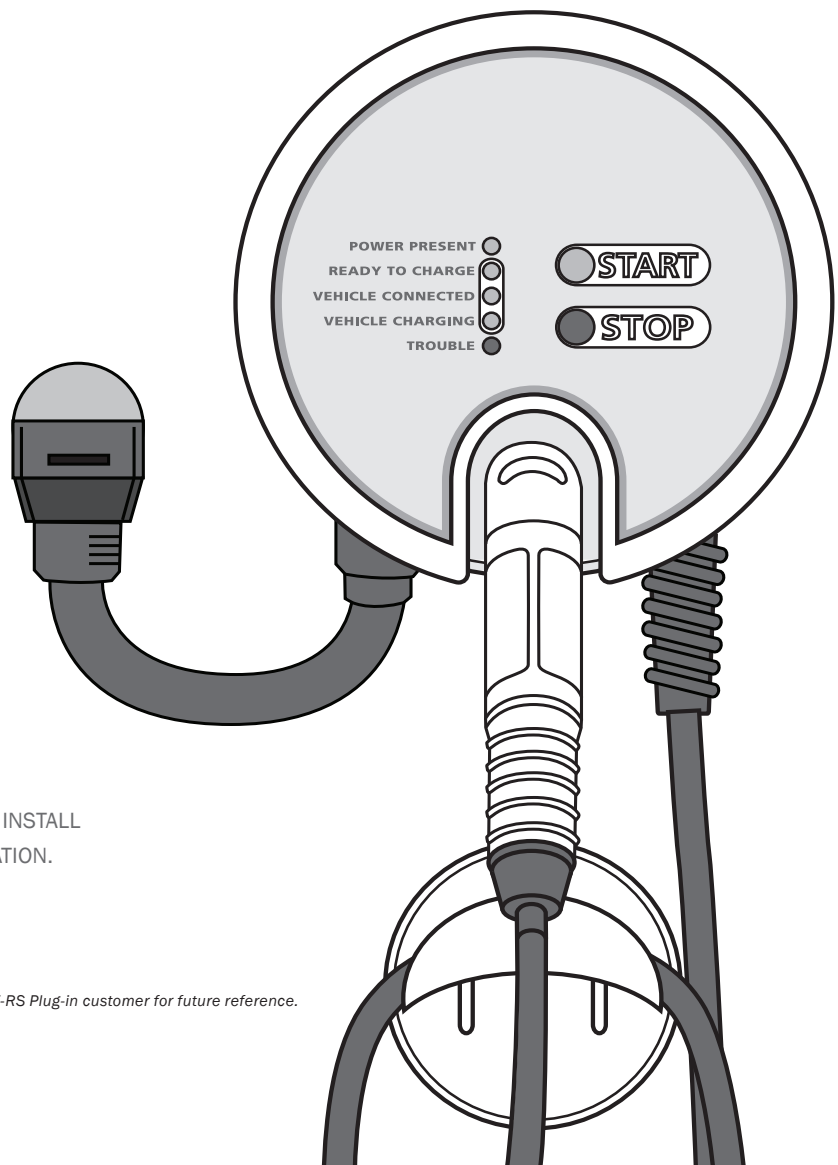


INSTALLATION GUIDE

AeroVironment EV Solutions™ EVSE-RS Plug-in Charging Station



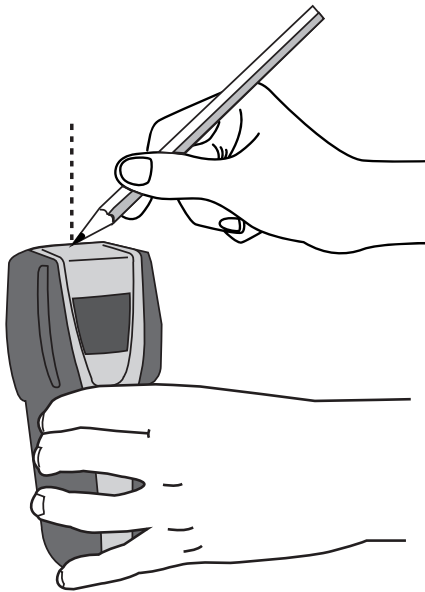
IT IS RECOMMEND THAT A LICENSED ELECTRICIAN INSTALL
THE ELECTRICAL SERVICE AND THE CHARGING STATION.

Model Plug-in EVSE-RS not for outdoor installation

NOTICE TO ELECTRICIAN: Leave this Installation Guide with the EVSE-RS Plug-in customer for future reference.

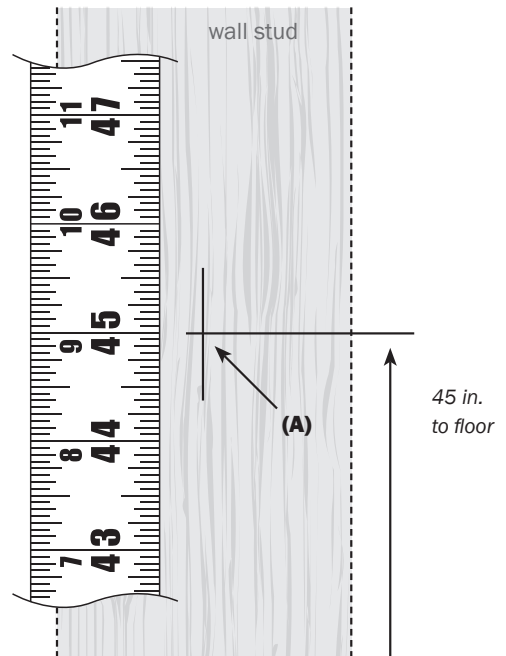
INSTALLATION STEPS

1



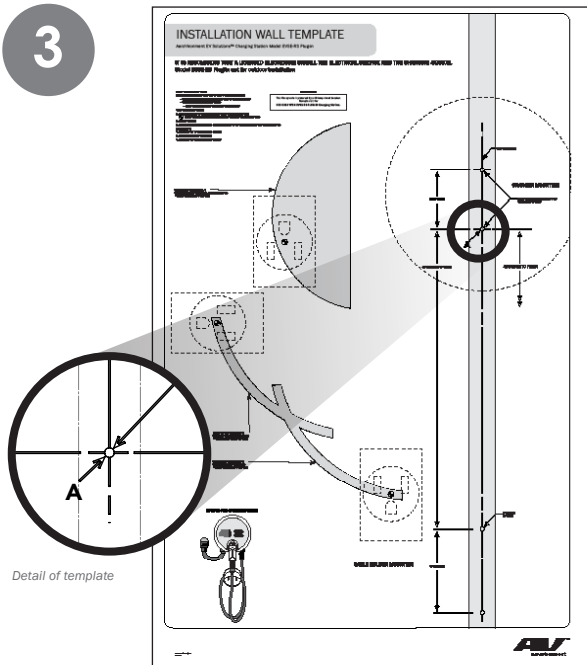
Use Stud Finder to locate wall stud.
Mark the center point of the wall stud.

2



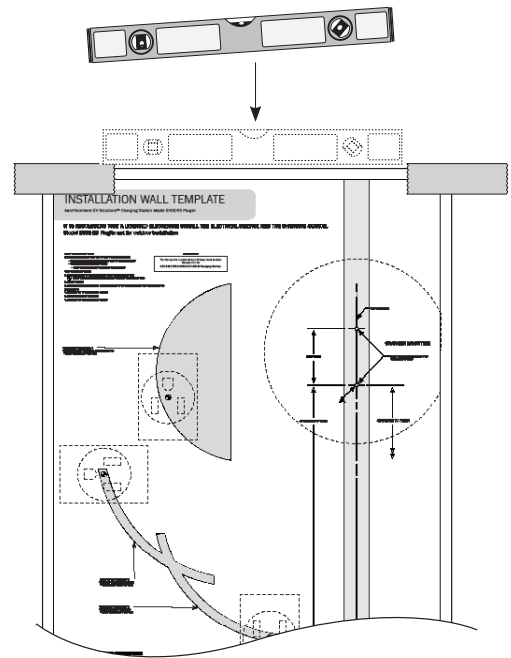
Measure and mark a point on the wall stud 45 inches from the floor.

3



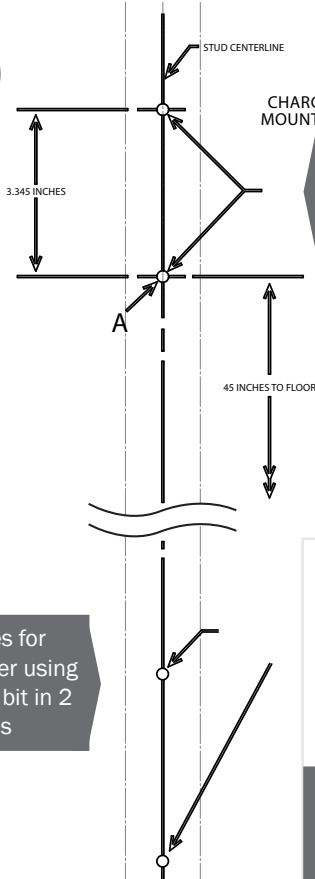
Pin Installation Template to the "center point mark" (Point A).

4



Use Level to straighten Installation Template.
Tape Template in place.
Install a 6-50 receptacle according to the allowable locations and orientation indicated on the Installation Template.

5

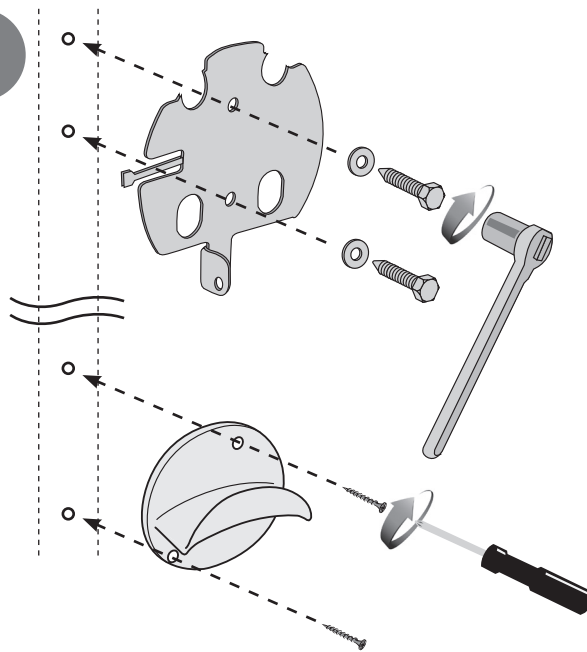


Drill holes for Mounting Plate using a $\frac{1}{4}$ inch drill bit, in 2 places on centerline of stud

Drill holes for Cable Hanger using $\frac{1}{8}$ inch drill bit in 2 places

Drill holes in Cable Hanger using $\frac{7}{32}$ inch drill bit in 2 places.

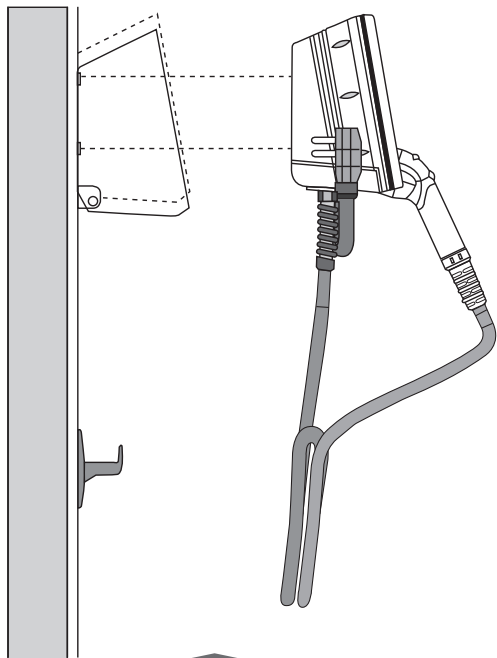
6



Using Socket Wrench, tighten Mounting Plate lag bolts and washers.

Using Phillips Screwdriver, tighten screws for Cable Hanger.

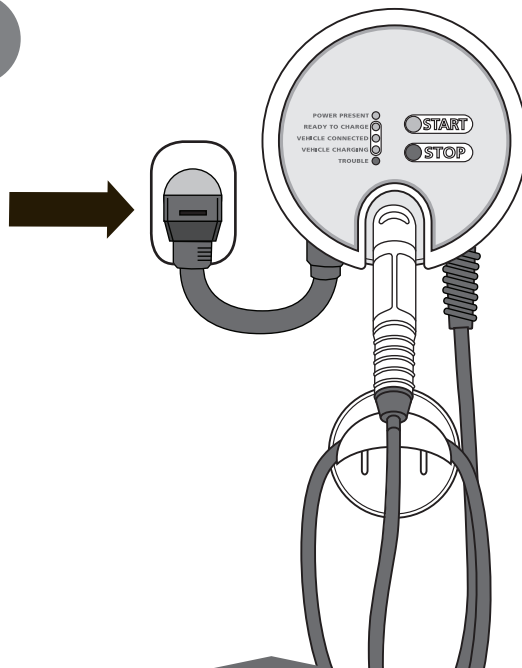
7



Position the station with the mounting bosses inserted into the corresponding openings in the plate.

Slide Charging Station down onto Mounting Plate to latch into place.

8

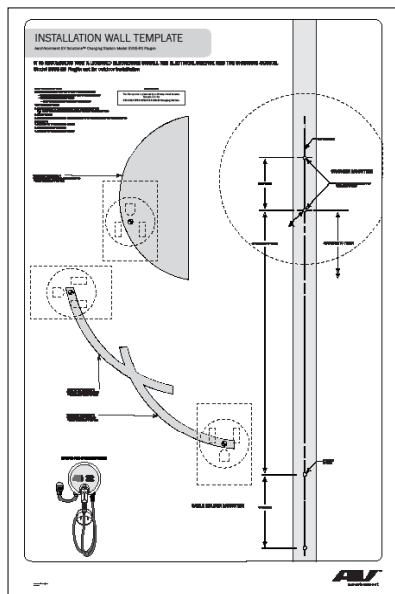


Turn off power to the Receptacle.

Plug the Charging Station into the Receptacle. Ensure that Plug is fully inserted into the Receptacle.

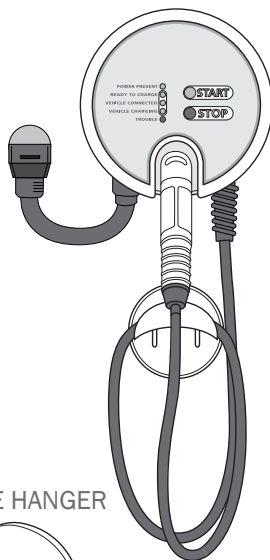
Turn on power to the Receptacle.

PACKAGING CONTENTS



INSTALLATION TEMPLATE

CHARGING STATION



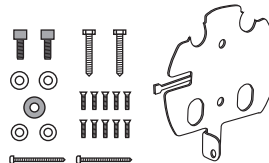
CABLE HANGER



QUICK START GUIDE



INSTALLATION GUIDE



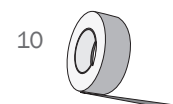
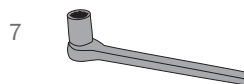
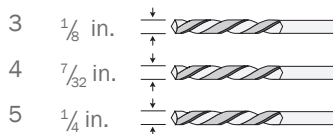
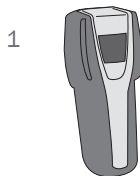
HARDWARE KIT

HARDWARE KIT CONTENTS

- 1 - Mounting Plate
- 2 - 3/8 inch x 2 1/2 inch Lag Bolts
- 2 - 3/8 inch Flat Washers
- 2 - #8 x 2 1/2 inch Painted Head Wood Screws

TOOLS (not included)

1. Electronic Stud Finder
2. Drill
3. 1/8 inch Drill Bit
4. 7/32 inch Drill Bit
5. 1/4 inch Drill Bit
6. Carpenter's Level
7. 9/16 inch Socket Wrench
8. #2 Phillips Screwdriver
9. Measuring Tape
10. Masking Tape
11. Push pin / Tack



CORPORATE HEADQUARTERS
 AeroVironment, Inc.
 ev@avinc.com • www.avinc.com/evsolutions

© 2012 AeroVironment, Inc. All rights reserved.
 AeroVironment, EVSE-RS Plug-in, EV Solutions, and the AeroVironment logo are trademarks of AeroVironment, Inc.

Corporate names, trademarks, registered trademarks, service marks, symbols, and logos stated herein are property of their respective companies.

Specifications are subject to change without notice. Images of the Charging Station Model EVSE-RS Plug-in are representative; production models may vary.

No portion of these materials may be duplicated, used or disclosed without prior written permission from AeroVironment, Inc.

Disclaimer: This Installation Guide includes the latest information available at the time of printing. AeroVironment, Inc. reserves the right to make changes to this user guide and/or product without further notice. Changes or modifications to this product not completed by an authorized service provider could void the product warranty.

Customer Support:
 1-888-833-2148



Free Manuals Download Website

<http://myh66.com>

<http://usermanuals.us>

<http://www.somanuals.com>

<http://www.4manuals.cc>

<http://www.manual-lib.com>

<http://www.404manual.com>

<http://www.luxmanual.com>

<http://aubethermostatmanual.com>

Golf course search by state

<http://golfingnear.com>

Email search by domain

<http://emailbydomain.com>

Auto manuals search

<http://auto.somanuals.com>

TV manuals search

<http://tv.somanuals.com>