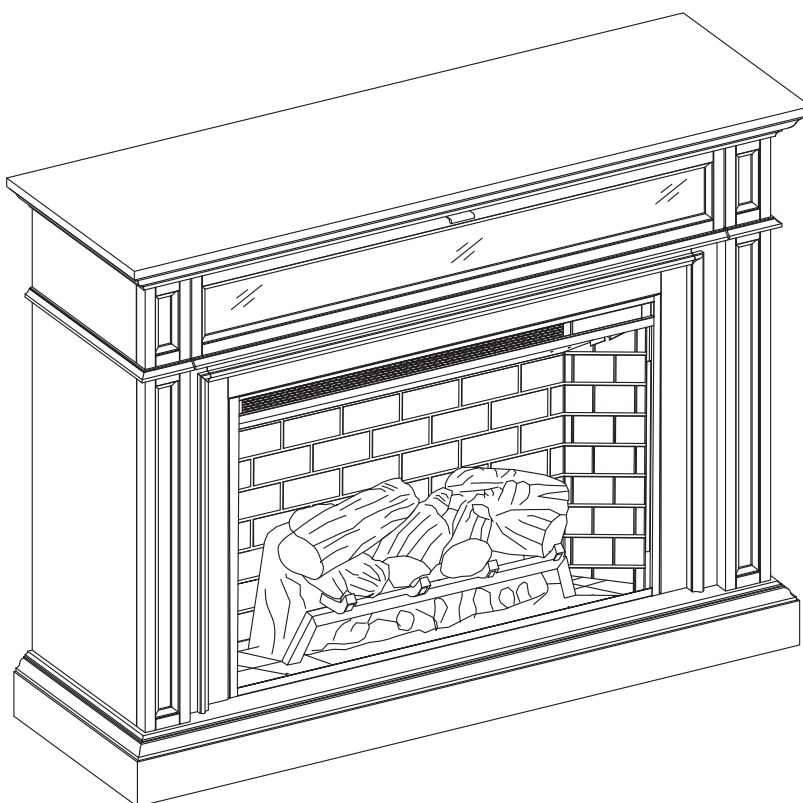


# ASSEMBLY INSTRUCTIONS

---

## ALANA 52 IN. INFRARED MEDIA ELECTRIC FIREPLACE



Questions, problems, missing parts?  
Before returning to the store, call Home Decorators Collection Customer Service  
8 a.m. - 7 p.m., EST, Monday - Friday, 9 a.m. - 6 p.m., EST, Saturday

**1-800-986-3460**

**[HOMEDEPOT.COM/HOMEDECORATORS](http://HOMEDEPOT.COM/HOMEDECORATORS)**

---

**THANK YOU**

*We appreciate the trust and confidence you have placed in Home Decorators Collection through the purchase of this fireplace console. We strive to continually create quality products designed to enhance your home. Visit us online to see our full line of products available for your home improvement needs. Thank you for choosing Home Decorators Collection!*

# Table of Contents

Table of Contents .....	2	Hardware Included.....	5
Safety Information .....	2	Package Contents .....	6
Important Instructions .....	2	Installation .....	7
Warranty .....	4	Change Door Panels (optional).....	12
Pre-Installation .....	5	Maximum Recommended Weight Loads.....	12
Planning Installation .....	5	Operating Instructions .....	13
Tools Required .....	5	Care and Maintenance .....	15
		Troubleshooting .....	16
		Service Parts.....	17

# Safety Information

Please read and understand this entire manual before attempting to assemble, operate or install the product.

## IMPORTANT INSTRUCTIONS

When using electrical appliances, basic precautions should always be followed to reduce the risk of fire, electric shock and injury to persons, including the following:

### DANGER:



- Read all instructions before using this heater.
- If the information in this manual is not followed exactly, an electric shock or fire may result causing property damage, personal injury or loss of life.
- This product is intended to fit most plasma and LCD televisions (up to 56 inches and weighing a maximum of 80 pounds). Using this item with loads heavier than the stated maximum can result in tipping and/or instability, which can result in injury or even death.

### WARNING:



- This appliance is hot when in use. To avoid burns, **DO NOT** let bare skin touch hot surfaces. Keep combustible material, such as furniture, pillows, bedding, papers, clothes and curtains at least 3 feet from this appliance and keep them away from the sides and rear.
- Extreme caution is necessary when any heater is used by or near children or individuals with disabilities and whenever the fireplace is left operating and unattended.
- **DO NOT** run cord under carpeting. **DO NOT** cover cord with throw rugs, runners, or similar coverings. **DO NOT** route cord under furniture or appliances. Arrange cord away from traffic areas and where it will not be tripped over.
- **DO NOT** insert or allow foreign objects to enter any ventilation or exhaust opening as this may cause an electric shock or fire, or damage the appliance.
- This appliance has hot and arcing or sparking parts inside. **DO NOT** use it in areas where gasoline, paint or flammable vapors or liquids are used or stored. This fireplace should not be used as a drying rack for clothing. Christmas stockings or decorations should not be hung in the area of it.
- Use this appliance only as described in the manual. Any other use is **NOT** recommended by the manufacturer and may cause fire, electric shock or injury to persons.

## Safety Information (continued)

### CAUTION:

- If possible, **ALWAYS** unplug this appliance when not in use.
- **DO NOT** operate any heater with a damaged cord or plug or after the heater malfunctions. **DO NOT** operate any heater if it has been dropped or damaged in any manner. Disconnect power at service panel and have heater inspected by a reputable electrician before reusing.
- Any repairs to this fireplace should be carried out by a qualified service person.
- Under no circumstances should this fireplace be modified. Parts having to be removed for servicing must be replaced prior to operating this fireplace again.
- **DO NOT** use outdoors.
- This heater is not intended for use in bathrooms, laundry areas and similar indoor locations. **NEVER** place heater where it may fall into a bathtub or other water container.
- To disconnect this appliance, turn controls to the off position, then remove plug from outlet.
- **ONLY** connect to properly grounded outlets.
- This appliance, when installed, must be electrically grounded in accordance with local codes, with the current CSA C22.1 Canadian Electrical Code or follow U.S.A. Installations, follow local codes and the National Electrical Code, ANSI/NFPA NO.70.
- To prevent a possible fire, **DO NOT** block air intakes or exhaust in any manner. **DO NOT** use on soft surfaces, like a bed, where opening may become blocked.
- The heaters **MUST NOT** be located immediately below a socket or outlet.
- **ALWAYS** plug heaters directly into a wall outlet / receptacle. **NEVER** use with an extension cord or re-loadable power tap (outlet / power strip).
- **DO NOT** slide insert on top of wood to avoid scratching wood surface.
- **DO NOT** place any object on top of the insert or block the air intakes / vents as this can cause the unit to overheat and could cause a fire.



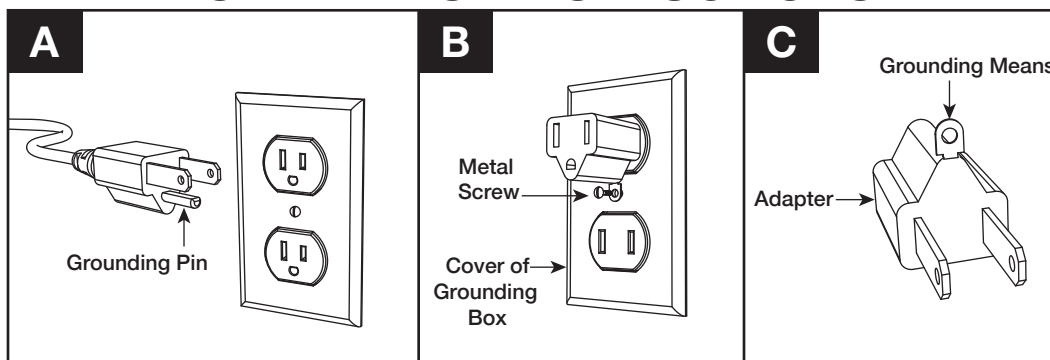
### Electrical Connection

- A 15-amp, 120-volt, 60 Hz circuit with a properly grounded outlet is required. Preferably, the fireplace will be on a dedicated circuit as other appliances on the same circuit may cause the circuit breaker to trip or the fuse to blow when the heater is in operation. The unit comes standard with 6-ft. three-wire cord, exiting from the rear of the fireplace. **DO NOT** exceed the current rating of the current tap.

### Grounding Instructions

- This heater is for use at 120 volts. The cord has a plug as shown below. See illustration or grounding instructions. An adapter as shown at C is available for connecting three-blade grounding type plugs to two-slot receptacles. The green grounding plug extending from the adapter must be connected to a permanent ground such as a properly grounded outlet box. The adapter should not be used if a three-slot grounded receptacle is available.

## SAVE THESE INSTRUCTIONS



# Warranty

---

The manufacturer warrants that your new electric fireplace is free from manufacturing and material defects for a period of one year from date of purchase, subject to the following conditions and limitations.

Install and operate this electric fireplace in accordance with the installation and operating instructions furnished with the product at all times. Any unauthorized repair, alteration, willful abuse, accident, or misuse of the product shall nullify this warranty.

This warranty is non-transferable, and is made to the original owner, provided that the purchase was made through an authorized supplier of the product.

The warranty is limited to the repair or replacement of part(s) found to be defective in material or workmanship, provided that such part(s) have been subjected to normal conditions of use and service, after said defect is confirmed by the manufacturer's inspection.

The manufacturer may, at its discretion, fully discharge all obligations with respect to this warranty by refunding the wholesale price of the defective part(s).

Any installation, labor, construction, transportation, or other related costs/expenses arising from defective part(s), repair, replacement, or otherwise of same, will not be covered by this warranty, nor shall the manufacturer assume responsibility for same.

The owner/user assumes all other risks, if any, including the risk of any direct, indirect or consequential loss or damage arising out of the use, or inability to use the product, except as provided by law.

All other warranties-expressed or implied-with respect to the product, its components and accessories, or any obligations/liabilities on the part of the manufacturer, are hereby expressly excluded.

The manufacturer neither assumes, nor authorizes any third party to assume on its behalf, any other liabilities with respect to the sale of the product.

The warranties as outlined within this document do not apply to non-accessories used in conjunction with the installation of this product.

This warranty is void if:

1. The fireplace is subjected to prolonged periods of dampness or condensation.
2. Any unauthorized alteration, willful abuse, accident, or misuse of the product.
3. You do not have the original receipt of purchase.

Contact the Customer Service Team at 1-800-986-3460 or [HOMEDEPOT.COM/HOMEDECORATORS](http://HOMEDEPOT.COM/HOMEDECORATORS).

# Pre-Installation

## PLANNING INSTALLATION

Before beginning assembly of product, make sure all parts are present. Compare parts with package contents list and hardware contents list. If any part is missing or damaged, do not attempt to assemble the product.

**Estimated Assembly Time:** 50 minutes.

**Tools Required for Assembly (not included):** Phillips screwdriver.

## TOOLS REQUIRED



Phillips  
screwdriver  
(not included)

## HARDWARE INCLUDED



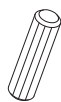
**NOTE:** Hardware not shown to actual size.



AA



BB



CC

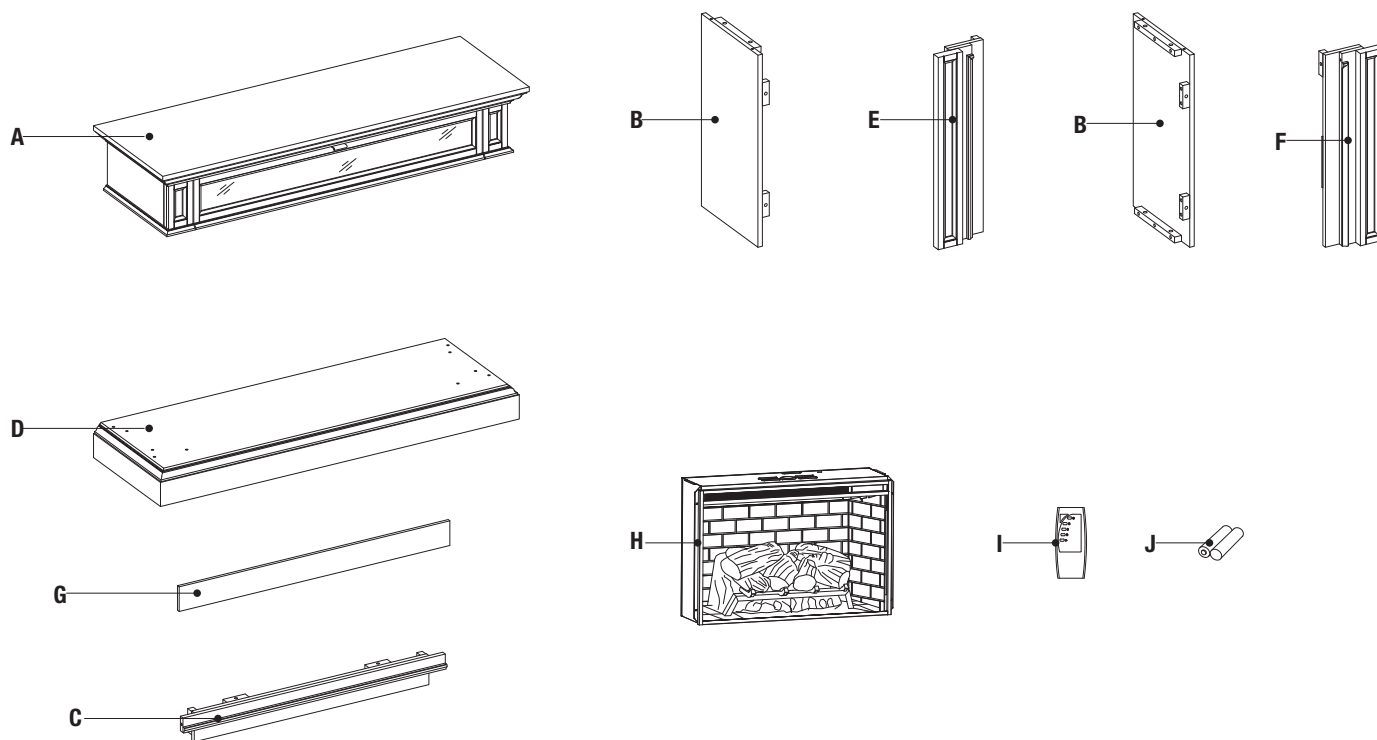


DD

Part	Description	Quantity
AA	Long Bolt	18
BB	Washer	18
CC	Wooden Dowel	10
DD	Touch-up Pen	1

# Pre-Installation (continued)

## PACKAGE CONTENTS

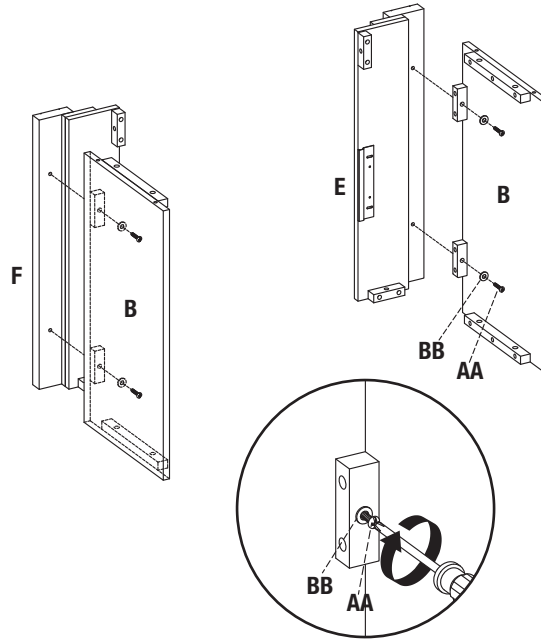


Part	Description	Quantity
A	Top	1
B	Outer Wall	2
C	Center Panel	1
D	Base	1
E	Left Front Panel	1
F	Right Front Panel	1
G	Wood Door Panel	1
H	Insert	1
I	Remote Control	1
J	Battery	2

# Installation

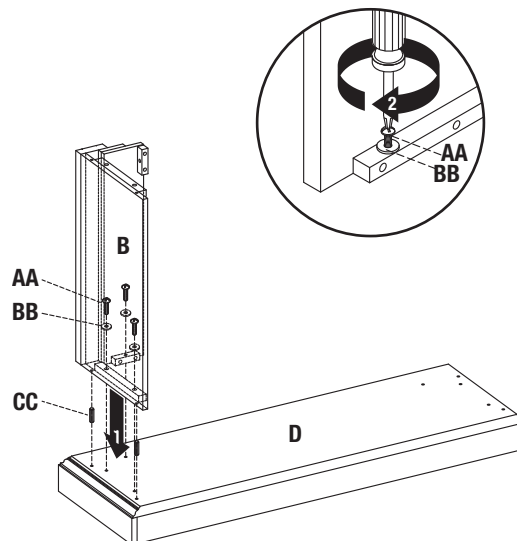
## 1 Install front panel

- From behind the assembly, align the holes on left front panel (E) with the corresponding holes on outer wall (B), securing with two washers (BB) and two long bolts (AA). Repeat for right front panel (F).



## 2 Install right outer wall

- Insert two wooden dowels (CC) into holes on right outer side of base (D). Place assembly from Step 1 onto base (D), securing with three washers (BB) and three long bolts (AA).



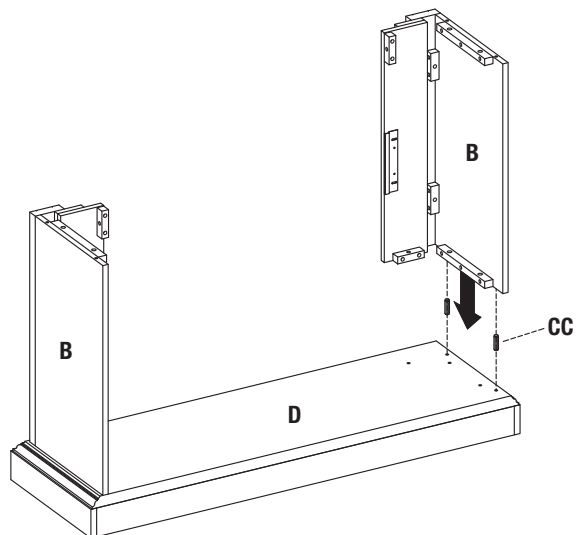
## Installation (continued)

### 3 Install left outer wall

- Insert two wooden dowels (CC) into holes on the left outer side of base (D). Attach outer wall (B).

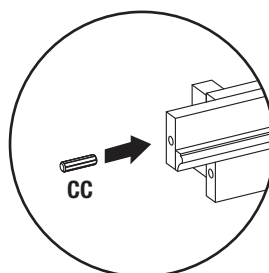
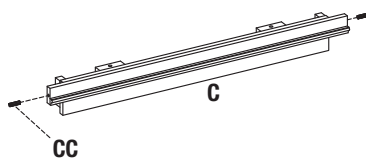


**NOTE:** Do not secure the left assembly yet until the center panel (C) is attached at step 5.



### 4 Install center panel

- Insert one wooden dowel (CC) into each side of center panel (C).

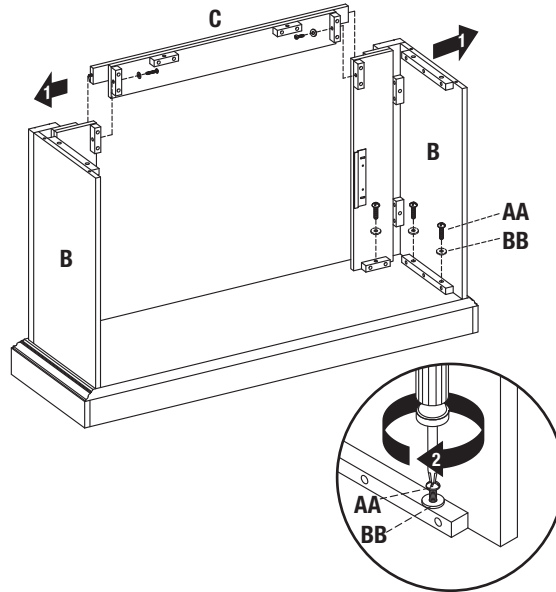




## Installation (continued)

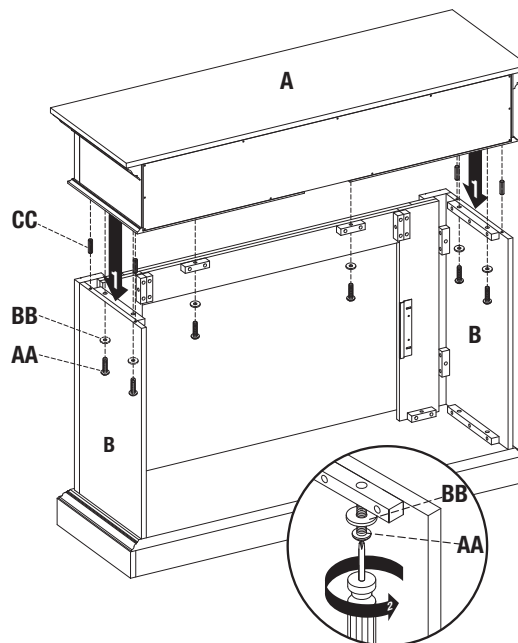
### 5 Install center panel

- Carefully position the center panel (C) into place between L/R front panels. Secure each side with one washer (BB) and one long bolt (AA), and use three washers (BB) and three long bolts (AA) to secure the left side panel assembly.



### 6 Install top

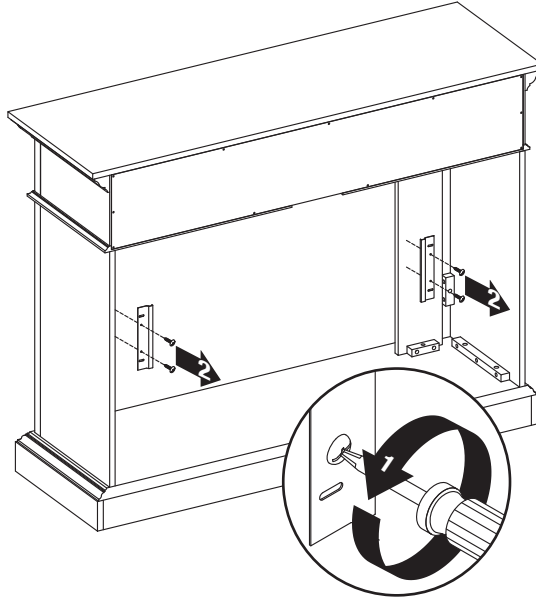
- Insert two wooden dowels (CC) into the top outer holes on both outer walls (B). Attach top (A), securing from underneath with six washers (BB) and six long bolts (AA).



## Installation (continued)

### 7 Remove insert brackets

- From behind the assembly, remove the preassembled insert brackets from the opening area. Save brackets and screws for future use.



### 8 Install insert

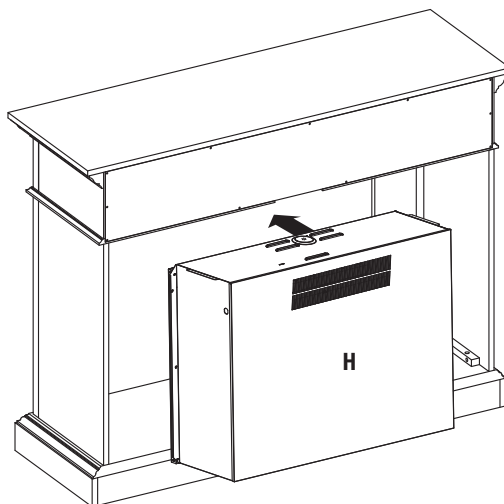


**NOTE:** Before proceeding to the next step, with the help of another person, move the mantel close to the final desired location. **DO NOT** plug insert (H) into power outlet yet.



**CAUTION:** **DO NOT** slide insert on top of wood to avoid scratching wood surface.

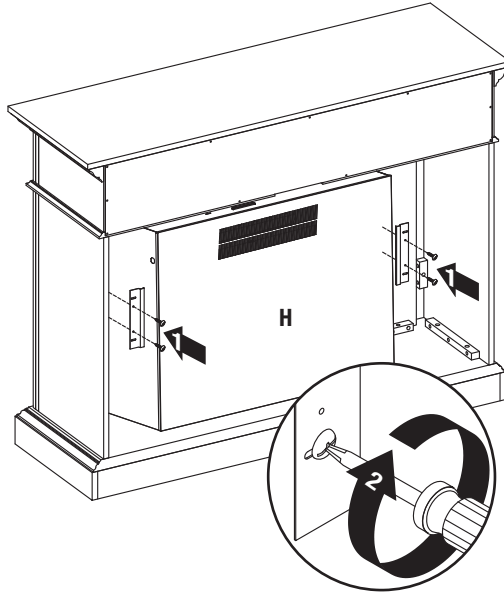
- With the help of another person, position insert (H) into middle opening of mantel assembly.



## Installation (continued)

### 9 Re-install insert brackets

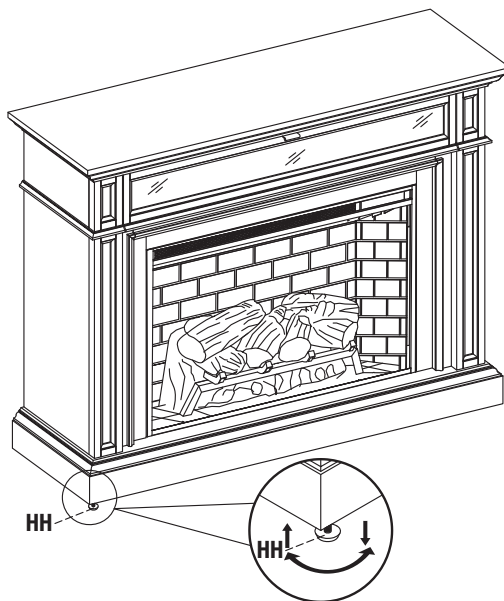
- Re-attach insert brackets with previously removed screws to secure insert (H). Assembly is now complete. With the help of another person, move the assembly to the final desired location. Once in final position, you may plug the insert (H) into the power outlet.



### 10 Adjust the levelers



**NOTE:** Use the pre-assembled levelers on the base of the fireplace to level the unit. Twist the levelers counterclockwise to increase the height, or twist the levelers clockwise to decrease the height.



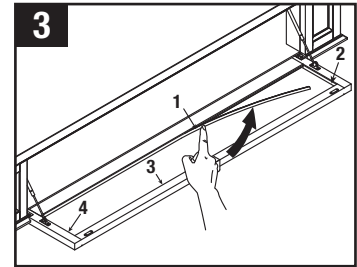
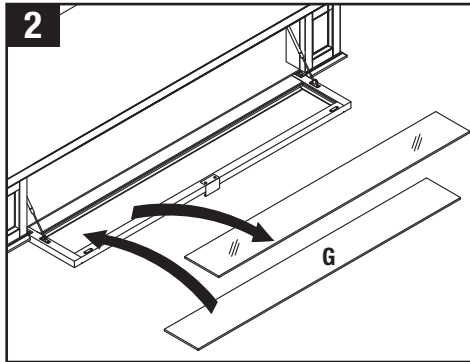
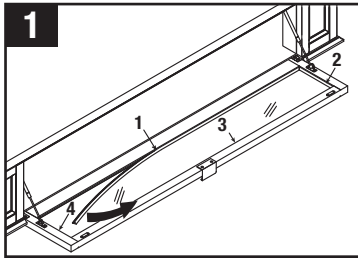
# Change Door Panels (optional)

## 1 Change door panels



**NOTE:** The pre-installed glass door panels can be switched out with the included wood door panel (G).

- Remove the silicone trim along the outer edges of the glass panel on the inside of the flip down door. Start at a corner and pull to remove the four pieces. Be careful not to damage the silicone trim, as it will be used to secure the new panel.
- Remove the glass panel from the door frame, then insert the included wood door panel (G).
- Using your finger, press the silicone trim back into place. Move around the outer edge of the panel until all four sides are secure.



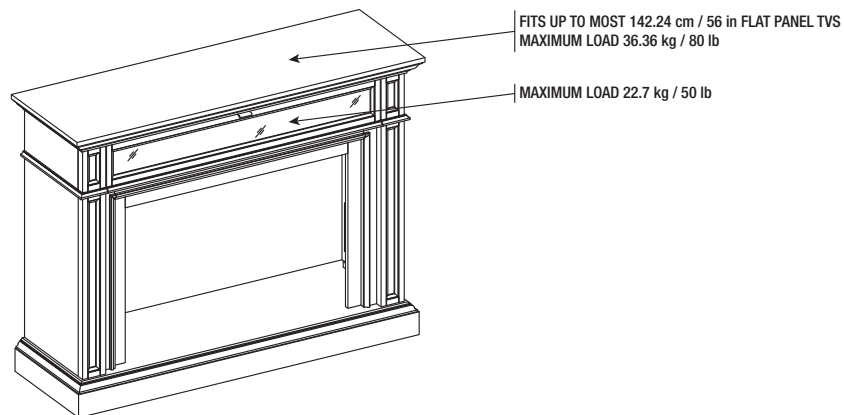
## Maximum Recommended Weight Loads



### WARNING

For use with televisions weighing 80 lbs or less.

Use with heavier televisions may result instability causing tip over resulting in death or serious injury.



SKU#1005202794/Model#1457FM-33-201

DISTRIBUTION: Greentouch Home Limited

ADDRESS: Room 4007, Central Plaza, 18 Harbour Road, Wanchai, Hong Kong

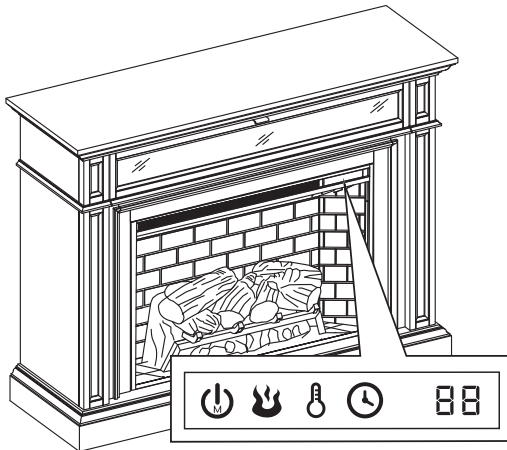
COUNTRY OF ORIGIN: VIETNAM

MANUFACTURE DATE: APR, 2020

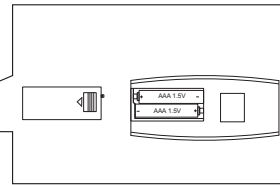
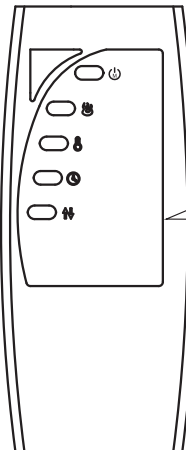
(This date is accordance with the actual manufacture date.)

# Operating Instructions

Control Panel



Remote Control



To use the remote control, first insert two AAA batteries (included) into the remote control. Ensure the polarities of the batteries match the inside of the battery compartment.



**NOTE:** The control panel is a touch screen. It will appear black. Touch the control panel once to “wake up” the controls. This will cause the controls to light up. Whichever icon you touch will display its last setting when you do this. At this time you can press the icon that corresponds with the function you would like to adjust. After 5 seconds the touch screen will fade to black.



## Power Function

- Press the POWER icon to turn the main power to the unit ON or OFF.
- When the unit is powered ON, the lights under the emberbed will glow to indicate the unit has power.
- If any functions are stored in memory, they will resume at the last setting.



## Flame Brightness Function

- Press the FLAME BRIGHTNESS icon to adjust the flame brightness.
- If the unit main power is OFF, you can press the FLAME BRIGHTNESS icon to power ON the unit and flame brightness will resume at the last setting.
- Press the FLAME BRIGHTNESS icon again to scroll up through the flame brightness settings: 1, 2, 3, 4, 5, OFF.



## Temperature Function

- If the unit is powered OFF, you can press the TEMPERATURE icon to power ON the unit. The emberbed will glow at the lowest brightness setting unless a different setting was saved in the memory.
- Press and hold the TIMER icon for 5 seconds to toggle between 5°F (3°C) increments and 1°F (1°C) increments when setting the temperature. The factory default temperature is 5°F (3°C) increments.



**NOTE:** This option is only available if using the control panel.

- Hold down the TEMPERATURE icon for 5 seconds to toggle between Fahrenheit and Celsius. An “F” or “C” will display next to the temperature.



**NOTE:** This option is only available if using the control panel.

- Press and hold the TEMPERATURE icon for 10 seconds to disengage the heater function. Press and hold the TEMPERATURE icon for 10 seconds again to engage the heater function. (See HEATER OVERRIDE section below for more details).

# Operating Instructions (continued)



## Increase/Decrease Button



**NOTE:** This option is only available if using the remote control.

- Press the INCREASE/DECREASE button to adjust the heater's thermostat setting.
- Press the INCREASE/DECREASE button again to scroll up through the pre-set temperature settings: The thermostat setting range is 65°F (18,3°C) to 90°F (32,2°C), HI (High).
- Set the temperature to "HI" to have the heater run continually.



## Timer Function

- Press the TIMER icon to set the countdown for the unit's main power.
- If the unit is powered OFF, you can press the TIMER icon to power ON the unit. The emberbed will glow at the lowest brightness setting unless a different setting was saved in the memory.
- Press the TIMER icon again to scroll through the timer settings, which are: 30, 1H, 2H, 3H, 4H, 5H, 6H, 7H, 8H, 9H, OF. (30 means 30 minutes, OF means OFF)
- When the timer reaches zero, it will turn OFF the main power and will maintain all the settings in memory.

## HEATER OVERRIDE

The power to the heater can be disengaged to prevent the heater from being accidentally or unintentionally powered on. This feature is primarily added to help prevent children from powering on the heater when it is not desired.

- To engage the heater override function, press and hold the TEMPERATURE icon for 10 seconds. The symbol E3 will display. The heater function is now locked. If the TEMPERATURE icon is pressed again E3 will appear then fade. The Flame and Timer functions will operate normally. Only the heater and blower are disengaged.
- To unlock the heater function, press and hold the TEMPERATURE icon for 10 seconds. The symbol E3 will display. The heater function is now engaged. Press the TEMPERATURE icon again to adjust the heat to your desired temperature.

## MEMORY FUNCTION

This unit has a memory function that allows you to turn off the MAIN POWER and retains all the other function settings (excluding the TIMER function).

- When the unit's main power is OFF, press the POWER icon once on the insert control panel or on the remote control to power the unit ON and "wake up" the individual function at the last setting. Press the icon again to adjust it and press the main POWER icon on the insert or on the remote control to turn the unit OFF and save the new setting into memory.
- When the unit is powered ON, the LED readout will show the saved temperature setting. If a temperature setting was not saved, it will show the flame brightness setting saved in memory. If neither one has a setting saved to memory, then only the emberbed will glow (as a power light indicator).
- To reset the memory, hold down the main POWER icon for 10 seconds at any time. The LED readout will blink with two zeros three times and the unit will be shut down.
- Another way to reset the memory is to unplug the unit from the wall.

## Care and Maintenance

- Make sure the unit is turned OFF and unplugged, and that the heating elements of heater are cool whenever you are cleaning the heater or fireplace.
- Clean the metal trim using a water-dampened soft, clean cloth. DO NOT use brass polish or household cleaners as these products will damage the metal trim.
- The motors used on the fan and the flame generator assembly are pre-lubricated for extended bearing life and require no further lubrication. However, periodic cleaning/vacuuming of the fan/heater and air intake/output vents is recommended.
- When the heater is not in use, the power cord should be stored properly to avoid contact with hot or sharp objects.
- Any other servicing should be performed by an authorized service representative.
- Tips for using touch-up pen (DD): For scratches, stroke in direction of scratch. For worn areas, stroke in the direction of wood grain. Rub excess colorant promptly with a soft cloth.

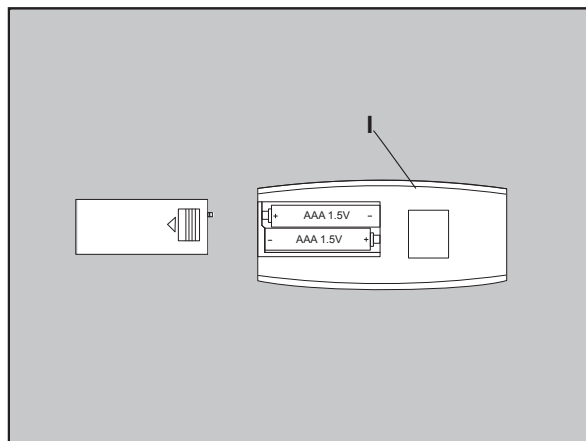
### Replacing the Remote Control Batteries

When the remote control (I) stops operating or its range seems reduced, it is time to replace the batteries.



**NOTE:** The batteries should be removed if the product is to be left unused for a long time.

1. Locate the battery compartment on the back of the remote control (I).
2. Remove battery cover from the back of remote control (I) and remove the old batteries.
3. Insert 2 AAA batteries, ensuring the polarities of the batteries match the inside of the battery compartment.
4. Re-insert the battery door.



**NOTE:** Do not mix old and new batteries.

Do not mix alkaline, standard (carbon zinc), or rechargeable (nicad, nimh, etc.) batteries.

Do not attempt to recharge non-rechargeable batteries. Remove exhausted batteries from the product.

Harmful if swallowed.

### Disposal of Used Batteries



A battery may contain hazardous substances that could endanger the environment and human health.

- This symbol marked on the battery and/or packaging indicates that used battery shall not be treated as municipal waste. Instead it shall be left at the appropriate collection point for recycling.
- By ensuring the used battery is disposed of correctly, you will help prevent potential negative consequences for the environment and human health. The recycling of materials will help to conserve natural resources.
- Do not dispose of batteries in fire. Batteries may explode or leak.

For more information about collection and recycling of used batteries, please contact your local municipality, your waste disposal service or the point-of-sale where you purchased this battery.



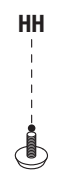
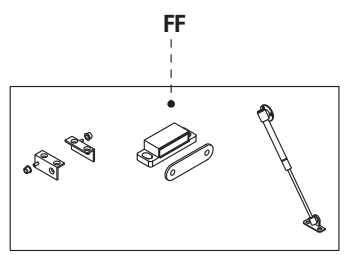
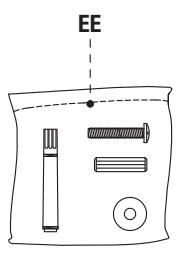
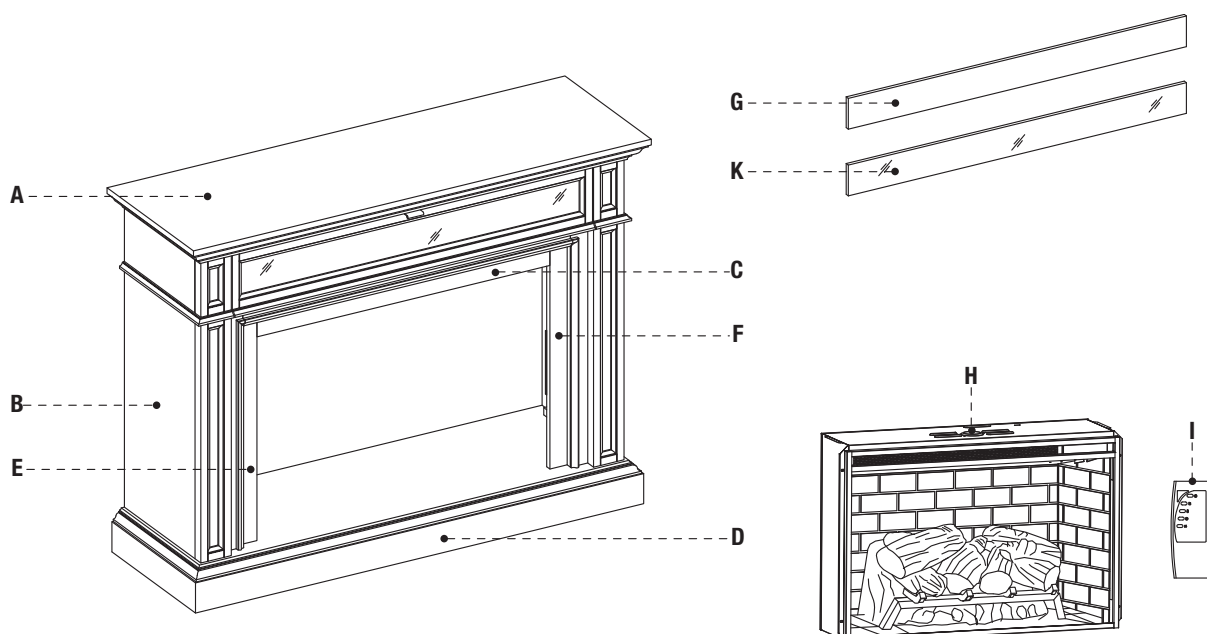
# Troubleshooting

Problem	Possible cause	Solution
The error E1 displays on the control panel.	The overheat sensor has been engaged.	Unplug unit, wait 15-20 minutes, then the sensor will reset itself. Plug the unit back in and turn on the heater. If the problem persists, call customer service.   <b>NOTE:</b> The other functions will work normally excluding the heater. Until the problem is solved, the error will only appear/sound when the heater button is pressed.
The error E2 displays on the control panel.	The thermostat sensor is broken or not working correctly.	Unplug unit, wait 15-20 minutes, then the sensor will reset itself. Plug the unit back in and turn on the heater. If the problem persists, call customer service.   <b>NOTE:</b> The other functions will work normally excluding the heater. Until the problem is solved, the error will only appear/sound when the heater button is pressed.
The error E3 displays on the control panel.	The heater override function is engaged.	To unlock the heater, simply press and hold the temperature button for 10 seconds (See page 14, Heater Override section, for more details).
The fireplace doesn't turn on; logs do not glow.	The unit does not have power.	Check that the power cord is securely plugged into a standard 120V outlet. Then check to make sure the unit is powered on.
There is no flame effect, but logs are glowing.	The flame effect is powered off.	Push the flame brightness button until desired level is achieved.
The heater and blower do not power on, but the rest of functions are working.	The heater override function is engaged.	To unlock the heater, simply press and hold the temperature button for 10 seconds (See page 14, Heater Override section, for more details).
The power cord gets warm to the touch.	This is normal operation.	This is normal for a heater appliance, as it requires more current to operate. Check the connections of the appliance cord and the outlet. Make sure the plug fits tightly into the outlet. During use, check the plug and outlet frequently to determine if it is HOT; if so, discontinue use of the appliance and consult a qualified electrician to check or change the overheating outlet(s).
The remote control does not work.	The batteries are weak or failing.	Replace with 2 AAA batteries (See page 15 for more information.)
The remote control signal is weak and only works sometimes.	The buttons are being pressed too quickly.	Press the buttons slowly and steadily to ensure the transmitter recognizes the request.
	The remote control is being used from too far away, or at an improper angle.	Move closer to the insert; the remote control will only work within a distance of 20 feet and 45 degrees to either side from the front of the fireplace insert.
The fan motor continues to blow after unit is powered off.	This is normal operation.	This is a standard feature; the blower runs for an additional time to cool off heater tubes.



# Service Parts

## MODEL TYPE



Part	Description	Part #
A	Top	1457FM-33-201-TOP
B	Outer Wall	PF-1457FM-33-201-OUTER WALL
C	Center Panel	1457FM-33-201 INSERT SURROUND SET
E	Left Front Panel	
F	Right Front Panel	
D	Base	PF-1457FM-33-201-BASE
H	Insert	3322-FG-BG
I	Remote Control	PU18-33CB-RC
G	Flip-Down Door Center Panels	PH-1457FM-33-201-CENTER PANELS
K		

Part	Description	Part #
EE	KD Hardware Pack	PH-1457FM-33-201
FF	Flip-Down Door Hardware Set	PU17-1267FM-II/JJ/LL
GG	Flip-Down Door Handle	1457FM-33-HANDLE-WHT
HH	Leveler	T-1007
II	Insert Mounting Bracket (with screws)	INSERT-SIDE-MB

**HOME  
DECORATORS  
COLLECTION®**

Questions, problems, missing parts? Before returning to the store,  
call Home Decorators Collection Customer Service  
8 a.m. - 7 p.m., EST, Monday - Friday, 9 a.m. - 6 p.m., EST, Saturday

**1-800-986-3460**

**[HOMEDEPOT.COM/HOMEDECORATORS](https://www.homedepot.com/homedecorators)**

Retain this manual for future use.

## Free Manuals Download Website

<http://myh66.com>

<http://usermanuals.us>

<http://www.somanuals.com>

<http://www.4manuals.cc>

<http://www.manual-lib.com>

<http://www.404manual.com>

<http://www.luxmanual.com>

<http://aubethermostatmanual.com>

Golf course search by state

<http://golfingnear.com>

Email search by domain

<http://emailbydomain.com>

Auto manuals search

<http://auto.somanuals.com>

TV manuals search

<http://tv.somanuals.com>