

READ BEFORE USE

使用前阅读

Visit www.hamiltonbeach.cn for delicious recipes, tips, and to register your product online!



有关美味食谱、生活小贴士和产品
在线注册的更多信息，请访问
www.hamiltonbeach.cn。

Questions?

**Please call us – our friendly
associates are ready to help.
China: 800-820-6565**

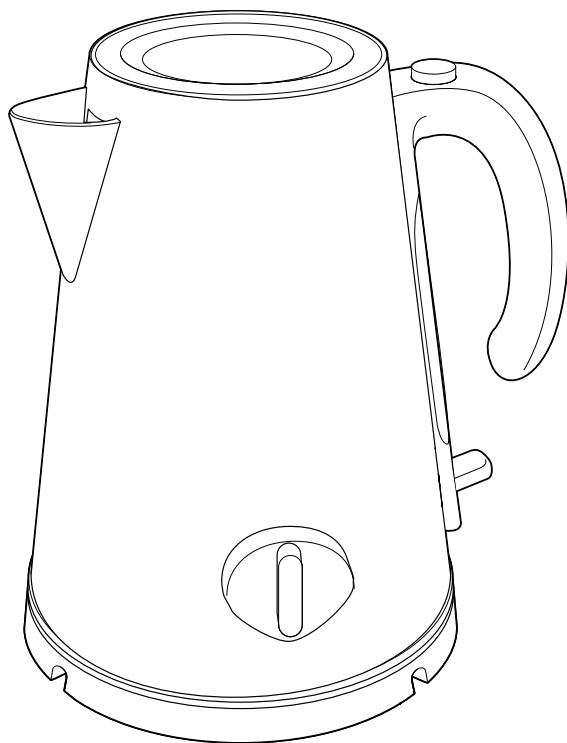
如有疑问?

**请致电我们，我们的团队
随时准备为您提供帮助。
中国：800-820-6565**

使用本设备前，我们建议您仔细阅读这
些说明。

**Hamilton
Beach®**

Electric Kettle
电热水壶



English 2
简体中文8

IMPORTANT SAFEGUARDS

When using electrical appliances, basic safety precautions should always be followed to reduce the risk of fire, electric shock, and/or injury to persons, including the following:

1. Read all instructions.
2. Do not touch hot surfaces or hot water. Use handles or knobs. Care must be taken as burns can occur from touching hot parts or from spilled, hot liquid.
3. To protect against fire, electric shock, and injury to persons, do not immerse cord, plug, power base, or electric kettle in water or other liquid.
4. Close supervision is necessary when any appliance is used by or near children.
5. Unplug from outlet when not in use and before cleaning. Allow to cool before putting on or taking off parts and before cleaning the appliance.
6. Do not operate any appliance with a damaged cord or plug, or after the appliance malfunctions or is dropped or damaged in any manner. Call our toll-free number for information on examination, repair, or adjustment.
7. The use of accessory attachments not recommended by the appliance manufacturer may result in fire, electrical shock, or personal injury.
8. Do not use outdoors.
9. Do not let cord hang over edge of table or counter or touch hot surfaces, including the stove.
10. Do not place electric kettle on or near a hot gas or electric burner or in a heated oven.
11. To disconnect electric kettle, turn any control to OFF (O) and then remove plug from wall outlet. Never pull on the cord to remove the plug from an outlet as this can damage the cord and cause a risk of fire and electric shock.
12. Do not use appliance for other than intended use.
13. Do not use for other than heating water. Other liquids or food will contaminate the interior and void warranty.
14. Do not allow kettle to boil dry.
15. To avoid circuit overload, do not operate another high-wattage appliance on the same circuit.
16. Scalding may occur if the lid is opened during the heating cycle.
17. Be certain kettle lid is securely in place during operation and when pouring hot water. Do not use force when placing lid on kettle.

SAVE THESE INSTRUCTIONS!

OTHER CONSUMER SAFETY INFORMATION

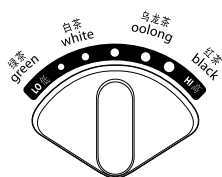
This appliance is intended for household use only.

The length of the cord used on this appliance was selected to reduce the hazards of becoming tangled in or tripping over a longer cord. If a longer cord is necessary, an approved extension cord may be used. The electrical rating of the extension cord must be equal to or greater

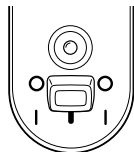
than the rating of the appliance. If the appliance is of the grounded type, the extension cord should be a grounding-type, 3-wire cord. Care must be taken to arrange the extension cord so that it will not drape over the countertop or tabletop where it can be pulled on by children or accidentally tripped over.

Parts and Features

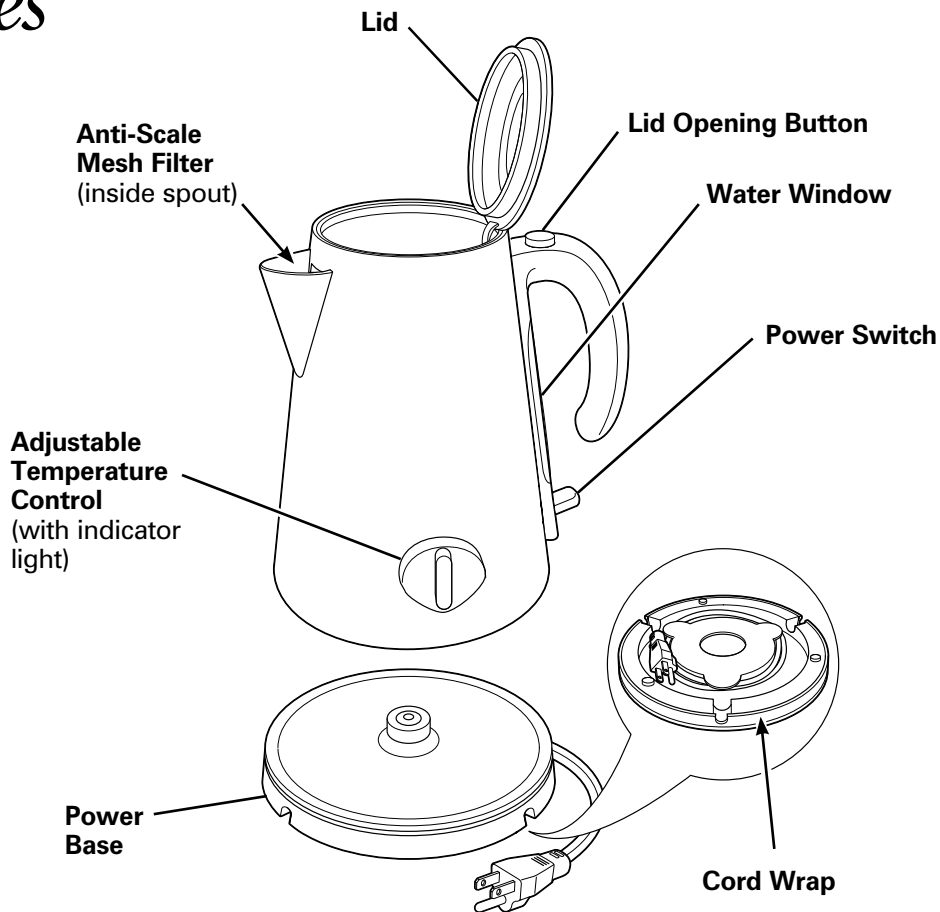
Adjustable Temperature Control



Power Switch (with indicator light)



NOTE: Press power switch down to turn the kettle ON (I). The red indicator light will come on. When the water is heated and ready, the power switch will flip to the OFF (O) position and the indicator light will turn off.

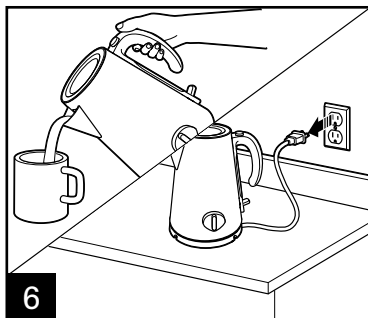
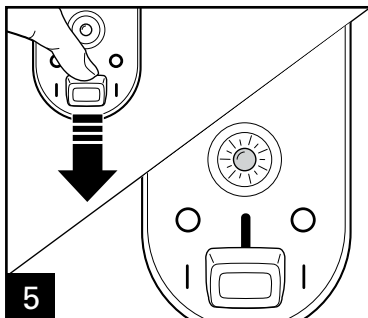
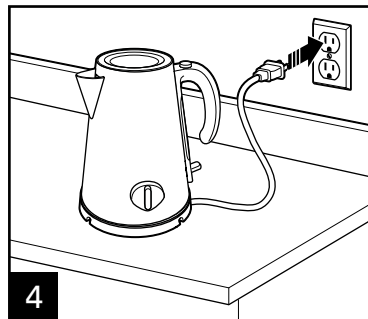
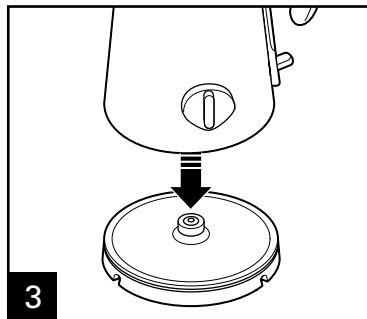
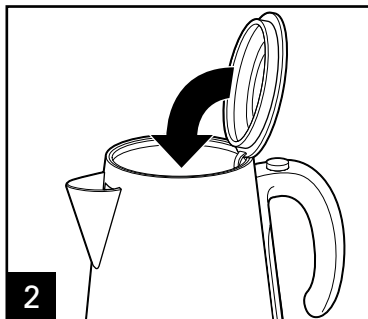
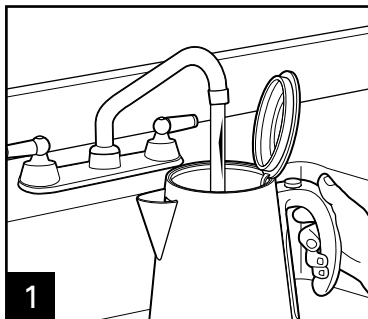


Using the Electric Kettle

CAUTION

Burn Hazard.

Do not overfill kettle. Boiling water may spit out of the spout.



NOTE: Press power switch down to turn the kettle ON (I). The red indicator light will come on. When the water is heated and ready, the power switch will flip to the OFF (O) position and the indicator light will turn off.







NOTE: Only use kettle to heat water. If kettle is used to heat other liquids, such as coffee or tea, the warranty will be voided.

Tea Guide

- Bring filtered or good-tasting tap water to a boil in the kettle. Use 6 ounces of water per cup of tea.
- If using loose tea instead of tea bags, measure 1 rounded teaspoon of tea per cup into an infuser and place the infuser in the cup. If no infuser is available, put the tea directly into the cup.
- Pour heated water directly over the tea. For stronger tea, add more leaves rather than infusing longer than is recommended.

NOTE: Tea that is oversteeped will become bitter.

Recommended Temperature Settings and Steeping Times

Green	White	Black	Oolong	Darjeeling	Herbal
					
Lo	Med-Low	Hi	Med-Hi	Med-Hi	Hi
1–3 Min.	3–4 Min.	3–5 Min.	3–5 Min.	3–5 Min.	5 Min.

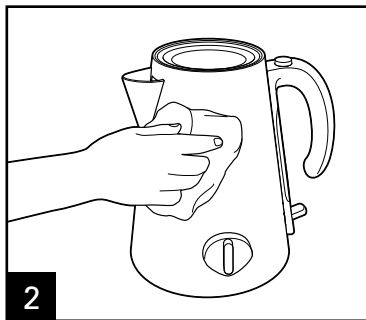
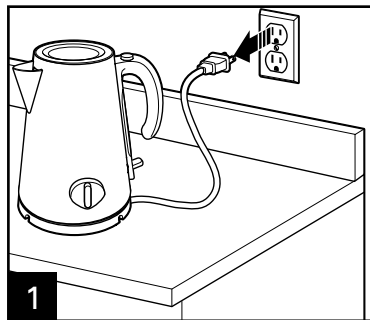
NOTE: Recommended temperature settings are based on brewing a full pot of water and can vary depending on a number of factors, such as altitude, impurities in the water, and the amount of water in the kettle.

How to Clean



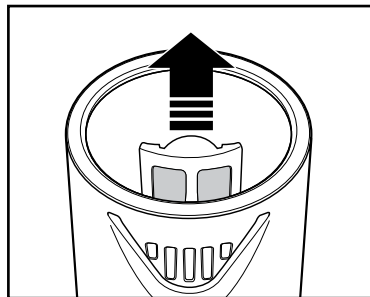
WARNING

Electrical Shock Hazard. Do not immerse kettle, power base, or plug in water or any other liquid.



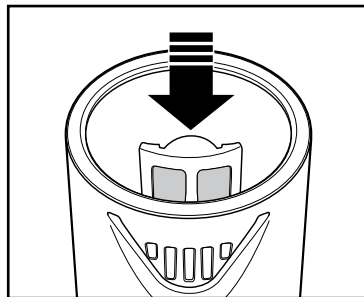
1. With kettle unplugged, empty any remaining water and rinse. Allow kettle to cool. To avoid scale/lime deposit buildup, empty kettle after each use.
2. To remove discoloration or scale/lime deposit from heating element: Place 1/2 teaspoon cream of tartar (available in the spice aisle of grocery store) into the kettle. Then fill the kettle 1/2 full with water. Plug in, turn ON (I), and bring to boil. Turn OFF (O), let cool, and rinse several times with clean tap water.
3. Wipe the exterior of kettle with a damp cloth. Do not use abrasive scouring pads or powders since they may scratch the smooth surface of the kettle.

To Remove Mesh Filter:



The mesh filter is visible through the kettle lid opening. Pull upwards on the tab to remove. Rinse filter periodically.

To Replace Mesh Filter:



To replace, slide the filter back into the slot, ensuring the tab is facing inwards. The filter will fit only one way.

Troubleshooting

PROBLEM

Kettle boils dry.

PROBABLE CAUSE

If your kettle is accidentally switched on without being filled with water, or is allowed to boil dry, the kettle will shut off automatically. You should:

- Turn the switch to OFF (O), unplug, and wait about 15 minutes for the element to cool down.
- Refill the kettle; then use as normal and check that the kettle functions correctly.

Kettle does not work.

Make these simple checks before calling the toll-free customer assistance number:

- Have you turned power switch to ON (I) position?
- If the kettle heats but does not boil, it might need descaling.
- Has the kettle been accidentally switched on without being filled with water or allowed to boil dry? Turn the switch to OFF (O), wait 15 minutes, and try again.
- Is cord firmly plugged into the outlet?

Kettle floor discolors.

It is normal for stainless steel heating elements to discolor. This does not affect the performance of the kettle. Do not use abrasive scouring pads or cleaners since this may damage the stainless steel surface.

重要安全说明

在使用该设备时，为减少火灾、电击和/或人身伤害的危险，应始终遵守基本的安全防范措施，包括以下内容：

1. 使用前阅读所有说明。
2. 请勿接触发热表面。应使用手柄或旋钮。请注意，接触发热部件或溢出的热液体有烫伤的危险。
3. 为防止火灾、电击和人身伤害，请勿将电源线、插头、底座或电热水壶浸入水中或其他液体中。
4. 使用或在儿童附近使用该设备时，一定要密切监督。
5. 不使用与清洁时，请拔下电源插头。拆装部件前以及清洁前，必须让设备冷却。
6. 在下列情况下，请勿使用设备：电源线或插头破损、或设备出现故障后、设备曾跌落或已经出现任何形式的损坏。请拨打我们的免费售后服务电话，咨询有关电器检查、修理或调整的相关信息。
7. 使用非设备制造商推荐的配套附件可能会导致火灾、电击或人身伤害。
8. 请勿户外使用。
9. 请勿将电源线搭置在桌台边缘上以及与发热表面接触。
10. 请勿将电热水壶靠近或放置在燃气或电炉上，或放进加热烤箱内。
11. 断开电源前，将所有的控制器调整到 OFF (O) 位置，然后从壁装电源插座中拔下插头。从插座上拔下插头时，禁止直接拉拽电源线，否则会损坏电源线、导致火灾与电击的危险。
12. 请勿将设备用作其他非预期用途。
13. 除水外，请勿加热其他物质。其他液体或食物会损坏设备内部，并致使保修无效。
14. 请勿干烧热水壶。
15. 为防电路过载，请勿在此电器的同一电路上使用其他高功率电器。
16. 加热过程中如果打开壶盖，有烫伤的危险。
17. 在操作过程中以及倾倒热水时，务必盖牢热水壶盖。盖盖时，请勿用力。

请妥善保管这些说明！

其他用户安全信息

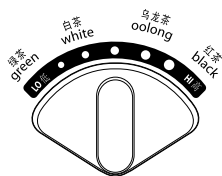
本产品仅限家庭使用。

本设备电源线的长度设计考虑减少长电源线缠绕或绊倒的危险。倘若需要更长的电源线，可使用批准的电源延长线。电源延长线的额定功率必须等于或大于此设备的额定功率。如果该设备配有接地型电源线，电源延长线也

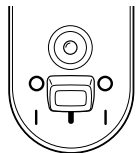
必须使用接地型3相电源线。电源延长线使用时需特别注意，以防将其搭设在工作台或桌面上，造成儿童扯拉或绊倒他人。

部件和功能

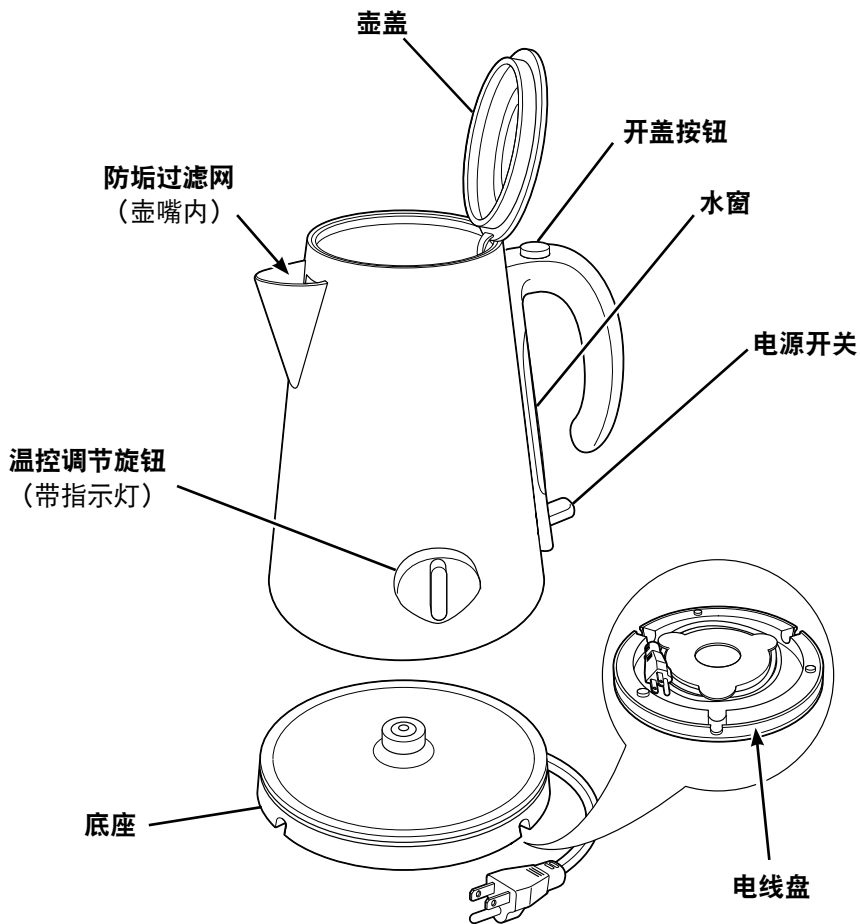
温控调节旋钮



电源开关
(带指示灯)



注意：按下电源开关即可将水壶置于开启 ON (I) 状态。红色指示灯亮起。水煮好后，电源开关跳至 OFF (O) 位置，指示灯熄灭。

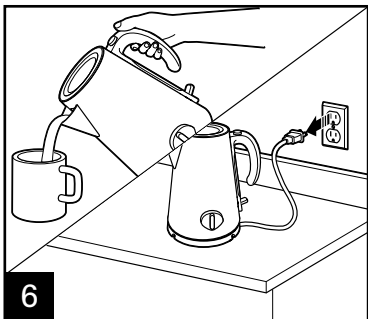
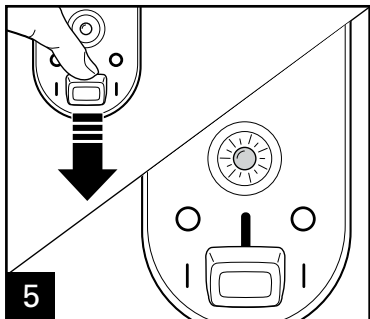
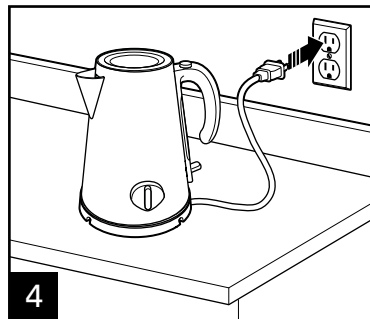
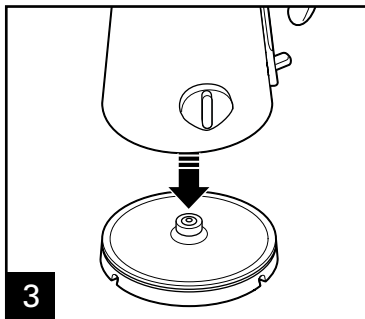
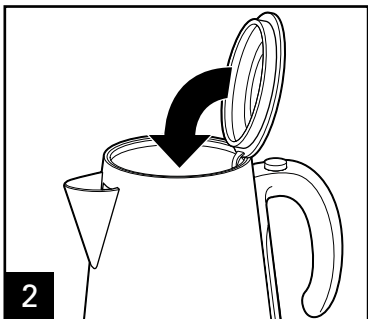
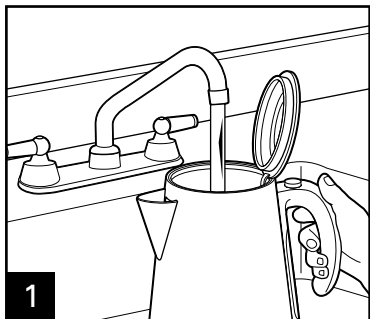


电热水壶使用方法

⚠ 注意

灼烧危险。

加水不可超过标示的最高水位，否则沸腾的水可能会从壶嘴喷出。



注意：按下电源开关即可将水壶置于开启 ON (I) 状态。红色指示灯亮起。水煮好后，电源开关跳至 OFF (O) 位置，指示灯熄灭。







注意：水壶仅限用于煮水。如果用水壶加热其他液体，如咖啡或茶，保修将会失效。

泡茶指南

- 将过滤水或口感佳的自来水注入水壶，煮至沸腾。每杯茶需6盎司热水。
- 如果使用散装茶叶而不是袋装茶叶，每杯请量取一满茶匙茶叶放入泡茶器，然后将泡茶器放入茶杯中。如果没有泡茶器，直接将茶叶放入茶杯中。
- 直接将热水倒在茶叶上。对于泡制浓茶，建议放入更多茶叶而不是泡制更长时间。

注意：浸泡过久的茶会有些苦味。

推荐的温度设置和浸泡时间

绿茶 Green	白茶 White	红茶 Black	乌龙茶 Oolong	印度红茶 Darjeeling	花茶 Herbal
					
Lo	Med-Low	Hi	Med-Hi	Med-Hi	Hi
1-3 Min.	3-4 Min.	3-5 Min.	3-5 Min.	3-5 Min.	5 Min.

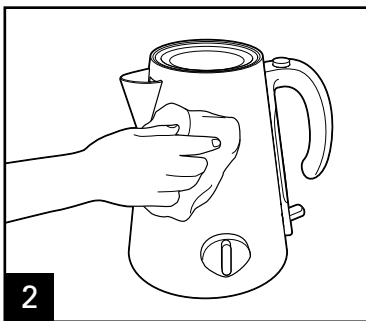
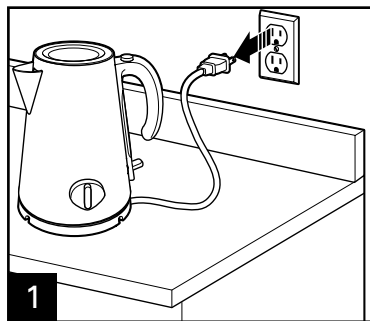
注意：推荐的温度设置是基于泡制一壶茶的水量，且受诸多因素影响，如海拔、水中杂质和水壶中的水量等。

如何清洗



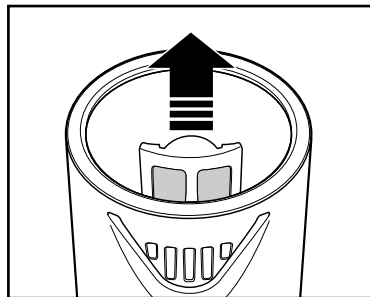
警告

触电危险。请勿将茶壶、底座或插头浸入水或其他液体中。



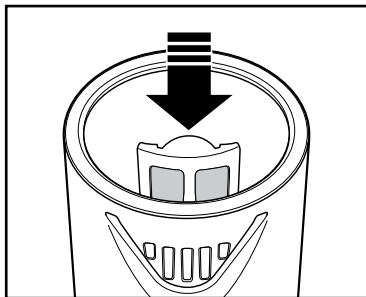
1. 拔下水壶插头后，倒空剩余的水并冲洗。让其冷却。为防止污垢/水垢沉积，每次使用后需倒空水壶。
2. 要清除发热元件上的污痕或污垢/水垢，则：将半茶匙酒石（杂货店香料区有售）放入水壶。然后往水壶注入半壶水。插上插头，按下开关，待其沸腾。然后关闭，让水壶冷却，再用清水冲洗数次。
3. 用湿布擦拭水壶外部。请勿使用磨砂清洗垫或粉末，因为这些洗涤剂可能会刮伤水壶光滑的表面。

移除过滤网：



从水壶盖开口处可看见过滤网。拉住凸出边缘往上提拉，即可移除。定期冲洗过滤网。

更换过滤网：



要更换，则将过滤网滑至插槽，确保凸出边缘朝里。过滤网只在一个方向契合。

故障排除

问题

水壶煮干。

可能的原因

如果水壶意外开启，而未加水或水壶烧干，水壶将会自动关闭。您应该：

- 将电源开关按至 OFF (O)，拔下电源插头并稍等约 15 分钟，让水壶冷却。
- 给水壶加水；正常使用并检查水壶是否运行正常。

水壶无法工作。

拨打免费客服热线前，请做以下简单检查：

- 电源开关是否按至 ON (I) 位置？
- 如果水壶可加热但无法煮沸，则需要除锈。
- 水壶是否意外开启，而未加水或水壶自行煮干？将电源开关按至 OFF (O)，稍等 15 分钟再重试。
- 插头是否牢固地插入插座？

水壶底面褪色。

不锈钢加热元件褪色属正常现象。这并不会影响水壶性能。请勿使用磨砂清洗垫或清洁剂，因为这将会损伤不锈钢表面。

Model/型号:

K22

Type/类别:

40992-CN

Rating/规格

220V ~ 50Hz 1800W

Dist.: Hamilton Beach Brands, Inc., Glen Allen, VA 23060

© 2012 Hamilton Beach Brands, Inc.

Free Manuals Download Website

<http://myh66.com>

<http://usermanuals.us>

<http://www.somanuals.com>

<http://www.4manuals.cc>

<http://www.manual-lib.com>

<http://www.404manual.com>

<http://www.luxmanual.com>

<http://aubethermostatmanual.com>

Golf course search by state

<http://golfingnear.com>

Email search by domain

<http://emailbydomain.com>

Auto manuals search

<http://auto.somanuals.com>

TV manuals search

<http://tv.somanuals.com>