

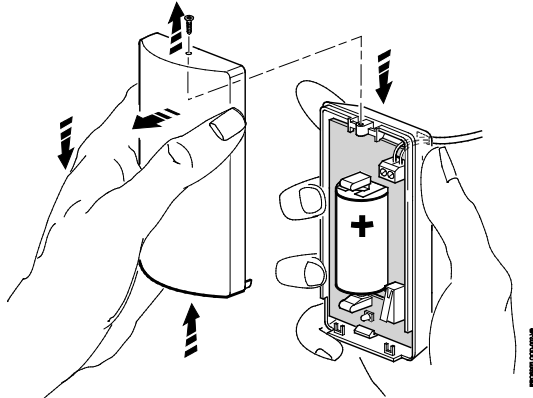
## Installation and Setup Guide

The PROSiXFLOOD is a wireless flood sensor with external probe (FP280) intended for use with Honeywell Home controls that support PROSiX™ series devices. When the probe contacts water, the sensor sends an alarm or trouble signal to the controller depending on zone type selected (ex. trouble = Monitor Zone; alarm = 24hr Aux) within 15 seconds\*. The probe is supervised for an open circuit (cut wire) and sends a trouble signal up to 15 seconds after the condition is sensed. The sensor also has a front cover tamper and wall tamper switch.

\* See Controller's instructions for setting alarm delay options, if available.

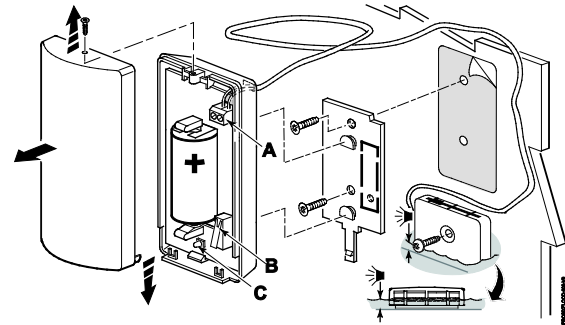
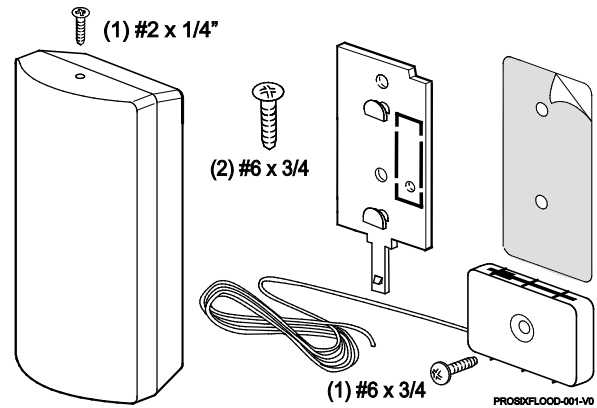
### MOUNT THE PROSiXFLOOD

1. Open the case - firmly slide the front and back housings in opposite directions and pull them apart.

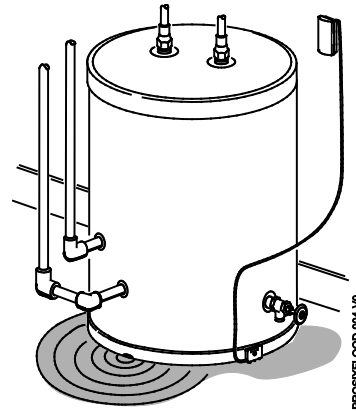


2. Mount the PROSiXFLOOD to a wall as shown, using the double sided tape and screws provided.
3. Connect the flood probe's wires to the PROSiXFLOOD terminals.
4. Mount the flood probe in the area where flood notification is desired. Secure probe with #6 x 3/4" pan head screw provided.
5. Reattach front cover and secure with the #2 x 1/4" screw provided.

After enrolling and before mounting, verify adequate signal strength by conducting a sensor test (see controller's instructions) with the device in its intended mounting location. Adjust the device location and orientation as necessary.



A = Terminal Block for sensor  
B = Tamper Switch  
C = LED  
Probe: FP280



## ENROLL AND SETUP

Set the control in Programming Mode and when prompted:

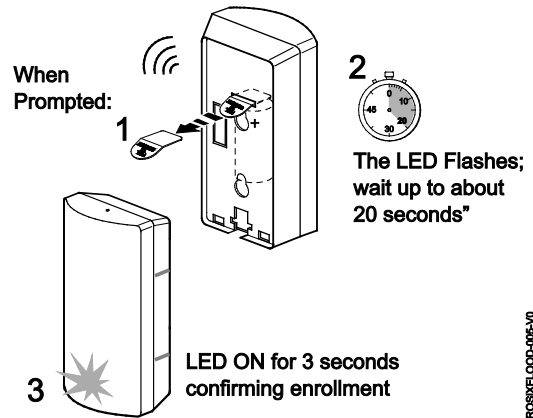
1. Pull the battery tab to activate the PROSiXFLOOD. (Use the tamper switch if the battery tab is removed.)
2. The LED flashes (up to about 20 seconds\*) during enrollment.
  - The device sends its unique MAC ID (Serial Number); the controller registers the device and displays the transmitter data on screen.

**\*NOTE:** Enrollment time varies depending on the signal strength between the device and the controller.

3. When done, the LED is ON for 3 seconds and the control beeps to confirm enrollment.

**NOTE:** If the device is not successfully enrolled during the enrollment period, the LED turns off and the device powers down. Activate the tamper switch to restart the enrollment process.

You must enroll the device in the control. Refer to the control's programming instruction for detailed procedures.



**IMPORTANT:** Once enrolled in a system, the PROSiXFLOOD cannot be used with another controller until it is removed from the current controller. See the Controller's instructions for details.

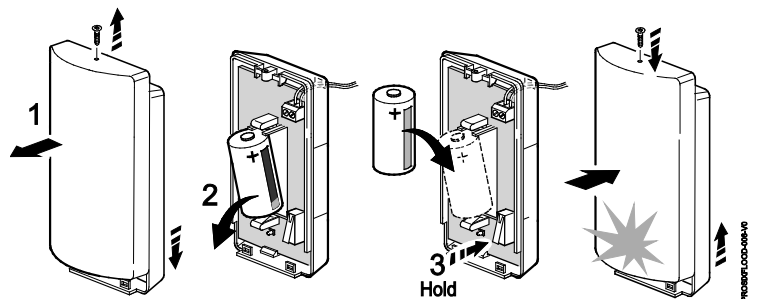
**TESTING NOTE:** After enrollment, the unit can be tested by placing the probe in a cup of water. The control should indicate a fault condition after 15 seconds.

## 24-HOUR ENROLLMENT DELETION AND DEFAULT

If the device is enrolled in a panel different than the intended panel, and you are unable to delete it from the unintended panel, reset the device to factory default setting:



1. Open the cover and remove the battery.
2. Hold down the tamper switch while reinserting the battery. Rapid LED flashing indicates successful deletion (LED flashes as if in enrollment mode). If LED does not flash, delete was not successful.
3. Reattach the cover.

This procedure is available for 24 hours after enrollment with a panel and the device remains powered (battery installed).



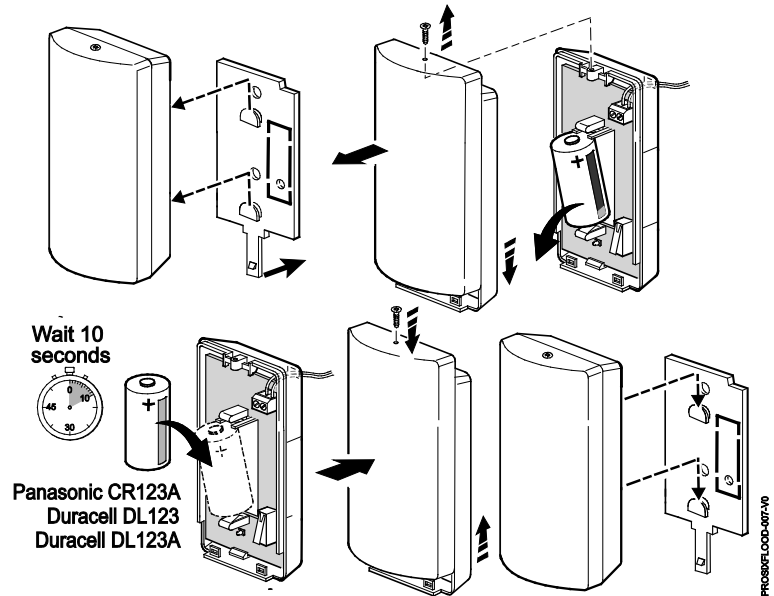
## LED INDICATIONS

○ = ON    ⦿ = Slow Flash    ⦿ = Rapid Flash

LED	Status
 → ○ Rapid Flashes for about 20 seconds, then ON for 3 seconds	Power Up – Enrollment
 Slow Flashes	Power Up – Device enrolled; front Cover Tamper activated. To stop flashes, clear the tamper condition by reattaching the cover. It also times out after 10 minutes.
○ ON (while in Programming Mode)	Sensor LED toggles on and off when the sensor is selected. See Sensor Location Feature.

## BATTERY REPLACEMENT

- Push the bottom latch of the mounting bracket back to disengage it. Then slide the back housing, up and out to remove it from the mounting bracket.
- Slide the front and back housings in opposite directions and pull the housings apart.
- Remove the battery, **wait 10 seconds**, then insert a new battery.  
Recommended batteries:  
Resideo 466  
Duracell DL123A  
Huiderei CR123A  
Panasonic CR123A
- Place the front and back housings together and slide them together as shown.



**BATTERY CAUTION:** Risk of fire, explosion and burns. Do not recharge, disassemble, heat above 212°F (100°C) or incinerate. Dispose of used batteries properly. Keep away from children.

**NOTE:** Constant exposure to high or low temperature or high humidity may reduce battery life.

**WARNING:** Use only batteries specified in marking. Use of a different battery may have a detrimental effect on product operation.

## SPECIFICATIONS:

**Battery:** ..... 1 x 3V Lithium, Resideo 466, Panasonic CR123A, Duracell DL123A or Huiderei CR123A  
**Tamper:** ..... Front Cover and Wall  
**RF Frequency:** ..... 2.4GHz  
**Operating Temperature:** ..... 32° – 122° F / 0° – 50° C  
 (Agency Compliance 32° – 120° F / 0° – 49° C)  
**Relative Humidity:** ..... 95% max. (Agency Compliance - 93% max.), non-condensing  
**Dimensions:** ..... 1" H x 3.13" L x 1.61" W / 25.5 mm H x 79.5 mm L x 41 mm W

## APPROVAL LISTINGS:

FCC / IC  
 cETLus Listed  
 Conforms to ANSI/UL 2017  
 Certified to CAN/CSA STD C22.2 #205  
 Other Standards:  
 RoHS  
 Product must be tested at least once each year



#### FEDERAL COMMUNICATIONS COMMISSION & ISED STATEMENTS

The user shall not make any changes or modifications to the equipment unless authorized by the Installation Instructions or User's Manual. Unauthorized changes or modifications could void the user's authority to operate the equipment.

#### CLASS B DIGITAL DEVICE STATEMENT

This equipment has been tested to FCC requirements and has been found acceptable for use. The FCC requires the following statement for your information: This equipment generates and uses radio frequency energy and if not installed and used properly, that is, in strict accordance with the manufacturer's instructions, may cause interference to radio and television reception. It has been type tested and found to comply with the limits for a Class B computing device in accordance with the specifications in Part 15 of FCC Rules, which are designed to provide reasonable protection against such interference in a residential installation. However, there is no guarantee that interference will not occur in a particular installation. If this equipment does cause interference to radio or television reception, which can be determined by turning the equipment off and on, the user is encouraged to try to correct the interference by one or more of the following measures:

- If using an indoor antenna, replace it with a quality outdoor antenna.
- Reorient the receiving antenna until interference is reduced or eliminated.
- Move the radio or television receiver away from the receiver/control.
- Move the antenna leads away from any wire runs to the receiver/control.
- Plug the receiver/control into a different outlet so that it and the radio or television receiver are on different branch circuits.
- Consult the dealer or an experienced radio/TV technician for help.

#### ISED CLASS B STATEMENT

This Class B digital apparatus complies with Canadian ICES-003.  
Cet appareil numérique de la classe B est conforme à la norme NMB-003 du Canada.

#### FCC / ISED STATEMENT

This device complies with Part 15 of the FCC Rules, and ISED's license-exempt RSSs. Operation is subject to the following two conditions: (1) This device may not cause harmful interference, and (2) This device must accept any interference received, including interference that may cause undesired operation.

Cet appareil est conforme à la partie 15 des règles de la FCC et exempt de licence RSS d'ISED. Son fonctionnement est soumis aux conditions suivantes: (1) Cet appareil ne doit pas causer d'interférences nuisibles. (2) Cet appareil doit accepter toute interférence reçue y compris les interférences causant une réception indésirable.

Responsible Party / Issuer of Supplier's Declaration of Conformity: Ademco Inc., a subsidiary of Resideo Technologies, Inc., 2 Corporate Center Drive., Melville, NY 11747, Ph: 516-577-2000

#### RF EXPOSURE

**Warning** – The antenna(s) used for this device must be installed to provide a separation distance of at least 7.8 inches (20 cm) from all persons and must not be co-located or operating in conjunction with any other antenna or transmitter except in accordance with FCC and ISED multi-transmitter product procedures.

#### Mise en Garde

**Exposition aux Fréquences Radio** : La/les antenne(s) utilisée(s) pour cet émetteur doit/doivent être installée(s) à une distance de séparation d'au moins 20 cm (7,8 pouces) de toute personne et ne pas être située(s) ni fonctionner parallèlement à tout autre transmetteur ou antenne, excepté en conformité avec les procédures de produit multi transmetteur FCC et ISED.

REFER TO THE INSTALLATION INSTRUCTIONS FOR THE CONTROL WITH WHICH THIS DEVICE IS USED, FOR DETAILS REGARDING LIMITATIONS OF THE ENTIRE ALARM SYSTEM.

Responsible Party / Issuer of Supplier's Declaration of Conformity: Ademco Inc., a subsidiary of Resideo Technologies, Inc., 2 Corporate Center Drive., Melville, NY 11747, Ph: 516-577-2000

The product should not be disposed of with other household waste. Check for the nearest authorized collection centers or authorized recyclers. The correct disposal of end-of-life equipment will help prevent potential negative consequences for the environment and human health.

Any attempt to reverse-engineer this device by decoding proprietary protocols, de-compiling firmware, or any similar actions is strictly prohibited.

#### SUPPORT & WARRANTY INFORMATION

For the latest documentation and support, please go to:  
[www.resideo.com](http://www.resideo.com)

For the latest warranty information, please go to:  
[www.security.honeywellhome.com/warranty](http://www.security.honeywellhome.com/warranty)

The Honeywell Home Trademark is used under license from Honeywell International Inc.  
This product is manufactured by Resideo Technologies, Inc. and its affiliates.

# resideo

2 Corporate Center Drive, Suite 100  
P.O. Box 9040, Melville, NY 11747  
© 2020 Resideo Technologies, Inc.  
[www.resideo.com](http://www.resideo.com)



## Free Manuals Download Website

<http://myh66.com>

<http://usermanuals.us>

<http://www.somanuals.com>

<http://www.4manuals.cc>

<http://www.manual-lib.com>

<http://www.404manual.com>

<http://www.luxmanual.com>

<http://aubethermostatmanual.com>

Golf course search by state

<http://golfingnear.com>

Email search by domain

<http://emailbydomain.com>

Auto manuals search

<http://auto.somanuals.com>

TV manuals search

<http://tv.somanuals.com>