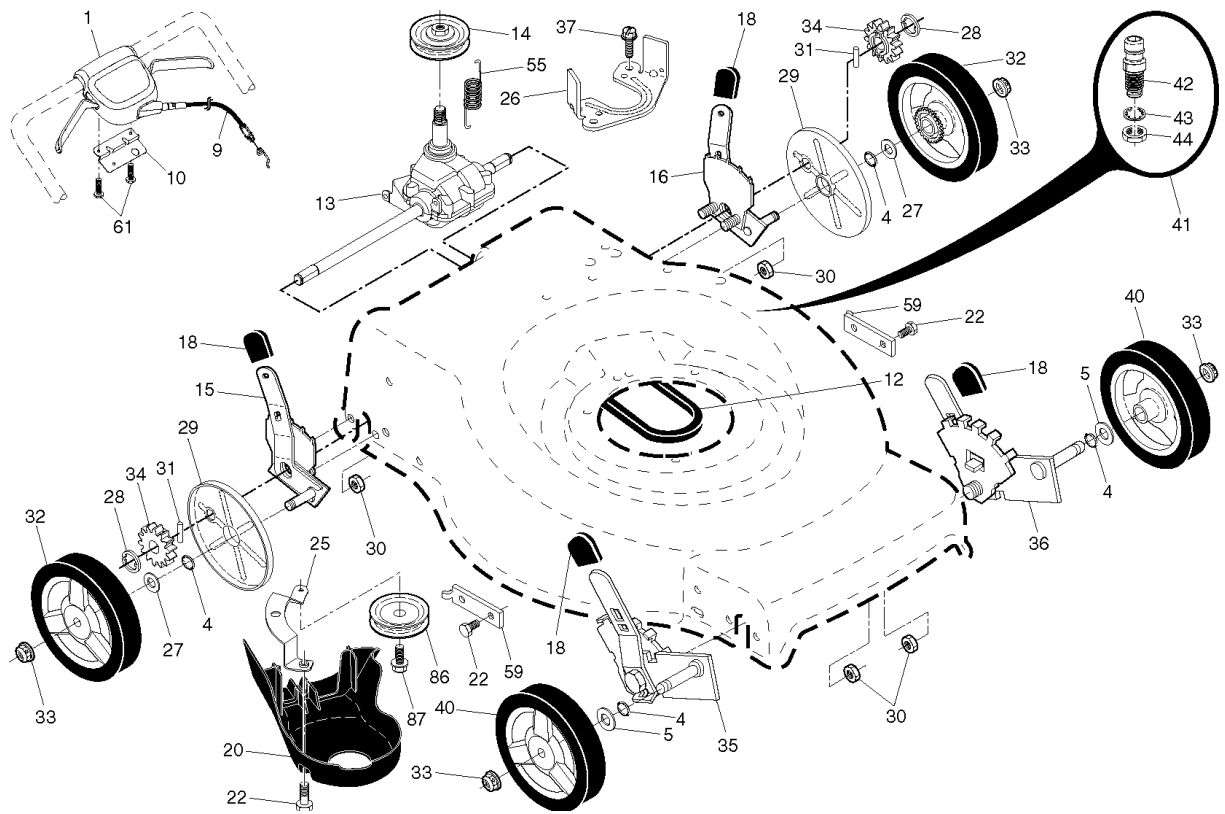




SPARE PARTS LIST

LAWN MOWERS: CONSUMER
WALK-BEHINDS

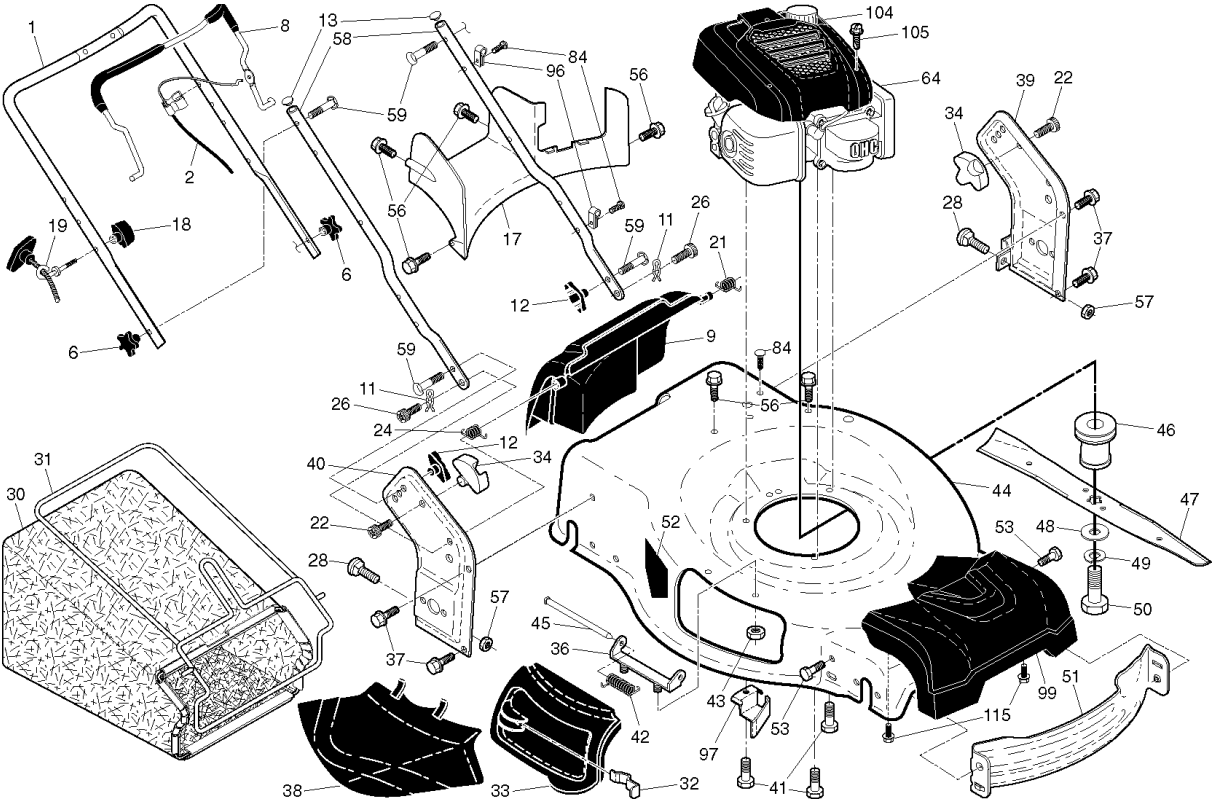
LC 356V, 96141029103, 2015-10



DRIVE

LC 356V, 96141029103, 2015-10

Ref	Part No	Description	Remark	QTY	KIT
1	581 95 05-05	CONTROL		1	9
4	532 19 74-80	O-RING		1	
5	532 08 83-48	WASHER		1	
9	581 95 21-01	CABLE		1	
10	532 43 27-90	BRACKET		1	
12	580 36 46-04	BELT		1	
13	581 68 08-01	TRANSMISSION		1	
14	586 96 30-01	PULLEY		1	
15	581 49 79-06	ADJUSTER	RH	1	
16	581 49 79-05	ADJUSTER	LH	1	
18	532 70 10-37	KNOB		1	
20	580 80 69-01	BELT COVER		1	
22	817 00 05-10	BOLT		1	
25	581 31 38-02	BRACKET		1	
26	532 42 60-66	KEEPER		1	
27	532 06 77-25	WASHER		1	
28	812 00 00-58	E-CLIP		1	
29	581 84 04-01	DUST COVER		1	
30	532 19 17-30	NUT		1	
31	532 40 48-45	PAWL, DRIVE		1	
32	581 68 51-01	WHEEL		1	
33	532 40 91-48	NUT		1	
34	532 40 48-35	PINION		1	
35	532 43 78-72	ADJUSTER	RH	1	
36	532 43 78-71	ADJUSTER	LH	1	
37	532 16 34-09	SCREW		1	
40	532 41 08-31	WHEEL		1	
41	532 43 84-89	KIT		1	
42	532 43 49-94	PORT		1	
43	532 41 55-85	LOCKWASHER		1	
44	532 41 55-86	LOCKING NUT		1	
55	581 35 13-01	SPRING		1	
59	532 44 21-13	BRACKET		1	
61	532 18 16-98	SCREW		1	
86	587 96 92-01	PULLEY		1	
87	581 12 76-01	SCREW		1	



FRAME & ENGINE

LC 356V, 96141029103, 2015-10

Ref	Part No	Description	Remark	QTY	KIT
1	585 85 48-06	HANDLE		1	70
2	532 42 49-83	CABLE		1	
6	532 18 23-98	KNOB		1	
8	587 68 93-02	BAIL ARM ASSY		1	
9	532 43 13-91	DOOR ASSY		1	
11	532 42 55-75	HAIR PIN COTTER		1	
12	532 19 19-38	KNOB		1	
13	532 43 75-16	PLUG		1	
17	581 78 21-01	BAFFLE		1	
18	581 91 26-01	KNOB		1	
19	581 90 21-01	GUIDE		1	
21	532 41 99-49	SPRING	LH	1	
22	532 14 18-41	SCREW		1	
24	532 41 99-48	SPRING	RH	1	
26	532 41 99-45	SCREW		1	
28	586 21 25-01	BOLT		1	
30	580 94 34-05	GRASS BAG ASSY		1	
31	585 05 47-02	BAG FRAME		1	
32	532 44 11-92	LATCH		1	
33	532 41 99-27	MULCH DOOR		1	
34	532 43 81-34	BRACKET		1	
36	532 17 57-35	HINGE		1	
37	817 00 05-10	BOLT		1	
38	532 42 61-29	DEFLECTOR		1	
39	585 90 07-03	BRACKET	LH	1	
40	585 90 08-03	BRACKET	RH	1	
41	532 15 04-06	BOLT		1	
42	532 19 30-00	HINGE		1	
43	532 43 81-30	NUT		1	
44	581 70 83-27	HOUSING ASSY		1	
45	532 17 56-50	ROD		1	
46	581 85 15-01	ADAPTER		1	
47	580 24 40-01	BLADE		1	
48	532 85 10-74	WASHER		1	
49	532 85 02-63	WASHER		1	
50	532 85 10-84	SCREW		1	
51	532 43 05-99	BAFFLE		1	
52	532 18 21-66	DECAL		1	
53	817 00 05-10	BOLT		1	
56	817 41 13-12	SCREW		1	
57	532 15 53-77	NUT		1	
58	585 90 82-03	HANDLE		1	
59	532 19 15-74	HANDLE BOLT		1	
64	000 00 00-00	W/O DESCRIPTION	HONDA GCV160- LAOS3DB FOR SERVICE & PARTS 1- 800- 426- 7701	1	
84	532 42 81-24	FASTENER		1	
96	532 19 79-91	CLIP		1	
97	581 11 53-02	BRACKET		1	
99	585 66 87-02	FRONT COVER ASSY		1	
104	580 29 00-01	SHROUD		1	
105	580 76 87-01	SCREW ITPANT		1	
115	584 29 94-01	SCREW EHHFT		1	
	532 42 38-49	BAG	BAG OF PARTS (INCLUDES KEY NUMBERS12 & 59)	1	

Free Manuals Download Website

<http://myh66.com>

<http://usermanuals.us>

<http://www.somanuals.com>

<http://www.4manuals.cc>

<http://www.manual-lib.com>

<http://www.404manual.com>

<http://www.luxmanual.com>

<http://aubethermostatmanual.com>

Golf course search by state

<http://golfingnear.com>

Email search by domain

<http://emailbydomain.com>

Auto manuals search

<http://auto.somanuals.com>

TV manuals search

<http://tv.somanuals.com>