

OPERATOR'S MANUAL / 2008

WITH PARTS LIST

EDGER/TRIMMER

Model: **LE475 / 966951101**

- Specifications
- Operating
Instructions
- Maintenance
Information





Husqvarna

TABLE OF CONTENTS

General Safety Suggestion.....	3
Edger-Trimmer Features	4
Assembly.....	5
Attaching the Handle	5
Installing Throttle Wire.....	5
Fill Engine With Oil	5
Operating Your Edger- Trimmer	6
Correct Engine Operation.....	6
Fuel Specification	5
Oil Specification.....	5
Starting The Engine.....	6
Engaging Drive Belt.....	6
Stopping The Engine.....	6
Correct Edger-Trimmer Usage.....	8
Operation of the Edger-Trimmer	8
Maintaining Your Edger-Trimmer	9
Maintenance Check List.....	9
Engine	9
Oil Quality.....	9
Oil Level.....	9
Oil Changes.....	9
Spark Plug.....	9
Blade Maintenance.....	9
Blade Changes.....	9
Lubrication.....	9
Storage Instructions.....	13
Maintenance Notes.....	13-15
Parts Illustration	10
Parts List	11
Troubleshooting Chart	12
Warranty.....	Back Cover

 **CAUTION** 
TO AVOID INJURY

This symbol marks important instructions relating to your personal safety. To avoid the possibility of injury, read and follow such instructions carefully.

When the manual refers to the left or right side of the edger-trimmer, it means your left and right when standing in the operation position.

GENERAL SAFETY SUGGESTIONS

Recommended by Outdoor Power Equipment Institute

DO NOT MODIFY EDGER-TRIMMER

Unauthorized modification to the edger-trimmer may impair its function and safety and affect edger-trimmer life.

TRAINING

1. Read the Operating and Maintenance Instruction Manual carefully. Be thoroughly familiar with the controls and proper use of the equipment.
2. Never allow children to operate edger-trimmer.
3. Keep area of operation clear of all persons, particularly small children and pets.
4. Thoroughly train anyone using the edger-trimmer. Make sure all edger-trimmer operators know the safety, operating, and maintenance procedures.

PREPARATION

1. Thoroughly inspect the area where edger-trimmer is to be used, and remove all stones, sticks, wire, bones, and other foreign objects which might be picked up and thrown.
2. Do not operate edger-trimmer when barefoot or wearing open sandals. Always wear substantial footwear, and pants or slacks that cover your legs when operating edger-trimmer.
3. Check fuel before starting engine. Do not fill gasoline tank indoors, when engine is running, or while engine is still hot. Clean off any spilled gasoline before starting engine.
4. Disengage cutterhead drive before starting engine.
5. Do not use edger-trimmer unless blade guard, belt guards, and debris guard are properly in place.
6. Edge or trim only in daylight or in good artificial light.
7. Never operate equipment in wet grass. Always be sure of your footing. Keep a firm hold on the handle and walk, never run.

OPERATION

1. Start the engine carefully. Keep hands and feet well away from blade.
2. Do not change engine governor setting or overspeed engine.
3. Wear safety glasses when operating edger-trimmer.
4. Keep clear of discharge opening at all times. Never direct discharge of any material toward bystanders nor allow anyone near machine while it is in operation.
5. Stop blade when crossing gravel drive, walks, or roads.
6. After striking a foreign object, stop the engine and inspect edger-trimmer for damage. Repair damage before starting engine.
7. Avoid loss of control or tipping on slopes and sharp corners by reducing speed.

8. If edger-trimmer should start to vibrate abnormally, stop the engine and check for the cause. Vibration is generally a warning of trouble.
9. Stop the engine whenever you leave the edger-trimmer, and when making repairs or inspections.
10. When repairing or inspecting, make certain blade and all moving parts have stopped. Disconnect spark plug wire and keep wire away from plug to prevent accidental starting.
11. Do not run engine indoors.
12. Shut engine off and wait until blade comes to a complete stop before removing grass that may clog blade guard.
13. Watch out for traffic when working near roadways.
14. Stay alert for uneven sidewalks, holes in terrain, or other hidden hazards when using edger-trimmer. Always push slowly over rough ground.
15. Remember, never operate edger-trimmer unless blade guard, belt guards, and debris guard are properly in place.
16. Disengage power to cutterhead and stop engine before leaving edger-trimmer, before making repairs, inspections or adjustments, and when transporting or not in use.

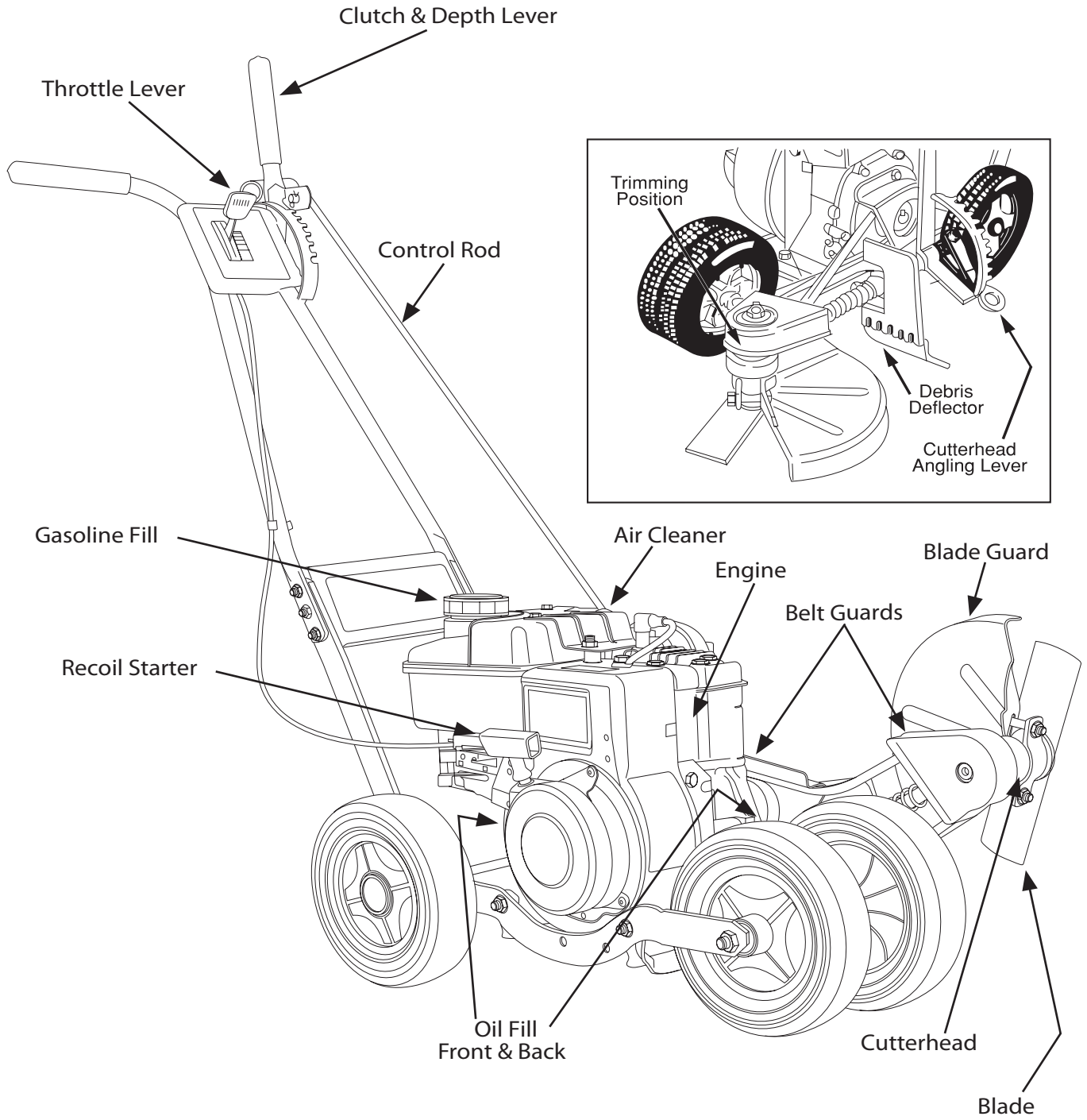
MAINTENANCE AND STORAGE

1. Check blade mounting nut frequently for proper tightness.
2. Keep all nuts, bolts, and screws tight to be sure equipment is in safe working condition.
3. Never store edger-trimmer with gasoline in the tank in a building where fumes may reach an open flame or spark. Be sure engine has cooled before storing in any enclosure.
4. To reduce fire hazard, keep engine free of grass, leaves, or excessive grease.
5. After operating engine, never touch exhaust muffler until it has cooled completely.
6. Keep edger-trimmer in good operating condition, and keep safety devices in place.

CAUTION TO AVOID INJURY

Read Operator's Manual. Know location and function of controls. Maintain safety devices. Remove potential thrown objects. Never edge or trim near people. Never carry passengers. Look before backing. Avoid slippery or steep areas. Stop blade and back slowly if machine stops. Avoid blade unless blade and engine are stopped.

EDGER-TRIMMER FEATURES



ASSEMBLY

TOOLS REQUIRED: 7/16" Wrench, Pliers, Screwdriver

NOTE: Reference to Left or Right side of machine is from the operator's position of the handle, facing forward.

The lawn edger, except the handle and throttle control, is fully assembled, packed, and shipped in one container.

ATTACHING THE HANDLE

1. Remove handle brace, nuts, and bolts. Align the handle, lower support, and handle brace holes. Use all six nuts and bolts. Leave bolts loose until Steps 2 and 3 are completed (See Fig. 1).
2. Install control rod into upper and lower pivot holes and secure with cotter pins (See Fig. 1). Oil pivots lightly before installing rod.
3. Move clutch-depth lever into rear notch of quadrant on handlebars. Move cutterhead angling lever to top notch of quadrant.
4. Remove spark plug wire from spark plug. Move throttle to OFF position. Check clutch operation by pulling recoil starter rope. If blade turns when depth lever is in top notch, loosen handle bolts and pull toward operator. Snug bolts and check clutch operation again.

— IMPORTANT NOTE —

Make sure blade does not turn when lever is in top notch (disengaged).

5. Slip on the handle grips.
6. Tighten bolts.

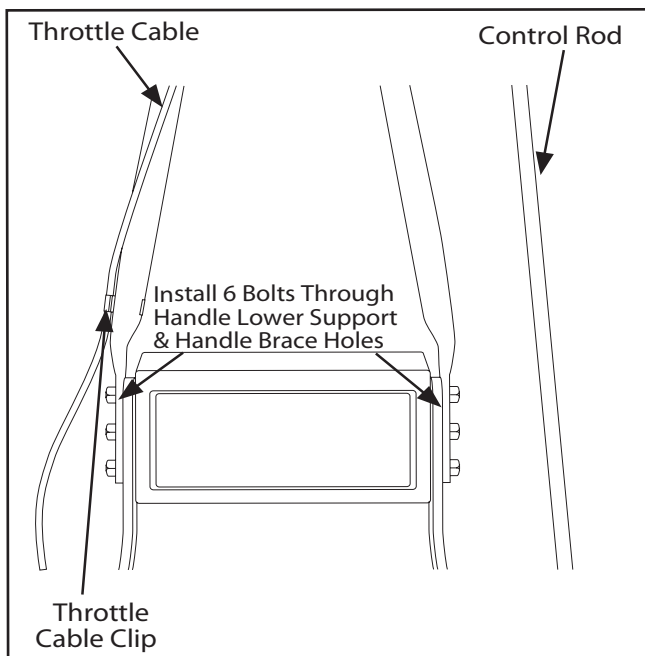


Fig. 1

FILL ENGINE WITH OIL

NOTE: There is no oil in engine crankcase.

1. Follow instructions in the engine manual for correct grade of oil, oil filling, and oil changing.
2. Do not mix oil with gasoline.

INSTALLING THE THROTTLE WIRE

1. If the throttle cable is not attached to the engine carburetor, follow the instructions in the engine operating manual. Some throttle cables cannot be attached before shipping.

Check oil level of engine every time edger-trimmer is used. An improper oil level can cause extensive internal damage to engine.

FUEL SPECIFICATION

1. Follow fueling instruction in the engine manual.

CAUTION

Handle fuel with care—it is highly flammable. Use only approved fuel container. Never add fuel while engine is running. Fill fuel tank outdoors, with extreme care. Never fill fuel tank indoors. Replace gasoline cap securely and wipe up all spilled fuel.

Always clean area around fuel cap before removing it to prevent excessive amounts of dirt from entering fuel system. Also insure that the fuel storage container you are using is clean and in good condition.

CORRECT ENGINE OPERATION

CAUTION

Before starting engine, become familiar with all controls. Read this Operator's Manual thoroughly. Always check engine oil level before starting engine.

WARNING

Care should be taken to avoid inhaling exhaust gasses, as they contain carbon monoxide gas, which is colorless and odorless. Carbon monoxide is a dangerous gas that can cause unconsciousness and is potentially lethal. Do not run engine in confined areas such as closed garages.

OPERATING YOUR EDGER-TRIMMER

CORRECT ENGINE OPERATION

⚠ CAUTION ⚠

Always disengage edger-trimmer blade and shut engine off when leaving the edger-trimmer unattended, even if for just a few minutes. Prevent accidents; don't give children or unauthorized persons an opportunity to operate this machine.

⚠ CAUTION ⚠

Always start edger-trimmer in motion slowly. Sudden starts can be damaging to the equipment and could cause loss of operator control.

⚠ CAUTION ⚠

Rotating blade can throw dirt or debris. Wear safety glasses when operating the edger-trimmer.

ADJUSTING CUTTERHEAD ANGLE (See Fig. 2)

Before starting engine, adjust cutterhead angle. The cutterhead angling lever, located on the left hand side of the frame, enables the operator to position the blade horizontally for trimming or choose several vertical positions for edging.

⚠ WARNING ⚠

Never adjust cutterhead angle when engine is running.

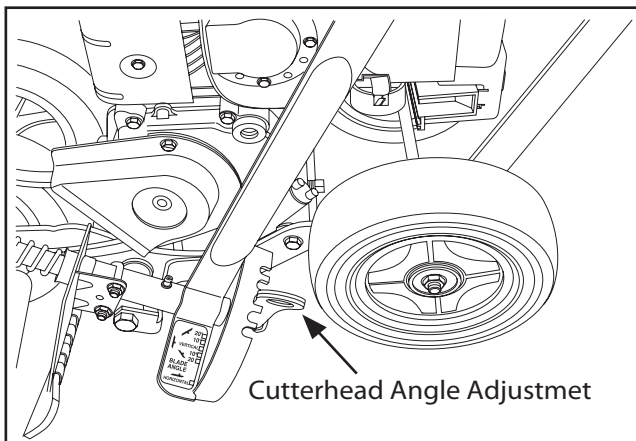


Fig. 2

CLUTCH AND DEPTH LEVER SETTINGS (See Fig. 3)

Clutch and Depth lever is used to engage and disengage the drive belt, which operates the blade. It is also used to regulate the depth of edging and height of trimming.

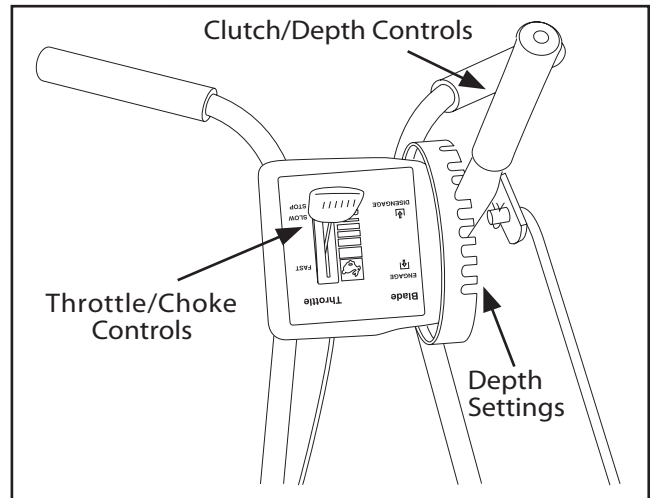


Fig. 3

STARTING THE ENGINE

Be sure the clutch lever is in the rear **DISENGAGED** position before starting engine.

Manually pull out choke on engine.

Grasp the recoil starting handle and pull quickly. Return the handle slowly. If the engine fails to start after three or four pulls, lower the throttle to the detented full throttle (fast) position.

Once the engine starts, push the choke to the off position. Use the **SLOW** position to idle the engine.

ENGAGING THE DRIVE BELT

Move clutch and depth lever forward to engage drive belt and blade. Notches in base of lever permit adjusting depth of cut for edging and height for trimming.

TO STOP

Disengage edger-trimmer clutch and depth lever.

Move throttle control to stop position. Make sure engine is stopped and blade is not rotating before leaving the operating position.

OPERATING YOUR EDGER-TRIMMER, CONT.

WHEEL POSITIONING (See Fig. 4)

The wheel adjusting spacer should be centered between the wheels when edging in the vertical position. Wheels must be in the dual position to the right when edging with cutterhead in an angle position or trimming (horizontal position).



Do not change wheel positions when engine is running.

Remove the spacer from between the wheels by lifting on spacer with open side down. Slide the left front wheel on the axle toward the right wheel, and once again install the spacer on the axle between the frame and wheel.



Before starting the engine, be sure the wheels and cutterhead are positioned so the blade will not strike the wheels.

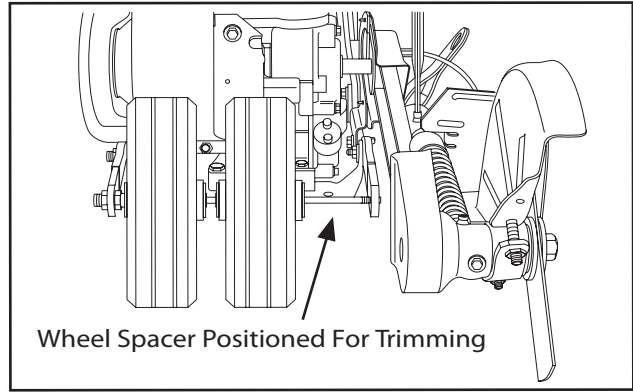


Fig. 4

CURB RIDING POSITION

Remove the spacer from between the front wheels. Slide the right wheel toward the left wheel and replace the spacer between the wheel and right frame. Only vertical edging can be done in this position.

NOTE: As pictured above, wheels are positioned to the right for trimming. The wheels are positioned to the left for curb riding edging.

NOTES

CORRECT EDGER-TRIMMER USAGE

CAUTION

Read all manuals provided before operating. These manuals give a detailed description of operation and point out other areas of caution. Familiarize yourself thoroughly with equipment before attempting to use it.

OPERATION OF THE EDGER-TRIMMER

WARNING

Keep all shields in place. Never attempt to clear discharge areas or edger-trimmer blade without disengaging the edger-trimmer and stopping the engine.

Your edger-trimmer is designed to give a professionally groomed appearance to your lawn with minimum effort. It will edge lawns at walks, around flower beds, trim close to poles and hydrants, and also under fences and other hard to reach locations. For best appearance around flowers, adjust blade to 20° angle cut.

For best results, adjust the cutting depth of the blade to within 1/2" to 1" deep (with a new blade usually in the third notch of the adjustment bracket at handle).

Too deep a cut will put unnecessary stress on engine and accelerate blade wear. Cutting too shallow allows rapid regrowth of roots.

Make sure to re-adjust cutting depth as blade begins to wear at tips.

Avoid edging or trimming in wet grass, as it may clog up in the blade guard and cause splattering. The general appearance will be much better when grass is dry.

Always push edger-trimmer at moderate walking speed — at this speed your edger-trimmer is designed to cut more than 100 ft. per minute. Four-wheel design of edger-trimmer permits easy and stable edging, riding securely on sidewalk or cement surfaces.

Around specially shaped flower beds or curved sections, follow these simple steps. It will be easier to cut around corners when front wheels are placed together at right side of trimmer-edger. Before starting engine, remove wheel spacer clip on front axle, slide wheels to side away from blade, and replace spacer.

After starting engine, set blade depth and by slightly lifting rear wheels, guide edger-trimmer around corners and odd angles.



WARNING TO PURCHASERS OF INTERNAL COMBUSTION ENGINE EQUIPPED MACHINERY OR DEVICES



This equipment does not include a spark arrestor muffler.

If this equipment is used on any forest-covered land, brush-covered land, or grass-covered land in the State of California, the law requires that a spark arrestor be installed and in effective working order before using this equipment on such land. The spark arrestor must be attached to the exhaust system and comply with Section 4442 of the California Public Resources Code.

If this equipment is used in a state or national park or campground, a U.S.D.A. Forestry Department approved spark arrestor muffler must be utilized.

MAINTAINING YOUR EDGER-TRIMMER

⚠ CAUTION ⚠

To minimize the chance of injury, perform all maintenance and adjustments on your edger-trimmer with engine off, unless instructed otherwise in this section. Use extreme care when working near operating machinery. Do not wear loose fitting clothing. Remove watch and jewelry before beginning work and observe common safety practices when using tools.

MAINTENANCE CHECKLIST

1. Refer to the engine manual for engine maintenance instructions.
2. Correct grade of oil and gasoline is included in the instructions.

Check the oil level of the engine every time the edger-trimmer is used. An improper oil level can cause extensive internal damage to engine.

Failure to change engine oil at recommended intervals can lead to serious damage to engine. This is especially true when using detergent oils which are designed to hold impurities in suspension; when saturation point is reached, oil may suddenly break down to form a gelatin-like substance which seriously impairs and can even stop flow of oil. Increase frequency of oil changes if edger-trimmer is operated under extremely dusty conditions.

SPARK PLUG

Engine misfire, or generally poor operation, is often caused by spark plug in poor condition or with incorrect spark gap setting. Spark plug should be checked after each fifty hours of operation. Replace a spark plug at one hundred operating hour intervals, or sooner if inspection reveals fouling or excessive deterioration.

Always clean area around spark plug before removing it to prevent dirt from entering engine. Use a spark wrench to remove and install plug.

Check condition of plug. Good operating conditions are indicated by a light coating of grey or tan deposit. A dead white, blistered coating could indicate an "overrich" fuel mixture caused by a clogged air cleaner, or improper carburetor adjustment.

Replace spark plug that is not in good condition. Never sand blast, wire brush, scrape, or reinstall spark plug in poor condition. Best results are obtained with a new plug.

Always check spark plug gap before installing a new plug or reinstalling the original plug. Use a spark plug gap gauge to adjust the electrode air gap as indicated in the engine manual.

BLADE MAINTENANCE

⚠ CAUTION ⚠

Sharp edges of edger-trimmer blade can cut you during blade maintenance or adjustment. Use suitable covering over cutting edges of blade to prevent bodily harm.

BLADE CHANGE

1. Place a 5/16" Allen wrench on the inside of cutterhead shaft and a 3/4" wrench on the blade nut, and turn to loosen nut. Remove outer washer and old blade.
2. Replace blade with only Husqvarna blade (available in 3-pack). Place outer washer the same direction as removed, and tighten nut as snug as possible.

LUBRICATION (See Fig. 5)

1. The cutterhead body needs occasional greasing. Use #2 multi-purpose grease.
2. The cutterhead mandrel has two precision-sealed bearings that do not need lubrication.

USE #2 MULTI-PURPOSE GREASE

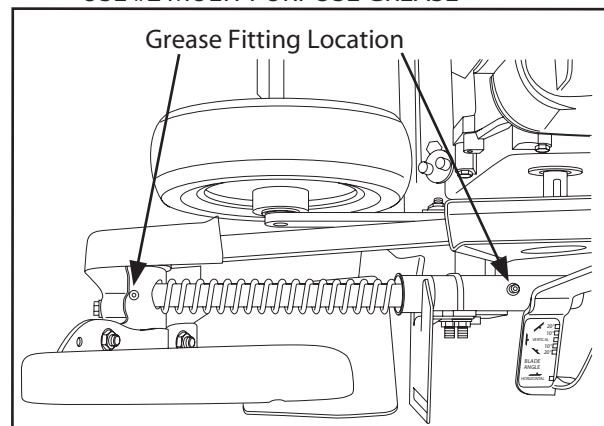
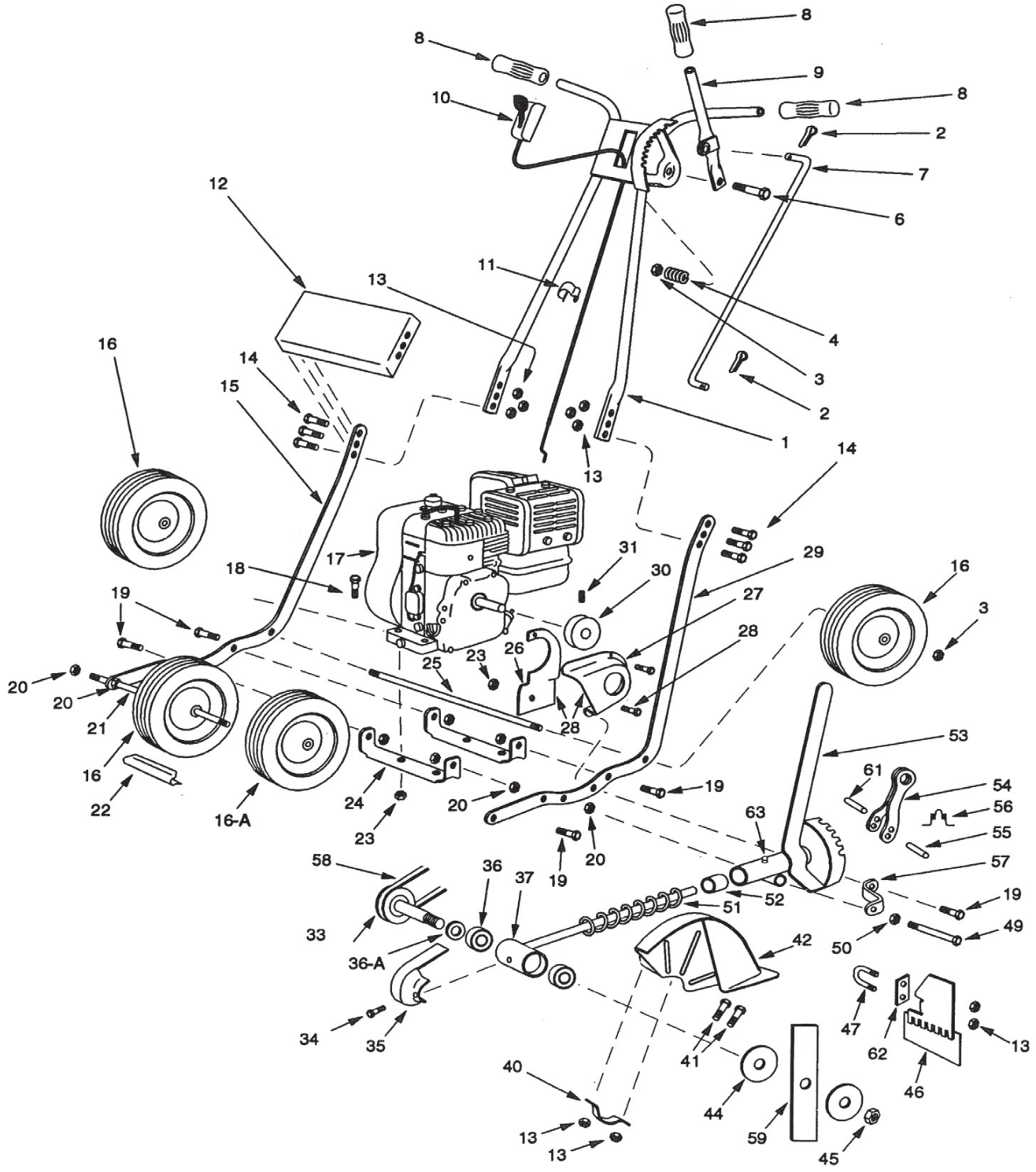


Fig. 5

Oil all exposed bearings, linkage, and front wheels. Check all nuts and bolts for tightness.

LAWN EDGER AND TRIMMER PARTS ILLUSTRATION



LAWN EDGER AND TRIMMER PARTS LIST

REF. NO.	PART NO.	DESCRIPTION	REF. NO.	PART NO.	DESCRIPTION
1	505289901	Handle	34	505289939	Screw 1/4-20 x 1/2 Hex
2	505289902	Pin, Cotter 1/8 x 3/4 (2 Req.)	35	505289940	Cutterhead Pulley Guard
3	505289903	Nut Lock Hex 7/16" - 14 (4 Req.)	36	505289941	Cutterhead Bearing (2 Req.)
4	505289904	Spring	36A	505289943	Spring Washer (New 01/87)
6	505289905	Bolt, Hex 7/16 - 14 x 2	37	505289942	Mandrel, Head
7	505289906	Rod, Clutch & Depth	40	505289944	Clamp, Blade Guard
8	505289907	Grip (3 Req.)	41	505289945	Bolt 1/4-28 x 1-1/2 Hex (2 Req.)
9	505289908	Lever, Clutch & Depth	42	505289946	Blade Guard Main
10	505289909	Throttle Control (3 HP Ball Brg) (40-3/4)		505289947	Complete Blade Guard
11	505289910	Clip, Throttle Cable	44	505289948	Washer, Friction (2 Req.)
12	505289911	Cross Brace for Handle	45	505289949	Nut 1/2-20
13	505289912	Nut 1/4-28 Hex (10 Req.)	46	505289950	Deflector, Debris Sweep
14	505289913	Bolt 1/4-28 x 7/8 hex (6 Req.)	47	505289951	U-Clamp
15	505289914	Frame, Right Hand 8"		505289952	Complete Debris Guard
16	505289915	Hub Cap for 7" & 8" Rear Wheels	49	505289953	Pivot Bolt
	505289916	8" Rear Wheel Complete w/ Bearings, Wide Tire & Hub Cap	50	505289954	Flat Washer 7/16
	505289917	8" Rear Wheel Outside Bearing Only	51	505289955	Spring, Head Recoil
	505289918	8" Rear Wheel Inside Bearing Only. Also for 8" Front Wheel. (2 needed/front)	52	505289956	Cup
16A	505289919	8" Front Wheel Complete w/Bearing & Wide Tire	53	505289957	Body, Cutterhead
	505289920	8" Tire Only	54	505289958	Lever, Angle Shifting
	505289921	8" Rear Wheel Rim Only	55	505289959	Pin 5/16 x 2
	505289922	8" Front Wheel Rim Only	56	505289960	Spring
17	---	Engine (Briggs & Stratton Dist.)	57	505289961	Brace Cutterhead
18	505289924	Bolt 5/16-24 x 1-1/2 (4 Req.)	58	505289962	Drive Belt (4L-300)
19	505289925	Bolt 5/16-24 x 7/8 Hex (5 Req.)	59	505289963	Cutting Blade
20	505289926	Nut 7/16-14 Hex (3 Req.)	61	505289964	1-1/4 Pin
21	505289927	8" Front Axle	62	505289965	U-Clamp Spacer
22	505289928	8" Front Wheel Spacer (2-13/16" Use With 7075-7 Wheels)	63	505289966	Grease Fitting
23	505289929	Nut 5/16-24 Hex (9 Req.)		505289967	Handle and Wheel Bearing
24	505289930	8" Fram Crossmember		505289968	Cutting Head Complete (Inc. No 33,53,51,52,54,55,56,61,37,(2)63, (2)36)
25	505289931	8" Rear Axle (13-5/8") (Use with 7058 wheels)	505289969	LE475 Decal	
26	505289932	Bracket, Engine Pulley Guard			
27	505289933	Guard, Engine Pulley			
	505289934	Engine Pulley Guard & Bracket Complete			
28	505289935	Screw #10 x x1/2 Sheet Metal (4 Req.)			
29	505289936	8" Fram, Left Hand			
31	505289937	Set Screw 5/16-24 x 5/16			
33	505289938	Cutterhead Pulley & Shaft Comp.			
30	505289937	Engine Pulley			

NOTE: All component dimensions given in U.S. inches
1 inch = 25.4 mm

TROUBLESHOOTING CHART

PROBLEM	CAUSE
1. Engine fails to start.	<ul style="list-style-type: none"> A. Check fuel tank for gas. B. Spark plug lead wire disconnected. C. Throttle control lever not in starting position. D. Check spark plug.* E. Carburetor improperly adjusted. Engine flooded. Remove spark plug, dry the plug, crank engine with plug removed, and throttle in off position. Replace spark plug and lead wire and resume starting procedures. F. Old/stale gas. Drain and refill with fresh gas.
2. Hard Starting or loss of power.	<ul style="list-style-type: none"> A. Spark plug wire loose. B. Carburetor improperly adjusted.* C. Dirty air cleaner.*
3. Operation erratic.	<ul style="list-style-type: none"> A. Dirt in gas tank. Drain, clean and refill. B. Dirty air cleaner.* C. Water in fuel supply. Drain and refill. D. Vent in gas cap and/or carburetor plugged. Clear vent. E. Carburetor improperly adjusted.*
4. Hard Starting or loss of power.	<ul style="list-style-type: none"> A. Spark plug fouled, faulty or gap too wide.* B. Carburetor improperly adjusted.* C. Dirty air cleaner.*
5. Idles poorly.	<ul style="list-style-type: none"> A. Carburetor idle speed too slow.* B. Spark plug gap too close.* C. Carburetor idle mixture adjustment improperly set.*
6. Hard Starting or loss of power.	<ul style="list-style-type: none"> A. Adjust carburetor.* B. Remove any obstructions from air passages in shrouds. C. Clean cooling fins. D. Fill crankcase to proper oil level.

* NOTE: For repairs beyond the minor adjustments listed above, please contact your local Lawn Mower Service Shop.

STORAGE INSTRUCTIONS

Edger-trimmers stored for any length of time should be completely drained of fuel to prevent gum deposits forming on essential parts such as the carburetor and fuel tank. Such deposits may affect the operation of the engine when used again. Therefore, it is important that the following instructions be adhered to before starting engine. 1. Drain fuel tank completely. 2. Operate the engine until it stops from lack of fuel, to clean all gasoline out of carburetor. 3. While engine is still warm, drain the crank case. Refill with fresh oil. 4. Remove spark plug, and pour one ounce of oil into the cylinder. Pull starter rope on the engine to spread the oil. Replace spark plug. 5. Clean dirt and chaff from cylinder and cylinder head fins, blower housing, etc.

MAINTENANCE NOTES

MAINTENANCE NOTES

MAINTENANCE NOTES

HUSQVARNA WARRANTY STATEMENT

SECTION 1: LIMITED WARRANTY

Husqvarna Forest & Garden Company ("Husqvarna") warrants Husqvarna product to the original purchaser to be free from defects in material and workmanship from the date of purchase for the "Warranty Period" of the product as set forth below:
Lifetime Warranty (Parts and Labor): All tiller lines and trimmer shafts against breakage. Proof of purchase required.
Lifetime Warranty ("PARTS ONLY" after initial warranty expiration): Ignition coils and modules on handheld product.

Proof of purchase required.

WARRANTY SCHEDULE FOR TURF CARE EQUIPMENT - Zero Turn Riders

(New warranty applies to units sold after August 1, 2005. Also applies to units factory-equipped with R.O.P.S.)

EZ Zero Turn Riders: 3 year consumer warranty or 600 hours of use (when used solely at the owner's residence.)

EZ & MZ Zero Turn Riders: 1 year commercial warranty or 600 hours of use.

I, LZ & BZ Zero Turn Riders: 5 year commercial warranty or 1,500 hours of use.

I, LZ & BZ Zero Turn Riders: 5 year commercial warranty or 1,500 hours of use.

3 Year or 1,500 Hour Commercial Use Warranty: spindles on zero turn riders, hydraulic pumps and wheel motors.

Warranty Schedule for Turf Care Walk Behind Units - W, WG & WH Zero Turn Riders - 3 year consumer and commercial

2 Year COMMERCIAL and CONSUMER Warranty: all Husqvarna ground-engaging commercial equipment.

WARRANTY SCHEDULE FOR CONSUMER TURF CARE EQUIPMENT:

2 Year Consumer Warranty: Automatic mower, all Residential Zero Turn Riders, all lawn, yard and garden tractors, all

noncommercial walk behind mowers, tillers, snow blowers, electrical products and power-assist collection systems for

noncommercial, nonprofessional, noninstitutional or nonincome producing use, except as herein stated. All consumer

product use must have been limited to the owner's residence.

WARRANTY SCHEDULE FOR CONSUMER FOREST & GARDEN EQUIPMENT:

2 Year Consumer Warranty: all consumer chain saws, trimmers, brushcutters, clearing saws, handheld blowers, backpack

blowers, hedge trimmers, and electrical products for noncommercial, nonprofessional, noninstitutional or nonincome

producing use, except as herein stated. All consumer product use must have been limited to the owner's residence.

2 Year or 2,000 Hour Powertrain & 1 Year or 1,000 Hour Body Warranty: Husqvarna Utility Vehicles.

1 Year Warranty: Power cutters, stump grinder, pole pruners and pole saws for non-commercial, non-professional,

noninstitutional, non-municipality or non-income producing use. All 300 series trimmers, brushcutters, clearing saws,

hovering trimmers, stick edgers, backpack blowers, hand held blowers, hedge trimmers, power-assist collection systems for

commercial, institutional, professional or income producing purposes or use.

1 Year Conditional Component Warranty: Chain saw crankshafts for commercial/professional use (parts and labor). Saw

must be operated with Husqvarna XP 2 cycle oil.

90 Day Commercial Warranty: Automatic mower, chain saws, 100 series trimmers, power cutters, stump grinders, pole

saws, pole pruners, snow throwers, model series 580 & 600 walk-behind mowers, or any Husqvarna product used for

commercial, institutional, professional, municipality or income producing purposes or use except as otherwise provided herein.

Batteries: 1 year prorated limited warranty with 100% replacement during the first 6 months.

Rental Warranty: 90 days on all applicable professional equipment reference warranty time period charts

located in the back of the Retailer Warranty Policy & Procedure Manual.

Husqvarna Safety Apparel carries a 90-day warranty from the date of the customer's original purchase for defects in

material and workmanship. Normal wear, tear or abuse is not covered under warranty. Product must be returned to Charlotte

with a warranty claim form. All care and maintenance instructions must be followed as stated by the manufacturer on the

care label. The fit of the protective apparel/boot is not covered under warranty.

30 Day Warranty: Replacement parts, accessories including bars and chains, tools and display items. Emission control

system components necessary to comply with CARB-TIER II and EPA regulations, except for those components which are

part of engine systems manufactured by third part engine manufacturers for which the purchaser has received a separate

warranty with product at time of purchase.

SECTION 2: HUSQVARNA'S OBLIGATIONS UNDER THE WARRANTY

Husqvarna will repair or replace defective components without charge for parts or labor if a component fails because of a

defect in material or workmanship during the warranty period.

SECTION 3: ITEMS NOT COVERED BY THIS WARRANTY

The following items are not covered by this warranty:

(1) Normal customer maintenance items which become worn through normal regular use, including, but not limited to, belts,

blades, blade adapters, bulbs, clutches, clutch drums, filters, guide bars, lubricants, rewind springs, saw chain, spark plugs,

starter ropes and tiller lines;

(2) Natural discoloration of material due to ultraviolet light;

(3) Engine and drive systems not manufactured by Husqvarna; these items are covered by the respective manufacturer's

warranty as provided in writing with the product information supplied at the time of purchase; all claims must be sent to the

appropriate manufacturer;

(4) Lawn and garden attachments are covered by a third party which gives a warranty, all claims for warranty should be sent

to the manufacturer;

(5) Commercial or consumer mowing decks with sand abrasion damage.

(6) Emission Control System components necessary to comply with CARB-TIER II and EPA regulations which are

manufactured by third party engine manufacturer.

SECTION 4: EXCEPTIONS AND LIMITATIONS

This warranty shall be inapplicable to defects resulting from the following:

(1) Accident, abuse, misuse, negligence and neglect, including stale fuel, dirt, abrasives, moisture, rust, corrosion, or any

adverse reaction due to incorrect storage or use habits;

(2) Failure to operate or maintain the unit in accordance with the Owner's/Operator's manual or instruction sheet furnished

by Husqvarna;

(3) Alterations or modifications that change the intended use of the product or affects the product's performance, operation,

safety, or durability, or causes the product to fail to comply with any applicable laws; or

(4) Additional damage to parts or components due to continued use occurring after any of the above.

REPAIR OR REPLACEMENT AS PROVIDED UNDER THIS WARRANTY IS THE EXCLUSIVE REMEDY OF THE

PURCHASER. HUSQVARNA SHALL NOT BE LIABLE FOR ANY INCIDENTAL OR CONSEQUENTIAL DAMAGES FOR

BREACH OF ANY EXPRESS OR IMPLIED WARRANTY ON THESE PRODUCTS EXCEPT TO THE EXTENT

PROHIBITED BY APPLICABLE LAW. ANY IMPLIED WARRANTY OF MERCHANTABILITY OR FITNESS FOR A

PARTICULAR PURPOSE ON THESE PRODUCTS IS LIMITED IN DURATION TO THE WARRANTY PERIOD AS

DEFINED IN THE LIMITED WARRANTY STATEMENT. HUSQVARNA RESERVES THE RIGHT TO CHANGE OR

IMPROVE THE DESIGN OF THE PRODUCT WITHOUT NOTICE, AND DOES NOT ASSUME OBLIGATION TO UPDATE

PREVIOUSLY MANUFACTURED PRODUCTS.

Some states do not allow the exclusion of incidental or consequential damages, or limitations on how long an implied

warranty lasts, so the above limitations or exclusions may not apply to you. This warranty gives you specific legal rights, and

you may also have other rights which vary from state to state.

SECTION 5: CUSTOMER RESPONSIBILITIES

The product must exhibit reasonable care, maintenance, operation, storage and general upkeep as written in the

maintenance section of the Owner's/Operator's manual. Should an operational problem or failure occur, the product should

not be used, but delivered as is to an authorized Husqvarna retailer for evaluation. Proof of purchase, as explained in

section 6, rests solely with the customer.

SECTION 6: PROCEDURE TO OBTAIN WARRANTY CONSIDERATION

It is the Owner's and Retailer's responsibility to make certain that the Warranty Registration Card is properly filled out and

mailed to Husqvarna Forest & Garden Company. This card should be mailed within ten (10) days from the date of purchase

in order to confirm the warranty and to facilitate post-sale service.

Proof of purchase must be presented to the authorized Husqvarna retailer in order to obtain warranty service. This proof

must include date purchased, model number, serial number, and complete name and address of the selling retailer.

To obtain the benefit of this warranty, the product believed to be defective must be delivered to an authorized Husqvarna

retailer in a timely manner, no later than thirty (30) days from date of the operational problem or failure. The product must be

delivered at the owner's expense. Downtime, pick-up and delivery charges are not covered by this warranty. An authorized

Husqvarna retailer can be normally located through the "Yellow Pages" of the local telephone directory or by calling 1-800-

HUSKY62 for a retailer in your area.

HUSQVARNA

7349 Statesville Road

Charlotte, NC 28269

2008

Free Manuals Download Website

<http://myh66.com>

<http://usermanuals.us>

<http://www.somanuals.com>

<http://www.4manuals.cc>

<http://www.manual-lib.com>

<http://www.404manual.com>

<http://www.luxmanual.com>

<http://aubethermostatmanual.com>

Golf course search by state

<http://golfingnear.com>

Email search by domain

<http://emailbydomain.com>

Auto manuals search

<http://auto.somanuals.com>

TV manuals search

<http://tv.somanuals.com>