

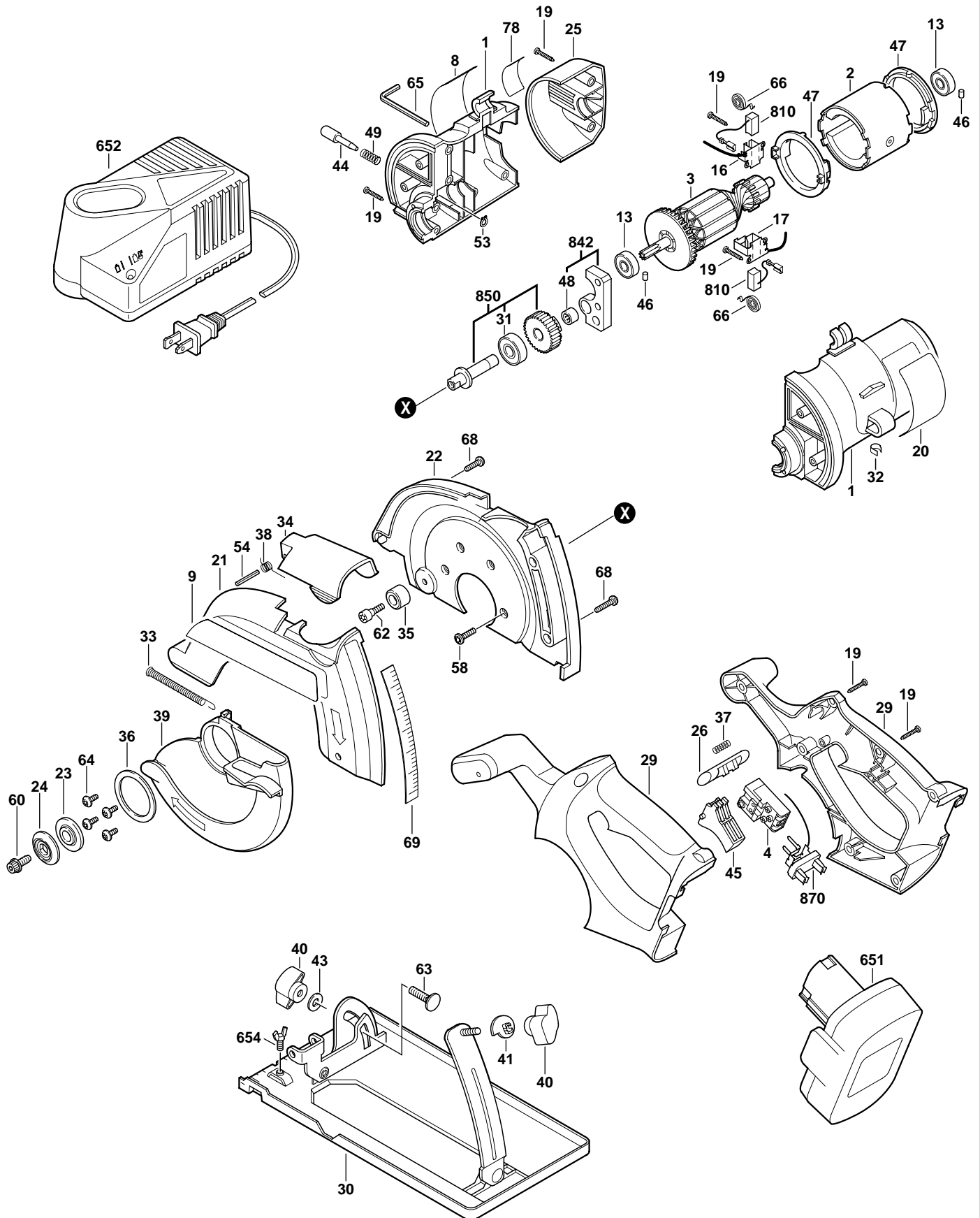
BOSCH

April 2001
INDUSTRIAL

14.4V CIRCULAR SAW

Model 0601661439

1661



1661 14.4V CIRCULAR SAW

Pos.	Part Number	Description {Qty.}	F/C	Pos.	Part Number	Description {Qty.}	F/C
1	2 610 997 458	Motor Housing Assembly	71	41	2 610 997 457	Indicator	9
2	1 615 100 008	Field	22	43	2 610 068 566	Washer	65
3	2 610 909 087	Armature w/Fan	AW	44	2 610 997 464	Pin	66
4	2 610 997 469	Switch On/Off	15	45	2 610 997 461	Switch Lever	64
8	2 610 997 929	Nameplate	9	46	2 610 350 103	Rubber Pin {2}	66
9	2 610 997 930	Label	9	47	1 610 290 043	Locating Ring {2}	80
13	2 610 351 861	Ball Bearing {2}	60	48	1 600 910 018	Needle Bearing	56
16	2 610 997 519	Brush Holder	25	49	2 610 356 528	Spring	27
17	2 610 997 518	Brush Holder	2	53	2 610 021 862	Retaining Ring	89
19	2 610 909 719	Screw {20}	89	54	2 610 015 968	Pin	66
20	2 610 997 935	Label	9	58	2 610 326 578	Screw {4}	89
21	2 610 997 497	Upper Guard	92	60	2 610 997 475	Blade Bolt	85
22	2 610 997 495	Upper Guard	92	62	2 610 309 976	Screw	89
23	2 610 997 474	Inner Washer	91	63	2 610 017 262	Carriage Bolt	89
24	2 610 997 472	Outer Washer	91	64	2 610 907 295	Screw {4}	89
25	2 610 997 459	Motor Housing Cover	70	65	2 610 307 033	Allen Wrench 5/32"	9
26	2 610 997 470	Lock Button	63	66	2 610 907 388	Brush Spring {2}	27
29	2 610 997 927	Handle Assembly	74	68	2 610 323 540	Screw {4}	89
30	2 610 997 903	Foot Assembly	88	69	2 610 997 934	Scale	9
31	2 610 904 891	Ball Bearing	51	78	2 610 997 925	Label	9
32	2 610 997 508	Spring	27	651	2 610 908 568	Battery 14.4V	18
33	2 610 997 489	Spring	27	653	2 607 224 445	Multi-Volt Charger	18
34	2 610 997 501	Cover	92	654	2 610 018 222	Wing Screw	89
35	2 610 029 568	Stop	9	810	1 617 014 131	Brush Set	26
36	2 610 386 556	Washer	65	842	2 610 997 509	Bearing Plate Assembly	38
37	2 610 023 060	Spring	27			w/pos. 48	
38	2 610 997 507	Spring	27	850	2 610 912 428	Gear & Shaft Assembly	32
39	2 610 997 499	Lower Guard	92			w/pos. 31	
40	2 610 968 431	Knob {2}	63	870	2 610 997 911	Power Clip Assembly	10

Service Notes:

Free Manuals Download Website

<http://myh66.com>

<http://usermanuals.us>

<http://www.somanuals.com>

<http://www.4manuals.cc>

<http://www.manual-lib.com>

<http://www.404manual.com>

<http://www.luxmanual.com>

<http://aubethermostatmanual.com>

Golf course search by state

<http://golfingnear.com>

Email search by domain

<http://emailbydomain.com>

Auto manuals search

<http://auto.somanuals.com>

TV manuals search

<http://tv.somanuals.com>