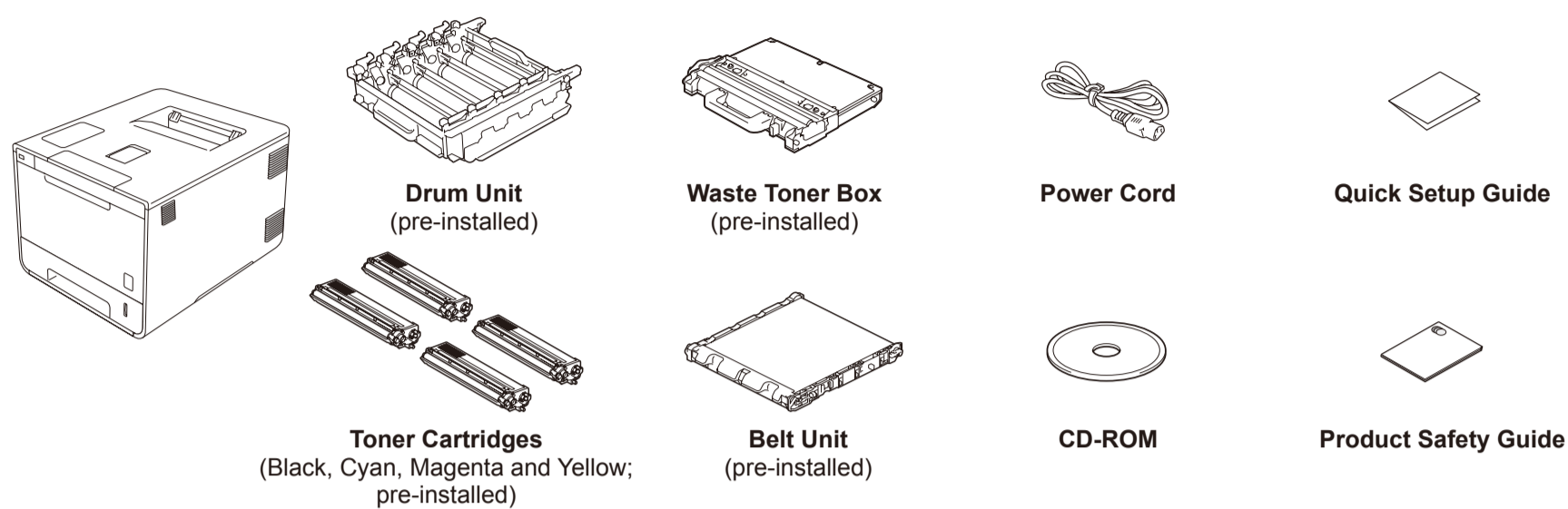


Unpack the machine and check the components

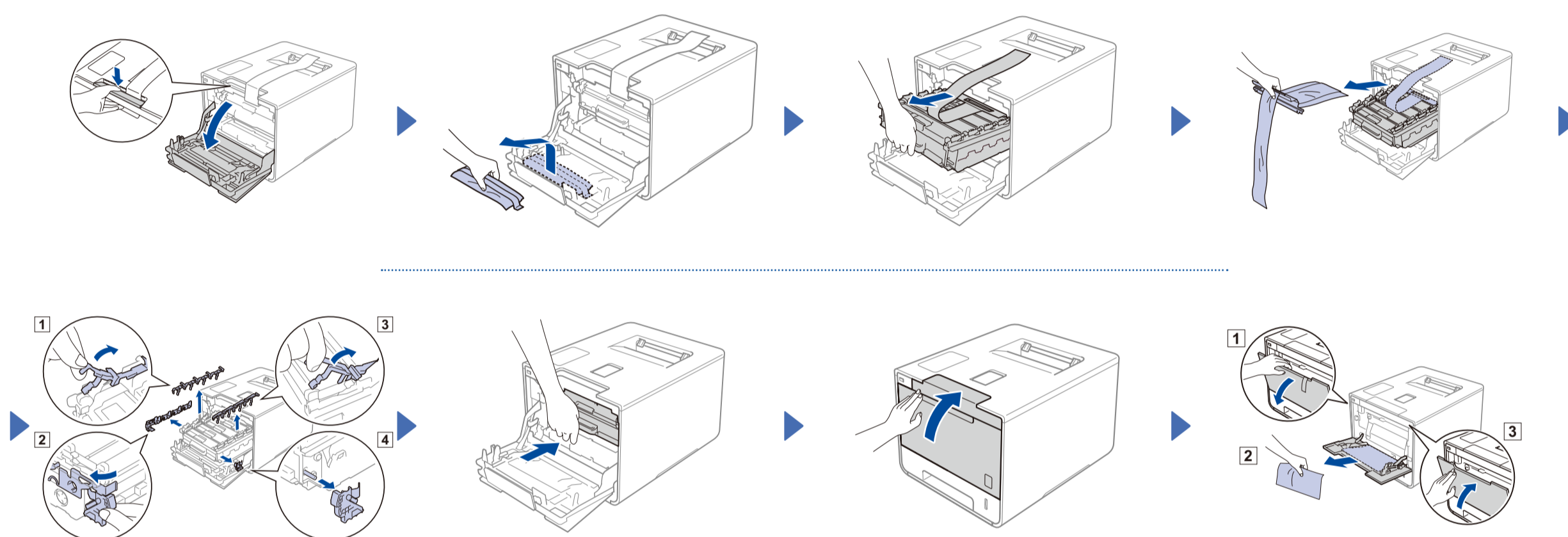


Read the Product Safety Guide first, and then read this Quick Setup Guide for the correct installation procedure.

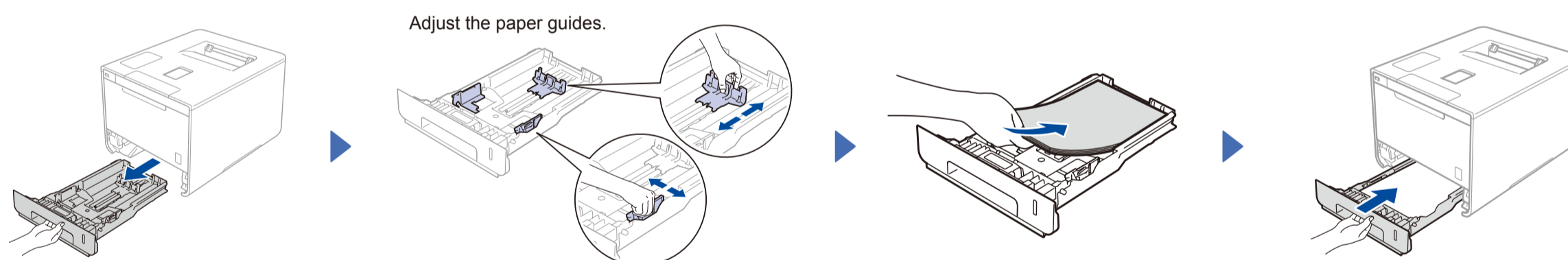
NOTE:

- The components included in the box and the AC power plug connection may differ depending on your country.
- The illustrations in this Quick Setup Guide are based on the HL-L8350CDW.
- You must purchase the correct interface cable for the interface you want to use:
 - USB cable**
We recommend using a USB 2.0 cable (Type A/B) that is no more than 6 feet (2 meters) long.
 - Network cable**
Use a straight-through Category 5 (or greater) twisted-pair cable for 10BASE-T or 100BASE-TX Fast Ethernet Network.

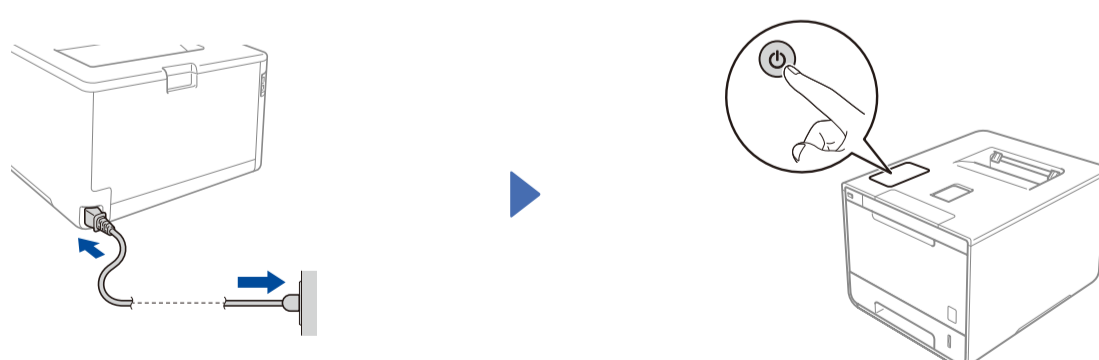
1 Remove the packing material from the machine



2 Load paper in the paper tray



3 Connect the power cord and turn on the machine



The machine's LCD displays **Ready**. ▶ Go to step **4**
The machine's LCD displays **Setup Wi-Fi?**. ▶ Go to step **5**

4 Select your language

- Press **▲** or **▼** to display **General Setup**, and then press **OK**.
- Press **OK** to select **Local Language**.
- Press **▲** or **▼** to select your language, and then press **OK**.
Go to step **6**.

5 Wireless setup for WLAN models only

If the machine's LCD displays **Setup Wi-Fi?** after you turn on, do one of the following:

(To change the language)
Press **▼** to select **No**, and then back to step **4**.

(To connect your computer)
Press **▼** to select **No**, and then go to step **6**.

(To connect your mobile device)
Press **▲** to select **Yes**, and then go to **Print using your mobile device** in step **6**.

Free Manuals Download Website

<http://myh66.com>

<http://usermanuals.us>

<http://www.somanuals.com>

<http://www.4manuals.cc>

<http://www.manual-lib.com>

<http://www.404manual.com>

<http://www.luxmanual.com>

<http://aubethermostatmanual.com>

Golf course search by state

<http://golfingnear.com>

Email search by domain

<http://emailbydomain.com>

Auto manuals search

<http://auto.somanuals.com>

TV manuals search

<http://tv.somanuals.com>