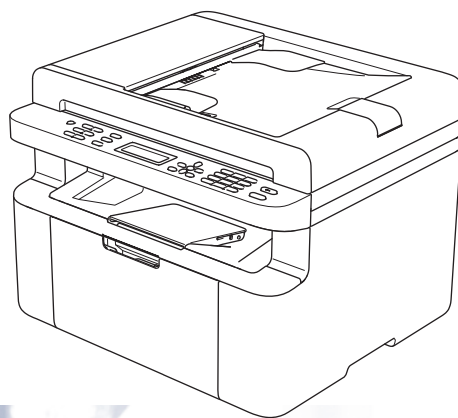


User's Guide

DCP-1518
MFC-1813
MFC-1818



To create a better environment

Please cooperate

Firstly, thank you very much indeed for using our Brother products!

Brother focuses on the earth environment concerned. And make a basic policy which is to concern about the earth environment, including any workflow from product development to discard. The local citizen should be responsible for local society and its environment during these environment protection activities.

Therefore, we hope you'll take part in this environment plan, and pay attention to environment protection points as below while discarding used consumables.

- 1 Please deliver the used package materials to relevant waste disposal office for recycle.
- 2 When you discard used consumables, please follow and carry on relevant local regulations properly.
- 3 When the machine need replacing parts for the maintenance and repair, please discard used circuit boards, used electrical parts and products as disposed electrical materials.
- 4 The power consumption is 0 W after you turn off the machine and unplug it from the AC outlet.
- 5 Some parts in the machine can be used on the same series model machines which are produced in the same factory.

Note: If any parts need replacing in your machine, please contact Brother Authorize Service Centers.

CHINA ENVIRONMENTAL LABELLING NOTICE

- 1 Machines with an LWAd > 63.0 dB(A) are recommended to be set up in separate rooms due to their noise emissions.
- 2 The machine can use recycled paper.
- 3 Ensure that during use the machine is used in a well ventilated area.
- 4 Brother will accept machines and consumables for recycling. For details of the return scheme please refer to the webpage <http://www.brother.cn/company/info/declaration/20090304.html>.

Brother numbers

IMPORTANT

For technical and operational help, you must call the country where you bought the machine. Calls must be made **from within** that country.

To search Frequently asked questions(FAQs) /ASCs /Drivers/Manuals, etc, please visit our service website:

www.95105369.com

To search for where you can purchase consumables, please visit the official website of BROTHER (CHINA) LTD.:

www.brother.cn

User's Guides and where do I find them?

Which Guide?	What's in it?	Where is it?
Product Safety Guide	Read this Guide first. Please read the Safety Instructions before you set up your machine. See this Guide for trademarks and legal limitations.	For Chinese: Printed / In the box For Chinese English: (Windows® only) PDF file / Installer CD-ROM / In the box
Quick Setup Guide	Follow the instructions for setting up your machine and installing the drivers and software for the operating system and connection type you are using.	For Chinese: Printed / In the box For Chinese English: (Windows® only) PDF file / Installer CD-ROM / In the box
User's Guide	Learn the Fax (MFC-1813 and MFC-1818 only), Scan and Copy operations. See troubleshooting tips and machine specifications.	For Chinese: Printed / In the box For Chinese English: (Windows® only) PDF file / Installer CD-ROM / In the box
Software User's Guide	Follow these instructions for Printing, Scanning, Remote Setup (MFC-1813 and MFC-1818 only), PC-Fax (MFC-1813 and MFC-1818 only), and using the Brother ControlCenter utility.	(Windows® only) PDF file / Installer CD-ROM / In the box

Table of Contents

1	General information	1
	Using the documentation.....	1
	Symbols and conventions used in the documentation	1
	Accessing Brother Utilities (Windows® 8).....	2
	Accessing the Software User's Guide	2
	Viewing Documentation.....	2
	Control panel overview	4
	Menu and features for MFC models	7
	On-screen programming.....	7
	Menu table.....	8
	0.Initial Setup.....	9
	1.General Setup	11
	2.Fax.....	12
	3.Copy	19
	4.Printer	20
	5.Print Reports.....	21
	6.Machine Info	21
	Menu and features for DCP models	23
	On-screen programming.....	23
	Menu table.....	24
	1.General Setup	24
	2.Copy	26
	3.Printer	27
	4.Machine Info	27
	Entering text (MFC-1813 and MFC-1818).....	29
	Ecology features.....	30
	Deep Sleep mode.....	30
	Auto Power Off (DCP-1518 only)	30
	Toner Settings	30
	Toner Setting (Continue mode)	30
	Receiving faxes in Continue Mode (MFC-1813 and MFC-1818 only).....	31
2	Paper Setting	32
	Paper settings.....	32
	Paper Type	32
	Paper Size	32
	Acceptable paper.....	32
	Recommended paper and print media	32
	Paper capacity of the paper tray.....	32
3	Loading documents	34
	How to load documents	34
	Using the automatic document feeder (ADF) (MFC-1813 and MFC-1818)...	34
	Using the scanner glass	34
4	Sending a fax (MFC-1813 and MFC-1818)	36

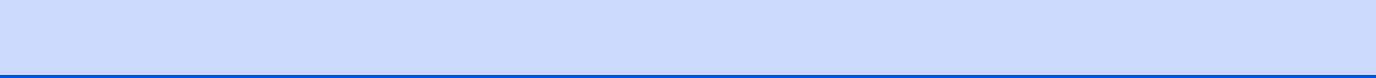
	How to send a fax	36
	Cancelling a fax in progress	36
	Broadcasting.....	37
5	Receiving a fax (MFC-1813 and MFC-1818)	38
	Fax Receive modes	38
6	Dialling and storing numbers (MFC-1813 and MFC-1818)	39
	Storing numbers	39
	Storing Speed Dial numbers.....	39
	Changing or Deleting Speed Dial numbers	39
	How to dial.....	40
	Manual dialling.....	40
	Speed dialling	40
	Search	40
	Redial	40
	Caller ID feature	40
7	Using PC-FAX (MFC-1813 and MFC-1818)	42
	PC-FAX Receive (For Windows® only).....	42
	PC-FAX sending.....	43
	Sending a file as a PC-FAX.....	43
8	Making copies	45
	How to copy	45
	ID COPY	46
	Double-sided ID copy	46
	One-sided ID copy.....	47
	Other copies	48
9	How to scan to a computer	50
	Scanning a document as a PDF file using ControlCenter4	50
	Scanning using the SCAN key.....	53
	SCAN key settings.....	53
A	Troubleshooting and other information	55
	Consumable items	55
	Identifying your problem	56
	Error and maintenance messages.....	57
	If you are having difficulty with your machine	59
	Telephone and Fax problems (MFC-1813 and MFC-1818)	59
	Improving the print quality.....	61
	Document Jams (MFC-1813 and MFC-1818)	66
	Paper Jams.....	67
	Transferring your faxes or Fax Journal report (MFC-1813 and MFC-1818)	69

Transferring faxes to another fax machine	69
Transferring faxes to your PC.....	69
Transferring the Fax Journal report to another fax machine	70
Cleaning and Checking the machine	70

B	Specifications	71
----------	-----------------------	-----------

General	71
Document Size	73
Print media.....	74
Fax.....	75
Copy	76
Scanner	77
Printer	78

C	Index	79
----------	--------------	-----------



Using the documentation

Thank you for buying a Brother machine! Reading the documentation will help you make the most of your machine.

Symbols and conventions used in the documentation

The following symbols and conventions are used throughout the documentation.

WARNING

WARNING indicates a potentially hazardous situation which, if not avoided, could result in death or serious injuries.

IMPORTANT

IMPORTANT indicates a potentially hazardous situation which, if not avoided, may result in damage to property or loss of product functionality.

NOTE

Notes tell you how you should respond to a situation that may arise or give tips about how the current operation works with other features.



Prohibition icons indicate actions that must not be performed.



Electrical Hazard icons alert you to a possible electrical shock.



Hot Surface icons warn you not to touch machine parts that are hot.



Fire hazard icons alert you to the possibility of fire.

Bold Bold style identifies keys on the machine's control panel or on the computer screen.

Italics Italicized style emphasizes an important point or refers you to a related topic.

`Courier New` Courier New font identifies the messages shown on the LCD of the machine.

Follow all warnings and instructions marked on the product.

NOTE

Most of the illustrations in this User's Guide show the MFC-1813.

Accessing Brother Utilities (Windows® 8)

If you are using a tablet running Windows® 8, you can make your selections either by tapping the screen or by clicking with your mouse.

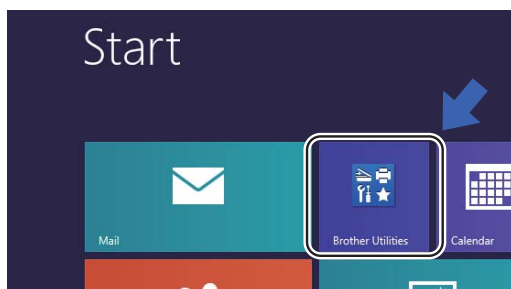
After the printer driver is installed, the



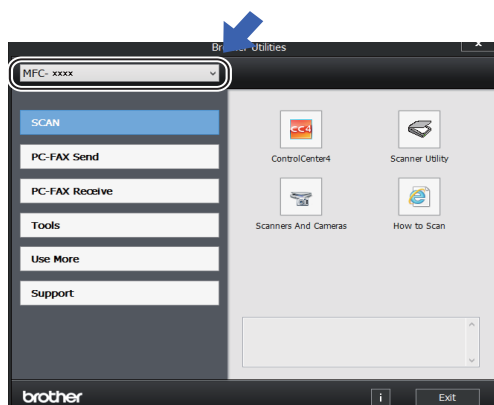
(Brother Utilities) appears on both

the Start screen and the desktop.

- 1 Tap or click **Brother Utilities** either on the Start screen or the desktop.



- 2 Select your machine.



- 3 Choose the function you want to use.

Accessing the Software User's Guide

This User's Guide does not contain all the information about the machine such as how to use the advanced features for Printer, Scanner and PC-Fax¹. When you are ready to learn detailed information about these operations, read the Software User's Guide that is on the installer CD-ROM for Windows® users.

Macintosh users can read the Software User's Guide by downloading it from the Brother Solutions Center (<http://solutions.brother.com/>).

¹ MFC-1813 and MFC-1818

Viewing Documentation

Viewing Documentation (Windows®)

(Windows® 7/Windows Vista®/Windows® XP)

To view the documentation, from the



(Start) menu, select **All Programs, Brother, MFC-XXXX** or **DCP-XXXX** (where XXXX is your model name) from the programs list, and then choose **User's Guides**.

(Windows® 8)

Click  **(Brother Utilities)**, and then


click the drop-down list and select your model name (if not already selected). Click **Support** in the left navigation bar, and then click **User's Guides**.

If you have not installed the software, you can find the documentation on the installer CD-ROM by following the instructions below:

- 1 Turn on your computer. Insert the installer CD-ROM into your CD-ROM drive.

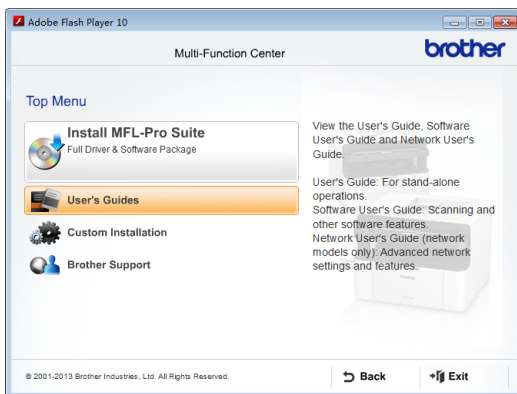
NOTE

If the Brother screen does not appear, go to **Computer (My Computer)**. (For

Windows® 8: Click the  (**File**

Explorer) icon on the taskbar, and then go to **Computer**.) Double-click the CD-ROM icon, and then double-click **start.exe**.

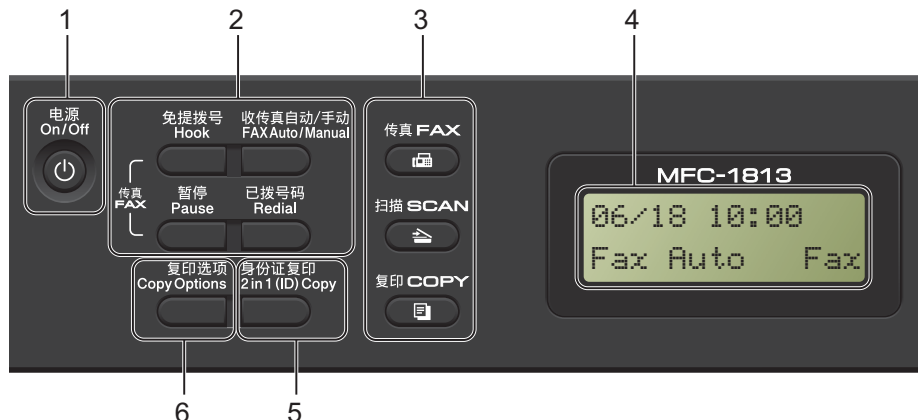
- 2 If the model name screen appears, click your model name.
- 3 If the language screen appears, click your language. The CD-ROM Top Menu will appear.





- 4 Click **User's Guides**.
- 5 Click **PDF/HTML documents**. If the country screen appears, choose your country, and then click the document you want to read.

Control panel overview

The illustrations of the control panel in this User's Guide show the MFC-1813.



1 On/Off

Press  to turn the machine on. Press and hold down  to turn the machine off.

2 Hook (For MFC-1813 only) or Hook/Hold (For MFC-1818 only)

Press before dialling if you want to make sure a fax machine will answer, and then press **Start**.

(MFC-1818 only)

Lets you place telephone calls on hold.

Redial

You can redial the last 20 numbers called.

Pause

Inserts a 3.5 second pause when programming speed dial numbers or when dialling a number manually.

Fax Auto/Manual

Switches the receive mode between Fax Auto or Manual.

3 Mode keys:

FAX

Puts the machine in FAX mode. Fax mode is the default mode.

SCAN

Puts the machine in SCAN mode.

COPY

Puts the machine in COPY mode.

4 LCD

Displays messages to help you set up and use your machine.

5 2 in 1 (ID) Copy

You can copy your Identification card both sides onto one page with the original size.

6 Copy Options

You can quickly and easily choose temporary settings for copying.



7 Menu keys:

Clear

Deletes entered data or lets you cancel the current setting.

Menu

Lets you access the Menu to program your settings in the machine.

OK

Lets you store your settings and confirm LCD messages on the machine.

Volume keys:

◀ or ▶

Press to scroll backwards or forwards through menu selections. Press to change the volume when in fax or standby mode.

▲ or ▼

Press to scroll through the menus and options.

▲ Address Book

Lets you access speed dial numbers directly.

8 Dial pad

Use these keys to dial telephone and fax numbers and as a keyboard for entering information into the machine.

(MFC-1818 only)

The # key temporarily switches the dialling mode from Pulse to Tone during a telephone call.

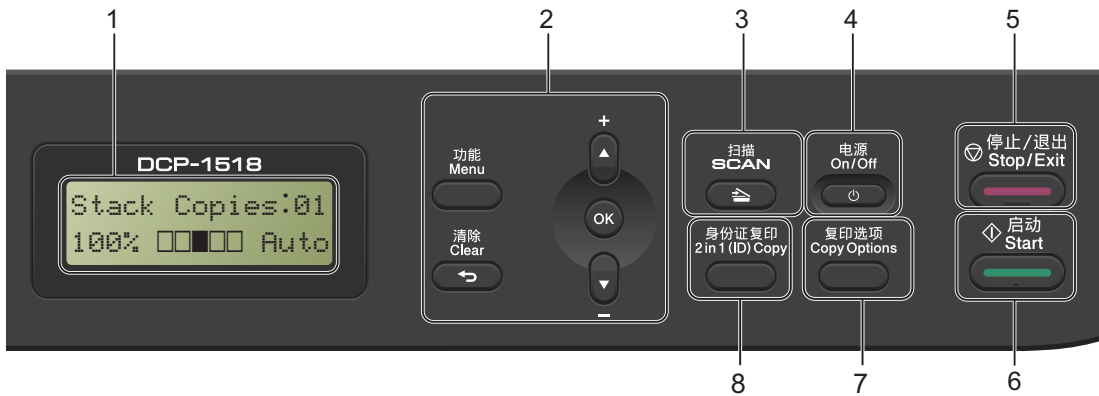
9 Stop/Exit

Stops an operation or exits from a menu. Press this key to cancel the print job.

10 Start

Lets you start sending faxes, scanning or making copies.

DCP-1518

**1 LCD**

Displays messages to help you set up and use your machine.

2 Menu keys:**Menu**

Lets you access the Menu to program your settings in the machine.

Clear

Deletes entered data or lets you cancel the current setting.

OK

Lets you store your settings and confirm LCD messages on the machine.



▼ or ▲

Press to scroll through the menus and options.

3 SCAN

Puts the machine in SCAN mode.

4 On/Off

Press  to turn the machine on. Press and hold down  to turn the machine off.

5 Stop/Exit

Stops an operation or exits from a menu. Press this key to cancel the print job.

6 Start

Lets you start making copies or scanning.

7 Copy Options

You can quickly and easily choose temporary settings for copying.

8 2 in 1 (ID) Copy

You can copy your Identification card both sides onto one page with the original size.

Menu and features for MFC models

On-screen programming

Your machine has been designed to be easy to use. The LCD provides on-screen programming using the menu keys.

How to access the menu mode

- 1 Press **Menu**.
- 2 Choose an option.
 - Press **0** for `Initial Setup` menu.
 - Press **1** for `General Setup` menu.
 - Press **2** for `Fax` menu.
 - Press **3** for `Copy` menu.
 - Press **4** for `Printer` menu.
 - Press **5** for `Print Reports` menu.
 - Press **6** for `Machine Info.` menu.
 - Press **9** for `Service` menu.¹

¹ This will appear only when the LCD shows an error message.

You can also scroll through each menu level by pressing **▲** or **▼** for the direction you want.

- 3 Press **OK** when the option you want appears on the LCD. The LCD will then show the next menu level.
- 4 Press **▲** or **▼** to scroll to your next menu selection.
- 5 Press **OK**. When you have finished setting an option, the LCD will show `Accepted`.
- 6 Press **Stop/Exit** to exit Menu mode.

Menu table

Using the menu table, you can change the settings in your machine by pressing the number keys or ▲ and ▼ and **OK**.

Press **Menu**, and then according to what is shown on the LCD, press the number keys or ▲ and ▼ to highlight different menu options. Press **OK** to select an option.

In the below example, the ring volume setting is changed from **Med** to **Low**.

① General Setup

Level 2	Level 3	Descriptions 1	Options
③ Volume	① Ring	Adjust the ring volume.	Low Med* High Off

- ① Press **Menu**.
- ② Press **1** to choose **General Setup**.
- ③ Press **3** to choose **Volume**.
- ④ Press **1** to choose **Ring**.
- ⑤ Press ▲ or ▼ to display **Low**.
- ⑥ Press **OK**.
- ⑦ Press **Stop/Exit**.

0.Initial Setup

0.Initial Setup

Level 2	Level 3	Descriptions 1	Options	Descriptions 2	Page
1.Date&Time	—	Puts the date and time on the LCD and in headings of faxes you send if you set up the station ID.	Year:20	Enter the last two digits of the year on the dial pad, and then press OK .	
			Month:	Enter the two digits for the month on the dial pad, and then press OK . (e.g. Enter 0, 1 for January.)	
			Day:	Enter the two digits for the day on the dial pad, and then press OK . (e.g. Enter 0, 1 for 1st.)	
			Time:	Enter the time in 24-hour format on the dial pad, and then press OK . (e.g. Enter 1, 5, 2, 5 for 15:25.)	
2.Station ID	—	Sets up your name and fax number to appear on each page you fax.	Fax:	Enter your fax number (up to 20 digits) on the dial pad, and then press OK .	
			Tel:	Enter your telephone number (up to 20 digits) on the dial pad, and then press OK . If your telephone number and fax number are the same, enter the same number again.	
			Name:	Use the dial pad to enter your name (up to 20 characters), and then press OK .	29
3.Tone/Pulse	—	Chooses the dialling mode.	Tone*	Your machine comes set for Tone dialling service.	
			Pulse	If you have Pulse dialling service (rotary), you need to change the dialling mode.	
The factory settings are shown in Bold with an asterisk.					

0.Initial Setup (continued)

Level 2	Level 3	Descriptions 1	Options	Descriptions 2	Page
4.Dial Tone	—	You can shorten the dial tone detect pause.	Detection	Your machine will dial as soon as it detects a dial tone.	
			No Detection*	When you send a fax automatically, by default your machine will wait for a fixed amount of time before it starts to dial the number.	
5.Dial Prefix	—	Sets a prefix number that will always be added before the fax number every time you dial.	—	Enter the prefix number (up to 5 digits) on the dial pad, and then press OK . The dial prefix setting will automatically dial a predefined number before every fax number you dial. For example: If your phone system requires a 9 to dial an outside number this setting will automatically dial 9 for every fax you send.	
6.Reset	1.Address & Fax	Restores all stored phone numbers and fax settings.	1.Reset		
			2.Exit	Cancel restore and exit the menu.	
	2.All Settings	Restores all the machine settings to factory default.	1.Reset		
			2.Exit	Cancel restore and exit the menu.	
0.Local Language	—	Allows you to change the LCD language.	中文 *	Changes the LCD language to Chinese.	
			English	Changes the LCD language to English.	
The factory settings are shown in Bold with an asterisk.					

1.General Setup

1.General Setup

Level 2	Level 3	Descriptions 1	Options	Descriptions 2	Page	
1.Mode Timer	—	You can set how much time the machine takes after the last Copy or Scan operation to return to Fax mode.	0 Sec	Return to the fax mode at once.		
			30 Secs			Return to the fax mode after the time you choose.
			1 Min			
			2 Mins*			
			5 Mins			
			Off	The machine will stay in the mode you used last.		
2.Paper	1.Paper Type		Plain* Recycled Paper		32	
	2.Paper Size	Sets the size of the paper in the paper tray.	A4* Letter Legal Folio		32	
3.Volume	1.Ring	Adjusts the ring volume.	Low Med* High Off			
	2.Beeper	When the beeper is on,the machine will beep when you press a key, make a mistake, or after you send or receive a fax.	Low Med* High Off			
	3.Speaker	Adjusts the speaker volume.	Low Med* High Off			
4.Ecology	1.Toner Save	You can save toner using this feature.	On	Increases the page yield of the toner cartridge. When you set Toner Save to On, print appears lighter.		
			Off*			
The factory settings are shown in Bold with an asterisk.						

1. General Setup (continued)

Level 2	Level 3	Descriptions 1	Options	Descriptions 2	Page
5. LCD Contrast	—	Adjusts the contrast of the LCD.	-□□□■+ -□□■□+ -□■□□+* -■□□□+ -■□□□+	Press ► to make the LCD darker, or press ◀ to make the LCD lighter.	
6. Scan Size	—	Adjusts the scan area to the size of the document.	A4* Letter		
7. Replace Toner	—	Sets the machine to continue or stop printing after the LCD shows Replace Toner .	Continue	The machine will continue printing. Replace the toner cartridge with a new one after the LCD shows Toner Ended .	30
			Stop*	The machine will stop printing. Replace the toner cartridge with a new one.	
The factory settings are shown in Bold with an asterisk.					

2. Fax

2. Fax

Level 2	Level 3	Descriptions 1	Options	Descriptions 2	Page
1. Setup Receive (In FAX mode only)	1. Receive Mode	You can choose the receive mode that best suits your needs.	Fax Auto*	Your machine automatically answers every call as a fax. However, you can answer the call within the number of rings. Fax Auto is displayed on the LCD when set.	38
			Fax/Tel	Your machine controls the line and automatically answers every call. If the call is not a fax, the phone will ring for you to pick up the call. Fax/Tel is displayed on the LCD when set.	
The factory settings are shown in Bold with an asterisk.					

2.Fax (continued)

Level 2	Level 3	Descriptions 1	Options	Descriptions 2	Page
1.Setup Receive (In FAX mode only) (Continued)	1.Receive Mode (Continued)		External TAD (MFC-1813)	Your external telephone answering device (TAD) automatically answers every call. Voice messages are stored on the external TAD. Fax messages are automatically printed. External TAD is displayed on the LCD when set.	
			Manual	You control the phone line and must answer every call yourself. Manual is displayed on the LCD when set.	
	2.Ring Delay	Sets the number of times the machine rings before it answers in Fax Auto and Fax/Tel modes.	(00 - 10) 02* (MFC-1813) 04* (MFC-1818)	If you have external or extension telephones on the same line as the machine, choose the maximum number of rings.	
	3.Fax Detect	Receives fax messages without pressing Start . When Fax Detect is On , you can receive fax messages without pressing Start .	On*	The machine can receive a fax automatically, even if you answer the call.	
			Semi (MFC-1818)	The machine will only receive a fax call automatically if you answered it using the machine's handset.	
			Off	If you are at the machine and answer a fax call first by lifting the handset of an external telephone (MFC-1813 only) or the machine (MFC-1818 only), press Start .	
The factory settings are shown in Bold with an asterisk.					


2.Fax (continued)

Level 2	Level 3	Descriptions 1	Options	Descriptions 2	Page
1. Setup Receive (In FAX mode only) (Continued)	4. Auto Reduction	The machine calculates the reduction ratio by using the page size of the fax and your Paper Size setting. (Menu, 1, 2, 2)	On*	If you choose On , the machine automatically reduces each page of an incoming fax to fit on one page of A4, Letter, Legal or Folio size paper.	
			Off		
	5. Memory Receive	Automatically stores any incoming faxes in its memory if it runs out of paper. The machine will carry on receiving the current fax, with the remaining pages being stored in memory, if enough memory is available.	On*	Further incoming faxes will also be stored into memory until the memory is full. When the memory is full the machine will stop automatically answering calls. To print the faxes, put fresh paper in the tray and press Start .	
			Off	Further incoming faxes will not be stored in memory. The machine will then stop automatically answering calls until fresh paper is put in the paper tray. To print the last fax you received, put fresh paper in the tray and press Start .	
	6. Print Density	You can adjust the Print Density setting to make your printed pages darker or lighter.	-□□□■+ -□□■□+ -□■□□+* -■□□□+ -■□□□+	Press ► to make darker, press ◀ to make lighter.	
	The factory settings are shown in Bold with an asterisk.				

2.Fax (continued)

Level 2	Level 3	Descriptions 1	Options	Descriptions 2	Page	
2.Setup Send	1.Contrast	Changes the lightness or darkness of faxes you send.	Auto*	Auto will give the best results. It automatically chooses a suitable contrast for your document.		
			Light	If your document is too light, choose Light.		
			Dark	If your document is too dark, choose Dark.		
	2.Fax Resolution	Sets the default resolution for outgoing faxes. The quality of an outgoing fax can be improved by changing the Fax Resolution.		Standard*	Suitable for most typed documents.	
				Fine	Good for small print and transmits a little slower than Standard resolution.	
				S.Fine	Good for small print or artwork and transmits slower than Fine resolution.	
				Photo	Use when the document has varying shades of grey or is a photograph. This has the slowest transmission time.	
	3.Overseas Mode	If you are having difficulty sending a fax overseas due to a bad connection, then turning on Overseas Mode may help.		On	Turn this feature on if you are having difficulties sending faxes overseas. This feature will stay on for the next fax only.	
				Off*	Keep this setting Off when the network connection is good and you can send an overseas fax successfully.	
	The factory settings are shown in Bold with an asterisk.					

2.Fax (continued)

Level 2	Level 3	Descriptions 1	Options	Descriptions 2	Page
3.Anti-Junk Fax	1.Register	If you do not want to receive a fax/call from the specific numbers, you can register the numbers up to 100 to the Anti-Junk Fax list.		Choose the number you want to register to the Anti-Junk Fax list by pressing ▲ and ▼ . Press OK and then press 1 .	
	2.Delete	You need to apply for the Caller ID service at your local telephone company. You can not choose the numbers that is not stored in the Caller ID memory.		Choose the number you want to delete from the Anti-Junk Fax list by pressing ▲ and ▼ . Press OK and then press 1 .	
	3.Print Report			You can print a list of registered fax/telephone numbers in the Anti-Junk Fax list.	
4.Address Book	1.Speed Dial	Stores up to 99 Speed Dial numbers. Press  (Address Book) ▲ twice and enter the two digit Speed Dial number.	—		
5.Report Setting	1.Transmission	You can use the Transmission Verification Report as proof that you sent a fax. This lists the receiving party's name or fax number, the time and date of transmission, duration of transmission, number of pages sent, and whether or not the transmission was successful.	On	Prints a report after every fax you send.	
			On+Image	Prints a report after every fax you send. A portion of the fax's first page appears on the report.	
			Off*	Prints a report if your fax is unsuccessful due to a transmission error. Saves paper consumption when this option is Off .	
			Off+Image	Prints a report if your fax is unsuccessful due to a transmission error. A portion of the fax's first page appears on the report.	
The factory settings are shown in Bold with an asterisk.					

2.Fax (continued)

Level 2	Level 3	Descriptions 1	Options	Descriptions 2	Page
5. Report Setting (Continued)	2. Journal Period	Sets the interval for automatic printing of the Fax Journal. The Fax Journal is a list of information about your last 200 incoming and outgoing faxes.	Off	If you set the interval to Off, you can still print the report manually from the Print Reports menu.	
			Every 50 Faxes*	The machine will print the Journal when the machine has stored 50 jobs.	
			Every 6 Hours Every 12 Hours Every 24 Hours Every 2 Days Every 7 Days	The machine prints the report at the selected time and then erases all jobs from its memory.	
6. Remote Fax Opt	1. PC Fax Receive	Sets the machine to send faxes to your PC. If you choose On, you can turn on the safety feature Backup Print.	On		42
			Off*		
	2. Print Document	If you turn on the PC-Fax Receive feature and your machine stores received faxes in memory, you can print a fax from the memory.	—		
7. Remaining Jobs		You can check which jobs are in the memory and lets you cancel scheduled jobs.	[XXX]	Please follow the prompts on the LCD.	37
0. Miscellaneous	1. Compatibility	If you are having difficulty sending or receiving a fax due to possible interference on the telephone line, adjust the equalization for compatibility to reduce the modem speed for fax operations.	Normal*	Sets the modem speed at 14400 bps.	
			Basic (for VoIP)	Cuts the modem speed to 9600 bps and turns the error correction mode off. If you regularly experience interference on your standard telephone line try this setting.	

The factory settings are shown in Bold with an asterisk.

2.Fax (continued)

Level 2	Level 3	Descriptions 1	Options	Descriptions 2	Page
0.Miscellaneous (Continued)	2.Fax Mode	You can choose the transmission process when sending or receiving a fax manually at the end of a conversation.	Easy Mode*	If you are a receiver and there is no document in the ADF, press Start to receive a fax. If you are a caller or there is a document in the ADF, the document will be sent by pressing Start .	
			Advanced Mode	Press Start and then press 1 to send a fax or press 2 to receive a fax.	
	3.Caller ID Type	You can switch the mode if Caller ID cannot be displayed normally.	Auto* FSK DTMF	Caller ID has two modes FSK and DTMF for displaying your calls. The default mode of this machine is Auto . Please ask your local telephone company for whether your mode is FSK or DTMF.	
	4.Caller ID	Allows the subscriber to see the caller's phone number on the display.	Display#	The Caller ID of the last call will appear on the display.	40
			Print Report	Prints the last thirty calls in the Caller ID list.	
	The factory settings are shown in Bold with an asterisk.				

3.Copy

3.Copy

Level 2	Level 3	Descriptions 1	Options	Descriptions 2	Page
1.Quality	—	You can choose the Copy resolution for your type of document.	Auto*	Auto is the recommended mode for ordinary printouts. Suitable for documents that contain both text and photographs.	
			Text	Suitable for documents containing mainly text.	
			Photo	Better copy quality for photographs.	
			Receipt	Suitable for copying receipts.	
2.Brightness	—	Adjusts the copy brightness for copies.	-□□□■+ -□□■□+ -□■□□+* -□■□□+ -■□□□+	Press ► to increase the brightness or press ◀ to decrease the brightness.	
3.Contrast		Adjust the contrast to help an image look sharper and more vivid.	-□□□■+ -□□■□+ -□■□□+* -□■□□+ -■□□□+	Press ► to increase the contrast or press ◀ to decrease the contrast.	
4.ID Copy	1.Quality	You can change the default settings for ID Copy.	Auto*	Auto is the standard mode for ordinary printouts. If you want to make it clearer, choose Lighter.	
			Lighter		
	2.Brightness		-□□□■+ -□□■□+* -□■□□+ -□■□□+ -■□□□+	Press ► to increase the brightness or press ◀ to decrease the brightness.	
	3.Contrast	-□□□■+ -□□■□+ -□■□□+* -□■□□+ -■□□□+	Press ► to increase the contrast or press ◀ to decrease the contrast.		

The factory settings are shown in Bold with an asterisk.

3.Copy (continued)

Level 2	Level 3	Descriptions 1	Options	Descriptions 2	Page
4.ID Copy (Continued)	4.2in1/1in1		2in1*	Allows you to use the 2 in 1 (ID) Copy key as a double- sided copy.	46
			1in1	Allows you to use the 2 in 1 (ID) Copy key as a one-sided copy.	47
The factory settings are shown in Bold with an asterisk.					

4.Printer

4.Printer

Level 2	Level 3	Descriptions 1	Options	Descriptions 2	Page
1.Print Options	1.Test Print	Prints a test page.	—		
2.Auto Continue	—	If this setting is enabled, the machine will automatically clear a paper size error, and will use the paper loaded in the paper tray.	On*		
			Off	Size mismatch is displayed on the LCD and printing does not occur.	
3.Reset Printer		Restores the printer settings to the original factory default settings.	1.Reset		
			2.Exit		
The factory settings are shown in Bold with an asterisk.					

5. Print Reports

5. Print Reports

Level 2	Level 3	Descriptions 1	Options	Descriptions 2	Page
1.XMIT Verify	1.View on LCD	You can use the Transmission Verification Report as proof that you sent a fax. This report lists the receiving party's name or fax number, the time and date of transmission, duration of transmission, number of pages sent, and whether or not the transmission was successful.	—	You can view the Transmission Verification Report for your last 200 outgoing faxes.	
	2. Print Report		—	Print the last report.	
2.Address Book	1.Numeric	Lists names and numbers stored in the Speed Dial memory.	—	Print in numerical order.	
	2.Alphabetic		—	Print in alphabetical order.	
3.Fax Journal		Prints a list of information about your last 200 incoming and outgoing faxes. (TX: transmit.) (RX: receive.)	—		
4.User Settings		Lists your settings.	—		
The factory settings are shown in Bold with an asterisk.					

6. Machine Info

6. Machine Info.

Level 2	Level 3	Descriptions 1	Options	Descriptions 2	Page
1.Serial No.		You can check the serial number of your machine.			
2.Version	1.Main Version	You can check the firmware version of your machine.			
The factory settings are shown in Bold with an asterisk.					

6. Machine Info. (continued)

Level 2	Level 3	Descriptions 1	Options	Descriptions 2	Page
3. Page Counter		You can check the number of pages the machine has printed during its life.	Total	Displays the total page count.	
			Fax/List	Displays the page counter for faxes and lists.	
			Copy	Displays the page counter for copies.	
			Print	Displays the page counter for printed pages.	
4. Parts Life	1. Toner	You can check the percentage of Toner life that remains.			
	2. Drum	You can check the percentage of Drum life that remains.			
5. Reset Drum	—	You can reset the drum counter when you replace the drum unit with a new one.	1. Reset		55
			2. Exit		
The factory settings are shown in Bold with an asterisk.					

Menu and features for DCP models

On-screen programming

Your machine has been designed to be easy to use. The LCD provides on-screen programming using the menu keys.

How to access the menu mode

- 1 Press **Menu**.
- 2 Scroll through each menu level by pressing **▲** or **▼** for the direction you want.
- 3 Press **OK** when the option you want appears on the LCD.
The LCD will then show the next menu level.
- 4 Press **▲** or **▼** to scroll to your next menu selection.
- 5 Press **OK**.
When you have finished setting an option, the LCD will show *Accepted*.
- 6 Press **Stop/Exit** to exit Menu mode.

Menu table

Using the menu table, you can change the settings in your machine by pressing ▲ and ▼ and **OK**. Press **Menu**, and then according to what is shown on the LCD, press ▲ and ▼ to highlight different menu options. Press **OK** to select an option.

In the below example, the paper type setting is changed from Plain to Recycled Paper.

1.General Setup			
Level 2	Level 3	Descriptions 1	Options
1.Paper	1.Paper Type		Plain* Recycled Paper

- 1 Press **Menu**.
- 2 Press ▲ or ▼ to choose 1.General Setup. Press **OK**.
- 3 Press ▲ or ▼ to choose 1.Paper. Press **OK**.
- 4 Press ▲ or ▼ to choose 1.Paper Type. Press **OK**.
- 5 Press ▲ or ▼ to choose Recycled Paper. Press **OK**.
- 6 Press **Stop/Exit**.


1.General Setup

1.General Setup

Level 2	Level 3	Descriptions 1	Options	Descriptions 2	Page
1.Paper	1.Paper Type		Plain* Recycled Paper		32
	2.Paper Size	Sets the size of the paper in the paper tray.	A4* Letter Legal Folio		32

The factory settings are shown in Bold with an asterisk.

1.General Setup (continued)

Level 2	Level 3	Descriptions 1	Options	Descriptions 2	Page
2.Ecology	1.Toner Save	You can save toner using this feature.	On	Increases the page yield of the toner cartridge. When you set Toner Save to On, print appears lighter.	30
	2.Auto Power Off	If the machine is in Deep Sleep mode for several hours, it will go into Power Off mode automatically. To disable the Power Off mode, press and hold  .	Off* 1 hour 2 hours 4 hours 8 hours		
3.LCD Contrast	—	Adjusts the contrast of the LCD.	-□□□■+ -□□□■+ -□□■□+* -□■□□+ -■□□□+	Press ▲ to make the LCD darker, or press ▼ to make the LCD lighter.	
4.Replace Toner	—	Sets the machine to continue or stop printing after the LCD shows Replace Toner.	Continue	The machine will continue printing. Replace the toner cartridge with a new one after the LCD shows Toner Ended.	30
			Stop*	The machine will stop printing. Replace the toner cartridge with a new one.	
5.Reset	1.All Settings	Restores all the machine settings to factory default.	▲ Reset		
			▼ Exit	Cancel restore and exit the menu.	
0.Local Language	—	Allows you to change the LCD language.	中文 *	Changes the LCD language to Chinese.	
			English	Changes the LCD language to English.	
The factory settings are shown in Bold with an asterisk.					

2.Copy

2.Copy

Level 2	Level 3	Descriptions 1	Options	Descriptions 2	Page
1.Quality	—	You can choose the Copy resolution for your type of document.	Auto*	Auto is the recommended mode for ordinary printouts. Suitable for documents that contain both text and photographs.	
			Text	Suitable for documents containing mainly text.	
			Photo	Better copy quality for photographs.	
			Receipt	Suitable for copying receipts.	
2.Brightness	—	Adjusts the copy brightness for copies.	-□□□■+ -□□□■+ -□■□□+* -□■□□+ -■□□□+	Press ▲ to increase the brightness or press ▼ to decrease the brightness.	
3.Contrast		Adjust the contrast to help an image look sharper and more vivid.	-□□□■+ -□□□■+ -□■□□+* -□■□□+ -■□□□+	Press ▲ to increase the contrast or press ▼ to decrease the contrast.	
4.ID Copy	1.Quality	You can change the default settings for ID Copy.	Auto*	Auto is the standard mode for ordinary printouts. If you want to make it clearer, choose Lighter .	
			Lighter		
	2.Brightness		-□□□■+ -□□□■+* -□■□□+ -□■□□+ -■□□□+	Press ▲ to increase the brightness or press ▼ to decrease the brightness.	
	3.Contrast	-□□□■+ -□□□■+ -□■□□+* -□■□□+ -■□□□+	Press ▲ to increase the contrast or press ▼ to decrease the contrast.		
The factory settings are shown in Bold with an asterisk.					

2.Copy (continued)

Level 2	Level 3	Descriptions 1	Options	Descriptions 2	Page
4.ID Copy (Continued)	4.2in1/1in1		2in1*	Allows you to use the 2 in 1 (ID) Copy key as a double- sided copy.	46
			1in1	Allows you to use the 2 in 1 (ID) Copy key as a one-sided copy.	47
The factory settings are shown in Bold with an asterisk.					

3.Printer

3.Printer

Level 2	Level 3	Descriptions 1	Options	Descriptions 2	Page
1.Print Options	1.Test Print	Prints a test page.	—		
2.Auto Continue	—	If this setting is enabled, the machine will automatically clear a paper size error, and will use the paper loaded in the paper tray.	On*		
			Off	Size mismatch is displayed on the LCD and printing does not occur.	
3.Reset Printer		Restores the printer settings to the original factory default settings.	▲ Reset		
			▼ Exit		
The factory settings are shown in Bold with an asterisk.					

4.Machine Info

4.Machine Info.

Level 2	Level 3	Descriptions 1	Options	Descriptions 2	Page
1.Serial No.		You can check the serial number of your machine.			
2.Version	1.Main Version	You can check the firmware version of your machine.			
The factory settings are shown in Bold with an asterisk.					

4. Machine Info. (continued)

Level 2	Level 3	Descriptions 1	Options	Descriptions 2	Page
3. Page Counter		You can check the number of pages the machine has printed during its life.	Total	Displays the total page count.	
			List	Displays the page counter for lists.	
			Copy	Displays the page counter for copies.	
			Print	Displays the page counter for printed pages.	
4. User Settings		Lists your settings.			
5. Parts Life	1. Toner	You can check the percentage of Toner life that remains.			
	2. Drum	You can check the percentage of Drum life that remains.			
6. Reset Drum	—	You can reset the drum counter when you replace the drum unit with a new one.	▲ Reset		55
			▼ Exit		
The factory settings are shown in Bold with an asterisk.					

Entering text (MFC-1813 and MFC-1818)

When setting certain menu selections, such as the Station ID and the name of a Speed Dial, you will need to type text characters. The dial pad keys have letters printed on them. The keys: **0**, **#** and ***** do *not* have printed letters because they are used for special characters.

Press the appropriate dial pad key the number of times shown in this reference table to access the character you want.

Press number Key on dial pad	once	twice	three times	four times	five times	six times	seven times	eight times	nine times
2	a	b	c	A	B	C	2	a	b
3	d	e	f	D	E	F	3	d	e
4	g	h	i	G	H	I	4	g	h
5	j	k	l	J	K	L	5	j	k
6	m	n	o	M	N	O	6	m	n
7	p	q	r	s	P	Q	R	S	7
8	t	u	v	T	U	V	8	t	u
9	w	x	y	z	W	X	Y	Z	9

Inserting spaces

To enter a space in a fax number, press ► once between numbers. To enter a space in a name, press ► twice between letters.

Making corrections

If you entered a character incorrectly and want to change it, press ◀ or ▶ to move the cursor to the incorrect character, and then press **Clear**.

Inputting repeated letters

To enter a letter on the same key as the previous letter, press ► to move the cursor right before pressing the key again.

Inputting Special characters and symbols

Press *****, **#** or **0** repeatedly until the LCD shows the symbol or character you want. The symbols and characters below will appear depending on your menu selection.

Press ***** for (space) ! " # \$ % & ' () * + , - . / €
 Press **#** for ; < = > ? @ [] ^ _
 Press **0** for Ä Ë Ö Ü À Ç È É 0


Ecology features

Deep Sleep mode

If the machine does not receive any jobs for a certain length of time, the machine will go into Deep Sleep mode automatically and the LCD will show *Deep Sleep*. The machine will wake up when it receives a fax (MFC-1813 and MFC-1818 only) or a print job.

(For MFC-1818 only) Lifting the handset will also wake up the machine from Deep Sleep mode.

Auto Power Off (DCP-1518 only)

If the machine is in Deep Sleep mode for several hours, it will then go into Power Off mode automatically. Power Off mode is the lowest power consumption mode, which achieves a power consumption of approximately 0.28 W. To disable the Power Off mode, press and hold .

- 1 Press **Menu** and then press **▲** or **▼** to choose *1.General Setup*. Press **OK**.
- 2 Press **▲** or **▼** to choose *2.Ecology*. Press **OK**.
- 3 Press **▲** or **▼** to choose *2.Auto Power Off*. Press **OK**.
- 4 Press **▲** or **▼** to choose how many hours before the machine goes into Power Off mode. Choose *1 hour, 2 hours, 4 hours, 8 hours* or *Off*. Press **OK**.
- 5 Press **Stop/Exit**.

Toner Settings

Toner Setting (Continue mode)

You can set the machine to continue printing after the LCD shows *Replace Toner*. The machine will continue printing until the LCD shows *Toner Ended*.

- 1 (For MFC-1813 and MFC-1818)
Press **Menu**, **1, 7** and go to step 3.
- (For DCP-1518)
Press **Menu** and then press **▲** or **▼** to choose *1.General Setup*. Press **OK**.
- 2 Press **▲** or **▼** to choose *4.Replace Toner*. Press **OK**.
- 3 Press **▲** or **▼** to choose *Continue* or *Stop*. Press **OK**.
- 4 Press **Stop/Exit**.

NOTE

- If you continue printing in the Continue mode, the print may appear lighter.
- After replacing the toner cartridge with a new one, the Continue mode will go back to the default setting (*Stop*).

Receiving faxes in Continue Mode (MFC-1813 and MFC-1818 only)

The machine can store received faxes in the memory if you choose Continue mode when the LCD shows `Replace Toner`. When received faxes are printed in Continue mode the LCD will ask if the print quality of the fax is OK. If the quality is not good, choose `2.No`. The machine will keep the faxes stored in the memory so you can reprint them after you replace the toner cartridge with a new one. If the print quality is good, choose `1.Yes`. The LCD will ask if you want to delete the printed faxes from the memory. If you choose not to delete them, you will be asked again after you replace the toner cartridge with a new one.

NOTE

If you turn off the machine, faxes stored in the memory will be lost.

2

Paper Setting

Paper settings

Paper Type

- 1 (For MFC-1813 and MFC-1818)
Press **Menu**, **1**, **2**, **1** and go to step 4.

(For DCP-1518)
Press **Menu** and then press **▲** or **▼** to choose **1.General Setup**.
Press **OK**.
- 2 Press **▲** or **▼** to choose **1.Paper**.
Press **OK**.
- 3 Press **▲** or **▼** to choose **1.Paper Type**.
Press **OK**.
- 4 Press **▲** or **▼** to choose **Plain** or **Recycled Paper**.
Press **OK**.
- 5 Press **Stop/Exit**.

Paper Size

- 1 (For MFC-1813 and MFC-1818)
Press **Menu**, **1**, **2**, **2** and go to step 4.

(For DCP-1518)
Press **Menu** and then press **▲** or **▼** to choose **1.General Setup**.
Press **OK**.
- 2 Press **▲** or **▼** to choose **1.Paper**.
Press **OK**.
- 3 Press **▲** or **▼** to choose **2.Paper Size**.
Press **OK**.
- 4 Press **▲** or **▼** to choose **A4, Letter, Legal, Folio**.
Press **OK**.
- 5 Press **Stop/Exit**.

Acceptable paper

Print quality may vary according to the type of paper you are using.

Recommended paper and print media

To get the best print quality, we suggest using the following paper.

Paper Type	Item
Plain paper	APP Blue Flagship 70 g/m ²
	APP Gold Flagship 80 g/m ²
	Advanced Agro Double A 80 g/m ²

Paper capacity of the paper tray

Paper size	A4, Letter, Legal, Folio
Paper types	Plain paper, Recycled paper
No. of sheets	up to 150 (80 g/m ²)
Paper weight	65 - 105 g/m ²

Some important guidelines when selecting paper are:

- DO NOT use inkjet paper because it may cause a paper jam or damage your machine.
- Preprinted paper must use ink that can withstand the temperature of the machine's fusing process 200 °C.

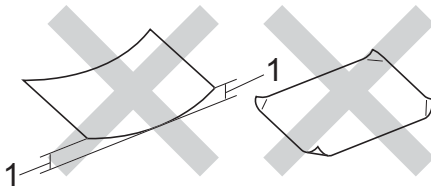
Types of paper to avoid

IMPORTANT

Some types of paper may not perform well or may cause damage to your machine.

DO NOT use paper:

- that is highly textured
- that is extremely smooth or shiny
- that is curled or warped



1 A curl of 2 mm or greater may cause jams to occur.

- that is coated or has a chemical finish
- that is damaged, creased or folded
- that exceeds the recommended weight specification in this guide
- with tabs and staples
- with letterheads using low temperature dyes or thermography
- that is multipart or carbonless
- that is designed for inkjet printing

If you use any of the types of paper listed above, they may damage your machine. This damage is not covered under any Brother warranty or service agreement.

3

Loading documents

How to load documents

You can send a fax (MFC-1813 and MFC-1818 only), make copies, and scan from the ADF (Automatic Document Feeder) and the scanner glass.

Using the automatic document feeder (ADF) (MFC-1813 and MFC-1818)

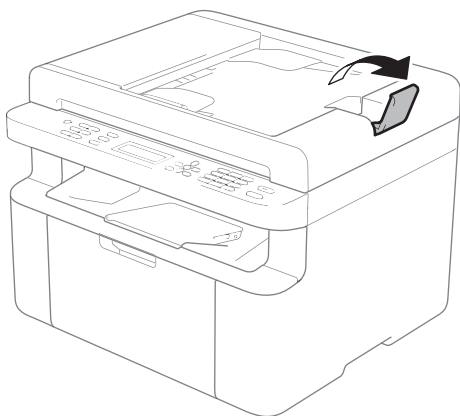
The ADF can hold up to 10 pages and feeds each sheet individually. We recommend you use standard 80 g/m² paper and always fan the pages before putting them in the ADF.

Document Sizes Supported

Size:	A4, Letter, Legal, Folio
-------	--------------------------

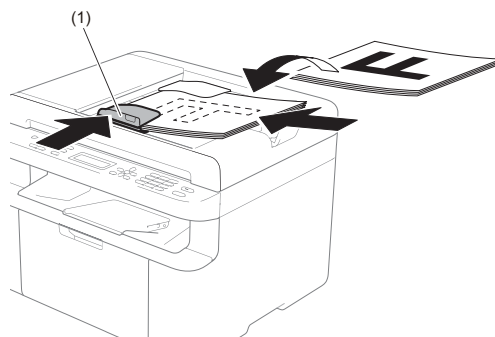
How to load documents

- 1 Lift up and unfold the ADF document output support flap.



- 2 Load your document *face down, top edge first* in the ADF until the LCD message changes.

- 3 Adjust the paper guides (1) to fit the width of your document.



Using the scanner glass

You can use the scanner glass to fax (MFC-1813 and MFC-1818 only), copy or scan pages of a book, one page at a time.

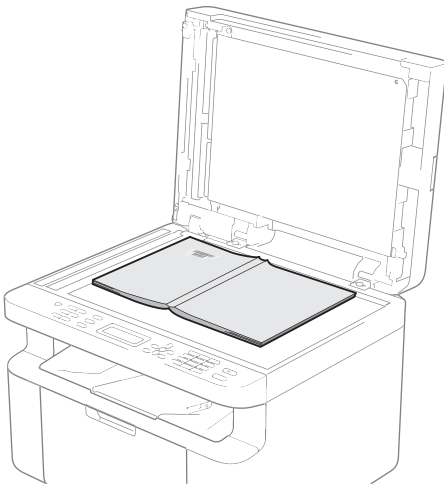
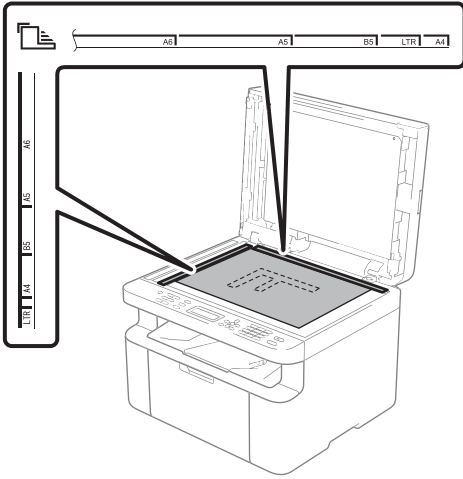
Document Sizes Supported

Length:	Up to 300.0 mm
Width:	Up to 215.9 mm
Weight:	Up to 2.0 kg

How to load documents

- 1 Lift the document cover.

- Using the document guidelines on the left and top, place the document *face down* in the upper left corner of the scanner glass.



- Close the document cover.

IMPORTANT

If the document is a book or is thick do not slam the cover or press on it.

4

Sending a fax (MFC-1813 and MFC-1818)

How to send a fax

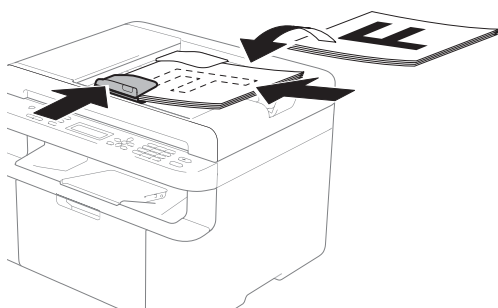
The following steps show you how to send a fax.

- 1 Press **FAX**.

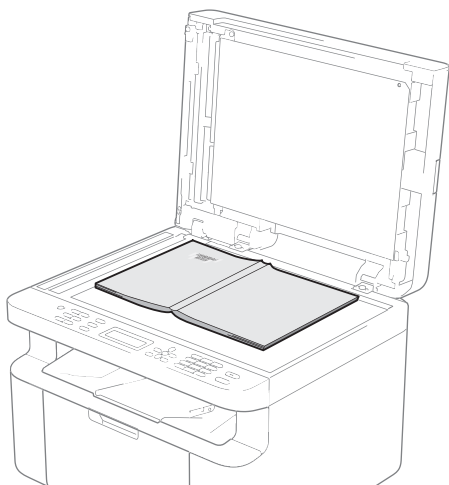


- 2 Load your document.

- If you are sending from the ADF:



- If you are sending from the scanner glass:



After placing the document on the scanner glass, close the document cover.

NOTE

- To use the scanner glass, the ADF must be empty.
- If you want to change the fax resolution, press **▼**, and then press **▲** or **▼** to choose the fax resolution.

- 3 Enter the fax number.

- 4 Press **Start** to send a fax.



Cancelling a fax in progress

Press **Stop/Exit** to cancel the fax. If you press **Stop/Exit** while the machine is dialling or sending, the LCD will ask you to confirm.

```
Dialing #XXX  
1.Clear 2.Exit
```

```
Sending #XXX P01  
1.Clear 2.Exit
```

Press **1** to cancel the fax.

Broadcasting

Broadcasting lets you send the same fax message to more than one fax number. You can include Speed Dial numbers and up to 20 manually dialled numbers in the same broadcast.

Before you begin the broadcast

Speed Dial numbers must be stored in the machine's memory before they can be used in a broadcast. (See *Storing Speed Dial numbers* on page 39)

How to broadcast a fax

- 1 Load your document.
- 2 Enter a number.
Press **OK**.
You can use a Speed Dial number, or a number manually entered using the dial pad. (See *How to dial* on page 40)
- 3 Repeat step 2 until you have entered all the fax numbers you want to broadcast to.
- 4 Press **Start**.

After the broadcast is finished the machine will print a broadcast report to let you know the results.

Cancelling a Broadcast in progress

While broadcasting you can cancel the fax currently being sent or the whole broadcast job.

- 1 Press **Menu, 2, 7**.
The LCD will display the Broadcast job number followed by the fax number or name being dialled (for example, #001 0123456789). Press **▲** or **▼** to show the broadcast job number (for example, Broadcast#001).

- 2 Press **▲** or **▼** to choose one of the following:
 - Choose the fax number or name being dialled, and press **OK**.
 - Choose the broadcast job number, and press **OK**.
- 3 Press **1** to cancel the fax number or Broadcast job number you chose in step 2, or press **2** to exit without cancelling.
If you chose to only cancel the fax currently being sent in step 2, the LCD will ask you if you want to cancel the broadcast job. Press **1** to clear the whole broadcast job or **2** to exit.
- 4 Press **Stop/Exit**.

5

Receiving a fax (MFC-1813 and MFC-1818)

Fax Receive modes

You can switch to **Fax Auto** or **Manual** mode by pressing **Fax Auto/Manual** on the control panel.

Mode	Function	Help
Fax Auto	Each call will automatically be recognized as a fax. However, you can answer the call within the specified number of rings.	<p>Factory setting of Ring Delay³ is 2 for MFC-1813 and 4 for MFC-1818 (0-10 times available). After ringing 2 or 4 times, the fax machine sends fax-receiving signals automatically.</p> <p>(MFC-1813 only)</p> <p>Tip: If your machine is connecting an external answering phone device, and often use it to answer incoming calls, you could set the ring time through 4 to 6 times.</p> <p>Within the recommended ringing times, you can use the external answering phone device to answer and talk.¹</p>
Fax/Tel	<p>The machine will automatically determine whether the incoming call is a fax or telephone call.</p> <p>The machine will perform a fast double ring to let you know you have a telephone call waiting.</p>	<p>Factory setting of Ring Delay³ is 2 for MFC-1813 and 4 for MFC-1818 (0-10 times available). The Fax/Tel ring time (F/T ring time) (a fast double-ring) setting is set at 20 seconds.</p> <p>According to incoming call after the fax machine rings 2 or 4 times:</p> <ol style="list-style-type: none"> 1) For the fax call, send fax received signal. 2) For the telephone call, make a fast double-ring, waiting for you answer the phone.² <p>(MFC-1813 only)</p> <p>Tip: If your machine is connecting an external answering phone device, you could set the ringing time from 4 to 6 rings to answer the call.¹</p>
External TAD (MFC-1813 only)	The external answering machine (TAD) automatically answers every call. Voice messages are stored on the external TAD. Fax messages are printed.	<p>Use this mode if you have connected an external answering machine to your machine. The TAD setting works only with an external answering machine.</p> <p>Note: Ring Delay and F/T Ring Time do not work in this setting.</p>
Manual	Machine doesn't recognize each call, only as a common phone call that you need to determine after answering the phone.	<p>Answer the call, or if the caller wants to send you a fax, press Start (under Easy mode) to receive a fax.</p> <p>(MFC-1813 only)</p> <p>Tip: If your machine is connecting an external answering phone device, you can use the external answering phone device to answer and talk.¹</p>

¹ If the caller wants to send a fax during a call or the caller sends you a fax call, press **Start** (under Easy mode) on the control panel of the machine.

² Because the F/T ring is made by the machine, external telephones will not ring.

³ Ring Delay means setting the number of times the machine rings before it answers in **Fax Auto** and **Fax/Tel** modes.

Dialling and storing numbers (MFC-1813 and MFC-1818)

Storing numbers

You can set up your machine for easy dialling by storing Speed Dials. When you dial a speed dial number, the LCD shows the name, if you stored it, or the number.

Storing Speed Dial numbers

You can store your frequently used numbers as Speed Dial numbers, so that when you dial you will only have to press a few keys (▲ (Address Book) twice, the two digit number and **Start**). The machine can store 99 Speed Dial numbers (01- 99).

- 1 Press ▲ (Address Book) twice and enter a two digit Speed Dial location number (01-99).
If a number is not stored there, the LCD shows *Register Now?*
Press **1** to choose *Yes*.
- 2 Enter the telephone or fax number (up to 20 characters).
Press **OK**.
- 3 Do one of the following:
 - Enter the name using the dial pad (up to 15 characters). For help entering characters, see *Entering text (MFC-1813 and MFC-1818)* on page 29.
Press **OK**.
 - Press **OK** to store the number without a name.
- 4 If you want to change the pinyin, you can change it using the dial pad.
Press **OK**.
- 5 To store another Speed Dial number, go to step 1.

Changing or Deleting Speed Dial numbers

You can change or delete a Speed Dial number that has already been stored.

- 1 Press **Menu, 2, 4, 1**.
Enter the Speed Dial number you want to change or delete, then press **OK**.
- 2 Do one of the following:
 - Press **1** to choose *Change* to edit the number, name or pinyin.
Go to step 3.
 - Press **2** to choose *Clear* to delete all information in a Speed Dial number.

When *Erase This Data?* appears, press **1** to choose *Yes* to confirm.
Go to step 4.
- 3 Edit the number, name or pinyin. When you are finished editing, press **OK**.
- 4 Press **Stop/Exit**.


How to dial

You can dial in any of the following ways.

Manual dialling

Use the dial pad to enter all the digits of the telephone or fax number.

Speed dialling

Press  (**Address Book**) twice and enter the two digit Speed Dial number. (See *Storing Speed Dial numbers* on page 39.)




Two digit number

NOTE

If the LCD shows *Register Now?* when you enter a Speed Dial number, it means that a number is not stored there.

Search

You can search alphabetically for names you have stored in the Speed Dial memories. (See *Storing Speed Dial numbers* on page 39.)

- 1 Make sure you are in FAX mode.
- 2 Press  (**Address Book**).

- 3 Press the dial pad key for the first few letters of the name. (Use the chart on *Entering text (MFC-1813 and MFC-1818)* on page 29 to help you enter letters.)
Press **OK**.
- 4 Press **▲** or **▼** to scroll until you find the name you are looking for.
Press **OK**.
- 5 Press **Start**.

NOTE

- If you do not enter a letter and press **OK** in step 3, all registered names will appear. Press **▲** or **▼** to scroll until you find the name you are looking for.
- If the LCD shows *No Contact Found* when you enter the first few letters of the name, it means that a name for the letters is not stored.

Redial

Ensuring the line is not in use, press **Redial** to find the last 20 numbers you recently dialled. Press **Redial** or **▲** or **▼** to scroll until you find the number you want to call again. Press **OK** and then press **Start** to send a fax.

Caller ID feature

The Caller ID feature lets you use the Caller ID subscriber service offered by many local telephone companies. This service shows the telephone number, or name if it is available, of your caller as the line rings.

Viewing the Caller ID List

Your machine stores information for the last thirty calls in the Caller ID list. You can view or print this list. When the 31st call comes in to the machine, it replaces information about the first call.

- 1 Press **Menu, 2, 0, 4**.
The screen displays the current setting.
- 2 Press **▲** or **▼** to choose `Display#`.
Press **OK**.
The Caller ID of the last call will appear on the display.
If no ID is stored, the beeper will sound and `No Caller ID` will appear on the display. Go to step 4.
- 3 Press **▲** or **▼** to scroll through the Caller ID memory to choose the Caller ID you want to view, and then press **OK**.
The LCD will show the caller's number and the date and time of the call.
- 4 To finish viewing, press **Stop/Exit**.

7

Using PC-FAX (MFC-1813 and MFC-1818)

PC-FAX Receive (For Windows® only)

If you turn on the PC-Fax Receive feature your machine will store received faxes in memory and send them to your PC automatically. You can then use your PC to view and store these faxes.

Even if you have turned off your PC (at night or on the weekend, for example), your machine will receive and store your faxes in its memory. The LCD will show the number of stored faxes received, for example:

PC Fax Msg:001

When you start your PC and the PC-Fax Receiving software runs, your machine transfers your faxes to your PC automatically.

To transfer the received faxes to your PC you must have the PC-FAX Receiving software running on your PC.

Do one of the following:

(Windows® XP, Windows® Vista and Windows® 7)

From the  (Start) menu, select

All Programs, Brother, MFC-XXXX, PC-FAX Receiving, and select **Receive**. (XXXX is your model name.)

(Windows® 8)

Click  (**Brother Utilities**), and then

click the drop-down list and select your model name (if not already selected). Click **PC-FAX Receive** in the left navigation bar, and then click **Receive**.

Then, complete the following steps on your machine.

1 Press **Menu, 2, 6, 1**.

2 Press **▲** or **▼** to choose **On** (or **Off**). Press **OK**.

3 The LCD shows a reminder to start the PC-FAX Receive program on your computer. If you have started the PC-FAX Receive program, press **OK**. If you have not started the PC-FAX Receive program, see Software User's Guide: *PC-FAX receiving*.

4 Press **▲** or **▼** to choose **On** or **Off**. Press **OK**.

5 Press **Stop/Exit**.

IMPORTANT

- If you choose **Backup Print On**, the machine will also print the fax at your machine so you will have a copy. This is a safety feature in case there is a power failure before the fax is transferred to your PC.
- The faxes stored in the machine's memory will be deleted.

NOTE

- Before you can set up PC-Fax Receive you must install the MFL-Pro Suite software on your PC. Make sure your PC is connected and turned on. (See Software User's Guide: *PC-FAX receiving*)
- If your machine has an error and is unable to print faxes from memory, you can use this setting to transfer your faxes to a PC. (See *Transferring your faxes or Fax Journal report (MFC-1813 and MFC-1818)* on page 69.)
- PC-Fax Receive is not supported in Mac OS.

PC-FAX sending

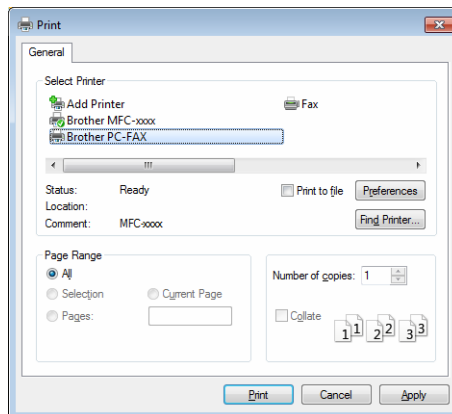
You can send a file created in any application on your PC as a standard fax.

NOTE

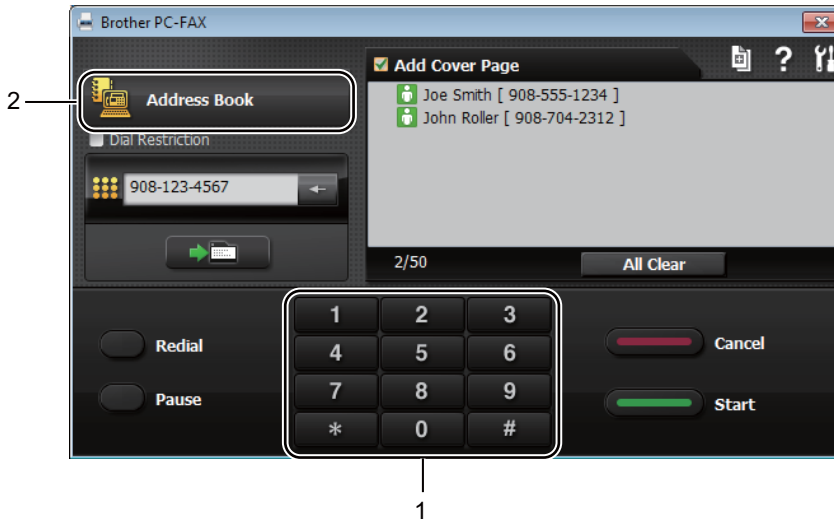
- The PC-FAX software can only send Black & White fax documents in A4 size.
- Please install MFL-Pro Suite software, connect your machine and PC before using PC-FAX sending.

Sending a file as a PC-FAX


- 1 Create a file in any application on your PC.
- 2 Click **File**, then **Print**.
The **Print** dialog box appears:



- 3 Choose **Brother PC-FAX** as your printer, and then click **Print**. The PC-FAX sending dialog box appears:



- 1 Dial Pad
2 Address Book

- 4 Enter a fax number using any of the following methods:
- Use the dial pad to enter the number and then click the  button.
 - Click the **Address Book** button, and then choose a member or group from the Address Book.

If you make a mistake, click **All Clear** to delete all the entries.

- 5 To include a cover page, click **Add Cover Page**.

NOTE

You can also click the cover page  icon to create or edit a cover page.

- 6 Click **Start** to send the fax.

NOTE

- If you want to cancel the fax, click **Cancel** or press **Stop/Exit** on the machine's control panel.
- If you want to redial a number, click **Redial** to cycle through the last five fax numbers, and then click **Start**.

8

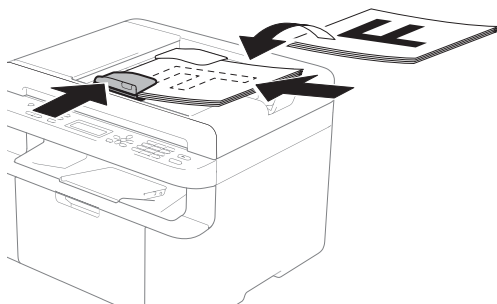
Making copies

How to copy

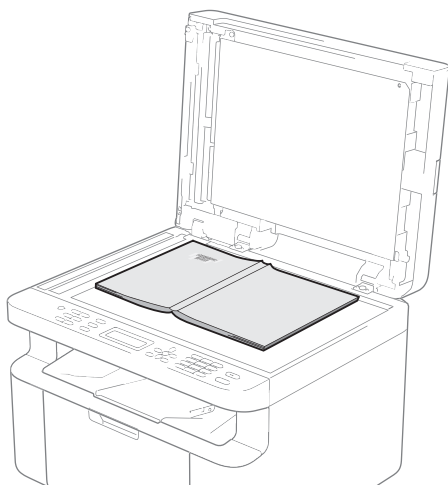
- 1 (For MFC-1813 and MFC-1818)
Press **COPY**.



- 2 Load your document.
 - (For MFC-1813 and MFC-1818)
If you are copying from the ADF:



- If you are copying from the scanner glass:



After placing the document on the scanner glass, close the document cover.

NOTE

To use the scanner glass, the ADF must be empty.

- 3 (For MFC-1813 and MFC-1818)
Use the dial pad to enter the number of copies you want (up to 99 copies).

(For DCP-1518)
Press ▲ or ▼ to enter the number of copies you want.

- 4 Press **Start** to copy.

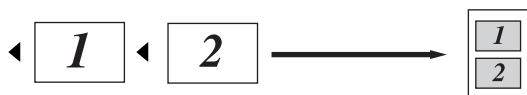


ID COPY

You can copy your identification card for both one-sided and double-sided.

Double-sided ID copy can copy both sides of your identification card onto one page, keeping the original card size.

The result of the double-sided ID copy is shown below.



NOTE

- You can copy an identification card to the extent permitted under applicable laws. (See Product Safety Guide: *Unlawful use of copying equipment (MFC and DCP only)*)
- For the ID Copy Settings,
(For MFC-1813 and MFC-1818)
See 3.Copy on page 19.
(For DCP-1518) See 2.Copy on page 26.

Double-sided ID copy

- (For MFC-1813 and MFC-1818)
Press **Menu**, **3**, **4** and go to step ③.

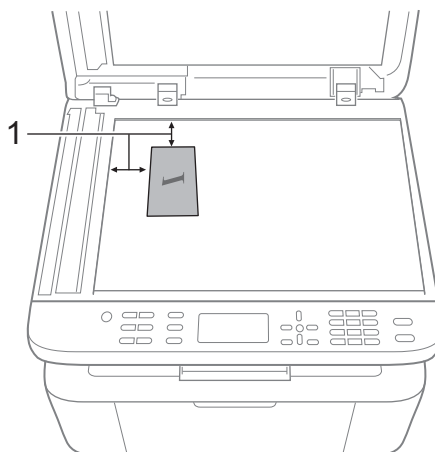
(For DCP-1518)
Press **Menu** and then press **▲** or **▼** to choose 2.Copy.
Press **OK**.
- Press **▲** or **▼** to choose 4.ID Copy.
Press **OK**.
- Press **▲** or **▼** to choose 4.2in1/1in1.
Press **OK**.
Press **▲** or **▼** to choose 2in1 for double-sided copy as a default.
Press **OK** and then press **Stop/Exit**.

- (For MFC-1813 and MFC-1818)
Press **COPY**.



- (For DCP-1518)
Press **▲** or **▼** to enter the number of copies you want.

- Press **2 in 1 (ID) Copy**.
- Place your identification card *face down* at the Left (neither right side nor center) corner of the scanner glass.

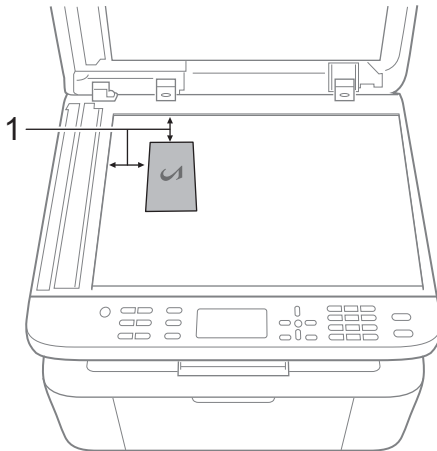


1 4 mm or greater (top, left)

- (For MFC-1813 and MFC-1818)
Enter the number of copies you want.
- Press **Start** to scan.



- 9 Turn over your identification card and place it at the left side of the scanner glass.



1 4 mm or greater (top, left)

- 10 Press **Start** to scan.



- 4 (For MFC-1813 and MFC-1818)
Press **COPY**.



- 5 (For MFC-1813 and MFC-1818)
Enter the number of copies you want.

(For DCP-1518)
Press ▲ or ▼ to enter the number of copies you want.

- 6 Place your identification card *face down* on the scanner glass.

- 7 Press **2 in 1 (ID) Copy**.

One-sided ID copy

- 1 (For MFC-1813 and MFC-1818)
Press **Menu**, **3**, **4** and go to step 3.



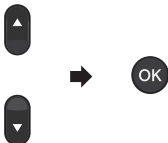
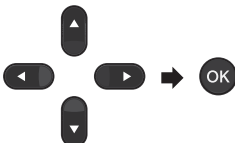
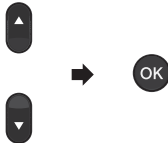
(For DCP-1518)
Press **Menu** and then press ▲ or ▼ to choose 2 . Copy.
Press **OK**.



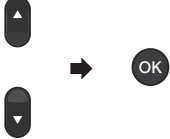
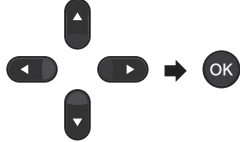
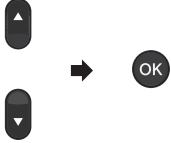
- 2 Press ▲ or ▼ to choose 4 . ID Copy.
Press **OK**.

- 3 Press ▲ or ▼ to choose 4 . 2in1/1in1.
Press **OK**.
Press ▲ or ▼ to choose 1in1 for one-sided copy as a default.
Press **OK** and then press **Stop/Exit**.

Other copies

Make sure you are in COPY mode. Use the **Copy Options** key to quickly set the following copy settings only for the next copy.

<p>Press (MFC-1813 and MFC-1818 only)</p>  <p>复印选项 Copy Options</p> <p>(DCP-1518 only)</p>  <p>复印选项 Copy Options</p>	<p>Menu selections</p> <p>Press ▲ or ▼, then press OK</p> 	<p>Options</p> <p>(MFC-1813 and MFC-1818 only)</p> <p>Press ▲, ▼, ◀ or ▶, then press OK</p>  <p>(DCP-1518 only)</p> <p>Press ▲ or ▼, then press OK.</p> 
	Quality	<p>Auto*</p> <p>Text</p> <p>Photo</p> <p>Receipt</p>
	Stack/Sort	<p>Stack*</p> <p>Sort</p>
	Brightness	<p>-■□□□+</p> <p>-□■□□+</p> <p>-□□■□+*</p> <p>-□□□■+</p> <p>-□□□■+</p>
	Contrast	<p>-■□□□+</p> <p>-□■□□+</p> <p>-□□■□+*</p> <p>-□□□■+</p> <p>-□□□■+</p>
<p>The factory settings are shown in Bold with an asterisk.</p>		

Press	Menu selections	Options
<p>(MFC-1813 and MFC-1818 only)</p>  <p>复印选项 Copy Options</p> <p>(DCP-1518 only)</p>  <p>复印选项 Copy Options</p>	<p>Press ▲ or ▼, then press OK</p> 	<p>(MFC-1813 and MFC-1818 only)</p> <p>Press ▲, ▼, ◀ or ▶, then press OK</p>  <p>(DCP-1518 only)</p> <p>Press ▲ or ▼, then press OK.</p> 
	<p>Enlarge/Reduce</p>	<p>100%*</p> <p>200%</p> <p>Auto¹</p> <p>Custom (25-400%)</p> <p>50%</p> <p>78% LGL-LTR²</p> <p>83% LGL-A4²</p> <p>91% Full Page</p> <p>94% A4-LTR</p> <p>97% LTR-A4</p>
	<p>Page Layout</p>	<p>Off (1 in 1)*</p> <p>2 in 1 (P)</p> <p>2 in 1 (L)</p> <p>4 in 1 (P)</p> <p>4 in 1 (L)</p>

The factory settings are shown in Bold with an asterisk.

¹ Auto sets the machine to calculate the reduction ratio that best fits the size of paper. Auto is only available when using the ADF.

² "LGL-LTR" and "LGL-A4" are displayed on MFC models only.

9

How to scan to a computer

Scanning a document as a PDF file using ControlCenter4

(For further information See Software User's Guide: *Scanning*)

NOTE

The screens on your PC may vary depending on your model.


ControlCenter4 is a software utility that lets you quickly and easily access the applications you use most often.

- 1 Load your document.
- 2 Do one of the following:
(Windows® XP, Windows® Vista and Windows® 7)

Open ControlCenter4 by clicking  (Start)/All Programs/Brother/XXX-XXXX

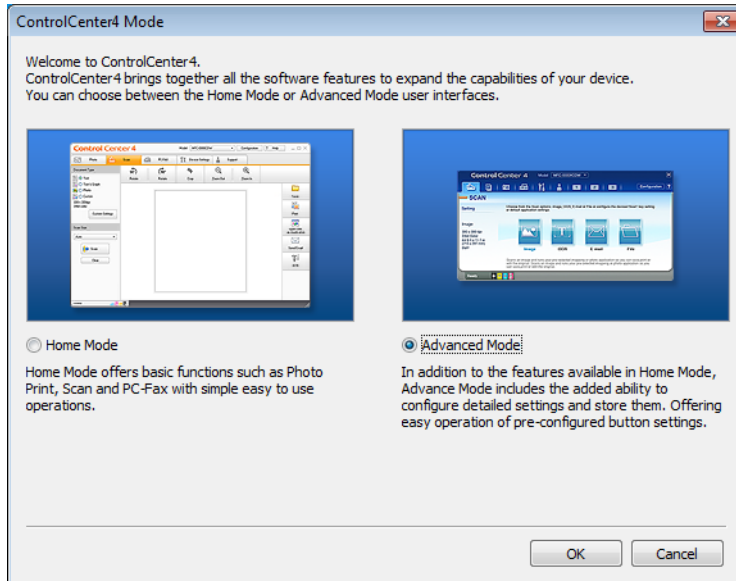
(where XXX-XXXX is your model name)/ControlCenter4. The ControlCenter4 application will open.

(Windows® 8)

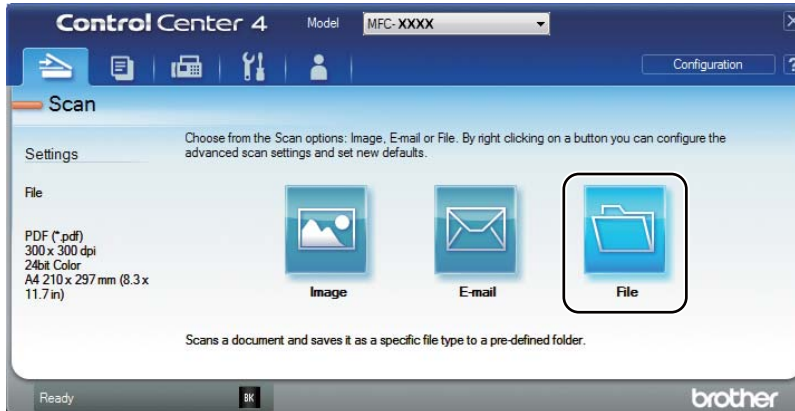
Click  (Brother Utilities), and then click the drop-down list and select your model name (if not already selected). Click **SCAN** in the left navigation bar, and then click **ControlCenter4**.

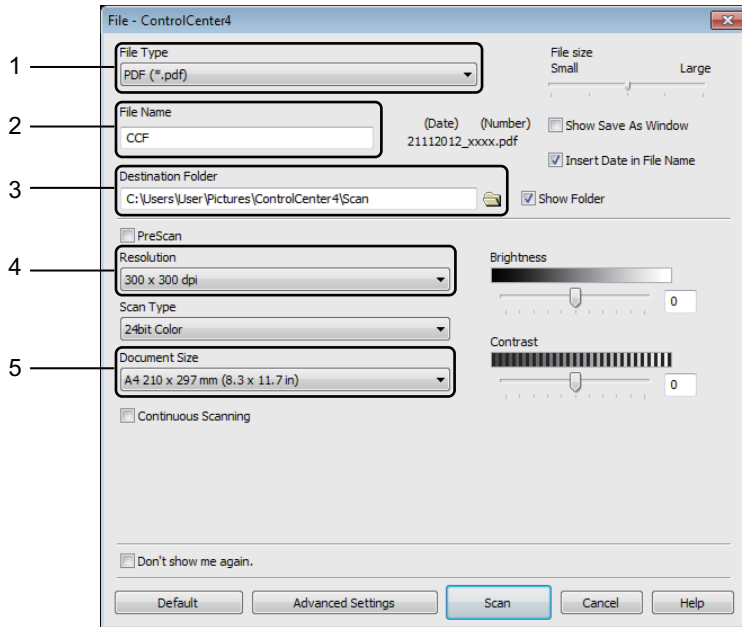
The ControlCenter4 application will open.


- 3 Choose **Advanced Mode** and then click **OK**.



- 4 Click **File** in the **Scan** tab.






- 1 Choose **PDF (*.pdf)** from the File Type drop-down list.
 - 2 You can enter the file name you want to use for the document.
 - 3 You can save the file to the default folder, or choose your preferred folder by clicking the  (**Browse**) button.
 - 4 You can choose a scanning resolution from the **Resolution** drop-down list.
 - 5 You can choose the document size from the **Document Size** drop-down list.
- 5** Click **Scan**.
The machine starts the scanning process. The folder where the scanned data is saved will open automatically.

Scanning using the SCAN key

NOTE

If you want to use this function, install the MFL-Pro Suite and connect the machine to your PC with a USB cable.

- 1 Load your document. (See *How to load documents* on page 34.)
- 2 Press  (**SCAN**).
- 3 Press ▲ or ▼ to choose `Scan to PC`.
Press **OK**.
- 4 Press ▲ or ▼ to choose a scan type (`File`, `E-mail` or `Image`).
Press **OK**.
- 5 Press ▲ or ▼ to choose `Start Scan`.
Press **OK**.
- 6 Press **Start**.
The machine starts the scanning process.

SCAN key settings


You can change your machine's **SCAN** key settings using ControlCenter4.

- 1 Do one of the following:
(Windows® XP, Windows® Vista and Windows® 7)

Open ControlCenter4 by clicking  (**Start**)/**All Programs/Brother/XXX-XXXX**

(where XXX-XXXX is your model name)/**ControlCenter4**. The ControlCenter4 application will open.

(Windows® 8)

Click  (**Brother Utilities**), and then click the drop-down list and select your model name (if not already selected). Click **SCAN** in the left navigation bar, and then click **ControlCenter4**.

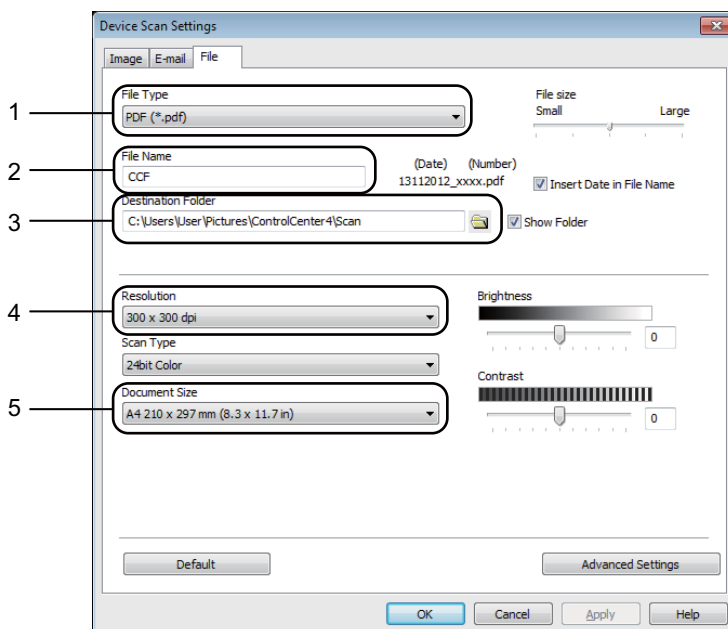
The ControlCenter4 application will open.


- 2 Click the **Device Settings** tab.

- 3 Click **Device Scan Settings**.



- 4 Choose the **File** tab. You can change the default settings.



- 1 You can choose the file type from the drop-down list.
- 2 You can enter the file name you want to use for the document.
- 3 You can save the file to the default folder, or choose your preferred folder by clicking the  (**Browse**) button.
- 4 You can choose a scanning resolution from the **Resolution** drop-down list.
- 5 You can choose the document size from the **Document Size** drop-down list.

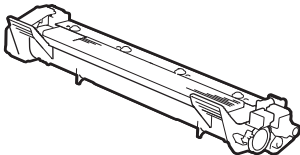
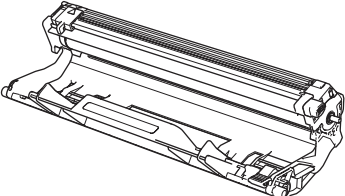
- 5 Click **OK**.

A

Troubleshooting and other information

Consumable items

The drum unit and toner cartridge are two separate consumables. Make sure both are installed as an assembly. For more information on how to replace the consumable items, see the instructions included with the drum unit for replacing the drum unit or see the instructions listed on the box of the toner cartridge for replacing the toner cartridge.

Toner cartridge	Drum unit
Model Name: TN-1035	Model Name: DR-1035
	

IMPORTANT

- Brother machines are designed to work with toner of a particular specification and will work to a level of optimum performance when used with Brother Original toner cartridges. Brother cannot guarantee this optimum performance if toner or toner cartridges of other specifications are used. The machine may not detect toner or toner cartridges of other specifications correctly but may instead detect such items as standard yield toner cartridges. Brother does not therefore recommend the use of cartridges other than Brother Original cartridges with this machine, or the refilling of empty cartridges with toner from other sources. If damage is caused to the drum unit or other parts of this machine as a result of the use of toner or toner cartridges other than Brother Original products due to the incompatibility or lack of suitability of those products with this machine, any repairs required as a result may not be covered by the warranty.
- For best performance, use Brother Original drum and toner units. Printing with a third party drum unit or toner unit may reduce not only the print quality but also the quality and life of the machine itself. Warranty coverage may not apply to problems caused by the use of a third party drum or toner unit.

NOTE

- Discard used consumable items according to local regulations, keeping it separate from domestic waste. If you have questions, call your local waste disposal office. Be sure to reseal the consumable items tightly so that the material inside does not spill.
- The projected life for each of the toner cartridges is based on ISO/IEC 19752. Frequency of replacement will vary depending on the complexity of printed pages, percentage of coverage and type of media used.

Identifying your problem

First, check the following:

- **The machine's power cord is connected correctly and the machine is turned on.**
- **All of the protective parts have been removed.**
- **Paper is inserted correctly in the paper tray.**
- **The interface cables are securely connected to the machine and the computer.**

If you did not solve your problem with the above checks, identify your problem and then go to the page suggested below:

Telephone and Fax problems (MFC-1813 and MFC-1818) on page 59

Improving the print quality on page 61

If the machine is connected to a PC, depending on the error, a Popup application may appear on the PC.

Follow the instructions on the screen to resolve the error.

Error and maintenance messages

The most common error and maintenance messages are shown below.

If you need more help, the Brother Solutions Center offers the latest FAQs and troubleshooting tips:

Visit us at <http://solutions.brother.com/>.

Error Message	Cause	Action
Cartridge Error Put the Toner Cartridge back in.	The toner cartridge is not installed correctly.	Put the toner cartridge firmly into the drum unit, and then put it back in the machine.
	Verify you are using a genuine Brother toner cartridge.	Use only a genuine Brother Original drum unit and genuine Brother Original toner cartridge.
Comm. Error	Poor telephone line quality caused a communication error.	Try sending the fax again.
Cooling Down Wait for a while	The inside of the machine is extremely hot.	The machine will pause its current print job and go into Cooling Down mode. Wait until the machine is in Ready mode.
Disconnected	The other person or other person's fax machine stopped the call.	Try to send or receive again.
Document Jam	The document was not inserted or fed correctly, or the document scanned from the ADF was too long.	Pull the jammed paper out of the ADF unit. (MFC-1813 and MFC-1818)
Drum End Soon Replace Drum	It is time to replace the drum unit. The drum unit counter was not reset when a new drum was installed.	Replace the drum unit or reset the drum unit counter when a new drum is installed. (See the instructions that are supplied with the new drum unit.)
Out of Memory	The machine's memory is full.	<p>Fax sending or copy operation in process</p> <p>Do one of the following:</p> <ul style="list-style-type: none"> ■ Press Start to send or copy the scanned pages. ■ Press Stop/Exit and wait until the other operations in progress finish, and then try again. <p>Print operation in process</p> <ul style="list-style-type: none"> ■ Press Stop/Exit. The machine will cancel the print job and clear it from the memory. ■ Lower the print quality. <p>(See Software User's Guide: <i>Printing</i> (for Windows®) or <i>Printing and Faxing</i> (for Macintosh))</p>

Error Message	Cause	Action
Self-Diagnostic	The temperature of the fuser unit does not rise to a specified temperature within the specified time.	Turn the machine off, wait a few seconds, and then turn it on again. Leave the machine idle for 15 minutes with the power on.
	The fuser unit is too hot.	
Toner Low	If the LCD shows <code>Toner Low</code> you can still print; however, the machine is telling you that the toner cartridge is near the end of its life.	Order a new toner cartridge now so a replacement toner cartridge will be available when the LCD shows <code>Replace Toner</code> or <code>Toner Ended</code> .

NOTE

Turning off the machine will erase the fax data in the memory. To prevent you from losing any important messages, see *Transferring your faxes or Fax Journal report (MFC-1813 and MFC-1818)* on page 69.

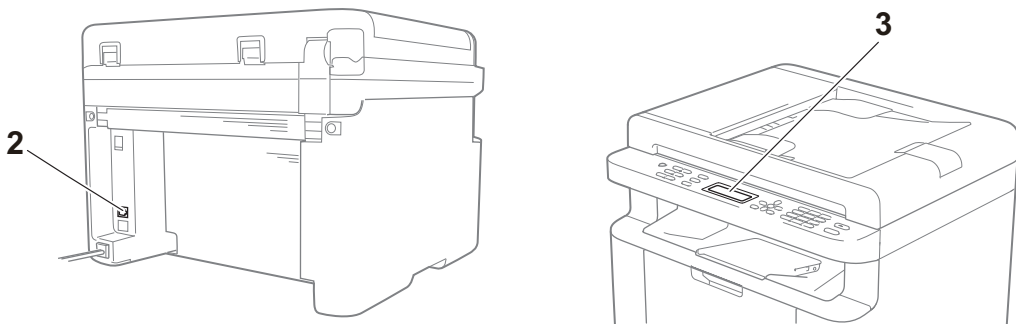
If you are having difficulty with your machine

Most problems can be easily resolved by yourself. If you need additional help, the Brother Solutions Center offers the latest FAQs and troubleshooting tips.

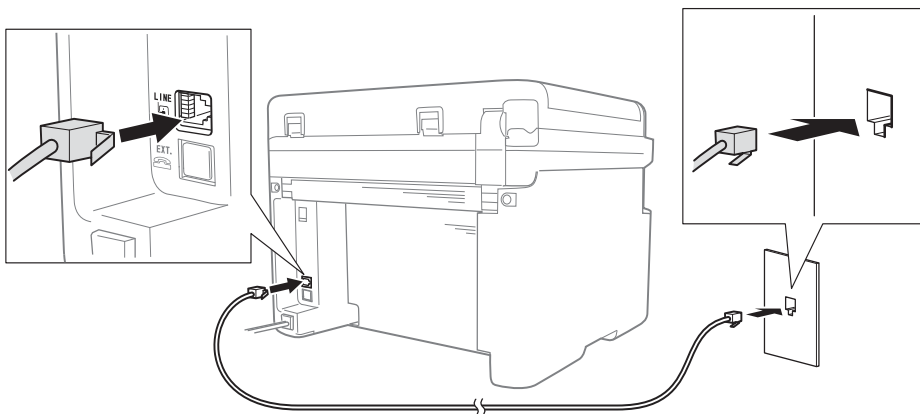
Visit us at <http://solutions.brother.com/>.

Telephone and Fax problems (MFC-1813 and MFC-1818)

If you cannot send or receive a fax, check the following:



- 1 Check the machine's power cord is connected correctly and the machine is turned on.
- 2 Connect one end of the telephone line cord to the area labelled "**LINE**," and then connect the other end of the telephone line cord directly to a telephone wall socket.



If you can send and receive faxes when the telephone line is directly connected to the fax, the problem may be unrelated to the machine. Please contact your service provider for connection issues.

- 3 Check the receive mode.

For more information on setting the Receive mode, see *Fax Receive modes* on page 38.

4 Change the compatibility setting to *Basic (for VoIP)*.

You may be able to send and receive faxes by lowering the connection speed.

- 1 Press **Menu, 2, 0, 1**.
- 2 Press **▲** or **▼** to choose *Basic (for VoIP)*.
- 3 Press **OK**.
- 4 Press **Stop/Exit**.

If the problem is still not resolved after trying all of the above, turn the machine off, and then turn it on.



If you still cannot send or receive faxes after trying all of the above, check the FAQ on the Brother Solutions Center website (<http://solutions.brother.com/>).

Troubleshooting for other problems

Question	Answer
Cannot receive a fax.	If you have a dedicated fax line and want your Brother machine to automatically answer all incoming faxes, you should choose <i>Fax Auto</i> .
Can I set the machine not to print the Transmission Verification report?	This product will print a Transmission Verification report. Even if the Transmission Verification report is set to <i>Off</i> , a report is printed when there is a communication error. If the <i>Journal Period</i> is set to <i>Off</i> , <i>Fax Journal</i> are not printed.
Can I cancel the fax job?	Press Stop/Exit to cancel the fax, or press Menu 2, 7 to cancel the remaining jobs.
Poor sending quality.	Try changing your resolution to <i>Fine</i> or <i>S.Fine</i> , or clean the scanner.
Sent faxes are blank.	Make sure you are loading the document correctly. The document should be face down when using the ADF or the scanner glass. See <i>Loading documents</i> on page 34.
Vertical black lines when sending.	Black vertical lines on faxes you send are typically caused by dirt or correction fluid on the glass strip. See <i>Clean the inside of the machine</i> . on page 62.

Improving the print quality

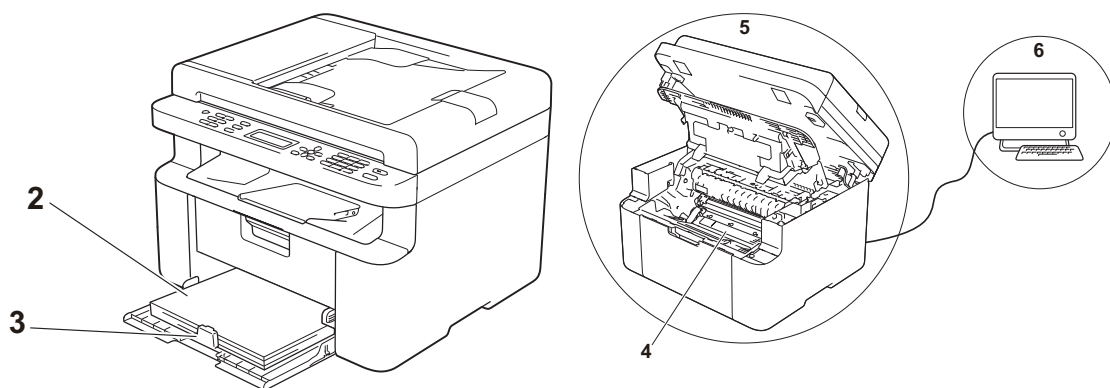
NOTE

Brother does not recommend the use of cartridges other than Brother Original cartridges or the refilling of used cartridges with toner from other sources.

If you are having problems with print results, check the following:

1 The machine's environment.

Choose a location where the temperature remains between 10°C and 32.5°C and the humidity is between 20% to 80% (without condensation).



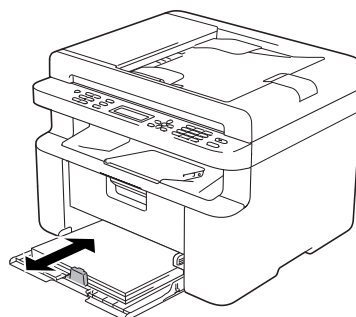
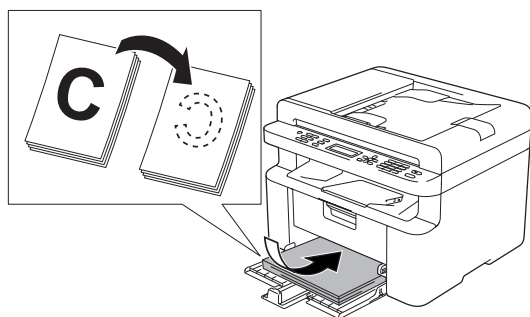
2 Acceptable paper is loaded in the paper tray.

See *Acceptable paper* on page 32

3 The paper is loaded correctly in the machine.

Turning the paper over may help paper loading become smoother.

Adjusting the guide may help paper loading become smoother.



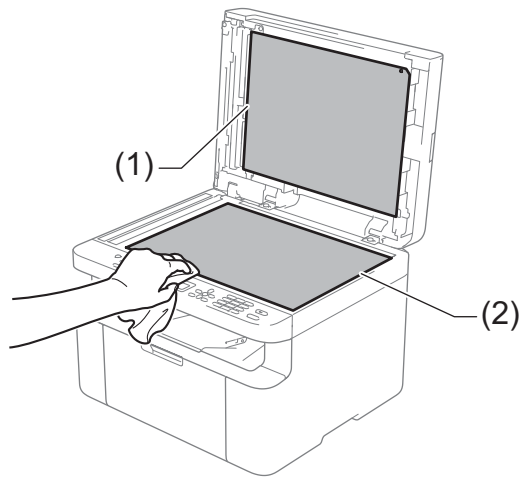
4 Replace a toner cartridge or a drum unit.

For more information on how to replace the consumable items, see the instructions included with the drum unit for replacing the drum unit or see the instructions listed on the box of the toner cartridge for replacing the toner cartridge.

5 Clean the inside of the machine.

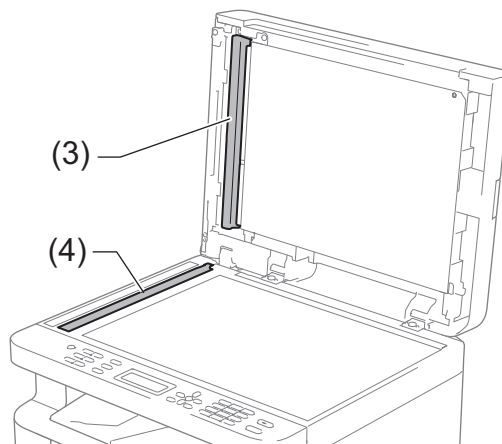
■ Cleaning the scanner glass

Clean the white plastic surface (1) and scanner glass (2).



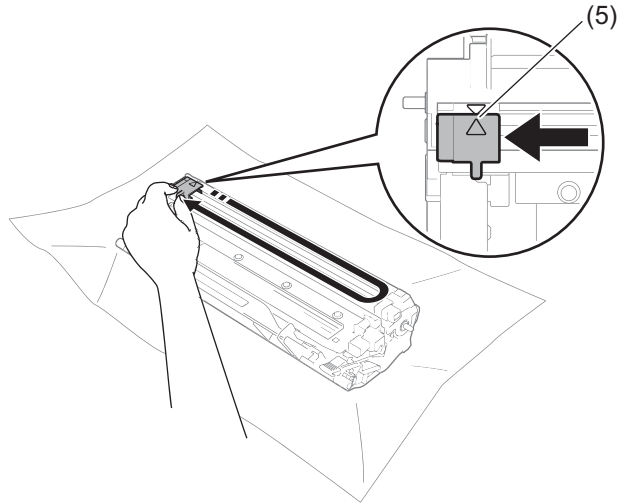
(MFC-1813 and MFC-1818)

Clean the white bar (3) and the scanner glass strip (4).



■ Cleaning the corona wire

Slide the green tab from left to right and right to left several times.

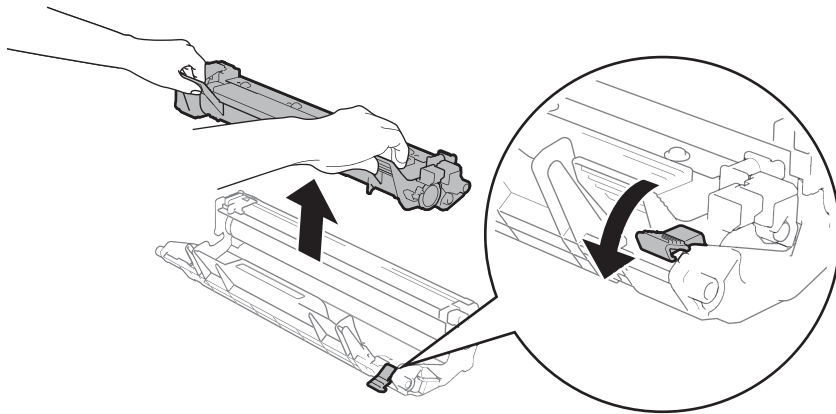


NOTE

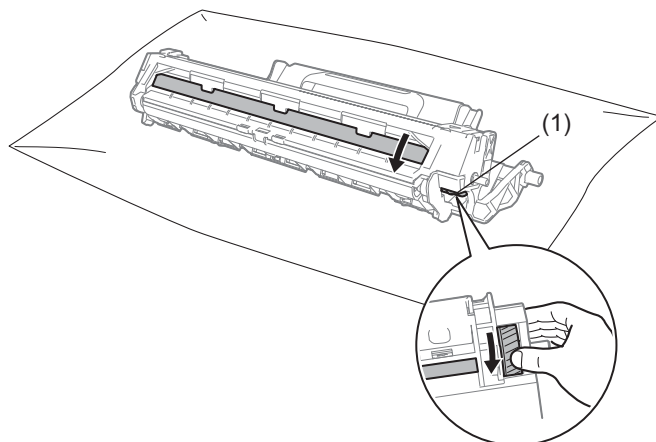
Be sure to return the tab to the home position (▲) (5). If you do not, printed pages may have a vertical stripe.

■ Clean the drum unit if black or white dots appear on printed pages

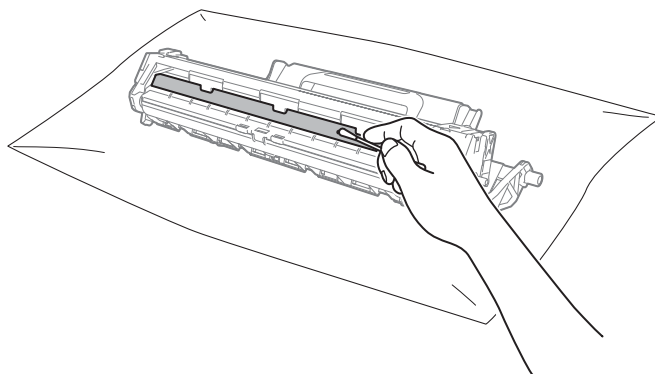
Push down the lock lever and take the toner cartridge out of the drum unit.



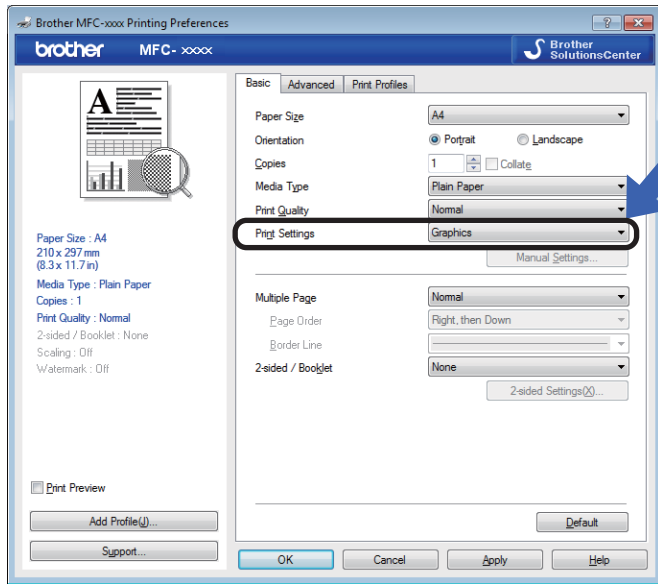
Turn the drum unit gear by hand while looking at the surface of the drum roller (1).



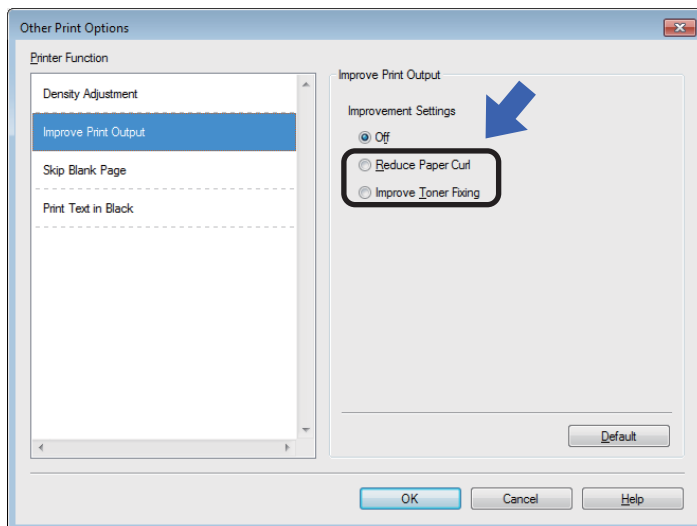
Wipe the surface of the drum gently with a dry cotton swab until the dust or glue on the surface comes off.



- 6 Check the printer driver settings.
Try changing the **Print Settings** in the **Basic** tab.



If the paper is curled or the toner is not fixed well on the paper, you can adjust these settings in **Improve Print Output**. Click **Other Print Options** in the **Advanced** tab.

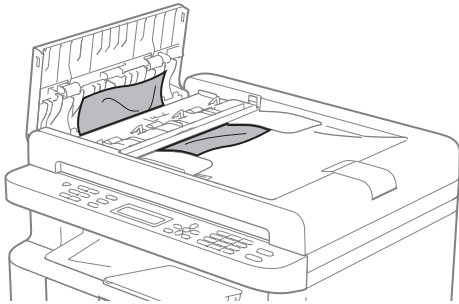


A

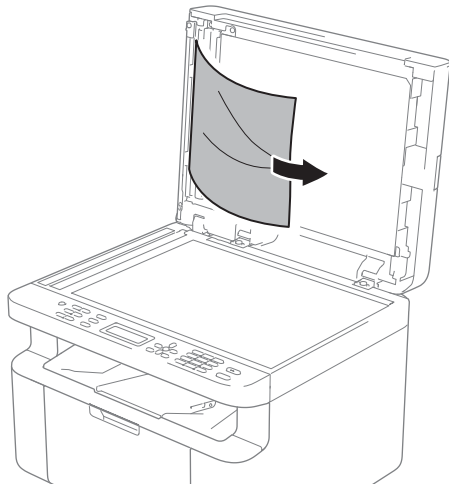
Document Jams (MFC-1813 and MFC-1818)

Follow the steps below to handle a document jam in the ADF.

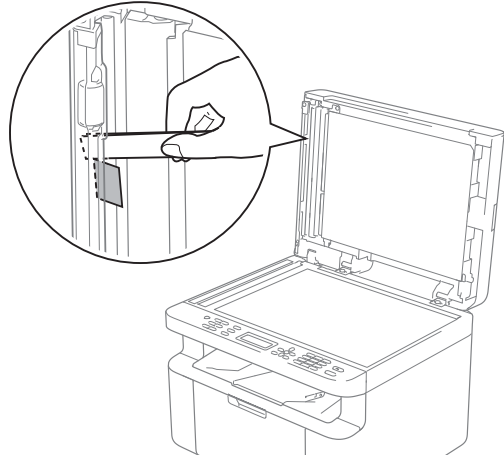
- 1 Open the ADF cover.
- 2 Pull the jammed document out.



- 3 Close the ADF cover.
- 4 Lift the document cover.
- 5 Pull the jammed document out to the right.



- 6 Insert a piece of stiff paper, such as cardstock, into the ADF to push any small paper scraps through.



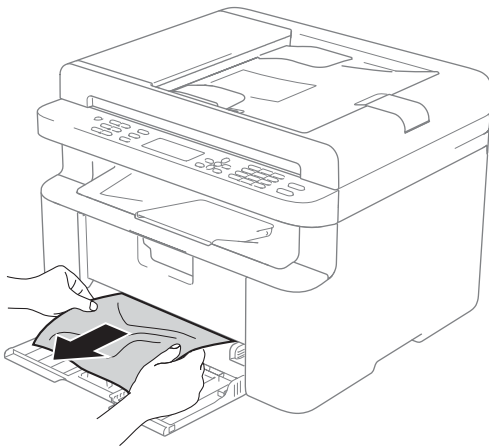
If the document rips or tears, be sure you remove all small paper scraps to prevent future jams.

- 7 Close the document cover.
- 8 Press **Stop/Exit**.

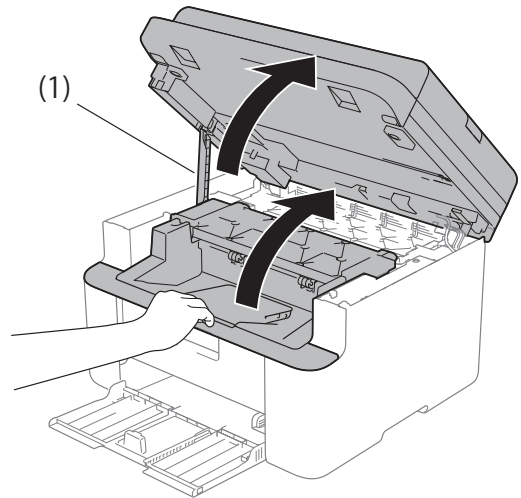
Paper Jams

Always remove all paper from the paper tray and straighten the stack when you add new paper. This helps prevent multiple sheets of paper from feeding through the machine at one time and prevents paper jams.

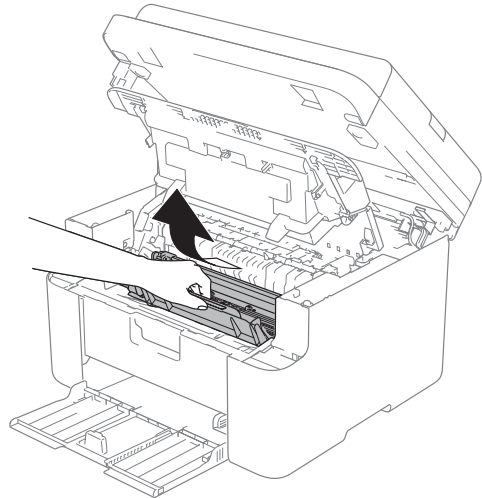
- 1 Turn the machine off.
- 2 Wait at least 15 minutes for the product to cool down before you touch the internal parts of the product.
- 3 Remove all paper loaded in the tray.
- 4 Use both hands to slowly pull out the jammed paper.



- 5 Open the scanner cover. The pull-arm (1) on the left side of the machine will lock. Open the top cover.

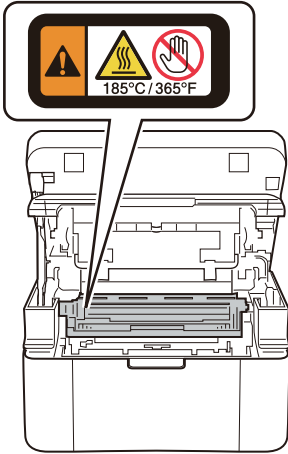


- 6 Slowly take out the drum unit and toner cartridge assembly.

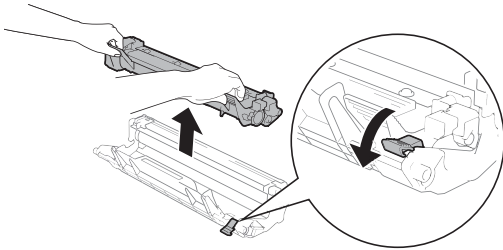


⚠ WARNING

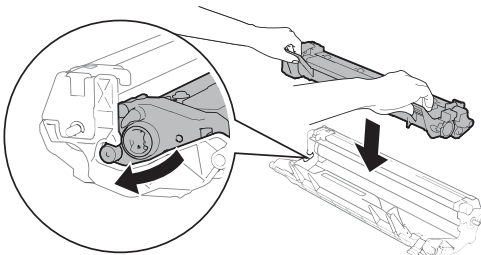
🔥 HOT SURFACE



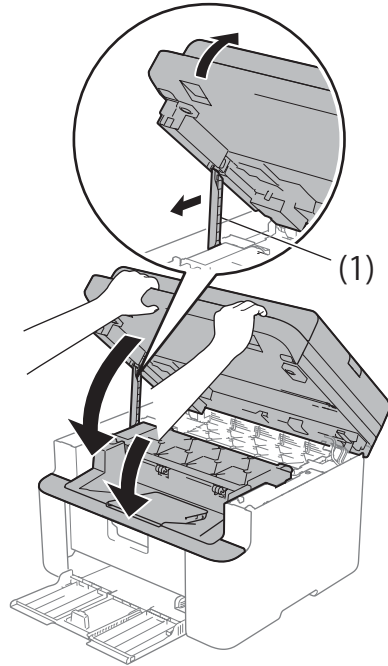
- 7 Push down the lock lever and take the toner cartridge out of the drum unit. Remove the jammed paper if there is any inside the drum unit.



- 8 Put the toner cartridge back into the drum unit until the lock lever lifts automatically.



- 9 Place the drum unit and toner cartridge assembly back in to the machine.
- 10 Close the top cover. After lifting the scanner cover slightly, pull the pull-arm (1) on the left side of the machine down, and then close the scanner cover using both hands.



- 11 Load the paper back in to the tray. Make sure that the paper is below the protruding section of the rear guide. Slide the paper guides to fit the paper size. Make sure that the guides are firmly in the slots.
- 12 Turn the machine on.

Transferring your faxes or Fax Journal report (MFC-1813 and MFC-1818)

If the LCD shows:

- Print Unable XX
- Scan Unable XX

We recommend transferring your faxes to another fax machine or to your PC. (See *Transferring faxes to another fax machine* on page 69 or *Transferring faxes to your PC* on page 69.)

You can also transfer the Fax Journal report to see if there are any faxes you need to transfer. (See *Transferring the Fax Journal report to another fax machine* on page 70.)

NOTE

If there is an error message on the machine's LCD, after the faxes have been transferred, disconnect the machine from the power source for several minutes, and then reconnect it.

Transferring faxes to another fax machine

If you have not set up your Station ID, you cannot enter fax transfer mode. (See *Station ID (Menu, 0, 2)* on *0.Initial Setup* on Menu table.)

- 1 Press **Menu, 9, 0, 1**.
- 2 Do one of the following:
 - If the LCD shows **No Data**, there are no faxes left in the machine's memory. Press **Stop/Exit**.
 - Enter the fax number to which faxes will be forwarded.
- 3 Press **Start**.

Transferring faxes to your PC

You can transfer the faxes from your machine's memory to your PC.

- 1 Make sure that you have installed **MFL-Pro Suite** and then turn on **PC-FAX Receiving** on the PC. (See Software User's Guide: *PC-FAX receiving*)

Do one of the following:

(Windows® XP, Windows® Vista and Windows® 7)

From the  (**Start**) menu, select

All Programs, Brother, MFC-XXXX, PC-FAX Receiving, and select **Receive**. (XXXX is your model name.) (Windows® 8)

Click  (**Brother Utilities**), and

then click the drop-down list and select your model name (if not already selected). Click **PC-FAX Receive** in the left navigation bar, and then click **Receive**.

- 2 Make sure that you have set **PC Fax Receive** on the machine. (See *PC-FAX Receive (For Windows® only)* on page 42.) If faxes are in the machine's memory when you set up **PC-Fax Receive**, the LCD will ask if you want to transfer the faxes to your PC.
- 3 Do one of the following:
 - To transfer all faxes to your PC, press **1**. You will be asked if you want a backup print.
 - To exit and leave the faxes in the memory, press **2**.
- 4 Press **Stop/Exit**.

Transferring the Fax Journal report to another fax machine

If you have not set up your Station ID, you cannot enter fax transfer mode. (See *Station ID* (**Menu, 0, 2**) on *0.Initial Setup* on Menu table.)

- 1 Press **Menu, 9, 0, 2**.
- 2 Enter the fax number to which the Fax Journal report will be forwarded.
- 3 Press **Start**.

Cleaning and Checking the machine

Make sure to read the guidelines in the *Product Safety Guide* before cleaning the machine.

Clean the outside and inside of the machine regularly with a dry, lint-free cloth. When you replace the toner cartridge or the drum unit, make sure that you clean the inside of the machine. If printed pages are stained with toner, clean the inside of the machine with a dry, lint-free cloth.

WARNING



DO NOT use flammable substances, any type of spray, or an organic solvent/liquid containing alcohol or ammonia to clean the inside or outside of the product. Doing so could cause a fire or electrical shock. Instead, use only a dry, lint-free cloth.

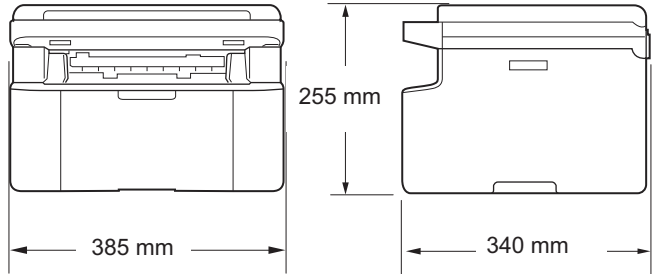
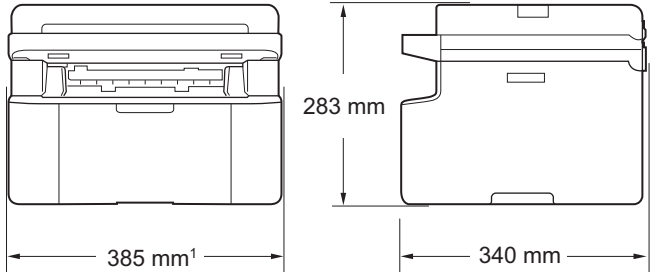
(See *Product Safety Guide: General precautions*)



B

Specifications

General

Model	DCP-1518	MFC-1813	MFC-1818	
Printer Type	Laser			
Print Method	Electrophotographic Laser Printer			
Power Source	220 - 240 V AC 50/60 Hz			
Power Consumption ¹ (Average)	Peak	Approx. 1,080 W at 25 °C		
	Printing	Approx. 380 W at 25 °C		
	Copying	Approx. 380 W at 25 °C		
	Ready	Approx. 40 W at 25 °C		
	Deep Sleep	Approx. 0.8 W	Approx. 1.3 W	
	Power Off ^{2 3}	Approx. 0.28 W		
Dimensions	DCP-1518			
				
Dimensions	MFC-1813 and MFC-1818			
				
¹ For MFC-1818, the width is 456 mm.				
Weights (with consumables)	7.0 kg	8.0 kg	8.3 kg	

Model			DCP-1518	MFC-1813	MFC-1818
Noise Level	Sound Pressure	Printing	LPAM = 51 dB (A)		
	Sound Power	Printing	LWad = 6.5 B (A)		
Temperature		Operating	10 to 32.5 °C		
		Storage	0 to 40 °C		
Humidity		Operating	20 to 80% (without condensation)		
		Storage	10 to 90% (without condensation)		
Interface	USB		Hi-Speed USB 2.0 ^{4 5} It is recommended you use a USB 2.0 cable (Type A/B) that is no more than 2.0 metres long.		
Support OS	Windows®		Windows® XP Home Edition, Windows® XP Professional, Windows® XP professional x64 Edition, Windows Vista®, Windows® 7, Windows® 8		
	Mac OS		Mac OS X v10.6.8, 10.7.x, 10.8.x		
Consumables	Toner Cartridge (Inbox)		Approx. 1,500 pages A4 or Letter page ⁶		
	Toner Cartridge (Standard)		Approx. 1,500 pages A4 or Letter page ⁶		
			Model Name	TN-1035	
	Drum Unit		Approx. 10,000 pages A4 or Letter pages (1 page / job) ⁷		
			Model Name	DR-1035	
Periodical maintenance part	Fuser Unit	50,000 pages ⁸			

¹ Measured when the machine is connected to the USB interface.

² Power consumption varies slightly depending on the usage environment or part wear.

³ Measured according to IEC 62301 Edition 2.0.

⁴ Your machine has a Hi-Speed USB 2.0 interface. The machine can also be connected to a computer that has a USB 1.1 interface.

⁵ Third-party USB ports are not supported.

⁶ Approx. cartridge yield is declared in accordance with ISO/IEC 19752.

⁷ Drum life is approximate and may vary by type of use.

⁸ Fuser life is approximate and may vary by type of use.

Document Size

Model		DCP-1518	MFC-1813	MFC-1818
ADF(automatic document feeder)		—	Up to 10 pages	
Scanner Glass		One sheet per time		
Document Size	ADF	—	A4, Letter, Legal, Folio	
	Scanner Glass	Length: Up to 300.0 mm Width: Up to 215.9 mm		
Weight	ADF	—	65 to 90 g/m ²	
	Scanner Glass	Up to 2kg		

Print media

Model			DCP-1518	MFC-1813	MFC-1818
Paper Input	Paper Tray	Paper Type	Plain Paper, Recycled Paper		
		Paper Size	A4, Letter, Legal, Folio		
		Paper Weight	65 to 105 g/m ²		
		Maximum Paper Capacity	Up to 150 sheets of 80 g/m ² Plain paper		
Paper Output	Face-Down Output Tray	Up to 50 sheets of 80 g/m ² Plain Paper (face-down delivery to the face-down output paper tray)			

Fax

Model		DCP-1518	MFC-1813	MFC-1818
Modem Speed		—	14,400 bps (with Automatic Fallback)	
Scanning Width		—	Max. 208 mm	
Printing Width		—	Max. 208 mm	
Greyscale		—	8 bit/256 levels	
Resolution	Horizontal	—	8 dot/mm	
	Vertical	—	Standard: 3.85 line/mm	
		—	Fine: 7.7 line/mm	
		—	Photo: 7.7 line/mm	
—	—	Superfine: 15.4 line/mm		
Speed Dial		—	99 stations	
Automatic Redial		—	3 times at 5 minute intervals	
Memory Transmission		—	Up to 400 ¹ pages	
Out of Paper Reception		—	Up to 400 ¹ pages	

¹ 'Pages' refers to the 'ITU-T Test Chart #1' (a typical business letter, Standard resolution, MMR code). Specifications and printed materials are subject to change without prior notice.

Copy

Model	DCP-1518	MFC-1813	MFC-1818
Copy Width	Max. 210 mm		
Multiple Copies	Stacks or Sorts up to 99 pages		
Reduce/Enlarge	25% to 400% (in increments of 1%)		
Resolution	Up to 600 × 600 dpi		
First Copy Out Time ¹	Less than 16 seconds at 23 °C / 230 V		

¹ From Ready mode and standard tray

Scanner

Model		DCP-1518	MFC-1813	MFC-1818
Color		Yes		
TWAIN Compliant		Yes (Windows® XP/ Windows Vista® / Windows® 7 / Windows® 8 / Mac OS X v10.6.8, 10.7.x, 10.8.x ¹)		
WIA Compliant		Yes (Windows® XP / Windows Vista® / Windows® 7 / Windows® 8)		
ICA Compliant		Yes (Mac OS X v10.6.8, 10.7.x, 10.8.x)		
Color Depth	Color	24 bit color processing (Input) 24 bit color processing (Output)		
	Grayscale	8 bit color processing (Input) 8 bit color processing (Output)		
Resolution		Up to 19,200 × 19,200 dpi (interpolated) ²		
		Up to 600 × 1200 dpi (optical) ² (from Scanner Glass)		
		—	Up to 600 × 600 dpi (optical) ² (from ADF)	
Scanning Width		Max. 210 mm		

¹ For the latest driver updates for the version of Mac OS X you are using, visit us at <http://solutions.brother.com/>.

² Maximum 1200 × 1200 dpi scanning with the WIA driver in Windows® XP, Windows Vista®, Windows® 7 and Windows® 8 (resolution up to 19200 × 19200 dpi can be chosen by using the scanner utility)

Printer

Model	DCP-1518	MFC-1813	MFC-1818
Resolution	HQ1200 (600dpi) ³		
Print Speed ¹	Up to 20 pages/minute (A4 size) Up to 21 pages/minute (LTR size)		
First Print Out Time ²	Less than 10 seconds at 23 °C / 230 V		

¹ The print speed may vary depending on the type of document you print.

² From Ready mode and standard tray

³ HQ1200 is a Brother image processing technology that enables vivid, sharp and smooth quality of printing.

C

Index

A

Address Book	5
ADF (automatic document feeder)	
using	34
Apple Macintosh	
See Software User's Guide.	
Auto Power Off	30
Automatic	
fax receive	38

B

Broadcasting	37
cancelling	37

C

Cancelling	
broadcast in process	37
Cleaning	
corona wire	63
drum unit	63
scanner	62
Consumable items	55
Control panel overview	4
ControlCenter2 (for Macintosh)	
See Software User's Guide.	
ControlCenter4 (for Windows®)	
See Software User's Guide.	
Copy	
copy options key	4, 6

D

Deep Sleep mode	30
Dialling	
manual	40
Speed Dial	40
using the Search key	40
Dimensions	71
Document	
how to load	34
jam	66
Drum unit	55
cleaning	63

E

Error messages on LCD	57
-----------------------------	----

F

FAX (PC-FAX)	
Macintosh	
See Software User's Guide.	
Windows®	
receiving	42
sending	43
Fax, stand-alone	
receiving	
Continue Mode	31
sending	36
broadcasting	37

H

Help	
LCD messages for DCP models	23
LCD messages for MFC models	7
Menu Table for DCP models	24
Menu Table for MFC models	8

L

LCD (liquid crystal display)	4, 6, 7, 23
------------------------------------	-------------

M

Macintosh	
See Software User's Guide.	
Maintenance, routine	70
Manual	
dialling	40
Menu Table	
DCP models	24
MFC models	8
Mode, entering	
fax	36

P

Paper	32
jam	67

recommended	32
size	32
tray capacity	32
PC-Fax	
See Software User's Guide.	
PC-Fax	42
Print	
quality	61
resolution	78
specifications	78
Printing	
See Software User's Guide.	
Programming your machine	7, 23

Q

Quality	
printing	61
Quick dial	
broadcasting	37
Speed Dial	
changing	39
setting up	39
using	40

R

Remote setup	
See Software User's Guide.	
Resolution	
copy	76
fax	75
print	78
scan	77

S

Scan a document to a computer	50
Scanner glass	
using	34
Scanning	50
See Software User's Guide.	
Specifications	71
copy	76
document size	73
fax	75
general	71
print	78
print media	74
scan	77

Speed Dial	
changing	39
setting up	39
using	40

T

Text, entering	29
Toner Setting (Continue Mode)	30
Troubleshooting	59
document jam	66
error and maintenance messages	
on LCD	57
paper jam	67
print quality	61
Telephone and Fax	59
other problems	60

W

Weights	71
Windows®	
See Software User's Guide.	

Brother FAX-PRINTER ASCs

Remark:The list was by the end of May, 2012. Information in the list is subject to change without further notice. Please visit www.95105369.com to get the latest information.

省	城市	维修站名称	维修站地址	区号	电话
黑龙江	哈尔滨	黑龙江光电世纪科技开发有限公司	哈尔滨市南岗区南通大街258号船舶电子大世界中区138室	0451	82530790
	哈尔滨	哈尔滨松颖嘉禾高科技有限公司	哈尔滨市南岗区南通大街228号	0451	82539961
	哈尔滨	哈尔滨金佳特科技开发有限公司	哈尔滨市南岗区一曼街副2号泰山电子城507室	0451	82549588
吉林	齐齐哈尔	齐齐哈尔天智商贸有限公司	龙沙区百脑惠电脑城办公楼2楼	0452	2423244
	长春	长春市扬明兴业科技有限责任公司	吉林省长春市南关区人民大街7350号四季阳光小区三号楼101室	0431	85624398, 85622439
	长春	长春市臻正伟业办公设备有限责任公司	吉林省长春市工农大路1313号百脑汇科技大厦1222室	0431	85627141
辽宁	吉林	吉林市通联科贸有限公司	桃源160号11号网点	0432	62099000
	大连	大连东翎数码科技有限公司	大连市中山区长江路177号海源电子城3楼C007号	0411	81113639
	沈阳	沈阳慧园数码科技有限公司	沈阳市和平区三好街82号维用大厦512室	024	62220555
内蒙古	沈阳	沈阳万众同心高科技有限公司	沈阳市和平区文萃路新城2F北-14F门2803	024	23981270
	丹东	丹东金融电脑器材有限公司	丹东市振兴区青年大街23-6号	0415	2143999
	包头	包头市万瑞电脑服务有限责任公司	包头市昆都仑区新光西路昆河镇镇政府附二楼	0472	2326777
甘肃	呼和浩特	呼和浩特市盟盟科技有限责任公司	新城区新华大街呼伦贝尔北路农牧业厅高层小区2号楼3单元3楼西户	0471	6268819/20转8031
	兰州	兰州平安商贸有限公司	兰州市科技街41号	0931	8274760, 2136532
	兰州	兰州思源科技发展有限公司	甘肃省兰州市城关区科技街185号	0931	8272000
新疆	乌鲁木齐	乌鲁木齐华昭通信设备有限公司	乌鲁木齐扬子江路213号红十月花园东一区6号楼4单元101室	0991	4522839, 4522512
	乌鲁木齐	乌鲁木齐爱厦实业有限公司	乌鲁木齐市黄河路396号七一酱园A座2711	0991	5866031
	银川	宁夏英士达办公设备有限公司	银川市文化东街256号	0951	6010943, 6081436
宁夏	银川	宁夏卓越电子技术服务有限公司	银川市鼓楼北街18号中展电子二楼	0951	6014367
	西宁	西宁城西迅捷通讯经营部	西宁市胜利路电子市场西区45-47号	0971	6135439
	西宁	西宁赛奥科技有限公司	青海省西宁市胜利路58号宏业大厦2134室	0971	6122563
陕西	西安	陕西康博机电有限公司	西安市雁塔路中段68号百脑汇电脑商城13层A1311-16室	029	87895140
	西安	西安赛尚电子科技有限公司	西安市育才路65号	029	85530775
	宝鸡	陕西隆辉信息产业发展有限公司	陕西省宝鸡市公园路98号9号楼一单元101室	0917	2876578
山西	太原	山西星凯科技有限公司	山西省太原市平阳路金茂大厦15层E户	0351	7528068
	太原	太原市艾替数码科技有限公司	太原市小店区寇庄北街12号	0351	7341081
	太原	太原华汉兴业科技发展有限公司	太原市小店区南内环街100号恒地大厦17层1706-1708	0351	7240846, 4006530055
河北	石家庄	石家庄泽明商贸有限公司	石家庄市桥西区南小街金世界外贸区金悦公馆704房	0311	87887706
	石家庄	石家庄金业祥和办公设备有限公司	石家庄市和平东路342号时代广场A-2-701	0311	86212129
	保定	保定市誉凯八方办公设备有限公司	保定市幼业场路幼业三层A3号	0312	2096095
河南	唐山	唐山三力伟业商贸有限公司	唐山市北新东道开滦体育馆东侧50米路南	0315	2837224
	邢台	邢台市佳华世纪科技有限公司	邢台市科技大厦底商佳文电子(临郭守敬北路)	0319	7613026
	北京	中国电子器材总公司	北京市东城区东皇城根南街88号	010	65266126
北京	北京	北京泰峰智控科技有限公司	北京市朝阳区东土城路9号院15号	010	84473121, 84473122
	北京	北京万京港技贸有限公司	北京市海淀区中关村大街18号中关村数字物流港一层0002号	010	62653486
	北京	北京易鑫星科技服务有限公司	北京市海淀区中关村大街22号中科院A806室	010	62628292
天津	北京	北京志诚泰和数码办公设备股份有限公司	北京市海淀区知春路108号豪景大厦10层	010	62106393
	天津	天津市坤坤办公设备有限公司	天津市南开区白堤路泰达国际11号楼1门701室	022	27826840
	郑州	郑州永和电子有限公司	郑州市东风路10号外运电子商厦301	0371	63661960
河南	郑州	郑州华信电子有限责任公司	郑州市文化路68号科技市场D1-104楼	0371	68209533
	商丘	商丘启航办公设备有限公司	商丘市民主路高科电子城E区11号	0370	2310998
	洛阳	洛阳华文电子科技有限公司	洛阳市中州中路2号世纪电脑城A区05-06	0379	64889186
山东	平顶山	河南华星电子有限公司	平顶山市建设路中段电子时代广场2楼2004室	0375	2976995, 2976992
	新乡	新乡市永丰电子商贸有限公司	新乡市和平大道体育中心北区112号	0373	3072022
	济南	济南金志成通讯办公设备有限公司	济南市经一路延长线15号(天桥南头东北角)	0531	87061649
山东	青岛	青岛日升数码科技有限公司	青岛市辽宁路226号电子信息城133-135室	0532	83849398, 83847678
	济宁	济宁市任城区金成办公设备销售中心	济宁市建设北路117号仙营数码商城一楼	0537	2607822
	淄博	淄博齐赛科技市场华兴电脑经营部	淄博市北西六路齐赛科技市场老厅108室	0533	2771850
湖北	潍坊	潍坊市电子街蒙田传真机总汇	潍坊市四平路电子街35号	0536	8210877
	临沂	临沂批发城宇森办公设备销售部	山东省临沂市临沂西五路与水安路交汇西600米	0539	8067155
	烟台	烟台三站新天鸿办公设备商行	山东省烟台市芝罘电路12号3楼354室	0535	2964171
湖北	武汉	武汉市大通电讯设备有限公司	武汉市硚口区利济北路80号财源大厦主楼一层5号门面	027	85426778
	襄阳	襄阳市三和现代办公设备有限公司	湖北省襄阳市春园路17-11号(火炬大厦旁火炬路1号对面)	0710	3233001
	武汉	武汉鑫宝丰盛科技有限公司	武汉市洪山区珞瑜路华中数码城9088B	027	51854915
江苏	荆州	荆州市维希数码办公设备有限责任公司	荆州市沙市区红门路23号飞腾电脑城5015	0716	4310075
	十堰	十堰金铭科贸有限公司	十堰市朝阳北路8号泰弘电脑城A2-22	0719	8264500
	苏州	苏州工业园区长江通讯设备有限公司	苏州市沧浪区滚绣绣坊49-51号(近乌鹊桥)	0512	65155875
江苏	无锡	无锡市锦杰办公设备有限公司	无锡市中山路88号明珠大厦2号楼804室	0510	82723607转808
	南京	南京天多办公设备服务有限公司	南京市珠江路东大影壁1号院内	025	84723315
	常州	常州市信成办公设备有限公司	常州市怀德北路23号(瑞金医院广场南)	0519	86622369
江苏	盐城	盐城市国通数码网络有限公司	盐城市沙井头6号楼3号	0515	88319628
	徐州	徐州市金力新技术有限公司	徐州市中山南路云海电脑大厦213-214室	0516	83813900, 83813600
	南通	南通南顺现代办公设备有限公司	南通市濠东路203号	0513	85108308
淮安	淮安市淮海办公设备有限公司	淮安市淮海南路1号财富广场南侧B06-2门店	0517	83998668, 83999668	

Brother FAX-PRINTER ASCs

Remark:The list was by the end of May, 2012. Information in the list is subject to change without further notice. Please visit www.95105369.com to get the latest information.

省	城市	维修站名称	维修站地址	区号	电话
江苏	昆山	昆山万能达办公设备有限公司	昆山市市后街178号78栋	0512	57704911
	连云港	连云港天朝科技有限公司	连云港市新浦区通灌南路国安商城1-19号	0518	85517178
	常熟	常熟市金兰通讯器材有限责任公司	常熟市招商城小商品市场4楼1号	0512	52753955
	镇江	镇江市星辰物资贸易有限公司	镇江市健康路6号五环大楼一楼西	0511	85015860
	扬州	扬州市恒鼎商贸有限公司	扬州市文昌中路362号(原花观西廊坊)	0514	87361860, 85112311
	泰州	泰州市海陵区蓝海狮贸易有限公司	江苏省泰州市海陵区青年北路219号金茂大厦711室	0523	86212300
上海	上海	上海发思达企业发展有限公司	上海市徐汇区零陵路23号	021	64162760
	上海	上海发思达办公通信设备有限公司	上海市共和新路1207号7号楼3楼	021	51005128
	上海	上海群盛办公设备有限公司	上海市浦东新区杨高南路1677弄33号	021	4008803969, 58730801
	上海	上海中纺电子系统有限公司	上海市延安西路1754号	021	52570565
浙江	温州	温州科教数码有限公司	温州市黎明西路231号海耀大楼2楼北203-205室	0577	56588137, 88861058
	宁波	宁波新中讯数码产品有限公司	宁波市镇明路516号	0574	87303595
	台州	台州市路桥天虹办公设备商行	台州市路桥区腾达路电子数码城二楼2646号(世纪广场西侧)	0576	82438802, 82517646
	义乌	义乌市剑达通讯器材有限公司	义乌市银龙商务楼B19-20号	0579	85841777
	杭州	杭州盛瑞办公用品有限公司	杭州市教工路123号华门商务中心502室	0571	56771600
	杭州	杭州蓝天电脑服务有限公司	杭州市学院路58号华星创业大楼103号	0571	56831125
	绍兴	绍兴市越城恒誉办公设备商店	绍兴市长桥直街110号	0575	85089619
	嘉兴	嘉兴市理想商贸科技有限公司	嘉兴市越秀北路146号	0573	82117943
	瑞安	瑞安市兄弟办公通讯设备维修中心	瑞安市瑞光大道302-306号	0577	65626699
安徽	合肥	合肥宝龙四凯信息科技有限公司	合肥市合寨路92号高科技广场北2座12A	0551	3638800
	芜湖	芜湖市先通通讯器材经营部	芜湖市北京西路7-3-4号	0553	3866100, 3855100
	阜阳	阜阳市诚信电脑有限公司	阜阳市颍州北路180号(国贸北150米)	0558	2270007
	滁州	滁州市飞鸿电子科技有限公司	滁州市紫薇北路1093号(汽车站西大门)	0550	2158999
	六安	六安宇恒数码科技有限公司	六安市古楼街B区27号	0564	3325602
江西	南昌	南昌鸿邮办公自动化有限公司	江西省南昌市八一一大道135号8楼(长运商贸城A座8楼)	0791	86204110
	南昌	江西怡瑞科技发展有限公司	南昌市洪都中大道158号鸿雁电子市场N楼2号	0791	88600759
	九江	九江怡和信息技术有限公司	九江市滨江路289号滨江国际D座1501室	0792	8103338
	南昌	南昌盛瑞办公用品有限公司	南昌市八一一大道96号华龙国际大厦605室	0791	82080627
湖南	上饶	上饶市佳亿通贸易有限公司	上饶市中山西路86号	0793	8211700
	长沙	湖南长沙正道电子贸易有限公司	长沙市朝晖路253号铁银商务楼501室	0731	84130061
	长沙	湖南金悦科技发展有限公司	湖南长沙解放东路10号	0731	84131468
四川	岳阳	岳阳天娇数码科技有限公司	岳阳市巴陵中路天正电脑城二楼216号	0730	3229812
	成都	成都欣光电科技有限责任公司	成都市武侯区致民路34号附29号1栋1层21002号	028	85502261 65813101
	成都	成都成百办公用品连锁有限公司	成都市一环路南二段2号新世纪花园东楼11D	028	86622678
	成都	成都新浦科技有限责任公司	成都市一环南路一段20号普利大厦B座803室	028	86310343
重庆	重庆	重庆华锐办公通讯设备有限公司	重庆市渝中区大同路45号大同方城市公寓13楼17室	023	63805703
	重庆	重庆西物办公设备有限责任公司	重庆市九龙坡区科创路65号(渝高广场B座)1-3-8号	023	61578200
贵州	贵阳	贵阳新地科技有限公司	贵阳市都司路128号多企城千代公寓12-5号	0851	5807472
	贵阳	贵州天宇办公设备有限公司	贵阳市富水中路11号恒生大厦20楼	0851	5810111
云南	昆明	昆明春秋数码科技有限公司	昆明市教益路戎锦花园9幢105室	0871	5198286
福建	福州	福州正威数码科技有限公司	福州市东大路150号恒裕大厦西侧一楼	0591	87326462
	泉州	泉州市新城界数码科技有限公司	泉州市鲤城区九一路108号	0595	22176716, 22287718
	厦门	厦门市汉韦电子有限公司	福建省厦门市湖里区仙岳路680号龙门天下10号店(后)	0592	5500712
	漳州	漳州市瑞宝办公设备有限公司	漳州市芗城区南昌路电子城B2楼25号	0596	2097110
	龙岩市	龙岩市拓普晟电子有限公司	龙岩市新罗区交易城数码广场C-16号	0597	2234520
	广州	广州市天循办公设备有限公司	广州市天河区体育东横街南雅苑66号101室	020	85515469
广东	广州	广州市安梓办公设备有限公司	广州市天河区石牌东陶育路1号之五(国防大厦东、君紫花园内)	020	38899279
	深圳	深圳市永安创新办公设备有限公司	深圳市福田区振兴路上步工业区505栋3层312室	0755	83253790
	东莞	东莞市东城永安办公设备经营部	东莞市东城区南城路116号(岗贝路口)	0769	22215855
	珠海	珠海市香洲信兴办公设备商场	珠海市香洲区湾仔沙瀚高商业广场138号	0756	2132275
	深圳	深圳市成玛特办公设备有限公司	深圳市福田区华强北路上步工业区205栋4078室		8008303255(直拨)
	广州	广州置安数码科技有限公司	广州市天河区天河路490号壬丰大厦1905室	020	38886959
	汕头	汕头市铭虹办公设备有限公司	汕头市澄海区外环西路消防大队斜对面	0754	85717295
	深圳	深圳市恒威信数码科技有限公司	深圳市福田区振华路56号兰光大厦C座3楼319室	0755	83649323
	惠州	惠州市华威达办公设备有限公司	惠州市黄塘惠州电脑城新区CA08	0752	2120050
	江门	江门市华信智能科技发展有限公司	江门市环市一路15号109室	0750	8221222
	中山	中山市西区天循办公设备经营部	中山市西区富华道6号西苑电脑城1107号	0760	86116328
	东莞	东莞市云轩办公设备有限公司	东莞市虎门太沙路64号太平广场花园3楼3236室	0769	82888988
	珠海	珠海市联创办公设备有限公司	珠海市香洲区碧海路77号濠海大厦B座302室	0756	2212955
广西	南宁	南宁市迪翔科技有限公司	南宁市星湖路17-3号龙光大厦西座3楼318号	0771	5876145
	南宁	南宁市安华办公设备有限公司	南宁市星湖路南二里3号星湖综合楼一楼	0771	5357290
海南	海口	海口美兰天舜办公设备经营部	海口市海秀路DC商业城新区二楼212档	0898	66757428

National service hotline: **95105369** (Or 021-62371303) Working Hours: 9:00~18:00 (Except Saturday, Sunday and holidays)

To search ASCs/Drivers/Manuals, etc, please visit our service website : www.95105369.com.

To search Consumables purchase shop, please visit Brother company website: www.brother.cn.

brother®

Visit us on the World Wide Web
<http://www.brother.com/>

These machines are approved for use in the country of purchase only. Local Brother companies or their dealers will only support machines purchased in their own countries.



www.brotherearth.com

Free Manuals Download Website

<http://myh66.com>

<http://usermanuals.us>

<http://www.somanuals.com>

<http://www.4manuals.cc>

<http://www.manual-lib.com>

<http://www.404manual.com>

<http://www.luxmanual.com>

<http://aubethermostatmanual.com>

Golf course search by state

<http://golfingnear.com>

Email search by domain

<http://emailbydomain.com>

Auto manuals search

<http://auto.somanuals.com>

TV manuals search

<http://tv.somanuals.com>