

Dell™ PowerVault™ 51F 8-Port Fibre Channel Switch
Rack Installation Guide

Dell™ PowerVault™ 51F Commutateur Fibre Channel à 8 ports
Guide d'installation en rack

Dell™ PowerVault™ 51F Glasfaserkanalschalter mit 8 Anschlüssen
Rack-Installationshandbuch

Dell™ PowerVault™ 51F Interruptor de canal de fibra de 8 puertos
Guía de Instalación del Estante





Dell™ PowerVault™ 51F
8-Port Fibre Channel Switch

**RACK INSTALLATION
GUIDE**

Information in this document is subject to change without notice.

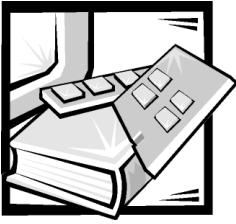
© 1999 Dell Computer Corporation. All rights reserved.

Reproduction in any manner whatsoever without the written permission of Dell Computer Corporation is strictly forbidden.

Trademarks used in this text: *Dell*, the *DELL* logo, *PowerEdge*, and *PowerVault* are trademarks of Dell Computer Corporation.

Other trademarks and trade names may be used in this document to refer to either the entities claiming the marks and names or their products. Dell Computer Corporation disclaims any proprietary interest in trademarks and trade names other than its own.

October 1999 P/N 4939T Rev. A01



Safety Instructions

Use the following safety guidelines to ensure your own personal safety and to help protect your computer or storage system from potential damage.

Notes, Notices, Cautions, and Warnings

Throughout this guide, blocks of text may be accompanied by an icon and printed in bold type or in italic type. These blocks are notes, notices, cautions, and warnings, and they are used as follows:



NOTE: A NOTE indicates important information that helps you make better use of your computer system.

NOTICE: A NOTICE indicates either potential damage to hardware or loss of data and tells you how to avoid the problem.



CAUTION: A CAUTION indicates a potentially hazardous situation which, if not avoided, may result in minor or moderate injury.



WARNING: A WARNING indicates a potentially hazardous situation which, if not avoided, could result in death or serious bodily injury.



Safety Caution and Warnings

Observe the following caution and warnings while servicing this system:

CAUTION: There is a danger of a new battery exploding if it is incorrectly installed. Replace the battery only with the same or equivalent type recommended by the manufacturer. Discard used batteries according to the manufacturer's instructions.

WARNING: The power supplies in your computer or storage system may produce high voltages and energy hazards, which can cause bodily harm. Only trained service technicians are authorized to remove the computer covers and access any of the components inside the computer. This warning applies to Dell PowerEdge 4xxx or higher servers and Dell PowerVault 20xS storage systems.

WARNING: This system may have more than one power supply cable. To reduce the risk of electrical shock, a trained service technician must disconnect all power supply cables before servicing the system.

DŮLEŽITÉ UPOZORNĚNÍ: Tento systém může mít více napájecích kabelů. Ke snížení rizika úrazu elektrickým proudem je nutné, aby školený servisní technik před prováděním servisu systému odpojil všechny napájecí kabely.

ADVARSEL: Dette system kan have mere end et strømforsyningskabel. For at reducere risikoen for elektrisk stød, bør en professionel servicetekniker frakoble alle strømforsyningskabler, før systemet serviceres.

VAROITUS: Tässä järjestelmässä voi olla useampi kuin yksi virtajohto. Sähköiskuvaaran pienentämiseksi ammattitaitoisen huoltohenkilön on irrotettava kaikki virtajohtot ennen järjestelmän huoltamista.

ПРЕДУПРЕЖДЕНИЕ: Данная система может иметь несколько кабелей электропитания. Во избежание электрического удара квалифицированный техник должен отключить все кабели электропитания прежде, чем приступить к обслуживанию системы.

OSTRZEŻENIE: System ten może mieć więcej niż jeden kabel zasilania. Aby zmniejszyć ryzyko porażenia prądem, przed naprawą lub konserwacją systemu wszystkie kable zasilania powinny być odłączone przez przeszkolonego technika obsługi.

ADVARSEL! Det er mulig at dette systemet har mer enn én strømledning. Unngå fare for støt: En erfaren servicetekniker må koble fra alle strømledninger før det utføres service på systemet.

WARNING: Detta system kan ha flera nätkablar. En behörig servicetekniker måste koppla loss alla nätkablar innan service utförs för att minska risken för elektriska stötar.



Additional Safety Precautions

To reduce the risk of bodily injury, electrical shock, fire, and damage to the equipment, observe the following precautions.

General Precautions

Observe the following general precautions for using and working with your system:

- Observe and follow service markings. Do not service any Dell product except as explained in your Dell system documentation. Opening or removing covers that are marked with the triangular symbol with a lightning bolt may expose you to electrical shock. Components inside these compartments should be serviced only by a Dell authorized service technician.

- If any of the following conditions occur, unplug the product from the electrical outlet and replace the part or contact your Dell authorized service provider:
 - The power cable, extension cord, or plug is damaged.
 - An object has fallen into the product.
 - The product has been exposed to water.
 - The product has been dropped or damaged.
 - The product does not operate correctly when you follow the operating instructions.
- Keep your system components away from radiators and heat sources. Also, do not block cooling vents.
- Do not spill food or liquids on your system components, and never operate the product in a wet environment. If the computer gets wet, see the appropriate chapter in your troubleshooting guide or contact a Dell-authorized service provider.
- Do not push any objects into the openings of your system components. Doing so can cause fire or electric shock by shorting out interior components.
- Use the product only with Dell products or other Dell-approved equipment.
- Allow the product to cool before removing covers or touching internal components.
- Use the correct external power source. Operate the product only from the type of power source indicated on the electrical ratings label. If you are not sure of the type of power source required, consult your Dell service provider or local power company.
- To help avoid damaging your system components, be sure the voltage selection switch (if provided) on the power supply is set to match the power available at your location:
 - 115 volts (V)/60 hertz (Hz) in most of North and South America and some Far Eastern countries such as South Korea and Taiwan
 - 100 V/50 Hz in eastern Japan and 100 V/60 Hz in western Japan
 - 230 V/50 Hz in most of Europe, the Middle East, and the Far East

Also be sure that your monitor and attached devices are electrically rated to operate with the power available in your location.

- Use only approved power cable(s). If you have not been provided with a power cable for your computer or storage system or for any AC-powered option intended for your system, purchase a power cable that is approved for use in your country. The power cable must be rated for the product and for the voltage and current marked on the product's electrical ratings label. The voltage and current rating of the cable should be greater than the ratings marked on the product.
- To help prevent electric shock, plug the system components and peripheral power cables into properly grounded electrical outlets. These cables are equipped with three-prong plugs to help ensure proper grounding. Do not use

adapter plugs or remove the grounding prong from a cable. If you must use an extension cord, use a three-wire cord with properly grounded plugs.

- Observe extension cord and power strip ratings. Make sure that the total ampere rating of all products plugged into the extension cord or power strip does not exceed 80 percent of the extension cord or power strip ampere ratings limit.
- Do not use appliance/voltage converters or kits sold for appliances with your Dell product.
- To help protect your system components from sudden, transient increases and decreases in electrical power, use a surge suppressor, line conditioner, or uninterruptible power supply (UPS).
- Position cables and power cords carefully; route cables and the power cord and plug so that they cannot be stepped on or tripped over. Be sure that nothing rests on your system components' cables or power cord.
- Do not modify power cables or plugs. Consult a licensed electrician or your power company for site modifications. Always follow your local/national wiring rules.
- To help avoid possible damage to the system board, wait 5 seconds after turning off the system before removing a component from the system board or disconnecting a peripheral device from the computer.
- Handle batteries carefully. Do not disassemble, crush, puncture, short external contacts, dispose of in fire or water, or expose batteries to temperatures higher than 60 degrees Celsius (140 degrees Fahrenheit). Do not attempt to open or service batteries; replace batteries only with batteries designated for the product.
- Turn down the volume before using headphones or other audio devices.

Precautions for Server and Storage Systems

Observe the following additional safety guidelines for your system:

- Unless your installation and/or troubleshooting documentation specifically allows it, do not remove enclosure covers, attempt to override the safety interlocks, or access any components inside the system. Depending on your system, installation and repairs may be done only by individuals who are qualified to service your computer or storage system equipment and trained to deal with products capable of producing hazardous energy levels.
- When connecting or disconnecting power to hot-pluggable power supplies, if offered with your Dell product, observe the following guidelines:
 - Install the power supply before connecting the power cable to the power supply.
 - Unplug the power cable before removing the power supply.
 - If the system has multiple sources of power, disconnect power from the system by unplugging *all* power cables from the power supplies.
- Move products with care; ensure that all casters and/or stabilizers are firmly connected to the computer or storage system. Avoid sudden stops and uneven surfaces.

Precautions for Rack-Mountable Products

Observe the following precautions for rack stability and safety. Also refer to the rack installation documentation accompanying the system and the rack for specific warning and/or caution statements and procedures.



WARNING: Installing Dell system components in a Dell rack without the front and side stabilizers installed could cause the rack to tip over, potentially resulting in bodily injury under certain circumstances. Therefore, always install the stabilizers before installing components in the rack.

After installing system components in a rack, never pull more than one component out of the rack on its slide assemblies at one time. The weight of more than one extended component could cause the rack to tip over and injure someone.



NOTE: Dell's server and storage systems are certified as components for use in Dell's rack cabinet using the Dell customer rack kit. The final installation of Dell systems and rack kits in any other brand of rack cabinet has not been approved by any safety agencies. It is the customer's responsibility to have the final combination of Dell systems and rack kits for use in other brands of rack cabinets evaluated for suitability by a certified safety agency.

- System rack kits are intended to be installed in a Dell rack by trained service technicians. If you install the kit in any other rack, be sure that the rack meets the specifications of a Dell rack.
- Do not move large racks by yourself. Due to the height and weight of the rack, Dell recommends a minimum of two people to accomplish this task.
- Before working on the rack, make sure that the stabilizers are secure to the rack, extend to the floor, and that the full weight of the rack rests on the floor. Install front and side stabilizers on a single rack or front stabilizers for joined multiple racks before working on the rack.
- Always load the rack from the bottom up, and load the heaviest item in the rack first.
- Make sure that the rack is level and stable before extending a component from the rack.
- Extend only one component at a time from the rack.
- Use caution when pressing the component rail release latches and sliding a component into or out of a rack; the slide rails can pinch your fingers.
- After a component is inserted into the rack, carefully extend the rail into a locking position, and then slide the component into the rack.
- Do not overload the AC supply branch circuit that provides power to the rack. The total rack load should not exceed 80 percent of the branch circuit rating.
- Ensure that proper airflow is provided to components in the rack.
- Do not step on or stand on any system/component when servicing other systems/components in a rack.

Precautions for Products With Modems, Telecommunications, or Local Area Network Options

Observe the following guidelines when working with options:

- Do not connect or use a modem or telephone during a lightning storm. There may be a risk of electrical shock from lightning.
- Never connect or use a modem or telephone in a wet environment.
- Do not plug a modem or telephone cable into the network interface controller (NIC) receptacle.
- Disconnect the modem cable before opening a product enclosure, touching or installing internal components, or touching an uninsulated modem cable or jack.
- Do not use a telephone line to report a gas leak while you are in the vicinity of the leak.

Precautions for Products With Laser Devices

Observe the following precautions for laser devices:

- Do not open any panels, operate controls, make adjustments, or perform procedures on a laser device other than those specified in the product's documentation.
- Only authorized service technicians should repair laser devices.

When Working Inside Your Computer

Before you remove the computer covers, perform the following steps in the sequence indicated.

NOTICE: Some Dell systems can be serviced only by trained service technicians because of high voltages and energy hazards. Do not attempt to service the computer system yourself, except as explained in this guide and elsewhere in Dell documentation. Always follow installation and service instructions closely.

NOTICE: To help avoid possible damage to the system board, wait 5 seconds after turning off the system before removing a component from the system board or disconnecting a peripheral device from the computer.

1. Turn off your computer and any devices.
2. Ground yourself by touching an unpainted metal surface on the chassis, such as the metal around the card-slot openings at the back of the computer, before touching anything inside your computer.

While you work, periodically touch an unpainted metal surface on the computer chassis to dissipate any static electricity that might harm internal components.

3. Disconnect your computer and devices from their power sources. Also, disconnect any telephone or telecommunication lines from the computer.

Doing so reduces the potential for personal injury or shock.

In addition, take note of these safety guidelines when appropriate:

- When you disconnect a cable, pull on its connector or on its strain-relief loop, not on the cable itself. Some cables have a connector with locking tabs; if you are disconnecting this type of cable, press in on the locking tabs before disconnecting the cable. As you pull connectors apart, keep them evenly aligned to avoid bending any connector pins. Also, before you connect a cable, make sure that both connectors are correctly oriented and aligned.
- Handle components and cards with care. Don't touch the components or contacts on a card. Hold a card by its edges or by its metal mounting bracket. Hold a component such as a microprocessor chip by its edges, not by its pins.



CAUTION: There is a danger of a new battery exploding if it is incorrectly installed. Replace the battery only with the same or equivalent type recommended by the manufacturer. Discard used batteries according to the manufacturer's instructions.

Protecting Against Electrostatic Discharge

Static electricity can harm delicate components inside your computer. To prevent static damage, discharge static electricity from your body before you touch any of your computer's electronic components, such as the microprocessor. You can do so by touching an unpainted metal surface on the computer chassis.

As you continue to work inside the computer, periodically touch an unpainted metal surface to remove any static charge your body may have accumulated.

You can also take the following steps to prevent damage from electrostatic discharge (ESD):

- When unpacking a static-sensitive component from its shipping carton, do not remove the component from the antistatic packing material until you are ready to install the component in your computer. Just before unwrapping the antistatic packaging, be sure to discharge static electricity from your body.
- When transporting a sensitive component, first place it in an antistatic container or packaging.
- Handle all sensitive components in a static-safe area. If possible, use antistatic floor pads and workbench pads.

The following notice may appear throughout this document to remind you of these precautions:

NOTICE: See "Protecting Against Electrostatic Discharge" in the safety instructions at the front of this guide.

Ergonomic Computing Habits



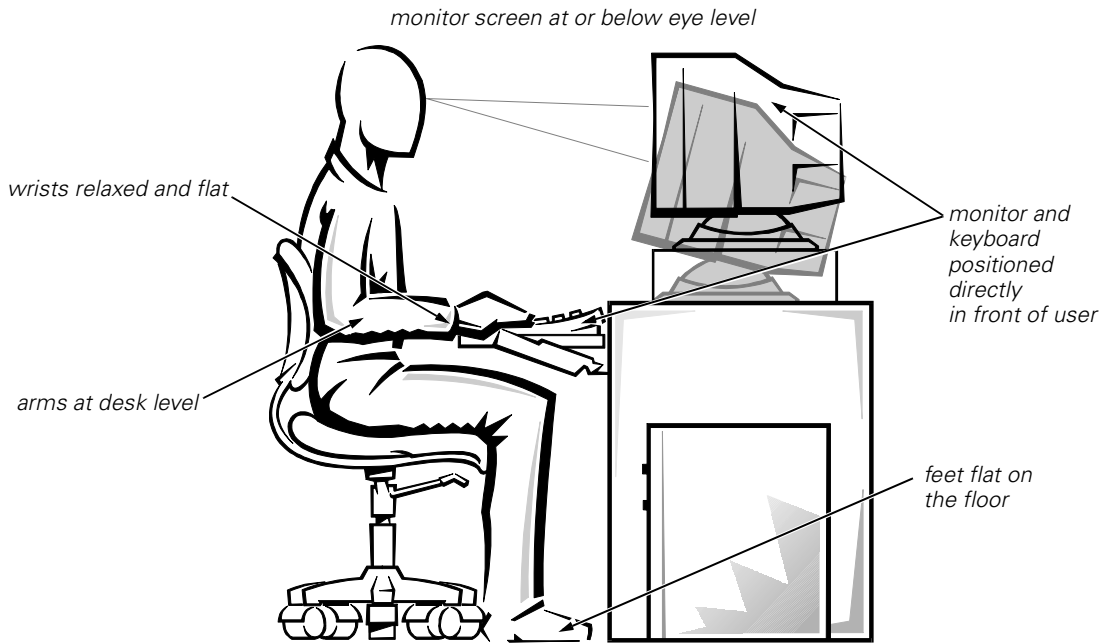
CAUTION: Improper or prolonged keyboard use may result in injury.



CAUTION: Viewing the monitor screen for extended periods of time may result in eye strain.

For comfort and efficiency, observe the following ergonomic guidelines when you set up and use your computer system:

- Position your system so that the monitor and keyboard are directly in front of you as you work. Special shelves are available (from Dell and other sources) to help you correctly position your keyboard.
- Set the monitor at a comfortable viewing distance (usually 510 to 610 millimeters [20 to 24 inches] from your eyes).
- Make sure that the monitor screen is at eye level or slightly lower when you sit in front of the monitor.
- Adjust the tilt of the monitor, its contrast and brightness settings, and the lighting around you (such as overhead lights, desk lamps, and the curtains or blinds on nearby windows) to minimize reflections and glare on the monitor screen.
- Use a chair that provides good lower back support.
- Keep your forearms horizontal with your wrists in a neutral, comfortable position while you use the keyboard or mouse.
- Always leave space to rest your hands while you use the keyboard or mouse.
- Let your upper arms hang naturally at your sides.
- Sit erect, with your feet resting on the floor and your thighs level.
- When sitting, make sure the weight of your legs is on your feet and not on the front of your chair seat. Adjust your chair's height or use a footrest, if necessary, to maintain proper posture.
- Vary your work activities. Try to organize your work so that you do not have to type for extended periods of time. When you stop typing, try to do things that use both hands.





Contents

Before You Begin	1-1
Recommended Tools	1-1
Installing the Switch	1-2
Removing the Doors From the Rack	1-3
Adjusting the Bezel Position.	1-4
Installing the Slide Assembly	1-5
Installing the Switch in the Rack	1-7
Installing the Cable-Management Arm.	1-8
Replacing the Doors on the Rack.	1-9

Figures

Figure 1-1. Rack Kit Contents	1-2
Figure 1-2. Opening the Latch on the Door	1-3
Figure 1-3. Removing the Rack Doors	1-4
Figure 1-4. Adjusting the Bezel Position	1-5
Figure 1-5. Installing the Slide Assembly in the Rack	1-6
Figure 1-6. Installing the Switch in the Rack	1-7
Figure 1-7. Installing the Cable-Management Arm	1-8



Dell™ PowerVault™ 51F 8-Port Fibre Channel Switch Rack Installation Guide

This document provides instructions for trained service technicians installing one or more Dell PowerVault 51F Fibre Channel switches in a Dell rack. The switch rack-mounting hardware includes the following items (see Figure 1-1):

- One switch assembly, consisting of a manifold with an attached bezel, two inner-slide rails, and the switch
- One slide assembly, consisting of two outer slides, each with a stationary and an adjustable bracket, and two intermediate slides
- One cable-management arm
- Eight 10-32 x 1/2-inch screws
- Eight tapered washers

The following sections describe the tasks required to install the PowerVault 51F switch in a Dell rack.

Before You Begin

Before you install your PowerVault 51F switch in the rack, read the safety information at the front of this guide and the tool requirement in the following subsection.

Recommended Tools

To install the PowerVault 51F switch, use a #2 Phillips-head screwdriver and a flathead screwdriver.

Installing the Switch

To install the switch in the rack, perform the following tasks. The subsections that follow include instructions for performing these tasks.

1. Remove the doors from the rack, if necessary.
2. Install the slide assembly.
3. Install the switch assembly.
4. Install the cable-management arm and route the cables.
5. Replace the rack doors if you removed them.

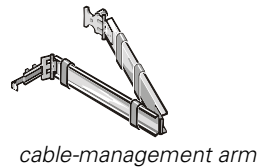
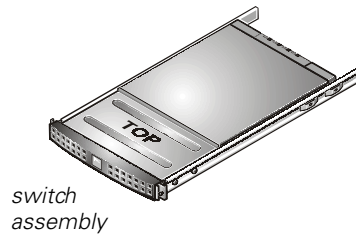
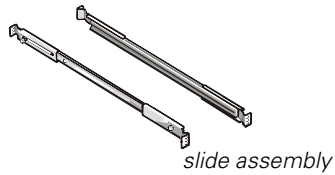


Figure 1-1. Rack Kit Contents

Removing the Doors From the Rack

You may remove the front and back doors from the rack to provide access to the interior of the rack and to prevent damage to the doors while installing the kit. Use the following procedure to remove the doors.



CAUTION: To prevent personal injury due to the size and weight of the doors, never attempt to remove the doors by yourself.

1. Open the latch on the front door (see Figure 1-2).

Slide the latch's push-button cover up as far as it will go, press the push button, rotate the handle clockwise until the latch releases, and then pull the door open.

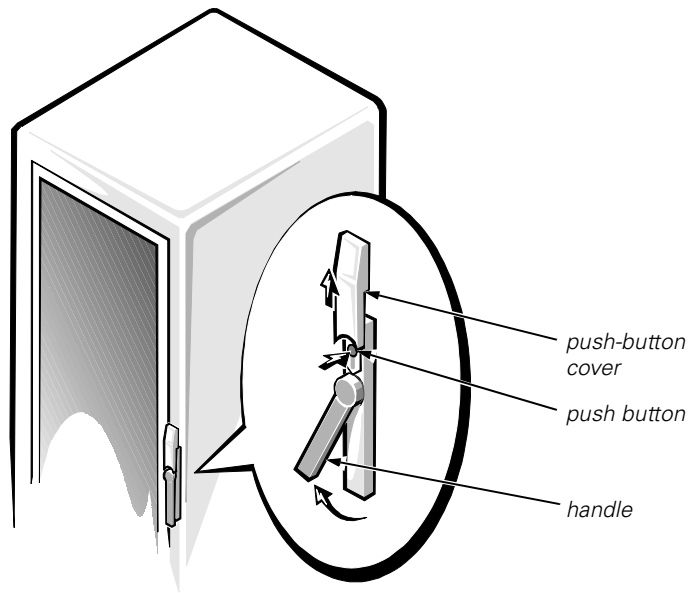


Figure 1-2. Opening the Latch on the Door

2. Remove the front door (see Figure 1-3):
 - a. One person should grasp the top of the door to stabilize it. The other person should grasp the bottom of the door.
 - b. The person holding the bottom of the door should press the hinge release lever on the bottom hinge and then pull the bottom of the door away from the rack a few inches.
 - c. The person holding the top of the door should press the hinge release lever on the top hinge and then pull the door away from the rack.
3. Repeat steps 1 and 2 to remove the back door from the rack.

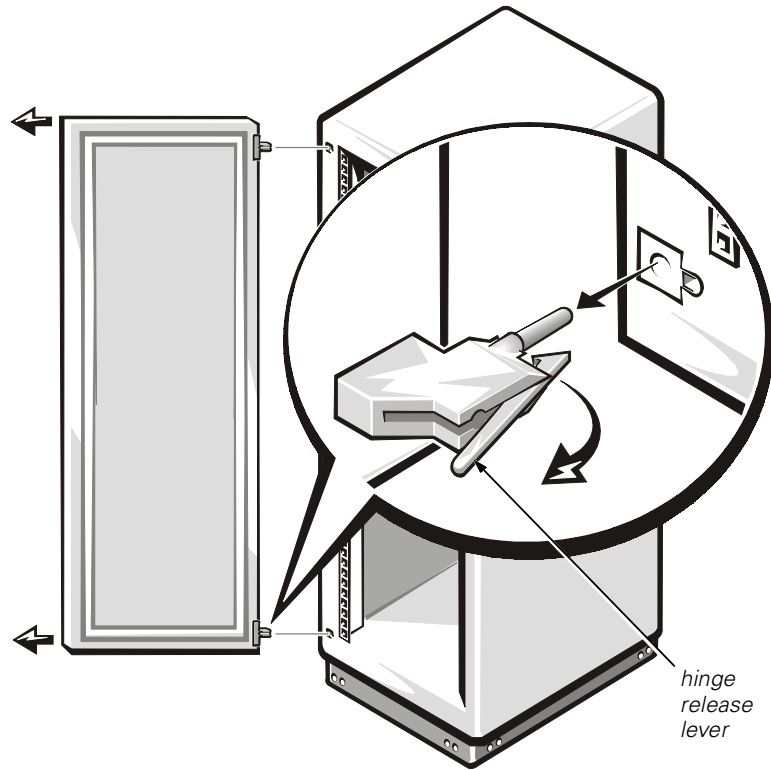


Figure 1-3. Removing the Rack Doors

Store the two doors in an area where they will not fall over while you install the switch.

Adjusting the Bezel Position

If you are installing the switch in a non-Dell rack, you may need to adjust the bezel position to allow the rack doors to close properly. To adjust the bezel position, perform the following steps (see Figure 1-4):

1. Remove the two 6-32 x 1/2-inch flathead screws and the mounting clip from one side of the bezel.
2. Adjust the bezel tab so that the front holes are aligned with the mounting holes on the manifold.
3. Replace the mounting clip and screws.
4. Repeat steps 1 through 3 on the other side of the bezel.

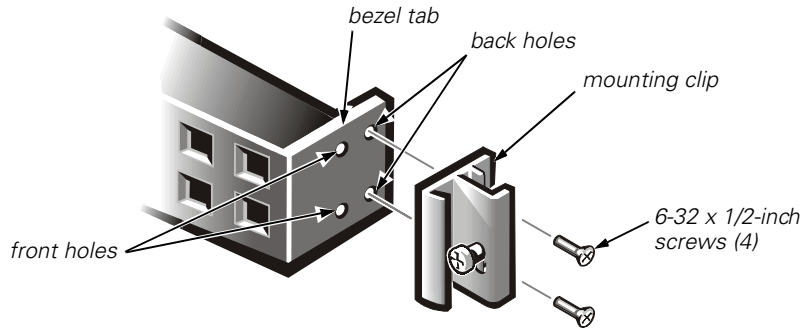


Figure 1-4. Adjusting the Bezel Position

Installing the Slide Assembly

To install the slide assembly in the rack, perform the following steps:

1. Align the holes of the stationary and adjustable brackets with the holes in the vertical rail.

The stationary brackets attach to the front of the rack. The adjustable brackets attach to the back. The top hole of each bracket must align with top hole of an Electronic Industries Association (EIA) unit in the rack. The top hole of an EIA unit has a dot next to it (see Figure 1-5).



NOTE: The slides must be installed within 1 EIA unit. The height of the switch takes up 1 EIA unit.

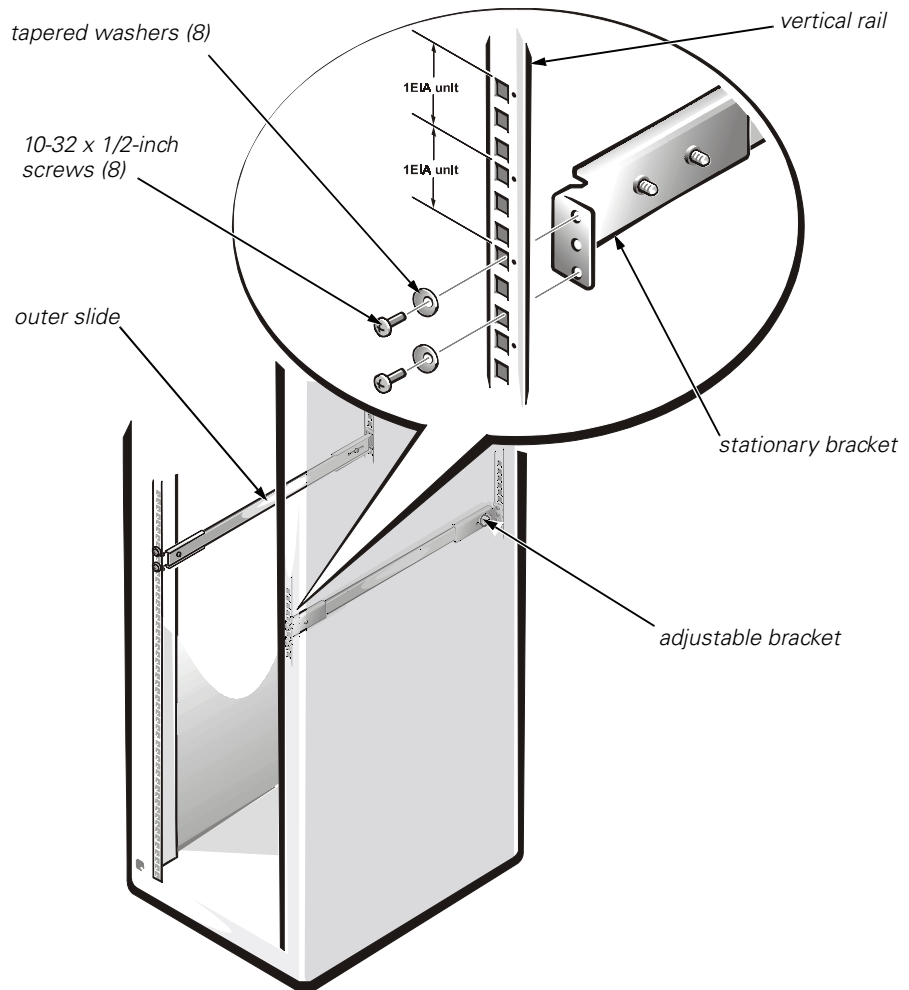


Figure 1-5. Installing the Slide Assembly in the Rack

2. Use four 10-32 x 1/2-inch screws and four tapered washers to install each outer slide in the rack, as shown in Figure 1-5.

The screws are threaded through the washers, the rail, and into the top and bottom holes of the brackets, leaving the middle bracket holes open.

3. Fully tighten the screws and then back them out about two turns.

Leaving the slide assembly loose makes it easier to align the intermediate slides and the inner-slide rails.

Installing the Switch in the Rack

To install the switch in the rack, perform the following steps:

1. Extend both intermediate slides forward until they lock in the extended position.
2. At the front of the rack, carefully align the switch's inner-slide rails with the intermediate slides.

Slide the inner-slide rails into the intermediate slides, as shown in Figure 1-6. Press the green button on the outside of each intermediate slide so that the switch slides to the middle position. Press the green button again so that the switch slides to its final position and locks in place.

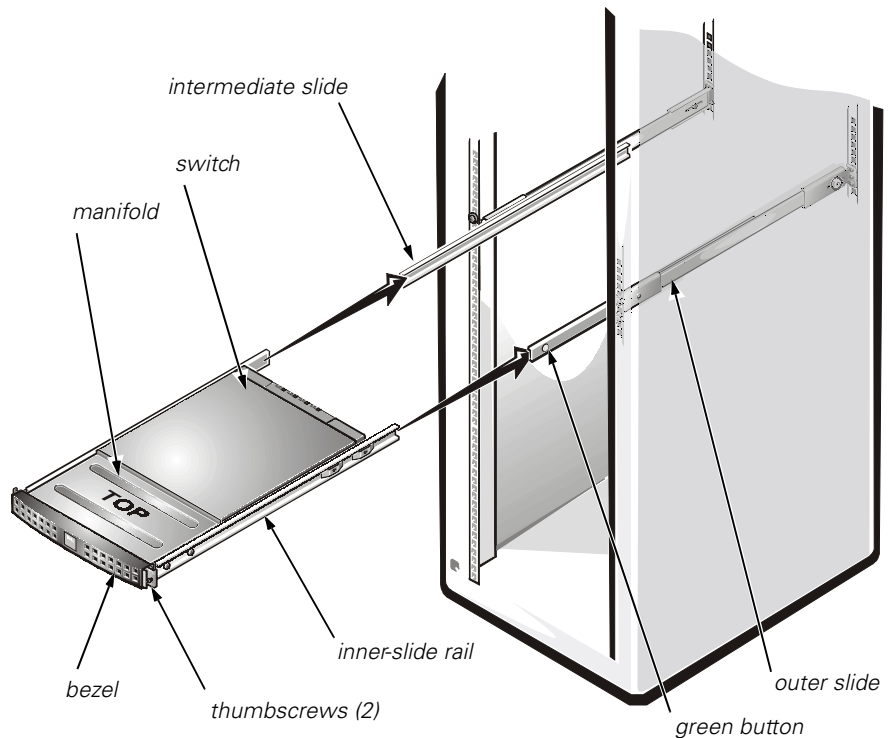


Figure 1-6. Installing the Switch in the Rack

3. Make sure that there is no gap between the manifold and switch.
4. Tighten the eight 10-32 x 1/2-inch screws that attach the outer slides to the rack.
5. Tighten the two thumbscrews on the bezel to keep the switch and slide assembly from sliding out of the rack.

The thumbscrews pass through the holes in the rack and into the middle holes of the stationary brackets.

Installing the Cable-Management Arm

1. From the back of the rack, pull the switch out about 7 centimeters (cm) (about 3 inches).

The switch should lock in place.

2. Attach the end of the cable-management arm to the inner-slide rail by inserting the two tabs into the two slots until the retaining clip snaps into place (see Figure 1-7).

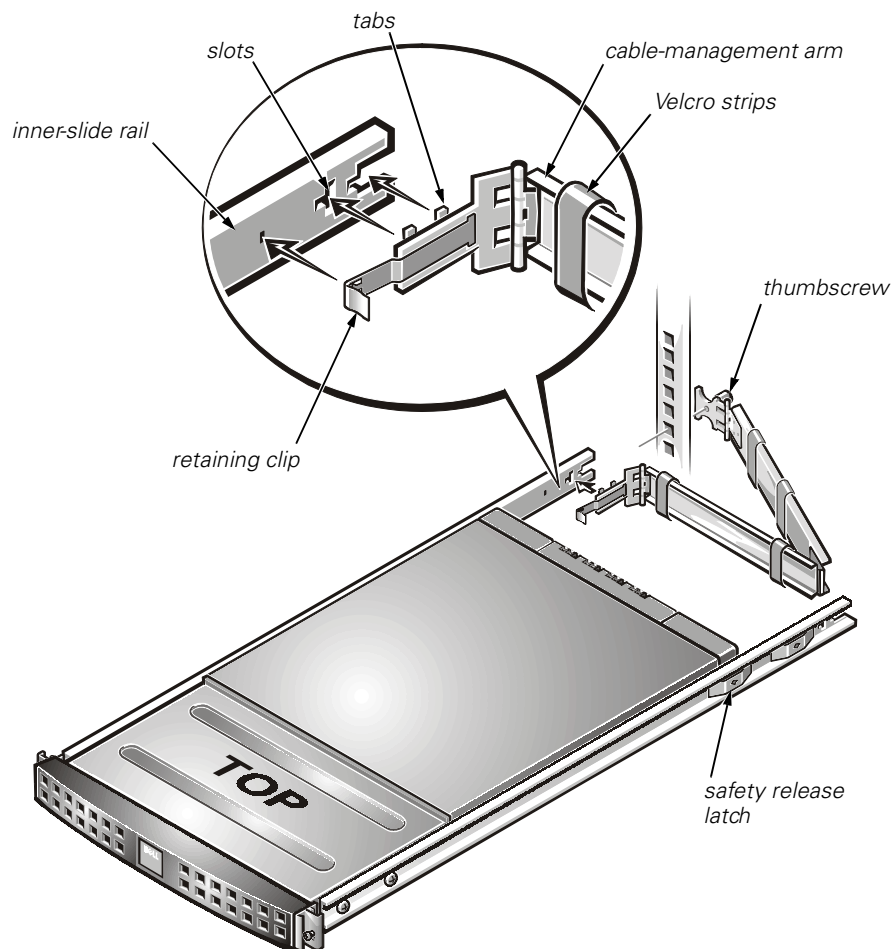


Figure 1-7. Installing the Cable-Management Arm

3. Route the cables along the cable-management arm and secure the cables to the cable-management arm with the Velcro straps attached to the cable-management arm.

Make sure that the cables are not pinched in the cable-management arm joints.

For details on connecting the cables to the computer, see the *Installation and Troubleshooting Guide*.

4. Press the safety release latches on the inner-slide rails and slide the switch into the rack until it snaps into place.

Be sure that the surfaces of the manifold and the switch are flush.

5. Tighten the thumbscrew on the cable-management arm.

The thumbscrew passes through the hole in the rack and into the middle hole of the adjustable bracket.

Replacing the Doors on the Rack

To replace the rack's front and back doors, perform the following steps.



CAUTION: To prevent personal injury due to the size and weight of the doors, never attempt to replace the doors by yourself.

1. Lift the front door into position, and align the hinges with the holes in the rack (see Figure 1-3).
2. Slide the hinges into the holes in the rack until the hinge release levers lock the hinges into position.
3. Close the door latch by rotating the handle counterclockwise until it stops, push the handle in until it locks in position, and then slide the push-button cover down over the push button (see Figure 1-2).

Repeat steps 1 through 3 to install the back door.



Dell™ PowerVault™ 51F
Commutateur Fibre Channel à 8 ports

**GUIDE D'INSTALLATION
EN RACK**

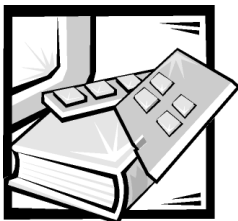
**Les informations de ce document sont sujettes à modification sans préavis.
© 1999 Dell Computer Corporation. Tous droits réservés.**

La reproduction de quelque manière que ce soit sans l'autorisation écrite de Dell Computer Corporation est strictement interdite.

Marques utilisées dans ce texte : *Dell*, le logo *DELL*, *PowerVault* et *PowerEdge* sont des marques de Dell Computer Corporation.

D'autres marques et noms commerciaux peuvent être utilisés dans ce document pour faire référence aux entités se réclamant de ces marques et de ces noms ou à leurs produits. Dell Computer Corporation dénie tout intérêt propriétaire vis-à-vis des marques et des noms commerciaux autres que les siens.

Octobre 1999 P/N 4939T Rév. A01



Consignes de sécurité

Observez les consignes de sécurité suivantes afin d'assurer votre sécurité personnelle et de protéger votre système informatique contre des dommages éventuels.

Remarques, Avis, Précautions et Avertissements

Dans ce guide, des blocs de texte peuvent être accompagnés d'une icône et imprimés en caractères gras ou en italique. Ces blocs sont des remarques, des avis, des précautions et des avertissements qui sont utilisés comme suit :



REMARQUE : Une REMARQUE indique des informations importantes qui vous aident à utiliser votre ordinateur au mieux.

AVIS : Un AVIS signale la possibilité de dommage du matériel ou de perte de données et vous indique comment éviter le problème.



PRÉCAUTION : Une PRÉCAUTION signale une situation potentiellement dangereuse qui, si elle n'est pas évitée, pourrait entraîner des blessures mineures ou modérées.



AVERTISSEMENT : Un AVERTISSEMENT signale une situation potentiellement dangereuse qui, si elle n'est pas évitée, pourrait entraîner des blessures graves ou la mort.



Précautions et avertissements de sécurité

Observez les précautions et avertissements suivants lorsque vous entretenez votre système :

PRÉCAUTION : Une nouvelle pile risque d'exploser si elle est mal installée. Remplacez la pile uniquement par le même type ou type équivalent conseillé par le fabricant. Débarrassez-vous des piles usées selon les instructions du fabricant.

AVERTISSEMENT : Les blocs d'alimentation dans votre ordinateur ou votre système de stockage peuvent produire des hautes tensions et générer des risques électriques, pouvant provoquer des blessures. Seuls les techniciens

de service qualifiés sont autorisés à retirer les capots de l'ordinateur et à accéder aux composants se trouvant à l'intérieur. Cet avertissement s'applique aux serveurs Dell PowerEdge 4xxx ou plus récents et aux systèmes de stockage Dell PowerVault 20xS.

AVERTISSEMENT : Ce système peut être muni de plusieurs câbles d'alimentation. Afin de réduire le risque de choc électrique, un technicien de service agréé doit déconnecter tous les câbles d'alimentation avant de réviser ce système.

DŮLEŽITÉ UPOZORNĚNÍ: Tento systém může mít více napájecích kabelů. Ke snížení rizika úrazu elektrickým proudem je nutné, aby školený servisní technik před prováděním servisu systému odpojil všechny napájecí kabely.

ADVARSEL: Dette system kan have mere end et strømforstyrningskabel. For at reducere risikoen for elektrisk stød, bør en professionel servicetekniker frakoble alle strømforstyrningskabler, før systemet serviceres.

VAROITUS: Tässä järjestelmässä voi olla useampi kuin yksi virtajohto. Sähköiskuvaaran pienentämiseksi ammattitaitoisen huoltohenkilön on irrotettava kaikki virtajohtot ennen järjestelmän huoltamista.

ПРЕДУПРЕЖДЕНИЕ: Данная система может иметь несколько кабелей электропитания. Во избежание электрического удара квалифицированный техник должен отключить все кабели электропитания прежде, чем приступить к обслуживанию системы.

OSTRZEŻENIE: System ten może mieć więcej niż jeden kabel zasilania. Aby zmniejszyć ryzyko porażenia prądem, przed naprawą lub konserwacją systemu wszystkie kable zasilania powinny być odłączone przez przeszkolonego technika obsługi.

ADVARSEL! Det er mulig at dette systemet har mer enn én strømledning. Unngå fare for støt: En erfaren servicetekniker må koble fra alle strømledninger før det utføres service på systemet.

WARNING: Detta system kan ha flera nätkablar. En behörig servicetekniker måste koppla loss alla nätkablar innan service utförs för att minska risken för elektriska stötar.



Consignes de sécurité supplémentaires

Pour réduire les risques de blessures, d'électrocution, d'incendie et de dommage de l'équipement, observez les précautions suivantes.

Précautions d'ordre général

Observez les précautions d'ordre général suivantes lorsque vous utilisez votre système :

- Observez et respectez les consignes d'entretien. Ne révisiez pas un produit Dell sauf si c'est indiqué dans la documentation de votre système Dell. Si vous ouvrez ou retirez des capots dotés d'un symbole triangulaire avec un éclair, vous risquez d'être soumis(e) à des chocs électriques. Les composants à l'intérieur de ces compartiments ne doivent être révisés que par un technicien de service Dell agréé.
- Si l'une des conditions suivantes se produit, débranchez le produit de la prise électrique et remplacez la pièce ou contactez votre fournisseur de services agréé Dell :
 - Le câble d'alimentation, le cordon d'extension ou la prise est endommagé.
 - Un objet est tombé dans le produit.
 - Le produit a été exposé à l'eau.
 - Le produit est tombé ou endommagé.
 - Le produit ne fonctionne pas correctement lorsque vous suivez les instructions d'utilisation.
- Conservez les composants du système loin des radiateurs et autres sources de chaleur. Ne bloquez pas les baies d'aération.
- Ne renversez pas de liquides ou d'aliments sur les composants du système et n'utilisez pas ce produit dans un environnement mouillé. Si l'ordinateur est mouillé, lisez le chapitre approprié dans votre guide de dépannage ou contactez un fournisseur de services agréé Dell.
- N'enfoncez aucun objet dans les ouvertures de vos composants du système. Ceci peut créer un incendie ou des chocs électriques en mettant des composants internes en court-circuit.
- N'utilisez le produit qu'avec des produits Dell ou un autre équipement approuvé par Dell.
- Laissez le produit refroidir avant de retirer les capots ou avant de toucher des composants internes.
- Utilisez la source d'alimentation électrique externe correcte. Ne faites fonctionner le produit qu'à partir de la source d'alimentation électrique de type indiqué sur l'étiquette affichant les valeurs nominales électriques. Si vous n'êtes pas certain(e) du type de source d'alimentation électrique requis, consultez votre fournisseur de services Dell ou votre compagnie électrique locale.

- Pour éviter d'endommager vos composants du système, assurez-vous que le commutateur de tension (s'il y en a) sur le bloc d'alimentation corresponde bien au courant de votre région :
 - 115 volts (V)/60 hertz (Hz) dans la plupart des pays d'Amérique du Nord et du Sud, et dans certains pays d'Extrême-Orient comme la Corée du Sud et Taiwan
 - 100 V/50 Hz dans l'est du Japon et 100 V/60 Hz dans l'ouest du Japon
 - 230 V/50 Hz dans presque toute l'Europe, au Moyen-Orient et en Extrême-Orient

Assurez-vous également que le moniteur et les périphériques connectés utilisent la bonne tension électrique.

- N'utilisez que des câbles d'alimentation approuvés. Si un câble d'alimentation n'est pas fourni pour votre ordinateur ou système de stockage ou pour toute option alimentée par courant CA destinée à votre système, procurez-vous un câble d'alimentation approuvé pour votre pays. Le câble d'alimentation doit être compatible avec le produit et avec les valeurs de tension et de courant marquées sur l'étiquette de valeur électrique du produit. La valeur nominale de la tension et du courant du câble doit être supérieure à la valeur nominale indiquée sur le produit.
- Pour prévenir les chocs électriques, branchez les composants du système et les câbles d'alimentation périphérique dans des prises avec mise à la terre correcte. Ces câbles sont équipés de prises à trois broches pour assurer une mise à la terre correcte. N'utilisez pas de prises d'adaptation et n'essayez pas de retirer la fiche de mise à la terre d'un câble. Si vous devez utiliser un câble d'extension, utilisez un câble à trois fils dont la prise est mise à la terre correctement.
- Respectez les classifications des câbles d'extension et de la barrette d'alimentation. Vérifiez que la tension nominale totale de tous les produits branchés au câble d'extension ou à la barrette d'alimentation n'est pas supérieure à 80 pour-cent de la limite de tension nominale du câble d'extension ou de la barrette d'alimentation.
- N'utilisez pas de convertisseurs de tension/appareil ou de kits vendus pour des appareils électriques avec votre produit Dell.
- Afin de protéger les composants de votre système informatique des augmentations et diminutions soudaines et passagères de courant, utilisez un régulateur de tension, un onduleur ou une UPS (Uninterruptible Power Supply [source de courant sans interruption]).
- Placez les câbles système et les câbles d'alimentation avec soin ; acheminez les câbles système ainsi que le câble et la prise d'alimentation hors des axes de passage. Vérifiez que rien ne repose sur les câbles des composants ou le câble d'alimentation de votre système.
- Ne modifiez pas les câbles ou les prises d'alimentation. Consultez un électricien diplômé ou votre compagnie d'électricité pour toute modification de site. Suivez toujours les règles de câblage locales et nationales.

- Pour éviter d'endommager la carte système, attendez 5 secondes après avoir arrêté le système avant de retirer un composant de la carte système ou de déconnecter un périphérique de l'ordinateur.
- Manipulez les piles avec précaution. Ne démontez pas, n'écrasez pas, ne percez pas, ne mettez pas en court-circuit des contacts externes, ne les jetez pas au feu ou à l'eau, et n'exposez pas les piles à des températures supérieures à 60 degrés Celsius (140 degrés Fahrenheit). N'essayez pas d'ouvrir ou de réparer des piles ; ne remplacez les piles que par d'autres conçues pour le produit.
- Baissez le volume avant d'utiliser des écouteurs ou d'autres périphériques audio.

Précautions pour les serveurs et les systèmes de stockage

Suivez les consignes de sécurité supplémentaires pour votre système :

- À moins que votre documentation d'installation et/ou de dépannage le permette spécifiquement, ne retirez pas les capots, n'essayez pas de forcer les verrous de sécurité et n'accédez à aucun composant à l'intérieur du système. Selon votre système, l'installation et les réparations peuvent être réalisées uniquement par des personnes agréées pour entretenir l'équipement de votre ordinateur ou système de stockage et formées pour manipuler des produits capables de produire des niveaux d'énergie dangereux.
- Lors de la connexion ou déconnexion du courant aux blocs d'alimentation enfilables à chaud (si cette option est offerte avec votre produit Dell), observez les consignes suivantes :
 - Installez le bloc d'alimentation avant de connecter le câble d'alimentation au bloc d'alimentation.
 - Débranchez le câble d'alimentation avant de retirer le bloc d'alimentation.
 - Si le système possède plusieurs sources d'alimentation, coupez le courant du système en débranchant *tous* les câbles d'alimentation des blocs d'alimentation.
- Déplacez les produits avec soin ; assurez-vous que toutes les roulettes et/ou tous les éléments de stabilisation sont fermement connectés à l'ordinateur ou au système de stockage. Évitez des arrêts brusques et des surfaces non planes.

Précautions pour les produits montables en rack

Observez les précautions suivantes pour la stabilité et la sécurité du rack. Consultez également la documentation d'installation du rack jointe avec le système et le rack pour y lire des avertissements spécifiques et/ou des précautions et procédures spéciales.



AVERTISSEMENT : L'installation de composants système de Dell dans un rack Dell sans les pieds stabilisateurs avant et latéraux peut faire basculer le rack, ce qui peut occasionner des blessures dans certains cas. Installez donc toujours les pieds stabilisateurs avant d'installer les composants dans le rack.

Après avoir installé les composants du système dans un rack, ne retirez jamais plus d'un composant du rack des montages à glissière en même temps. Le poids de plus d'un composant étendu pourrait faire basculer le rack et causer des blessures.



REMARQUE : Les serveurs et systèmes de stockage Dell sont certifiés comme des composants à utiliser dans le boîtier de rack Dell avec le kit pour rack client Dell. L'installation finale des kits pour rack et des systèmes de Dell dans toute autre marque de boîtier de rack n'a pas été approuvée par les agences de sécurité. La responsabilité est au client de faire évaluer par une agence de sécurité certifiée le mélange final de systèmes et de kits pour rack Dell pour établir si un usage dans des boîtiers de rack d'autres marques est indiqué.

- Les kits de rack du système sont conçus pour une installation dans un rack Dell par des techniciens de service agréés. Si vous installez le kit dans tout autre rack, assurez-vous que ce rack est conforme aux spécifications d'un rack Dell.
- Ne déplacez pas de larges racks sans l'aide de quelqu'un. À cause de la hauteur et du poids du rack, Dell recommande que deux personnes au minimum accomplissent cette tâche.
- Avant de travailler sur le rack, assurez-vous que les stabilisateurs sont fixés au rack, en extension sur le sol, et que le plein poids du rack repose sur le sol. Installez les stabilisateurs avant et latéraux d'un seul rack ou les stabilisateurs avant de plusieurs racks joints avant de travailler sur le rack.
- Chargez toujours le rack du bas vers le haut, puis chargez en premier l'élément le plus lourd dans le rack.
- Assurez-vous que le rack est stable et à niveau avant de mettre un composant en extension hors du rack.
- Mettez un seul composant à la fois hors du rack.
- Faites attention lorsque vous appuyez sur les loquets de dégagement des rails de composants et que vous glissez un composant dans ou hors d'un rack ; les rails des glissières peuvent vous pincer les doigts.
- Une fois qu'un composant est inséré dans le rack, étendez le rail avec précaution pour le mettre en position de verrouillage, puis faites glisser le composant dans le rack.
- Ne surchargez pas le circuit de dérivation CA qui alimente le rack. La charge totale du rack ne doit pas dépasser 80 pour cent de la valeur nominale du circuit de dérivation.
- Assurez-vous qu'il y ait une bonne circulation d'air autour des composants du rack.
- Ne marchez pas sur un système/composant lors de la révision d'autres systèmes/composants d'un rack.

Précautions pour les produits dotés d'options de réseau local, télécommunications ou modems

Observez les consignes suivantes lorsque vous travaillez avec des options :

- Ne connectez ni n'utilisez un modem ou un téléphone lors d'un orage. Il peut y avoir un risque de choc électrique dû à la foudre.
- Ne connectez et n'utilisez jamais un modem ou téléphone dans un environnement mouillé.
- Ne branchez pas un câble de modem ou de téléphone dans la prise du NIC (Network interface controller [contrôleur d'interface réseau]).
- Déconnectez le câble du modem avant d'ouvrir l'enceinte d'un produit, de toucher ou d'installer des composants internes, ou de toucher une prise ou un câble de modem non isolé.
- N'utilisez pas une ligne de téléphone pour reporter une fuite de gaz si vous vous trouvez près de la fuite.

Précautions pour les produits dotés de périphériques laser

Observez les précautions suivantes pour les périphériques laser :

- N'ouvrez pas de panneaux, n'utilisez pas de commandes, ne faites pas de réglage et ne suivez pas des procédures sur un périphérique laser autres que celles spécifiées dans la documentation du produit.
- Seuls les techniciens de service agréés peuvent réparer des périphériques laser.

Interventions à l'intérieur de votre ordinateur

Avant d'enlever les capots d'ordinateur, effectuez les étapes suivantes dans l'ordre indiqué.

AVIS : Certains systèmes Dell ne peuvent être révisés que par des techniciens de service agréés à cause des hautes tensions et des risques électriques. Ne tentez pas d'intervenir vous-même dans le système informatique, sauf en suivant les explications dans ce guide et ailleurs dans la documentation de Dell. Suivez toujours de près les instructions d'installation et de maintenance.

AVIS : Pour éviter d'endommager la carte système, attendez 5 secondes après avoir arrêté le système avant de retirer un composant de la carte système ou de déconnecter un périphérique de l'ordinateur.

1. Éteignez votre ordinateur et ses périphériques.

2. Mettez-vous à la terre en touchant une surface métallique non peinte du châssis, comme le métal autour des ouvertures des emplacements des cartes à l'arrière de l'ordinateur, avant de toucher tout autre élément à l'intérieur de votre ordinateur.

Pendant votre travail à l'intérieur de l'ordinateur, touchez périodiquement une surface métallique non peinte sur le châssis, pour dissiper toute électricité statique qui pourrait endommager les composants internes.

3. Déconnectez votre ordinateur et vos périphériques de leur source d'alimentation. Débranchez également toutes les lignes de téléphone ou de télécommunications de l'ordinateur.

Cela réduit le risque potentiel de blessures corporelles ou de choc.

De plus, notez ces consignes de sécurité selon le besoin :

- Lorsque vous déconnectez un câble, tirez sur ses connecteur ou sur sa boucle serre-câble, pas sur le câble lui-même. Certains câbles possèdent un connecteur avec des languettes de verrouillage ; si vous déconnectez un câble de ce type, appuyez sur les languettes de verrouillage avant de déconnecter le câble. Quand vous séparez des connecteurs, conservez-les alignés de manière à éviter de tordre leurs broches. De même, quand vous connectez un câble, assurez-vous au préalable que les connecteurs sont bien orientés et alignés.
- Maniez les composants et les cartes soigneusement. Ne touchez ni les composants ni les broches de contact sur une carte. Tenez une carte par les bords ou par sa patte pour montage métallique. Tenez un composant tel une puce de microprocesseur par les bords, non pas par les broches.



PRÉCAUTION : Une nouvelle pile risque d'exploser si elle est mal installée. Remplacez la pile uniquement par le même type ou type équivalent conseillé par le fabricant. Débarrassez-vous des piles usées selon les instructions du fabricant.

Protection contre les décharges électrostatiques

L'électricité statique peut endommager les composants délicats à l'intérieur de votre ordinateur. Pour empêcher de tels dommages, déchargez l'électricité statique de votre corps avant de toucher l'un des composants électroniques de votre ordinateur, tel que le microprocesseur. Vous pouvez le faire en touchant une surface métallique non peinte sur le châssis de l'ordinateur.

Pendant que vous continuez à intervenir à l'intérieur de votre ordinateur, touchez une surface non peinte de temps en temps pour enlever toute charge électrique que votre corps peut avoir accumulée.

Vous pouvez aussi prendre les mesures suivantes pour prévenir les dommages liés aux ESD (Electrostatic discharge [décharges électrostatiques]) :

- Lorsque vous déballez un composant sensible à l'électricité statique de sa boîte de livraison, ne retirez pas le composant de l'emballage antistatique jusqu'à ce que vous soyez prêt à installer le composant dans votre ordinateur. Juste avant de déballer l'emballage antistatique, assurez-vous de décharger l'électricité statique de votre corps.
- Avant de transporter un composant sensible, mettez-le dans une enceinte ou un emballage antistatique.
- Maniez tout composant sensible dans une zone protégée contre l'électricité statique. Si possible, utilisez des coussinets de terre et des coussinets de table de travail antistatiques.

L'avis suivant peut apparaître dans ce document pour vous rappeler ces précautions :

AVIS : Reportez-vous à « Protection contre les décharges électrostatiques » dans les consignes de sécurité, au début de ce guide.

Conseils d'ordre ergonomique



PRÉCAUTION : Une mauvaise utilisation ou une utilisation prolongée du clavier peut provoquer des blessures.



PRÉCAUTION : Regarder l'écran du moniteur pendant de longues périodes risque de provoquer une fatigue oculaire.

Pour vous assurer confort et efficacité, observez les consignes ergonomiques suivantes lorsque vous configurez et utilisez votre système informatique :

- Mettez votre système dans une position où le moniteur et le clavier sont directement face à vous quand vous travaillez. Un mobilier spécial est disponible (chez Dell et ailleurs) pour vous aider à mettre votre clavier à la bonne position.
- Mettez l'ordinateur à une distance visuelle confortable (généralement de 50 à 60 centimètres des yeux).
- Assurez-vous que l'écran du moniteur est au niveau ou légèrement en dessous des yeux quand vous êtes assis(e) devant le moniteur.
- Réglez l'inclinaison du moniteur, son contraste et sa luminosité, ainsi que l'éclairage autour de vous (par exemple l'éclairage vertical, les lampes de bureau et les rideaux ou les stores des fenêtres proches) pour réduire l'éblouissement et les reflets sur l'écran de votre moniteur.
- Utilisez une chaise avec un bon support lombaire.
- Gardez vos avant-bras en position horizontale avec les poignets détendus quand vous utilisez le clavier ou la souris.
- Laissez toujours de l'espace pour poser vos mains pendant que vous utilisez le clavier ou la souris.
- Laissez la partie supérieure de vos bras pendre naturellement à vos côtés.

- Tenez-vous droit(e), avec vos pieds sur le sol et vos cuisses à niveau.
- Quand vous êtes assis(e), assurez-vous que le poids de vos jambes porte sur vos pieds et non sur l'avant de votre chaise. Réglez la hauteur de votre chaise ou utilisez un repose-pieds si nécessaire pour conserver une position correcte.
- Variez vos activités. Essayez d'organiser votre travail de sorte que vous n'ayez pas à taper durant de longues périodes d'affilée. Quand vous vous arrêtez, essayez de vous livrer à des activités nécessitant l'usage des deux mains.

écran du moniteur à la hauteur ou légèrement au-dessous des yeux

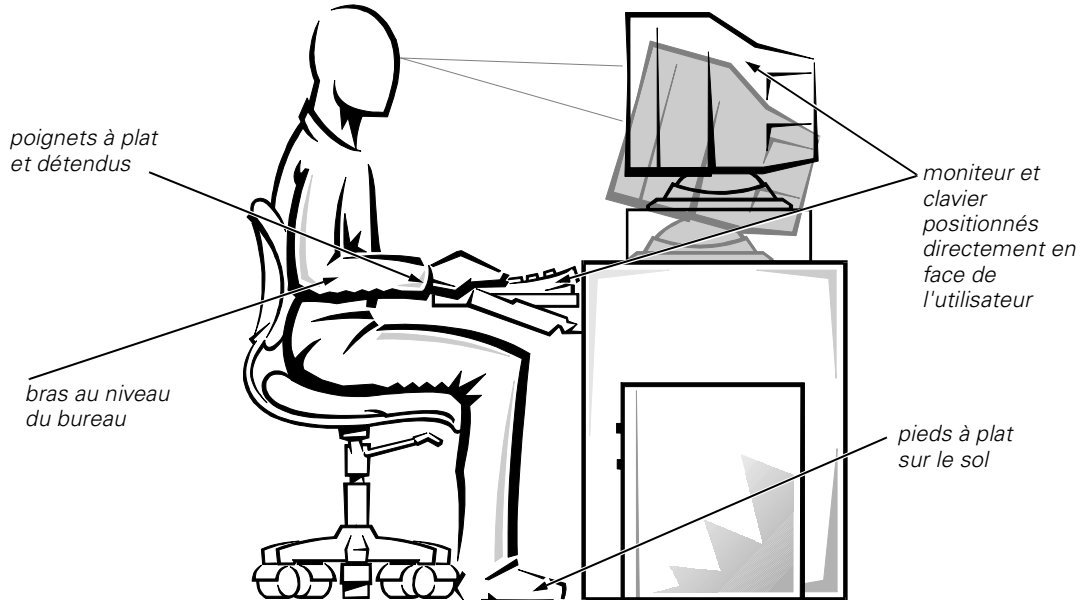




Table de matières

Avant de commencer	2-1
Outils recommandés	2-1
Installation du commutateur	2-2
Retrait des portes du rack	2-3
Réglage de la position du cadre	2-4
Installation de l'assemblage à glissière	2-5
Installation du commutateur dans le rack	2-7
Installation du bras de maniement de câble	2-8
Remise en place des portes du rack	2-9

Illustrations

Figure 2-1. Contenu du kit pour rack	2-2
Figure 2-2. Ouverture de la poignée de la porte	2-3
Figure 2-3. Retrait des portes du rack	2-4
Figure 2-4. Réglage de la position du cadre	2-5
Figure 2-5. Installation de l'assemblage à glissière dans le rack	2-6
Figure 2-6. Installation du commutateur dans le rack	2-7
Figure 2-7. Installation du bras de maniement de câble	2-8



Dell™ PowerVault™ 51F Guide d'installation en rack d'un commutateur Fibre Channel à 8 ports

Ce document fournit des instructions aux techniciens de service agréés pour installer un ou plusieurs commutateurs Dell PowerVault 51F Fibre Channel dans un rack Dell. Le matériel nécessaire au montage en rack d'un commutateur comprend les éléments suivants (voir la figure 2-1) :

- Un assemblage commutateur, comprenant une tubulure avec un cadre attaché, deux rails à glissières internes et le commutateur.
- Un assemblage à glissière comprenant deux glissières externes, chacune avec un support fixe et un support réglable, et deux glissières intermédiaires.
- Un bras de maniement de câble.
- Huit vis 10-32 x 1/2 pouce.
- Huit rondelles à épaisseur décroissante.

Les sections qui suivent décrivent les tâches nécessaires à l'installation du commutateur PowerVault 51F dans un rack Dell.

Avant de commencer

Avant de commencer l'installation de votre commutateur PowerVault 51F dans le rack, consultez les consignes de sécurité qui figurent au début de ce guide ainsi que les outils requis indiqués dans la sous-section suivante.

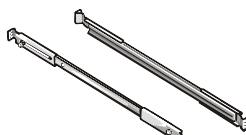
Outils recommandés

Pour installer le commutateur PowerVault 51F, utilisez un tournevis cruciforme N° 2 et un tournevis à lame plate.

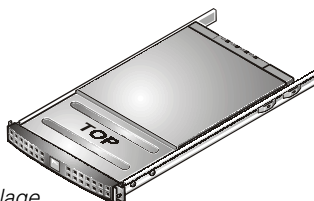
Installation du commutateur

Pour installer le commutateur dans le rack, effectuez les étapes ci-après. Les sous-sections qui suivent comprennent des instructions pour effectuer ces tâches.

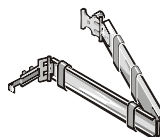
1. Retirez les portes du rack, si nécessaire.
2. Installez l'assemblage à glissière.
3. Installez l'assemblage commutateur.
4. Installez le bras de maniement de câble et acheminez les câbles.
5. Remettez les portes du rack en place si vous les avez retirées.



assemblage à glissière



assemblage commutateur



bras de maniement de câble



vis 10-32 x 1/2 pouce (8)



rondelles à épaisseur décroissante(8)

Figure 2-1. Contenu du kit pour rack

Retrait des portes du rack

Vous pouvez retirer les portes avant et arrière du rack pour vous procurer accès à l'intérieur du rack et éviter d'endommager les portes durant l'installation du kit. Utilisez la procédure qui suit pour retirer les portes.



PRÉCAUTION : Pour éviter de vous blesser compte tenu de la taille et du poids des portes, n'essayez jamais de retirer celles-ci par vous-même.

1. Ouvrez le loquet de la porte avant (voir la figure 2-2).

Faites glisser le capuchon recouvrant le bouton-poussoir du loquet aussi loin que vous le pouvez, appuyez sur le bouton-poussoir, faites pivoter la poignée dans le sens des aiguilles d'une montre jusqu'au déblocage du loquet, puis tirez la porte pour l'ouvrir.

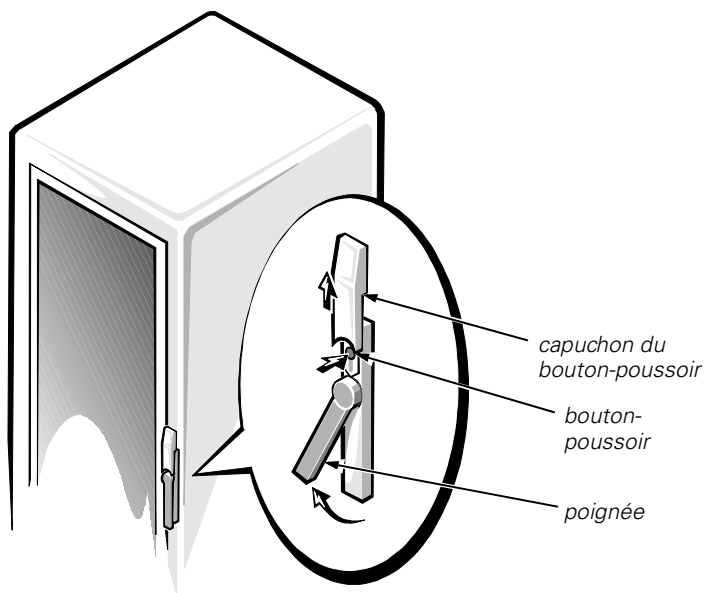


Figure 2-2. Ouverture de la poignée de la porte

2. Retirez la porte avant (voir la figure 2-3) :
 - a. Une personne doit saisir le haut de la porte pour la stabiliser. Quelqu'un d'autre doit tenir le bas de la porte.
 - b. La personne qui soutient le bas de la porte doit appuyer sur le levier de dégagement de la charnière inférieure et tirer ensuite le bas de la porte de quelques centimètres pour l'extraire du rack.
 - c. La personne qui soutient le haut de la porte doit appuyer sur le levier de dégagement de la charnière supérieure et tirer ensuite la porte pour l'extraire du rack.

3. Répétez les étapes 1 et 2 pour retirer la porte arrière du rack.

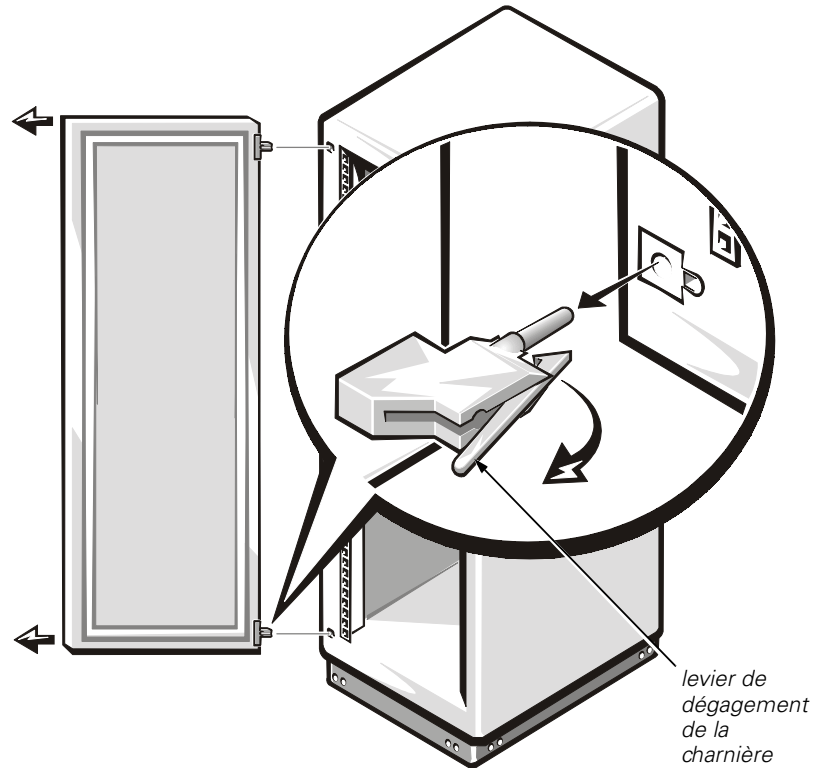


Figure 2-3. Retrait des portes du rack

Mettez les deux portes de côté dans un endroit où elles ne risquent pas de tomber pendant que vous installez le commutateur.

Réglage de la position du cadre

Si vous installez le commutateur dans un rack non Dell, vous devrez peut-être ajuster la position du cadre afin que les portes puissent se fermer correctement. Pour ajuster la position du cadre, effectuez les étapes suivantes (voir la figure 2-4) :

1. Retirez les deux vis à tête plate 6-32 x 1/2 pouce et le clip de montage d'un des côtés du cadre.
2. Ajustez la languette du cadre de façon à ce que les trous de devant soient alignés avec les trous de la tubulure.
3. Remettez en place le clip de montage et les vis.
4. Répétez les étapes 1 à 3 pour l'autre côté du cadre.

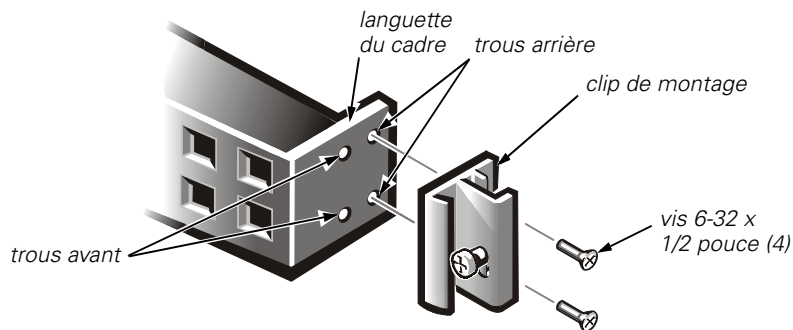


Figure 2-4. Réglage de la position du cadre

Installation de l'assemblage à glissière

Pour installer l'assemblage à glissière dans le rack, effectuez les étapes suivantes :

1. Aligned les trous des supports fixes et réglables avec les trous du rail vertical.

Les supports fixes s'attachent à l'avant du rack. Les supports réglables s'attachent à l'arrière. Le trou au sommet de chaque support doit être aligné avec le trou au sommet de l'unité EIA (Electronic Industries Association [association des industries électroniques]) du rack. Vous verrez un point contre le trou au sommet de l'unité EIA (voir la figure 2-5).



REMARQUE : Les glissières doivent être installées dans une unité EIA. La hauteur du commutateur est équivalente à 1 unité EIA.

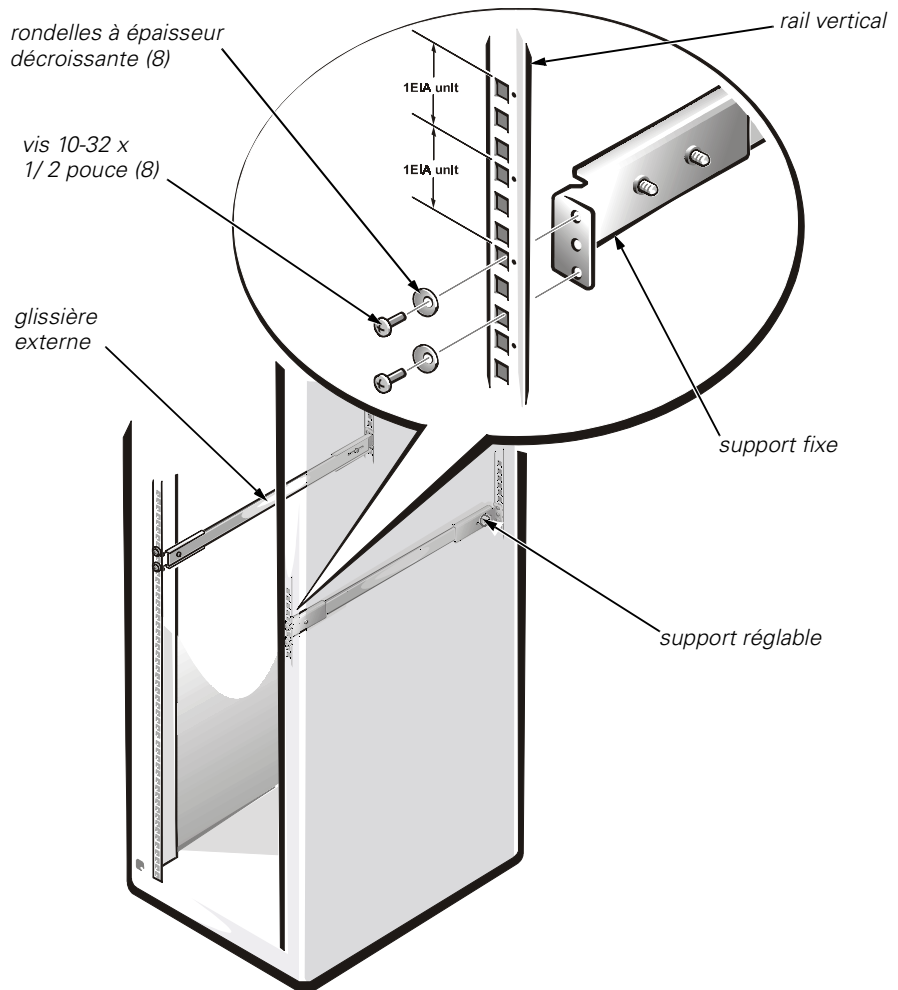


Figure 2-5. Installation de l'assemblage à glissière dans le rack

2. Utilisez quatre vis 10-32 x 1/2 pouce et quatre rondelles à épaisseur décroissante pour installer chaque glissière externe dans le rack, comme illustré par la figure 2-5.

Les vis passent à travers les rondelles, le rail et les trous inférieurs et supérieurs des supports, laissant libres les trous médians des supports.

3. Serrez les vis à fond, puis dévissez-les de deux tours.

Si vous laissez l'assemblage à glissière lâche, vous parviendrez plus facilement à aligner les rails des glissières intermédiaires avec ceux des glissières internes.

Installation du commutateur dans le rack

Pour installer le commutateur dans le rack, effectuez les étapes suivantes :

1. Étendez les deux glissières vers l'avant jusqu'à ce qu'elles se bloquent en position étendue.
2. À l'avant du rack, alignez soigneusement les rails des glissières internes avec les glissières intermédiaires.

Glissez les rails des glissières internes dans les glissières intermédiaires, comme le montre la figure 2-6. Appuyez sur le bouton vert à l'extérieur de chaque glissière externe afin de faire glisser le commutateur en position médiane. Enfoncez à nouveau le bouton vert pour faire glisser le commutateur à sa position finale afin qu'il se bloque en place.

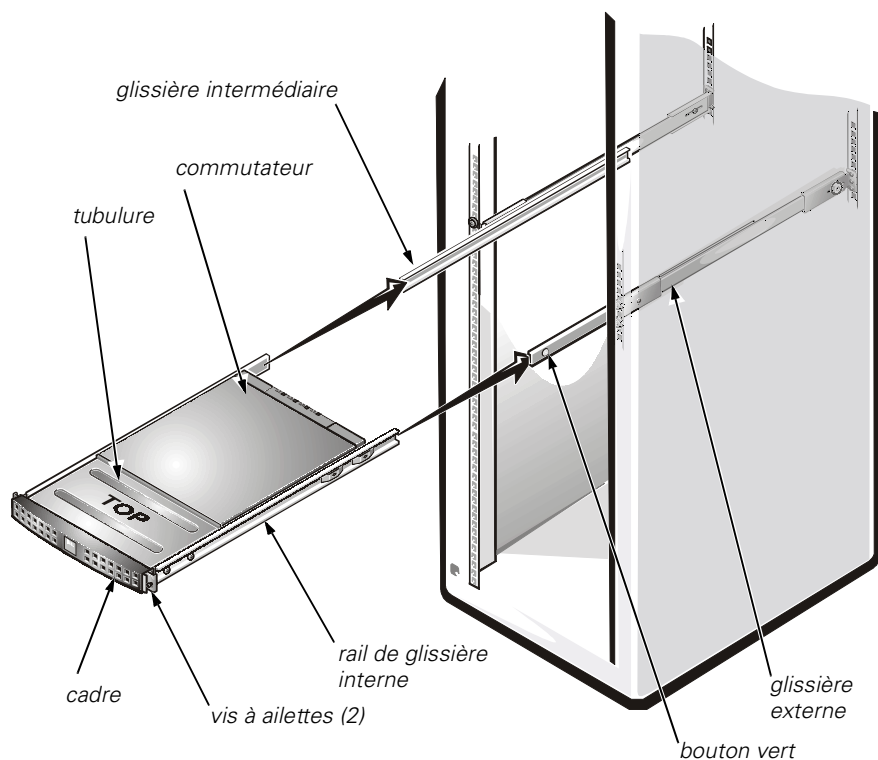


Figure 2-6. Installation du commutateur dans le rack

3. Assurez-vous qu'il n'y a pas d'espace entre la tubulure et le commutateur.
4. Serrez les huit vis 10-32 x 1/2 pouce servant à attacher les glissières externes au rack.

5. Serrez les deux vis à ailettes sur le cadre afin d'empêcher le commutateur et l'assemblage à glissière de glisser hors du rack.

Les vis à ailettes traversent les trous du rack et les trous au milieu des supports fixes.

Installation du bras de manieient de câble

1. De l'arrière du rack, tirez le commutateur d'environ 7 centimètres (cm).

Le commutateur devrait se bloquer en place.

2. Fixez l'extrémité du bras de manieient de câble au rail de glissière interne en insérant les deux languettes dans les deux fentes jusqu'à ce que les clips de fixation s'enclenchent en place avec un déclic (voir la figure 2-7).

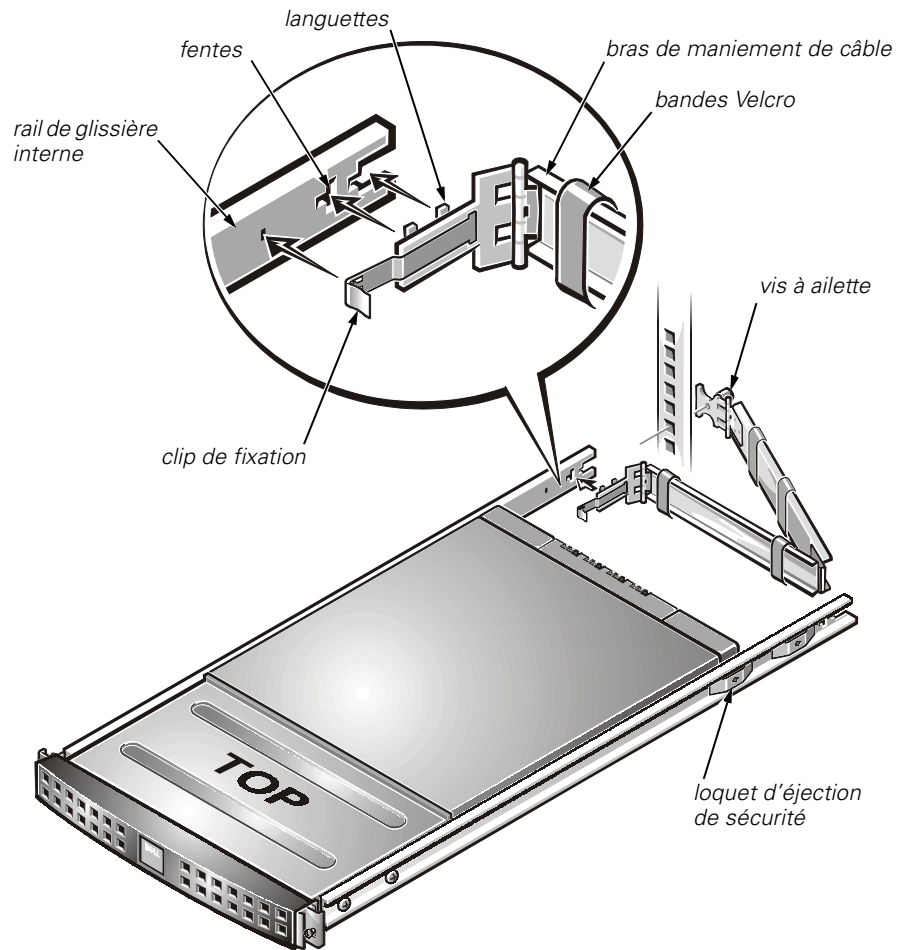


Figure 2-7. Installation du bras de manieient de câble

3. Acheminez les câbles le long du bras de manquement de câble et fixez-les au bras à l'aide des bandes Velcro prévues à cet effet sur le bras de manquement de câble.

Veillez à ne pas pincer les câbles dans les articulations du bras de manquement de câble.

Pour plus de précisions sur la connexion des câbles à l'ordinateur, consultez le *Guide d'installation et de dépannage*.

4. Appuyez sur les loquets d'éjection de sécurité sur les rails de la glissière interne et faites coulisser le commutateur dans le rack jusqu'à ce qu'il s'enclenche en place.

Assurez-vous que les surfaces de la tubulure et le commutateur sont à niveau.

5. Serrez les vis à ailettes sur le bras de manquement de câble.

Les vis à ailettes traversent le trou dans le rack et le trou médian du support réglable.

Remise en place des portes du rack

Pour remettre en place les portes avant et arrière du rack, effectuez les étapes ci-après.



PRÉCAUTION : Pour éviter de vous blesser compte tenu de la taille et du poids des portes, n'essayez jamais de remettre en place les portes par vous-même.

1. Soulevez la porte avant et alignez les charnières avec les trous dans le rack (voir la figure 2-3).
2. Faites glisser les charnières dans les trous du rack jusqu'à ce que les leviers d'éjection des charnières bloquent les charnières en position.
3. Fermez le loquet de la porte en tournant la poignée dans le sens inverse des aiguilles d'une montre jusqu'à son arrêt, enfoncez la poignée jusqu'à ce qu'elle se verrouille en place et faites glisser le capuchon sur le bouton poussoir (voir la figure 2-2).

Répétez les étapes 1 à 3 pour installer la porte arrière.



Dell™ PowerVault™ 51F
Glasfaserkanalschalter mit 8 Anschlüssen

**RACK-INSTALLATIONS-
HANDBUCH**

Irrtümer und technische Änderungen vorbehalten.
© 1999 Dell Computer Corporation. Alle Rechte vorbehalten.

Nachdrucke jeglicher Art ohne die vorherige schriftliche Genehmigung der Dell Computer Corporation sind strengstens untersagt.

Warenzeichen in diesem Text: *Dell*, das *DELL*-Logo, *PowerEdge* und *PowerVault* sind Warenzeichen der Dell Computer Corporation.

Alle anderen in dieser Dokumentation genannten Warenzeichen und Handelsbezeichnungen sind Eigentum der entsprechenden Hersteller und Firmen. Die Dell Computer Corporation verzichtet auf alle Besitzrechte an Warenzeichen und Handelsbezeichnungen, die nicht ihr Eigentum sind.

Oktober 1999 P/N 4939T Rev. A01



Sicherheitsanweisungen

Beachten Sie die folgenden Sicherheitsanweisungen, zur Gewährleistung der eigenen Sicherheit und um den Computer und das Speichersystem vor möglicher Beschädigung zu schützen.

Anmerkungen, Hinweise, Vorsichtshinweise und Warnungen

Im diesem Handbuch sind verschiedene Textabschnitte mit einem Symbol gekennzeichnet und kursiv- oder fettgedruckt. Diese Texte sind Anmerkungen, Hinweise, Vorsichtshinweise und Warnungen, die wie folgt eingesetzt werden:



ANMERKUNG: Eine ANMERKUNG macht auf wichtige Informationen aufmerksam, mit denen Sie das System besser einsetzen können.

HINWEIS: Ein HINWEIS warnt vor möglichen Beschädigungen der Hardware oder Datenverlust und zeigt, wie diese vermieden werden können.



VORSICHT: Ein VORSICHTshinweis zeigt eine mögliche gefährliche Situation an, die bei Nichtbeachtung zu leichten oder mittelschweren Verletzungen führen könnte.



WARNUNG: Eine WARNUNG zeigt eine mögliche gefährliche Situation an, die bei Nichtbeachtung zum Tode oder zu schweren Verletzungen führen könnte.



Vorsichtshinweise und Warnungen

Beachten Sie die folgenden Vorsichtshinweise und Warnungen, wenn Sie den Computer bedienen und warten:

VORSICHT: Es besteht die Gefahr, daß eine neue Batterie, falls unsachgemäß eingebaut, explodieren kann. Die Batterie nur mit dem selben Typ oder einer vom Hersteller empfohlenen Batterie ersetzen. Leere Batterien entsprechend den Anweisungen des Herstellers entsorgen.

WARNUNG: Die Netzteile in Ihrem Computer oder Speichersystem erzeugen u.U. hohe Spannungen und stromquellenspezifische Gefährdungen,

die Verletzungen verursachen können. Nur ausgebildete Service-Techniker dürfen das Systemgehäuse entfernen und auf die Komponenten im Inneren des Computers zugreifen. Diese Warnung gilt für Dell PowerEdge 4xxx oder höhere Server und Dell PowerVault 20xS Speichersysteme.

WARNUNG: Dieses System hat u.U. mehr als ein Netzteilkabel. Um das Risiko eines elektrischen Schlages zu reduzieren, muß ein ausgebildeter Service-Techniker vor der Wartung des Systems alle Netzteilkabel vom Stromnetz trennen.

DŮLEŽITÉ UPOZORNĚNÍ: Tento systém může mít více napájecích kabelů. Ke snížení rizika úrazu elektrickým proudem je nutné, aby školený servisní technik před prováděním servisu systému odpojil všechny napájecí kabely.

ADVARSEL: Dette system kan have mere end et strømforsyningskabel. For at reducere risikoen for elektrisk stød, bør en professionel servicetekniker frakoble alle strømforsyningskabler, før systemet serviceres.

VAROITUS: Tässä järjestelmässä voi olla useampi kuin yksi virtajohdo. Sähköiskuvaaran pienentämiseksi ammattitaitoisen huoltohenkilön on irrotettava kaikki virtajohdot ennen järjestelmän huoltamista.

ПРЕДУПРЕЖДЕНИЕ: Данная система может иметь несколько кабелей электропитания. Во избежание электрического удара квалифицированный техник должен отключить все кабели электропитания прежде, чем приступить к обслуживанию системы.

OSTRZEŻENIE: System ten może mieć więcej niż jeden kabel zasilania. Aby zmniejszyć ryzyko porażenia prądem, przed naprawą lub konserwacją systemu wszystkie kable zasilania powinny być odłączone przez przeszkolonego technika obsługi.

ADVARSEL! Det er mulig at dette systemet har mer enn én strømledning. Unngå fare for støt: En erfaren servicetekniker må koble fra alle strømledninger før det utføres service på systemet.

WARNING: Detta system kan ha flera nätkablar. En behörig servicetekniker måste koppla loss alla nätkablar innan service utförs för att minska risken för elektriska stötar.



Zusätzliche Sicherheitsmaßnahmen

Um das Risiko körperlicher Verletzung, elektrischen Schlages, Feuers, und Beschädigung der Geräte zu reduzieren, beachten Sie bitte die folgenden Sicherheitsmaßnahmen.

Generelle Sicherheitsmaßnahmen

Beachten Sie die folgenden Sicherheitsmaßnahmen beim Gebrauch des Systems und bei Arbeit am Computer:

- Beachten Sie die folgenden Wartungshinweise. Warten Sie alle Dell Produkte nur so, wie in der Dell System-Dokumentation beschrieben. Das Öffnen und Entfernen von Abdeckungen, die mit einem Blitzsymbol innerhalb eines Dreiecks gekennzeichnet sind, kann einen elektrischen Schlag verursachen. Komponenten im Inneren solcher Bereiche sollten nur von einem Dell-autorisierten Service-Techniker gewartet werden.
- Falls einer der folgenden Zustände eintritt, den Stecker des Produkts aus der Steckdose ziehen und das entsprechende Teil ersetzen oder einen Dell- autorisierten Service-Dienst kontaktieren:
 - Das Stromkabel, das Verlängerungskabel oder der Stecker ist beschädigt.
 - Ein Objekt ist in das Produkt hineingefallen.
 - Das Produkt ist mit Wasser in Berührung gekommen.
 - Das Produkt wurde fallengelassen oder beschädigt.
 - Das Produkt funktioniert nicht richtig, wenn die Betriebsanweisungen befolgt werden.
- Halten Sie die Systemkomponenten von Heizungen und anderen Wärmequellen fern. Ebenso dürfen Entlüftungsöffnungen nicht abgedeckt oder blockiert werden.
- Lassen Sie die Systemkomponenten nicht mit Lebensmitteln oder Flüssigkeiten in Berührung kommen, und betreiben Sie das Produkt nie in einer feuchten Umgebung. Sollte der Computer feucht werden, ziehen Sie das entsprechende Kapitel in Ihrem Fehlerbeseitigungshandbuch zu Rate oder kontaktieren Sie einen Dell- autorisierten Service-Dienst.
- Stecken Sie keine Objekte in die Öffnungen der Systemkomponenten. Dies kann durch einen Kurzschluß der internen Komponenten zu Feuer oder einem elektrischen Schlag führen.
- Verwenden Sie das Produkt nur mit anderen Dell Produkten oder mit von Dell zugelassenen Geräten.
- Lassen Sie das Produkt abkühlen, bevor Sie Abdeckungen entfernen oder interne Komponenten berühren.
- Verwenden Sie die korrekte externe Stromquelle. Betreiben Sie das Produkt nur mit der Stromquellenart, die auf den Elektrowerte-Etiketten angegeben sind. Falls Sie nicht sicher sind, welche Stromquellenart benötigt wird, fragen Sie den Dell Service-Dienst oder Ihre örtliche Stromversorgungsfirma.

- Um Beschädigungen der Systemkomponenten zu verhindern, stellen Sie sicher, daß der Spannungswahlschalter am Netzteil (falls vorhanden) den örtlichen Stromgegebenheiten entsprechend eingestellt ist:
 - 115 Volt (V)/60 Hertz (Hz) in den meisten nord- und südamerikanischen Ländern und einigen Ländern des Fernen Ostens, wie z.B. Süd-Korea und Taiwan
 - 100 V/50 Hz in Ost-Japan und 100 V/60 Hz in West-Japan
 - 230 V/50 Hz in den meisten Ländern Europas, des Mittleren und Fernen Ostens

Stellen Sie ferner sicher, daß Ihr Bildschirm und andere angeschlossene Geräte für den Betrieb unter den örtlichen Stromgegebenheiten ausgelegt sind.

- Verwenden Sie nur zugelassene Stromkabel. Falls Ihr Computer, Ihr Speichersystem oder eine zu dem System gehörige Gleichstrom-Option nicht mit einem Stromkabel geliefert wurde, kaufen Sie ein Stromkabel, das für den Gebrauch in Ihrem Land zugelassen ist. Das Stromkabel muß für das Produkt zugelassen sein und für die Spannung und die Stromstärke, die auf dem Elektrowerte-Etikett des Produkts angegeben ist. Der Spannungs- und Stromstärkenwert des Kabels sollte größer sein als die auf dem Produkt angegebenen Werte.
- Um einen elektrischen Schlag zu verhindern, schließen Sie die Stromkabel der Systemkomponenten und der Periphergeräte an korrekt geerdete Steckdosen an. Diese Kabel sind mit dreistiftigen Steckern ausgestattet, um ordnungsgemäße Erdung zu gewährleisten. Verwenden Sie keinen Adapter-Stecker und entfernen Sie nicht den Erdungsstift des Kabels. Falls Sie ein Verlängerungskabel verwenden müssen, gebrauchen Sie ein dreidrahtiges Kabel mit ordnungsgemäß geerdeten Steckern.
- Beachten Sie die Elektrowerte von Verlängerungs- und Stromkabeln. Stellen Sie sicher, daß der Gesamtamperewert aller Produkte, die an ein Verlängerungs- oder Stromkabel angeschlossen sind, nicht mehr als 80 Prozent der Maximal-Amperewerte des Verlängerungs- oder Stromkabels ausmacht.
- Verwenden Sie mit Ihrem Dell-Produkt keine Geräte-/Spannungswandler oder Sätze, die für Haushaltsgeräte verkauft werden.
- Um Ihre Systemkomponenten vor plötzlichen, vorübergehenden Stromschwankungen zu schützen, verwenden Sie einen Überspannungsschutz, Spannungsstabilisator oder USV (Uninterruptible Power Supply [Unterbrechungsfreie Stromversorgung]).
- Arrangieren Sie alle (Strom-)Kabel vorsichtig; leiten und stecken Sie (Strom-)Kabel so, daß man nicht auf sie treten oder über sie stolpern kann. Stellen Sie sicher, daß nichts auf den Systemkomponentenkabeln und Stromkabeln steht oder liegt.
- Modifizieren Sie keine Stromkabel und Stecker. Befragen Sie einen lizenzierten Elektriker oder Ihre Stromversorgungsfirma bei Veränderungen der Räumlichkeiten. Befolgen Sie immer die lokalen oder nationalen Verkabelungsregeln.
- Um eine mögliche Beschädigung der Systemplatine zu vermeiden, nach dem Ausschalten des Systems 5 Sekunden warten, bevor eine Komponente von der Systemplatine entfernt oder ein Peripheriegerät vom Computer getrennt wird.

- Gehen Sie vorsichtig mit Batterien um. Batterien nie auseinanderbauen, zusammendrücken, durchlöchern, kurzschließen, in Feuer oder Wasser entsorgen oder Temperaturen von mehr als 60 Grad Celsius (140 Grad Fahrenheit) aussetzen. Versuchen Sie nicht, Batterien zu öffnen oder zu warten; ersetzen Sie Batterien nur mit für das Produkt bestimmten Batterien.
- Vermindern Sie die Lautstärke, bevor Sie Kopfhörer oder andere Audio-Geräte verwenden.

Sicherheitsmaßnahmen für Server und Speichersysteme

Beachten Sie die folgenden zusätzlichen Sicherheitsanweisungen für Ihr System:

- Wenn nicht ausdrücklich von der Installations- und/oder Fehlerbeseitigungsdokumentation erlaubt, keine Gehäuseabdeckungen entfernen, Sicherheitsschlösser umgehen oder auf Komponenten im Inneren des Systems zugreifen. Je nachdem, welches System Sie haben, dürfen Einbau und Reparaturen nur von Personen ausgeführt werden, die Qualifikationen zur Wartung des Computers oder der Speichersystemgeräte besitzen und dafür ausgebildet sind, mit Produkten umzugehen, die gefährliche Elektroladungen produzieren können.
- Beachten Sie folgende Anweisungen, wenn Sie aktivsteckbare Netzteile (falls vorhanden) anschließen oder vom Netz trennen:
 - Installieren Sie das Netzteil, bevor Sie das Stromkabel an das Netzteil anschließen.
 - Trennen Sie das Stromkabel vom Netz, bevor Sie das Netzteil entfernen.
 - Falls das System Strom aus verschiedenen Stromquellen bezieht, trennen Sie das System vom Stromnetz, indem Sie *alle* Stromkabel von den Netzteilen trennen.
- Bewegen Sie Produkte mit Vorsicht; stellen Sie sicher, daß alle Füße und/oder Stabilisatoren fest mit dem Computer oder Speichersystem verbunden sind. Vermeiden Sie plötzliches Anhalten und unebene Oberflächen.

Sicherheitsmaßnahmen für in Rackform montierbare Produkte

Beachten Sie die folgenden Sicherheitsmaßnahmen zur Rack-Stabilität und -Sicherheit. Wenden Sie sich an die Rack-Installations-Dokumentation, die mit dem System und Rack geliefert wurde, für spezielle Warnungen und/oder Vorsichtshinweise sowie Vorgehensweisen.



WARNUNG: Das Installieren der Dell Systemkomponenten in ein Dell-Rack, ohne vorher die vorderen und seitlichen Stabilisatoren einzubauen, kann zum Umkippen des Racks und dadurch möglicherweise zu Körperverletzungen führen. Bauen Sie daher immer zuerst die Stabilisatoren ein, bevor Sie die Komponenten in einem Rack installieren.

Wenn die Systemkomponenten in einem Rack installiert sind, nie mehr als eine Komponente auf ihrer Schiene aus dem Rack ziehen. Das Gewicht von mehr als einer herausgezogenen Komponente kann u.U. zum Umkippen des Racks und dadurch zu Verletzungen führen.



ANMERKUNG: Der Dell Server und das Dell Speichersystem sind ausgelegt als Komponenten für den Gebrauch in Dells Rack-Schrank unter Verwendung des Dell Kunden-Rack-Bausatzes. Der endgültige Einbau von Dell Systemen und Rack-Bausätzen in Rack-Schränke einer anderen Marke ist von keiner Agentur für Sicherheit und Gesundheitsschutz am Arbeitsplatz offiziell genehmigt. Es unterliegt der Verantwortung des Kunden, die endgültige Kombination von Dell Systemen und Rack-Bausätzen zur Benutzung in Rack-Schränken anderer Marken von einer Agentur für Sicherheit und Gesundheitsschutz am Arbeitsplatz auf Eignung prüfen zu lassen.

- Rack-System-Einbausätze sollten nur von ausgebildeten Service-Technikern in ein Dell Rack eingebaut werden. Wenn Sie den Einbausatz in einem anderen Rack installieren, stellen Sie sicher, daß das Rack den Spezifikationen des Dell Racks entspricht.
- Bewegen Sie große Racks nicht alleine. Aufgrund der Höhe und des Gewichts des Racks empfiehlt Dell, daß mindestens zwei Personen das Rack gemeinsam bewegen.
- Bevor Sie an dem Rack arbeiten, stellen Sie sicher, daß die Stabilisatoren sicher am Rack befestigt sind und bis auf den Boden reichen und daß das gesamte Gewicht des Racks auf dem Boden lastet. Installieren Sie die vorderen und seitlichen Stabilisatoren für ein einzelnes Rack und die vorderen Stabilisatoren für ein verbundenes multiples Rack, bevor Sie an dem Rack arbeiten.
- Beladen Sie das Rack immer von unten nach oben, wobei das schwerste Teil zuerst in das Rack eingebaut wird.
- Stellen Sie sicher, daß das Rack eben und stabil ist, bevor Sie eine Komponente aus dem Rack ziehen.
- Ziehen Sie immer nur eine Komponente aus dem Rack (d.h. nicht mehrere gleichzeitig).
- Seien Sie vorsichtig, wenn Sie die Komponentenschienenlöseriegel drücken und eine Komponente in das Rack schieben oder herausnehmen, da die Schiebeshienen die Finger einklemmen können.
- Nachdem eine Komponente in das Rack eingebaut wurde, ziehen Sie die Schiene vorsichtig in die Verschußposition und schieben Sie dann die Komponente in das Rack.
- Überlasten Sie nicht den Wechselstromversorgungszweigschaltkreis, der der Stromzufuhr zum Rack dient. Die Rack-Gesamtbelastung sollte 80 Prozent des Zweigschaltkreiswertes nicht übersteigen.
- Stellen Sie sicher, daß ordnungsgemäße Luftzufuhr zu den Komponenten des Racks gewährleistet ist.
- Treten und stellen Sie sich nicht auf Systeme/Komponenten, während Sie andere Systeme/Komponenten im Rack warten.

Sicherheitsmaßnahmen für Produkte mit Modems, Telekommunikations- und Local Area Network (Lokales Netzwerk)-Optionen

Beachten Sie die folgenden Richtlinien, wenn Sie mit Optionen arbeiten:

- Ein Modem oder Telefon nie während eines Gewitters anschließen oder benutzen. Es besteht die Gefahr eines elektrischen Schlages durch Blitzschlag.
- Ein Modem oder Telefon nie in einer feuchten Umgebung anschließen oder benutzen.
- Schließen Sie ein Modem oder Telefonkabel nicht an einen NSC-(Network Interface Controller [Netzwerkschnittstellen-Controller-]) Anschluß an.
- Trennen Sie das Modemkabel vom Stromnetz, bevor Sie ein Produktgehäuse öffnen, eine interne Komponente berühren oder installieren oder ein nicht-isoliertes Modemkabel oder eine Buchse berühren.
- Falls Sie ausströmendes Gas melden wollen, verwenden Sie keine Telefonleitung in der Nähe der lecken Gasquelle.

Sicherheitshinweise für Produkte mit Laser-Geräten

Beachten Sie die folgenden Sicherheitshinweise für Laser-Geräte:

- Bei einem Laser-Gerät keine Abdeckungen öffnen, Regler bedienen, Einstellungen verändern oder sonstige Maßnahmen ausführen, sofern die Produktinformation dies nicht ausdrücklich erlaubt.
- Nur autorisierte Service-Techniker sollten Laser-Geräte reparieren.

Arbeiten im Inneren des Computers

Vor dem Entfernen des Systemgehäuses sind die folgenden Schritte in der angegebenen Reihenfolge auszuführen.

HINWEIS: Einige Dell-Systeme können aufgrund hoher Spannungen und strombedingter Gefährdung nur von ausgebildeten Service-Technikern gewartet werden. Nehmen Sie nur die Servicearbeiten am System selbst vor, die in diesem Handbuch und an anderer Stelle der Dell-Dokumentation beschrieben sind. Befolgen Sie Installations- und Serviceanweisungen immer genau.

HINWEIS: Um eine mögliche Beschädigung der Systemplatine zu vermeiden, nach dem Ausschalten des Systems 5 Sekunden warten, bevor eine Komponente von der Systemplatine entfernt oder ein Peripheriegerät vom Computer getrennt wird.

1. Schalten Sie den Computer und alle Geräte aus.

2. Erden Sie sich selbst, indem Sie eine unbeschichtete Metallfläche am Systemgehäuse berühren (z.B. den Metallrahmen der Kartensteckplatzöffnungen auf der Rückseite des Systems), bevor Sie etwas im Inneren des Systems berühren.

Wiederholen Sie während der Arbeit im Inneren des Systems diese Erdung regelmäßig, um statische Aufladungen, die die internen Komponenten beschädigen könnten, abzuleiten.

3. Trennen Sie Computer und Geräte von den jeweiligen Stromquellen. Ebenso alle Telefon- und Telekommunikationsleitungen vom Computer trennen.

Dadurch wird die Gefahr von Körperverletzungen oder Schlag reduziert.

Beachten Sie bitte zusätzlich die folgenden Sicherheitsrichtlinien sofern angebracht:

- Beim Herausziehen eines Kabels, am Stecker oder an der Zuglasche und nicht am Kabel selbst ziehen. Einige Kable besitzen einen Anschluß mit Verschußriegeln; beim Herausziehen eines solchen Kabels die Verschußriegel drücken, bevor das Kabel herausgezogen wird. Beim Trennen von Anschlüssen die Teile gerade ausrichten, um das Verbiegen von Anschlußstiften zu vermeiden. Stellen Sie auch vor dem Anschließen von Kabeln sicher, daß beide Teile des Anschlusses in die richtige Richtung zeigen und gerade ausgerichtet sind.
- Gehen Sie mit Komponenten und Karten vorsichtig um. Berühren Sie nicht die Komponenten oder Kontakte auf einer Karte. Halten Sie eine Karte an den Seiten oder der Metall-Montagehalterung. Halten Sie eine Komponente, wie z.B. einen Mikroprozessor-Chip, an den Seiten und nicht an den Stiften.



VORSICHT: Es besteht die Gefahr, daß eine neue Batterie, falls unsachgemäß eingebaut, explodieren kann. Die Batterie nur mit dem selben Typ oder einer vom Hersteller empfohlenen Batterie ersetzen. Leere Batterien entsprechend den Anweisungen des Herstellers entsorgen

Schutz vor elektrostatischer Entladung

Statische Aufladung kann u.U. anfällige Komponenten im Inneren des Computers beschädigen. Um Schäden durch statische Aufladung zu verhindern, statische Aufladung des Körpers entladen, bevor die elektronischen Komponenten des Computers, wie z.B. der Mikroprozessor, berührt werden. Sie erreichen dies, indem Sie eine unbeschichtete Metallfläche auf dem Computer-Chassis berühren.

Berühren Sie während der Arbeit im Inneren des Computers regelmäßig eine unbeschichtete Metallfläche, um statische Aufladung, die Ihr Körper angesammelt haben könnte, zu entladen.

Die folgenden Schritte verhindern ebenso Schäden durch ESD (Electrostatic discharge [elektrostatische Entladung]):

- Entnehmen Sie eine statik-anfällige Komponente erst dann dem antistatischen Verpackungsmaterial, wenn die Komponente in den Computer eingebaut werden soll. Vor dem Entnehmen der Komponente aus der antistatischen Verpackung unbedingt statische Aufladungen des Körpers entladen.

- Transportieren Sie anfällige Komponenten in einem antistatischen Behälter oder in einer antistatischen Verpackung.
- Alle anfälligen Komponenten in einer statikfreien Umgebung handhaben. Wenn möglich antistatische Fußboden- und Arbeitsplatzunterlagen verwenden.

Der folgende Hinweis erscheint mehrmals in diesem Dokument, um Sie an die Sicherheitsmaßnahmen zu erinnern:

HINWEIS: Siehe "Schutz vor elektrostatischer Entladung" in den Sicherheitsanweisungen am Anfang dieses Handbuchs.

Ergonomische Computer-Verhaltensweisen



VORSICHT: Unsachgemäßer oder andauernder Tastaturgebrauch kann zu Verletzungen führen.

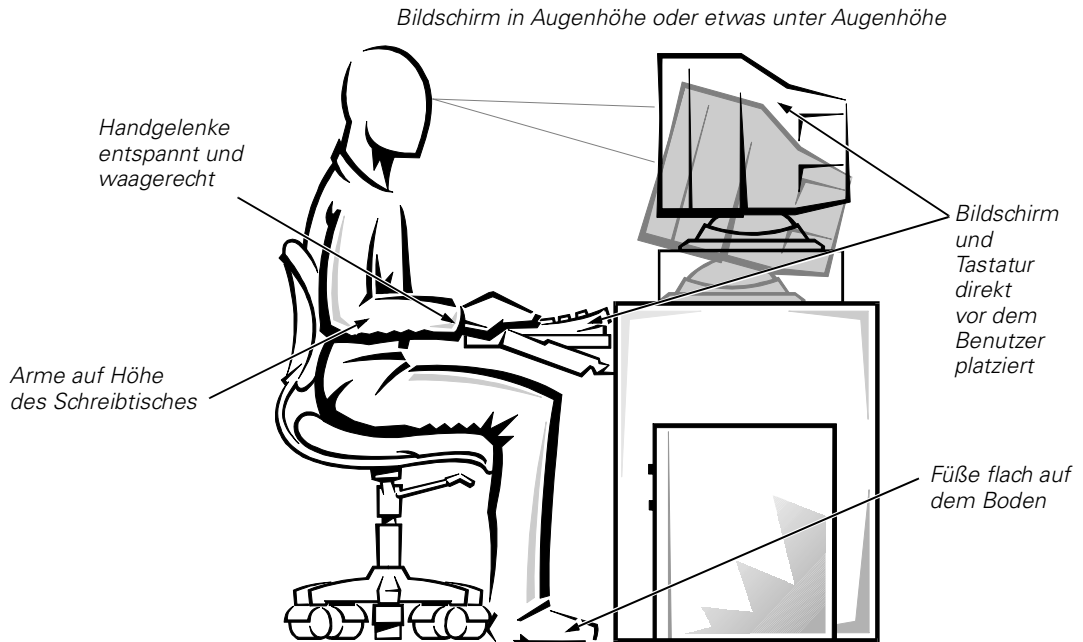


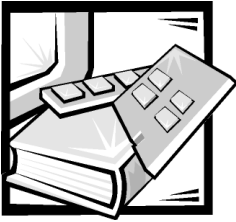
VORSICHT: Andauerndes Schauen auf den Bildschirm kann zu Überanstrengung der Augen führen.

Für Komfort und Effizienz beachten Sie die folgenden ergonomischen Richtlinien, wenn Sie Ihr Computer-System einrichten und benutzen:

- Platzieren Sie das System derart, daß Bildschirm und Tastatur sich beim Arbeiten am Computer direkt vor Ihnen befinden. Spezialablagen, die zur korrekten Platzierung der Tastatur hilfreich sind, können (von Dell und anderen Quellen) bezogen werden.
- Stellen Sie den Bildschirm mit einem komfortablen Sichtabstand auf (gewöhnlich mit 510 bis 610 Millimeter [20 bis 24 Zoll] Augenabstand).
- Stellen Sie sicher, daß der Bildschirm sich beim Sitzen vor dem Computer in Augenhöhe oder etwas unter Augenhöhe befindet.
- Stellen Sie die Neigung, Kontraststärke und Helligkeit des Bildschirms und die Beleuchtung in Ihrer Umgebung (Deckenbeleuchtung, Schreibtischlampen, Vorhänge und Jalousien von nahen Fenstern) so ein, daß Bildschirmspiegelung und -blendung minimal sind.
- Verwenden Sie einen Stuhl mit guter Stütze im unteren Rückenbereich.
- Halten Sie bei der Benutzung der Tastatur und der Maus die Unterarme horizontal und die Handgelenke in einer Linie mit den Unterarmen in einer neutralen und bequemen Position.
- Bei der Benutzung der Tastatur und der Maus sollten die Hände immer aufliegen.
- Lassen Sie die Oberarme locker am Körper herabhängen.
- Sitzen Sie aufrecht, wobei die Füße auf dem Boden stehen und die Oberschenkel eine Parallele zum Boden bilden.
- Stellen Sie sicher, daß beim Sitzen das Gewicht der Beine auf den Füßen lastet und nicht auf der Vorderkante der Sitzfläche. Wenn nötig, stellen Sie die Höhe Ihres Stuhls entsprechend ein oder verwenden Sie eine Fußablage, um korrekte Körperhaltung zu gewährleisten.

- Variieren Sie Ihre Arbeitsaktivitäten. Versuchen Sie, Ihre Arbeit so einzuteilen, daß Sie nie für längere Zeit tippen müssen. Wenn Sie das Tippen beenden, versuchen Sie etwas zu tun, wozu Sie beide Hände gebrauchen.





Inhaltsverzeichnis

Bevor Sie anfangen	3-1
Empfohlene Werkzeuge	3-1
Schalter einbauen	3-2
Türen vom Rack entfernen	3-3
Blendenposition justieren	3-4
Schubmontagesatz installieren	3-5
Schalter in das Rack einbauen	3-7
Den Kabelführungsarm installieren	3-8
Türen am Rack wieder anbringen	3-10

Abbildungen

Abbildung 3-1. Inhalt des Rack-Einbausatzes	3-2
Abbildung 3-2. Den Türriegel öffnen	3-3
Abbildung 3-3. Racktüren entfernen	3-4
Abbildung 3-4. Blendenposition justieren	3-5
Abbildung 3-5. Schubmontagesatz im Rack installieren	3-6
Abbildung 3-6. Schalter in das Rack einbauen	3-7
Abbildung 3-7. Kabelführungsarm installieren	3-9



Dell™ PowerVault™ 51F Glasfaserkanalschalter mit 8 Anschlüssen Rack-Installationshandbuch

Dieses Dokument enthält Anleitung für geschulte Servicetechniker zur Installation von einem oder mehreren Dell PowerVault 51F Glasfaserkanalschalter in einem Dell-Rack. Die Schalter-Rackmontagehardware beinhaltet die folgenden Einzelteile (siehe Abbildung 3-1):

- Einen Schaltermontagesatz, bestehend aus einer Blende, zwei inneren Gleitschienen und dem Schalter
- Einen Schubmontagesatz, bestehend aus zwei äußeren Gleitschienen, beide mit jeweils einer starren und justierbaren Halterung und zwei Zwischenschienen
- Ein Kabelführungsarm
- Acht 10-32 x 1/2-Zoll Schrauben
- Acht konische Unterlegscheiben

Der folgende Abschnitt beschreibt die Vorgehensweise zur Installation des PowerVault 51F-Schalters in ein Dell-Rack.

Bevor Sie anfangen

Bevor Sie Ihren PowerVault 51F-Schalter in das Rack einbauen, lesen Sie bitte die Sicherheitsinformationen am Anfang dieses Handbuchs und die Werkzeuganforderungen im folgenden Unterabschnitt.

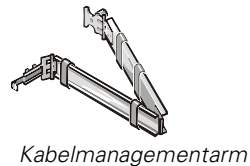
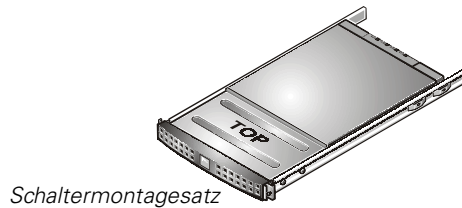
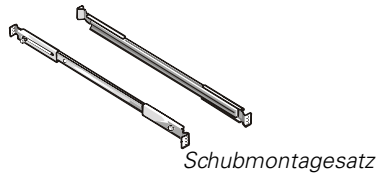
Empfohlene Werkzeuge

Um den PowerVault 51F-Schalter zu installieren, einen #2 Kreuzschlitzschraubenzieher und einen Flachkopfschraubenzieher benutzen.

Schalter einbauen

Um den Schalter in das Rack einzubauen, die folgenden Schritte ausführen. Die nachfolgenden Unterabschnitte enthalten die Anleitungen zur Ausführung dieser Schritte.

1. Türen vom Rack abnehmen (falls nötig).
2. Schubmontagesatz installieren.
3. Schaltermontagesatz installieren.
4. Kabelmanagementarm installieren und Kabel verlegen.
5. Racktüren wieder anbringen (falls zuvor entfernt).



T
10-32 x 1/2-Zoll
Schrauben (8)

O
konische
Unterlegscheiben (8)

Abbildung 3-1. Inhalt des Rack-Einbausatzes

Türen vom Rack entfernen

Sie können die Türen von Rack entfernen, um besseren Zugang zum Inneren des Rack zu haben und die Beschädigung der Türen zu vermeiden. Die folgende Vorgehensweise benutzen.



VORSICHT: Um Körperverletzungen vorzubeugen, die durch die Größe und das Gewicht der Türen verursacht werden können, sollten Sie nie versuchen, die Türen allein abzunehmen.

1. Öffnen Sie den Riegel an der vorderseitigen Tür (siehe Abbildung 3-2).

Die Druckknopfschutzkappen des Riegels so weit wie möglich aufschieben, auf den Knopf drücken, den Griff im Uhrzeigersinn drehen, bis der Riegel aufspringt, und dann die Tür öffnen.

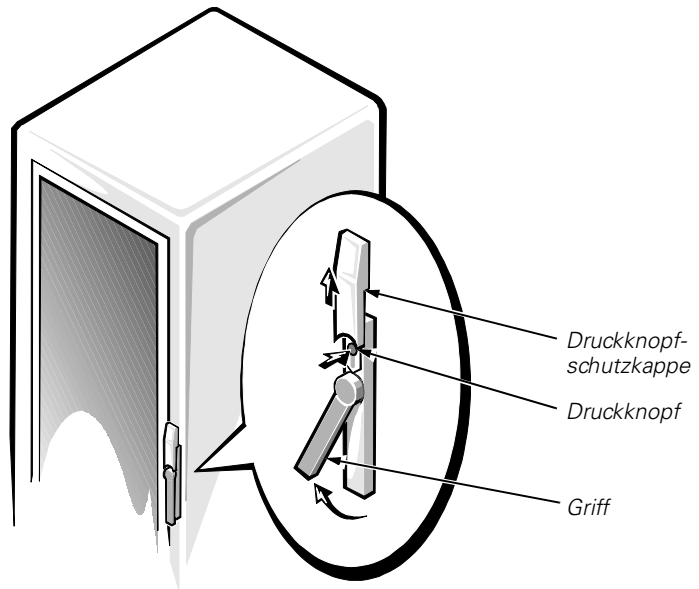


Abbildung 3-2. Den Türriegel öffnen

2. Die Vordertür entfernen (siehe Abbildung 3-3):
 - a. Um die Tür zu stabilisieren, sollte eine Person die Tür an der Oberkante festhalten. Die andere Person sollte die Tür an der Unterkante festhalten.
 - b. Die Person, die die untere Kante der Tür hält, sollte den Scharnierfreigabehebel des unteren Scharniers drücken und dann die untere Kante der Tür einige Zentimeter vom Rack wegziehen.
 - c. Die Person, die die obere Kante der Tür hält, sollte den Scharnierfreigabehebel des oberen Scharniers drücken und dann die obere Kante der Tür einige Zentimeter vom Rack wegziehen.

- Schritte 1 und 2 Wiederholen, um die hintere Tür des Rack abzunehmen.

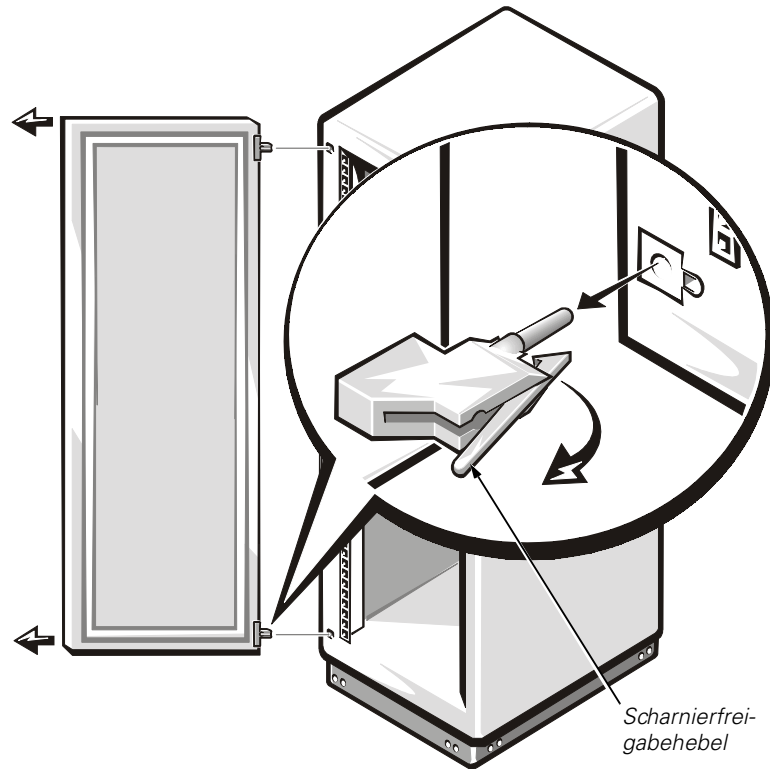


Abbildung 3-3. Racktüren entfernen

Die zwei Türen an einem Ort aufbewahren, an dem sie nicht umfallen können, während Sie den Schalter installieren.

Blendenposition justieren

Falls Sie den Schalter nicht in ein Dell-Rack einbauen, müssen Sie u.U. die Blendenposition neu justieren, damit sich die Türen korrekt schließen lassen (siehe Abbildung 3-4):

1. Die zwei 6-32 x 1/2-Zoll Flachkopfschrauben und die Montageklammer von einer Seite der Blende entfernen.
2. Die Blendennasen so ausrichten, daß die Löcher an der Vorderseite mit den Montagelöchern am Gehäuse übereinstimmen.
3. Die Montageklammer und die Schrauben wieder anbringen.
4. Schritte 1 bis 3 auf der anderen Seite der Blende wiederholen.

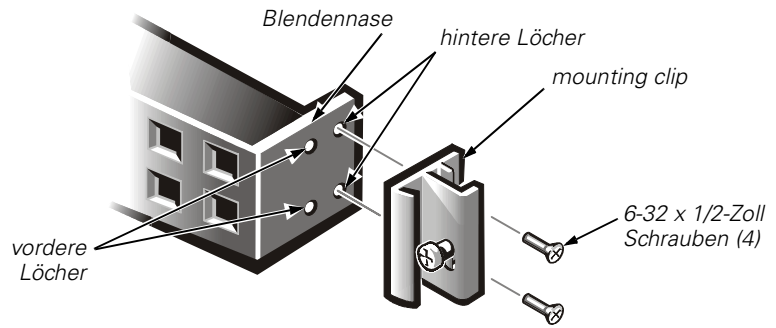


Abbildung 3-4. Blendenposition justieren

Schubmontagesatz installieren

Um den Schubmontagesatz zu installieren, die folgenden Schritte ausführen:

1. Die Löcher auf den starren und justierbaren Halterungen auf die Löcher der vertikalen Schiene ausrichten.

Die starren Halterungen werden an der Vorderseite des Racks angebracht, die justierbaren Halterungen an der Rückseite. Das oberste Loch jeder Halterung muß mit dem oberen Loch einer Einheit des EIA (Electronic Industries Association [Verband der elektronischen Industrie]) übereinstimmen, Das obere Loch einer EIA-Einheit ist mit einem Punkt gekennzeichnet (siehe Abbildung 3-5).



ANMERKUNG: Die Gleitschienen müssen innerhalb einer EIA-Einheit installiert werden. Die Höhe des Schalters entspricht einer EIA-Einheit.

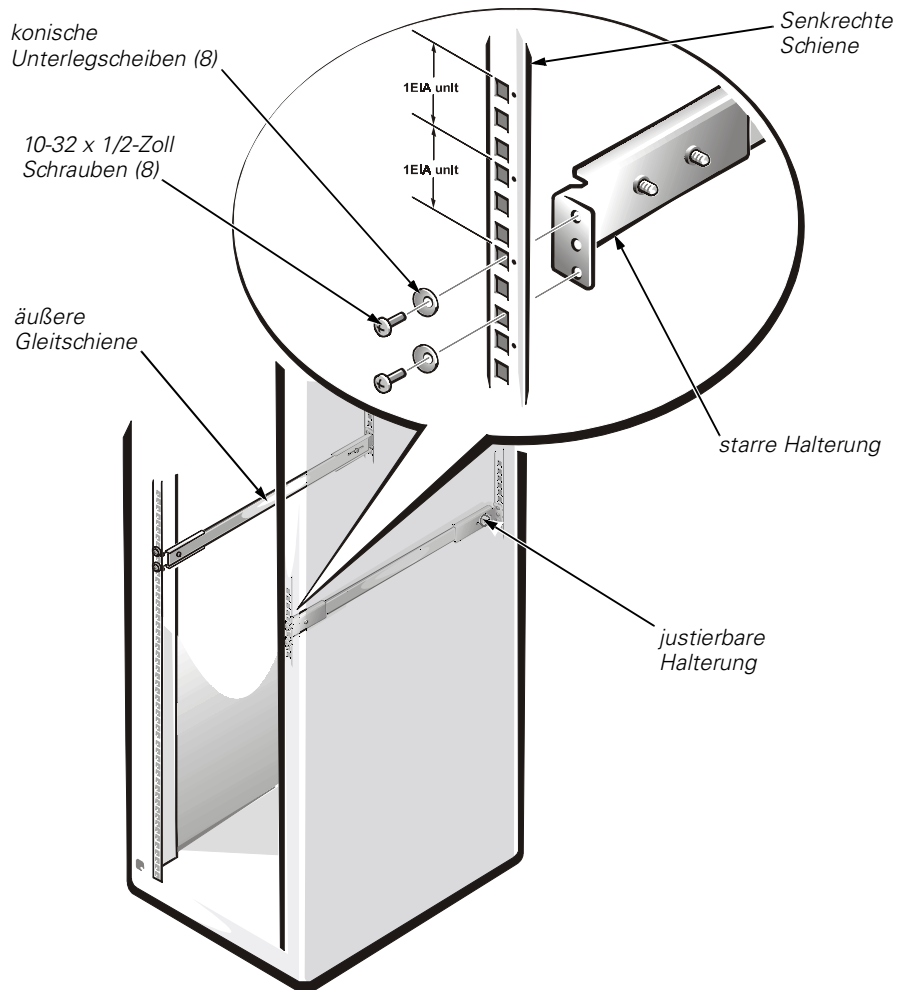


Abbildung 3-5. Schubmontagesatz im Rack installieren

2. Vier 10-32 x 1/2-Zoll Schrauben und vier konische Unterlegscheiben benutzen, wie in Abbildung 3-5 gezeigt.

Die Schrauben sind durch die Unterlegscheiben, die Schiene und in die oberen und unteren Löcher der Halterungen gesteckt und lassen die mittleren Löcher der Halterung offen.

3. Die Schrauben vollständig eindrehen und wieder ca. zwei Drehung herausdrehen.

Das Lockern des Schubmontagesatzes erleichtert das Ausrichten der Zwischenschienen und der inneren Gleitschienen.

Schalter in das Rack einbauen

Um den Schalter in das Rack einzubauen, die folgenden Schritte ausführen:

1. Beide Zwischenschienen nach vorne herausziehen, bis sie sich in vollständig ausgefahrener Position befinden.
2. An der Vorderseite des Racks die innere Gleitschiene des Schalters vorsichtig auf die Zwischenschienen ausrichten.

Die inneren Gleitschienen in die Zwischenschienen schieben, wie in Abbildung 3-6 gezeigt. Den grünen Knopf an der Außenseite der Zwischenschienen drücken, bis sich der Schalter in mittlerer Position befindet. Den grünen Knopf erneut drücken, sodaß der Schalter in seine entgültige Position gleitet und einrastet.

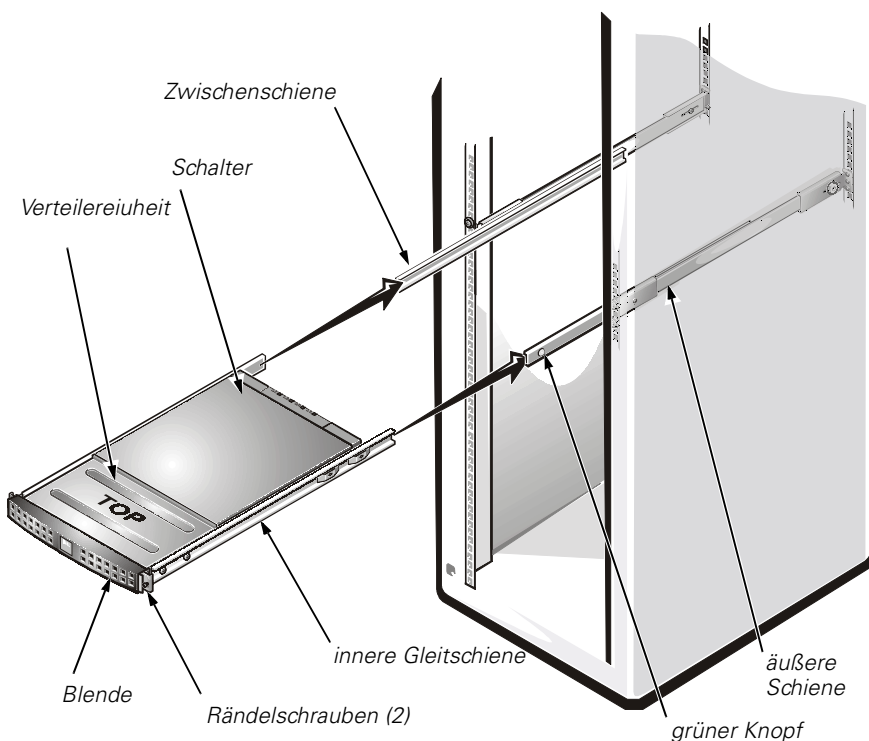


Abbildung 3-6. Schalter in das Rack einbauen

3. Sicherstellen, daß sich kein Zwischenraum zwischen dem Manifold und dem Schalter befindet.
4. Die acht 10-32 x 1/2-Zoll Schrauben, die die äußeren Schienen am Rack befestigen festdrehen.

5. Die zwei Rändelschrauben an der Blende festdrehen damit der Schalter und der Schubmontagesatz nicht aus dem Rack herausgleiten kann.

Die Rändelschrauben werden durch die Löcher im Rack und in die mittleren Löcher der starren Halterungen gesteckt.

Den Kabelführungsarm installieren

1. Von der Rückseite des Racks aus den Schalter ca. 7 Zentimeter (cm) herausziehen.

Der Schalter sollte einrasten.

2. Das Ende des Kabelführungsarms in an die inneren Gleitschienen anbringen indem die zwei Nasen in die zwei Schlitze gesteckt werden und die Halteklemme einrastet (siehe Abbildung 3-7).

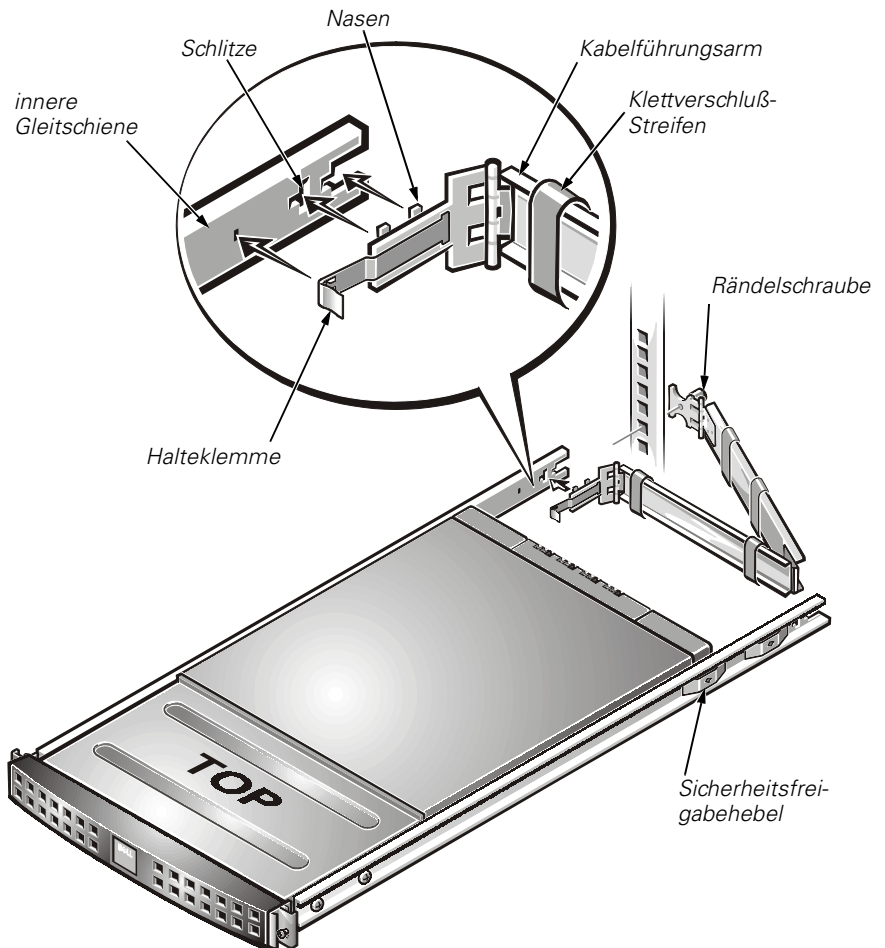


Abbildung 3-7. Kabelführungsarm installieren

3. Leiten Sie die Kabel entlang des Kabelführungsarms und befestigen Sie sie dort mit den am Kabelführungsarm angebrachten Klettverschlüssen.

Stellen Sie sicher, daß die Kabel nicht von den Gelenken des Kabelführungsarms eingeklemmt sind.

Um weitere Informationen über die Kabelverbindungen am Computer zu erfahren lesen Sie bitte Ihr *Installations- und Fehlerbeseitigungshandbuch*.

4. Die Sicherheitsfreigabehebel an der Innenseite der Gleitschienen drücken und den Schalter ins Rack zurückschieben bis er einrastet.

Stellen Sie sicher das die Oberfläche des Manifold mit der Oberfläche des Schalters eben ist.

5. Die Rändelschraube am Kabelführungsarm festziehen.

Die Rändelschraube paßt durch das Loch im Rack und durch das mittlere Loch der justierbaren Halterung.

Türen am Rack wieder anbringen

Um die Türen wieder am Rack anzubringen, den folgenden Schritten folgen.



VORSICHT: Um durch die Größe und das Gewicht der Türen verursachten Körperverletzungen vorzubeugen, sollten Sie nie versuchen, allein die Türen abzunehmen und wieder einzusetzen.

1. Die Vordertür in die richtige Position heben und die Scharniere auf die Löcher im Rack ausrichten (siehe Abbildung 3-3).
2. Schieben Sie die Scharniere in die Löcher des Racks, bis die Scharnierfreigabehebel die Scharniere in der richtigen Stellung einschnappen lassen.
3. Die Tür folgendermaßen schließen: Türriegels entgegen den Uhrzeigersinn drehen und drücken bis er einrastet. Danach die Knopfabdeckung über den Druckknopf schieben (siehe Abbildung 3-2).

Schritte 1 bis 3 wiederholen, um die rückseitige Tür zu installieren.



Dell™ PowerVault™ 51F
Interruptor de canal de fibra de 8 puertos

GUÍA DE INSTALACIÓN DEL ESTANTE

**La información contenida en este documento puede modificarse sin aviso previo.
© 1999 Dell Computer Corporation. Quedan reservados todos los derechos.**

Queda estrictamente prohibida la reproducción de este documento en cualquier forma sin la autorización por escrito de Dell Computer Corporation.

Marcas comerciales utilizadas en este texto: *Dell*, el logotipo *DELL*, *PowerEdge* y *PowerVault* son marcas comerciales de Dell Computer Corporation.

Otras marcas y otros nombres comerciales pueden utilizarse en este documento para hacer referencia a las entidades que los poseen o a sus productos. Dell Computer Corporation renuncia a cualquier interés sobre la propiedad de marcas y nombres comerciales que no sean los suyos.

Octubre de 1999 N/P 4939T Rev. A01



Instrucciones de seguridad

Observe las pautas de seguridad siguientes para garantizar su seguridad personal y para proteger su ordenador o sistema de almacenamiento contra un daño potencial.

Notas, avisos, precauciones y advertencias

A lo largo de esta guía, encontrará secciones de texto que pueden estar acompañadas por un icono e impresas en negritas o en *itálicas*. Estas secciones de texto son notas, avisos, precauciones y advertencias que se utilizan de la siguiente manera:



NOTA: Una NOTA indica información importante que le ayuda a utilizar su ordenador de mejor manera.

AVISO: Un AVISO indica la posibilidad de daños al hardware o pérdida de datos y le explica cómo evitar el problema.



PRECAUCIÓN: Una PRECAUCIÓN indica una situación de peligro potencial que, si no se evita, puede causar lesiones menores o moderadas.



ADVERTENCIA: Una ADVERTENCIA indica una situación de peligro potencial que, si no se evita, puede causar la muerte o serias lesiones físicas.



Precauciones y advertencias de seguridad

Observe las siguientes precauciones y advertencias mientras le da servicio a este sistema:

PRECAUCIÓN: Existe el peligro de que una nueva batería explote si se instala incorrectamente. Reemplace la batería únicamente con otra del mismo tipo o su equivalente recomendado por el fabricante. Deseche las baterías agotadas de acuerdo con las instrucciones del fabricante.

ADVERTENCIA: Las fuentes de alimentación en su ordenador o sistema de almacenamiento pueden producir altos voltajes y peligros de energía, los cuales pueden ocasionar una lesión física. Únicamente los técnicos de servicio capacitados están autorizados para desmontar las cubiertas del ordenador con el fin de tener acceso a los componentes en el interior. Esta

advertencia se aplica a los servidores Dell PowerEdge 4xxx o posteriores y a los sistemas de almacenamiento Dell PowerVault 20xS.

ADVERTENCIA: Es posible que este ordenador tenga más de un cable de la fuente de alimentación. Para reducir el riesgo de recibir un choque eléctrico, un técnico capacitado de servicio debe desconectar todos los cables de la fuente de alimentación antes de dar servicio al sistema.

DŮLEŽITÉ UPOZORNĚNÍ: Tento systém může mít více napájecích kabelů. Ke snížení rizika úrazu elektrickým proudem je nutné, aby školený servisní technik před prováděním servisu systému odpojil všechny napájecí kabely.

ADVARSEL: Dette system kan have mere end et strømforlyningskabel. For at reducere risikoen for elektrisk stød, bør en professionel servicetekniker frakoble alle strømforlyningskabler, før systemet serviceres.

VAROITUS: Tässä järjestelmässä voi olla useampi kuin yksi virtajohto. Sähköiskuvaaran pienentämiseksi ammattitaitoisen huoltohenkilön on irrotettava kaikki virtajohtdot ennen järjestelmän huoltamista.

ПРЕДУПРЕЖДЕНИЕ: Данная система может иметь несколько кабелей электропитания. Во избежание электрического удара квалифицированный техник должен отключить все кабели электропитания прежде, чем приступить к обслуживанию системы.

OSTRZEŻENIE: System ten może mieć więcej niż jeden kabel zasilania. Aby zmniejszyć ryzyko porażenia prądem, przed naprawą lub konserwacją systemu wszystkie kable zasilania powinny być odłączone przez przeszkolonego technika obsługi.

ADVARSEL! Det er mulig at dette systemet har mer enn én strømledning. Unngå fare for stød: En erfaren servicetekniker må koble fra alle strømledninger før det utføres service på systemet.

WARNING: Detta system kan ha flera nätkablar. En behörig servicetekniker måste koppla loss alla nätkablar innan service utförs för att minska risken för elektriska stötar.



Precauciones adicionales de seguridad

Para reducir el riesgo de lesiones personales, choque eléctrico, incendio y daños a la propiedad, observe las precauciones a continuación.

Precauciones generales

Observe las precauciones generales siguientes para usar y trabajar con su sistema:

- Observe y siga las marcas de servicio. No de servicio a los productos Dell excepto siguiendo las explicaciones en su documentación del sistema Dell. Abrir o retirar las cubiertas que están marcadas con un símbolo triangular con un rayo puede exponerlo a un choque eléctrico. Los componentes dentro de estos compartimentos deben recibir servicio por un técnico de servicio autorizado de Dell.

- Si ocurre alguna de las condiciones siguientes, desenchufe el producto del toma-corriente y reemplace la pieza o póngase en contacto con su proveedor de servicio autorizado Dell:
 - El cable de alimentación, cable de extensión o enchufe está dañado.
 - Ha caído un objeto en el aparato.
 - El aparato ha estado en contacto con el agua.
 - El aparato se ha caído o se ha dañado.
 - El aparato no funciona correctamente cuando sigue las instrucciones de operación.
- Mantenga los componentes del sistema alejados de radiadores y fuentes de calor. Asimismo, no obstruya las rendijas de ventilación.
- No derrame alimentos ni líquidos sobre los componentes de su sistema y nunca opere el producto en un ambiente húmedo. Si se moja el ordenador, consulte el capítulo apropiado en su guía de solución de problemas o pongase en contacto con un proveedor de servicio autorizado de Dell.
- No introduzca ningún objeto por las aberturas de los componentes del ordenador. Puede ocasionar un incendio o sufrir un choque eléctrico al provocar un cortocircuito entre los componentes internos.
- Use el producto sólo con productos Dell u otros equipos aprobados por Dell.
- Permita que se enfríe el producto antes de retirar las cubiertas o tocar los componentes internos.
- Use la fuente de alimentación externa correcta. Opere el producto sólo desde el tipo de fuente de alimentación indicado en la etiqueta de valores nominales. Si no está seguro del tipo de fuente de alimentación requerido, consulte con su proveedor de servicio Dell o con la compañía de energía local.
- Con el fin de evitar dañar los componentes del ordenador, asegúrese de que el interruptor de selección de voltaje (si está disponible) de la fuente de alimentación esté colocado de manera que coincida con la alimentación de corriente alterna (CA) disponible en su área:
 - 115 voltios (V)/60 hertzios (Hz) en la mayor parte de Norteamérica y Sudamérica y en algunos países del Lejano Oriente, como Corea del Sur y Taiwán
 - 100 V/50 Hz en el este de Japón y 100 V/60 Hz en el oeste de Japón
 - 230 V/50 Hz en la mayor parte de Europa, el Medio Oriente y el Lejano Oriente

Asimismo, asegúrese de que el monitor y los dispositivos conectados al ordenador estén clasificados eléctricamente para funcionar con la alimentación disponible en su área.

- Use sólo cable o cables de alimentación aprobados. Si no se le ha suministrado un cable de alimentación para su ordenador o sistema de almacenamiento o para cualquier opción con alimentación de CA para usar con su sistema, compre un

cable de alimentación que esté aprobado para el uso en su país. El cable de alimentación debe tener valor nominal para el producto y para el voltaje y corriente marcada en la etiqueta de los valores nominales eléctricos del producto. El valor nominal de voltaje y corriente del cable debe ser mayor que los valores nominales marcados en el producto.

- Con el fin de prevenir un choque eléctrico, enchufe los cables de alimentación de los componentes y de los periféricos del ordenador a contactos eléctricos con conexión a tierra. Estos cables cuentan con enchufes de tres clavijas para asegurar una conexión adecuada a tierra. No utilice enchufes adaptadores ni retire la clavija de conexión a tierra de ningún cable. Si necesita utilizar un cable de extensión, utilice un cable de tres líneas con enchufes adecuadamente conectados a tierra.
- Observe los valores nominales del cable de extensión y la tira de alimentación. Asegúrese que el valor nominal del amperaje total de todos los productos enchufados en el cable de extensión o tira de alimentación no sobrepase el 80 por ciento del límite nominal del amperaje del cable de extensión o tira de alimentación.
- No use aparatos o convertidores de voltaje ni juegos vendidos para aparatos con su producto Dell.
- Para proteger los componentes de su ordenador contra cambios repentinos en la alimentación eléctrica, utilice un supresor de sobrevoltajes, un acondicionador de línea o una UPS (Uninterruptible power supply [Fuente de alimentación ininterrumpida]).
- Coloque cuidadosamente los cables y cables de alimentación, guíe los cables y el cable de alimentación y enchufe de manera que no puedan ser pisados ni se pueda tropezar en ellos. Asegúrese que nada quede sobre el o los cables de alimentación de los componentes del sistema.
- No modifique los cables de alimentación ni enchufes. Consulte con un electricista con licencia o con su compañía de energía para hacer modificaciones al lugar. Siempre siga sus reglas de cableaje local y nacional.
- Para ayudar a evitar posibles daños a la placa base, espere 5 segundos después de apagar el sistema antes de retirar un componente de la placa base o desconectar un dispositivo periférico del ordenador.
- Manipule cuidadosamente las baterías. No desensamble, triture, perfore, haga corto circuito con los contactos externos, deseche en fuego ni agua, ni exponga a temperaturas mayores de 60 grados Celsius (140 grados Fahrenheit) a las baterías. No intente abrir ni dar servicio a las baterías; reemplace las baterías sólo con baterías designadas para el producto.
- Baje el volumen antes de usar audífonos u otros dispositivos de audio.

Precauciones para el servidor y sistemas de almacenamiento

Observe las pautas de seguridad adicionales para su sistema siguientes:

- A menos que su documentación de instalación y/o solución de problemas lo permita específicamente, no retire las cubiertas del gabinete, intente pasar por alto los enclavamientos de seguridad ni acceda a ninguno de los componentes dentro del sistema. Dependiendo de su sistema, la instalación y reparaciones pueden realizarse sólo por personas que estén calificadas para dar servicio a su ordenador o equipo de sistema de almacenamiento y entrenadas para tratar con productos capaces de producir niveles de energía peligrosos.
- Cuando conecte o desconecte la alimentación a suministros de alimentación de acoplamiento activo, si se ofrece con su producto Dell, acate las pautas siguientes:
 - Instale la fuente de alimentación antes de conectar el cable de alimentación al suministro de alimentación.
 - Desenchufe el cable de alimentación antes de retirar el suministro de alimentación.
 - Si el sistema tiene múltiples fuentes de alimentación, desconecte la alimentación del sistema desenchufando *todos* los cables de alimentación de los suministros de alimentación.
- Traslade los productos con cuidado; asegúrese que todas las ruedas y/o estabilizadores estén firmemente conectados al ordenador o sistema de almacenamiento. Evite las detenciones repentinas y las superficies disparejas.

Precauciones para los productos montables en estante

Observe las precauciones siguientes para la estabilidad y seguridad del estante. Consulte también la documentación de instalación del estante que acompaña al sistema y al estante para advertencias específicas y/o declaraciones y procedimientos de precaución.



ADVERTENCIA: La instalación de componentes de sistema Dell en un estante de Dell sin los estabilizadores anteriores y laterales puede ocasionar que se vuelque el estante, lo que potencialmente se traduce en lesiones físicas en ciertas circunstancias. Por lo tanto, siempre instale los estabilizadores antes de instalar componentes en el estante.

Después de instalar los componentes del sistema en un estante, nunca tire más de un componente a la vez fuera del estante sobre sus ensamblajes de deslizamiento. El peso de más de un componente extraído podría ocasionar que se vuelque el estante y lesione a alguna persona.



NOTA: Los sistemas servidores y de almacenamiento de Dell son certificados como componentes de utilización en el gabinete del estante de Dell con el kit de estante de clientes de Dell. La instalación final de sistemas Dell y paquetes de estantes en cualquier otra marca de gabinete de estante no ha sido aprobada por ninguna agencia de

seguridad. Es la responsabilidad del cliente solicitar a una agencia de seguridad certificada que evalúe la combinación final de sistemas Dell y paquetes de estantes para ser utilizados en otras marcas de gabinetes de estantes.

- Los paquetes de estantes de sistemas están diseñados para instalarse en un estante Dell por técnicos capacitados de servicio. Si instala el paquete en cualquier otro estante, verifique que el estante cumpla con las especificaciones de un estante de Dell.
- No mueva los estantes grandes por sí mismo. Debido a la altura y peso del estante, Dell recomienda un mínimo de dos personas para realizar esta tarea.
- Antes de trabajar en el estante, asegúrese que los estabilizadores estén asegurados al estante, lleguen hasta el piso y que el peso completo del estante descansa sobre el piso. Instale los estabilizadores frontales y laterales en un estante independiente o los estabilizadores frontales para estantes múltiples unidos antes de trabajar en el estante.
- Siempre cargue el estante desde abajo hacia arriba y cargue los artículos más pesados primero en el estante.
- Asegúrese que el estante esté nivelado y estable antes de extender un componente desde el estante.
- Extienda sólo un componente a la vez desde el estante.
- Sea cuidadoso cuando esté presionando los aseguradores de liberación del riel del componente y deslizando un componente hacia adentro o afuera del estante; los rieles laterales le pueden comprimir sus dedos.
- Después que se ha insertado un componente en el estante, extienda cuidadosamente el riel hacia una posición de bloqueo y luego deslice el componente en el estante.
- No sobrecargue el circuito ramal de suministro de CA que proporciona alimentación al estante. La carga total del estante no debe sobrepasar el 80 por ciento del valor nominal del circuito ramal.
- Asegúrese de proporcionar el flujo de aire adecuado para los componentes del estante.
- No pise ni se pare sobre ninguno de los sistemas o componentes cuando esté dando servicio a otros sistemas o componentes en un estante.

Precauciones para productos con opciones de módems, telecomunicaciones o red de área local

Observe las siguientes pautas cuando esté trabajando con opciones:

- No conecte ni use un módem o teléfono durante una tormenta eléctrica. Puede existir el riesgo de choque eléctrico de los rayos.
- Nunca conecte ni use un módem ni teléfono en un ambiente húmedo.
- No enchufe un módem ni cable de teléfono en el receptáculo del NIC (Network Interface Controller [controlador de interface de red]).

- Desconecte el cable del módem antes de abrir un gabinete de producto, tocar o instalar componentes internos o tocar un cable o enchufe de módem no aislado.
- No use una línea telefónica para informar de un escape de gas mientras está en las cercanías de la fuga.

Precauciones para productos con dispositivos láser

Observe las siguientes precauciones para los dispositivos láser:

- No abra paneles, opere controles, haga ajustes ni realice procedimientos en un dispositivo láser que no sean los especificados en la documentación del producto.
- Sólo los técnicos de servicio autorizados deben reparar los dispositivos láser.

Al trabajar en el interior de su ordenador

Antes de desmontar la cubierta del ordenador, realice los pasos siguientes en la secuencia indicada.

AVISO: Algunos sistemas Dell pueden recibir servicio únicamente por técnicos de servicio entrenados debido a los altos voltajes y a los peligros de energía. No intente revisar el ordenador, a excepción de lo que se explica en esta guía y en otros documentos de Dell. Siga siempre las instrucciones de instalación y servicio al pie de la letra.

AVISO: Para ayudar a evitar posibles daños a la placa base, espere 5 segundos después de apagar el sistema antes de retirar un componente de la placa base o desconectar un dispositivo periférico del ordenador.

1. Apague su ordenador y los periféricos.
2. Conéctese a tierra tocando una superficie metálica sin pintura en el chasis, tal como el metal alrededor de las aberturas de ranuras para tarjetas en la parte posterior del ordenador, antes de tocar algún objeto dentro de su ordenador.

Conforme trabaje, toque periódicamente una superficie metálica sin pintura en el chasis del ordenador para disipar la electricidad estática que podría dañar los componentes internos.

3. Desconecte su ordenador y los dispositivos de sus fuentes de alimentación. Asimismo, desconecte del ordenador las líneas telefónicas o de telecomunicaciones.

Al hacerlo, reduce la posibilidad de lesiones físicas o choques eléctricos.

Además de lo anterior, tenga en cuenta las pautas de seguridad siguientes cuando sea pertinente:

- Cuando desconecte un cable, tire de su conector o de su lazo liberador de tensión, y no del cable mismo. Algunos cables cuentan con un conector que tiene lengüetas de seguro. Si está desconectando un cable de este tipo, oprima las

lengüetas de seguro antes de desconectar el cable. Cuando separe conectores, manténgalos alineados para evitar doblar las patas de conexión. Asimismo, antes de conectar un cable, asegúrese de que los conectores estén orientados y alineados correctamente.

- Maneje con cuidado los componentes y las tarjetas. No toque los componentes ni los contactos de las tarjetas. Sostenga las tarjetas por sus bordes o por su soporte metálico de montaje. Sostenga componentes como un chip de microprocesador por sus bordes y no por sus patas.



PRECAUCIÓN: Existe el peligro de que una nueva batería explote si se instala incorrectamente. Reemplace la batería únicamente con otra del mismo tipo o su equivalente recomendado por el fabricante. Deseche las baterías agotadas de acuerdo con las instrucciones del fabricante.

Protección contra descargas electrostáticas

La electricidad estática puede dañar componentes delicados dentro de su ordenador. Para prevenir un daño electrostático, descargue la electricidad estática de su cuerpo antes de tocar cualquier componente electrónico de su ordenador, como el microprocesador. Puede hacer esto tocando una superficie metálica sin pintura en el chasis del ordenador.

Conforme continúe trabajando en el interior del ordenador, toque periódicamente una superficie metálica sin pintura para disipar cualquier carga estática que su cuerpo haya acumulado.

Usted también puede realizar los pasos siguientes para prevenir un daño por ESD (Electrostatic discharge [descargas electrostáticas]):

- Al desembalar un componente sensible a la electricidad estática, no retire el envoltorio antiestático del componente hasta que esté listo para instalarlo en el ordenador. Justo antes de retirar el envoltorio antiestático, asegúrese de descargar la electricidad estática de su cuerpo.
- Al trasladar un componente sensible a la electricidad estática, colóquelo primero en un recipiente o envoltorio antiestático.
- Maneje todos los componentes sensibles a la electricidad estática en un área libre de electricidad estática. Si es posible, utilice tapetes antiestáticos sobre el piso y sobre la mesa.

El aviso siguiente aparece a lo largo de este documento para recordarle estas precauciones:

AVISO: Lea la sección “Protección contra descargas electrostáticas” en las instrucciones de seguridad al principio de esta guía.

Hábitos de ergonomía con su ordenador



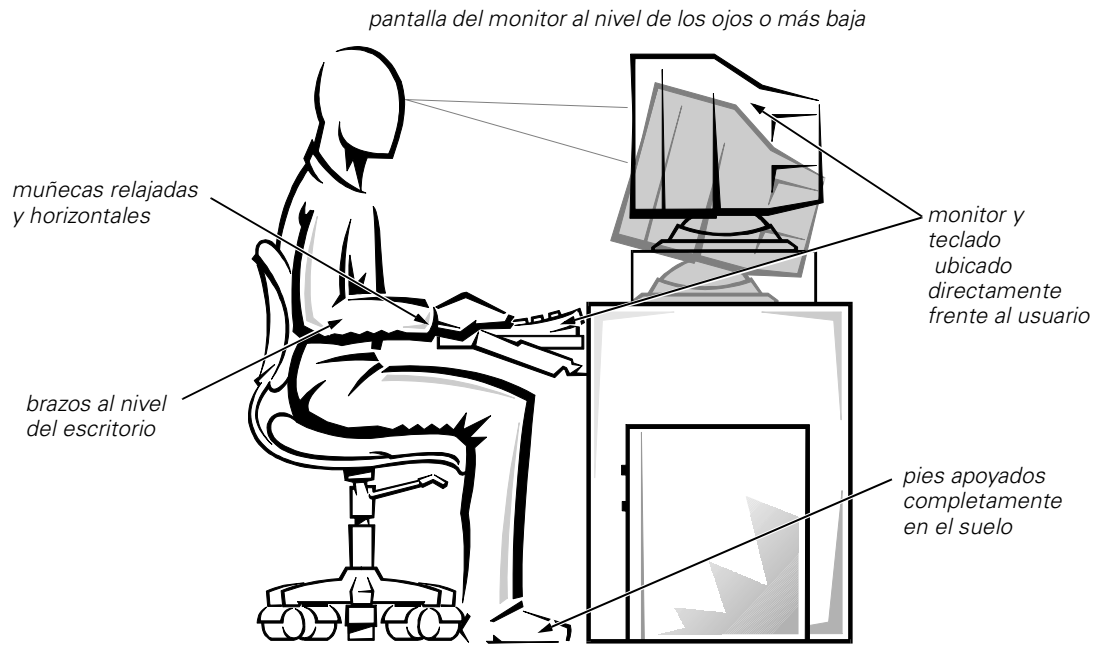
PRECAUCIÓN: La utilización inapropiada o prolongada del teclado puede ocasionarle una lesión.



PRECAUCIÓN: Si mira la pantalla del monitor durante períodos extensos puede dañar sus ojos.

Para su comodidad y eficiencia, observe las siguientes pautas ergonómicas al configurar y usar el ordenador:

- Coloque su ordenador de manera que el monitor y el teclado queden directamente frente a usted cuando trabaje. Existen unos estantes especiales (ofrecidos por Dell y otros fabricantes) para ayudarle a colocar correctamente su teclado.
- Coloque la pantalla del monitor a una distancia cómoda (generalmente entre 510 y 610 milímetros [entre 20 y 24 pulgadas] de sus ojos).
- Asegúrese de que la pantalla del monitor quede al nivel de los ojos o ligeramente más baja cuando usted se encuentre sentado frente al monitor.
- Ajuste la inclinación del monitor, los controles de contraste y brillo y la iluminación a su alrededor (como las luces de techo, las lámparas de escritorio y las cortinas o persianas de ventanas cercanas) para minimizar los reflejos y el resplandor en la pantalla del monitor.
- Utilice una silla que proporcione un buen soporte para su espalda.
- Mantenga los antebrazos en posición horizontal con sus muñecas en una posición relajada y cómoda mientras utilice el teclado, el trackball o un ratón externo.
- Deje siempre un espacio en donde apoyar sus manos mientras utilice el teclado o el ratón.
- Deje que la parte superior de sus brazos cuelgue naturalmente a los lados.
- Siéntese con la espalda recta, con los pies apoyados en el suelo y los muslos horizontales.
- Cuando esté sentado, asegúrese de que el peso de sus piernas recaiga en sus pies y no en la parte anterior del asiento de la silla. Ajuste la altura del asiento de la silla o utilice un apoyo para pies, si resulta necesario, para mantener una postura correcta.
- Varíe sus actividades de trabajo. Trate de organizar su trabajo de manera que no tenga que teclear durante períodos extendidos sin interrupción. Cuando deje de teclear, trate de realizar actividades en las que tenga que utilizar las dos manos.





Contenido

Antes de comenzar	4-1
Herramientas recomendadas	4-1
Instalación del interruptor	4-2
Retiro de las puertas del estante	4-3
Ajuste de la posición del bisel	4-4
Instalación de los ensamblajes de deslizadores	4-5
Instalación del interruptor en el estante	4-7
Instalación del brazo para administración de cables	4-8
Monto de las puertas en el estante	4-10

Figuras

Figura 4-1. Contenido del paquete del estante	4-2
Figura 4-2. Apertura del pestillo en la puerta	4-3
Figura 4-3. Desmontaje de las puertas del estante	4-4
Figura 4-4. Ajuste de la posición del bisel	4-5
Figura 4-5. Instalación de los ensamblajes de deslizadores en el estante.	4-6
Figura 4-6. Instalación del interruptor en el estante.	4-7
Figura 4-7. Instalación del brazo para la administración de cables.	4-9



Dell™ PowerVault™ 51F Guía de instalación del estante para el interruptor de canal de fibra de 8 puertos

Este documento provee instrucciones para técnicos de servicio entrenados para la instalación de uno o más interruptores de canal de fibra Dell™ PowerVault™ 51F en un estante Dell. Los accesorios de montaje para el interruptor estante incluyen los siguientes artículos (consulte la Figura 4-1):

- Un ensamblaje de interruptor, que consiste en un tubo múltiple con un bisel incluido, dos carriles de deslizador interno, y el interruptor
- Un ensamblaje deslizable, consistente de dos deslizadores externos, cada uno con un soporte deslizable y ajustable, y dos deslizadores intermedios
- Un brazo para administración de cables
- Ocho tornillos de medida 10-32 x 0,5 pulgada
- Ocho arandelas cónicas

Las siguientes secciones describen las tareas requeridas para la instalación del interruptor PowerVault 51F en un estante Dell.

Antes de comenzar

Antes de instalar su interruptor PowerVault 51F en el estante, lea la información de seguridad al principio de ésta guía y los requerimientos de herramienta en la siguiente subsección.

Herramientas recomendadas

Para instalar el interruptor PowerVault 51F, use un destornillador Phillips número 2 y un destornillador de cabeza plana.

Instalación del interruptor

Para instalar el interruptor en el estante, realice los pasos siguientes. En los apartados siguientes se proporcionan instrucciones para realizar estas tareas.

1. Retire las puertas del estante, si es necesario.
2. Instale el ensamblaje deslizante.
3. Instale el ensamblaje del interruptor.
4. Instale el brazo para la administración de cables y dirija los cables.
5. Reemplace las puertas del estante si las quitó.

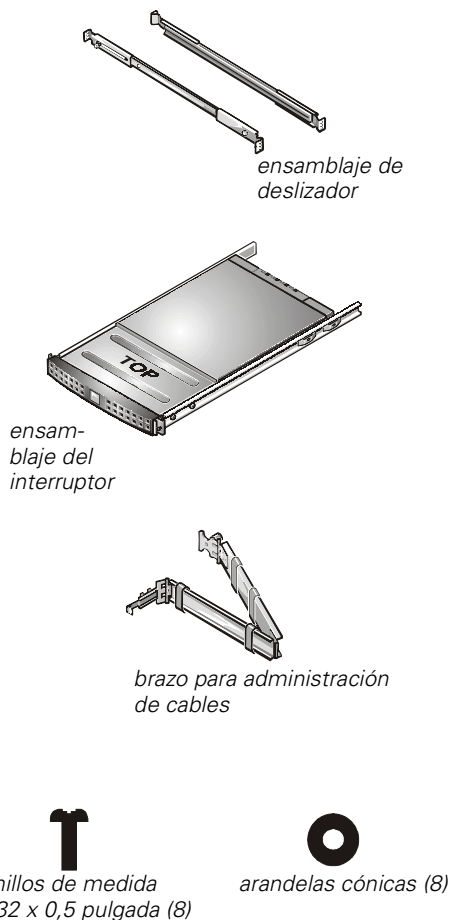


Figura 4-1. Contenido del paquete del estante

Retiro de las puertas del estante

Se pueden retirar las puertas delanteras y traseras del estante para dar acceso al interior del estante y para prevenir daño a las puertas al instalar el paquete. Use el siguiente procedimiento para desmontar las puertas.



PRECAUCIÓN: Para prevenir lesiones físicas debidas al tamaño y al peso de las puertas, nunca intente desmontar o montar las puertas sin la ayuda de otra persona.

1. Abra el seguro en la puerta anterior (consulte la Figura 4-2).

Deslice hacia arriba tanto como pueda la cubierta del botón de presión del seguro, oprima el botón de presión, gire la manija en el sentido de las manecillas del reloj hasta que se libere el seguro y después jale la puerta para abrirla.

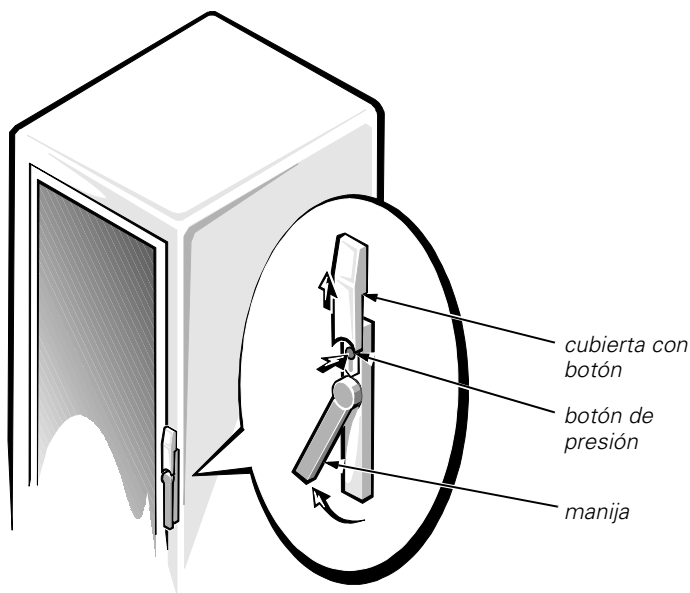


Figura 4-2. Apertura del pestillo en la puerta

2. Desmonte la puerta delantera (consulte la Figura 4-3):
 - a. Una persona debe tomar la parte superior de la puerta para estabilizarla. La otra persona debe tomar la parte inferior de la puerta.
 - b. La persona que sujeta la parte inferior de la puerta debe oprimir la palanca de desenganche de la bisagra inferior y entonces jalar la parte inferior de la puerta unas pulgadas hacia afuera del estante.
 - c. La persona que sujeta la parte superior de la puerta debe oprimir la palanca de desenganche de la bisagra superior y entonces jalar la puerta hacia afuera del estante.

3. Repita los pasos 1 y 2 para desmontar la puerta posterior del estante.

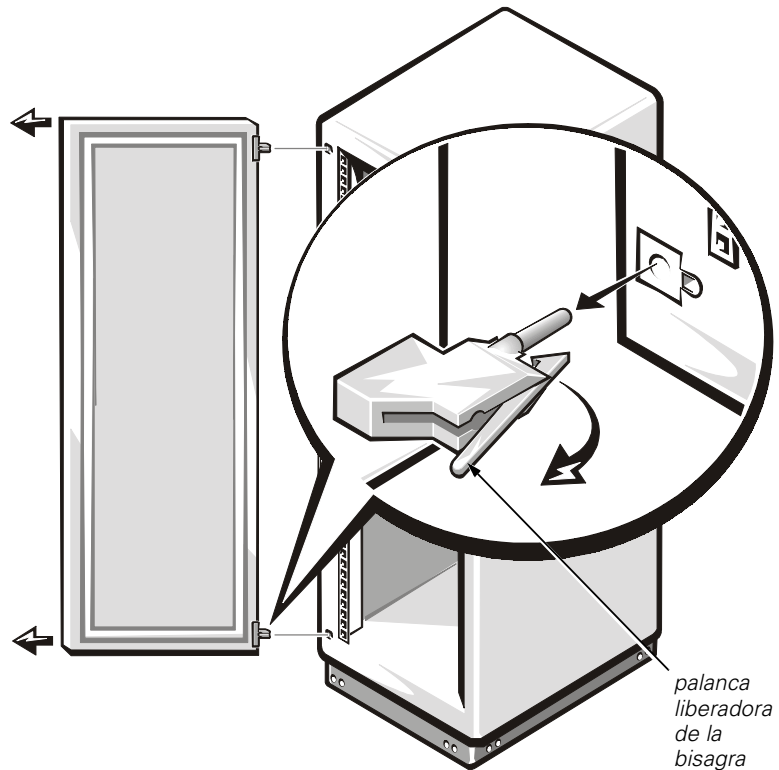


Figura 4-3. Desmontaje de las puertas del estante

Ponga las puertas en un área donde no puedan caerse mientras instala el interruptor.

Ajuste de la posición del bisel

Si instala el interruptor en un estante que no sea de Dell, podrá necesitar ajustar la posición del bisel para permitir que las puertas del estante cierren adecuadamente. Para ajustar la posición del bisel, ejecute los siguientes pasos (consulte la Figura 4-4):

1. Retire los dos tornillos de cabeza plana de 6-32 x 1/2 pulgadas y el sujetador de montaje de un lado del bisel.
2. Ajuste la lengüeta del bisel de manera que los agujeros frontales estén alineados con los agujeros de montaje del tubo múltiple.
3. Reemplaze el sujetador de montaje y los tornillos.
4. Repita los pasos del 1 al 3 en el otro lado del bisel.

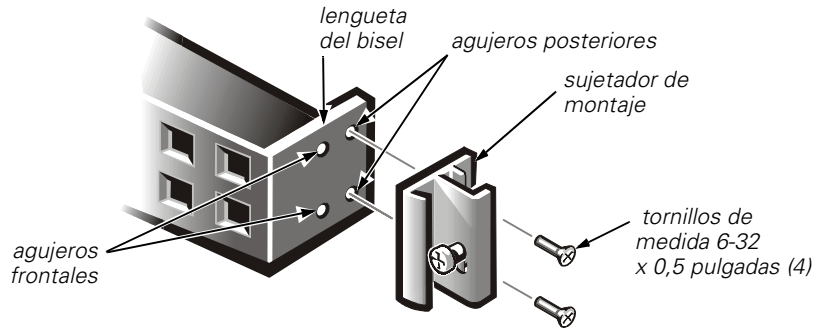


Figura 4-4. Ajuste de la posición del bisel

Instalación de los ensamblajes de deslizadores

Realice el procedimiento siguiente para instalar los ensamblajes de deslizadores en el estante:

1. Alinee los agujeros de los soportes estacionarios y ajustables con los agujeros del carril vertical.

Los soportes estacionarios se ponen en la parte de enfrente del estante. Los soportes ajustables se ponen en la parte trasera. El agujero de arriba de cada soporte debe alinearse con el agujero de arriba de una unidad Electronic Industries Association (EIA) en el estante. El agujero de arriba de una unidad EIA tiene un punto a su lado (consulte la Figura 4-5).



NOTA: Los deslizadores deben instalarse dentro de una unidad EIA. La altura del interruptor lleva una unidad EIA.

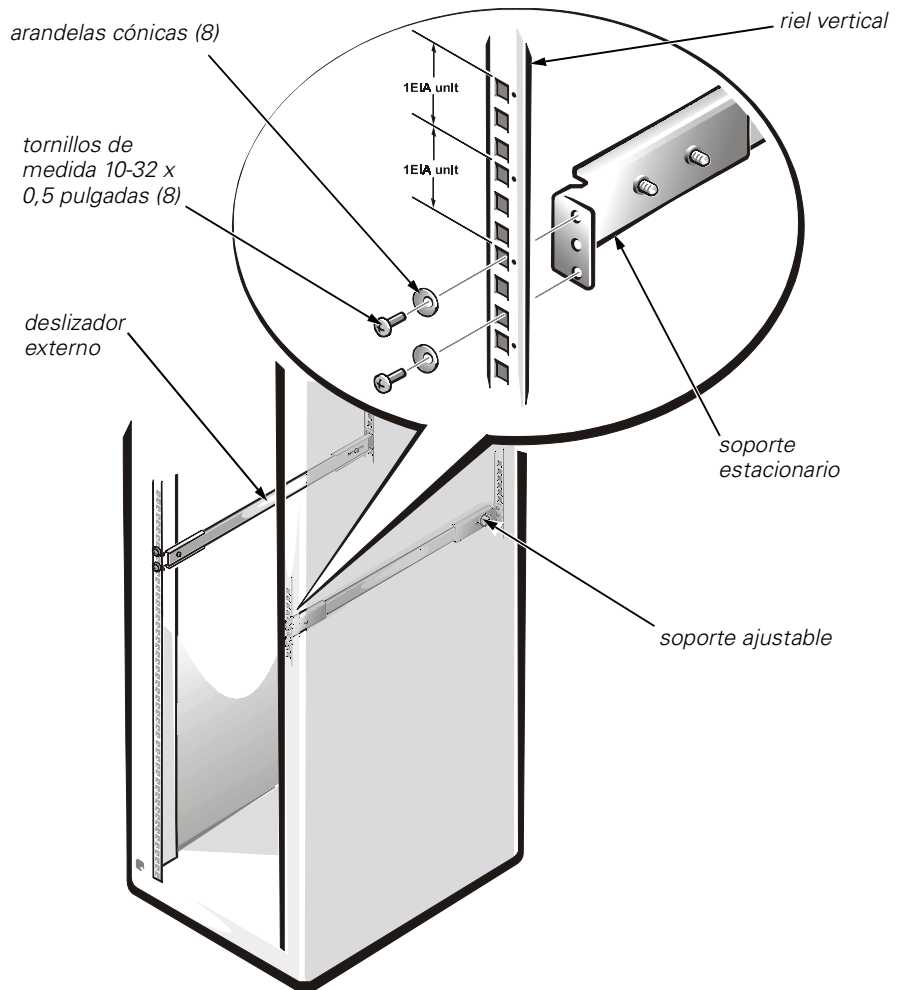


Figura 4-5. Instalación de los ensamblajes de deslizadores en el estante.

2. Use cuatro tornillos de medida 10-32 x 1/2 pulgadas y cuatro arandelas cónicas para instalar cada deslizador externo en el estante, como se muestra en la Figura 4-5.

Los tornillos se enroscan a través de las arandelas, el carril, y a los agujeros superiores e inferiores de los soportes, dejando abiertos los agujeros del soporte de en medio.

3. Apriete completamente los tornillos y después regréselos dos vueltas.

Dejar suelto el ensamblaje deslizante facilita la alineación de los deslizadores intermedios y los interiores.

Instalación del interruptor en el estante

Para instalar el interruptor en el estante, realice los siguientes pasos:

1. Extienda ambos deslizadores intermedios hacia el frente hasta que se aseguren en la posición extendida.
2. En la parte posterior del estante, cuidadosamente alinee los carriles de deslizamiento internos del interruptor con los deslizadores intermedios.

Deslice los carriles de deslizamiento internos dentro de los deslizadores intermedios, como se muestra en la Figura 4-6. Oprima el botón verde afuera de cada deslizador intermedio para que el interruptor se deslice a la posición intermedia. Oprima el botón verde nuevamente para que el interruptor se deslice a su posición final y se bloquee en su lugar.

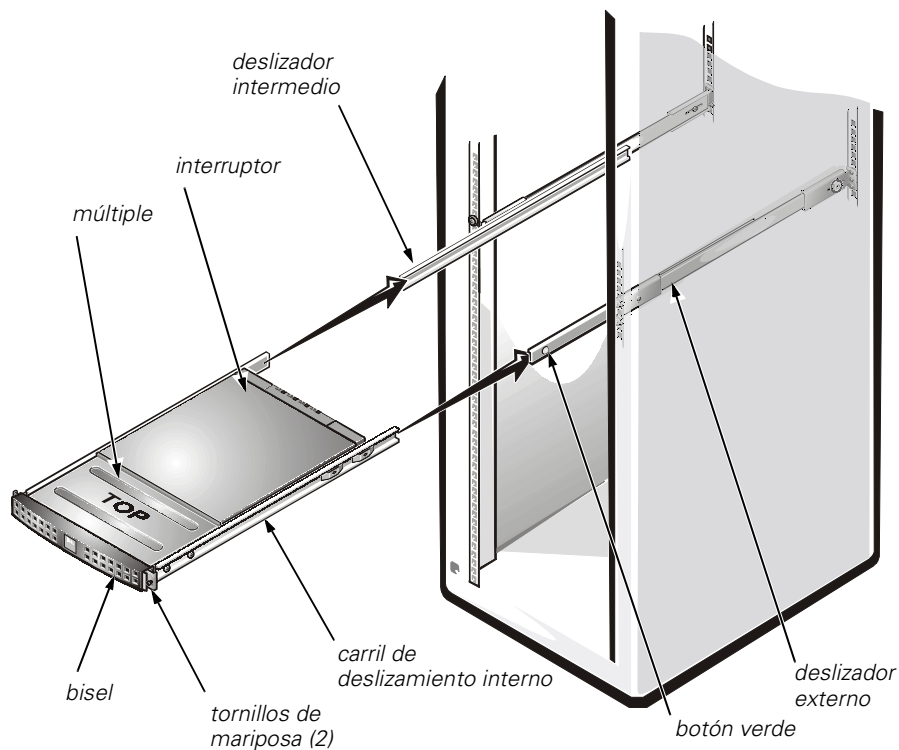


Figura 4-6. Instalación del interruptor en el estante

3. Asegúrese de que no exista un espacio entre el múltiple y el interruptor.
4. Apriete los ocho tornillos de medida 10-32 x 1/2 pulgadas que unen los deslizadores externos con el estante.

5. Apriete los dos tornillos de mariposa en el bisel para prevenir que el interruptor y el ensamblaje deslizante se deslicen hacia afuera del estante.

Los tornillos de mariposa pasan a través de los agujeros del estante y dentro de los agujeros intermedios de los soportes estacionarios.

Instalación del brazo para administración de cables

1. Por la parte trasera del estante, jale el interruptor unos 7 centímetros (cm) (aproximadamente 3 pulgadas) hacia afuera.

El interruptor debe bloquearse en la posición adecuada.

2. Una el extremo del brazo para la administración de cables al carril de deslizamiento interno insertando las dos lengüetas en las dos ranuras hasta que oiga el chasquido que indica que el sujetador está en su lugar (consulte la Figura 4-7).

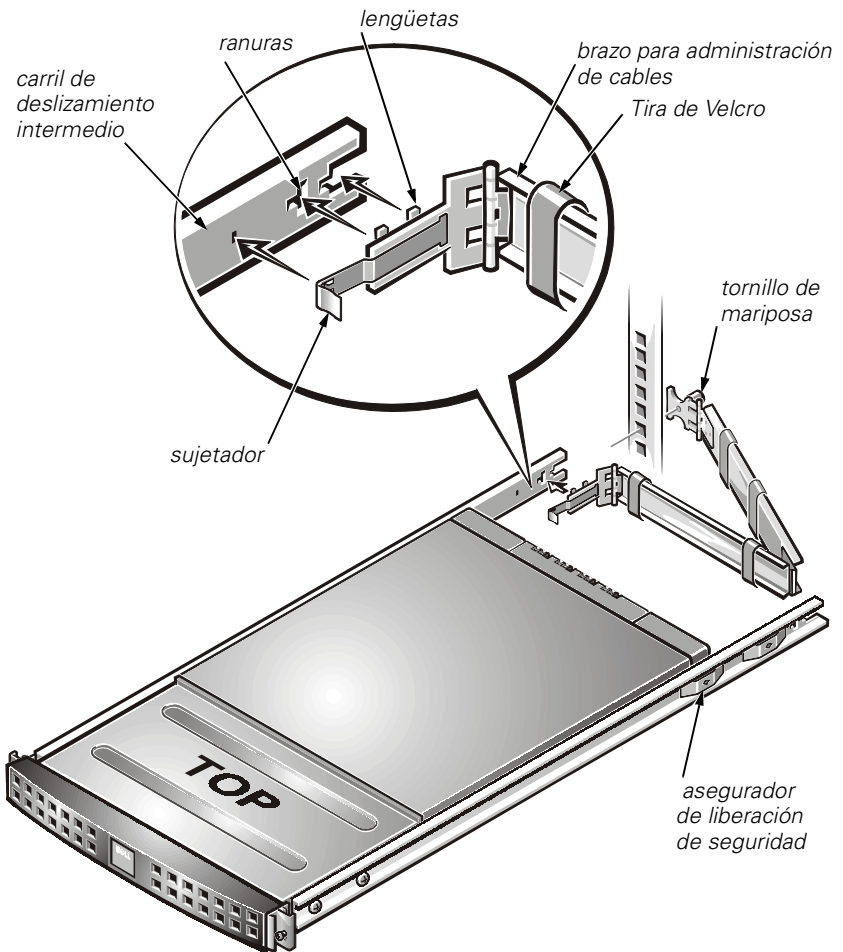


Figura 4-7. Instalación del brazo para la administración de cables

3. Dirija los cables a lo largo del brazo para administración de cables y sujételos al brazo para administración de cables con las tiras Velcro ubicadas en el brazo para administración de cables.

Verifique que los cables no estén atrapados en las articulaciones del brazo para administración de cables.

Para obtener detalles sobre la conexión de cables, consulte la *Guía de instalación y solución de problemas*.

4. Oprima los aseguradores de liberación de seguridad en los carriles de deslizamiento internos y deslice el interruptor hacia adentro del estante hasta que se asegure en su lugar.

Asegúrese de que las superficies del múltiple y del interruptor estén niveladas.

5. Apriete el tornillo de mariposa en el brazo para la administración de cables.

Los tornillos de mariposa pasan a través de los agujeros del estante y dentro de los agujeros intermedios del soporte ajustable.

Monto de las puertas en el estante

Siga los pasos a continuación para montar las puertas frontal y posterior del estante.



PRECAUCIÓN: Para prevenir lesiones físicas debidas al tamaño y al peso de las puertas, nunca intente montar las puertas sin la ayuda de otra persona.

1. Levante la puerta anterior en posición y alinee las bisagras con los agujeros del estante (consulte la Figura 4-3).
2. Deslice las bisagras en los orificios del estante hasta que las palancas de liberación de las bisagras bloqueen las bisagras en su posición.
3. Cierre la palanca de la puerta girando la manija en sentido contrario de las agujas de un reloj hasta que se detenga, oprima la manija hasta que se bloquee en posición y deslice después la cubierta encima del botón de presión sobre el botón de presión (consulte la Figura 4-2).

Repita los pasos 1 a 3 para instalar la puerta posterior.

Free Manuals Download Website

<http://myh66.com>

<http://usermanuals.us>

<http://www.somanuals.com>

<http://www.4manuals.cc>

<http://www.manual-lib.com>

<http://www.404manual.com>

<http://www.luxmanual.com>

<http://aubethermostatmanual.com>

Golf course search by state

<http://golfingnear.com>

Email search by domain

<http://emailbydomain.com>

Auto manuals search

<http://auto.somanuals.com>

TV manuals search

<http://tv.somanuals.com>