

# SERVICE INSTRUCTIONS

www.keatingofchicago.com

**KEATING**  
OF CHICAGO, INC.®

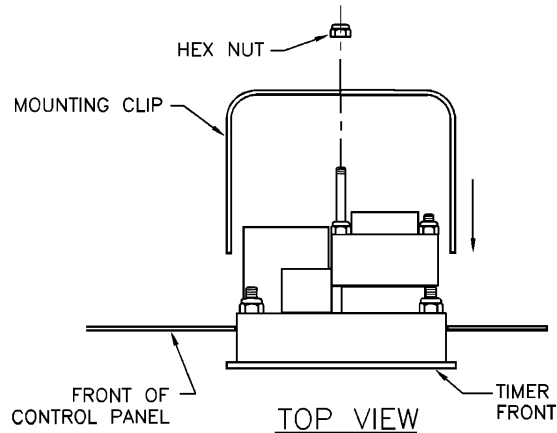
1-800-KEATING

## REPLACEMENT MOUNTING AND WIRING INSTRUCTIONS KEATING ELECTRONIC TIMER

### REPLACEMENT TIMER MOUNTING

\*Remove old timer and mount new Keating digital timer as shown.

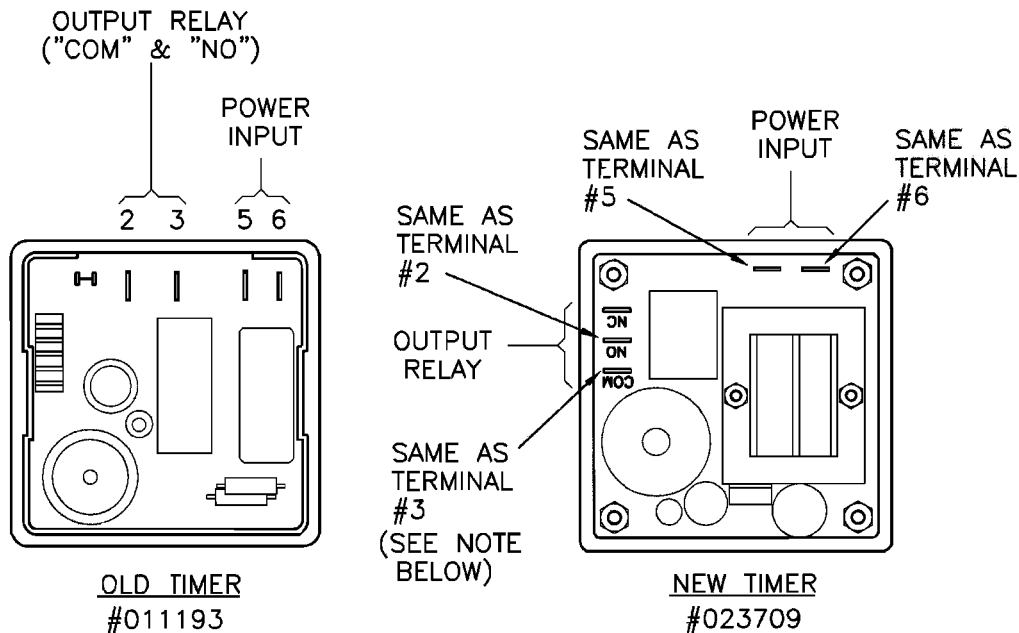
**NOTE:** When removing the wires from the old timer, mark the terminal number for reference when re-wiring.



### REPLACEMENT TIMER WIRING

\*Wire the new Keating digital timer using the old timer to new timer terminal reference shown.

**NOTE:** On fryers that use the output terminals (e.g. IFM's or units with basket lift) use the wire extension that is included with the kit, on COM terminal or power input terminal where necessary.



## Free Manuals Download Website

<http://myh66.com>

<http://usermanuals.us>

<http://www.somanuals.com>

<http://www.4manuals.cc>

<http://www.manual-lib.com>

<http://www.404manual.com>

<http://www.luxmanual.com>

<http://aubethermostatmanual.com>

Golf course search by state

<http://golfingnear.com>

Email search by domain

<http://emailbydomain.com>

Auto manuals search

<http://auto.somanuals.com>

TV manuals search

<http://tv.somanuals.com>