



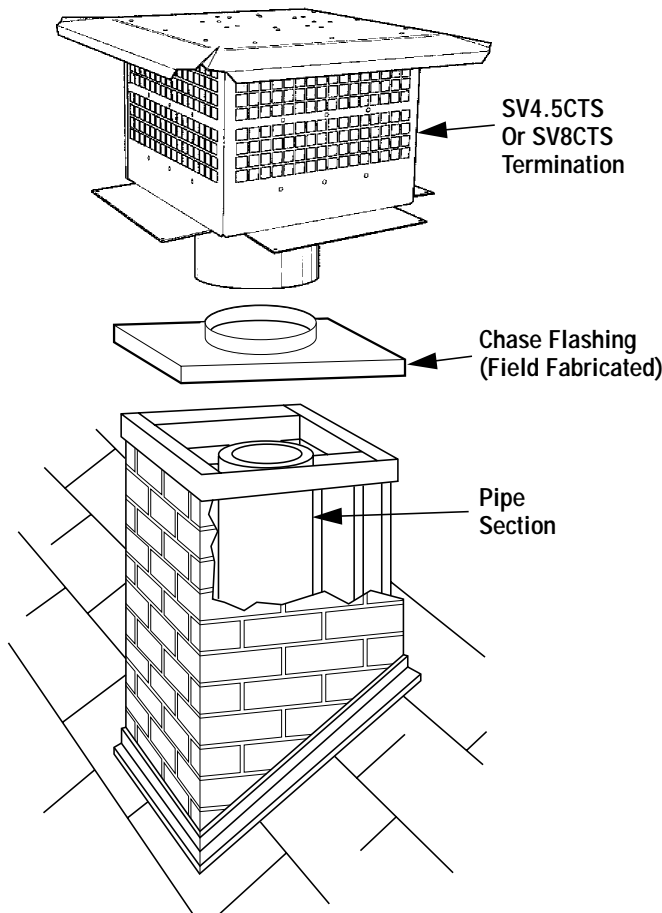
## HEARTH PRODUCTS

## HEARTH PRODUCTS KITS AND ACCESSORIES

### DIRECT VENT CHASE TOP SQUARE VERTICAL TERMINATIONS

750,207M  
REV. A 07/2007

### INSTALLATION INSTRUCTIONS FOR BLACK - SV4.5CTS-B (CAT. NO. H4716) & SV8CTS-B (CAT. NO. H6179) AND TERRA COTTA - SV4.5CTS-TC (CAT. NO. H4717) & SV8CTS-TC (CAT. NO. H6180) TERMINATIONS



#### GENERAL INFORMATION

The SV4.5CTS and SV8CTS series terminations are designed to be installed on top of locally fabricated chimney enclosure, referred to herein as a chase. The terminations are designed to be used with tested and listed Direct Vent pipe systems and manufactured appliances listed for use with this product. The SV4.5CTS and SV8CTS terminations are additionally designed and painted to be suitable for use by itself without surround, providing a beautiful top to a standard chase.

#### WARNINGS

This termination is intended to be installed in accordance with the installation guidelines of the pipe system and appliance it is joined to. Failure to install this product within those guidelines as well as these installation instructions can result in damage of property, bodily injury, or death. The installation must conform with local codes or, with the national fuel gas code, or ANSI Z223.1.

It is highly recommended that this product be installed by a qualified technician. It is highly recommended that the technician be NFI certified for gas appliance installations.

#### APPROVALS AND LISTINGS

The SV4.5CTS and SV8CTS series terminations are tested as a integral component of the Direct Vent pipe system and may be used with any manufactured fireplace listed for use with these components. These terminations are listed for this application by Omni-Test Laboratories.

#### FOR YOUR SAFETY

When working on ladders, roofs, scaffolding, or any high surface, take precautions to protect against accidents. Properly secure ladders, wear safety harnesses and verify all operations are done to OSHA standards. Also be aware of and avoid any and all electrical wires in or near your working area.

When working with and around sheet metal, be aware of material edges. Always wear gloves, safety glass and any other needed protective gear when working with sheet metal.

Take appropriate precautions when operating power equipment.

#### KIT CONTENTS

- 1 - Termination
- 1 - Bag with fifteen (15) stainless steel screws
- 1 - Instruction Sheet



NOTE: DIAGRAMS & ILLUSTRATIONS NOT TO SCALE.

## CHASE CONSTRUCTION

The chase is a hollow vertical enclosure framed as a part of the building and covered with a suitable exterior veneer. Always consult local building codes for approved chase construction techniques.

The chase flashing, fabricated locally, is used to anchor the termination to the chase. The flashing should be constructed to overlap the chase to seal out the elements.

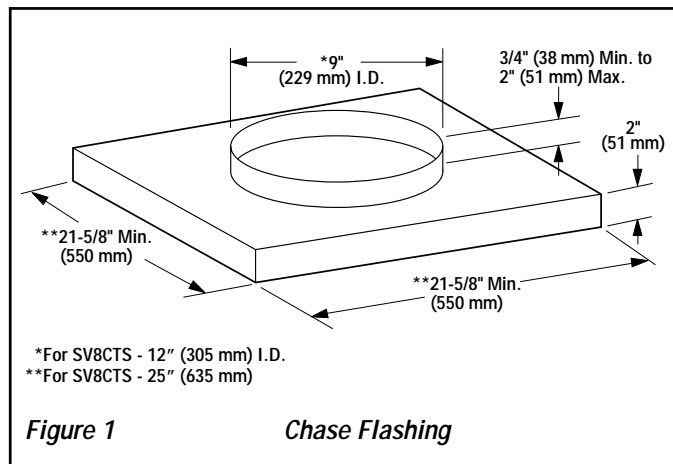
## CHASE DIMENSIONS

The chase must be large enough to accommodate the vent system and its required clearances to combustibles. The base of the Direct Vent Chase Top Vertical Termination is nineteen and five eights inches (19 5/8") for the SV4.5CTS and twenty three inches (23") for the SV8CTS. The chase and its chase flashing must exceed those dimensions by one (1) inch on all sides. This means the minimum chase dimensions must be a minimum of twenty one and five eights inches (21 5/8") for the SV4.5CTS and twenty five (25") for the SV8CTS.

## TO INSTALL THE TERMINATION

The installation of this termination also requires additional components.

- **Chase Flashing** - The flashing should be a minimum 0.018" thick G90 galvanized steel or equivalent per ASTM 525. The chase flashing must have, integrated into it, a vertical collar (see *Figure 1*).



Too short of a collar or no collar at all will allow water to seep into the chase around the outside of the pipe system, and too tall of a collar will interfere with the proper attachment of the termination.

The collared opening must be large enough to allow for the direct vent pipe system to be installed and the termination outer collar to move freely. The collared opening can be no larger than nine (9) inches in diameter.

- **Strap Support** - The SV4.5SU strap support is to be used for keeping the vent pipe system in the center of the chase (refer to *Figure 3*).

- **Silicone Caulk** - This is to be used for the final sealing of the installation. The collar must be properly sealed to the chase flashing with appropriate caulk. Hi-Temp sealant P/N 10K81 is recommended. Failure to properly seal the collared opening will result in leakage into the chase.

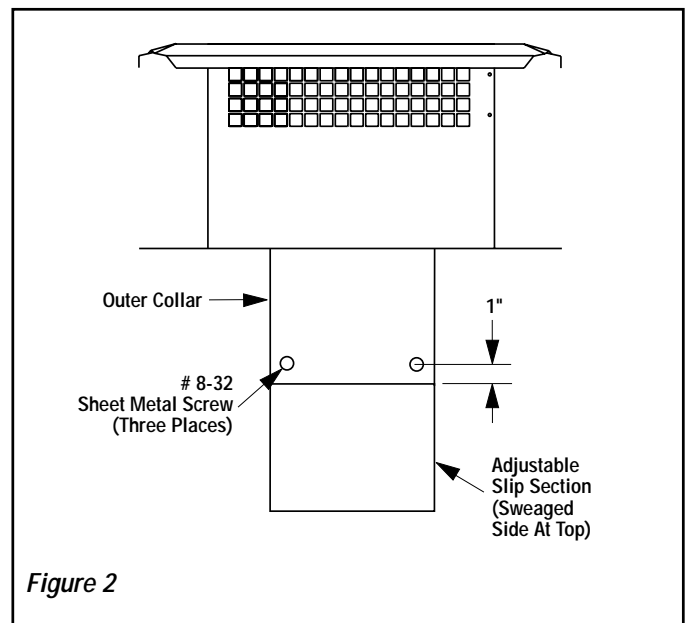
## INSTALLATION STEPS

**Step 1.** Install the gas appliance in accordance with its installation instructions.

**Step 2.** Determine the chimney height vent configuration and number of straight direct vent pipe sections required to bring the top of the last pipe section **flush with the chase top**. Two inches (2") maximum above to three inches (3") maximum below are the acceptable limits. Please see the Installation Instructions accessories list for pipe information. Install the direct vent pipe system.

If the top of the last pipe section exceeds the 3" maximum from the chase top (up to 5" maximum), please use an adjustable length slip section SV4.5LA (Cat. No. 77L75) or SV8LA (Cat. No. H2255) to engage the termination with the pipe. See Step 3 for details.

**Step 3.** Install the sweaged side of the adjustable pipe section all the way inside the termination. Secure it with three sheet metal screws (not provided) one inch (1") above the termination outer collar bottom, in three equally spaced places around the termination (see *Figure 2*).



**Step 4.** Install the SV4.5 pipe strap support (Cat. No. 96K93) or SV8SU pipe strap support (Cat. No. H2262) to keep the vent system from moving (see *Figure 3*). The strap support should be placed a minimum of one foot (1') to a maximum of 2 feet (2') below the chase top.

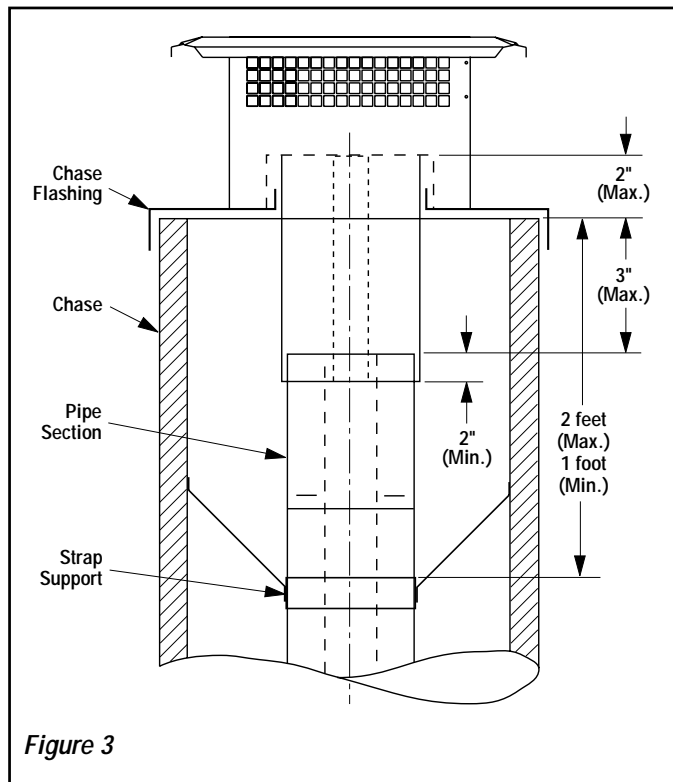
**Step 5.** Install the chase flashing on the top of the chase. Secure the flashing to the top of the chase, using 8d nails.

**Step 6.** Connect the termination with the top pipe section. Slide the termination inside pipe and lower it onto the chase flashing.

**Step 7.** Rotate the termination as needed to square it to the chase flashing for proper aesthetic appearance.

**Step 8.** Once the termination is positioned, secure it to the chase flashing using the stainless steel screws provided, through the pre-punched attachment holes in the attachment tabs of the termination. Be careful not to over tighten the screws so as to strip out the chase flashing. In the event of a strip, a larger screw can be used so long as it is stainless steel. **DO NOT** use common sheet metal screws, as they will corrode over time and the termination will no longer be secure at that point.

**Step 9.** Once the termination is permanently attached, seal all of the screw tops with silicone. In order to properly apply the silicone, the surface of the termination and screws must be clean and dry. Not sealing the screws tops **will** result in water leakage into the chase.



**MAINTENANCE**

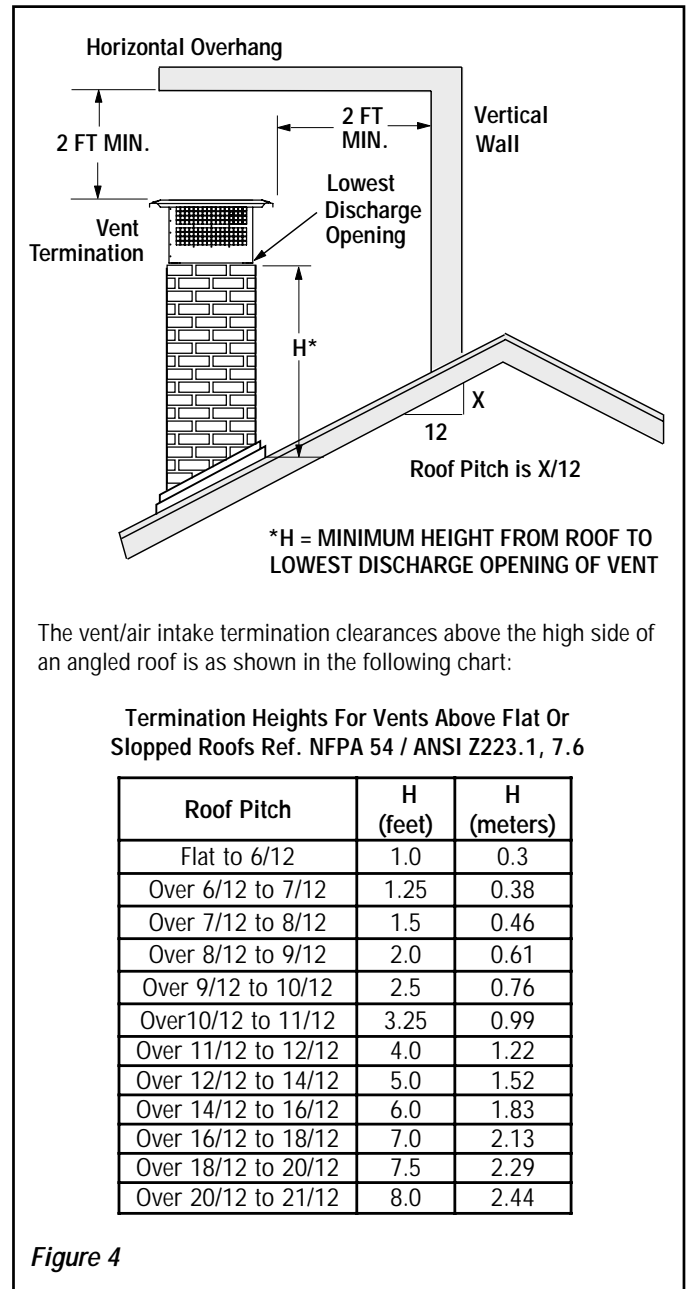
As part of an annual inspection, the termination should be checked for any foreign debris, animal or insect nests, or material of any kind which may have become lodged in it. The exterior of the termination should be visually inspected for damage of any kind.

In the event of damage to the termination, it should be replaced with a new termination. All screw attachments should be checked to insure they have not loosened over time and they should also be checked for the water tightness of their silicon seal. The termination must be removed to clean the chimney. Following cleaning, reinstall the termination and inspect as detailed in this document.

**VERTICAL VENT TERMINATION CLEARANCES**

These instructions should be used as a guideline and do not supersede local codes in any way. Install SV4.5 vent according to the current National Fuel Gas Code, ANSI-Z223.1 - latest edition, in the USA or CAN/CGA-B149.1 and B149.2 - latest editions in Canada.

Terminate single vent caps relative to building components according to Figure 4.



The vent/air intake termination clearances above the high side of an angled roof is as shown in the following chart:

Termination Heights For Vents Above Flat Or Sloped Roofs Ref. NFPA 54 / ANSI Z223.1, 7.6

Roof Pitch	H (feet)	H (meters)
Flat to 6/12	1.0	0.3
Over 6/12 to 7/12	1.25	0.38
Over 7/12 to 8/12	1.5	0.46
Over 8/12 to 9/12	2.0	0.61
Over 9/12 to 10/12	2.5	0.76
Over 10/12 to 11/12	3.25	0.99
Over 11/12 to 12/12	4.0	1.22
Over 12/12 to 14/12	5.0	1.52
Over 14/12 to 16/12	6.0	1.83
Over 16/12 to 18/12	7.0	2.13
Over 18/12 to 20/12	7.5	2.29
Over 20/12 to 21/12	8.0	2.44

Figure 4

---

The manufacturer reserves the right to make changes at any time, without notice, in design, materials, specifications, prices and also to discontinue colors, styles and products. Consult your local distributor for fireplace code information.



**HEARTH PRODUCTS**

1110 West Taft Avenue • Orange, CA 92865

Printed in U.S.A. © 2006 by Lennox Hearth Products  
P/N 750,207M REV. A 07/2007

## Free Manuals Download Website

<http://myh66.com>

<http://usermanuals.us>

<http://www.somanuals.com>

<http://www.4manuals.cc>

<http://www.manual-lib.com>

<http://www.404manual.com>

<http://www.luxmanual.com>

<http://aubethermostatmanual.com>

Golf course search by state

<http://golfingnear.com>

Email search by domain

<http://emailbydomain.com>

Auto manuals search

<http://auto.somanuals.com>

TV manuals search

<http://tv.somanuals.com>