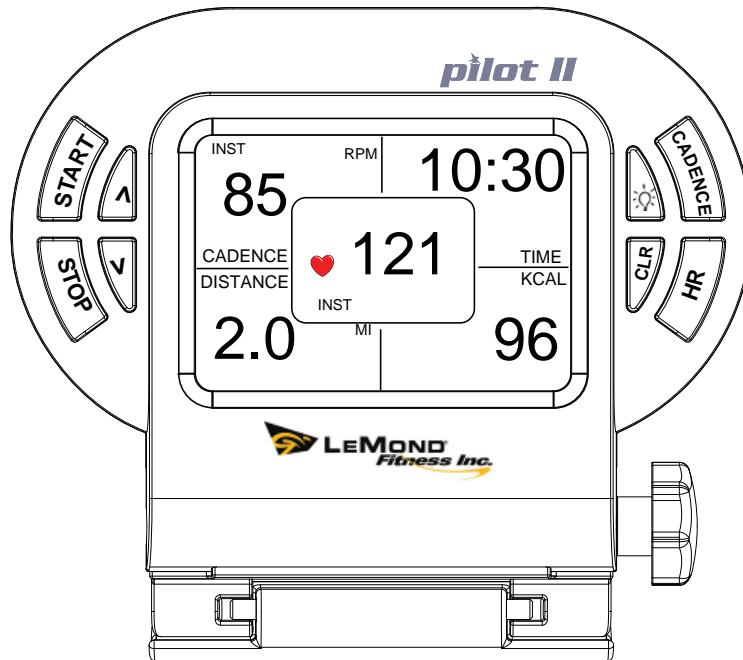


pilot II

WIRELESS CADENCE METER
FOR THE LEMOND® REVMASER



INSTRUCTION MANUAL



© 2007 LeMond Fitness
All rights reserved

© 2007 LeMond Fitness. LeMond, RevMaster, and Pilot are registered trademarks of LeMond Fitness in the United States and other countries.

IMPORTANT SAFETY INSTRUCTIONS



WARNING

BEFORE BEGINNING THIS OR ANY EXERCISE PROGRAM, CONSULT YOUR PHYSICIAN.

CERTAIN EXERCISES, PROGRAMS, OR TYPES OF EQUIPMENT MAY NOT BE APPROPRIATE FOR ALL INDIVIDUALS, ESPECIALLY IF YOU ARE ABOVE 40 YEARS OF AGE, AND/OR HAVE PRE-EXISTING HEALTH, AND/OR ORTHOPEDIC MEDICAL CONDITIONS. YOUR PHYSICIAN CAN HELP YOU DETERMINE WHAT ACTIVITIES OR PROGRAMS ARE MOST SUITABLE FOR YOU.

WARRANTY

This is to certify that the Pilot© wireless cadence meter is warranted by LeMond Fitness Inc. to be free of all defects in materials and workmanship. This warranty does not apply to any defect caused by negligence, misuse, accident, alteration, improper maintenance, or an “act of God.” The Pilot cadence meter can only be used on the Rev-Master indoor cycling bike. Any attempts to use this meter on any other equipment voids the warranty.

The Pilot carries a one year warranty on the meter and transmitter. Batteries are not warranted. Contact our Customer Service Department to report any problems. When calling, please be prepared to provide the customer service representative with the following information: Your name, the serial number of the inoperable unit, and the date(s) of purchase for the meter. If warranty replacement parts are shipped to you, you may be required to return the inoperable part.

LeMond Fitness Inc. neither makes, assumes nor authorizes any representative or other person to make or assume for us, any other warranty whatsoever, whether expressed or implied, in connection with the sale, service, or shipment of our products. We reserve the right to make changes and improvements in our products without incurring any obligation to similarly alter products previously purchased. In order to maintain your product warranty and to ensure the safe and efficient operation of your cadence meter, only authorized replacement parts can be used. This warranty is void if parts other than those provided by LeMond Fitness are used.

SPECIFICATIONS

Cadence Meter

| | |
|----------------------|--|
| Heart Rate Range: | 30 to 240 bpm (beats per minute) |
| Heart Rate Accuracy: | ± 4 bpm |
| Battery: | 2 AA batteries |
| Battery Life: | 6 months to 1 year, depending on usage |

Transmitter

| | |
|--------------------|--|
| Emitted Frequency: | 122 kHz |
| Battery: | 3 AA batteries |
| Battery Life: | 6 months to 1 year, depending on usage |

CONTENTS

| | |
|--|----|
| Description | 7 |
| Installation on the RevMaster | |
| Batteries | 8 |
| Console | 10 |
| Transmitter | 10 |
| Display Window | 12 |
| Quick Start Program | 14 |
| Custom HR Training and Calorie Calculation | 15 |
| Key Function | 17 |
| Cadence Training | 20 |
| Troubleshooting | 22 |
| Appendix | |
| FCC Compliance | 24 |
| Changing the Console and Transmitter Codes | 25 |
| Dip Switch Codes | 26 |
| Console Codes | 27 |

NOTE:

- Press any key to turn on the Pilot console.
- Never disassemble the console or transmitter as it can not be reassembled.
- The console is water resistant, not water proof. Do not deliberately place it in water.
- To clean the console, wipe it off with a clean rag sprayed with diluted household cleaner.


DESCRIPTION

The Pilot assembly consists of a console, a magnet, and a transmitter. A sensor in the transmitter counts the number of times a magnet mounted in the right crank passes the sensor.

The transmitter will then send a coded RF (radio frequency) signal to the console containing the measured values.

The console has inboard receivers that pick up RPM signals from the transmitter and heart rate signals from a telemetry chest strap. The heart rate is then shown in the display window. The console will track cadence (RPMs), speed (MPH/KPH), time, distance, and caloric expenditure.

NOTE:

- Excessive use of the back light [] will drain the console batteries prematurely.
- Expected life of the console batteries is 6 months to 1 year.
- If the console battery power is low, then “**BATT LOW**” will be shown in the display window for 2 seconds after the display is turned on to inform you to change the console batteries.
- Expected life of the transmitter batteries is 6 months to 1 year.

INSTALLATION OF PILOT

NOTE:

The Cadence Meter can only be installed on a LeMond RevMaster bike.

The console and the transmitter use AA batteries as a source of power. Install the supplied batteries in the console and in the transmitter prior to using.

To install the meter (console and the transmitter), you will need

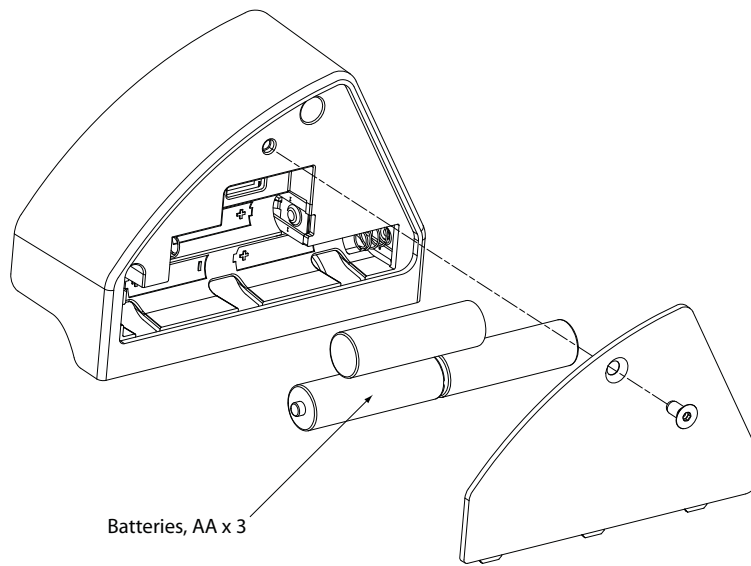
the following tools:

- Phillips Screwdriver
- 2.5-mm Hex Key (supplied)
- 3-mm Hex Key (supplied)
- 4-mm Hex Key (supplied)

INSTALLATION OF PILOT

Transmitter Battery Installation:

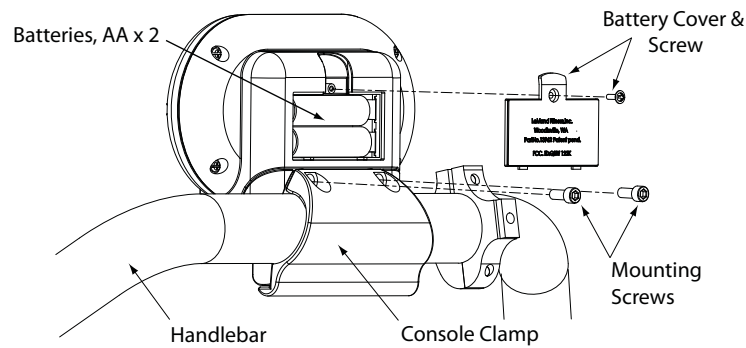
1. Remove the battery cover screw and cover from the transmitter with a 2.5-mm hex key.
2. Install three (3) AA batteries in the battery compartment.
3. Retain the battery cover and its screw until you have installed the transmitter on the bike. You will reinstall the battery cover at that time.



INSTALLATION OF PILOT

Console Battery Installation:

1. Loosen the battery cover screw and remove the battery cover from the console.
2. Insert 2 AA batteries into the battery compartment and reinstall the battery cover.



Console Installation:

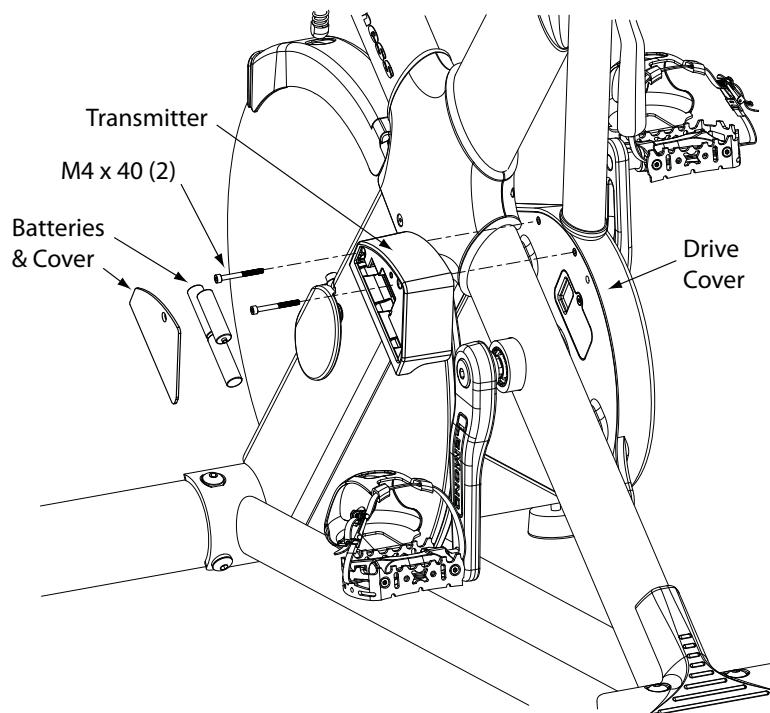
1. Ensure that the console turns on.
2. Spread the bottom of the console clamp apart and clamp it back together over the top center of the handle bar.
3. Insert a mounting screw into each hole and use a 4-mm hex key to tighten the screws.

INSTALLATION OF PILOT

Transmitter Installation:

1. Ensure that the batteries are installed in the transmitter.
2. From the left side of the bike, use a 3 mm hex key to remove two counter sunk hex head screws located on the inside of the drive cover. (See illustration below.)
3. Position the transmitter next to the cover.

Note: *The RPM sensor at the back of the transmitter will align with the indentation in the back of the drive cover.*



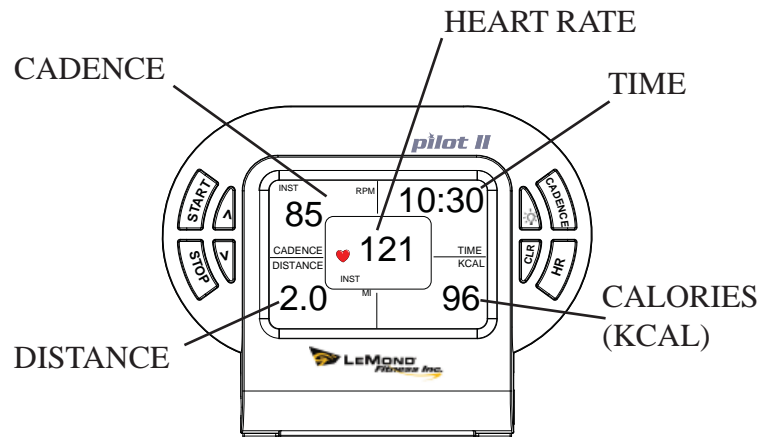
INSTALLATION OF PILOT

4. Secure the transmitter to the bike with two M4 x 40 screws; tighten with a 3 mm hex key.
5. Reinstall the transmitter battery cover and screw; tighten with a 2.5 mm hex key.

Checking the Installation:

1. Turn the console on by pressing START.
2. Rotate the cranks for 10 seconds and verify that the console is picking up the crank rotation and displaying RPM's in the cadence section of the display window.
3. If you do not see RPMs in the display window, press the [CADENCE] key repeatedly until "INST" RPM is shown in the display window. If RPM still does not show, refer to the troubleshooting section of this manual.

DISPALY WINDOW



CADENCE

Cadence is the measurement of how fast the crank is rotating in RPM's. The approximate speed of the bike can also be displayed (MPH/KPH) in this area.

TIME

Time is the length of time (min:sec) since you pressed the start button.

DISTANCE

Distance is the measurement of the approximate distance of the bike if the user was riding a bike with tires the same size of the flywheel.

KCAL

Kcal is the approximation of calories burned during your workout. The calories are estimated by measuring your instantaneous heart rate (HR) and factoring in your age, ambient HR, and weight.

HEART RATE

This is the measurement, by telemetry (chest strap), of your heart rate in beats per minute (BPM).

Note: *You must wear a chest strap during your workout in order to see your heart rate. The Pilot console will detect heart rate signals from most chest straps that emit an analog signal, or a digital Cardiosport® chest strap. An "A" (analog) or "D" (digital) will be displayed for a few seconds in the heart rate display section of the display window when a HR signal is initially received, to indicate the type of signal being received.*



WARNING

IF AT ANY TIME DURING YOUR WORKOUT YOU FEEL CHEST PAIN, EXPERIENCE SEVERE MUSCULAR DISCOMFORT, FEEL FAINT, OR ARE SHORT OF BREATH, STOP EXERCISING IMMEDIATELY. IF THE CONDITION PERSISTS, YOU SHOULD CONSULT YOUR MEDICAL DOCTOR IMMEDIATELY

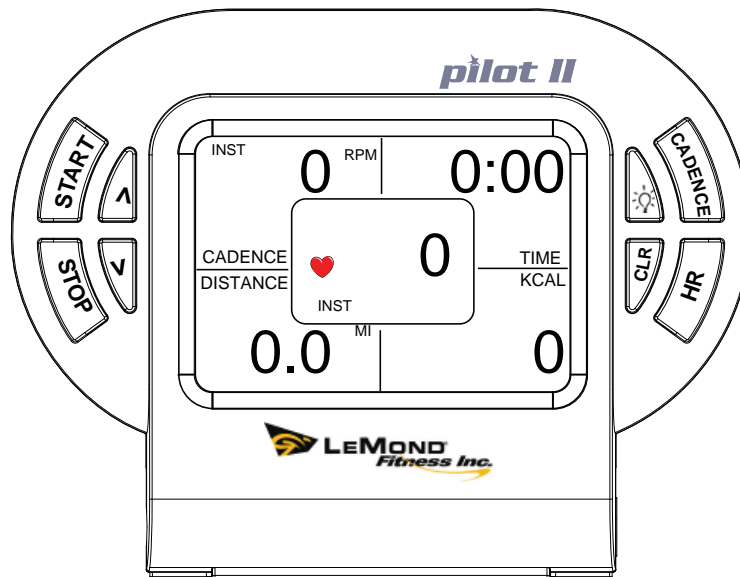
The Pilot also features heart zone training. After selecting your maximum and minimum heart rate limits, the console will show flashing up or down arrows over the heart icon to indicate that you need to adjust your intensity either up or down to stay within your selected heart rate zone. See pg. 15 for more info.

QUICK START PROGRAM

Any time you want to bypass entering your personal data and start using the meter, simply press any key to turn on the console. After you press the [START] key, the timer will start counting and the console will start tracking usage information.

The Pilot will calculate calories burned based on the following default perimeters for Quick Start Workout:

Ambient Heart Rate (AHR): 70 bpm
Age: 30 Years old
Weight: 175 lbs.



CUSTOM HEART RATE TRAINING AND CALORIE CALCULATIONS

1. Press and hold the [HR] key until the display window shows “√ 240.”
2. Use the [∨] key to change the upper limit of your target heart rate from 240 BPM to your desired beats per minute and press [HR] to select the number. Or, simply press [HR] to accept the default value of 240 BPM.

Note: *If your heart rate during your workout session is higher than the selected upper limit of your target heart rate range, there will be a flashing “√” above the heart icon in the display window. This indicates that you should adjust your workout to bring your heart rate down*

3. The display window will now show “^ 30.”
4. Use the [^] key to change the bottom limit of your target heart rate from 30 BPM to your desired beats per minute and press [HR] to select the number. Or, simply press [HR] to accept the default value of 30 BPM.

Note: *If your heart rate is lower than the selected bottom limit of your target heart rate range, there will be a flashing “^” above the heart icon. This indicates that you should adjust your workout to bring your heart rate up.*

5. The lower right portion of the display window will show 70 BPM as the default ambient heart rate (AHR).

CUSTOM HEART RATE TRAINING AND CALORIE CALCULATIONS

6. Use the [^] or [v] key to change the default AHR value to your AHR value.
7. Press the [HR] key to select your AHR value.
8. The default age of 30 years old will be displayed. Use the [^] or [v] key to change the default age to your age.
9. Press the [HR] key to select your age.
10. The default weight of 175 lbs. will be displayed. Use the [^] or [v] key to change the default weight to your weight.
11. Press the [HR] key to select your weight and return you to the main screen.
12. Press the [START] key to activate the timer and start tracking usage information.

KEY FUNCTIONS

[START]

The start key will start the timer and enable the cadence meter to begin calculating HR and Kcal values.

[CLEAR]

- A short press (< 3 sec) of the clear key will reset the time, distance and calorie measurements.
- Pressing and holding the clear key (> 3sec) will reset the AVG (average) and MAX (maximum) values for cadence and HR measurements. In addition, the calorie calculation values will be reset to their default values

[STOP]

The stop key will stop the calculation of the time, distance and calorie measurements without resetting the values of the measurements. Pressing the start key again will restart the console

[CADENCE]

The cadence key allows you to change the cadence section of the display window between INST (instantaneous) RPM, AVG (average) RPM, MAX (maximum) RPM, INST (instantaneous) MPH/KPH, AVG (average) MPH/KPH, and MAX (maximum) MPH/KPH.

[^]

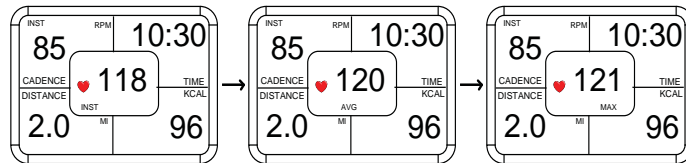
The up arrow allows you to increase the default max HR, min HR, ambient HR, age, and weight for target heart zone training and calorie calculations.

[∇]

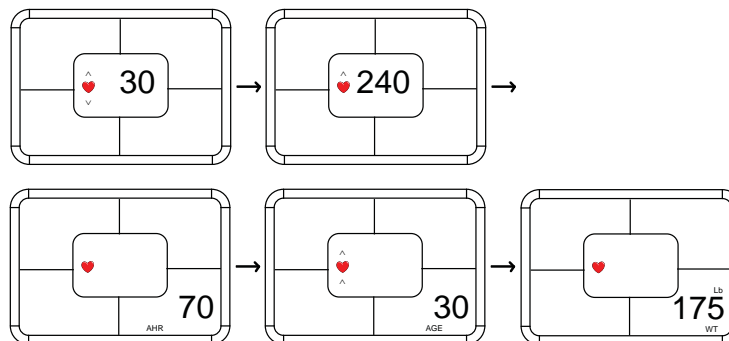
The down arrow allows you to decrease the default max HR, min HR, ambient HR, age, and weight to select your values for target heart zone training and calorie calculations.

[HR]

- A short press of the heart rate key allows you to change the display of the HR section of the display window between INST (instantaneous) HR, AVG (average) HR and MAX (maximum) HR.



- A long press (> 3sec), places you in the HR data entry mode where you can use the [^] and [∇] keys to select your upper target HR and lower target HR. You can also modify the ambient HR, age, and weight default values for more user specific calorie calculations.





Pressing the light key will back-light the display window for 5 seconds. If another key is pressed while the light is on, the back light will stay on for an additional 5 seconds. As long as keys are pressed with the back light on, the console light will stay on.

Note: *When the back light is on, all calculations are suspended. During this time, heart rate and cadence are not detected.*

CADENCE TRAINING

Definition of Cadence

How rapidly the cranks are rotated or the rhythm of the pedal stroke; often referred to as RPM (revolutions per minute).

Concepts using Cadence for training

You can choose the goal of your workout in relation to Resistance, Cadence, and Heart Rate . The intensity of your workout is affected by pedal speed change and the resistance applied. This is quantified as RPE - Relative Perceived Ex-
certion)

| <u>Resistance Used</u> | <u>Cadence</u> | <u>Heart Rate</u> | <u>RPE</u> | <u>Feeling</u> |
|------------------------|-----------------------|-------------------|------------|--------------------------|
| Light | RPM 50-70 | 35%-50% MHR | 1-2 | Very easy |
| Light | RPM 70-90 | 50%-60% MHR | 3-4 | Easy |
| Light | RPM 90-100 | 60%-70% MHR | 5 | Steady; comfortable |
| Light | RPM 100-135 | 70%-85% MHR | 6+ | Challenging |
| Moderate | RPM 50-70 | 55%-65% MHR | 4-5 | Somewhat hard |
| Moderate | RPM 70-90 | 65%-75% MHR | 5-6 | Challenging, steady |
| Moderate | RPM 90-100 | 75%-85% MHR | 6-7 | Hard! |
| Moderate | RPM 100+ 85%-100% MHR | | 7-10 | Very hard; chasing |
| Heavy | RPM 50-60 | 70%-80% MHR | 6-7 | Hard; talking is hard |
| Heavy | RPM 60-70 | 80%-85% MHR | 7-8 | Very hard; pushing |
| Heavy | RPM 70-80 | 85%-90% MHR | 8-9 | Very Hard!! |
| Heavy | RPM 80+ | 90%-100% MHR | 9-10 | Maximal |

| <u>Resistance Used</u> | <u>Speed Change</u> | <u>Effects on Heart Rate</u> |
|------------------------|---------------------|--------------------------------------|
| Light | Lower RPM | HR remains relaxed |
| Light | Higher RPM | HR begins to rise |
| Moderate | Lower RPM | HR near to steady state |
| Moderate | Higher RPM | HR rises from steady state |
| Heavy | Lower RPM | HR rises - hard effort |
| Heavy | Higher RPM | HR rises very hard to maximal effort |

Warm-Up

Warm up is of critical importance to the success of your cycling. The demands of your riding profile should be prepared in the warm-up to achieve maximal results. You must get your working muscles to a temperature of optimum performance where the circulatory system is delivering oxygen and nutrients efficiently to those muscles. Depending on the workout session goal, warm up can take from 15 minute to 20 minutes.

TROUBLESHOOTING

No Display on Console

1. Press any key to bring the console out of sleep mode.
2. Ensure that the batteries are installed properly in the console and transmitter. If they are, install fresh batteries.
3. Verify that the console dip switch code matches the transmitter dip switch code (see Appendix).
4. Call our Customer Service department at 425-482-6773 for assistance.

No Heart Rate signal displayed

1. Ensure that your chest strap is worn correctly, and that there is moisture under the electrodes of the chest strap.
2. Relocate the RevMaster bike away from any equipment that could potentially interrupt the radio frequency signal, such as a DVD player or television, etc.
3. Ensure that there is at least 36 inches between bikes in a group exercise class setting.
4. Call our Customer Service department at 425-482-6773 for assistance.

RPM or HR does not change

1. Press [CADENCE] repeatedly to toggle between instantaneous (INS), average (AVG), and maximum (MAX) values.
2. Press [HR] repeatedly to toggle between instantaneous (INS), average (AVG), and maximum (MAX) values.

TROUBLESHOOTING (CONT.)

Cadence number jumps high or low

1. Separate bikes that may be set to the same console code and are cross-talking, or change the console and transmitter codes on the bike (see Appendix).
2. Relocate the bike to a different part of the room, away from any RF interference areas.



CAUTION

EXTERNAL INTERFERENCE MAY BE CAUSED BY NEARBY TELEVISIONS, STEREO EQUIPMENT, SPEAKERS, ELECTRICAL WIRE CABLING, ETC. IF YOU EXPERIENCE DISTURBANCES IN THE CONSOLE DISPLAY TRY MOVING YOUR BIKE(S) AWAY FROM POTENTIAL RF INTERFERENCE AREAS.

3. Call our Customer Service department at 425-482-6773 for assistance.

Heart Rate signal gets interrupted or drops out

1. Ensure that there is a minimum distance of 36 inches between bikes.
2. Verify that your chest strap is secure and that the electrodes are making contact with your chest at all times.
3. Call our Customer Service department at 425-482-6773 for assistance.

APPENDIX

Notice of FCC Compliance

This equipment has been tested and found to comply with the limits for a Class C Low Power Communication Device Transmitter, pursuant to Part 15 of the FCC rules. Operation is subject to the following conditions: (1) This device may not cause harmful interference, and (2) this device must accept any interference received, including interference that may cause undesired operation.

There is no guarantee that interference will not occur in a particular installation. If this equipment experiences interference from a radio, television, or other RF signal, the user is encouraged to try and correct the interference by increasing the separation between the equipment and the apparatus emitting the interfering RF signal.



WARNING

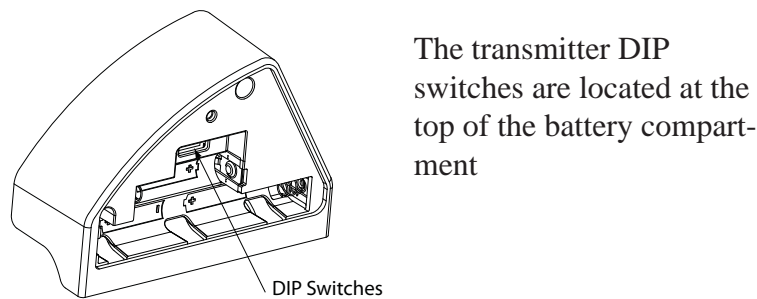
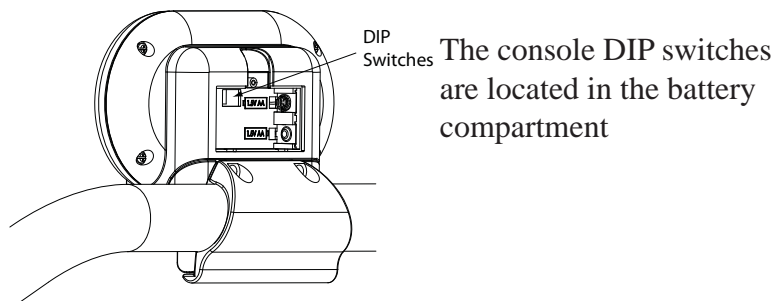
CHANGES OR MODIFICATIONS TO EQUIPMENT NOT EXPRESSLY APPROVED BY LEMOND® FITNESS COULD VOID THE USER'S AUTHORITY TO OPERATE THIS EQUIPMENT.

APPENDIX

Changing the Console and Transmitter Codes

The console and the transmitter have dip switches that allow you to change the transmission code back and for the between a total of 16 different number codes (00-15) to help reduce cross talking between bikes in a class environment. Cross talking is when one bike picks up the RF signal from another bike, and interferes with the displayed numbers on the console.

- As long as the transmitter and console “dip” switches are set to the same number code, the two will communicate.
- To change the number codes, simply flip the dip switches on each component to the same number code.



APPENDIX

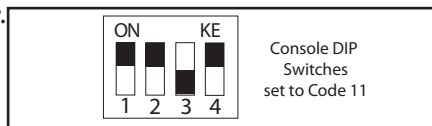
Dip Switch Codes

Match the code on the console to the code on the transmitter by flipping the dip switches on each unit to the corresponding up/down sequences for the desired code as listed below.

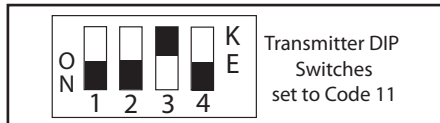
| | Dip Switch Number | | | |
|-----------|-------------------|-----|-----|-----|
| | 1 | 2 | 3 | 4 |
| 00 | off | off | off | off |
| 01 | on | off | off | off |
| 02 | off | on | off | off |
| 03 | on | on | off | off |
| 04 | off | off | on | off |
| 05 | on | off | on | off |
| 06 | off | on | on | off |
| 07 | on | on | on | off |
| 08 | off | off | off | on |
| 09 | on | off | off | on |
| 10 | off | on | off | on |
| 11 | on | on | off | on |
| 12 | off | off | on | on |
| 13 | on | off | on | on |
| 14 | off | on | on | on |
| 15 | on | on | on | on |

Code Number (00-15)

Note: The "on" position for the console dip switches is up toward the top of the console.



Note: The "on" position for the transmitter dip switches is down toward the batteries.



APPENDIX

CONSOLE CODES

[CADENCE] + [HR]

Pressing both these keys switches from English units - Miles (Mi), Miles per hour (MPH), and pounds (Lbs); to Metric units - Kilometers (Km), kilometers per hour (KPH), and kilograms (Kg).

[CADENCE] + [^]

Pressing both these keys displays the console code.

Note: *the console will not display the transmitter code, you must remove the belt cover and visually inspect the transmitter to see what code it is set at.*

[CADENCE] + [v]

Pressing both these keys displays the chest strap HR code.

[STOP] + [^] + [CADENCE]

Pressing all three keys at once will light up the entire display window. Use this code to verify that the Liquid Crystal Display (LCD) screen is working properly.



Corporate Headquarters

15540 Woodinville-Redmond Rd NE
Building A, Suite 100
Woodinville, WA 98072

Telephone: +1(425) 482-6773

Fax: +1(425) 482-6724

www.LeMondfitness.com

Document No:
300219 Rev A

© 2007 LeMond Fitness. LeMond, RevMaster, and Pilot are registered trademarks of LeMond Fitness in the United States and other countries.

Page 28

Free Manuals Download Website

<http://myh66.com>

<http://usermanuals.us>

<http://www.somanuals.com>

<http://www.4manuals.cc>

<http://www.manual-lib.com>

<http://www.404manual.com>

<http://www.luxmanual.com>

<http://aubethermostatmanual.com>

Golf course search by state

<http://golfingnear.com>

Email search by domain

<http://emailbydomain.com>

Auto manuals search

<http://auto.somanuals.com>

TV manuals search

<http://tv.somanuals.com>