

Scotsman®

SSM Water Filters

SSM Plus and Aqua Patrol® Water Filtration Systems



Features

SSM Plus

- Extends the life of your Scotsman machine and provides cleaner, more consistent ice
- Now with AquaArmor with AgION®, a silver-based anti-microbial compound that reduces the growth of bacteria, microorganisms, algae, mold, and slime on ice machine surfaces, preventing premature clogging.
- Ultrafine half-micron filtration, combined with food-grade polyphosphate, assures that chlorine, off-tastes, odors and particles stay out of your ice.
- Filtration can reduce unscheduled water-related maintenance calls by as much as 40%
- Easy to install and maintain

AquaPatrol®

- Leaves chlorine in water to keep machine cleaner longer
- Polyphosphate feed to inhibit scale build up
- Easy to install and maintain



NSF International Standards

Standard No. 42: Aesthetic Effects

Chemical Unit

- Chlorine reduction, class 1
- Taste and odor reduction

Mechanical Filtration Unit

- Particulate reduction, class 1
- 99.9% reduction of particles
- 1/2 micron and larger sizes

Standard No. 53: Health Effects

Mechanical Filtration Unit

- Turbidity Reduction
- Cyst Reduction
- Asbestos Reduction

The SSM filter and replacement cartridge have been tested and listed by NSF only for the functions listed above. Check for compliance with state and local law and regulations. Do not use where the water is microbiologically unsafe, or with water of unknown quality without adequate disinfection before or after the unit. Can be used on water that may contain filterable cysts.



NAFEM DATA PROTOCOL



AgION is a trademark of AgION Technologies and is registered with the EPA

Warranty

- 5 year on manifold parts only

Warranty valid in North, South, & Central America. Contact factory for warranty in other regions

Scotsman Ice Systems
775 Corporate Woods Parkway
Vernon Hills, IL 60061

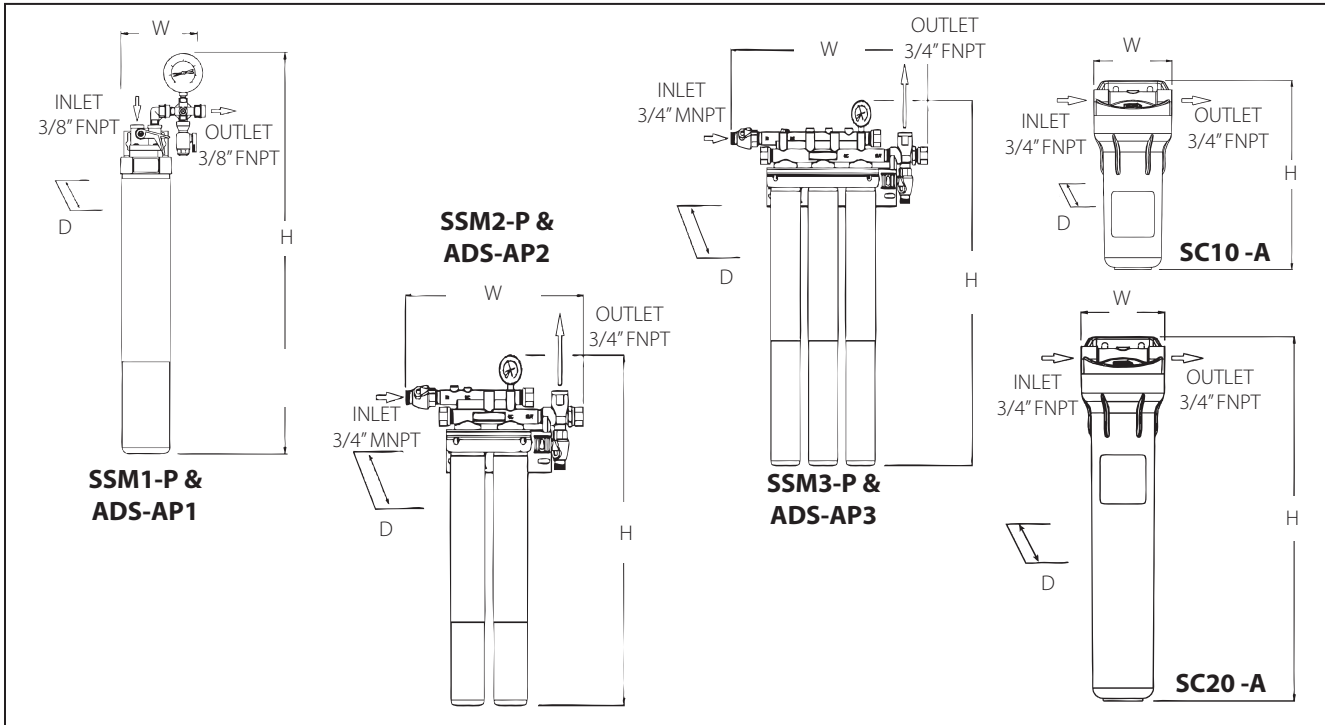
1-800-SCOTSMAN
Fax: 847-913-9844
E-mail: customer.service@scotsman-ice.com

www.scotsman-ice.com

Scotsman

The Smart Choice in Ice.™

SSM Water Filters



Specifications

	Model	Dimensions			Description	Maximum Flow (gallons/minute)
		W	D	H		
SSM Plus	SSM1-P	5.6	4.75	30.5	Single System for Cubers up to 650 lb (295 kg) and flakers, nuggets and nugget dispensers up to 1,200 lb (544 kg).	1.67
	SSM2-P	16.6	5.5	29.26	Double System for Cubers over 650 lb (295 kg) and flakers, nuggets and nugget dispensers over 1,200 lb (544 kg).	3.34
	SSM3-P	21	5.5	29.26	Triple System for Cubers over 1,300 lb (544 kg).	5.01
AquaPatrol®	ADS-AP1	5.6	4.75	27.5	Single System for Cubers up to 650 lb (295 kg) and flakers, nuggets and nugget dispensers up to 1,200 lb (544 kg).	2.1
	ADS-AP2	16.6	5.5	25.26	Double System for Cubers over 650 lb (295 kg) and flakers, nuggets and nugget dispensers over 1,200 lb (544 kg).	4.2
	ADS-AP3	21	5.5	25.26	Triple System for Cubers over 1,300 lb (544 kg).	6.3
Coarse Pre-Filters	SC10-A	5.16	5.5	12.44	Single System for Cubers up to 650 lb (295 kg) and flakers, nuggets and nugget dispensers up to 1,200 lb (544 kg).	5
	SC20-A	5.16	5.5	22.44	Single System for Cubers up to 650 lb (295 kg) and flakers, nuggets and nugget dispensers up to 1,200 lb (544 kg).	10

Shipping

Model	Dimensions	Weight (lb/kg)
SSM1-P:	21" x 10" x 6"	7/3
SSM2-P	21" x 10" x 10"	11/5
SSM3-P	21" x 10" x 10"	16/7
ADS-AP1:	21" x 10" x 10"	7/3
ADS-AP2:	21" x 10" x 10"	11/5
ADS-AP3:	21" x 10" x 10"	16/7
SC10-A:	6" x 6" x 17"	5/2
SC20-A:	6" x 6" x 17"	11/5

Accessories

Model	Description
SC10RC40	SC10 Replacement Filter (package of 40)
SC20RC20	SC20 Replacement Filter (package of 20)
SSMRC1	Single Replacement Cartridge for SSM Plus (package of 1)
SSMRC6	6 pack Replacement Package for SSM Plus (package of 6)
ADS-APRC6	Replacement Cartridge for AquaPatrol® (package of 6)

* Scotsman recommends all ice machines have water filtration. See Scotsman Sanitation Matrix for details.

Operating Requirements

	Minimum	Maximum
Air Temperatures	50°F (10°C)	100°F (38°C)
Water Temperatures	40°F (4.4°C)	100°F (38°C)
Water Pressures	20 PSIG (1.4 bar)	80 PSIG (5.5 bar)

Scotsman Ice Systems
775 Corporate Woods Parkway
Vernon Hills, IL 60061

1-800-SCOTSMAN
Fax: 847-913-9844
E-mail: customer.service@scotsman-ice.com

www.scotsman-ice.com

Free Manuals Download Website

<http://myh66.com>

<http://usermanuals.us>

<http://www.somanuals.com>

<http://www.4manuals.cc>

<http://www.manual-lib.com>

<http://www.404manual.com>

<http://www.luxmanual.com>

<http://aubethermostatmanual.com>

Golf course search by state

<http://golfingnear.com>

Email search by domain

<http://emailbydomain.com>

Auto manuals search

<http://auto.somanuals.com>

TV manuals search

<http://tv.somanuals.com>