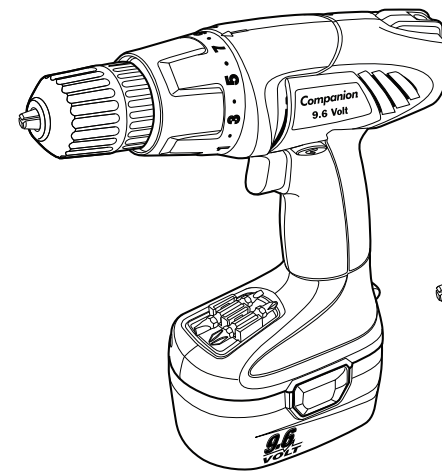


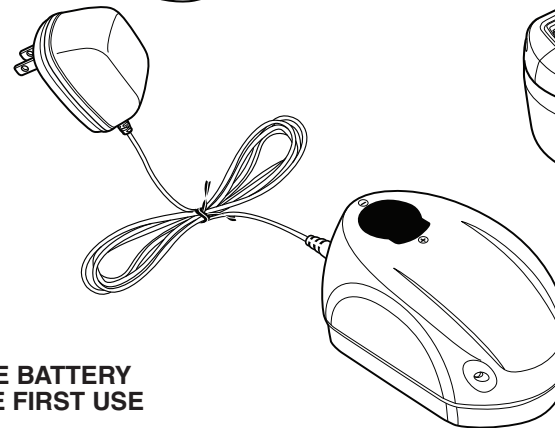
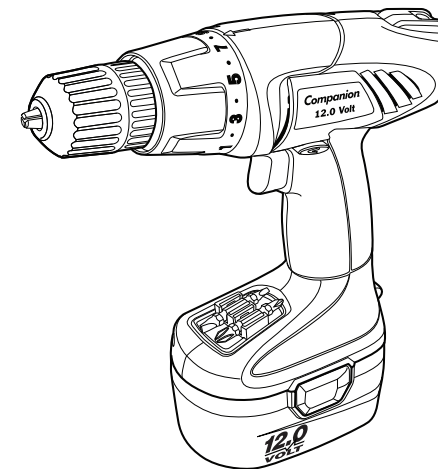
Operator's Manual



3/8-in. Variable Speed / Reversible Cordless Drill / Driver



Model No. 172.10300 9.6 Volt
Model No. 172.10400 12.0 Volt



CHARGE BATTERY BEFORE FIRST USE

CAUTION:
Read, understand and follow all Safety Rules and Operating Instructions in this Manual before using this product.

Sears, Roebuck and Co.,
Hoffman Estates, IL 60179 U.S.A.

Visit our Craftsman® website:
www.craftsman.com


3025736
Conforms to UL 60745-1
and UL 60745-2-1
Certified to
CAN/CSA-C22,
2NO.60745-1-04,
NO.60745-2-1-04

- **WARRANTY**
- **SAFETY**
- **UNPACKING**
- **DESCRIPTION**
- **OPERATION**
- **ADJUSTMENTS**
- **MAINTENANCE**

TABLE OF CONTENTS

Warranty.....	Page 2
Safety Symbols.....	Page 3
Safety Instructions.....	Pages 4 - 10
Unpacking	Page 11
Description	Pages 12 - 13
Operation	Pages 14 - 22
Maintenance.....	Pages 22 - 24
Accessories.....	Pages 24 - 25
Repair Parts.....	Pages 26 - 31
Sears Repair Parts Phone Numbers.....	Back Cover

ONE YEAR FULL WARRANTY ON COMPANION TOOL

If this Companion tool fails due to a defect in material or workmanship within one year from the date of purchase, **RETURN IT TO ANY SEARS STORE OR OTHER CRAFTSMAN OUTLET IN THE UNITED STATES FOR FREE REPLACEMENT.**

This warranty does not include expendable parts such as lamps, batteries, bits or blades.

This warranty is void if this tool is used for commercial or rental purposes.

This warranty gives you specific legal rights, and you may also have other rights which vary from state to state.

Sears, Roebuck and Co., Hoffman Estates, IL 60179

**SAVE THESE INSTRUCTIONS!
READ ALL INSTRUCTIONS!**

⚠ WARNING: Some dust created by using power tools contains chemicals known to the State of California to cause cancer and birth defects or other reproductive harm.

SAFETY SYMBOLS

The purpose of safety symbols is to attract your attention to possible dangers. The safety symbols, and the explanations with them, deserve your careful attention and understanding. The symbol warnings **DO NOT** by themselves eliminate any danger. The instructions and warnings they give are no substitutes for proper accident prevention measures.

⚠ WARNING: BE SURE to read and understand all safety instructions in this manual, including all safety alert symbols such as "DANGER", "WARNING" and "CAUTION", BEFORE using this tool. Failure to follow all instructions listed below may result in electric shock, fire and/or serious personal injury.

SYMBOL MEANING

⚠ SAFETY ALERT SYMBOL: Indicates DANGER, WARNING, OR CAUTION. May be used in conjunction with other symbols or pictographs.

⚠ DANGER Failure to obey this safety warning **WILL** result in death or serious injury to yourself or to others. Always follow the safety precautions to reduce the risk of fire, electric shock and personal injury.

⚠ WARNING Failure to obey this safety warning **CAN** result in death or serious injury to yourself or to others. Always follow the safety precautions to reduce the risk of fire, electric shock and personal injury.

⚠ CAUTION Failure to obey this safety warning **MAY** result in personal injury to yourself or others or property damage. Always follow the safety precautions to reduce the risk of fire, electric shock and personal injury.

DAMAGE PREVENTION AND INFORMATION MESSAGES

These inform user of **important information and/or instructions** that could lead to equipment or other property damage if not followed. Each message is preceded by the word "NOTE:" as in the example below:

NOTE: Equipment and/or property damage may result if these instructions are not followed.



⚠ WARNING: The operation of any drill/driver can result in foreign objects being thrown into your eyes, which can result in severe eye damage. Before beginning power tool operation, **ALWAYS** wear safety goggles or safety glasses with side shield and a full-face shield when needed. We recommend a Wide Vision Safety Mask for use over eyeglasses or standard safety glasses with side shield, available at Sears Stores or other Craftsman Outlets.

SAFETY INSTRUCTIONS

⚠ WARNING: BE SURE to read and understand all instructions in this manual before using this drill/driver. Failure to follow all instructions may result in electric shock, fire and/or serious personal injury.

WORK AREA SAFETY

1. **Keep your work area clean and well lit.** Cluttered workbenches and dark areas invite accidents.
2. **DO NOT operate power tools in explosive atmospheres, such as in the presence of flammable liquids, gases, or dust.** Power tools create sparks which may ignite the dust or fumes.
3. **Keep bystanders, children and visitors away while operating a power tool.** Distractions can cause you to lose control.
4. **Make your workshop childproof** with padlocks and master switches. Lock tools away when not in use.

PERSONAL SAFETY

1. **KNOW your cordless drill/driver.** Read the operator's manual carefully. Learn the tool's applications and limitations, as well as the specific potential hazards related to this tool.
2. **STAY ALERT,** watch what you are doing and use common sense when operating a power tool.
3. **DO NOT** use power tools while tired or under the influence of drugs, alcohol or medication. A moment of inattention while operating power tools may result in serious personal injury.
4. **DRESS properly. DO NOT** wear loose clothing or jewelry. Pull back long hair. Keep your hair, clothing, and gloves away from moving parts. Loose clothing, or long hair can be caught in moving parts. Air vents often cover moving parts and should also be avoided.
5. **AVOID** accidental starting. Be sure trigger switch is in the "Locked OFF" position before inserting battery pack. **DO NOT** carry tools with your finger on the trigger switch. Carrying tools with your finger on the trigger switch or inserting the battery pack in tools that have the switch in the "FORWARD" OR "REVERSE" position invites accidents.
6. **Do not overreach. Keep proper footing and balance at all times.** Proper footing and balance enables better control of the tool in unexpected situations.
7. **ALWAYS SECURE YOUR WORK.** Use clamps or a vise to hold work when practical. It is safer than using your hand and frees both hands to operate tool.
8. **USE SAFETY EQUIPMENT. Always** wear eye protection. Dust mask, non-skid safety shoes, hard hat, or hearing protection must be used for appropriate conditions.

SAFETY INSTRUCTIONS cont.

TOOL USE AND CARE SAFETY

⚠ WARNING: BE SURE to read and understand all instructions before operating this drill/driver. Failure to follow all instructions listed below may result in electric shock, fire and/or serious personal injury.

1. **ALWAYS use clamps or other practical ways to secure and support the workpiece to a stable platform.** Holding the work by hand or against your body is unstable and may lead to loss of control.
2. **DO NOT force the tool. Use the correct tool and accessory bit for your application.** The correct tool and bit will do the job better and safer at the rate for which it is designed.
3. **DO NOT use the tool if trigger switch does not turn it "On" or "Off".** Any tool that cannot be controlled with the trigger switch is dangerous and must be repaired.
4. **REMOVE the battery pack from the drill/driver or place the forward/reverse selector switch with power lock-off in the "Lock Off" position before making any adjustments, changing accessories or storing the tool.** Such preventive safety measures reduce the risk of starting the tool accidentally.
5. **STORE idle tools out of the reach of children and other untrained persons.** Tools are dangerous in the hands of untrained users.
6. **ALWAYS remove battery pack and store separately when drill/driver is not being used.**
7. **When battery pack is not in use, keep it away from other metal objects like: paper clips, coins, keys, nails, screws, or other small metal objects that can make a connection from one terminal to the other.** Shorting the battery terminals together may cause burns to skin, sparks and/or a fire.
8. **MAINTAIN tools with care. Keep cutting tools such as twist drill bits sharp and clean.** Properly maintained tools with sharp cutting edges are less likely to bind and are easier to use and control.
9. **CHECK for misalignment or binding of moving parts,** breakage of parts, and any other condition that may affect the tool's operation. If damaged, have the tool serviced before using. Many accidents are caused by poorly maintained tools.
10. **USE ONLY accessories that are recommended for this tool.** Accessories that may be suitable for one tool may become hazardous when used on another tool. **See page 24 for accessories.**
11. **Keep the tool and its handle dry, clean and free from oil and grease. Always use a clean cloth when cleaning. Never use brake fluids, gasoline, petroleum-based products, or any strong solvents to clean your tool.** Following this rule will reduce the risk of loss or control and deterioration of the enclosure plastic.

SAFETY INSTRUCTIONS cont.

ELECTRICAL SAFETY

⚠ WARNING: BE SURE to read and understand all instructions before operating this drill/driver. Failure to follow all instructions listed below may result in electric shock, fire and/or serious personal injury.

A battery operated tool with integral batteries or a separate battery pack must be recharged only with the specified charging stand/transformer for the battery. A charger that may be suitable for one type of battery may create a risk of fire when used with another battery.

1. Use battery operated drill/driver only with the specifically designated battery pack listed. Use of any other battery pack may create a risk of fire.
2. Use battery pack only with the specifically designated charging stand/transformer listed.

MODEL	TRANSFORMER	CHARGING STAND	BATTERY PACK
172.10300 (9.6V)	CDT109JU-48 (HD-DC12-200)	CDT109JU-49	CDT109JU-50 (ABP309)
172.10400 (12.0V)	CDT112JU-48 (HD-DC15-200)	CDT112JU-49	CDT112JU-50 (ABP312)

3. **Do not abuse the power cord on the charging stand/transformer.** Never carry the charging stand/transformer by its power cord. Never pull the power cord to remove the transformer from the power outlet. Damage to the cord or charging stand/transformer could occur and create an electric shock hazard. Keep cord away from heat, oil, sharp edges or moving parts. Replace damaged cords immediately. Damaged cords increase the risk of electric shock.

SAFETY SYMBOLS FOR YOUR TOOL

The label on your tool may include the following symbols.

V.....	Volts
A.....	Amps
Hz.....	Hertz
W.....	Watts
min.....	Minutes
~.....	Alternating current
—.....	Direct current
n _o	No-load speed
□.....	Class II construction, Double Insulated
.../min.....	Revolutions or Strokes per minute
⚠.....	Indicates danger, warning or caution. It means attention! Your safety is involved.

SERVICE SAFETY

1. **If any part of this cordless drill / driver or charging stand/transformer is missing or should break, bend, or fail in any way; or should any component fail to perform properly:** have the missing, damaged or failed parts replaced **BEFORE** resuming operation.
2. **Tool service must be performed only at a Sears Parts and Repair Center.** Service or maintenance performed by unqualified personnel could result in a risk of injury.
3. **When servicing a tool, use only identical replacement parts. Follow instructions in the maintenance section of this manual.** Use of unauthorized parts or failure to follow maintenance instructions may create a risk of electric shock or injury.

SAFETY INSTRUCTIONS cont.

SPECIFIC SAFETY RULES FOR CORDLESS DRILL / DRIVERS

1. **Know your cordless drill / driver. Read operator's manual carefully. Learn its applications and limitations, as well as the specific potential hazards related to this tool. Following this rule will reduce the risk of electric shock, fire, or serious injury.**
2. **BE SURE that twist drill bits, screwdriver bits and other accessory attachments are properly and securely mounted in the chuck jaws BEFORE operating the drill / driver.**
3. **ALWAYS** carefully inspect the material you are going to drill/drive into. Drilling/driving into nails, pipes and electrical wires can cause serious personal injury.
4. **HOLD DRILL / DRIVER by insulated gripping surfaces (handles) when performing an operation where the tool may drill/drive into hidden wiring.** Contact with a "live" wire will make the exposed metal parts of the tool "live" and shock the operator.
5. **NEVER hold the piece being drilled in your hands or across your legs.** It is important to support and clamp the workpiece properly in order to minimize body exposure, bit binding, or loss of control.
6. **Maintain a firm grip** on the drill/driver to resist starting torque.
7. Use sharp accessory bits only. **For drilling in WOOD** use twist drill bits, spade bits, or power auger bits. **For METAL** use high-speed steel twist drill bits. **For MASONRY** use carbide-tipped bits. **For PLASTIC** use low drilling speeds for material with a low melting point. **For SCREWDRIVING** use the proper size screwdriving bit for the screwdriving application such as Phillips, slotted and square recess bits.
8. **BE SURE** the material to be drilled is stationary, anchored or clamped firmly. If drilling thin material, use a back-up block to prevent damage to the material.
9. **ONLY USE** the specifically designated battery pack that was included with this drill / driver and charging stand / transformer. Use of any other battery packs may create a risk of injury and fire.
10. **Cordless tools do not have to be plugged into an electrical outlet; therefore, they are always in operating condition. Be aware of possible hazards when not using your battery operated tool or when changing accessories.** Following this rule will reduce the risk of electric shock, fire, or serious personal injury.
11. **Do not place battery tools or their batteries near fire or heat.** This will reduce the risk of explosion and possible injury.
12. **Do not crush, drop or damage battery pack. Never use a battery pack or charging stand/transformer that has been dropped or received a sharp blow.** A damaged battery is subject to explosion. Properly dispose of a dropped or damaged battery immediately.
13. **Batteries vent hydrogen gas and can explode in the presence of a source of ignition, such as a pilot light.** To reduce the risk of personal injury, never use any cordless product in the presence of open flame. An exploded battery can propel debris and chemicals. If exposed, flush with water immediately.

SAFETY INSTRUCTIONS cont.

SPECIFIC SAFETY RULES FOR CORDLESS DRILL /DRIVERS cont.

14. **Do not charge battery pack in a damp or wet location.** Following this rule will reduce the risk of electric shock.
15. For best results, your battery pack should be charged in a location where the temperature is more than 50°F but less than 100°F. Do not store battery outside or in vehicles.
16. **Under extreme usage or temperature conditions, battery leakage may occur. If liquid comes in contact with your skin, wash immediately with soap and water, then neutralize with lemon juice or vinegar. If liquid gets into your eyes, flush them with clean water for at least 10 minutes, then seek immediate medical attention. Following this rule will reduce the risk of serious personal injury.**
17. **Save these instructions.** Refer to them frequently and use them to instruct others who may use this tool. If you loan someone this tool, loan them these instructions also to prevent misuse of the product and possible injury.

SAFETY RULES FOR BATTERY CHARGER STAND/TRANSFORMER

⚠ WARNING: READ AND UNDERSTAND ALL INSTRUCTIONS. Failure to follow all instructions listed below may result in electric shock, fire and / or serious personal injury.

NOTE: Before using battery charging stand/transformer, read all instructions and cautionary markings in this manual, on battery charging stand/transformer, battery pack, and drill/driver using battery pack to prevent misuse of the products and possible injury or damage.

⚠ CAUTION: USE ONLY the specifically designated charging stand/transformer that was supplied with this drill/driver when charging the battery pack. The use of any other charging stand/transformer could damage the battery pack and create a hazardous condition.

⚠ CAUTION: To reduce the risk of electric shock or damage to the charging stand/transformer and battery pack, charge only the specifically designated Companion battery pack that was included with this drill/driver and the charging stand/transformer. Charging other types of battery packs may cause them to burst, causing personal injury and damage.

1. **Do not use the charging stand/transformer outdoors or expose to wet or damp conditions.** Water entering charging stand will increase the risk of electric shock.
2. **Use of an attachment with this charging stand/transformer that is not recommended may result in a risk of fire, electric shock, or injury to persons.**

SAFETY INSTRUCTIONS cont.

SAFETY RULES FOR BATTERY CHARGER STAND/TRANSFORMER cont.

3. **Do not abuse the cord on the charging stand.** Never carry the charging stand/transformer by its power cord. Never pull the power cord to remove the transformer from the power outlet. Damage to the cord or charging stand/transformer could occur and create an electric shock hazard. Keep cord away from heat, oil, sharp edges or moving parts. Replace damaged cords immediately. Damaged cords increase the risk of electric shock.
4. **Make sure cord is located so that it will not be stepped on, tripped over, come in contact with sharp edges or moving parts, heat, oil, or otherwise subjected to damage or stress.** This will reduce the risk of accidental falls, which could cause injury, and damage to the cord which could result in electric shock.
5. **Keep cord and charging stand/transformer away from heat to prevent damage to housing or internal parts.**
6. **Do not let gasoline, oils, petroleum-based products, etc. come in contact with plastic parts.** They contain chemicals which can damage, weaken or destroy plastic.
7. **An extension cord should not be used unless absolutely necessary.** Use of improper extension cord could result in a risk of fire and electric shock. If an extension cord must be used, make sure: **a)** That pins on plug of extension cord are the same number, size and shape as those of transformer on charger, **b)** That extension cord is properly wired and in good electrical condition, and **c)** That you use a proper extension cord. ONLY use cords listed by Underwriters Laboratories (UL). Other extension cords can cause a drop in line voltage, resulting in a loss of power and overheating of charging stand/transformer. An AWG (American Wire Gauge) size of at least 14-gauge is recommended for an extension cord of 25-ft. or less in length. Use 12-gauge for an extension cord of 50-ft. **Extension cords 100-ft. or longer are not recommended.**
8. **INSPECT tool cords for damage. Do not operate charging stand with a damaged cord or transformer, which could cause shorting and electric shock.** Have damaged tool cords repaired at a Sears Service Center.
9. **Do not operate charging stand/transformer if it has received a sharp blow, been dropped, or otherwise damaged in any way.** Take it to an authorized serviceman for electrical check to determine if the charging stand/transformer is in good working order.
10. **Do not disassemble charging stand/transformer. Take it to a Sears Parts and Repair Center when service or repair is required.** Incorrect reassembly may result in a risk of electric shock or fire.
11. **Disconnect charging stand/transformer from the power supply when not in use.** This will reduce the risk of electric shock or damage if metal items should fall into the opening in the charging stand. It also will help prevent damage during a power surge.
12. **Risk of electric shock. Do not touch** un-insulated portion of output connector or un-insulated battery terminal.
13. **Save these instructions.** Refer to them frequently and use them to instruct others who may use this tool. If you loan someone this tool, loan them these instructions also to prevent misuse of the product and possible injury.

SAFETY INSTRUCTIONS cont.

SAFETY RULES FOR BATTERY CHARGER STAND/TRANSFORMER cont.

⚠ WARNING: Some dust created by using power tools contains chemicals known to the State of California to cause cancer and birth defects or other reproductive harm.

Some examples of these chemicals are:

- Lead from lead-based paints.
- Crystalline silica from bricks and cement and other masonry products.
- Arsenic and chromium, from chemically treated lumber.

Your risk from these exposures varies, depending upon how often you do this type of work. To reduce your exposure to these chemicals:

- Work in a well-ventilated area.
- Work with approved safety equipment, such as those dust masks that are specially designed to filter out microscopic particles.

Avoid prolonged contact with dust from power sanding, sawing, grinding, drilling and other construction activities. Wear protective clothing and wash exposed areas with soap and water. Allowing dust to get into your mouth, eyes, or lay on the skin may promote absorption of harmful chemicals.

⚠ WARNING: Use of this tool can generate and/or disburse dust, which may cause serious and permanent respiratory or other injury. Always use NIOSH/OSHA approved respiratory protection appropriate for the dust exposure. Direct particles away from face and body.

ADDITIONAL RULES FOR SAFE OPERATION

⚠ WARNING: BE SURE to read and understand all instructions. Failure to follow all instructions listed may result in electric shock, fire and/or serious personal injury.

1. **Know your drill/driver.** Read operator's manual carefully. Learn the applications and limitations, as well as the specific potential hazards related to this tool. Following this rule will reduce the risk of electric shock, fire or serious injury.
2. **ALWAYS wear safety glasses or eye shields when using this drill/driver.** Everyday eyeglasses have only impact-resistant lenses; they are NOT safety glasses.
3. **PROTECT your lungs.** Wear a face mask or dust mask if the operation is dusty.
4. **PROTECT your hearing.** Wear appropriate personal hearing protection during use. Under some conditions noise from this product may contribute to hearing loss.
5. **SAVE THESE INSTRUCTIONS.** Refer to them frequently and use them to instruct others who may use this tool. If someone borrows this tool, make sure they have these instructions also.

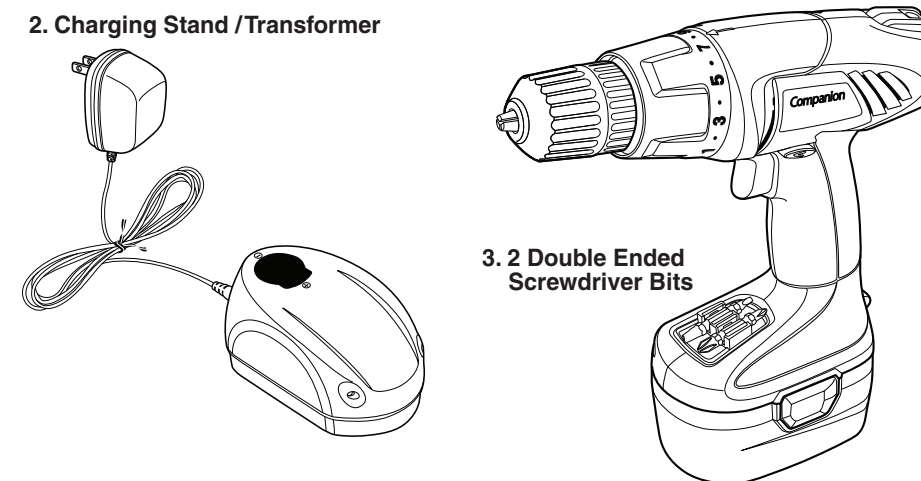
UNPACKING

This product has been shipped completely assembled.

1. Carefully remove the tool and accessories from the box.
2. Make sure that all items listed in the packing list are included.
3. Inspect the tool carefully to make sure no breakage or damage occurred during shipping.
4. Do not discard the packing material until you have carefully inspected and satisfactorily operated the tool.
5. If any parts are missing, return to the nearest Sears store or other Craftsman outlet to have the Drill/Driver replaced.

PACKING LIST:

1. Drill/Driver with Battery Pack (in Drill)



2. Charging Stand /Transformer

3. 2 Double Ended
Screwdriver Bits

4. Operator's Manual

⚠ WARNING: If any parts are missing do not operate this tool until the missing parts are replaced. Failure to do so could result in possible serious personal injury.

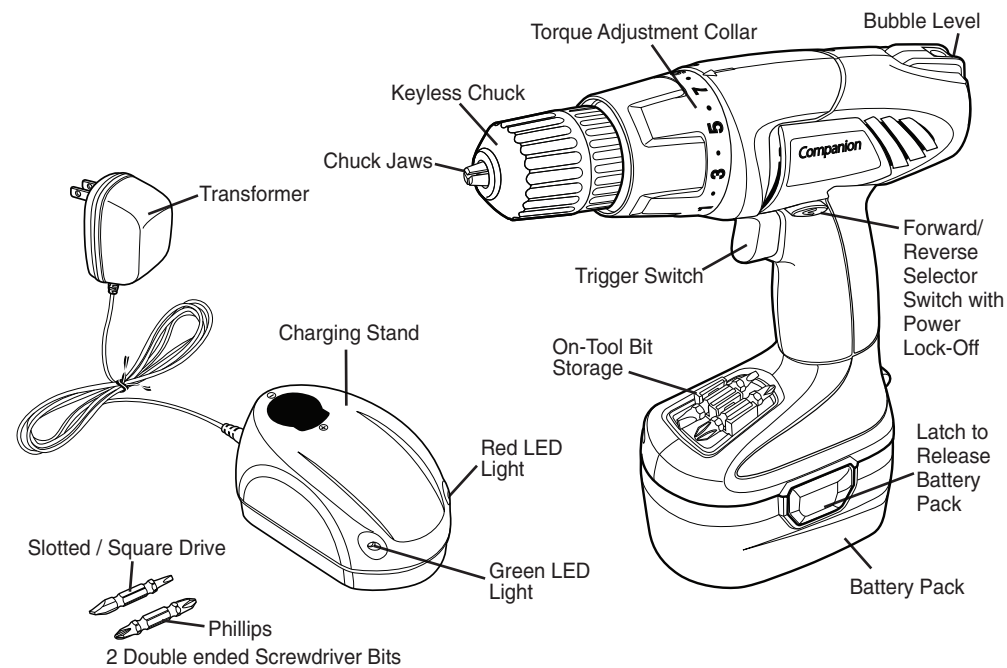
⚠ WARNING: Do not attempt to modify this tool or create accessories not recommended for use with this tool. Any such alteration or modification is misuse and could result in a hazardous condition leading to possible serious personal injury

⚠ WARNING: To prevent accidental starting that could cause serious personal injury, always remove the battery pack from the tool when assembling parts.

DESCRIPTION

KNOW YOUR CORDLESS DRILL/DRIVER (Fig. 1)

NOTE: Before attempting to use this product, familiarize yourself with all operating features and safety rules.



This Drill/Driver has many features for making its use more pleasant and enjoyable. Safety, performance and dependability have been given top priority in the design of this product, making it easy to maintain and operate.

This Cordless Drill/Driver has the following features:

1. **Forward / Reverse Selector Switch with Power Lock-Off** This switch is located above and to the rear of the trigger switch. This switch has embossed arrows which show bit rotation (forward or reverse). Push switch completely to left or right for desired rotation. Push switch to center position to **lock power off**. This "lock power off" position helps reduce the possibility of accidental starting when your drill/driver is not in use or you are changing accessory bits.

DESCRIPTION cont.

This Cordless Drill/Driver has the following features cont.:

2. **Keyless Chuck** allows you to hand-tighten or loosen and release accessory bits in the chuck jaws without a chuck key.
3. **Torque Adjustment Collar** provides you with 15 + 1 different torque settings, ideal for driving different types of screws into different types of materials, and a setting for heavy (twist bit) drilling (most torque).
4. **Electric Brake** stops the bit rotation as soon as the trigger switch is released, ideal when driving screws.
5. **Bubble Level** help provide more accurate vertical and horizontal drilling and driving.
6. **Magnetic Bit Tray** for holding screwdriver bits. This tray is located at the front base of the drill / driver's handle and is handy for keeping the bits you are using on a project ready for use.
7. **Soft-Grip Handle Insert** provides positive gripping for maximum control and comfort.
8. **Includes 2 Double Ended Screwdriver Bits**, 1 phillips and 1 slotted / square drive

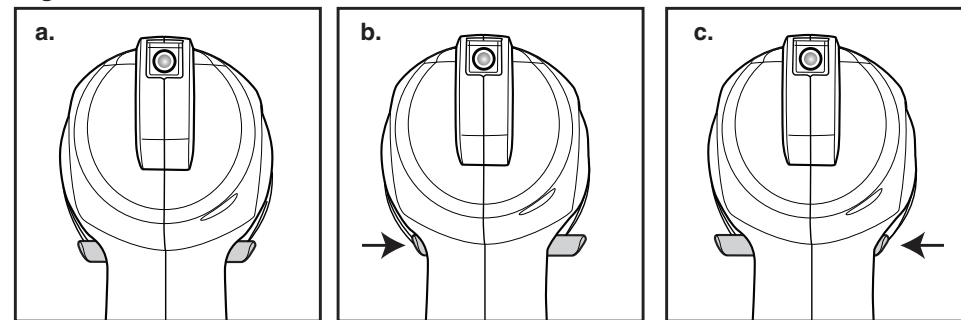
PRODUCT SPECIFICATIONS

Model No. 10300:			
Chuck	3/8-in. keyless	Clutch	15 + 1 Position
Motor	9.6 Volt	Torque	Max. 80 in.-lbs.
Switch	Variable Speed	Charger Input	120V, 60Hz AC
No Load Speed	0-500/min.	Charge Rate	3 – 5 Hours
Model No. 10400:			
Chuck	3/8-in. keyless	Clutch	15 + 1 Position
Motor	12.0 Volt	Torque	Max. 85 in.-lbs.
Switch	Variable Speed	Charger Input	120V, 60Hz AC
No Load Speed	0-500/min.	Charge Rate	3 – 5 Hours

OPERATION

FORWARD / REVERSE SELECTOR SWITCH with POWER LOCK-OFF (Fig. 2)

Fig. 2



POWER LOCK-OFF

FORWARD

REVERSE

The direction of bit rotation is forward or reverse and is controlled by a selector switch located above and to the rear of the trigger switch. When holding the drill/driver in the normal operating position, (and viewed from the back of the drill/driver see Fig 2 a, b, c), the selector switch should be positioned (pushed) all the way to the RIGHT, for FORWARD (b) or normal drilling/driving, and positioned (pushed) all the way to the LEFT for REVERSE (c) to remove drill bits and back out screws.

The third position for the selector switch is located in the CENTER (a). This position keeps the trigger switch from working, locking the power "OFF". Setting the selector switch in the "OFF" or CENTER position helps reduce the possibility of accidental starting when the tool is not in use.

CAUTION: To prevent gear damage, always allow the chuck to come to a complete stop before changing the direction of rotation.

REMOVE BATTERY PACK FROM DRILL / DRIVER (Fig. 3)

1. Place the Forward / Reverse Selector Switch with Power Lock-Off into the center position to lock the power off (see Fig. 2, above).
2. Locate the latches on each side of the battery pack. Depress (squeeze in) latches and pull battery pack out of drill.

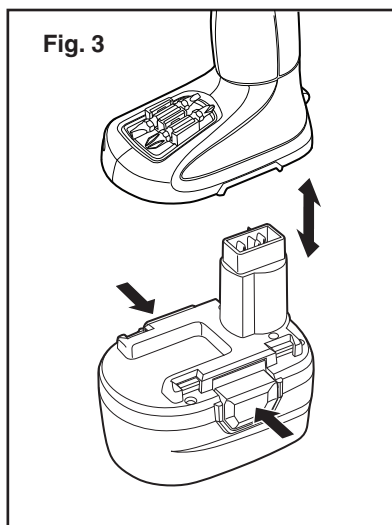


Fig. 3

OPERATION cont.

CHARGING THE BATTERY PACK (Fig. 4 and 4a)

The battery pack for this tool has been shipped in a low charge condition to prevent possible problems. Therefore, you should charge overnight prior to use.

NOTE: Batteries will not reach full charge the first time they are charged. Allow several cycles (operation followed by recharging) for them to become fully charged.

1. Charge battery pack only with the charging stand/transformer that was supplied with this drill/driver.
2. Make sure power supply is normal household voltage, 120 volts, 60 Hz, AC only.
3. Connect charging stand's transformer to power supply.
4. Place battery pack in charging stand. Align raised rib on battery pack with groove in charging stand (See Fig. 4).
5. Press battery pack down into charging stand making sure contacts are engaged properly.
6. The charging stand has two (LED) indicator lights, one green and one red.

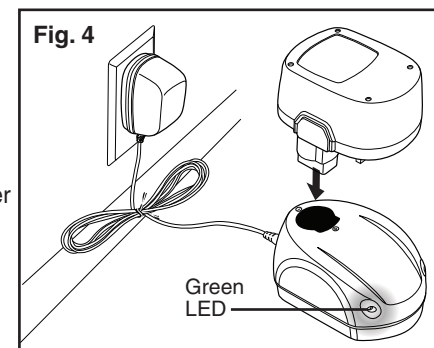


Fig. 4

7. When the charging stand's transformer is plugged into a power outlet, the green LED will light, indicating that the charger is operating properly.
- When a battery pack is put into the charging stand/transformer, the red LED will light, indicating that the battery pack is charging properly (see Fig. 4a).

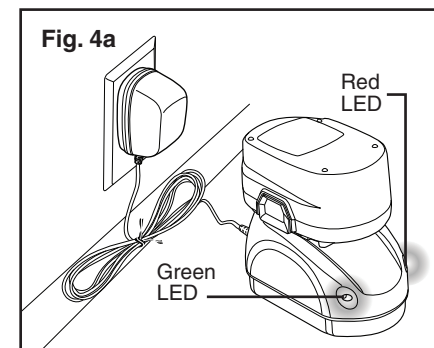


Fig. 4a

Both lights will remain "On" as long as the charging stand/transformer is plugged in and the battery pack is charging.

When the battery pack is charged and removed from the charging stand, the red light will go Off. The green LED will stay "On" as long as the charging stand/transformer is plugged into a power supply and operating properly.

NOTE: If the charging stand LED lights do not operate properly, or the charging stand does not charge the battery pack, return the drill/driver, charging stand/transformer and battery pack to your nearest Sears store or other Craftsman outlet to have it replaced.

7. After normal use, 3 hours or less of charging time is required to fully recharge battery pack. If battery pack is completely discharged, 6 hours or longer of charging time is required to fully recharge battery pack.

OPERATION cont.

CHARGING THE BATTERY PACK cont. (Fig. 4 and 4a)

8. The battery pack will become slightly warm to the touch while charging. This is normal and does not indicate a problem.
9. Do not place the charging stand/transformer in an area of extreme heat or cold. It will work best at normal room temperature.
10. When battery pack becomes fully charged, unplug charging stand/ transformer from power supply and remove the battery pack.

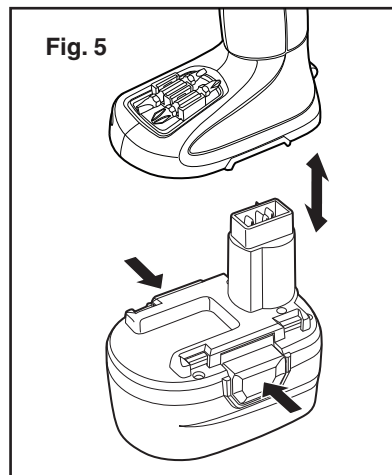
CHARGING A HOT BATTERY PACK

When using your tool continuously, the batteries in your battery pack will become hot. You should let a hot battery pack cool down for approximately 30 minutes before attempting to recharge.

NOTE: This situation only occurs when continuous use of your drill / driver causes the batteries to become hot. It does not occur under normal circumstances. Refer to "Charging the Battery Pack" for normal recharging of batteries. If the charging stand does not charge your battery pack under normal circumstances, return both the battery pack and charging stand/transformer to your nearest Sears Repair Center for an electrical check.

INSTALLING THE BATTERY PACK IN DRILL/DRIVER (Fig. 5)

1. Place the Forward / Reverse Selector Switch with Power Lock-Off into the center position to lock the power off.
2. Place the battery pack into the drill. Align the raised rib on battery pack with groove inside the drill.
3. Make sure the latches on each side of the battery pack "snap" into place, and the battery pack is secured in the drill/driver before beginning operation.



CAUTION: When placing battery pack in the tool, be sure raised rib on battery pack aligns with the bottom of the drill and latches into place properly. Improper installation of the battery pack can cause damage to internal components.

WARNING: Cordless Battery Tools are always in operating condition when the battery pack is installed in the tool. Therefore the Forward / Reverse Selector Switch with Power Lock-Off should always be in the center position, locking the power off, when the tool is not in use or when you are carrying it at your side.

16

OPERATION cont.

ELECTRIC BRAKE

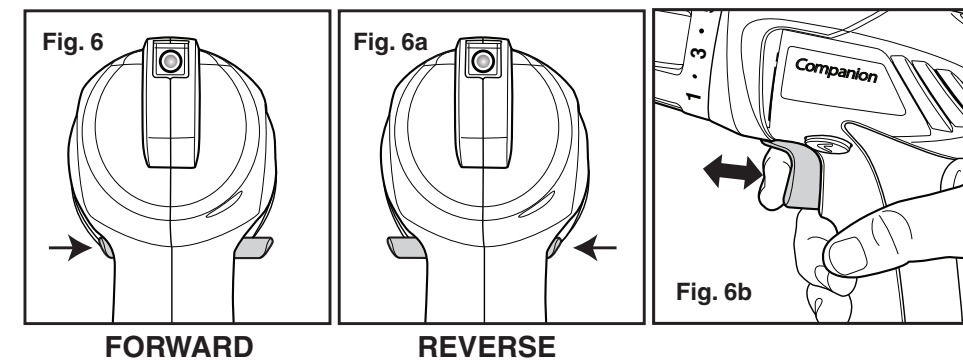
To stop the drill/driver, release the trigger switch and the electric brake will stop the chuck instantly.

NOTE: The drill/driver will not operate unless the Forward/Reverse Selector Switch with Power Lock-Off is pushed fully to the left (forward) or to the right (reverse).

Avoid running the drill / driver at low speeds for extended periods of time. Running at low speeds under constant usage may cause the drill/driver to become overheated. If this occurs, cool the drill / driver by running it without a load and at full speed.

TRIGGER SWITCH (Fig. 6 and 6a)

To turn the drill ON, push the Forward / Reverse Selector Switch with Power Lock-Off to the **FORWARD** or **REVERSE** location (see arrow direction embossed on switch), and depress the trigger switch. To turn the drill OFF, release the trigger switch.



VARIABLE SPEED (Fig. 6b)

The variable speed trigger switch delivers **higher speed and torque** with increased pressure on the trigger switch and **lower speed** with decreased pressure on the trigger switch.

NOTE: You might hear a whistling or ringing noise from the trigger switch when operating at low speeds. Do not be concerned; this is a normal part of the switch function.

17

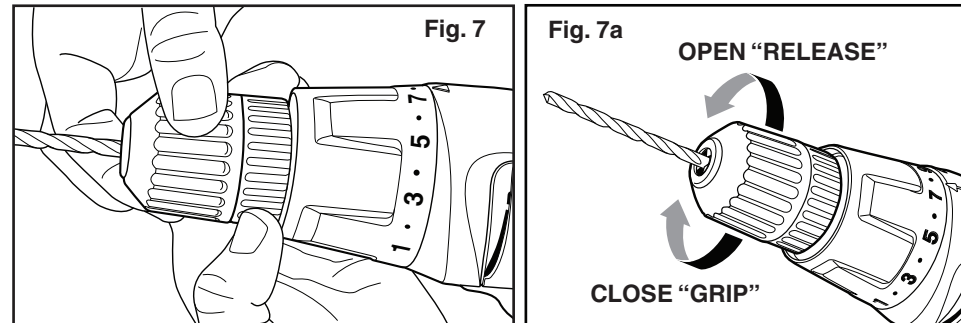
OPERATION cont.

KEYLESS CHUCK (Fig. 7)

The drill/driver has a keyless chuck which allows you to hand tighten or loosen accessory bits without the use of a chuck key.

1. Grasp and hold the rear chuck collar with one hand (see Fig. 7).
2. Rotate the front of the chuck with your other hand, clockwise (as viewed from the front of the chuck), to CLOSE the chuck jaws and tighten ("GRIP") the accessory bit in the jaws.
3. Rotate the front of the chuck **counterclockwise** to OPEN the chuck jaws to loosen ("RELEASE") the accessory bit from the chuck jaws (see Fig. 7a).

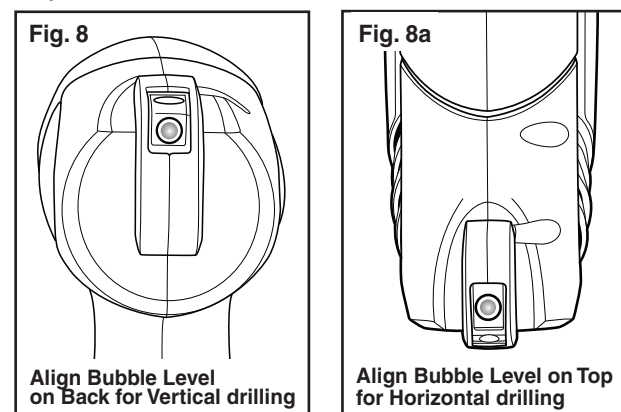
NOTE: ON THE VERY FRONT OF THE CHUCK there are "HANDS" that point the direction to rotate the front of the chuck to "GRIP" or "RELEASE" the accessory bits.



⚠ WARNING: Do not hold the chuck body with one hand and use the power of the drill / driver to tighten the chuck jaws on the accessory bit. The chuck body could slip in your hand, or your hand could slip and come in contact with the rotating accessory bit. This could cause an accident resulting in serious personal injury.

BUBBLE LEVELS (Fig. 8 an 8a)

In order to insure a perfect right angle when drilling/driving into a workpiece, you can use the built-in bubble level on the back of the drill / driver (see Fig. 8). The bubble level is designed to work when drilling/driving in either a horizontal or vertical position. Line the air bubble up in the appropriate circle, and the drill/driver is in a perpendicular angle to the workpiece. This will insure that you drill/drive straight into the workpiece.

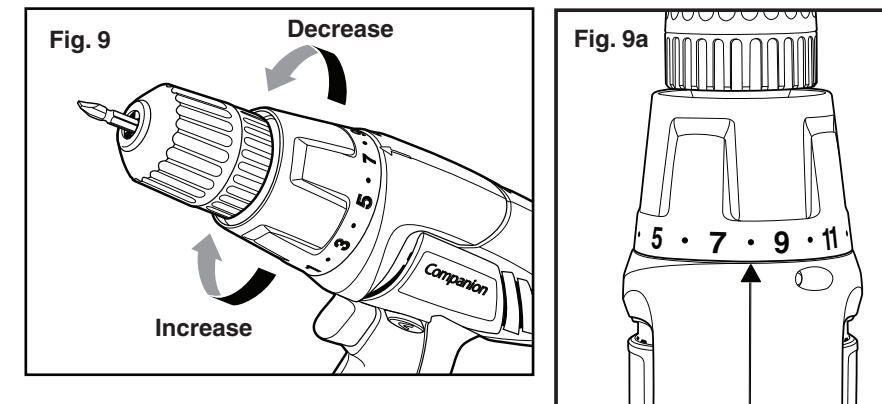


18

OPERATION cont.


15 PLUS 1 ADJUSTABLE TORQUE CLUTCH (Fig. 9, 9a and 9b)


This drill / driver is equipped with an adjustable clutch that has 16 different torque settings. These torque settings allow you to efficiently perform various drilling and screw driving applications. To adjust the clutch, hold the handle of the drill / driver with one hand and with the other hand turn the clutch collar to the left or right (see Fig. 9), and line the desired setting (number or symbol) up to the embossed arrow on the top of the drill/driver's motor housing (see Fig. 9a).



Use the following guidelines to arrive at a proper torque setting.

Fig. 9b

1 – 3	For driving small screws (least torque)
4 – 6	For driving screws into soft material
7 – 9	For driving screws into soft and hard materials
10 – 12	For driving screws in hard woods
13 – 15	For driving larger screws
	For normal to heavy twist drilling into all building materials (most torque)

1. For normal drilling in wood, metal and plastics, turn and set the collar to the drilling position symbol 
2. For screw driving, turn and set the collar to the desired setting 1 through 15. If you are not sure of the appropriate setting using the guidelines in the chart (Fig. 9b), proceed as follows;
 - Set the collar to the lowest setting, "1"
 - Drive and tighten the first screw
 - If the clutch ratchets before the screw is tightened, increase the torque setting and continue to tighten the screw.
 - Repeat this process until you reach a torque setting that drives and tightens the screw without the clutch ratcheting.
 - Use that torque setting to drive and tighten the remaining screws.

19

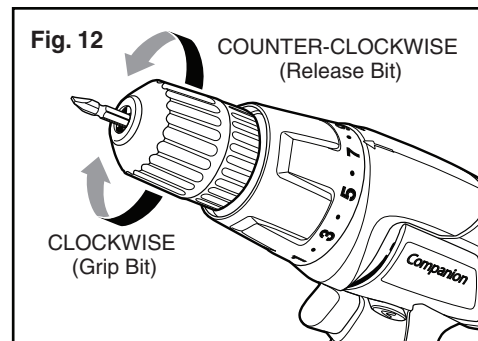
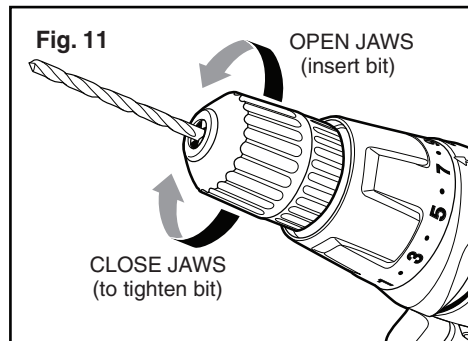
OPERATION cont.

INSTALLING ACCESSORY BITS (Figs. 11, 12 and 13)

1. Lock the trigger switch Off by placing the Forward / Reverse Selector Switch with Power Lock-Off in the Center position.
2. Open or close the chuck jaws to a point where the opening is slightly larger than the bit size you intend to use. Also, raise the front of the drill slightly to keep the bit from falling out of the chuck jaws (see Fig. 11 and 12).
3. Insert the accessory bit.
4. Rotate the chuck clockwise to tighten (GRIP) the chuck jaws securely on the bit.

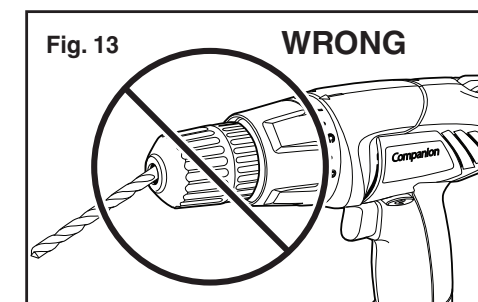
⚠ WARNING: Make sure to insert the accessory bit straight into the chuck jaws. Do not insert the accessory bit into the chuck jaws at an angle then tighten, as shown in Figure 13. This could cause the bit to be thrown from the drill, resulting in possible serious personal injury or damage to the chuck.

NOTE: Rotate the chuck body in the direction of the “HAND POINTING” marked “GRIP” to tighten the chuck jaws. DO NOT use a wrench to tighten or loosen the chuck jaws.



REMOVING BITS (Figs. 11 and 12)

1. Lock the trigger switch Off by placing the Forward / Reverse Selector Switch with Power Lock-Off in the Center position.
2. Rotate the chuck body counterclockwise to open the chuck jaws.
3. Remove the accessory bit.



NOTE: Rotate the chuck body in the direction of the HAND POINTING marked RELEASE to loosen the chuck jaws. DO NOT use a wrench to tighten or loosen the chuck jaws.

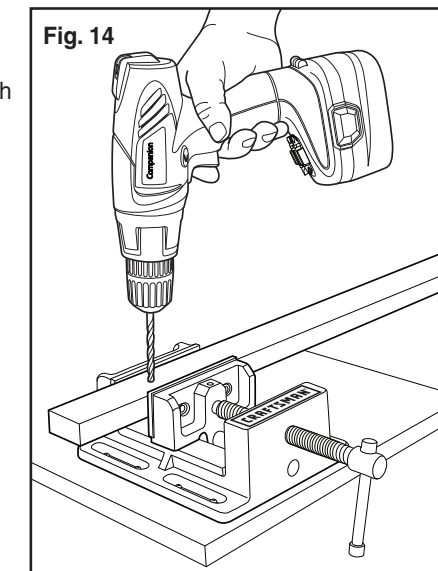
20

OPERATION cont.

OPERATION AS A DRILL (Fig. 14)

Turn and set the torque clutch collar to the drilling position symbol . Install and tighten the desired drill bit into the chuck.

1. Install the battery pack into the drill/driver.
2. Push the forward/reverse selector switch with power lock-off to the forward position.
3. For drilling in WOOD, use twist drill bits, spade bits and auger bits.
4. For drilling in METAL, use high speed twist drill bits. Use a cutting lubricant when drilling in metals. The exceptions are cast iron and brass, which should be drilled dry.
5. For drilling in MASONRY, use carbide tipped bits or masonry bits. A smooth, even flow of dust indicates the proper drilling speed.
6. Always apply pressure in a straight line with the bit. If necessary, use the bubble levels to drill straight into the workpiece. Use enough pressure to keep the bit biting, but do not push hard enough to stall the motor or deflect the bit.
7. Hold drill / driver firmly to control the twisting action of the drill / driver.
8. Move the drill bit into the workpiece, applying only enough pressure to keep the bit cutting. Do not force the drill or apply side pressure to elongate a hole. Let the tool do the work.
9. When drilling hard, smooth surfaces, use a center punch to mark the desired hole location. This will prevent the drill bit from slipping off-center as the hole is started.
10. If the drill/driver stalls, or the bit jams in the workpiece, it is usually because the drill / driver is being overloaded. RELEASE TRIGGER SWITCH IMMEDIATELY and remove bit from workpiece. Determine cause of stalling. DO NOT PRESS TRIGGER OFF AND ON IN AN ATTEMPT TO START A STALLED DRILL / DRIVER – THIS COULD DAMAGE THE DRILL / DRIVER.
11. Keep the motor running when pulling the bit back out of a drilled hole. This will help prevent jamming.



⚠ WARNING: Be prepared for binding at bit breakthrough. When these situations occur, drill/driver has a tendency to grab and kick opposite to the direction of rotation and could cause loss of control when breaking through material. If not prepared, this loss of control could result in possible serious injury.

NOTE: This drill/driver has an electric brake. When the trigger switch is released, the chuck stops turning instantly. When the brake is functioning properly, sparks will be visible through the vent slots on the housing. This is normal and is the action of the brake.

21

OPERATION cont.

OPERATION AS A SCREWDRIVER (Fig. 15)

Turn and set the torque clutch collar to the desired torque setting, 1 through 15. Install and tighten the desired fastener accessory bit into the chuck.

1. Install the battery pack into the drill/driver.
2. Push the forward/reverse selector switch to the forward position.
3. Follow the guidelines on page 19 to arrive at the proper torque setting for your job.
4. Make a few practice runs, driving screws in scrap material, to make sure you have the clutch set at the proper torque setting for your job.
5. When all adjustments are correct, drive and tighten your fasteners.
6. To remove fasteners, push forward/reverse selector switch to the reverse position.

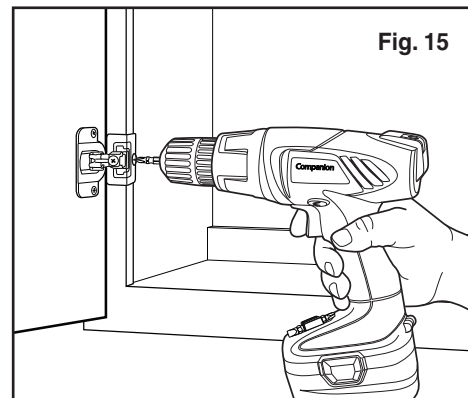


Fig. 15

ON-TOOL BIT STORAGE (Fig. 16)

Your drill/driver comes with 2 double-ended screwdriver bits, 1 phillips and 1 slotted / square drive. When not in use, these bits can be stored on the base

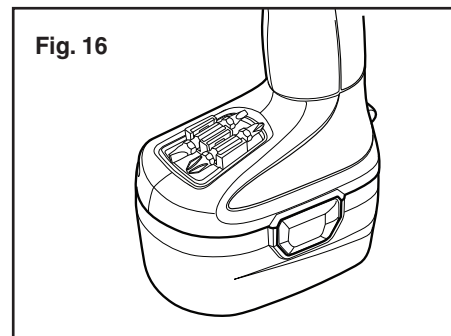


Fig. 16

MAINTENANCE

⚠ WARNING: When servicing, use only identical Sears replacement parts. Use of any other part may create a hazard or cause product damage.

⚠ WARNING: ALWAYS wear safety goggles or safety glasses with side shields when using compressed air to clean tools. If the operation is dusty, also wear a dust mask.

MAINTENANCE

⚠ WARNING: To avoid serious personal injury, always remove the battery pack from the tool when cleaning or performing any maintenance.

GENERAL MAINTENANCE

Avoid using solvents when cleaning plastic parts. Most plastics are susceptible to damage from various types of commercial solvents and may be damaged by their use. Use clean cloths to remove dirt, dust, oil and grease, etc.

⚠ WARNING: Do not at any time let brake fluids, gasoline, petroleum-based products, penetrating oils, etc., come in contact with plastic parts. Chemicals can damage, weaken or destroy plastic which may result in serious personal injury.

CHUCK REMOVAL (Figs. 17, 17a and 17b)

The chuck may be removed and replaced by a new one.

1. Lock the trigger switch by placing the Forward / Reverse Selector Switch with Power Lock-Off in center, or OFF position.
2. Insert a 5/16-in. or larger hex key into the jaws of the chuck of the drill and Tighten the chuck jaws securely.
3. Tap the hex key sharply with a mallet in a clockwise direction (see Fig. 17). This will loosen the screw in the chuck for easy removal.
4. Open the chuck jaws and remove the hex key. Using a Phillips screwdriver, remove the chuck screw by turning it in a clockwise direction (see Fig. 17a).

NOTE: The chuck screw has left hand threads.

5. Insert the hex key back into the chuck and tighten the chuck jaws securely. Tap sharply with a mallet in a counterclockwise direction (see Fig. 17b). This will loosen the chuck on the spindle. It can now be unscrewed by hand.

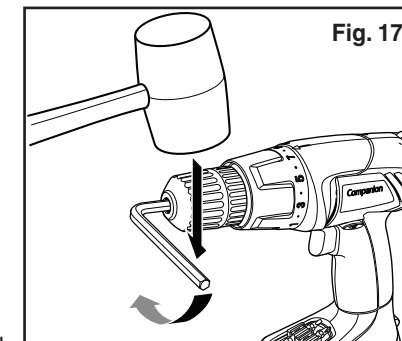


Fig. 17

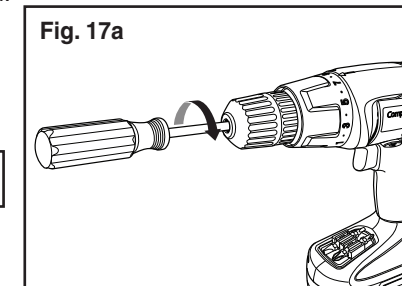


Fig. 17a

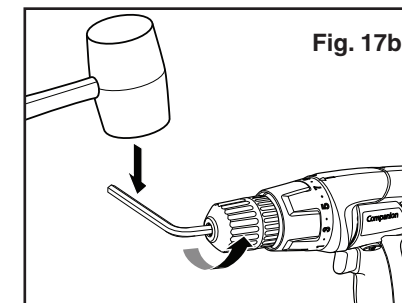


Fig. 17b

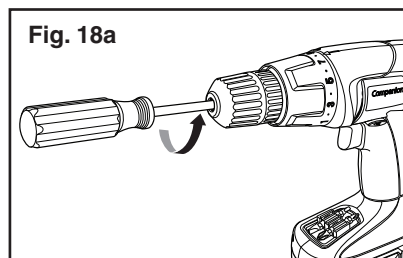
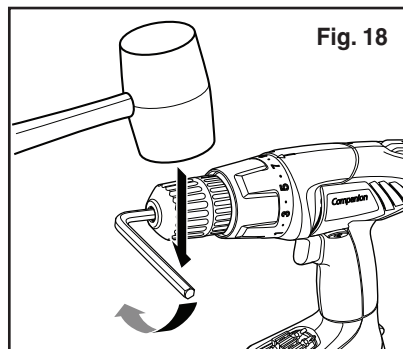
MAINTENANCE

TO RETIGHTEN A LOOSE CHUCK (Figs. 18 and 18a)

The chuck may become loose on the spindle and develop a wobble. Also, the chuck screw may become loose, causing the chuck jaws to bind and prevent them from closing.

To tighten:

1. Lock the trigger switch by placing the Forward / Reverse Selector Switch with Power Lock-Off in the center, or OFF position.
2. Open the chuck jaws.
3. Insert the hex key into the chuck and tighten the chuck jaws securely. Tap the hex key sharply with a mallet in a clockwise direction. This will tighten the chuck on the spindle.
4. Open the chuck jaws, and remove the hex key.
5. Tighten the chuck screw in a counter-clockwise direction.



ACCESSORIES

⚠ WARNING: The use of attachments or accessories that are not recommended for this tool might be dangerous and could result in serious injury.

Sears and other Craftsman® outlets offer a large selection of Craftsman and Companion drill/driver accessories designed for all your drill/driving applications.

Kits and sets specifically designed for drilling and driving. Twist drill bit sets, variety insert (screwdriver) bit sets, spade bit sets, carbide-tipped masonry drill bit sets, extra long bits, magnetic bit holders and more.

Visit your local Sears store or other Craftsman outlets or shop sears.com/craftsman for all of the accessories for your drill/driver.

ACCESSORIES cont.

BATTERIES

The battery pack for this tool is equipped with nickel-cadmium rechargeable batteries. Length of service from each charging will depend on the type of work you are doing.

The batteries in this tool have been designed to provide maximum trouble-free life. However, like all batteries, they will eventually wear out. **DO NOT** disassemble battery pack and attempt to replace the batteries. Handling of these batteries, especially when wearing rings and jewelry, could result in a serious burn.

To obtain the longest possible battery life, we suggest the following:

1. Remove the battery pack from the charger once it is fully charged and ready for use.

For battery storage longer than 30 days:

- Store the battery pack where the temperature is below 80°F
- Store battery packs in a "discharged" condition

BATTERY PACK REMOVAL AND PREPARATION FOR RECYCLING

To preserve natural resources, please recycle or dispose of batteries properly.

This product contains nickel-cadmium batteries. Local, state or federal laws may prohibit disposal of nickel-cadmium batteries in ordinary trash.

Consult your local waste authority for information regarding available recycling and / or disposal options.

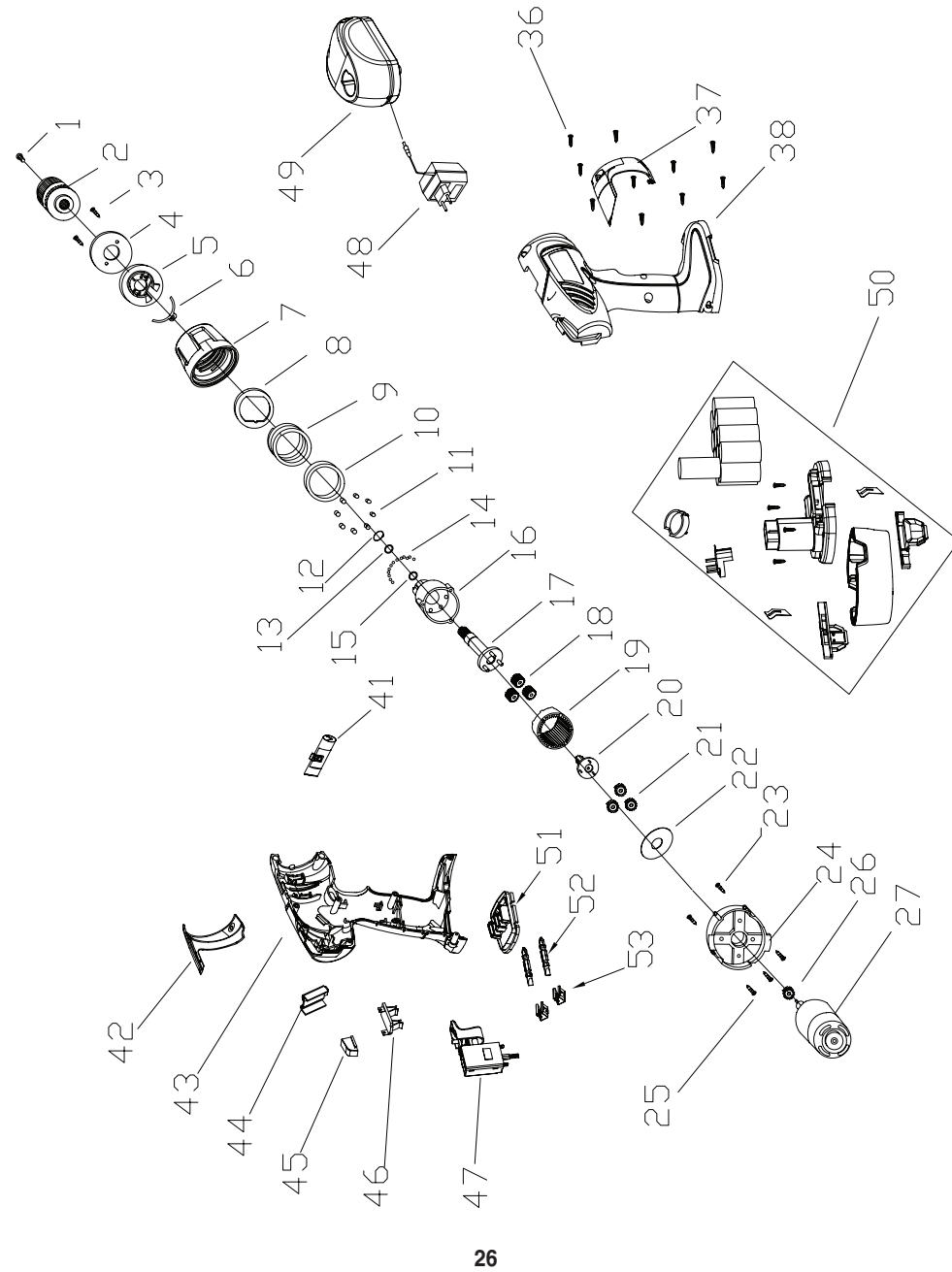
⚠ WARNING: Upon removal, cover the battery pack's terminals with heavy-duty adhesive tape. Do not attempt to destroy or disassemble battery pack or remove any of its components. Nickel-cadmium batteries must be recycled or disposed of properly. Also, never touch both terminals with metal objects and / or body parts as short circuit may result. Keep away from children. Failure to comply with these warnings could result in fire and / or serious injury.



PARTS LIST

3/8-IN. VARIABLE SPEED / REVERSIBLE CORDLESS DRILL / DRIVER

Model No. 172-10300 9.6 Volt



PARTS LIST cont.

3/8-IN. VARIABLE SPEED / REVERSIBLE CORDLESS DRILL / DRIVER

Model No. 172-10300 9.6 Volt

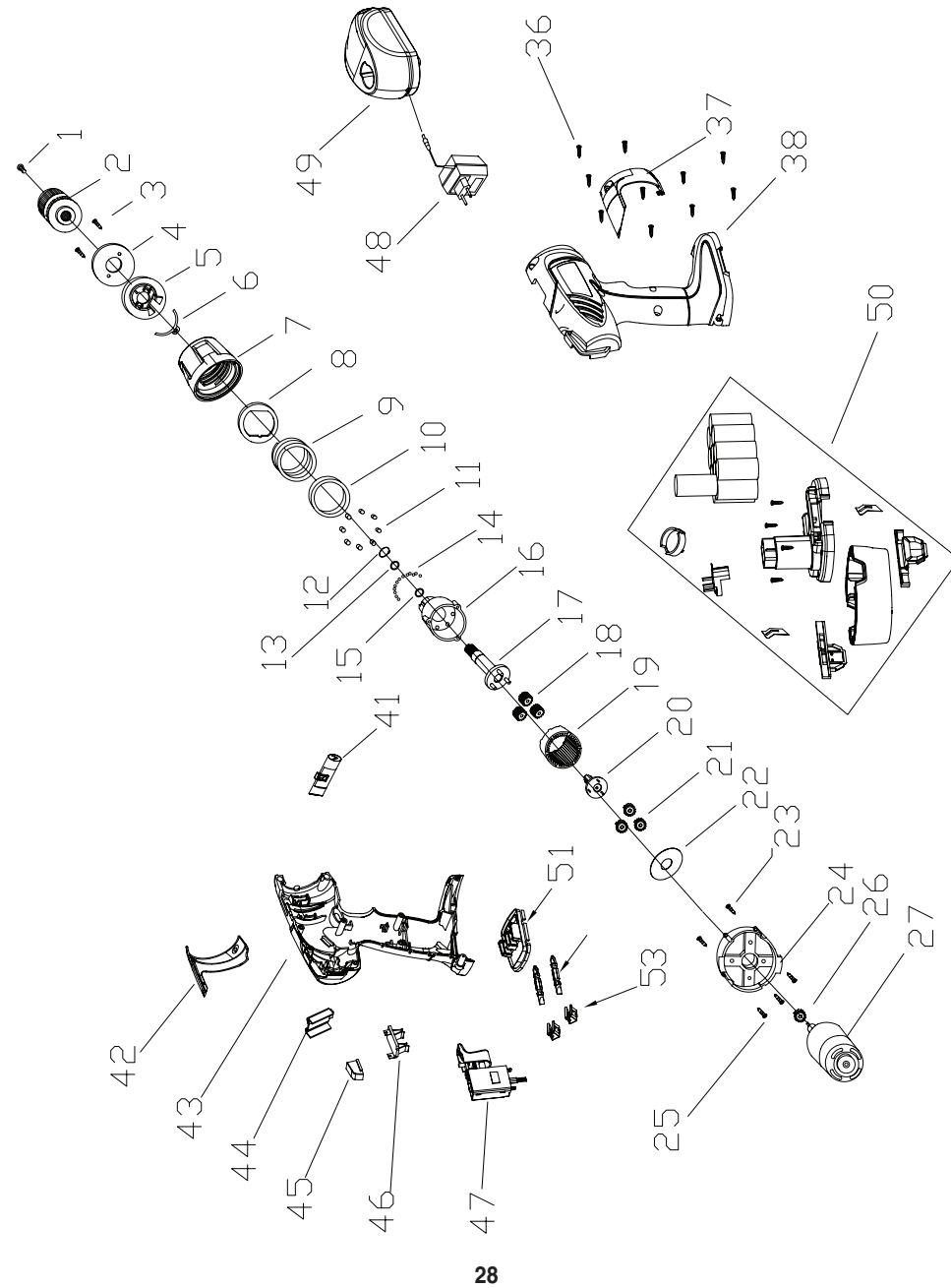
Item No.	Parts No.	Part Description	Qty.
1	CDT109JU-1	screw	1
2	CDT109JU-2	chuck	1
3	CDT109JU-3	screw	2
4	CDT109JU-4	tightly-compress leaf	1
5	CDT109JU-5	fix leaf	1
6	CDT109JU-6	castnet	1
7	CDT109JU-7	torque setting ring	1
8	CDT109JU-8	orientate leaf	1
9	CDT109JU-9	spring	1
10	CDT109JU-10	spacer	1
11	CDT109JU-11	steel ball	16
12	CDT109JU-12	retain ring	1
13	CDT109JU-13	washer	1
14	CDT109JU-14	steel ball	13
15	CDT109JU-15	washer	1
16	CDT109JU-16	gear box	1
17	CDT109JU-17	shaft	1
18	CDT109JU-18	planet gear	3
19	CDT109JU-19	inner gear ring	1
20	CDT109JU-20	planet bracket	1
21	CDT109JU-21	planet gear	3
22	CDT109JU-22	washer	1
23	CDT109JU-23	screw	2
24	CDT109JU-24	connection clip	1
25	CDT109JU-25	screw	3
26	CDT109JU-26	motor gear	1
27	CDT109JU-27	DC motor	1
36	CDT109JU-36	screw	10
37	CDT109JU-37	fastener (right)	1
38	CDT109JU-38	enclosure (right)	1
41	CDT109JU-41	steering stem	1
42	CDT109JU-42	fastener (left)	1
43	CDT109JU-43	enclosure (left)	1
44	CDT109JU-44	scatter-heat block	1
45	CDT109JU-45	leveling bleb	1
46	CDT109JU-46	battery clip	1
47	CDT109JU-47	switch	1
48	CDT109JU-48	adaptor	1
49	CDT109JU-49	charge stand	1
50	CDT109JU-50	Battery package	1
51	CDT109JU-51	Holder	1
52	CDT109JU-52	Bit	2
53	CDT109JU-53	Bit Holder	2

26

27

PARTS LIST

3/8-IN. VARIABLE SPEED / REVERSIBLE
CORDLESS DRILL / DRIVER
Model No. 172-10400 12.0 Volt



PARTS LIST cont.

3/8-IN. VARIABLE SPEED / REVERSIBLE
CORDLESS DRILL / DRIVER

Model No. 172-10400 12.0 Volt

Item No.	Parts No.	Part Description	Qty.
1	CDT109JU-1	screw	1
2	CDT109JU-2	chuck	1
3	CDT109JU-3	screw	2
4	CDT109JU-4	tightly-compress leaf	1
5	CDT109JU-5	fix leaf	1
6	CDT109JU-6	castnet	1
7	CDT109JU-7	torque setting ring	1
8	CDT109JU-8	orientate leaf	1
9	CDT109JU-9	spring	1
10	CDT109JU-10	spacer	1
11	CDT109JU-11	steel ball	16
12	CDT109JU-12	retain ring	1
13	CDT109JU-13	washer	1
14	CDT109JU-14	steel ball	13
15	CDT109JU-15	washer	1
16	CDT109JU-16	gear box	1
17	CDT109JU-17	shaft	1
18	CDT109JU-18	planet gear	3
19	CDT109JU-19	inner gear ring	1
20	CDT109JU-20	planet bracket	1
21	CDT109JU-21	planet gear	3
22	CDT109JU-22	washer	1
23	CDT109JU-23	screw	2
24	CDT109JU-24	connection clip	1
25	CDT109JU-25	screw	3
26	CDT109JU-26	motor gear	1
27	CDT112JU-27	DC motor	1
36	CDT109JU-36	screw	10
37	CDT109JU-37	fastener (right)	1
38	CDT109JU-38	enclosure (right)	1
41	CDT109JU-41	steering stem	1
42	CDT109JU-42	fastener (left)	1
43	CDT109JU-43	enclosure (left)	1
44	CDT109JU-44	scatter-heat block	1
45	CDT109JU-45	leveling bleb	1
46	CDT109JU-46	battery clip	1
47	CDT109JU-47	switch	1
48	CDT112JU-48	adaptor	1
49	CDT112JU-49	charge stand	1
50	CDT112JU-50	Battery package	1
51	CDT109JU-51	Holder	1
52	CDT109JU-52	Bit	2
53	CDT109JU-53	Bit Holder	2

Get it fixed, at your home or ours!

Your Home

For expert troubleshooting and home solutions advice:

manage my home

www.managemyhome.com

For repair – **in your home** – of **all** major brand appliances, lawn and garden equipment, or heating and cooling systems, **no matter who made it, no matter who sold it!**

For the replacement parts, accessories and owner's manuals that you need to do-it-yourself.

For Sears professional installation of home appliances and items like garage door openers and water heaters.

1-800-4-MY-HOME® (1-800-469-4663)

Call anytime, day or night (U.S.A. and Canada)

www.sears.com www.sears.ca

Our Home

For repair of carry-in items like vacuums, lawn equipment, and electronics, call anytime for the location of your nearest

Sears Parts & Repair Service Center

1-800-488-1222 (U.S.A.) **1-800-469-4663** (Canada)

www.sears.com www.sears.ca

To purchase a protection agreement on a product serviced by Sears:

1-800-827-6655 (U.S.A.) **1-800-361-6665** (Canada)

Para pedir servicio de reparación a domicilio, y para ordenar piezas:

1-888-SU-HOGAR®

(1-888-784-6427)

Au Canada pour service en français:

1-800-LE-FOYER^{MC}

(1-800-533-6937)

www.sears.ca

Sears

© Registered Trademark / TM Trademark / SM Service Mark of Sears Brands, LLC
© Marca Registrada / TM Marca de Fábrica / SM Marca de Servicio de Sears Brands, LLC
^{MC} Marque de commerce / ^{MD} Marque déposée de Sears Brands, LLC

© Sears Brands, LLC

Free Manuals Download Website

<http://myh66.com>

<http://usermanuals.us>

<http://www.somanuals.com>

<http://www.4manuals.cc>

<http://www.manual-lib.com>

<http://www.404manual.com>

<http://www.luxmanual.com>

<http://aubethermostatmanual.com>

Golf course search by state

<http://golfingnear.com>

Email search by domain

<http://emailbydomain.com>

Auto manuals search

<http://auto.somanuals.com>

TV manuals search

<http://tv.somanuals.com>