

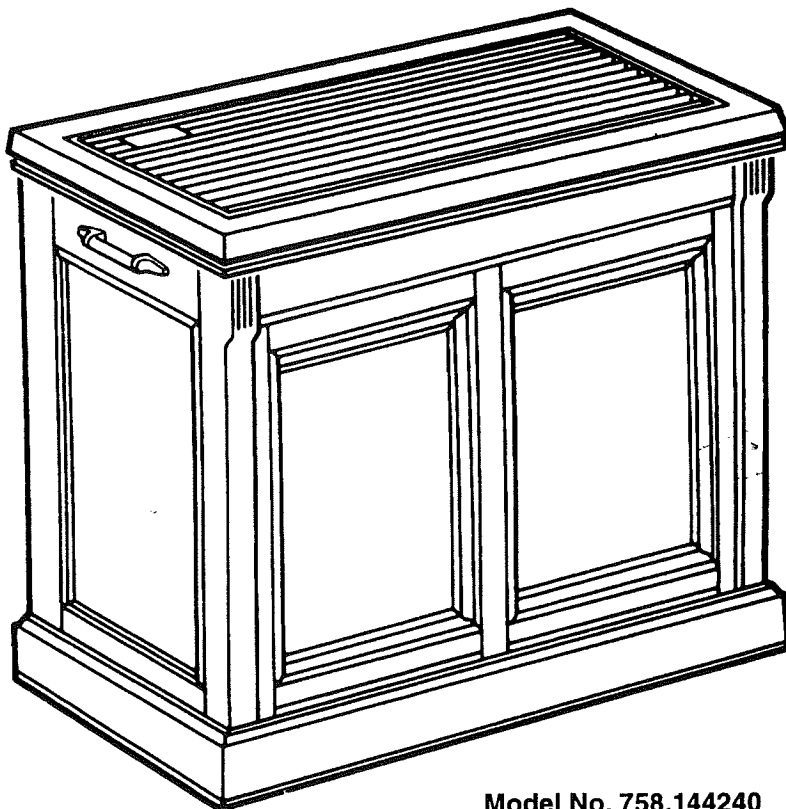
Save This Manual
For Future Reference

SEARS
owner's
manual

MODEL NO.
758.144120
758.144240

**FOR YOUR
SAFETY:**

**READ ALL
INSTRUCTIONS
CAREFULLY**



Model No. 758.144240

Kenmore™
QUIET COMFORT™

**EVAPORATIVE
CONSOLE
HUMIDIFIER**

- Operating Instructions
- Parts List

Sold by SEARS, ROEBUCK AND CO., Chicago, IL 60684 U.S.A.

Part No. SP5377

Printed in U.S.A.

FULL ONE YEAR WARRANTY ON HUMIDIFIER

If, within one (1) year from the date of purchase, this humidifier fails due to defect in material or workmanship, we will repair it free of charge. If, within two (2) years from the date of purchase, the motor fails due to defect in material or workmanship, we will repair it free of charge. (Applies to Model 758.144140 and 758.144240 only).

This warranty service is available by simply returning the humidifier to the nearest Sears Service Center/Department throughout the United States.

This warranty applies only while this product is used in the United States.

This warranty gives you specific legal rights, and you may also have other rights which vary from state to state.

SEARS, ROEBUCK AND CO., D/817 WA Hoffman Estates, IL 60195

General Safety Instructions

1. To avoid fire or shock hazard, plug the humidifier directly into a 120V A.C. electrical outlet. Use only U.L. listed extension cords as instructed by the cord manufacturer.
2. Keep the cord out of heavy traffic areas. To avoid fire hazard, never put the cord under rugs, near heat registers, radiators, stoves or heaters.
3. Always unplug the humidifier before moving it, removing the lid or motor support section, before cleaning, or whenever the humidifier is not in service.
4. When filling, be careful not to pour water in the control or motor area.
5. Keep humidifier clean.
6. To help keep water clean, do not use the humidifier without the lid in place.
7. Do not put foreign objects inside the humidifier.
8. Never use your humidifier while any part is missing or damaged in any manner.
9. To avoid electrical hazard or damage to the humidifier, do not tilt, jolt or tip the humidifier over while the unit is running.
10. To avoid damage to the humidifier, turn it to OFF when the tank is empty or when the humidifier is not in use.
11. To avoid accidental electrical shock, do not touch the cord or controls with wet hands.
12. Note the warning label (shown below) on the humidifier.

Table of Contents

Warranty	2
General Safety Instructions	2
Know Your Humidifier	3
Humidifier Operation.....	3
Location Instructions.....	4
Electrical Hook-Up.....	4
Water Fill.....	4
Operating Controls	5
Using Your Humidifier	5
Cleaning of Humidifier Tank.....	6
Care of Filter	7
Troubleshooting	7
Repair Parts.....	8

Safety Signal Words

DANGER: means if the safety information is not followed someone **will** be seriously injured or killed.

WARNING: means if the safety information is not followed someone **could** be seriously injured or killed.

CAUTION: means if the safety information is not followed someone **might** be injured.

WARNING: To avoid injury, fire or shock always remove plug from electrical outlet before filling, servicing or cleaning.

To save a service call:

Check the following if your humidifier will not operate

1. Is power cord attached to outlet?
2. Is there electrical power to outlet?
3. Is airflow control in operating position?
4. Is humidity control set high enough?
5. Is water level in tank high enough to activate switch actuator.

Know Your Humidifier

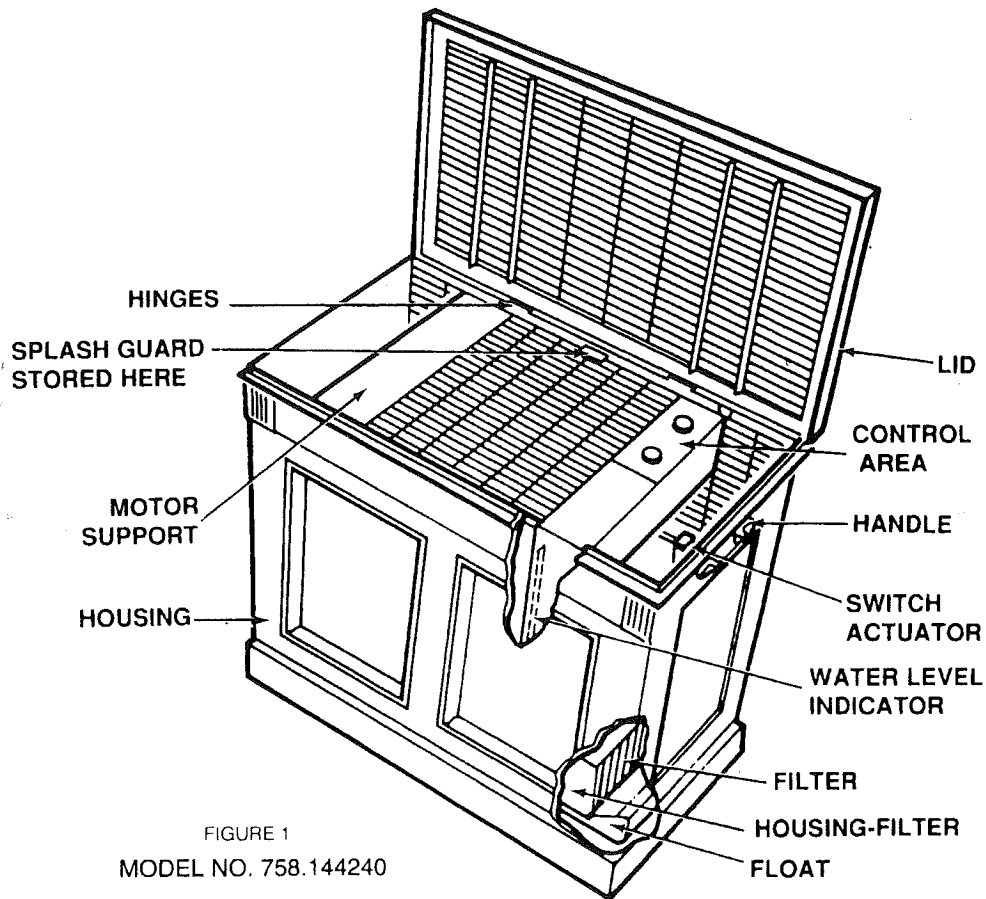


FIGURE 1
MODEL NO. 758.144240

Humidifier Operations

Description	758.144120	758.144240
Gallon Output	12	14
Tank Capacity	7	7
Sq. Ft. Coverage	2800	3200
Fan Speeds	Variable	Variable
Filters	2	2
Fill Light	Yes	Yes
Water Level Indicator	Yes	Yes
Auto Humidistat	Yes	Yes
Auto Shut Off	Yes	Yes
Dry Out	Manual	Manual
Filter Light	No	No
Operating Light	No	No
Decorative Handles	No	Yes
Electronic Controls	No	No
U.L. Listed	Yes	Yes
AHAM Certified	Yes	Yes
Volts	120 A.C.	120 A.C.
Hertz	60	60
Amps	2.0	2.0
Watts	140	155

Your new Sears humidifier is designed to satisfy home humidity requirements through the principle of evaporation of water into the air.

After water is added to the tank, the filters begin to soak up the water and become totally saturated in approximately 30 minutes. Air drawn in from the rear and top of the humidifier then passes through the filters by means of a circulation fan. As air passes through the filter, moisture is absorbed into the air and then released through the top of humidifier. (See Fig. 2) This moist air is released in the form of vapor. No water droplets will enter the home. All evaporation into the air takes place in the humidifier, which means that the residue left by evaporating water is not passed into the home, but remains in the filter.

CAUTION: Use only 32-14900 EPA Registered Bacteriostat available from SEARS Retail store. Use of other water treatment products may damage the filters or may pose health hazards.

Under no circumstances should you use water treatment products designed for Roto belt or Ultrasonic humidifiers.

Humidifier Operations (continued)

CAUTION: Keep your humidifier clean. While humidifiers do not cause colds, some studies suggest that dirty humidifiers can cause cold like symptoms in some people. To avoid this, we recommend you clean your humidifier weekly with Humidifier Cleaner 32-7283 and use Bacteriostat 32-14900. These are available at your local Sears store.

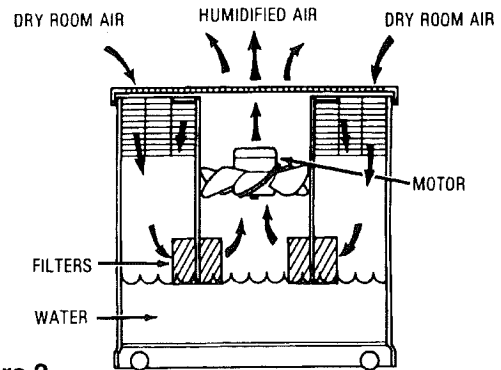


Figure 2

Assembly Instruction

(14 Gallon-Model 758.144240)

Included with this humidifier are two decorative handles which must be attached to the top of the side panels.

Locate handle and using a screwdriver attach the handle by inserting the screws through the pre-drilled holes in the cabinet housing. This is easiest with motor support removed (see unpacking instructions printed on top of carton).

Location Instructions

WARNING: For your own safety, do not use humidifier if any parts are damaged or missing.

1. Place humidifier in area of house where most humidity is needed, or one which would likely result in moist air being circulated throughout the house such as near a cold air return. Moist air (humidity) produced will disperse into the whole house, but area closest to unit will have the highest humidity.
2. Humidifier should sit at least two inches away from wall

for proper operation. Air needs to enter through rear and top louvers in order for humidifier to operate at peak efficiency.

NOTE: Due to release of cool, moist air from humidifier, it is best to direct air away from home's thermostat and hot air registers. It is best to keep humidifier in front of an inside wall. Hot air registers and cold air from outside walls can affect the efficiencies of the controls. Unit should not be placed where warm air from a hot air register blows directly on unit.

Electrical Hookup

Locate nearest 120V A.C. wall socket in the location desired, preferably on inside wall. (See Fig. 3)

WARNING: To avoid fire or shock hazard, humidifier, should be plugged into a 120V, A.C. outlet. Do not use extension cords.

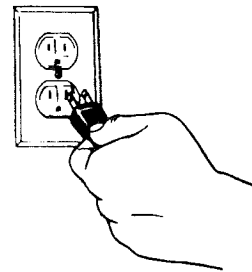


Figure 3

Lid Retention

1. Locate lid retention clips in styrofoam packing material on top of motor support section. (See Fig. 4) Dispose of packing material.
2. Position lid over housing with hinges facing rear of unit. (See Fig. 5)
3. Position lid retention clip over clip mounting area.

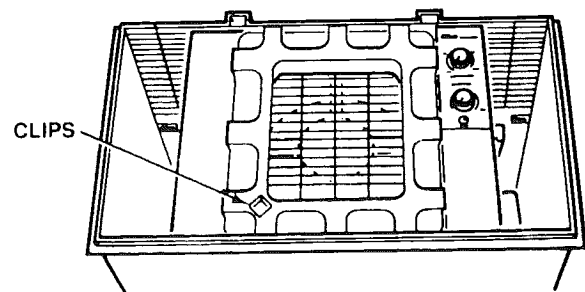


Figure 4

4. Push down on clip until fully seated against lid hinge. (See fig. 6)
 5. Repeat steps 3 and 4 to seat other clip.
- NOTE:** Your lid is now fastened to the housing. We recommend not to remove the lid retention clips once they have been secured.
6. To remove your motor support section lift lid and lift out motor support section, then slide cord to the right to remove from housing.

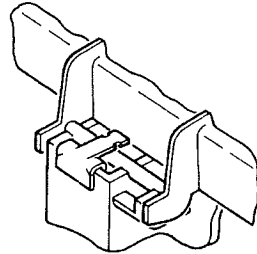


Figure 6

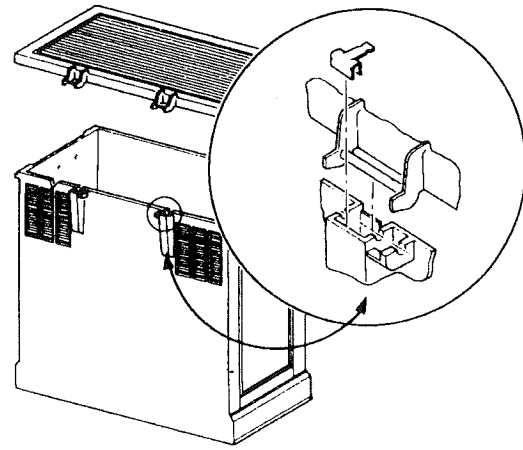


Figure 5

Water Fill

WARNING:

1. To avoid shock, always unplug humidifier before filling, cleaning, or servicing.
2. Do not pour or spill water into control or motor area. If controls do get wet, have the unit checked by a qualified service technician before plugging in.

1. Raise the lid.
2. Locate controls on right side of humidifier. (See Fig. 7)
3. Locate splash guard, between motor support section and rear of humidifier tank.
4. Lift splash guard straight up to remove.
5. With the words "Splash Guard" facing you, position over the left rear louvers. The splash guard will simply hook on the humidifier tank. (See Fig. 8)
6. Pour water into humidifier from the left side (opposite the controls). (See Fig. 9)

NOTE: This is a splash guard to keep water from splashing out rear louvers. Pour water slowly to minimize any water getting outside of unit.

IMPORTANT: Be sure water does not go above FULL mark or water may run out of the rear louvers.

7. Fill tank with clean water up to FULL indicator label, located inside the housing on the left rear panel, (See Fig. 9) by using a bucket.
8. When you are finished filling your humidifier, replace "Splash Guard" to its storage location. (Located between the motor support section and humidifier tank.) The "Splash Guard" will hook onto the humidifier tank.

NOTE: When removing your "Splash Guard" we recommend reaching down and grabbing the "S" in Splash Guard and slightly twisting to remove.

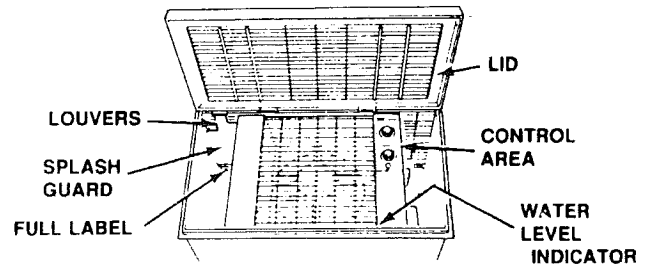


Figure 7

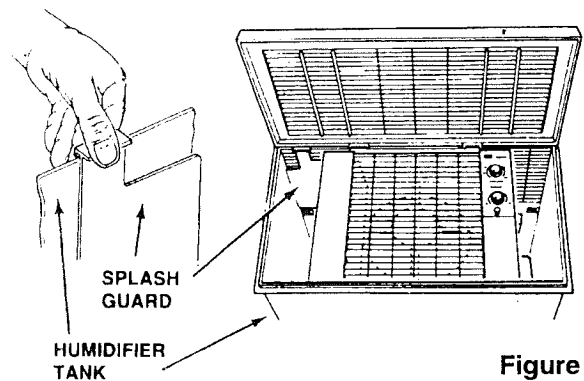


Figure 8

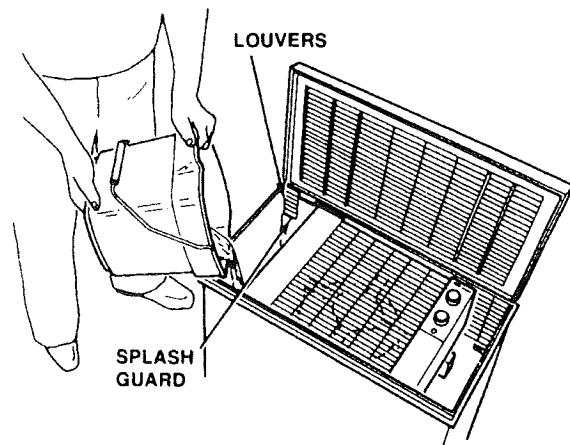


Figure 9

Operating Humidifier Controls

Humidity Control:

This control adjusts the amount of humidity depending on user's needs. The humidifier will turn on and off as required to maintain level of humidity you select. (See Fig. 10) Medium setting is recommended but there are times when a low or high amount of humidity may be preferred. For constant operation of humidifier. Constant On allows for the maximum amount of humidity to be evaporated into the air continuously.

IMPORTANT: Water damage may result if condensation starts to form on windows or walls. Humidity control setting should be lowered until condensation no longer forms.

Air Flow Control:

The higher the air flow speed, the faster humidified air is released into the air. Low speed is the quietest and is provided for conditions that may not require as high an evaporation rate. (See Fig. 10)

Fill Light

When unit has a small amount of water left in it, a red fill light will come on and unit will shut off. (See Fig. 10)

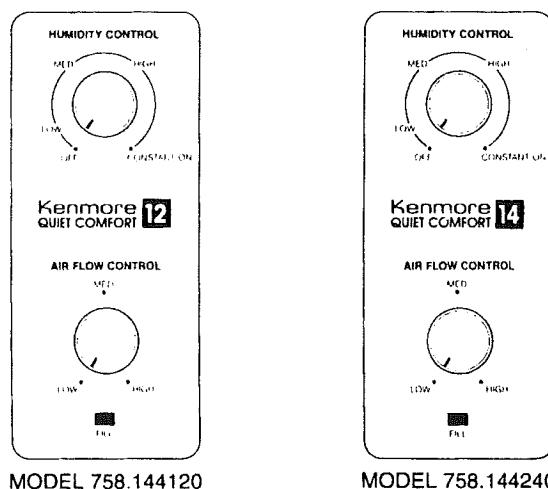


Figure 10

Using Your Humidifier

1. Be sure unit is plugged in, full of water and your splash guard is stored behind motor support section.
2. Set Air Flow Control knob to **Low** or number 1 position. (See Fig. 10)
3. Set Humidity Control to **Medium** position. (See Fig. 11)

NOTE: Humidifier should operate with humidity control on the recommended **Medium** setting. If it does not, the humidity is at a relatively high level. To test the unit under this condition, turn Humidity Control all the way to **Constant On** and unit should begin to operate. After unit has been tested, set Humidity Control to **Medium** or desired level.

Allow 24 hours for humidifier to adjust.

If humidity level in home is sufficient, the humidifier will only operate with Humidity Control set on **Constant On**.

IMPORTANT: Water damage may result if condensation starts to form on windows or walls. Humidity Control setting should be lowered until condensation no longer forms.

4. If humidifier stops running, the humidity level is at the normal requirements for that setting or it is adjusting to the home conditions. Figure 11 shows approximate relative humidity percentages which correspond to the various settings of the Humidity Control.

When Outdoor Temperature is:	Recommended Indoor Relative Humidity is
-10°F	20%
0°F	25%
10°F	30%
20°F & above	50%

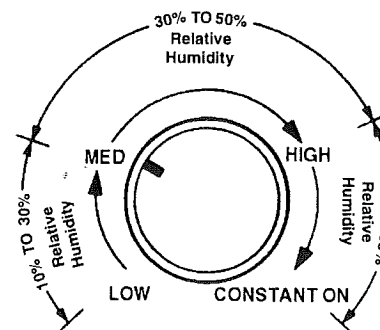


Figure 11

Cleaning of Humidifier Tank

WARNING: To avoid toxic injury, fire or damage to humidifier, use only cleaners specially recommended for humidifiers. Never use flammable, combustible or poisonous material to clean your humidifier. To avoid scalds and damage to humidifier, never put hot water in humidifier.

CAUTION: Local water purity varies from area to area and under certain conditions water impurities and airborne bacteria may promote the growth of microorganisms in the reservoir of the humidifier.

To retard bacteria growth that may cause odors and be harmful to your health, use only Sears recommended filters. We also recommend using 32-149000 approved bacteriostat. Clean your humidifier regularly.

Care and Maintenance

To make cleaning easier, the tank should be completely dried out. Proceed as follows.

- a. Loop switch actuator ring around plastic hook located directly above the switch actuator. (Fig. 12)
- b. Set humidity control to **Constant On**, air flow to **High**. Run till tank is dry.

NOTE: With the switch actuator ring in place unit will continue to run until the ring is released. Depending upon humidity levels, once the tank is empty the average dry out time is approximately 2 hours.

1. When unit is dry, release switch actuator ring and shut the unit off.
2. Unplug humidifier, and proceed to clean.

WARNING: If humidifier is not unplugged, fan could start after motor support is removed.

3. Raise lid to rest on hinges.
4. Lift out the motor support section and wipe off any mineral deposits with a clean cloth. (Fig. 13)

CAUTION: The switch actuator is a fragile part. Set the motor support section down carefully to be sure the switch actuator does not become damaged.

5. Before removing the filters, we recommend moving the humidifier to an area where floor coverings are not susceptible to water damage, i.e. kitchen or bath areas.
6. Slide up the filter holders and remove (either discard or store for further use) the filters located inside by gently pushing out from either side. Wash off mineral deposits on filter holder and wipe with a clean cloth.
7. Remove the floats from the bottom of the humidifier cabinet. The cabinet should be empty and the water reservoir is ready for cleaning. (The water reservoir is the lower areas of the humidifier cabinet that the floats and filter holders are located during the normal operation time.)
8. Proceed to "Bi-Weekly Maintenance" or "End of Season Maintenance".

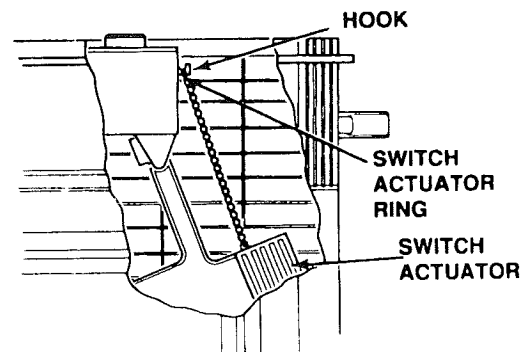


Figure 12

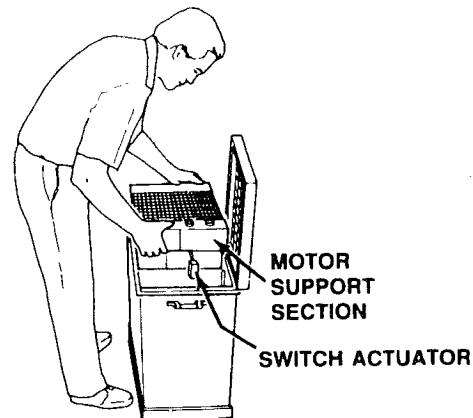


Figure 13

Care of Humidifier Tank (continued)

Bi-Weekly Maintenance

Removing Scale

1. Partially fill the water reservoir with one 8oz. cup of undiluted white vinegar. Let solution stay 20 minutes.
2. Clean all interior surfaces with soft brush. Dampen soft cloth with undiluted white vinegar and wipe out the water reservoir to remove scale.
3. Rinse thoroughly with clean warm water to remove scale and cleaning solution before disinfecting the reservoir.

Disinfecting Reservoir

1. Fill water reservoir and add 5 teaspoons chlorine bleach (1 teaspoon chlorine bleach in 1 gallon water.) Let solution stay 20 minutes, swishing every few minutes. Wet all surfaces.

Care of Filter

WARNING: To avoid electric shock, always unplug humidifier before removing or replacing any parts.

CAUTION: To help retard bacterial growth and maintain maximum efficiency, the filters should be replaced at least once a season, or more often under hard water conditions. Use Sears recommended replacement filter.

Dry out the unit completely before changing filters. (See Cleaning of Humidifier Tank).

1. Unplug the electrical cord.
2. Before removing the filters, we recommend moving the humidifier to an area where floor coverings are not susceptible to water damage, i.e. kitchen or bath areas.
3. Remove the lid completely from the unit by closing and lifting up from the hinge holders.
4. With one hand on each side of the motor support section, lift straight up and set gently on the floor in an upright position.

WARNING: Be sure the humidifier is unplugged or the fan may come on after the motor support section is removed from the tank.

5. The filter is enclosed in a filter holder. Lift out the entire holder to gain access to the filter.
 - a. To replace filter, remove used one from plastic holder by gently pushing from the side, insert a new filter in the filter housing.
 - b. To clean filter, lift out filter holder, leaving dirty filter in the holder. You can either dry out filter or leave wet. Place filter and holder under cold tap water on medium pressure and rinse. Not all of the dissolved solids will wash off of filter, but this procedure will restore filter to a more efficient condition. Another

2. Empty water reservoir after 20 minutes. Rinse with water until bleach smell is gone. Dry with clean cloth or paper towel.

End of Season Maintenance

1. Follow bi-weekly maintenance instructions at end of humidification season or when humidifier will not be used for at least one week or more.
2. Remove and throw away filters.
3. Let humidifier dry completely before storing. Do not store with water inside water reservoir.
4. Store in cool, dry location.
5. Install new filters and clean humidifier before next season begins.

way to clean filter is to completely submerge filter in a bucket or sink full of clean cool water and dip repeatedly.

6. Replace the filter (in holder) in the humidifier tank by lining up rear slot on filter holder frame with track on tank. Tilt holder toward rear and lower until front tab lines up with front slot on the filter holder. (See Figure 14)
7. The filter holder sits on a float located at the bottom of the tank.
8. Pick up the motor support section and, while standing over the tank, locate the tabs that the support section sits on. Be sure the electrical cord is lined up with the rear opening, and gently slide the motor support section down into the tank.
9. Replace the lid and follow the filling and operating instructions.

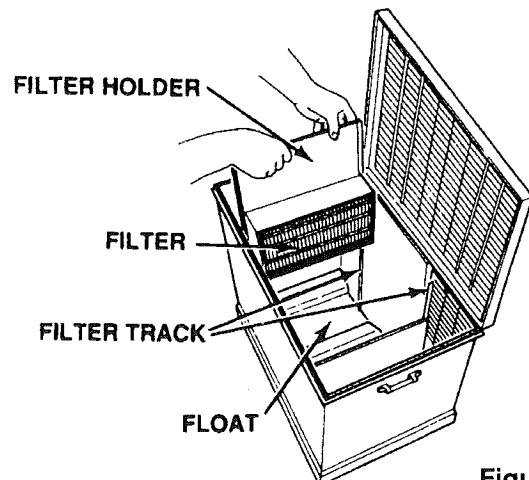


Figure 14

Troubleshooting

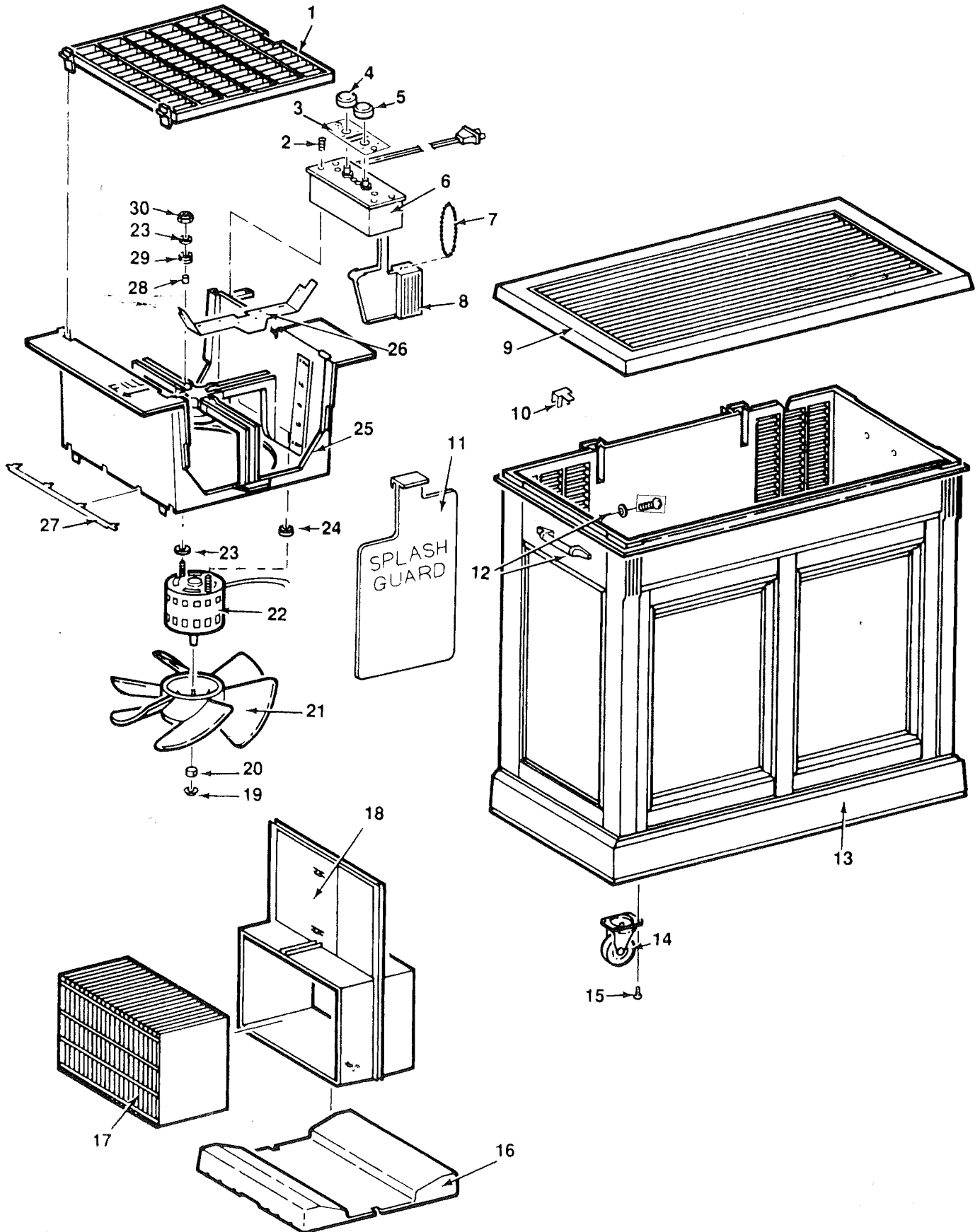
Model 758.144120 and 758.144240

Trouble	Probable Cause	Remedy
1. Unit will not run, or will not shut off.	<ul style="list-style-type: none">• Switch Actuator not free to work properly.	<ul style="list-style-type: none">• Remove shipping rubber band or unhook ring.
2. Water runs out of the rear of unit	<ul style="list-style-type: none">• Splash guard not in place or missing.• Too much water.	<ul style="list-style-type: none">• Hang splash guard on rear of unit, be sure louvers are covered.• Check Full label in tank. Do not overfill.
3. Unit will not dry out completely	<ul style="list-style-type: none">• Switch actuator ring is not in place.• High humidity or low temperature resulting in slow evaporation.	<ul style="list-style-type: none">• Connect switch actuator ring. See instructions. (pg 7 Fig. 12)• Allow unit to continue running until reservoir becomes dry.
4. Unit will not cycle (Turn off) when out of water	<ul style="list-style-type: none">• Float is hung up, or holders are not on the filter tracks.• Unit will continue to run for a time after Fill light comes on.	<ul style="list-style-type: none">• Check float (pg 9 Fig. 14)• Remove filter holder, install on filter tracks. (pg 9 Fig. 14)• Allow unit to continue running in dry out cycle if dry out is desired.
5. Filter does not float.	<ul style="list-style-type: none">• Float may have leak.• Cardboard packing piece between motor support and filter holder.	<ul style="list-style-type: none">• Check float for leak, replace if necessary.• Remove cardboard.

CAUTION: Use Sears 32-14900 EPA Registered Bacteriostat available from Sears Retail. Use of other water treatment products may damage the filter elements. Under no circumstances should you use water treatment products designed for Roto belt or Ultrasonic humidifiers.

Repair Parts

Parts List For Sears Humidifier Model 758.144120 and 758.144240



Parts List for Sears Humidifier

Model No. 758.144120 and 758.144240

Always order by Part Number—Not by Key Number

Key No.	Description	Model No.	
		758.144120	758.144240
1	Fan Guard	817241	817241
2	Screw-Pan Hd. Ty. "AB" 8 x 5/8	29433	29433
3	Label	819284	820546
4	Knob	817235-1	817235-1
5	Knob	817235	817235
6	• Control (Includes Key #4 & 5)	819212	819212
7	Tie Wire	817878	817878
8	Switch Actuator	817380	817380
9	Lid	817452-1	817186-1
10	Lid Retention Clip	819428	819428
11	Splash Guard	817735	817735
12	Handle w/screws & washers	819418	819418
13	Finished Housing	817191-2	817191-4
14	Caster	13832	13832
15	* Screw-Pan Hd. Ty. "T" 10-32 x 1/2	STD601005	STD601005
16	Filter Float	817195	817195
17	† Evaporation Filter	32-14910	32-14910
18	Filter Housing	817196	817196
19	Push Nut 5/16	803144-2	803144-2
20	Clamp	816133	816133
21	Fan Blade	V30187	V30187
22	• Motor	818087	818087-1
23	Washer, 13/64 x 3/4 x 1/16	STD551010	STD551010
24	Grommet	817966	817966
25	Motor Housing	817197	817197
26	Gasket Air Seal	—	820016
27	Air Seal Gasket	817237	817237
28	Spacer	817964	817964
29	Grommet	V27217	V27217
30	Lock Nut 8/32	STD541408	STD541408
—	Owners Manual	SP5377	SP5377

• Any attempt to repair this control assembly or motor may create a **hazard** unless repair is done by a qualified service technician. This assembly is factory aligned. Repair service is available at your nearest Sears store.

* Standard Hardware Item - May be purchased locally.

† Stock Item - May be secured through the Plumbing and Heating Department of most Sears Retail Stores.

SEARS

owner's
manual

SERVICE

MODEL NO.
758.144120
758.144240

**HOW TO ORDER
REPAIR PARTS**

Kenmore™ QUIET COMFORT™ Console Humidifier

Service for your humidifier is available by returning it to the nearest Sears Service Center/Department throughout the United States.

The model number will be found on the Humidifier identification label. Always mention the Model Number when requesting service or repair parts.

WHEN ORDERING REPAIR PARTS, ALWAYS GIVE THE FOLLOWING INFORMATION:

1. PART NUMBER: (See Repair Parts)
2. PART DESCRIPTION: (See Repair Parts)
3. MODEL NUMBER: **758.144120 and 758.144240**
4. NAME OF ITEM: **Humidifier**

All parts listed may be ordered from any Sears Service Center. If the parts you need are not stocked locally, your order will be electronically transmitted to a Sears Repair Parts Distribution Center for handling.

Sold by SEARS, ROEBUCK AND CO., Chicago, Il. 60684 U.S.A.

Part No. SP5377

Form No. SP5377-3

Printed in U.S.A. 6/94

Free Manuals Download Website

<http://myh66.com>

<http://usermanuals.us>

<http://www.somanuals.com>

<http://www.4manuals.cc>

<http://www.manual-lib.com>

<http://www.404manual.com>

<http://www.luxmanual.com>

<http://aubethermostatmanual.com>

Golf course search by state

<http://golfingnear.com>

Email search by domain

<http://emailbydomain.com>

Auto manuals search

<http://auto.somanuals.com>

TV manuals search

<http://tv.somanuals.com>