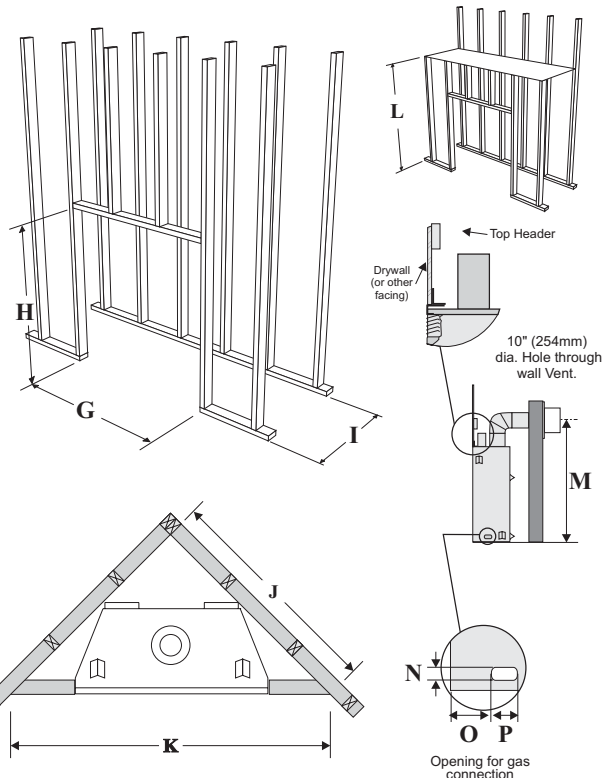
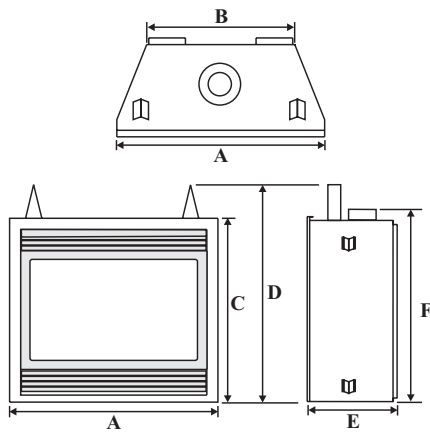


P36 - P36D Zero Clearance Direct Vent Gas Fireplace

Model	P36-NG4	P36-LP4	P36D-NG1	P36D-LP1
Fuel Type	Natural Gas	Propane	Natural Gas	Propane
Minimum Supply Pressure	5" W.C. (1.25 kPa)	12" W.C. (3.00 kPa)	5" W.C. (1.25 kPa)	12" W.C. (3.00 kPa)
Manifold Pressure - High	3.8" W.C. (0.95 kPa)	11" W.C. (2.74 kPa)	3.8" W.C. (0.95 kPa)	11" W.C. (2.74 kPa)
Manifold Pressure - Low	1.1" W.C. (0.27 kPa)	2.9" W.C. (0.72 kPa)	1.1" W.C. (0.27 kPa)	2.9" W.C. (0.72 kPa)
Orifice Size	#37 DMS	#52 DMS	#37 DMS	#52 DMS
Minimum Input	15,500 BTU/h (4.54 kW)	15,000 BTU/h (3.96 kW)	15,500 BTU/h (4.54 kW)	15,000 BTU/h (3.96 kW)
Maximum Input	30,000 BTU/h (8.79 kW)	30,000 BTU/h (8.79 kW)	30,000 BTU/h (8.79 kW)	30,000 BTU/h (8.79 kW)
Vent Sizing	4" Inner / 6 5/8" Outer	4" Inner / 6 5/8" Outer	4" Inner / 6 5/8" Outer	4" Inner / 6 5/8" Outer

Approved Venting Systems

Flex Vent Systems:	FPI AstroCap™ Flex Vent
Rigid Pipe Vent Systems:	Simpson Dura-Vent® Direct Vent GS American Metal Products Ameri Vent Security Secure Vent® Selkirk Direct-Temp.



Unit Dimensions	Description	P36	P36D
A	Front Face Width	36" (914mm)	36" (914mm)
B	Rear Firebox Width	33-1/4" (838mm)	33-1/4" (838mm)
C	Front Face Height	30-1/2" (775mm)	30-1/2" (775mm)
D	Height w/ Standoff	36" (914mm)	37" (940mm)
E	Unit Depth	12-3/4" (324mm)	17-1/8" (435mm)
F	Height to Vent	32-1/2" (826mm)	32-1/2" (826mm)
Framing Dimensions	Description	P36	P36D
G	Framing Width*	36-1/4" (921mm)	36-1/4" (921mm)
H***	Framing Height***	36-1/4" (921mm)***	37-1/4" (946mm)***
I	Framing Depth*	12-3/4" (324mm)	17-1/8" (435mm)
J	Corner Wall Length	42-7/16" (1078mm)	48" (1219mm)
K	Corner Facing Wall Width	60" (1524mm)	68" (1727mm)
L	Framed Chase Ceiling	46" (1168mm)	46-1/2" (1181mm)
M	Vent Centerline Height	40-1/2" (1029mm)	40-1/2" (1029mm)
N	Gas Connection Height	2" (51mm)	2" (51mm)
O	Gas Connection Inset	3-1/2" (89mm)	3-1/2" (89mm)
P	Gas Connection Width	4" (102mm)	4" (102mm)

***Important: Framing height requires consideration of the hearth depth. Dimension H = H + the thickness of installed hearth.

*If using the Barcelona Surround, Kensington, Balmoral, or Tripoli Screen Door please note that framing and facing must be non combustible (12" on top and 6" on both sides) and that the Barcelona is only approved for installation with a single sidewall.

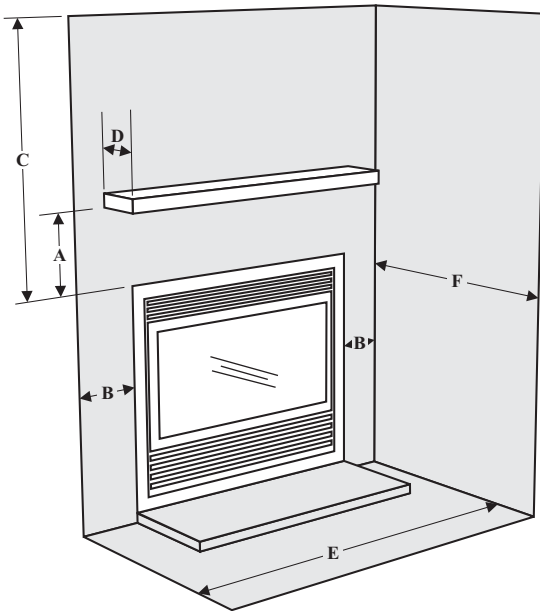
Please refer to Page 11 (Exterior Vent Terminations) for additional guidelines on vent locations.

P36 - P36D Gas Fireplace

Framing and Finishing

- Determine the total thickness of facing material (e.g. drywall plus ceramic tiles) to allow the finished surface to be flush with the front of the unit. Total facing thickness can vary from 1/2" (13mm) to 1-1/4" (32mm) thick.
- Frame in the enclosure for the unit with framing material.
Note: Header for the P36 **must** be installed vertically to maintain clearances to combustible materials. Non combustible header may be installed horizontally.
- For exterior walls, insulate the enclosure to the same degree as the rest of the house, apply vapor barrier and drywall, as per local installation codes. (**Do not insulate the fireplace itself.**)
- The top of the unit must not be closer than 32" (813mm) to the ceiling.
- Combustible material may be brought up to the top and sides of the unit and be covered with ceramic tiles, bricks, rock or other suitable combustible finishing materials.
If using the Barcelona Surround, Kensington, Balmoral, or Tripoli Screen Door please note that framing and facing must be non combustible (12" on top and 6" on both sides) and that the Barcelona is only approved for installation with a single sidewall.
Note: The unit does not have to be completely enclosed in a chase. The clearance on top of the unit is 0" to the standoffs so combustible building materials can be laid directly on top of the standoffs. You must maintain proper clearances from the vent to combustible materials (See Below).
- Use metal studs for framing where the minimum clearance from the vent to combustible material cannot be maintained.

Clearance Requirements



Clearance:	Dimension	Measured From:
A: Mantel Height	7" (178mm)	Minimum (Additional on this page)
B: Sidewall	6" (152mm)	Side of installed front
Sidewall: Barcelona Only	8" (203mm)	Approved for single sidewall only
C: Ceiling	32" (813mm)	Top of installed unit
D: Mantel Depth	12" (305mm)	Maximum (Additional on this page)
E: Alcove Width	48" (1219mm)	Sidewall to Sidewall (Minimum)
F: Alcove Depth	36" (914mm)	Front to back wall (Maximum)

Top of Hearth must not be higher than the base of the firebox.

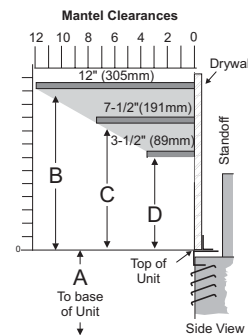
Vent Clearances	Clearance Dimension
Horizontal - Top	2" (51mm)
Horizontal - Side	1-1/2" (38mm)
Horizontal - Bottom	1-1/2" (38mm)
Vertical (Flex or Rigid)	1-1/4" (32mm)

WARNING

Failure to maintain required clearances is a major cause of chimney related fires. Installation of this fireplace must comply with these clearances.

Combustible Mantels

Because of the extreme heat this fireplace emits, the mantel clearances are critical. Combustible mantel clearances from top of the louvers are shown in the diagram below. Mantel may be installed anywhere in the shaded area or higher.



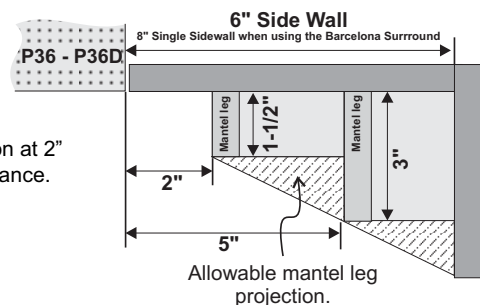
Mantel Clearances	A	B	C	D
with Flush Glass or Hampton Cast	30-1/2" (778mm)	14" (356mm)	10" (254mm)	7" (178mm)
with Bay Option	30-1/2" (778mm)	13" (330mm)	10" (254mm)	7" (178mm)
with Flush Glass and Barcelona Surround	30-1/2" (778mm)	17" (432mm)	12" (305mm)	8" (203mm)
with Tripoli Screen Door, Kensington, or Balmoral Front	30-1/2" (778mm)	20" (508mm)	N/A	12" (305mm)

Note: If desired a non-combustible mantel may be installed at a lower height.

Note: Ensure the paint that is used on the mantel and the facing is "heat resistant" or the paint may discolour.

Mantel Leg Clearances

Combustible mantel leg clearances as per diagram below: Clearances are from the finished edge of the unit or an installed front.



FPI Direct Vent System (Flex)

Horizontal Terminations Only

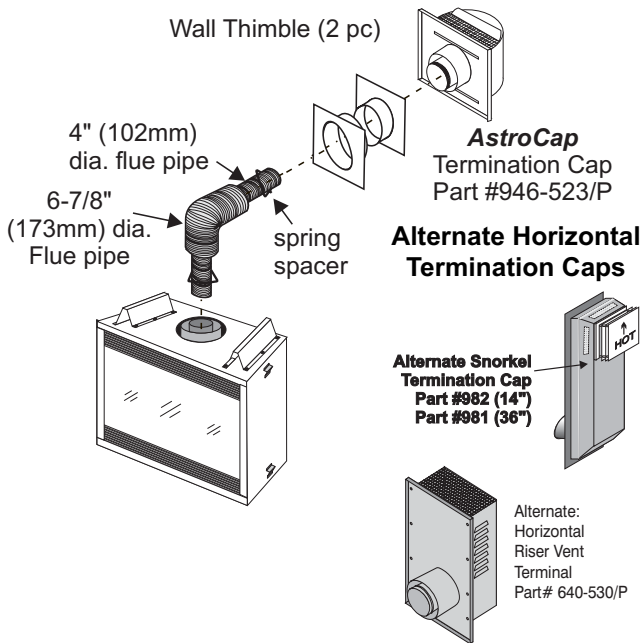
These venting systems, in combination with the P36 / P36D Direct Vent Gas Fireplace, have been tested and listed as a direct vent heater system by Warnock Hersey. The location of the termination cap must conform to the requirements in the Vent Terminal Locations diagram.

FPI Direct Vent (Flex) System Termination Kits include all the parts needed to install the P36 / P36D using a flexible vent.

FPI Kit #	Length	Contains:
#946-515	4 Feet	1) 6-5/8" flexible liner (Kit length) 2) 4" flexible liner (Kit length) 3) spring spacers (3) 4) thimble (2)
#946-516	10 Feet	5) AstroCap termination cap (1) 6) screws (12) 7) tube of Mill Pac (1) 8) plated screws (8) 9) S.S. screws #8 x 1-1/2" drill point, (4)

Notes:

- 1) Liner sections should be continuous without any joints or seams.
- 2) Only Flex pipe purchased from Regency may be used for Flex installations.
- 3) Horizontal sections must be supported every 3 feet.

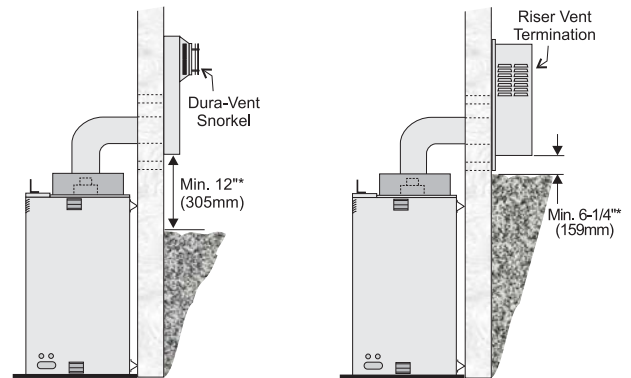


If required by the external termination location the listed alternate termination caps may be used. (Refer to Page 11)

Snorkel Terminations

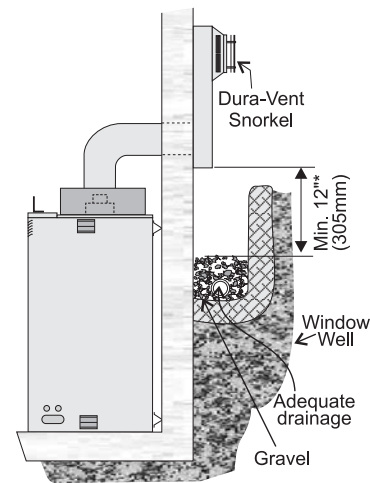
Snorkel Terminations:

For installations requiring a vertical rise on the exterior of the building, 14-inch and 36-inch tall Snorkel Terminations and the Riser Vent are available. Follow the same installation procedures as used for standard Horizontal Termination. NEVER install the snorkel upside down.



Below Grade Snorkel Installation (Dura-Vent Only)

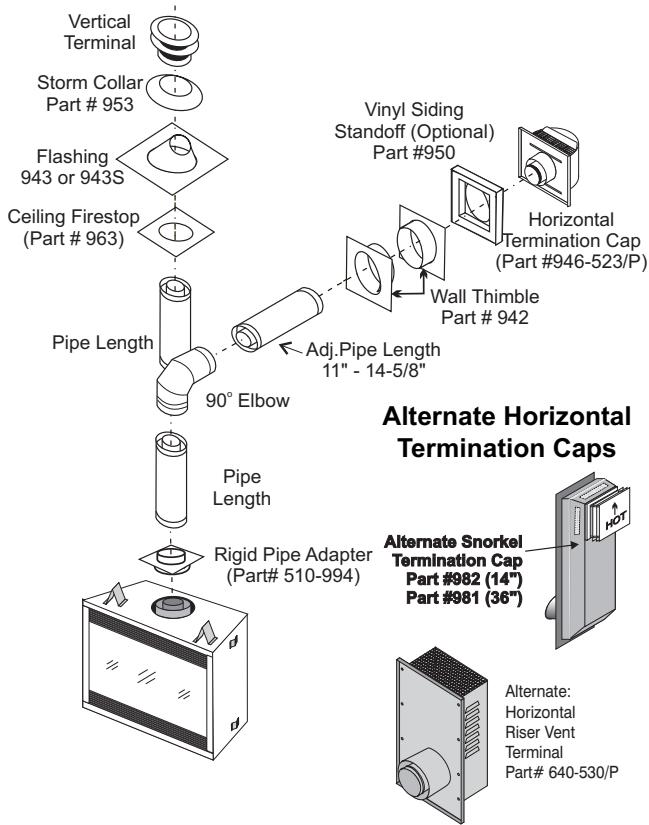
If the Snorkel Termination must be installed below grade, i.e. basement application, proper drainage must be provided to prevent water from entering the Snorkel Termination. Refer to Rigid Pipe Installation instructions for details. Do not attempt to enclose the Snorkel within the wall, or any other type of enclosure.



P36 - P36D Gas Fireplace

Rigid Pipe Venting Horizontal or Vertical Terminations

Gas Fireplaces



If required by the external termination location the listed alternate termination caps may be used. (Refer to Page 11)

Venting Arrangements - Vertical Terminations

Rigid Pipe System (Propane & Natural Gas)

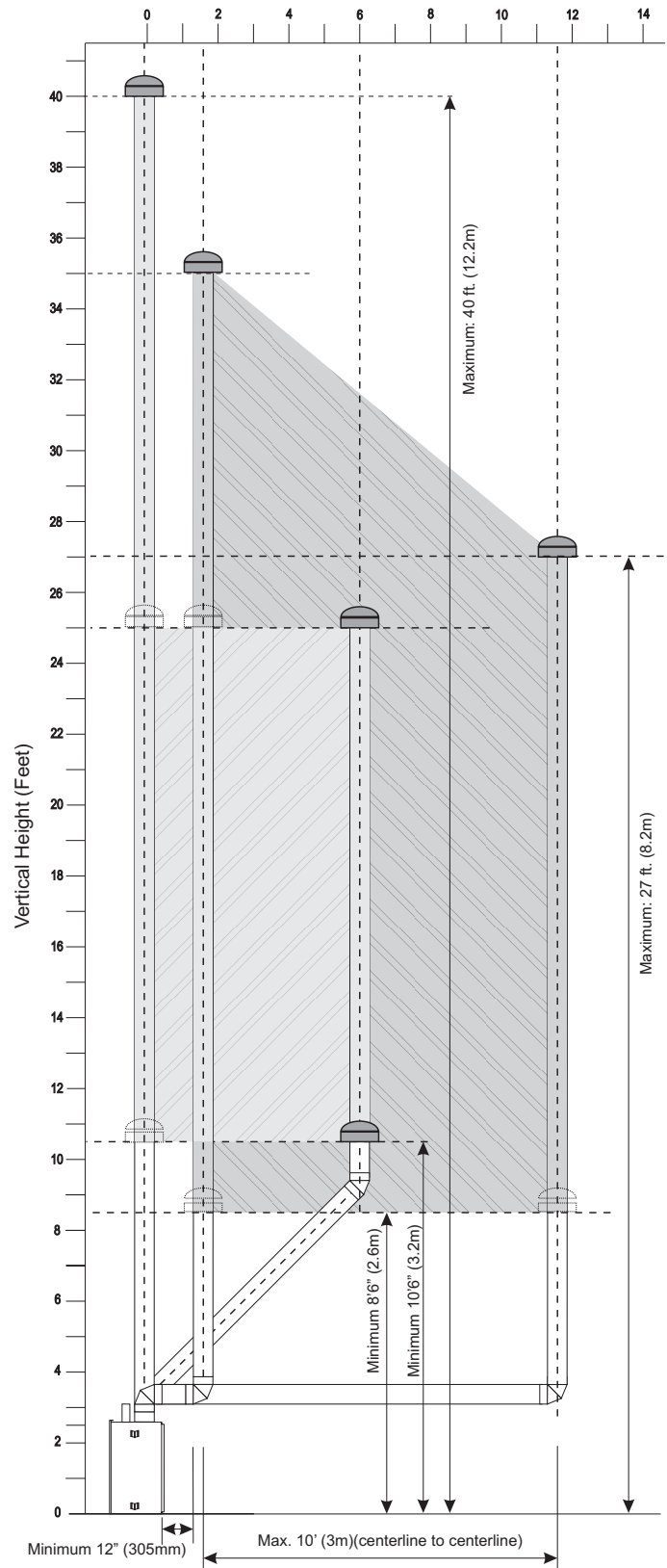
The P36 / P36D is approved for a maximum 40 ft. straight vertical, with **Rigid Pipe** vent systems for Propane and Natural Gas.

The lightly shaded area, , in the diagram shows allowable venting configurations with a maximum of two 45° elbows allowed.

The darker shaded area, , in the diagram shows allowable venting configurations using two 90° elbows.

- Vent must be supported at offsets.
- Horizontal sections must be supported every 3 feet
- Firestops are required at each floor level and whenever passing through a wall.
- Maintain clearances to combustibles materials.
- Minimum of 1' pipe section between elbows.

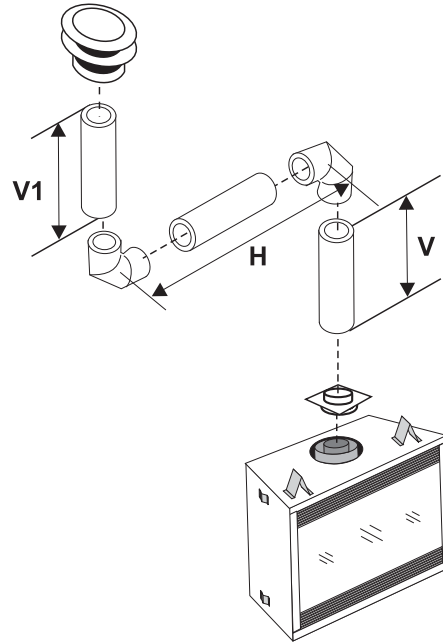
Note: Must use optional flue adapter when using Rigid Pipe (Part # 510-994).



Vertical Venting with Two (2) 90° Elbows

Two 45° elbows = One 90° elbow

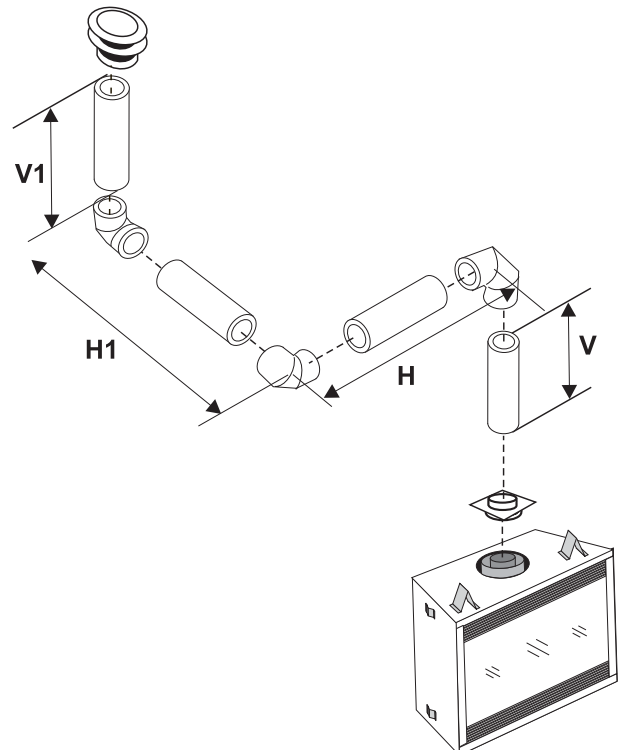
Option	V	H	V+ V1	Maximum total pipe: length, of all sections, must not exceed 30 feet. Total horizontal sections must not exceed 8 feet. Minimum of 1 foot between 90° elbows is required.
A)	0' Min.	2' Max.	1' Min.	
B)	1' Min.	4' Max.	3' Min.	
C)	2' Min.	5' Max.	4' Min.	
D)	3' Min.	6' Max.	5' Min.	
E)	4' Min.	7' Max.	6' Min.	
F)	5' Min.	8' Max.	7' Min.	



Vertical Venting with Three (3) 90° Elbows

Two 45° elbows = One 90° elbow


Option	V	H + H1	V+ V1	Maximum total pipe: length, of all sections, must not exceed 30 feet. Total horizontal sections must not exceed 8 feet. Minimum of 1 foot between 90° elbows is required.
A)	0' Min.	2' Max.	2' Min.	
B)	1' Min.	2' Max.	3' Min.	
C)	2' Min.	3' Max.	4' Min.	
D)	3' Min.	4' Max.	6' Min.	
E)	4' Min.	5' Max.	7' Min.	
F)	5' Min.	6' Max.	8' Min.	
G)	6' Min.	7' Max.	9' Min.	
H)	7' Min.	8' Max.	10' Min.	

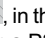


P36 - P36D Gas Fireplace

Venting Arrangements - Horizontal Terminations

This diagram shows all allowable combinations of vertical runs with horizontal terminations, **using one 90° elbow** (two 45° elbows equal one 90° elbow).

The lightly shaded area, , in the diagram shows allowable combinations when installing a P36

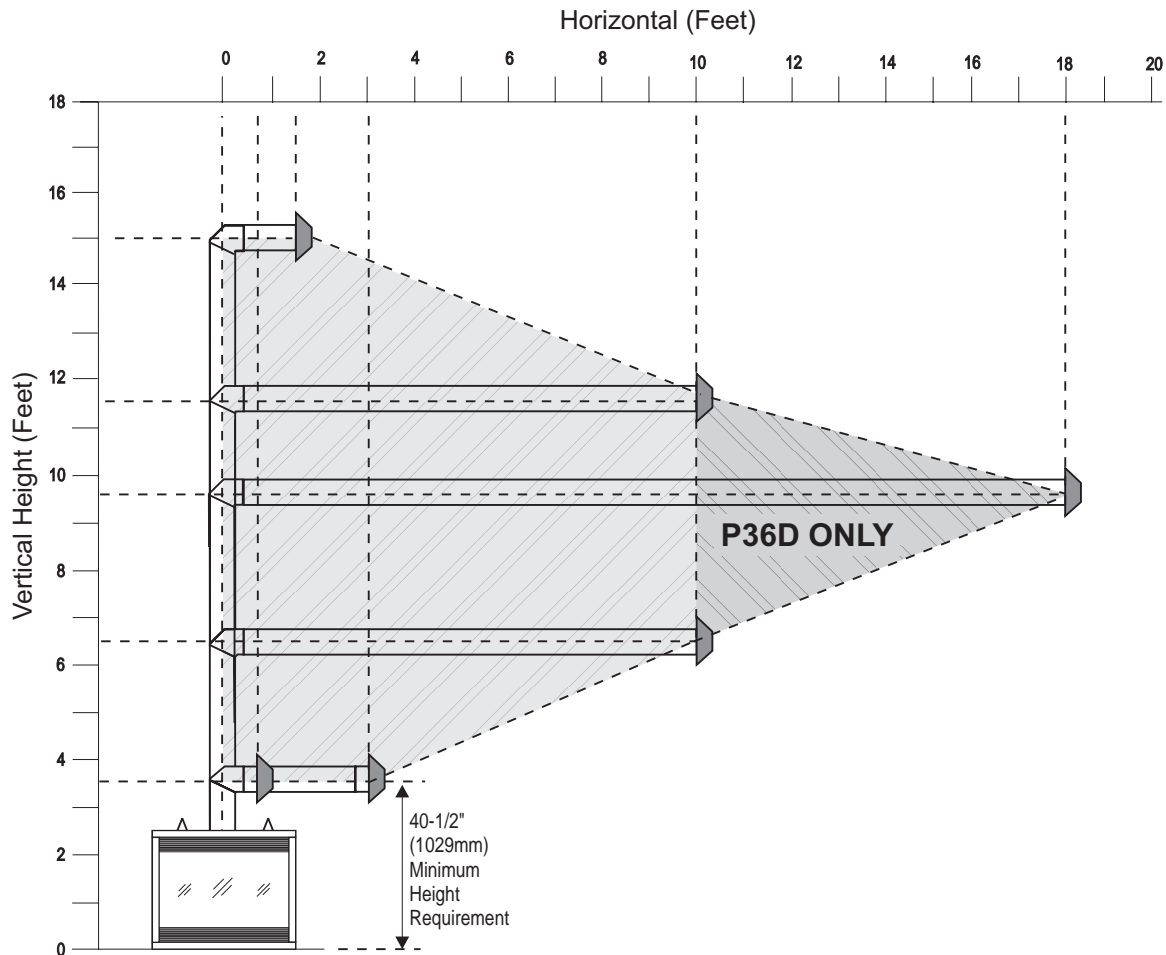
The darker shaded area, , in the diagram shows additional allowable combinations when installing a P36D.

Note: Must use optional flue adapter (Part # 510-994) when using Rigid Pipe.

- Maintain clearances to combustibles.
- Horizontal vent must be supported every 3 feet.
- Firestops are required at each floor level and whenever passing through a wall.

A vent guard may be required as per local codes, refer to page 11 for "Exterior Vent Termination Locations".

Note: FPI Direct Vent System (Flex) is only approved for horizontal terminations.

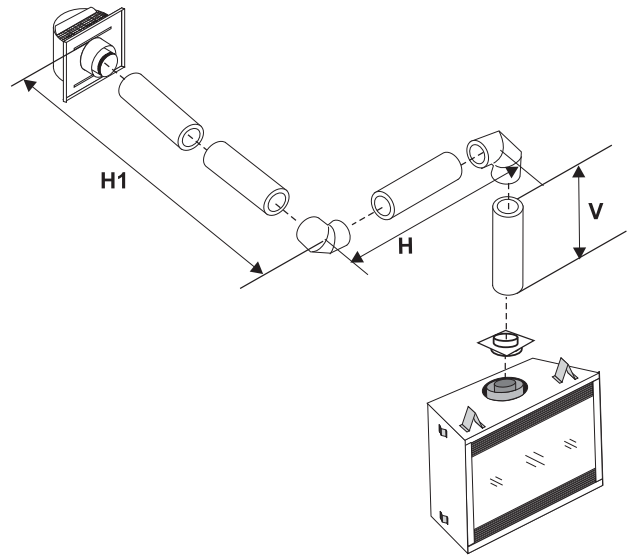


Please refer to Page 11 (Exterior Vent Terminations) for additional guidelines on vent locations.

Horizontal Venting with Two (2) 90° Elbows

Two 45° elbows = One 90° elbow

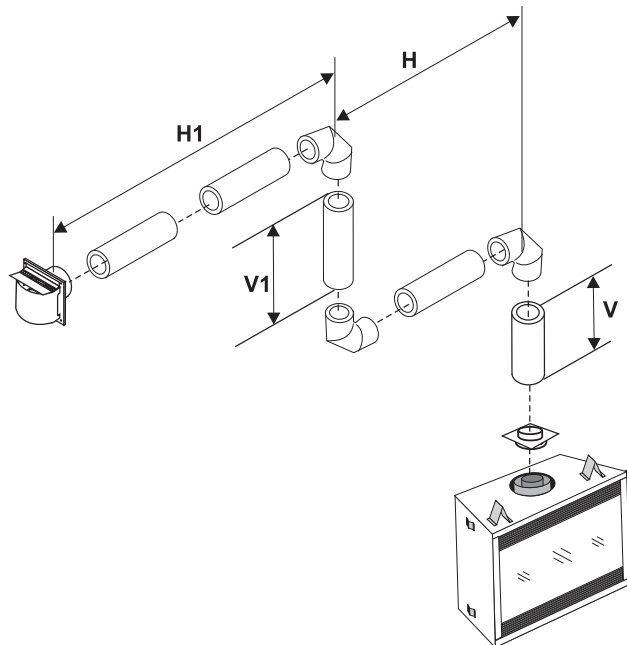
Option	V	H+ H1	Maximum total pipe: length, of all sections, must not exceed 30 feet. Total horizontal sections must not exceed 8 feet. Minimum of 1 foot between 90° elbows is required.
A)	0' Min.	2' Max.	
B)	1' Min.	3' Max.	
C)	2' Min.	4' Max.	
D)	3' Min.	5' Max.	
E)	4' Min.	6' Max.	
F)	5' Min.	7' Max.	
F)	6' Min.	8' Max.	



Horizontal Venting with Three (3) 90° Elbows

Two 45° elbows = One 90° elbow

Option	V	H	V+ V1	H + H1	Maximum total pipe: length, of all sections, must not exceed 30 feet. Total horizontal sections must not exceed 8 feet. Minimum of 1 foot between 90° elbows is required.
A)	0' Min.	1' Max.	1' Min.	2' Max.	
B)	1' Min.	2' Max.	3' Min.	3' Max.	
C)	2' Min.	2' Max.	5' Min.	4' Max.	
D)	3' Min.	2' Max.	7' Min.	5' Max.	
E)	4' Min.	3' Max.	9' Min.	6' Max.	
F)	5' Min.	4' Max.	10' Min.	7' Max.	
G)	6' Min.	5' Max.	11' Min.	8' Max.	
H)	7' Min.	6' Max.	12' Min.	9' Max.	



P36 - P36D Gas Fireplace

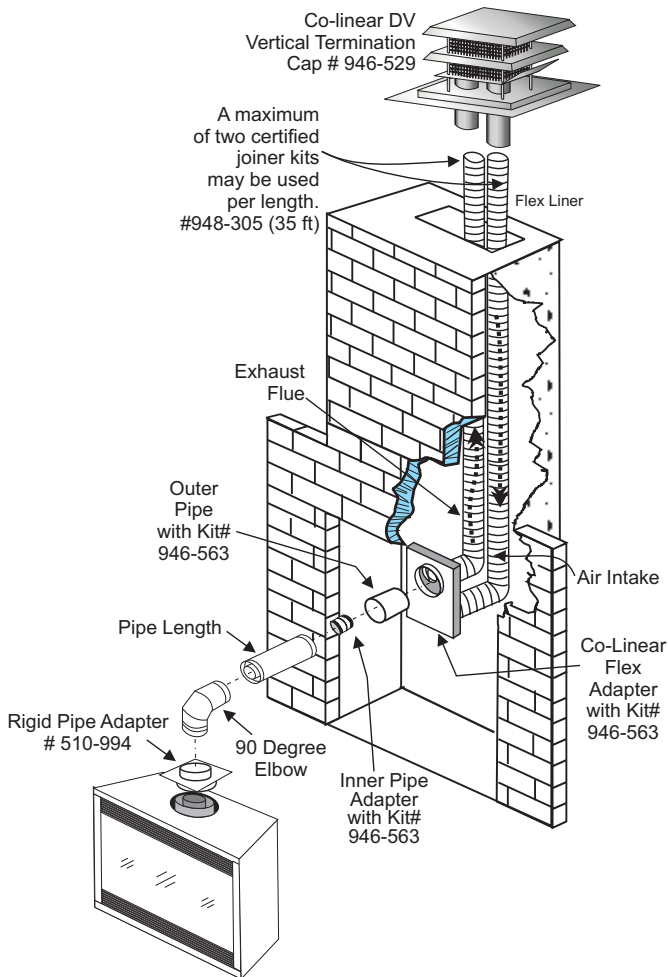
Vertical termination with co-linear flex system

The appliance must not be connected to a chimney flue serving a separate solid fuel burning appliance.

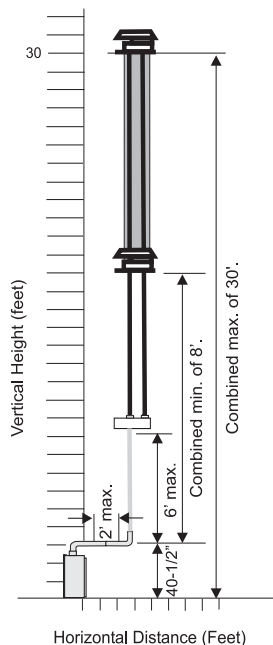
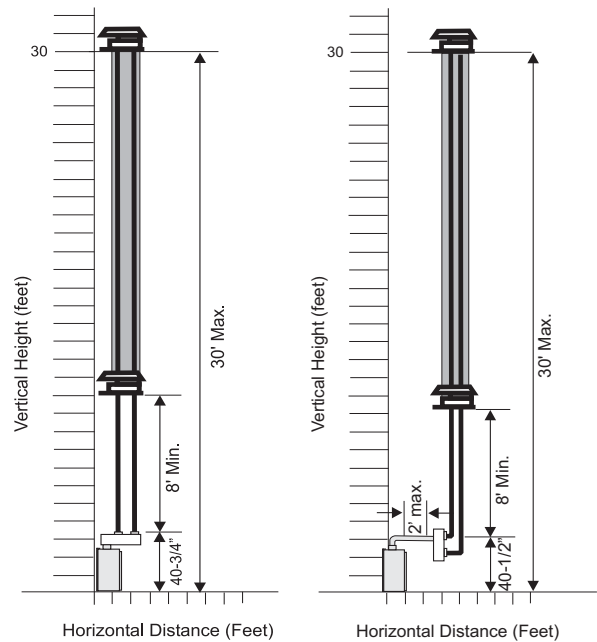
Masonry chimneys may take various contours which the flexible liner will accommodate. However, **keep the flexible liner as straight as possible**, avoid unnecessary bending.

The Air Intake pipe must be attached to the inlet air collar of the termination cap.

This appliance is designed to be attached to two 3" (76mm) co-linear aluminium flex running the full length of the chimney. See the Venting Arrangements for minimum and maximum heights.



Required Parts:	
Part #	Description
946-529	Co-linear DV Vertical Termination Cap
948-305	3" Flex - 35 ft.
946-563	Coaxial to Co-linear Adapter Kit which contains the following: Co-linear Flex Adapter Outer Pipe Inner Pipe Adapter
510-994	Flue Adapter
945	45° Elbow
Alternate Approved Caps	
980	Vertical Termination Cap
991	High Wind Cap
923GK	3" Co-linear Adapter with flashing



The shaded area in the diagrams show the allowable vertical terminations.

Please refer to Page 11 (Exterior Vent Terminations) for additional guidelines on vent locations.

Free Manuals Download Website

<http://myh66.com>

<http://usermanuals.us>

<http://www.somanuals.com>

<http://www.4manuals.cc>

<http://www.manual-lib.com>

<http://www.404manual.com>

<http://www.luxmanual.com>

<http://aubethermostatmanual.com>

Golf course search by state

<http://golfingnear.com>

Email search by domain

<http://emailbydomain.com>

Auto manuals search

<http://auto.somanuals.com>

TV manuals search

<http://tv.somanuals.com>