

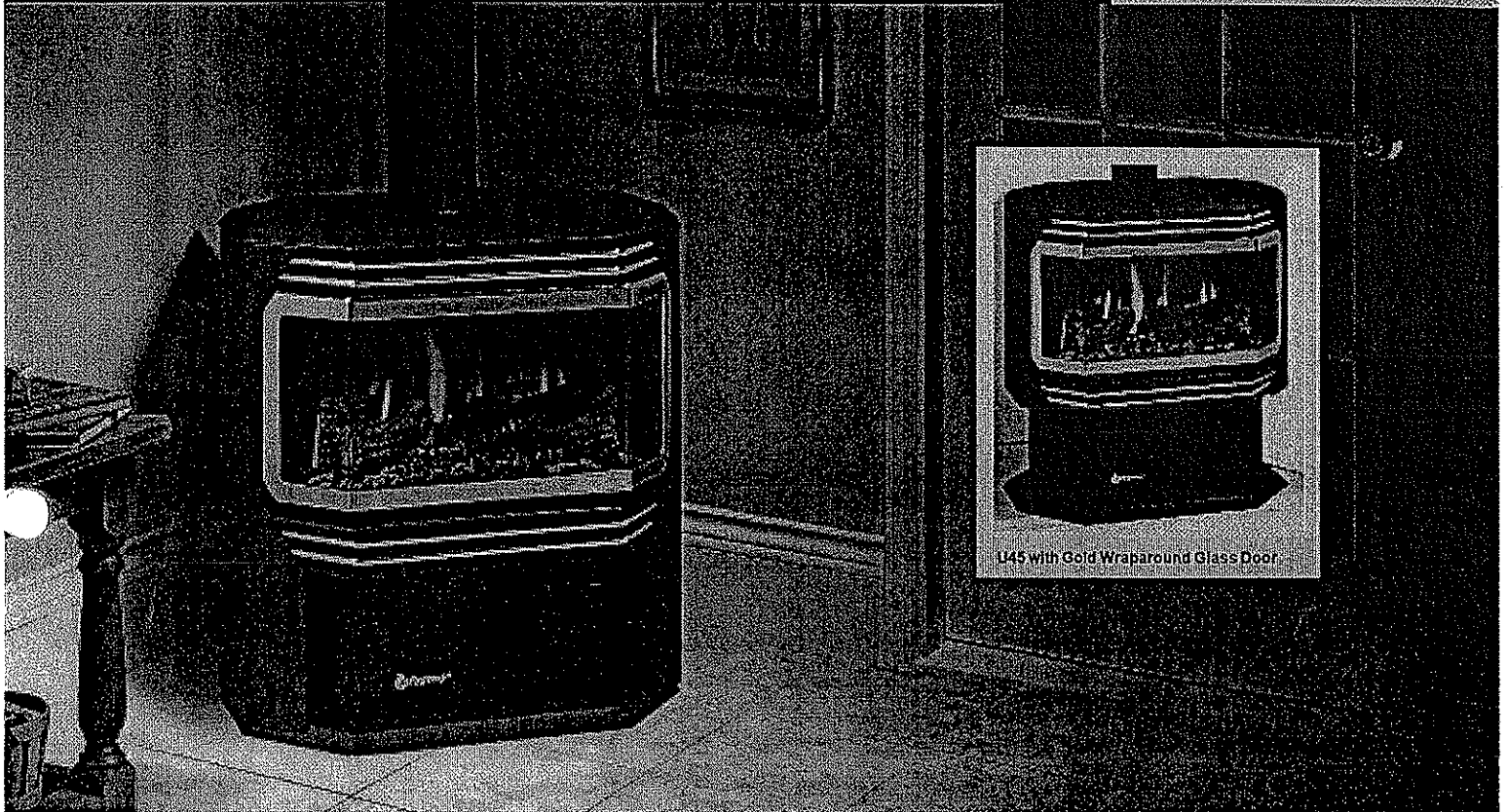
Regency

FIREPLACE PRODUCTS



Owners &
Installation Manual

ULTIMATE U29 & U45 Direct Vent Freestanding Gas Stove



MODELS: U29-NG1 Natural Gas U29-LP1 Propane U45-NG2 Natural Gas U45-LP2 Propane

WARNING:

If the information in these instructions are not followed exactly, a fire or explosion may result causing property damage, personal injury or loss of life.

FOR YOUR SAFETY

Do not store or use gasoline or other flammable vapors and liquids in the vicinity of this or any other appliance.

Installation and service must be performed by a qualified installer, service agency or the gas supplier.

FOR YOUR SAFETY

What to do if you smell gas:

- Do not try to light any appliance
- Do not touch any electrical switch: do not use any phone in your building.
- Immediately call your gas supplier from a neighbour's phone. Follow the gas supplier's instructions.
- If you cannot reach your gas supplier, call the fire department.



Installer: Please complete the details on the back cover and leave this manual with the homeowner.

Homeowner: Please keep these instructions for future reference.

TABLE OF CONTENTS

	Page		Page
Safety Label		Operating Instructions	
Safety Labels	4	Operating Instructions	32
Installation		Lighting Procedure	32
Specifications	7	Shutdown Procedure	32
Information for Mobile/Manufactured Home		First Fire	32
After First Sale	7	Copy of Lighting Plate Instructions	33
Before You Start	7	Convection Fan Operation	34
General Safety Information	8	Normal Operating Sounds of	
Installation Checklist	8	Gas Appliances	34
Clearances to Combustibles	9	Maintenance	
Locating Your ULTIMATE Gas Stove	10	Maintenance Instructions	34
Manufactured Mobile Home		General Vent Maintenance	35
Requirements	10	Log Replacement	35
Combustion and Ventilation Air	10	Gold Plated Doors	35
U29: Optional Long Side Door Installation	10	Door Gasket	35
U29: Louver Installation	10	Latch Adjustment	36
Vent Restrictors #1 and #2	11	Glass Replacement	36
Venting	11	Fan Maintenance - U45	38
Installation Precautions	11	Fan Maintenance - U29	39
Safety Precautions for the Installer	11	Removing Valve	40
Exterior Vent Terminal Locations	12	Replacement Parts List - U45	41
Venting Arrangements - Horizontal		Replacement Parts List - U29	44
Terminations: All Systems	13	Warranty	
Venting Arrangements - Vertical		Warranty	47
Terminations: Dura-Vent only	14		
- Straight Vertical	14		
- Offset Vertical	14		
DV Stove Horizontal Vent Kit 946-216	15		
Dura-Vent Termination Kits	18		
Planning Your Dura-Vent Installation	18		
Dura-Vent Venting Components Parts List	18		
Dura-Vent Horizontal Installation	20		
Dura-Vent Vertical Termination Installation	22		
Offset Chart	23		
Cathedral Ceiling Installations	23		
Support Extension - Round or Square	24		
Gas Connection	24		
High Elevation	24		
System Data Chart - U45	25		
System Data Chart - U29	25		
Gas Pipe Pressure Testing	26		
Valve Description	26		
Aeration Adjustment	27		
Log Installation	27		
Front Door Installation	29		
Optional Remote Control Installation	30		
Optional Wall Thermostat	30		
Final Check	30		
Wiring Diagram	31		

Copy of Safety Label for U45-LP2 Propane Stove

WABECK HERBEY

Regency
 FIREPLACE PRODUCTS

DO NOT REMOVE THIS LABEL / NE PAS ENLEVER CETTE ÉTIQUETTE

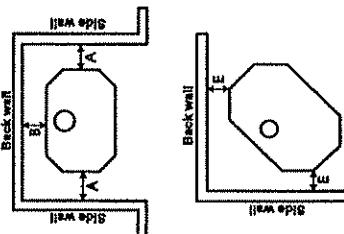
Serial No./No de serie
WH - U

Listed: **GRAVITY DIRECT VENT WALL FURNACE**
 Certified for/Certifiée pour: **CANADA AND U.S.A.**
 Tested to: CGA-2-17-M91, CAN1-2-19-M81, ANSI Z21.44-1995,
 UL307B-1995, ANSI Z21.88-1998/CGA 2.33-M98
 REPORT NO. 476-1089 (FEB.1995)

MAY BE INSTALLED IN MANUFACTURED (MOBILE) HOMES AFTER FIRST SALE

ÉQUIPÉ À L'USINE POUR GAZ PROPANE:
 Modèle U45-LP2

Minimum Clearances to Combustibles/ Degagement Minimum Des Matériaux Combustibles



A 7-1/2" / 190 mm
 B 4" / 100 mm
 E 2" / 50 mm

Min. Ceiling Height from top of unit / Min. Plafond Hauteur en haut de l'appareil:
 36" / 914 mm

FACTORY EQUIPPED FOR PROPANE GAS: Model U45-LP2	ÉQUIPÉ À L'USINE POUR GAZ PROPANE: Modèle U45-LP2	
Minimum supply pressure	12" WC/C.E. (3.00kPa)	Pression d'alimentation minimum
Manifold pressure High	11" WC/C.E. (2.74kPa)	Pression a la tubulure d'échappement élevée
Manifold pressure Low	2.9" WC/C.E. (0.72kPa)	Pression a la tubulure d'échappement élevée
Orifice size	50 DMS	Dimensions de l'orifice
Output - Fan ON	30,020 Btu/h (8.8Kwh)	Débit Calorifique - Ventilateur en Marche Btu/h
Output - Fan OFF	29,260 Btu/h (8.58Kwh)	Débit Calorifique - Ventilateur Éteint Btu/h
Altitude	0-2000 ft/pi (0-610m)	L'altitude
Maximum Input	38,000 Btu/h (11.14Kwh)	Débit calorifique maximum selon
Minimum Input	20,000 Btu/h (5.86Kwh)	Débit calorifique minimum selon

VENTING: Use listed Simpson Dura-Vent GS System. Only for direct discharge without duct connection. This appliance must be installed in accordance with the manufacturer's installation instructions and with local codes, if any; if not, follow the current ANSI Z223.1 in the USA or the current CAN/CGA-B149 in Canada.

For Manufactured Home Installation: This Direct Vent System Appliance must be installed in accordance with the manufacturer's installation instructions and Manufactured Home Construction and Safety Standard Title 24 CFR, Part 3280, or the current Standard for Fire Safety Criteria for Manufactured Home Installations, Sites, and Communities ANSI/NFPA 501A, and with CAN/CSA Z240 MH Mobile Home Standard in Canada.

Electrical supply 115VAC, 1.13 A, 60 Hz. Not for use with solid fuel.

DOOR SEAL ADJUSTMENT: Please check that door is properly sealed. Periodic adjustment of latch may be required.

Fireplace Products International Ltd., Delta, BC, Canada

MADE IN CANADA / FABRIQUE AU CANADA

908-082 WD rev. 01/99

INSTALLATION

IMPORTANT: SAVE THESE INSTRUCTIONS

The ULTIMATE Direct Vent Freestanding Gas Stove must be installed in accordance with these instructions. Carefully read all the instructions in this manual first. Consult the building authority having jurisdiction to determine the need for a permit prior to starting the installation.

Note: Failure to follow the instructions could cause a malfunction of the heater which could result in death, serious bodily injury, and/or property damage. Failure to follow these instructions may also void your fire insurance and/or warranty.

Note: These instructions take precedence over Simpson Dura-Vent instructions.

SPECIFICATIONS

Fuels: U45-NG2 and U29-NG1 are approved for use with natural gas.

U45-LP2 and U29-LP1 are approved for use with liquefied petroleum gases (propane).

Electrical: 120V A.C. system.

Circulation Fan: Variable speed, 125/75.

Log Sets: Ceramic fibre, 3 per set.

Vent System: Coaxial (6-5/8" outer / 4" inner liner) rigid flue and termination cap.

The efficiency rating of the appliance is a product thermal efficiency rating determined under continuous operating conditions and was determined independent of any installed system.

INFORMATION FOR MOBILE/ MANUFACTURED HOMES AFTER FIRST SALE

This Regency product has been tested and listed by Warnock Hersey as a Direct Vent Wall Furnace to the following standards: UL307B-1995, ANSI Z21.44-1995, CAN1-2.19-M81, CGA 2.22-M96, CAN/CGA-2.17-M91 and ANSI Z21.50-1996.

This Direct Vent System Appliance must be installed in accordance with the manufacturer's installation instructions and the Manufactured Home Construction and Safety Standard, Title 24 CFR, Part 3280, or the current Standard of Fire Safety Criteria for Manufactured Home Installations, Sites, and Communities ANSI/NFPA 501A, and with CAN/CSA Z240-MH Mobile Home Standard in Canada.

This appliance installation must comply with the manufacturer's installation instructions and local codes, if any. In the absence of local codes follow the current National Fuel Gas Code, ANSI Z223.1 and the current National Electrical Code ANSI/NFPA 70 in the U.S.A., and the current CAN/CGA B149 Gas Installation Code and the current Canadian Electrical Code CSA C22.1 in Canada.

This Regency Mobile/Manufactured Home Listed appliance comes factory equipped with a means to secure the unit.

This Regency Mobile/Manufactured Home listed appliance comes equipped with a dedicated #8 ground lug to which an 18 gauge copper wire from the steel chassis ground must be attached.

This appliance may only be installed in an aftermarket permanently located, manufactured (mobile) home, where not prohibited by local codes.

This appliance is only use with the type of gas indicated on the rating plate. This appliance is not convertible for use with other gases, unless a certified kit is used.

BEFORE YOU START

Safe installation and operation of this appliance requires common sense, however, we are required by the Canadian Safety Standards and ANSI Standards to make you aware of the following:

INSTALLATION AND REPAIRS SHOULD BE DONE BY A QUALIFIED SERVICE PERSON. THIS APPLIANCE SHOULD BE INSTALLED, REPAIRED, INSPECTED BEFORE USE AND AT LEAST ANNUALLY BY A QUALIFIED SERVICE PERSON. MORE FREQUENT CLEANING MAY BE REQUIRED DUE TO EXCESSIVE LINT FROM CARPETING, ETC. IT IS IMPERATIVE THAT THE CONTROL COMPARTMENT, BURNERS AND CIRCULATING AIR PASSAGEWAYS OF THE APPLIANCE BE KEPT CLEAN.

DUE TO HIGH TEMPERATURES, THE APPLIANCE SHOULD BE LOCATED OUT OF TRAFFIC AND AWAY FROM FURNITURE AND DRAPERIES.

WARNING: FAILURE TO INSTALL THIS APPLIANCE CORRECTLY WILL VOID YOUR WARRANTY AND MAY CAUSE A SERIOUS HOUSE FIRE.

CHILDREN AND ADULTS SHOULD BE ALERTED TO THE HAZARDS OF HIGH SURFACE TEMPERATURES, ESPECIALLY THE FIREPLACE GLASS, AND SHOULD STAY AWAY TO AVOID BURNS OR CLOTHING IGNITION.

YOUNG CHILDREN SHOULD BE CAREFULLY SUPERVISED WHEN THEY ARE IN THE SAME ROOM AS THE APPLIANCE.

CLOTHING OR OTHER FLAMMABLE MATERIAL SHOULD NOT BE PLACED ON OR NEAR THE APPLIANCE.

INSTALLATION

- 1) Clocking the appliance to ensure the correct firing rate (rate noted on label) after burning appliance for 15 minutes.
- 2) If required, adjusting the primary air to ensure that the flame does not carbon. First allow the unit to burn for 15-20 min. to stabilize.

CAUTION: Any alteration to the product that causes sooting or carboning that results in damage is not the responsibility of the manufacturer.

CLEARANCES TO COMBUSTIBLES

The clearances listed are MINIMUM distances. Measure the clearance to both the appliance and the chimney connector. The farthest distance is correct if the two clearances do not coincide.

For example, if the appliance is set as indicated in one of the figures but the connector is too close, move the stove until the correct clearance to the connector is obtained.

This appliance may be installed only with the clearances as shown in the situations pictured. **Do not combine clearances from one type of installation with another in order to achieve closer clearances.**

This unit can be installed on a solid combustible surface like a wood floor. This unit can also be installed directly on carpeting or vinyl when the bottom pedestal cover plate (provided with unit) is installed.

Use the minimum clearances shown in the diagrams below:

U45-NG2 & U45-LP2 Clearances	
A Side Wall to Unit	7-1/2" / 190 mm
B Back Wall to Unit	4" / 100 mm
E Side Wall to Unit	2" / 50 mm

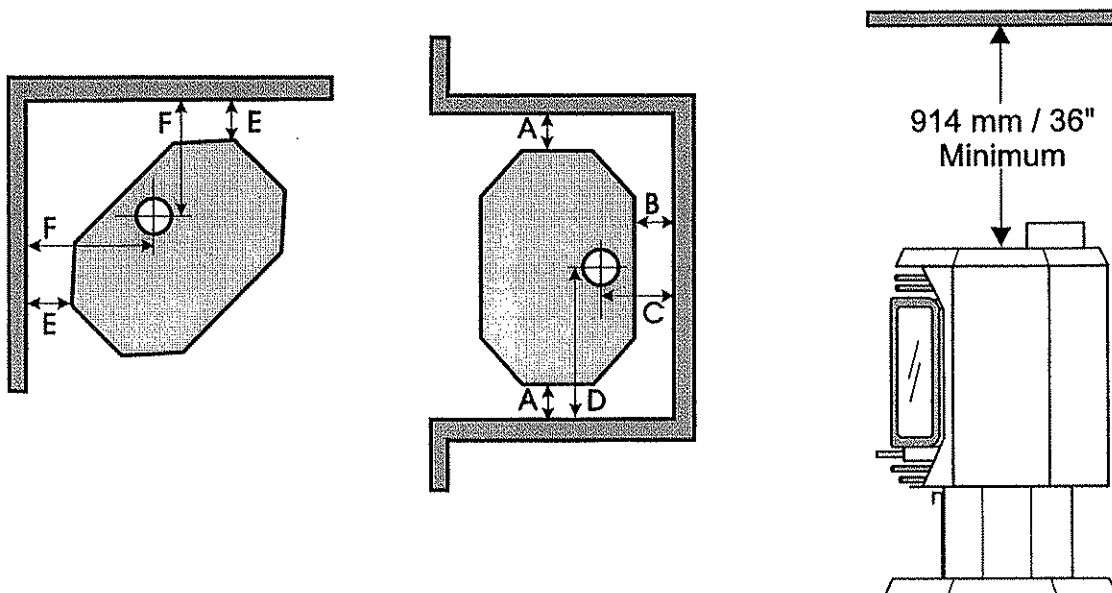
U29-NG1 & U29-LP1 Clearances	
A Side Wall to Unit	7-1/2" / 190 mm
B Back Wall to Unit	6" / 150 mm
E Side Wall to Unit	2" / 50 mm

U45-NG2 & U45-LP2 Reference Dimensions

C Back Wall to Flue Centerline	11" / 280 mm
D Side Wall to Flue Centerline	22-1/8" / 562 mm
F Side Wall to Flue Centerline	12" / 305 mm

U29-NG1 & U29-LP1 Reference Dimensions

C Back Wall to Flue Centerline	11" / 280 mm
D Side Wall to Flue Centerline	20-1/2" / 521 mm
F Side Wall to Flue Centerline	11" / 280 mm

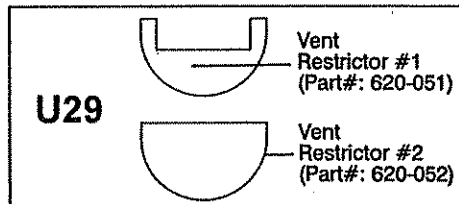
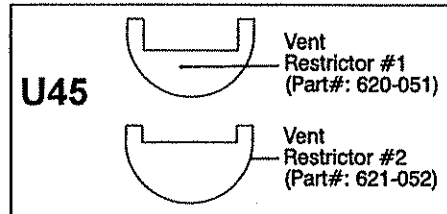


Minimum ceiling height is 36" / 914 mm from top of unit.

INSTALLATION

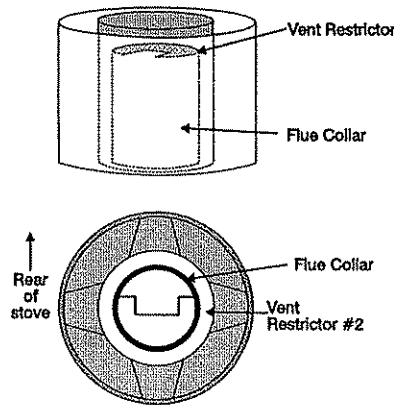
VENT RESTRICTORS #1 AND #2

Vent restrictors are required for certain venting installations, see the diagrams on pages 13 and 14 to determine if they are required for your installation. The two vent restrictors are supplied with your unit. If a vent restrictor is required it **must be installed prior to connecting the pipe to the twist-lock appliance adaptor**.



Slide the restrictor into the adaptor collar and push the tabs down between the inner flue collar and the inside pipe of the twist-lock appliance adaptor. See the diagram below.

The same procedure is used for vent restrictor #2.



VENTING INTRODUCTION

The DV Stove Horizontal Vent Kit and the Simpson Dura-Vent Direct Vent System Model DV-GS venting systems, in combination with the ULTIMATE Direct Vent Freestanding Gas Stove, U45-NG2, U45-LP2, U29-NG1, and U29-LP1, have been tested and listed as direct vent heater systems by Warnock Hersey.

These units use the "balanced flue" technology Co-Axial system. The inner liner vents products of combustion to the outside while the outer pipe draws outside combustion air into the combustion chamber thereby eliminating the need to use heated room air for combustion and losing warm room air up the chimney.

Note: *These flue pipes must not be connected to any other appliance.*

The gas appliance and vent system must be vented directly to the outside of the building, and never be attached to a chimney serving a separate solid fuel or gas burning appliance. Each direct vent gas appliance must use its own separate vent system. Common vent systems are prohibited.

IMPORTANT

Read all instructions carefully before starting the installation. Failure to follow these instructions may create a fire or other safety hazard, and will void the warranty. Be sure to check the venting and clearance to combustible requirements. Consult your local building codes before beginning installation.

The location of the termination cap must conform to the requirements in the Exterior Vent Terminal Locations diagram on page 12.

INSTALLATION PRECAUTIONS

These venting systems are engineered products that have been designed and tested for use with the U45-NG2, U45-LP2, U29-NG1, and U29-LP1. The warranty will be voided and serious fire, health or other safety hazards may result from any of the following actions:

- 1) Installation of any damaged Direct Vent component
- 2) Unauthorized modification of the Direct Vent System
- 3) Installation of any component part not manufactured or approved by Simpson Dura-Vent or Fireplace Products International Ltd.
- 4) Installation other than as instructed by Simpson Dura-Vent and Fireplace Products International Ltd.

Warning: Always maintain required clearances (air spaces) to nearby combustibles to prevent a fire hazard. Do not fill air spaces with insulation.

Be sure to check the vent termination clearance requirements from decks, windows, soffits, gas regulators, air supply inlets and public walkways as specified in the Exterior Vent Terminal Locations on page 12 and in your local building codes.

The gas appliance and vent system must be vented directly to the outside of the building, and never be attached to a chimney serving a separate solid fuel or gas-burning appliance. Each direct vent gas appliance must use its own separate vent system. Common vent systems are prohibited.

SAFETY PRECAUTIONS FOR THE INSTALLER

- 1) Wear gloves and safety glasses for protection.
- 2) Exercise extreme caution when using ladders or on roof tops.
- 3) Be aware of electrical wiring locations in walls and ceilings.

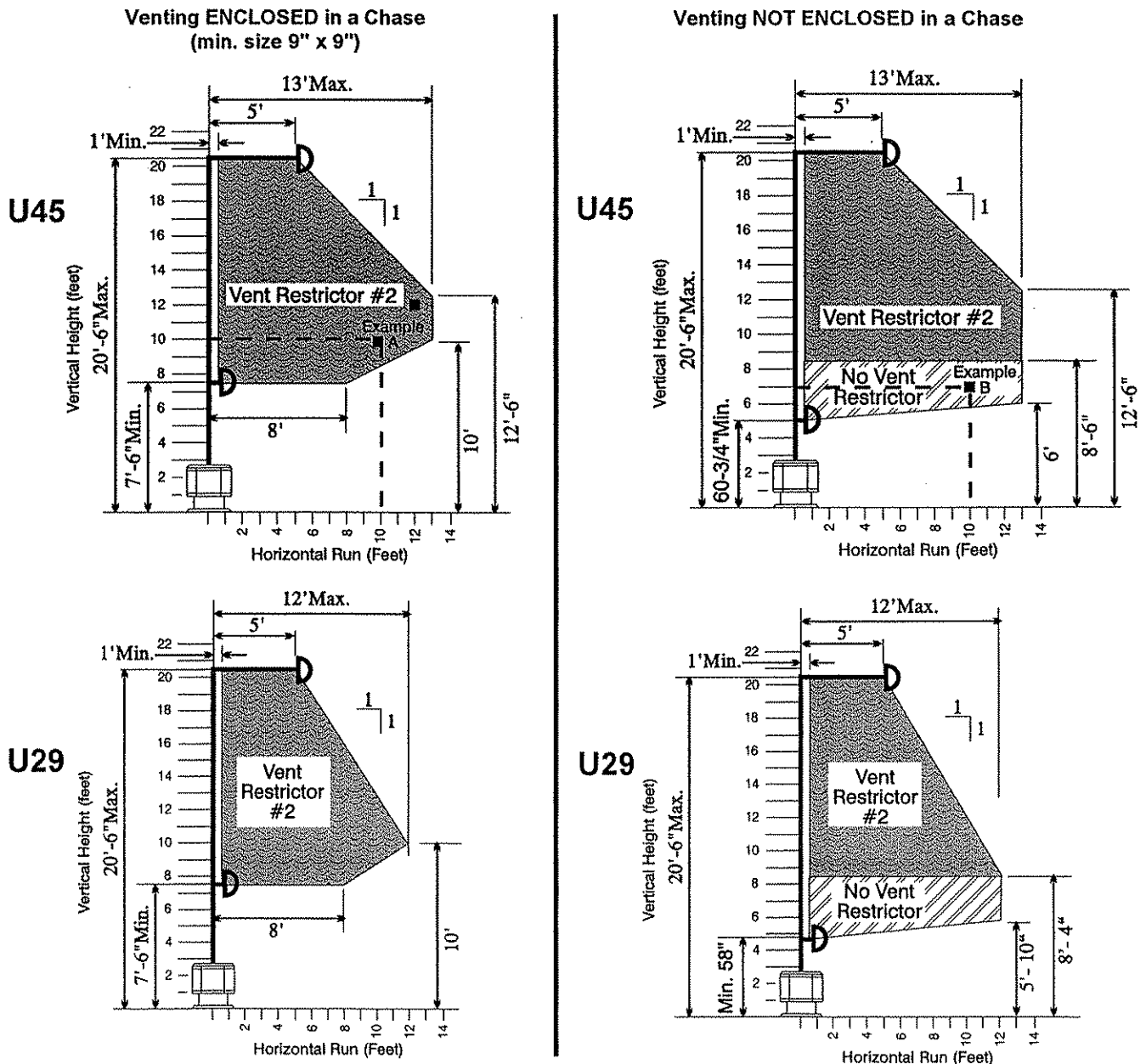
VENTING ARRANGEMENTS - HORIZONTAL TERMINATIONS FOR ALL VENTING SYSTEMS

The shaded areas in the four diagrams below show all allowable combinations of vertical runs with horizontal terminations. Maximum one 90° elbow.

RESIDENTIAL AND Manufactured Homes / Mobile Homes Installations

The venting arrangements diagrammed below, have a minimum of 75% (flue loss) efficiency with Fan Off, as required for manufactured homes. (Actual efficiency may be as high as 85%.)

Note: See page 11 for installation instructions for the Vent Restrictors. These must be installed before the pipe is connected to the unit. The vent restrictors are shipped inside the stove.



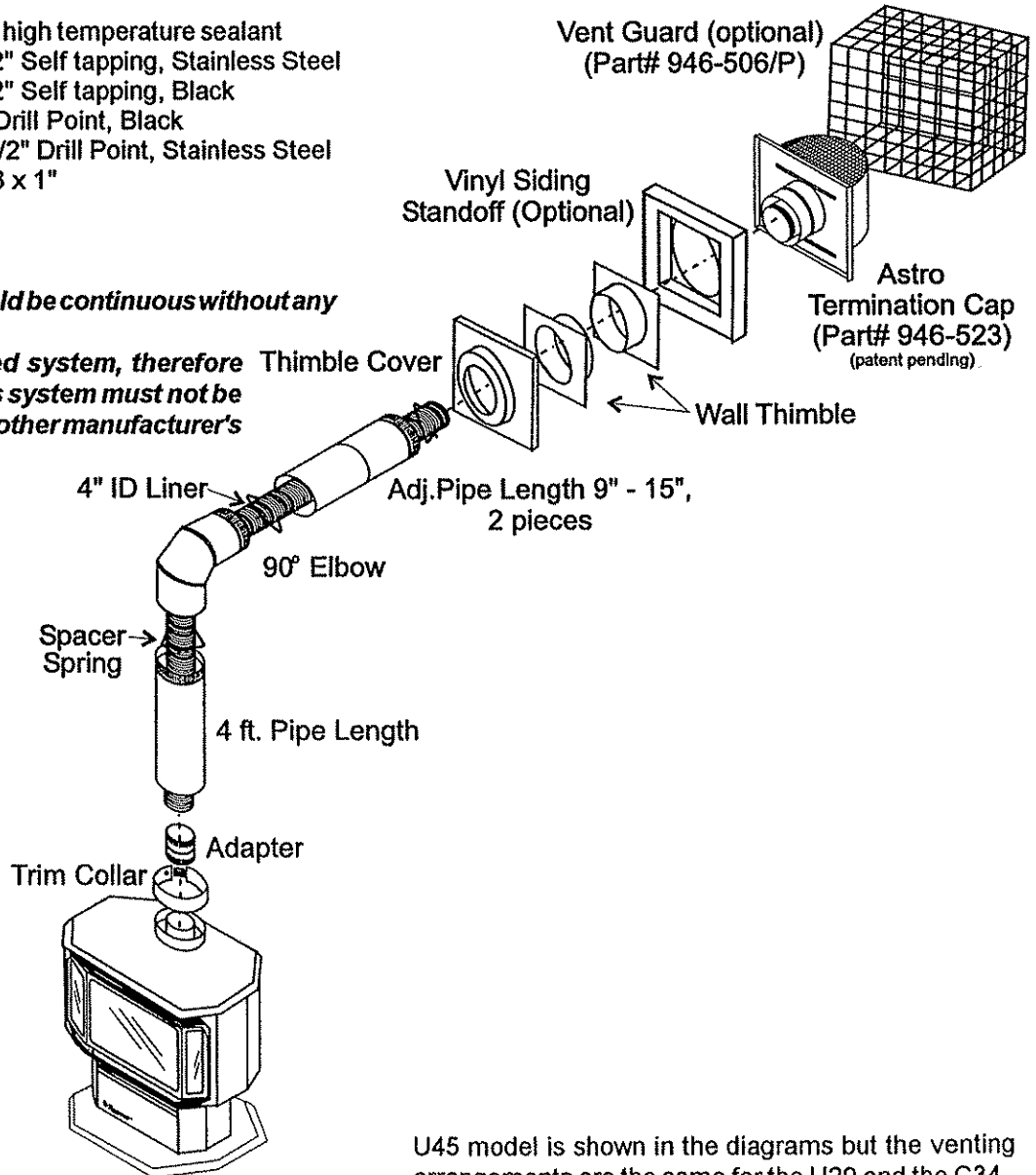
DV STOVE HORIZONTAL VENT KIT

DV Stove Horizontal Vent Kit (Part # 946-216) includes all the parts needed to install the U29-1 or U45-2 with minimum horizontal and vertical vent dimensions. For installations that require longer vertical and/or horizontal vents use the Dura-Vent system as shown on page 18.

- | Qty. | Description |
|------|---|
| 1) | 1 Rigid Pipe Section (4 ft. (1.2m) length), 6-1/2" (165mm) inside diameter |
| 2) | 1 Flex Liner - 4" (102mm) inside diameter, compressed aluminium 2 ply liner (5 ft. (1.5m) length) |
| 3) | 5 spring spacers |
| 4) | 1 90 deg. Elbow |
| 5) | 1 Adjustable pipe section 9" to 15" (229mm x 381mm), 2 pieces |
| 6) | 1 Thimble Cover |
| 7) | 1 Wall Thimble (2 pcs.) |
| 8) | 1 Adapter |
| 9) | 1 Astro Termination Cap |
| 10) | 1 Trim Collar |
| 11) | 1 tube of Mill-Pac, high temperature sealant |
| 12) | 12 Screws, #8 x 1/2" Self tapping, Stainless Steel |
| 13) | 13 Screws, #8 x 1/2" Self tapping, Black |
| 14) | 4 Screws #8 x 1" Drill Point, Black |
| 15) | 4 Screws #8 x 1-1/2" Drill Point, Stainless Steel |
| 16) | 8 Wood screws #8 x 1" |

Note:

- Liner sections should be continuous without any joints or seams.*
- This is an approved system, therefore components in this system must not be substituted for any other manufacturer's products.*



U45 model is shown in the diagrams but the venting arrangements are the same for the U29 and the C34.

INSTALLATION

Note: If installing termination on a siding covered wall, a vinyl siding standoff or furring strips must be used to ensure that the termination is not recessed into the siding. For vinyl siding standoff installation refer to the Dura-Vent Termination instructions.

- 5) Slide the partially connected pipe and vent terminal assembly through the wall thimbles (from the exterior into the interior) and secure the cap to the exterior wall with 4 of the supplied screws (#8 x 1-1/2" drill point, stainless steel). Note: pilot holes will need to be drilled through the wall thimble on all 4 corners.

Note: The four screws provided for the vent cap should be replaced with appropriate fasteners for stucco, brick, concrete, or other types of sidings.

- 6) Stretch the 4" dia. flex liner out fully and get a trial fit of the liner onto the 4" dia. starter collar.
- 7) Cut the 4" dia. flex liner to the desired size.

Hint: leave an extra 12" to 16" of length, this will make the final assembly easier to work with.

- 8) Secure the 4" dia. flex liner to the 4" adapter with Mill-Pac and 3 of the #8 x 1/2" screws (stainless steel).
- 9) Slide the decorative Thimble Cover over the pipe sections and secure with 4 screws (#8 x 1" drill point, black) to the wall.

- 10) Slide the 90° elbow (crimp end up) and the 4 ft. pipe section (crimp end up) over the 4" dia. flex liner.

- 11) Install the spring spacers onto the pipe sections.

- 12) Secure the 4" dia. flex liner with adapter onto the stove collar. Put a bead of Mill-Pac around the appliance adapter and secure with 3 screws (#8 x 1/2, stainless steel).

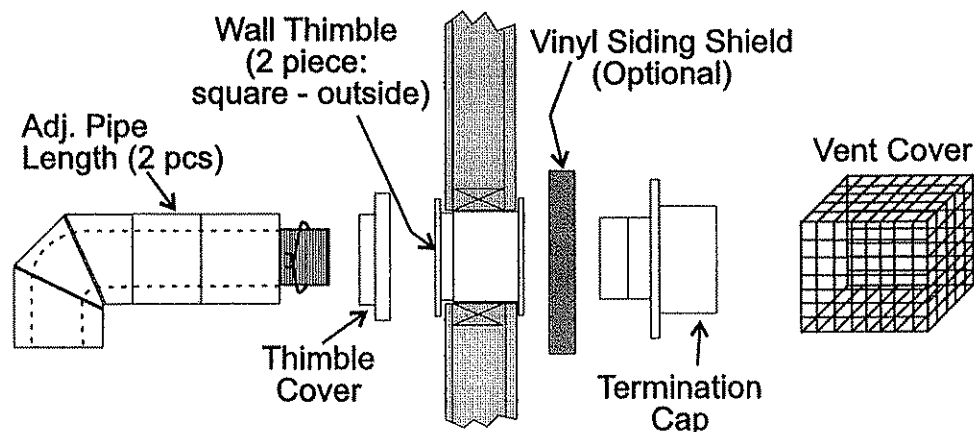
- 13) Attach the pipe section onto the starter collar by sealing with Mill-Pac and securing with 3 of the #8 x 1/2" (black) screws. Pipe seams should be facing the wall.

- 14) Attach the 90° elbow onto the pipe section by sealing with Mill-Pac and securing with 3 of the #8 x 1/2" screws (black).

- 15) Slide the adjustable pipe section onto the 90° elbow. The flex may have to be scrunched back in order for the adjustable pipe to properly mate to the elbow. Seal with Mill-Pac and secure with 3 of the #8 x 1/2" screws (black). Pipe seams facing down.

- 16) Install the trim collar over the starter collar and secure with a #8 x 1/2" screw (black).

If the pipe needs to be touched up, use only Stove Brite High Temperature Metallic Black Stove Paint.



NOTE: All inner joints must be sealed with Mill-Pac.
All outer joints may be sealed with high temperature silicone.

INSTALLATION

You will require the following components with your new Regency Direct Vent Freestanding Gas Stove. Please review your product to make sure you have everything you need. In the event that you are missing any part, contact your dealer.

Note: *These are the minimum pieces required. Other parts may be required for your particular installation. See page 18 for a list of vent parts.*

If installing termination on a siding covered wall, a vinyl siding standoff or furring strips can be used in order to ensure that the termination is not recessed into siding.

The vinyl siding standoff is required for walls with vinyl siding.

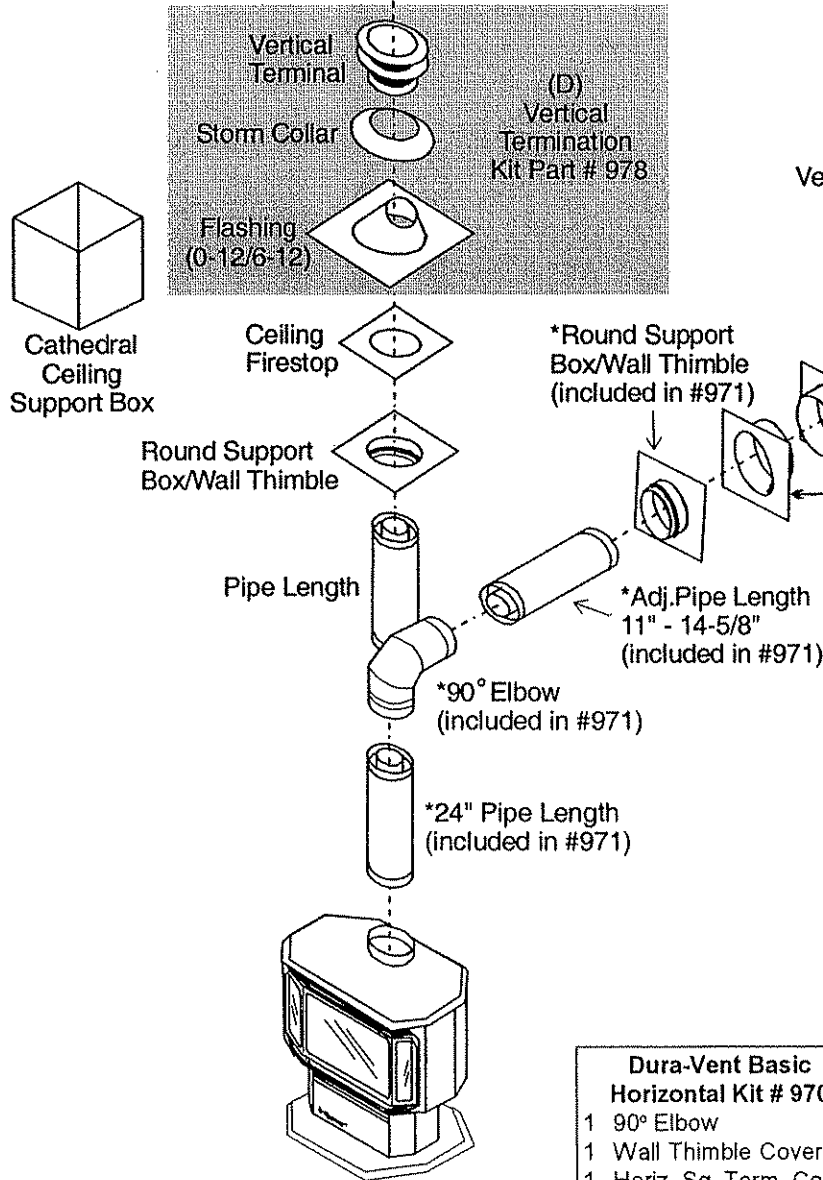
Minimum components for a Dura-Vent Horizontal Installation:

- A) Dura-Vent Horizontal Termination Kit
- B) Wall Thimble (required for combustible walls)

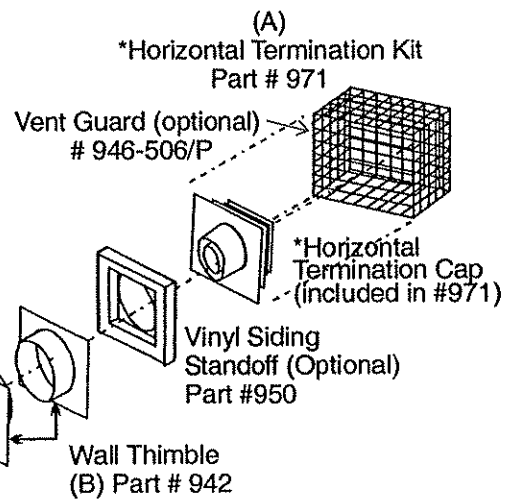
Minimum components for a Dura-Vent Vertical Termination:

- D) Dura-Vent Vertical Termination Kit
- See page 18 for pipe lengths.

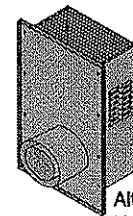
Dura-Vent Vertical Termination Installation



Dura-Vent Horizontal Termination Installation

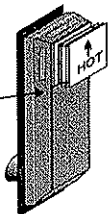


Alternate Horizontal Termination Caps



Alternate:
Horizontal
Riser Vent
Terminal
Part# 640-530

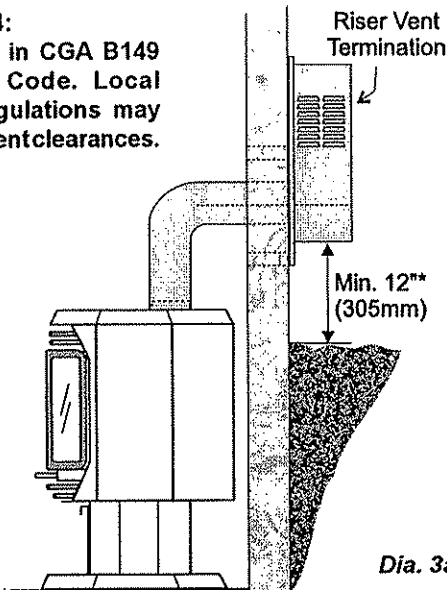
Alternate Snorkel
Termination Cap
Part #982 (14")
Part #981 (36")



- Dura-Vent Basic Horizontal Kit # 970**
- 1 90° Elbow
 - 1 Wall Thimble Cover
 - 1 Horiz. Sq. Term. Cap

INSTALLATION

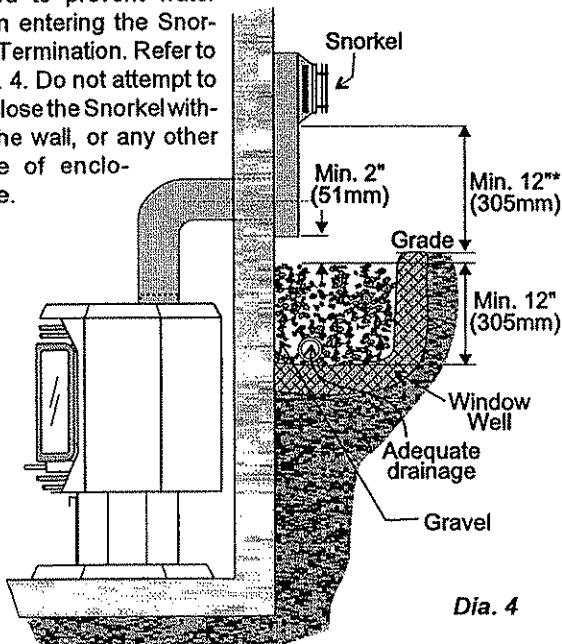
*Dia 3, 3a & 4:
As specified in CGA B149
Installation Code. Local
codes or regulations may
require different clearances.



Dia. 3a

Below Grade Installation

If the Snorkel Termination must be installed below grade, i.e. basement application, proper drainage must be provided to prevent water from entering the Snorkel Termination. Refer to Dia. 4. Do not attempt to enclose the Snorkel within the wall, or any other type of enclosure.



Dia. 4

- 4) If installing the vent termination to a wall with vinyl siding, the Vinyl Siding Standoff must be used. Attach the Vinyl Siding Standoff to the Horizontal Vent Termination, but first run a bead of non-hardening mastic around its outside edges, so as to make a seal between vent cap and the standoff. Install the Vinyl Siding Standoff (Part # 950) between the vent cap and the exterior wall and attach with the four wood screws provided. Seal around the Vinyl Siding Standoff on all four sides. Diagram 5. **The arrow on the vent cap should be pointing up.** Insure that the 1-1/4" clearances to combustible materials are maintained. See diagram 5.

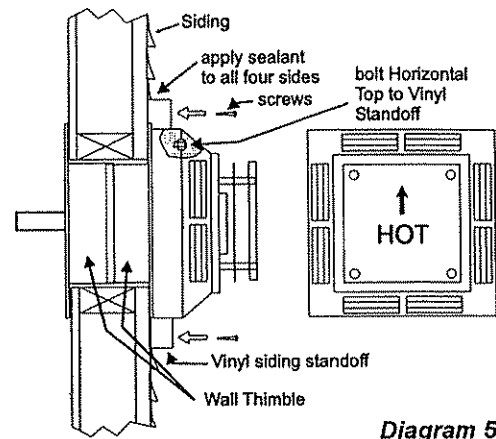


Diagram 5

Note: If installing termination on a siding covered wall, a vinyl siding standoff or furring strips must be used to ensure that the termination is not recessed into the siding. The four wood screws provided should be replaced with appropriate fasteners for stucco, brick, concrete, or other types of sidings.

- 5) Before connecting the horizontal run of vent pipe to the vent termination, slide the black decorative wall thimble cover over the vent pipe, then slide the Wall Thimble (Part # 942) over the vent pipe.
- 6) Slide the appliance and vent assembly towards the wall carefully inserting the vent pipe into the vent cap assembly. It is important that the vent pipe extends into the vent cap a sufficient distance so as to result in a minimum pipe overlap of 1-1/4 inches. Secure the connection between the vent pipe and the vent cap by attaching the two sheet metal strips extending from the vent cap assembly into the outer wall of the vent pipe. Use the two sheet metal screws provided to connect the strips to the pipe. Bend any remaining portion of the sheet metal strip back towards the vent cap, so it will be concealed by the decorative wall thimble cover. See diagram 6.

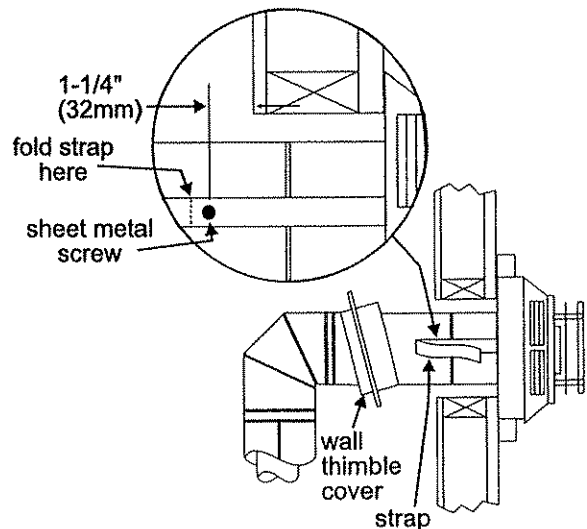
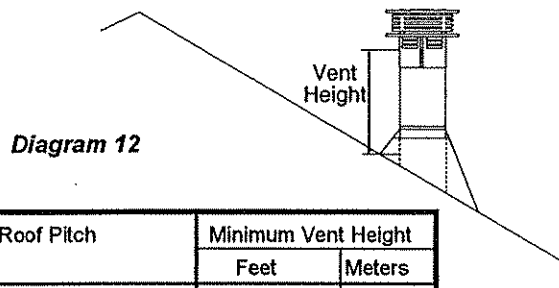


Diagram 6

INSTALLATION

Galvanized pipe and elbows may be utilized in the attic as well as above the roofline. The galvanized finish is desirable above the roofline due to its higher corrosion resistance.

Continue to add pipe sections through the flashing until the height of the vent cap meets the minimum height requirements specified in diagram 12 or local codes. Note that for steep roof pitches, the vertical height must be increased. A poor draft, or down drafting can result from high wind conditions near big trees or adjoining roof lines, in these cases, increasing the vent height may solve the problem.



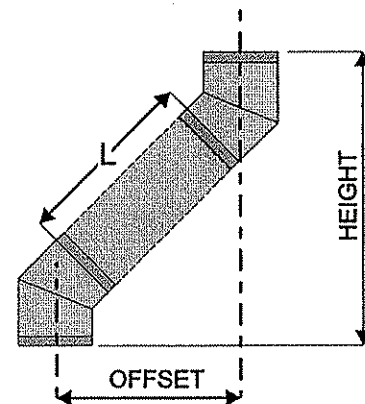
Roof Pitch	Minimum Vent Height	
	Feet	Meters
flat to 7/12	2	0.61
over 7/12 to 8/12	2	0.61
over 8/12 to 9/12	2	0.61
over 9/12 to 10/12	2.5	0.76
over 10/12 to 11/12	3.25	0.99
over 11/12 to 12/12	4	1.22
over 12/12 to 14/12	5	1.52
over 14/12 to 16/12	6	1.83
over 16/12 to 18/12	7	2.13
over 18/12 to 20/12	7.5	2.29
over 20/12 to 21/12	8	2.44

framed to 10" x 10" inside dimensions, in the same manner as shown in diagram 10.

- b) Any occupied areas above the first floor, including closets and storage spaces, through which the vertical vent passes, must be enclosed.

Offset Chart

GS 6"(152mm) Nominal Diameter ID					
Offset		Pipe Length (L)		Height	
inches	mm	inches	mm	inches	mm
4 3/4	121	0	0	13 1/4	337
9	229	6	152	17 1/2	445
11 1/4	286	9	229	19 1/2	495
13 1/4	337	12	305	21 3/4	552
21 3/4	552	24	610	30 1/4	768
30 1/4	768	36	914	39	991
38	965	48	1219	47	1194



- 7) Ensure vent is vertical and secure the base of the flashing to the roof with roofing nails, slide storm collar over the pipe section and seal with a mastic.

- 8) Install the vertical termination cap by twist locking it.

Notes:

- a) For multistorey vertical installations, a Ceiling Fire stop (Part # 963) is required at the second floor, and any subsequent floor. Diagram 13. The opening should be

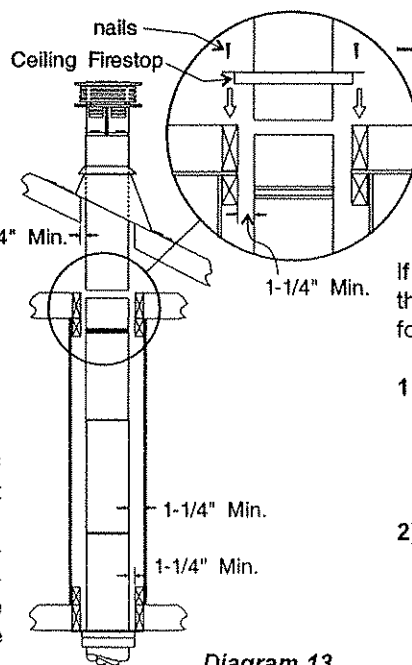


Diagram 13

CATHEDRAL CEILINGS

Round Support (RDS) & Square Support (SQS)

If your home has a cathedral ceiling (no attic space between the ceiling and the roof), install the chimney and support as follows.

- 1) Situate the chimney in a convenient location as near as possible to the appliance outlet. Cut and frame a hole in the roof for the support. The sides of this hole must be vertical with 1 1/4" clearance.
- 2) Place the support in the opening. Lower it to the correct height as determined by the table and diagram below.

Using a level, make sure the support is vertical. If the support extends above the roof, cut it flush with the top of

INSTALLATION

System Data - U45-2		
For 0 to 2000 feet altitude		
Burner Inlet Orifice Sizes:		
Burner	Natural Gas	Propane
	#32	#50
*Above 2000 ft. see National Fuel Code Orifice Chart.		
Max. Input Rating	Natural Gas	38,000 Btu/h
	Propane	38,000 Btu/h
Min. Input Rating	Natural Gas	20,000 Btu/h
	Propane	20,000 Btu/h
Output Capacity with blower Off*		
	Natural Gas	28,500 Btu/h
	Propane	29,260 Btu/h
Output Capacity with blower On*		
	Natural Gas	29,260 Btu/h
	Propane	30,020 Btu/h
*See page 14 for manufactured home chart.		
Supply Pressure	Natural Gas	min. 5.0" w.c.
	Propane	min. 12.0" w.c.
Manifold Pressure		
	Natural Gas	3.8" +/- 0.2" w.c.
	Propane	11" +/- 0.2" w.c.

System Data - HIGH ELEVATION		
For 2,000 - 4,500 feet altitude		
Burner Inlet Orifice Sizes:		
Burner	Natural Gas	
	#33	
Max. Input Rating	Natural Gas	36,100 Btu/h
Min. Input Rating	Natural Gas	19,000 Btu/h
Output Capacity with blower Off		
	Natural Gas	27,075 Btu/h
Max. Output Capacity with blower On		
	Natural Gas	27,797 Btu/h

System Data - U29-1		
For 0 to 4500 feet altitude		
Burner Inlet Orifice Sizes:		
Burner	Natural Gas	Propane
	#40	#53
Max. Input Rating		27,000 Btu/h
Min. Input Rating		13,500 Btu/h
Output Capacity with blower Off*		
	Natural Gas	20,790 Btu/h
	Propane	21,411 Btu/h
Output Capacity with blower On*		
	Natural Gas	21,330 Btu/h
	Propane	21,924 Btu/h
*See page 14 for manufactured home chart.		
Supply Pressure	Natural Gas	min. 5.0" w.c.
	Propane	min. 12.0" w.c.
Manifold Pressure		
	Natural Gas	3.8" +/- 0.2" w.c.
	Propane	11" +/- 0.2" w.c.

INSTALLATION

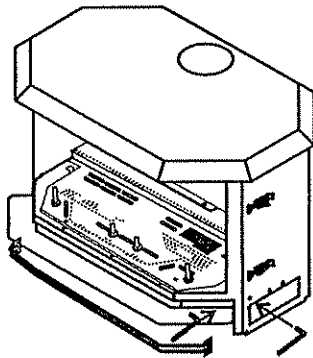
AERATION ADJUSTMENT

The burner aeration is factory set but may need adjusting due to either the local gas supply, air supply or altitude.

U45 Natural Gas: 5/16" open
Propane: wide open

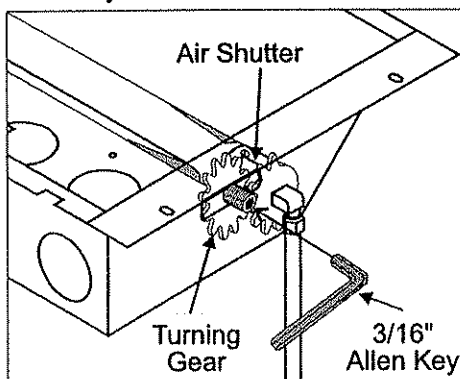
U29 Natural Gas: 1/8" open
Propane: 3/8" open

The aeration adjustment gears are located on the right side of the burner box and can be accessed from the side or from the front when the louvers are removed.



To adjust the aeration: use the allen key to turn the turning gear which will adjust the air shutter. Open the air shutter for a blue flame or close it for a yellower flame. This adjustment is performed by a qualified installer. The factory setting should be sufficient for most installations.

Closed - Tall yellow flame
Open - Short blue flame



Clockwise to open, counter-clockwise to close.

Caution: Carbon will be produced if the air shutter is closed too much.

Note: Any damage due to carboning resulting from improperly setting the aeration controls is NOT covered under warranty.

LOG INSTALLATION

WARNING: Dangerous operating conditions may occur if these logs are not positioned in their approved locations. Read the instructions below carefully and refer to the diagrams. If logs are broken do not use the unit until they are replaced. Broken logs can interfere with the pilot and burner operation.

U29: The gas log kit contains the following:

- a) Front Right Log - Part # 902-020
- b) Front Left Log - Part # 902-021
- c) Rear log - Part # 902-022
- d) Embers - Part # 902-151 (1 bag)
- e) Lava - Part # 902-154 (1 bag)

(Part # 560-935 for the set of three logs)

U45-2: The gas log kit contains the following:

- a) Front Right Log - Part # 902-209
- b) Front Left Log - Part # 902-210
- c) Rear log - Part # 902-027
- d) Embers - Part # 902-151 (2 bags)
- e) Lava - Part # 902-154 (1 bag)

(Part # 650-976 for the set of three logs)

- 1) Remove the logs from the box and carefully unwrap them. The logs are fragile, handle with care - **DO NOT FORCE** into position.
- 2) Place the rear log, carefully sliding it down onto the pins, with the flat side of the log facing the back of the unit. See diagram 1.

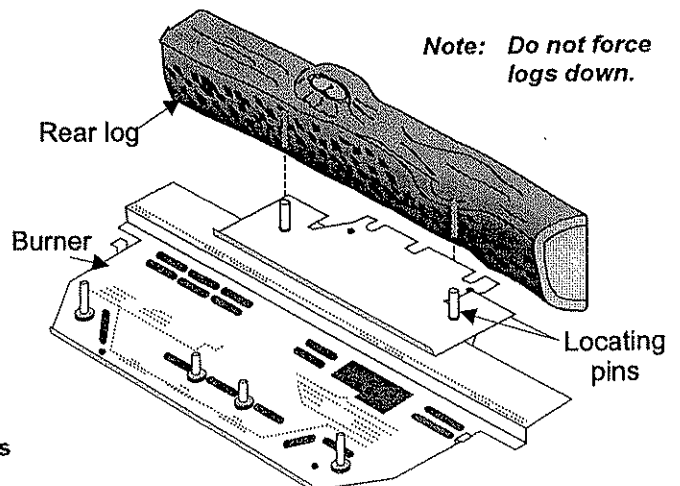
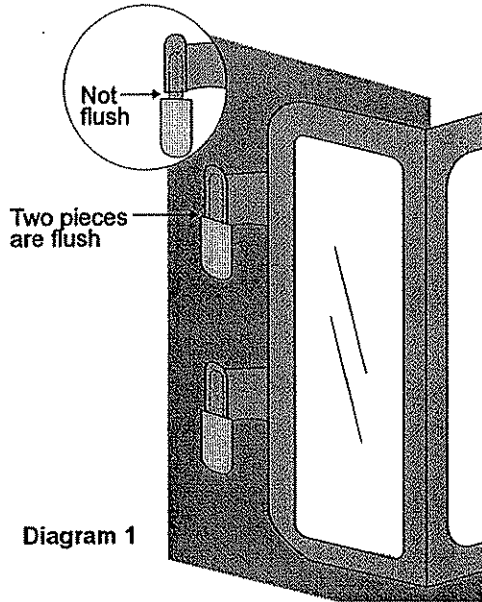


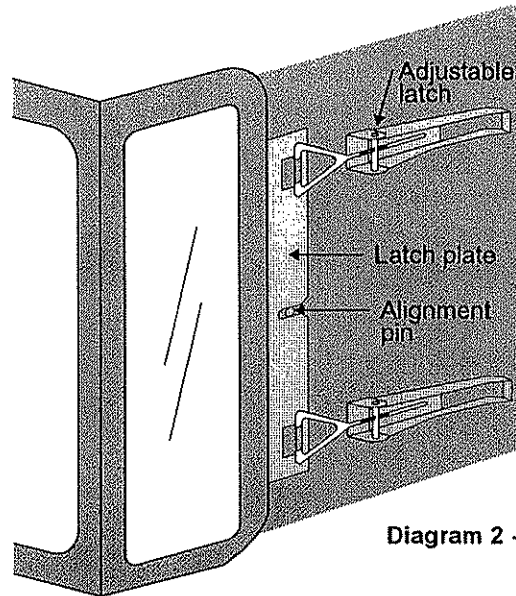
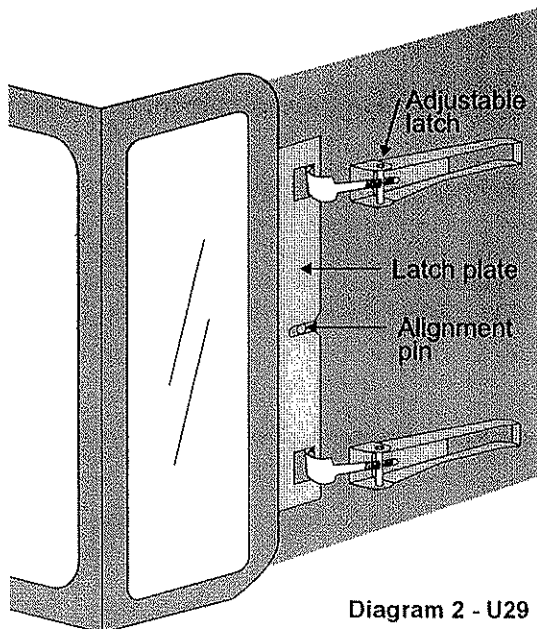
Diagram 1

FRONT DOOR INSTALLATION (Packaged Separately)

- 1) Open the two side panels.
- 2) Slide the door onto the two hinge pins making sure the two pieces are flush together. See diagram 1.

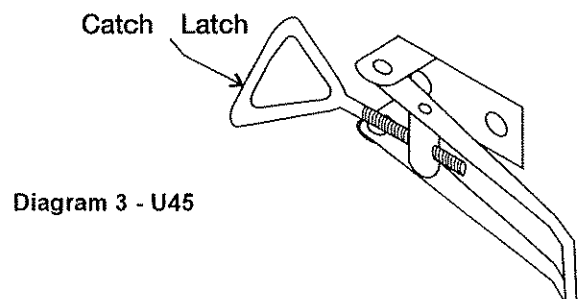
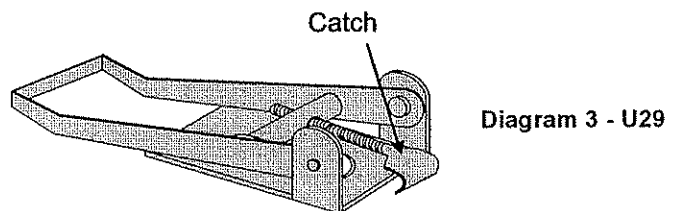


- 3) Close the door. The latch plate must be centered around the alignment pin. See diagram 2. If the latch plate interferes with the corner of the stove you may want to angle the plate slightly so the door closes easier.



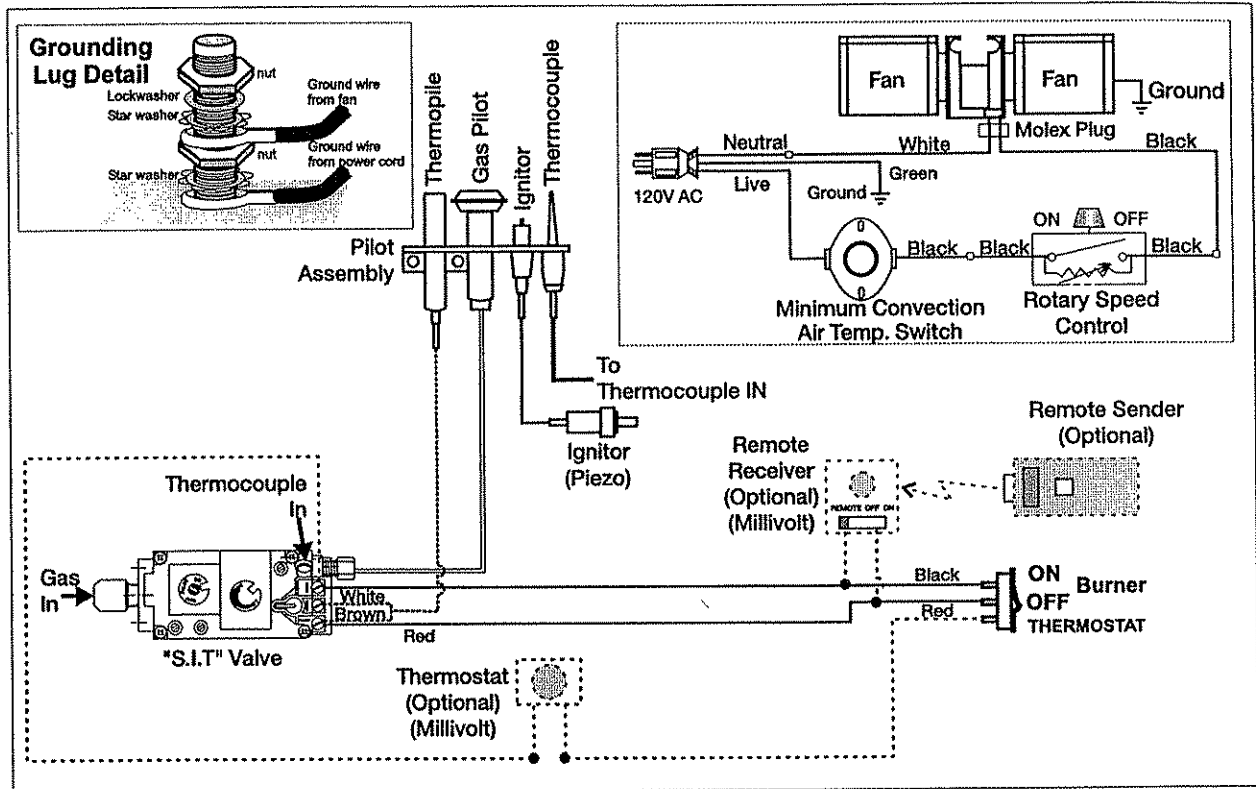
- 4) The latches should already be at the proper setting. If they are too hard or too easy to close, you may want to adjust them by loosening the latch catch. See diagram 3.
- 5) Remove the blue plastic protective coating from the glass.
- 6) Test the seal around the door by placing a piece of paper between the unit and the door, close the door and try to pull the paper out. If it slips out easily, then the door is not properly sealed. Tighten or loosen the latch. See diagram 3.

Note: *The door latch may require adjustment as the door gasket material compresses after a few fires and after glass replacement. Turn the latch catch inward or outward to loosen or tighten.*

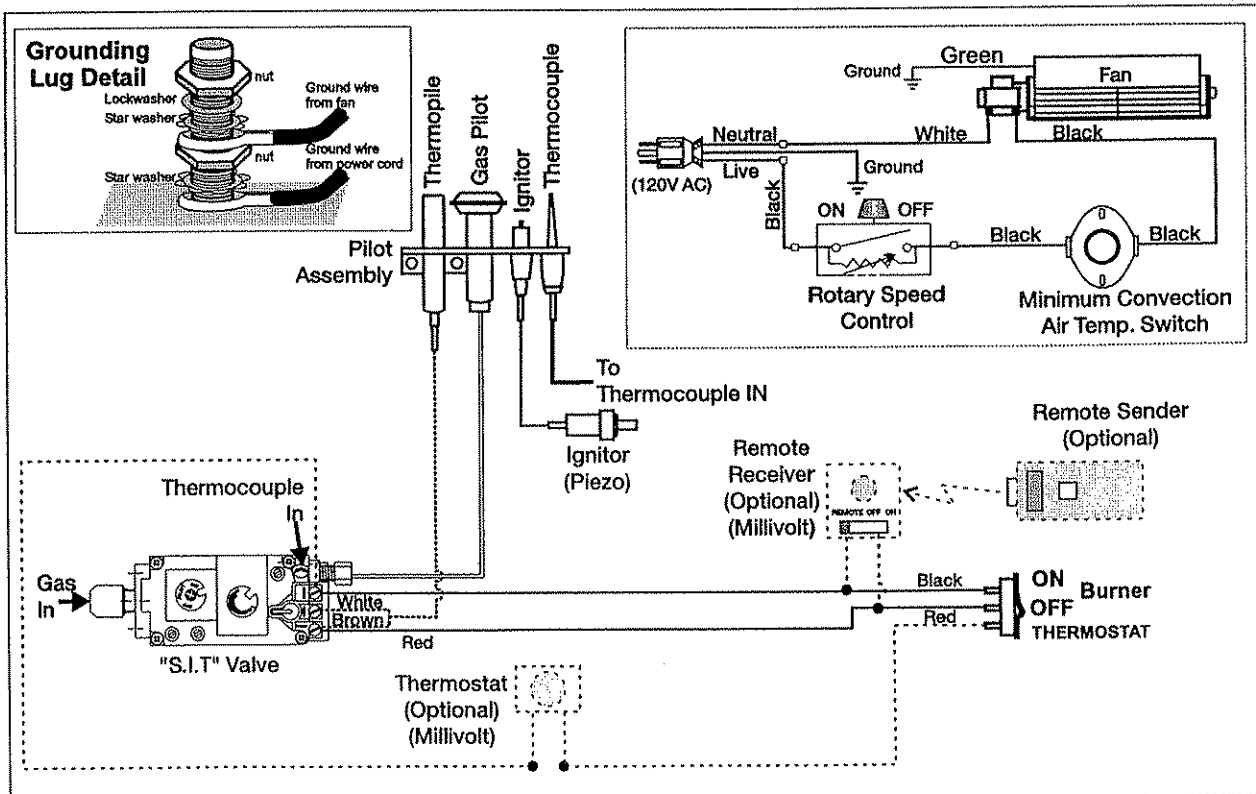


INSTALLATION

WIRING DIAGRAM - U45-NG2 & U45-LP2



WIRING DIAGRAM - U29-NG1 & U29-LP1



OPERATING INSTRUCTIONS

Copy of the Lighting Plate instructions

FOR YOUR SAFETY READ BEFORE LIGHTING

This appliance must be installed in accordance with local codes, if any; if not, follow the current CAN1-B149/ANSI Z 223.1 (Australia: AG601, New Zealand: NZS 5261)

WARNING: If you do not follow these instructions exactly, a fire or explosion may result causing property damage, personal injury or loss of life. Improper installation, adjustment, alteration, service or maintenance can cause injury or property damage. Refer to the owner's information manual provided with this appliance. For assistance or additional information consult a qualified installer, service agency or gas supplier.

- A) This appliance has a pilot which must be lighted by hand, following the instructions below exactly.
- B) BEFORE LIGHTING smell all around the appliance area for gas. Be sure to smell next to the floor because some gas is heavier than air and will settle on the floor.
- WHAT TO DO IF YOU SMELL GAS**
- Do not try to light any appliance
 - Do not touch any electric switch, do not use any phone in your building
 - Immediately call your gas supplier from a neighbors phone. Follow the gas supplier's instructions.
 - If you cannot reach your gas supplier, call the fire department.
- C) Use only your hand to push in or turn the gas control knob. Never use tools. If the knob will not push in or turn by hand, don't try to repair it, call a qualified service technician. Force or attempted repair may result in a fire or explosion.
- D) Do not use this appliance if any part has been under water. Immediately call a qualified service technician to inspect the appliance and to replace any part of the control system and any gas control which has been underwater.

This appliance needs fresh air for safe operation and must be installed so there are provisions for adequate combustion and ventilation air.

CAUTION: Hot while in operation. Do not touch. Due to high surface temperatures keep children, clothing and furniture away. Keep burner and control compartment clean. See installation and operating instructions accompanying appliance.

LIGHTING INSTRUCTIONS

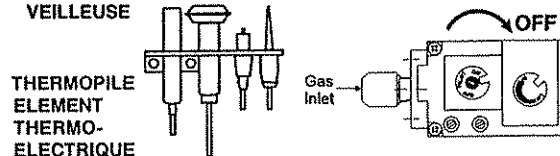
STOP! Read the safety information above on this label.

- 1) Push in gas control knob slightly and turn clockwise to "OFF". Knob cannot be turned from "PILOT" to "OFF" unless knob is pushed in slightly. Do not force.
- 2) Wait five (5) minutes to clear out any gas. If you then smell gas **STOP!** follow "B" in the safety information above on this label. If you don't smell gas, go to the next step.
- 3) Turn knob on gas control counterclockwise to "PILOT".
- 4) Push in control knob all the way and hold in. Immediately push black button on spark igniter until pilot lights. Continue to hold the control knob in for about 1/2 minute after the pilot is lit. Release knob and it will pop back up. Pilot should remain lit. If it goes out, repeat steps 3) and 4).

If knob does not pop up when released, stop and immediately call your service technician or gas supplier. If the pilot will not stay lit after several tries, turn the gas control knob to "OFF" and call your service technician or gas supplier.

- 5) Turn gas control knob counterclockwise to "ON".
- 6) Use rocker switch to operate main burner.

PILOT BURNER
VEILLEUSE



TO TURN OFF GAS APPLIANCE

- 1) Push in the gas control knob slightly and turn clockwise to "OFF". Do not force.
- 2) Turn off all electric power to the appliance if service is to be performed.

DO NOT REMOVE THIS INSTRUCTION PLATE

908-649

MAINTENANCE

DO NOT USE THIS APPLIANCE IF ANY PART HAS BEEN UNDER WATER. IMMEDIATELY CALL A QUALIFIED SERVICE TECHNICIAN TO INSPECT THE APPLIANCE AND TO REPLACE ANY PART OF CONTROL SYSTEM AND ANY GAS CONTROL WHICH HAS BEEN UNDER WATER.

CAUTION: ANY SAFETY SCREEN OR GUARD REMOVED FOR SERVICING AN APPLIANCE MUST BE REPLACED PRIOR TO OPERATING THE APPLIANCE.

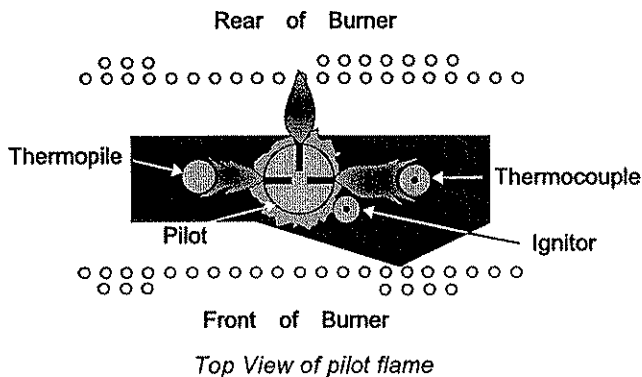
CLOTHING OR OTHER FLAMMABLE MATERIAL SHOULD NOT BE PLACED ON OR NEAR THE APPLIANCE.

- 7) Each time the appliance is lit, it may cause condensation and fog the glass. This condensation and fog is normal and will disappear in a few minutes as the glass heats up.

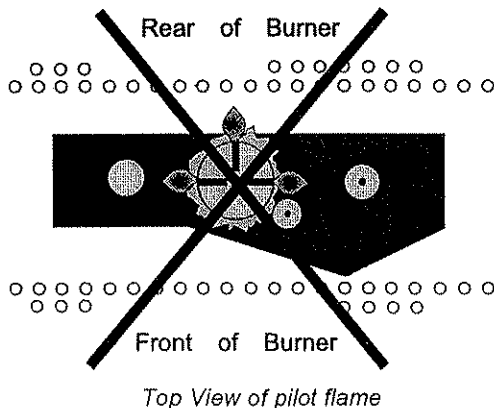
Never operate the appliance without the glass properly secured in place or with the door open.

- 8) Periodically check the pilot flames. Correct flame pattern has three strong blue flames: 1 flowing around the thermopile and 1 around the thermocouple, and 1 flowing across the rear of the burner (it does not have to be touching the burner).

Note: If you have an incorrect flame pattern, contact your Regency dealer for further instructions.



Incorrect flame pattern will have small, probably yellow flames, not coming into proper contact with the rear of the burner or thermopile.



GENERAL VENT MAINTENANCE

Conduct an inspection of the venting system semi-annually. Recommended areas to inspect as follows:

- 1) Check the Venting System for corrosion in areas that are exposed to the elements. These will appear as rust spots or streaks, and in extreme cases, holes. These components should be replaced immediately.
- 2) Remove the Cap, and shine a flashlight down the Vent. Remove any bird nests, or other foreign material.
- 3) Check for evidences of excessive condensation, such as water droplets forming in the inner liner, and subsequently dripping out the joints. Continuous condensation can cause corrosion of caps, pipe, and fittings. It may be caused by having excessive lateral runs, too many elbows, and exterior portions of the system being exposed to cold weather.
- 4) Inspect joints, to verify that no pipe sections or fittings have been disturbed, and consequently loosened. Also check mechanical supports such as Wall Straps, or plumbers' tape for rigidity.

LOG REPLACEMENT

The unit should never be used with broken logs. Turn off the gas valve and allow the unit to cool before opening door to carefully remove the logs. The pilot light generates enough heat to burn someone. If for any reason a log should need replacement, you must use the proper replacement log. The position of these logs must be as shown in the diagram under Log Installation.

Note: Improper positioning of logs may create carbon build-up and will alter the unit's performance which is not covered under warranty.

GOLD-PLATED DOORS

The 24 carat gold plated finish on the door requires little maintenance, and need only be cleaned with a damp cloth. DO NOT use abrasive materials or chemical cleaners, as they may harm the finish and void the warranty. Clean any fingerprints off before turning the unit on. **If the door starts to discolour, check the gasket seal and replace if necessary.**

DOOR GASKET

If the door gasket requires replacement use 7/8" diameter oval door gasket (Part # 650-920).

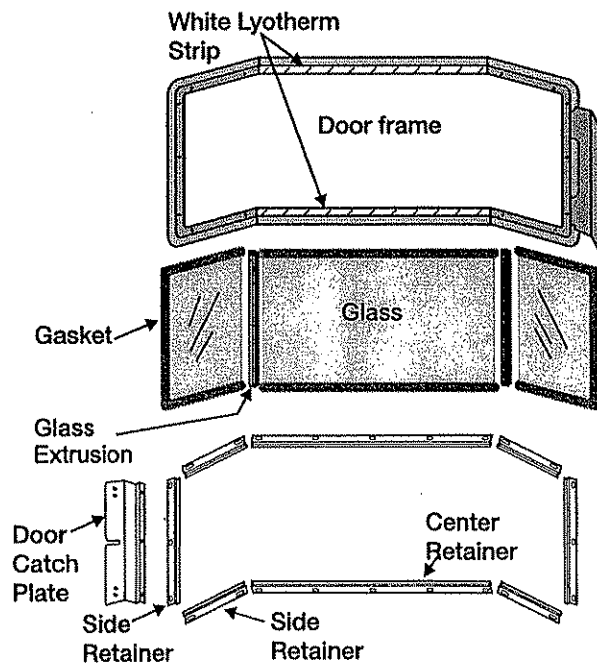
Mitred Glass Replacement

Removing Glass

- 1) Remove the door from the unit and place on a soft surface to prevent scratching.
- 2) Pull out the door gasket.
- 3) Remove the 24 nuts holding the glass retainers in place. *Do not remove the nuts underneath the retainers.*
- 4) Remove the door catch plate.
- 5) Remove glass retainers on sides first (3 each side) then remove two center retainers.

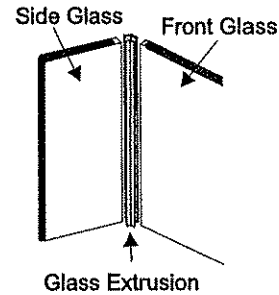
Note: *Center glass retainers are glued to center glass.*

- 6) Remove glass from extrusions. When removing center glass, leave white insulation in place.



Installing Glass

- 1) Install both center and side glass onto extrusions as per diagram.



- 2) Place glass assembly into door frame.
- 3) Install retainers by placing 1 drop of glue where previously glued and put in place.
- 4) Install side retainers.
- 5) Install door catch plate.
- 6) Install the 24 nuts loosely, do not tighten yet.
- 7) Tighten side panels nuts using the following procedure:
 - a. tighten top & bottom outside corner nuts (2)
 - b. tighten inside nuts (3)
 - c. tighten top & bottom inside corners (2)
- 8) Tighten the 10 nuts on center glass retainer.
- 9) Repeat step 7 for other side panel.
- 10) Replace new gasket by gluing it in place.
- 11) Install door onto stove and check the seal.

FAN MAINTENANCE - U29

If your fan requires maintenance or replacement, access to the fan is through the plate on the rear wall of the firebox. **NOTE:** the unit **MUST NOT** be operated without the fan access panel securely in place and correctly sealed.

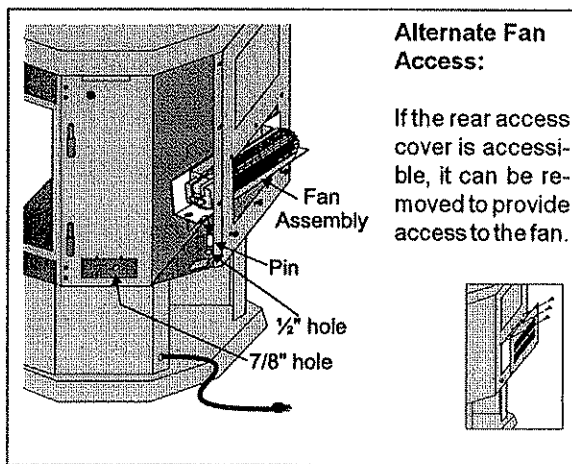
IMPORTANT: These fans collect a lot of dust from within your home. Ensure you maintain these fan motors on a regular basis by vacuuming out the fan squirrel cages, around the motor, and around the grills on the back of the stove.

IMPORTANT
Disconnect power supply before servicing

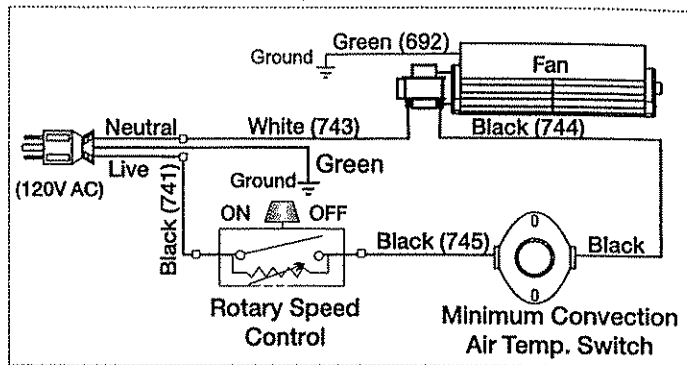
WARNING: Electrical Grounding Instructions
This appliance is equipped with a three pronged (grounding) plug for your protection against shock hazard and should be plugged directly into a properly grounded three-prong receptacle. Do not cut or remove the grounding prong from this plug.

To remove U29 fan:

- 1) Unplug or disconnect power source to stove.
- 2) Remove all logs and the rear log support, then remove the 10 screws holding the access panel in place.



- 3) Unclip the black and white wires from the fan motor.
- 4) Open both side doors and gently pull the flex pipe away from the center, otherwise the fan can catch on the flex pipe during installation and tear the pipe. Do not tear or damage the flex pipe.

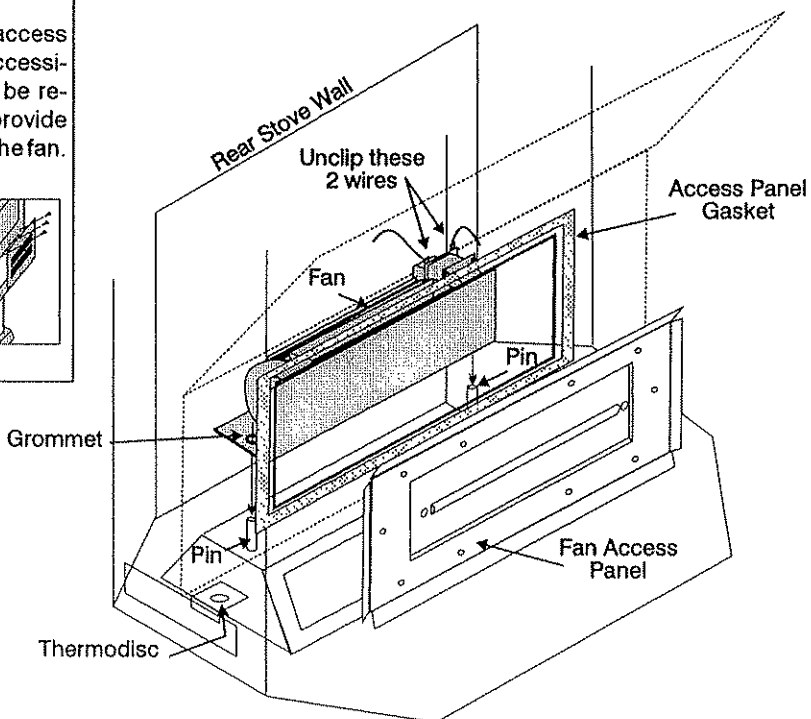


- 5) Lift fan off of the 2 pins, tip back and pull through firebox opening. Disconnect the green ground wire from the right side of the fan as soon as you can reach it.

Replacing U29 Fan:

Reverse the above steps (1 - 5). If necessary install a new gasket before replacing the fan access panel. Make sure the fan wires and the ground wire are reattached.

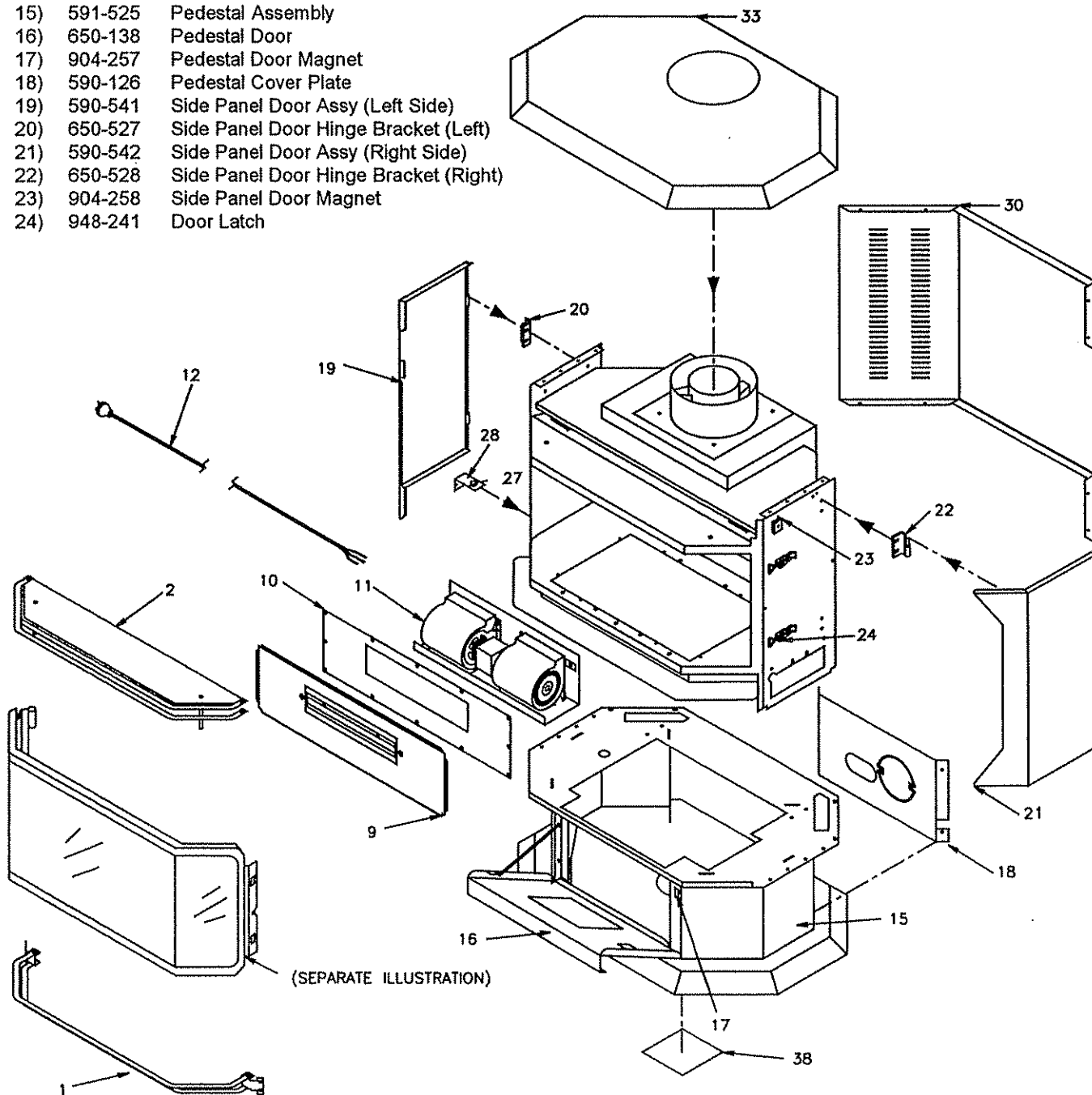
Hint for pushing fan down onto pins - rub a bit of dish soap on the grommet so it will slide more easily onto the pin. Check to make sure the fan is seated properly on the pins - try to move the fan back and forth, there should be no noise, if there is check that the grommets haven't come loose.



PARTS LIST

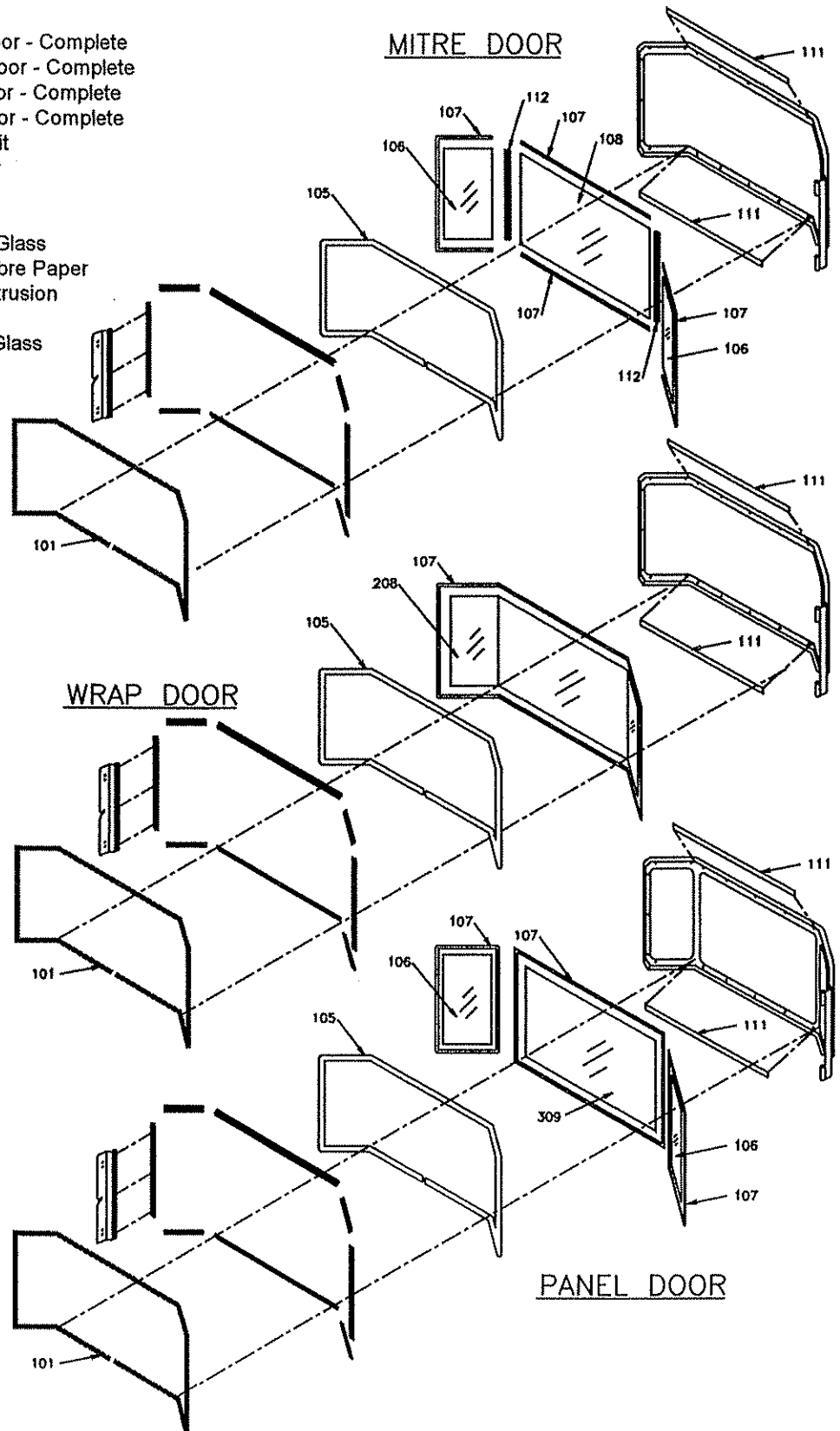
U45-2 MAIN ASSEMBLY

Part #	Description	Part #	Description
1)	590-513 Louver Assembly Bottom	27)	910-233 Thermodisc - Fan Auto/On/Off
2)	590-514 Louver Assembly Top	28)	650-086 Mounting Bracket - Fan Thermodisc
9)	621-550 Relief Door Assembly	30)	620-019 Rear Panel
10)	621-042 Gasket for Relief Door	33)	621-525 False Top Assembly
11)	620-597/P Fan Assembly	38)	820-058 Pedestal Bottom Cover Plate
	910-157/P Fan Motor		620-051 Flue Restrictor #1
12)	910-794 Power Cord		621-052 Flue Restrictor #2
	910-330 Fan Speed Control	948-116	Regency Logo
15)	591-525 Pedestal Assembly	908-882	Manual
16)	650-138 Pedestal Door		
17)	904-257 Pedestal Door Magnet		
18)	590-126 Pedestal Cover Plate		
19)	590-541 Side Panel Door Assy (Left Side)		
20)	650-527 Side Panel Door Hinge Bracket (Left)		
21)	590-542 Side Panel Door Assy (Right Side)		
22)	650-528 Side Panel Door Hinge Bracket (Right)		
23)	904-258 Side Panel Door Magnet		
24)	948-241 Door Latch		



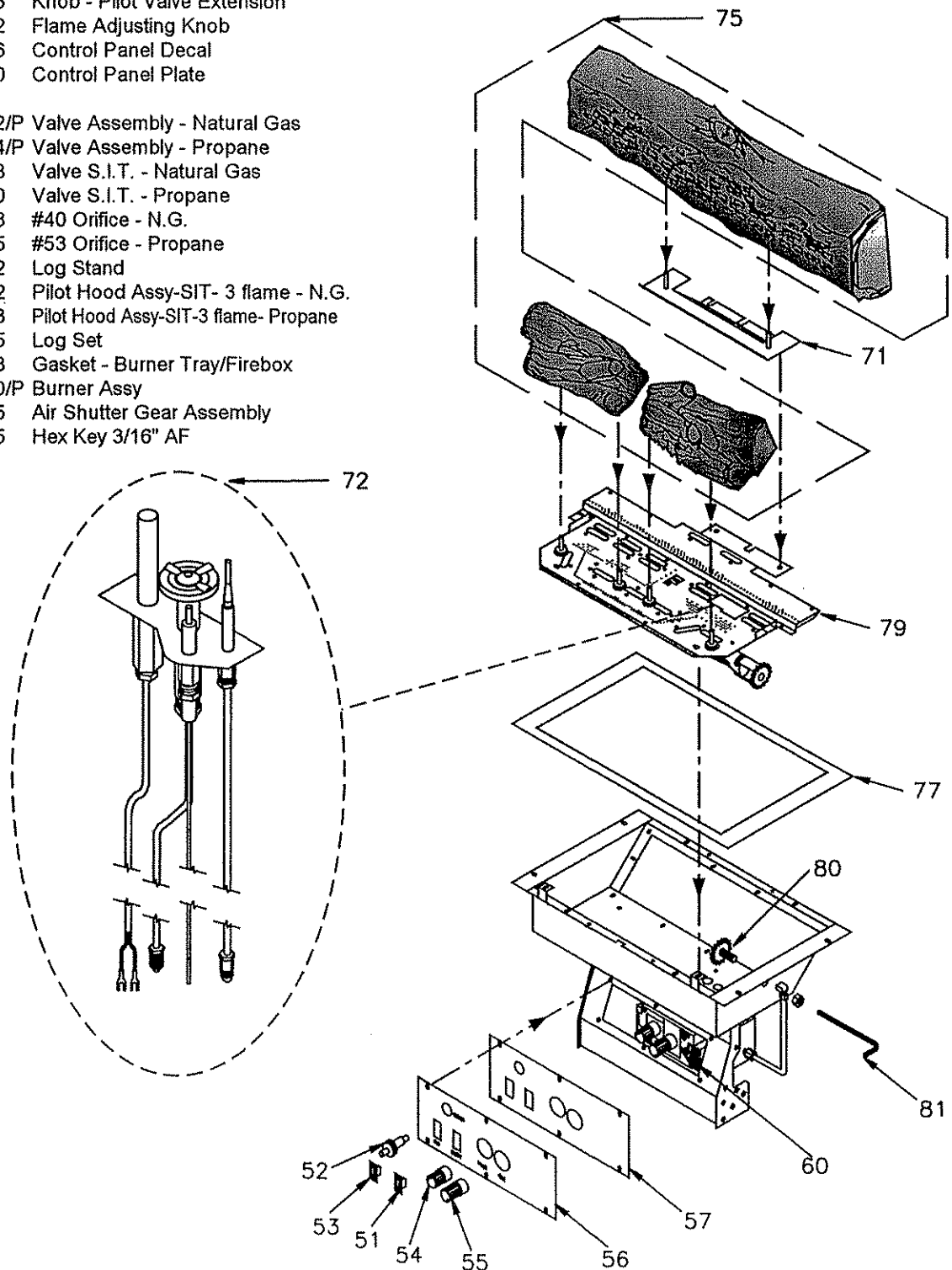
U45-2 DOOR ASSEMBLIES

Part #	Description
650-975	Gold Mitred Door - Complete
650-974	Black Mitred Door - Complete
650-972	Gold Wrap Door - Complete
650-970	Gold Panel Door - Complete
101) 650-920	Door Gasket Kit
105) 936-264	Ceramic Paper
106) 940-226/P	Side Glass
107) 936-243	Glass Gasket
108) 940-227/P	Mitred Centre Glass
111) 936-262	Door Frame Fibre Paper
112) 650-236	Door Glass Extrusion
208) 940-235/P	Wrap Glass
309) 940-225/P	Panel Centre Glass



U29-1 BURNER & LOG ASSEMBLY

Part #	Description
51)	910-241 Burner ON/OFF Switch (3-way)
52)	910-190 Piezo & Nut
53)	910-330 Fan Speed Control
54)	910-373 Knob - Pilot Valve Extension
55)	910-372 Flame Adjusting Knob
56)	908-646 Control Panel Decal
57)	650-220 Control Panel Plate
	630-522/P Valve Assembly - Natural Gas
	630-524/P Valve Assembly - Propane
60)	910-378 Valve S.I.T. - Natural Gas
	910-380 Valve S.I.T. - Propane
	904-593 #40 Orifice - N.G.
	904-345 #53 Orifice - Propane
71)	560-072 Log Stand
72)	910-022 Pilot Hood Assy-SIT- 3 flame - N.G.
	910-023 Pilot Hood Assy-SIT-3 flame- Propane
75)	560-935 Log Set
77)	630-008 Gasket - Burner Tray/Firebox
79)	651-580/P Burner Assy
80)	260-565 Air Shutter Gear Assembly
81)	904-565 Hex Key 3/16" AF





Regency Fireplace Products, are designed with reliability and simplicity in mind. In addition, our internal Quality Assurance Team carefully inspects each unit thoroughly before it leaves our door. Regency Industries Ltd. is pleased to extend this limited lifetime warranty to the original purchaser of a Regency Product.

The Warranty: Lifetime

Covered under the agreement are the following components: Combustion chamber, heat exchanger, burner tubes, logs, embers, glass (thermal breakage) and all gold plating (against defective manufacture).

The above will be covered for parts and labour for the first five years and parts only thereafter. Electrical components such as blowers, fan motor, switches, wiring, thermodiscs, remote control, thermopiles, thermocouples, pilot assemblies, and gas valves are covered for one year from the date of purchase.

Conditions:

All installations must be performed by a qualified gas fitter and installed according to all applicable local and national codes. Also, all service work must be carried out by a qualified gas service person. It is the responsibility of the installer to ensure that the appliance is firing as per rating plate. Any part or parts of this unit which in our judgement show evidence of such defect will be repaired or replaced at Regency's option, through an accredited distributor or agent provided that the defective part be returned to the distributor or agent Transportation Prepaid, if requested.

Exclusions:

This limited Lifetime Warranty does not extend to or include paint, door or glass gasketing or trim. It does not cover installation and operational related problems such as over-firing, downdrafts or spillage caused by environmental conditions, nearby trees, buildings, hilltops, mountains, inadequate venting or ventilation, excessive offsets, negative air pressures caused by insufficient make up air, mechanical systems such as furnaces, fans, clothes dryers etc. The warranty does not extend to any part or parts which show evidence of misuse or abuse, neglect, accident or lack of maintenance.

Products made by other manufacturers and used in conjunction with the operation of this appliance without authorization from Regency, may nullify your warranty on this product.

Regency Industries Ltd., shall in no event be liable for any special, indirect consequential damages of any nature whatsoever which are in excess of the original purchase price of the product. Any alteration to the unit which causes sooting or carboning that results in damage to the exterior facia is not the responsibility of Regency Industries Ltd.

Note: Warranty is not transferable.

Vent Components:

The venting components are under warranty from Simpson DuraVent Inc.

General:

It is essential that all submitted claims provide all of the necessary information including purchase date, serial #, type of unit and part or parts requested.

Free Manuals Download Website

<http://myh66.com>

<http://usermanuals.us>

<http://www.somanuals.com>

<http://www.4manuals.cc>

<http://www.manual-lib.com>

<http://www.404manual.com>

<http://www.luxmanual.com>

<http://aubethermostatmanual.com>

Golf course search by state

<http://golfingnear.com>

Email search by domain

<http://emailbydomain.com>

Auto manuals search

<http://auto.somanuals.com>

TV manuals search

<http://tv.somanuals.com>