

Rubbermaid®

5L30

Congratulations and thank you for purchasing a Rubbermaid storage building.

BEFORE YOU BEGIN – BUILDING CODES

Be sure to check your local building codes, ordinances and restrictions, and applicable neighborhood governances.

BEFORE YOU BEGIN – SURFACE PREPARATION

To ensure proper assembly and performance your shed needs to be built on a solid, level surface. A concrete or patio surface, or a treated-wood platform is recommended.

BEFORE YOU BEGIN – LOCATION

When choosing a location in your yard make sure you choose an area with easy access and one that provides proper drainage for water to run away from the shed location.

BEFORE YOU BEGIN – PREASSEMBLY

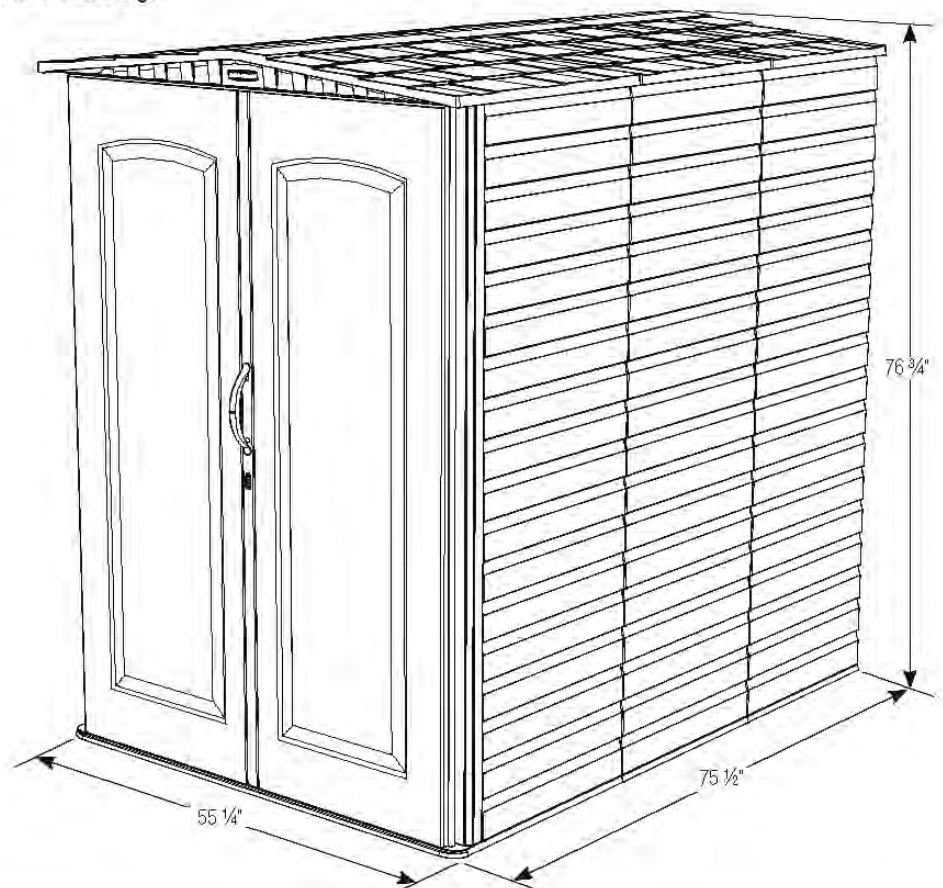
Thoroughly review all assembly steps (it is important that the steps are followed in the correct order). Review the parts list and make sure that no parts are missing.

IMPORTANT – DO NOT RETURN TO THE STORE

For assistance with your Rubbermaid Storage Building or for additional product information call our toll-free Consumer Service number:

1-888-895-2110

M–F: 8:30 a.m. to 5:00 p.m. EST
or visit us online at:
www.rubbermaid.com.

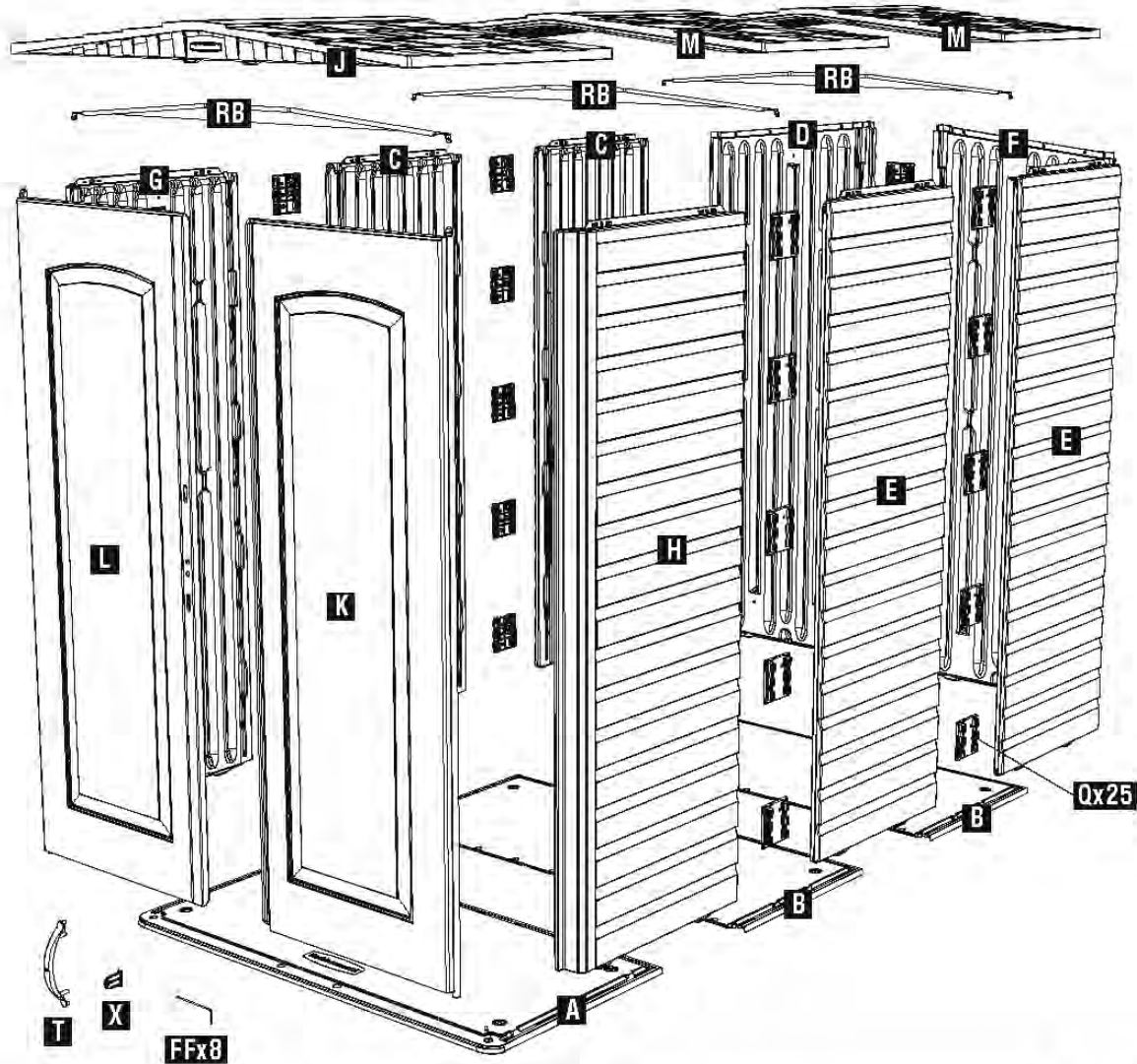


Installation Steps:

- 1. Site Preparation**
- 2. Floor**
- 3. Walls**
- 4. Roof & Doors**
- 5. Finishing**

Note: Be sure to keep this instruction manual and your original store receipt to ensure our Consumer Service Department can accurately and quickly assist you if necessary.

PO-5L30-PO

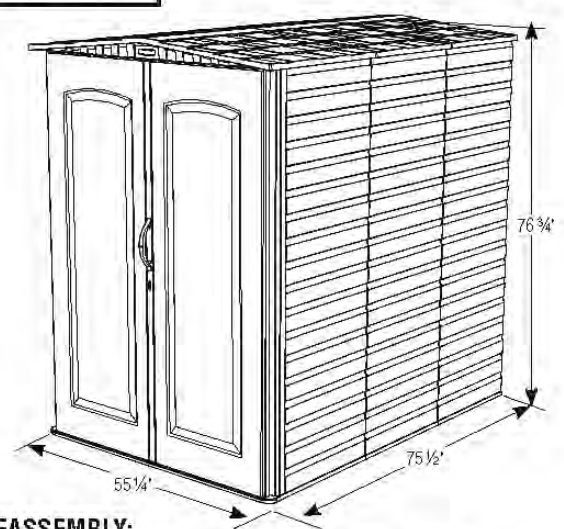


	Description	Part Number	Assembly Letter	Quantity
Floor	Front Floor	5L01	A	1
	Repeat Floor	5L11	B	2
Walls	Repeat Left Side	5L12	C	2
	Left Back	5L04	D	1
	Repeat Right Side	5L13	E	2
	Right Back	5L05	F	1
	Front Left Side	5L02	G	1
	Front Right Side	5L03	H	1
	Wall Connector	5H75	Q	25
Doors	Left Door	5L06	L	1
	Right Door	5L07	K	1
	Door Handle	5L74	T	1
	Lock Hasp	5F58	X	1
Roof	Front Roof	5L08	J	1
	Repeat Roof	5L14	M	2
	Roof Brace	5L36	RB	3
Hardware	#14 x 3/4" Combo Pan Head Screw		AA	60*
	Roof Pin	NP 5J22	FF	8
	Roof Pin Assembly Tool	M3 5J22	GG	1
	Accessory Bracket	5H88		12

- Required Tools**
- Safety Glasses
 - Gloves
 - Utility Knife
 - Rubber Mallet
 - Phillips Screwdriver
 - Phillips Bit
 - 1/8" Drill Bit
 - Drill
 - Liquid Soap
 - (2) Step Stools/ Stepladders

Two Person Assembly

5L30



PREASSEMBLY:

- Review ALL assembly steps before beginning construction.
- Review the parts list and make sure that no parts are missing.

NOTE:

- To simplify assembly and to ensure proper engagement of all components, apply a mild detergent to dovetail and snap fits before assembling.

* Extra screws are supplied.

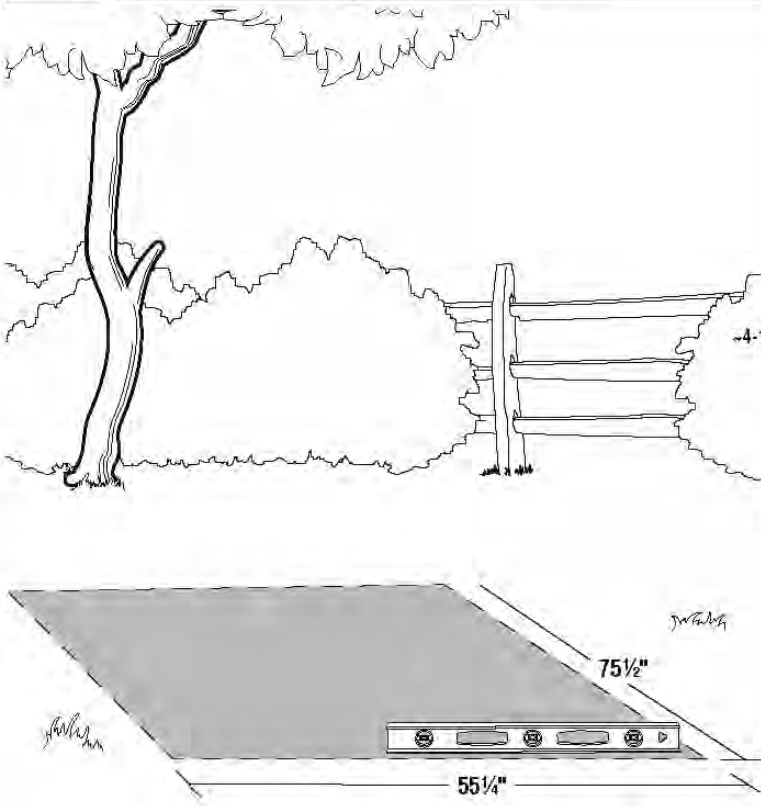
CAUTIONS

- CAUTION:** Always use gloves when using a utility knife.
- CAUTION:** Always use eye protection/safety glasses during assembly.
- CAUTION:** When installing screws, do not overtighten.
- CAUTION:** Drill only through initial panel wall, unless otherwise indicated.

CARE & USE

- Shed can be cleaned with water and mild detergent as necessary. **DO NOT USE ABRASIVE DETERGENTS, MATERIALS OR CLEANING TOOLS.**
- To maximize your shed's performance, remove excessive snow and/or leaf accumulation from the roof.
- In the event of severe weather, please disassemble and store in a secure location.

1.0 Site Preparation



Build a solid, level surface for the shed foundation. Consult your local building authority for ordinances, restrictions, or permits required before building any structure at your home.

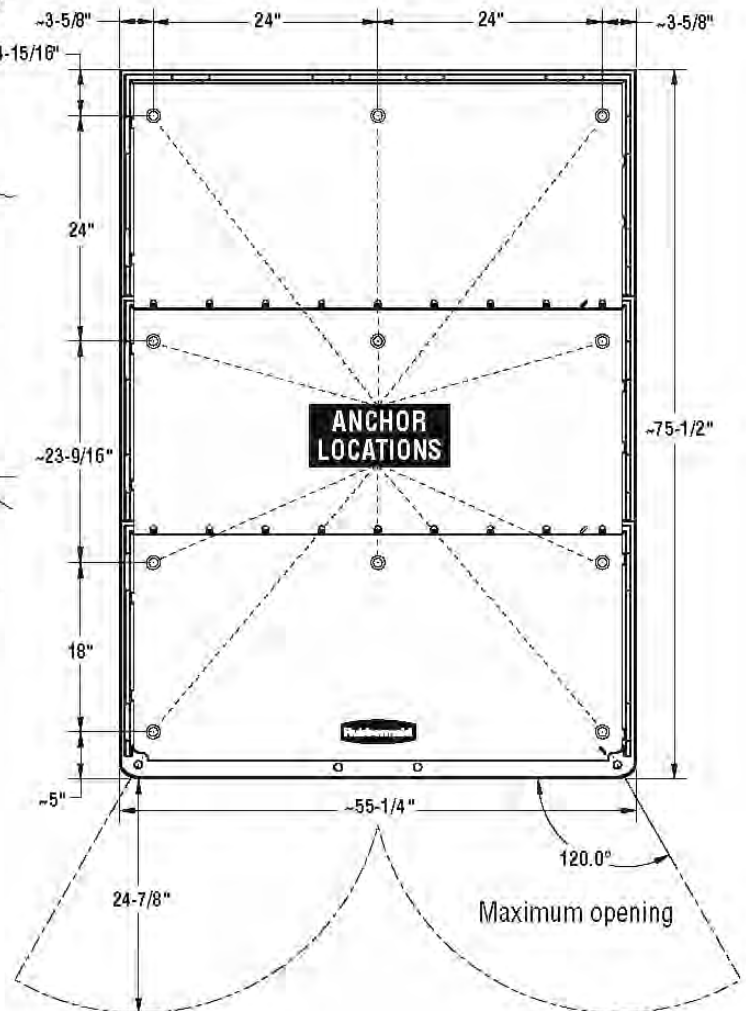
Note: Minimum dimensions for foundations shown.

FLOOR PLAN:

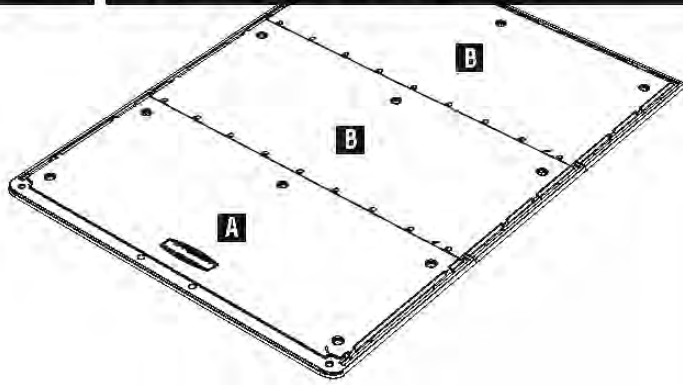
Size the construction site to fit the entire floor.

OPTIONAL STEP:

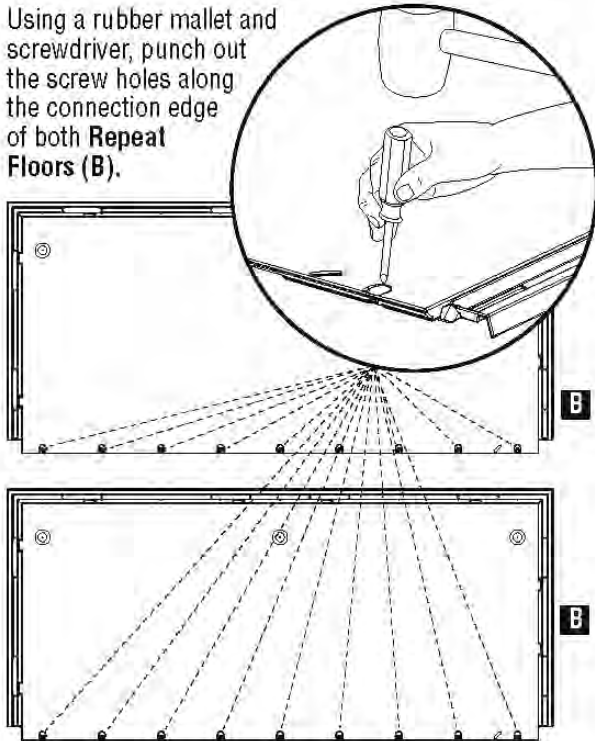
If desired, recessed anchor locations (11 places) can be used to anchor the shed floor to a foundation after you have constructed one.



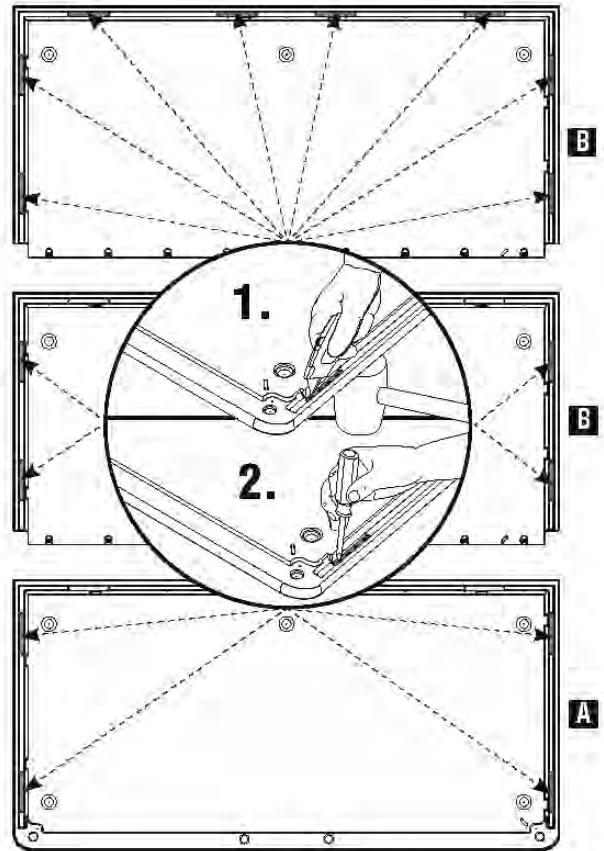
2.0 Floor Installation



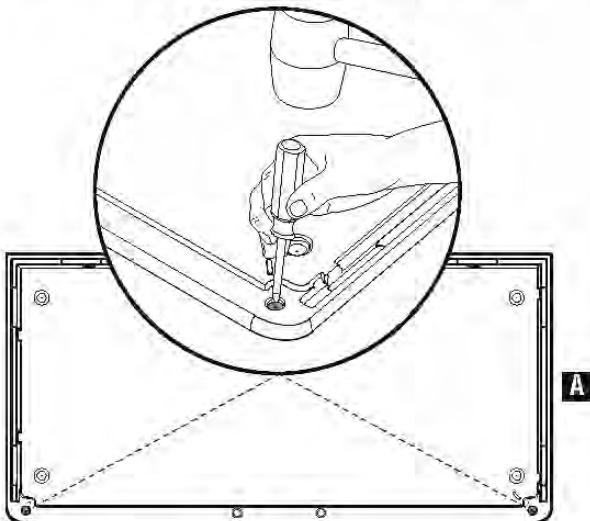
- a.** Using a rubber mallet and screwdriver, punch out the screw holes along the connection edge of both Repeat Floors (B).



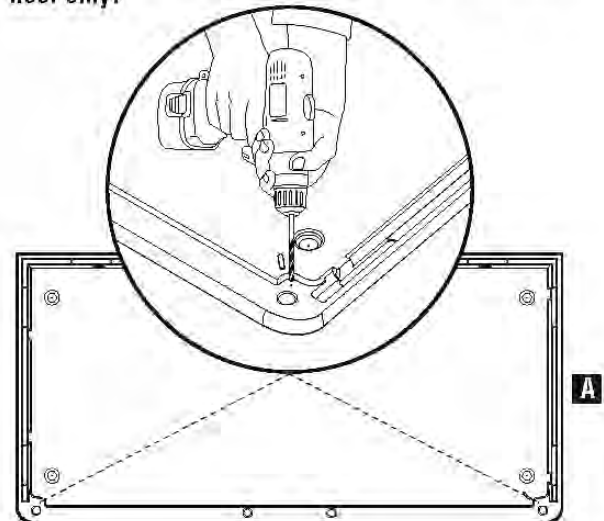
- b.** Using a utility knife, cut the long side of each wall slot tab and then use a rubber mallet and screwdriver to knock it out:
- 4 places on Front Floor (A)
 - 4 places on Repeat Floor (B): middle location
 - 8 places on Repeat Floor (B): rear location



- c.** Using a rubber mallet and screwdriver, knock out the tabs for the door hinge, 2 places on Front Floor (A).



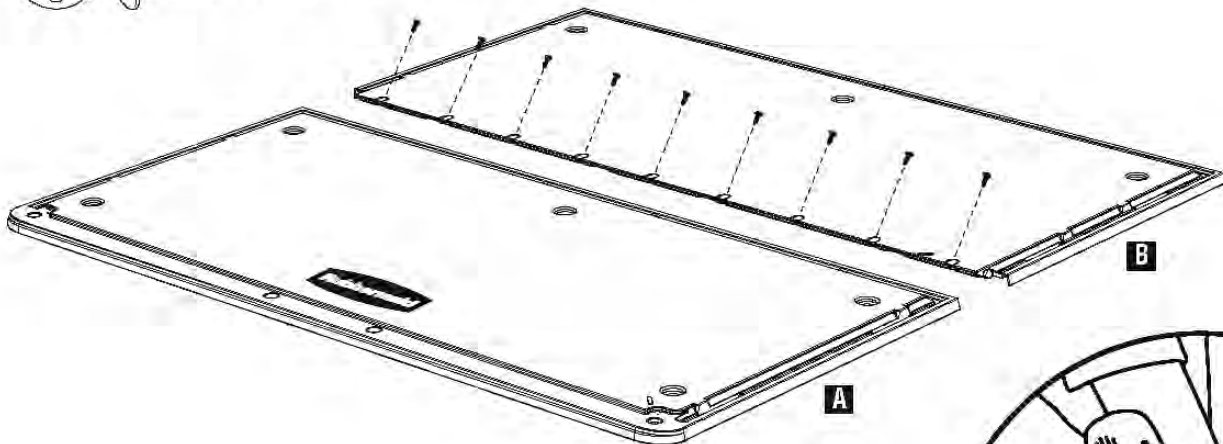
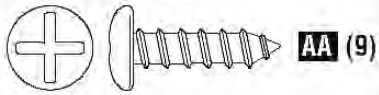
- d.** Drill pilot hole through top surface of floor, 2 places on Front Floor (A). **CAUTION: Drill through top surface of floor only!**



2.1 Floor Installation

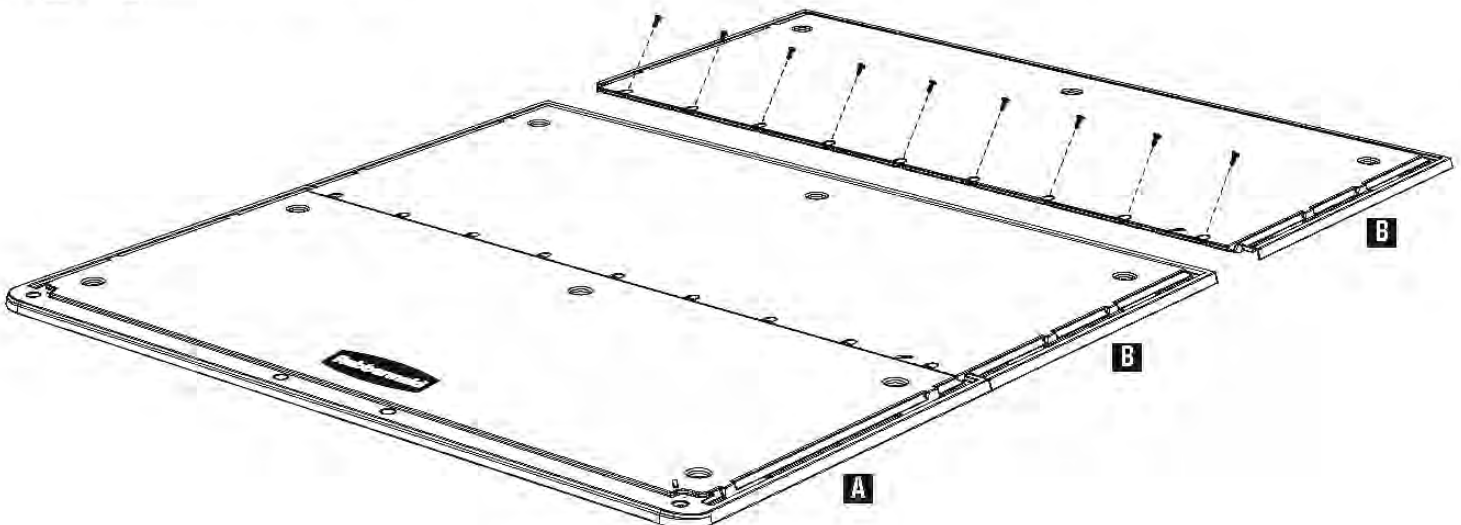
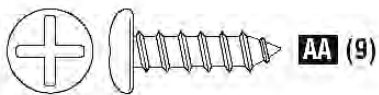
- a.** Connect and align middle position Repeat Floor (B) to Front Floor (A) and install Screws (AA) 9 places; keep panels aligned and even while installing screws.

HELPFUL HINT: Pilot holes may be drilled for the screws using a 1/8" drill bit.
CAUTION: Do not overtighten screws.

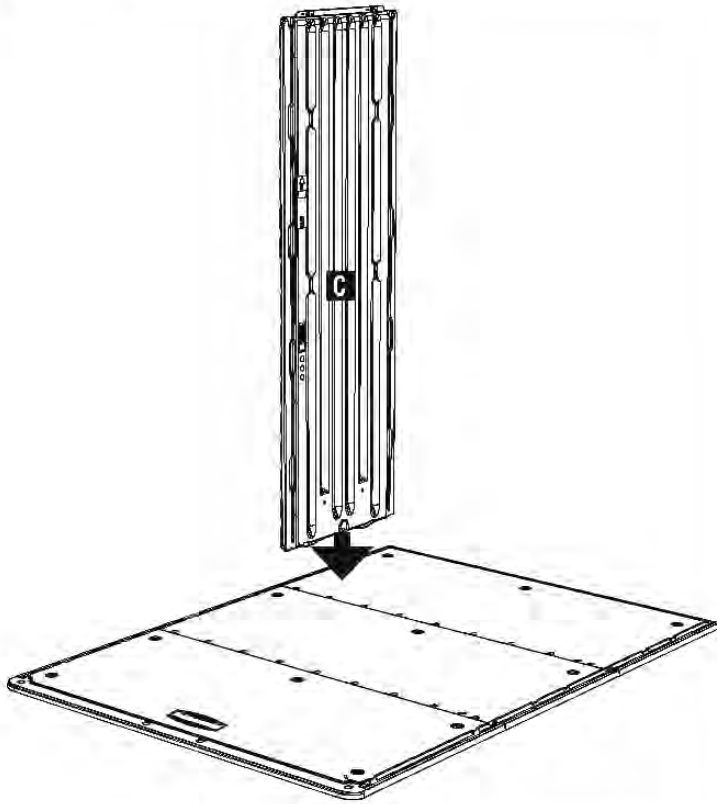


- b.** Connect and align back position Repeat Floor (B) to middle position Repeat Floor (B) and install Screws (AA) 9 places; keep panels aligned and even while installing screws.

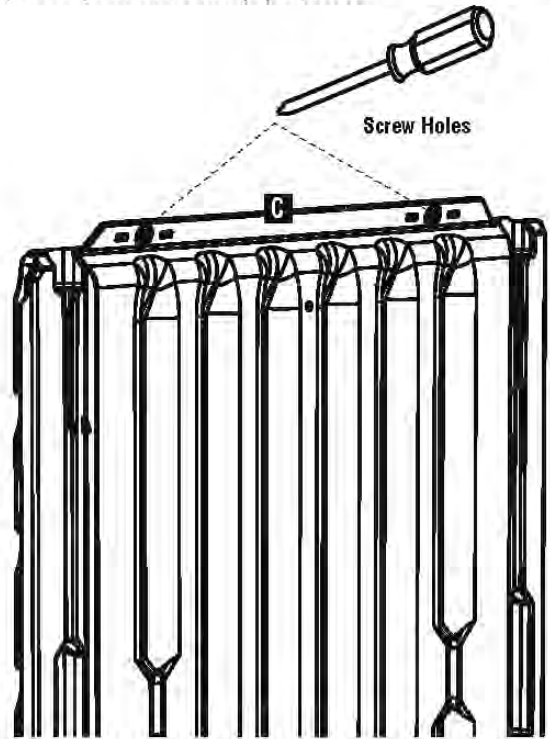
HELPFUL HINT: Pilot holes may be drilled for the screws using a 1/8" drill bit.
CAUTION: Do not overtighten screws.



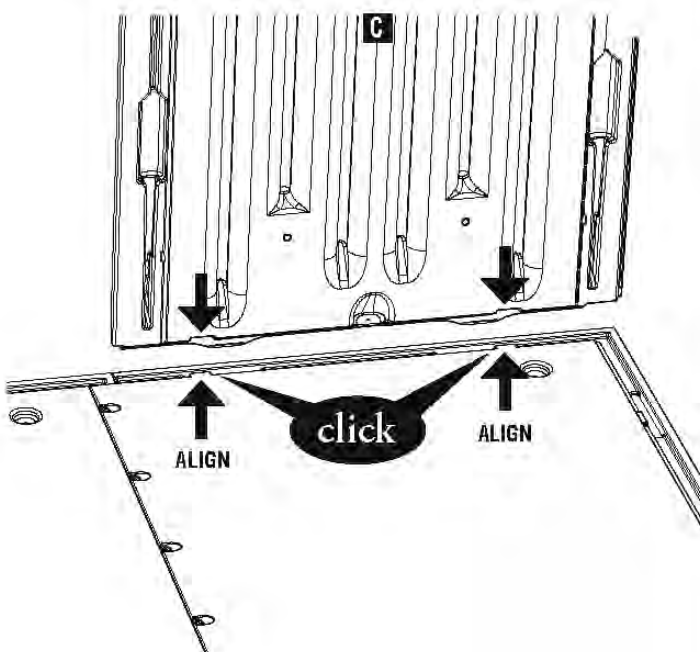
3.0 Wall Panel C Installation



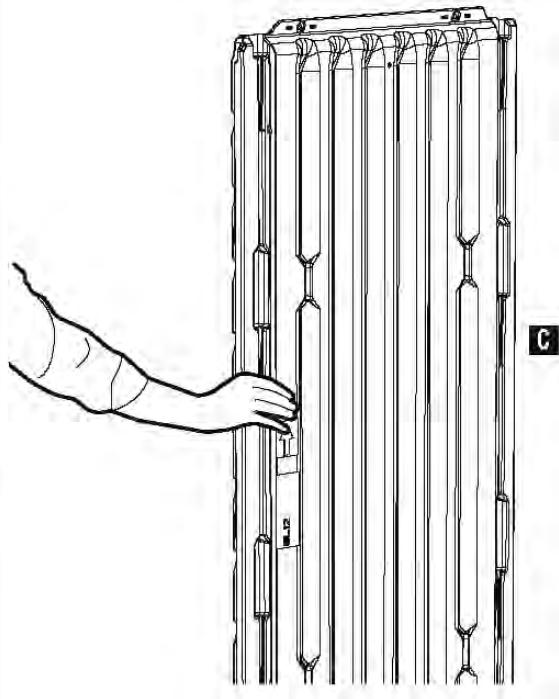
- a.** Using a screwdriver, punch out the screw holes on the top of Repeat Left Side (C) 2 places.



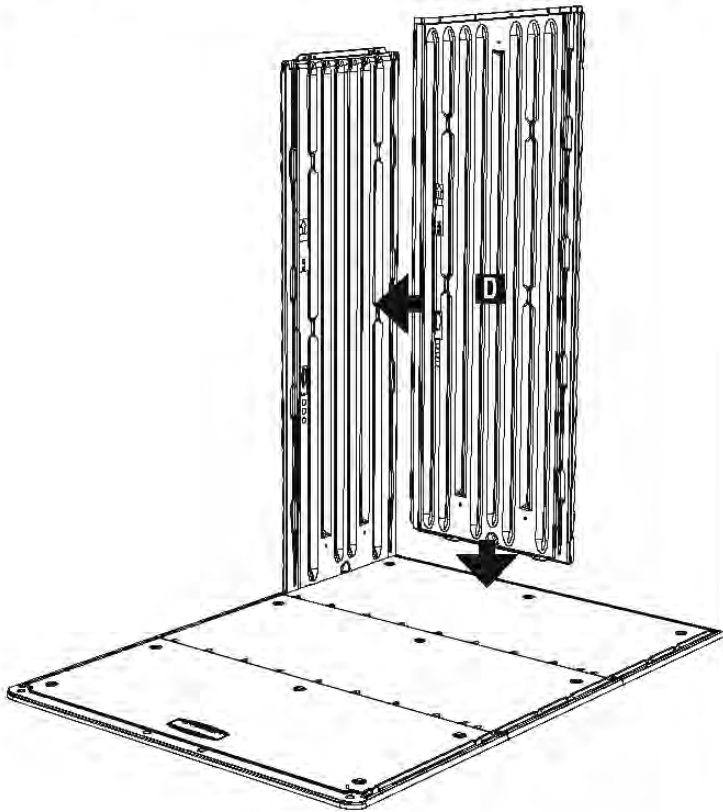
- b.** Snap Repeat Left Side (C) into the back position Repeat Floor (B).



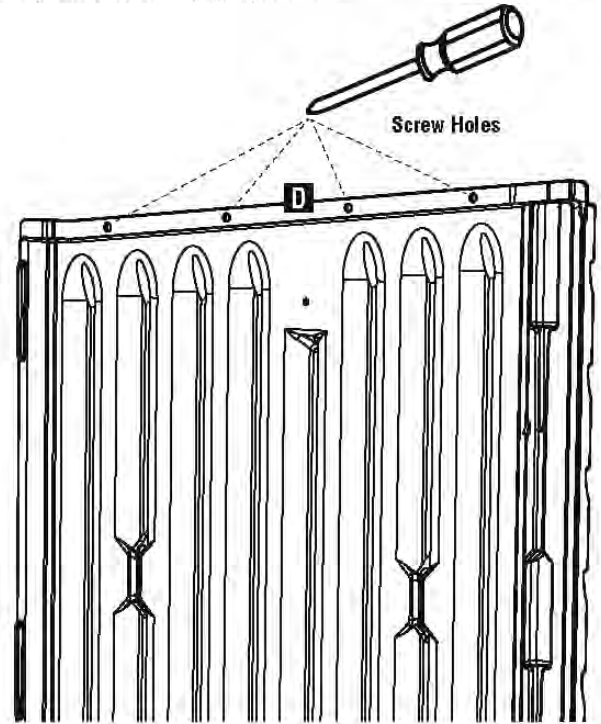
- c.** Hold Repeat Left Side (C) upright to prevent it from falling (until Left Back (D) is installed).



3.1 Wall Panel D Installation

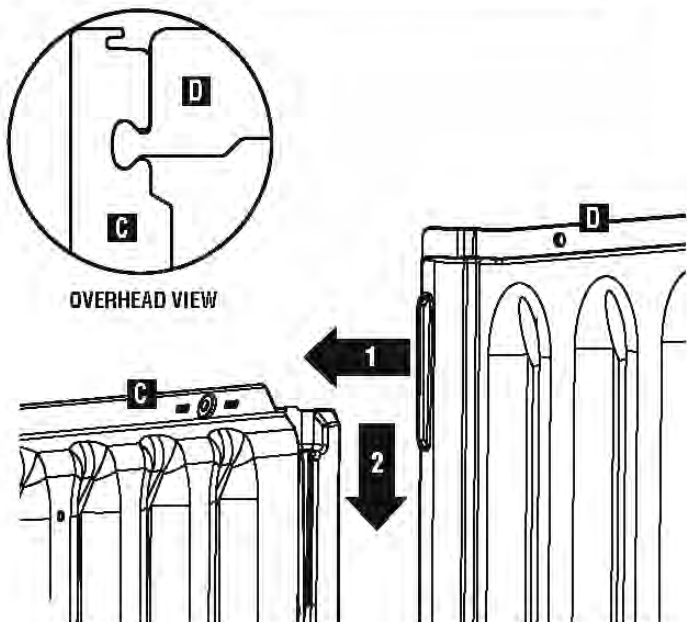


a. Using a screwdriver, punch out the screw holes on the top of **Left Back (D)** 4 places.

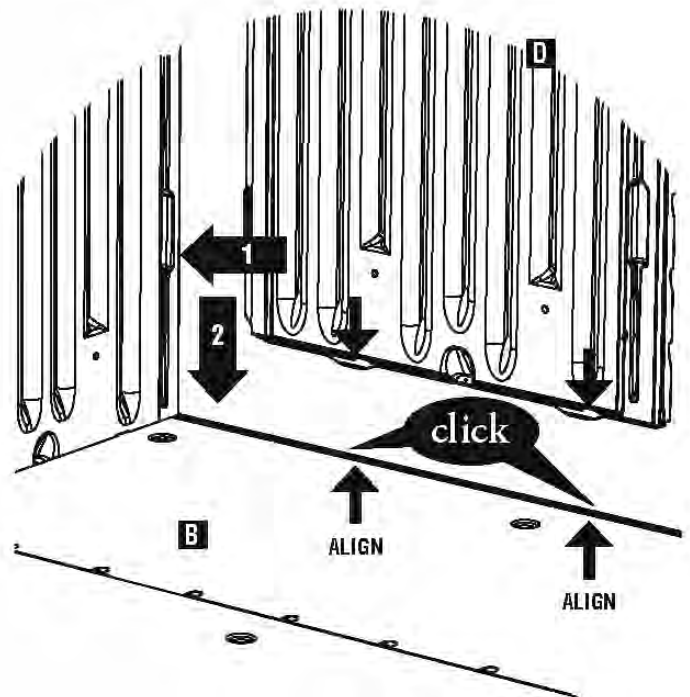


b. Connect **Left Back (D)** into dovetails of **Repeat Left Side (C)**.

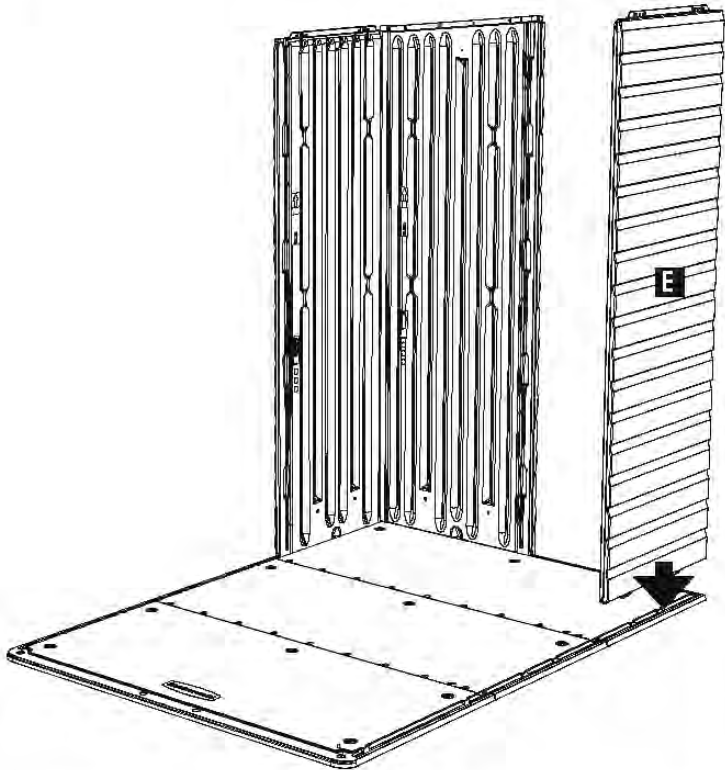
HELPFUL HINT: Lubricate dovetails with liquid soap.



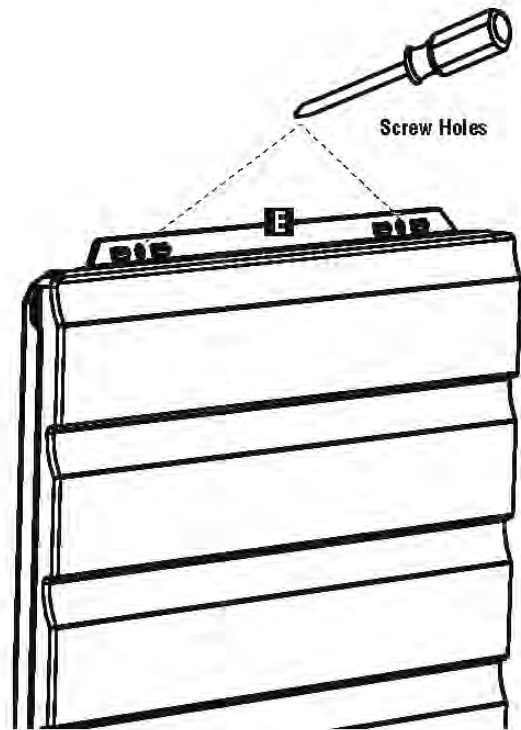
c. Engage snaps on bottom of **Left Back (D)** into **Repeat Floor (B)**.



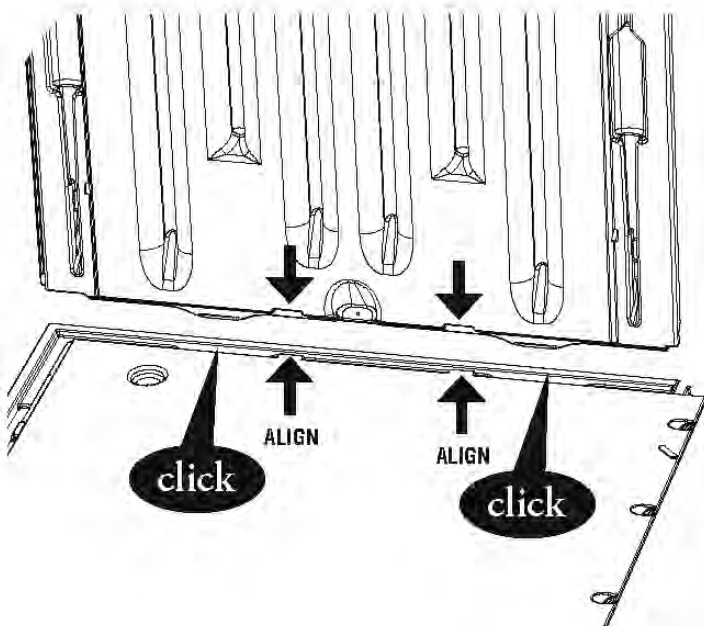
3.2 Wall Panel E Installation



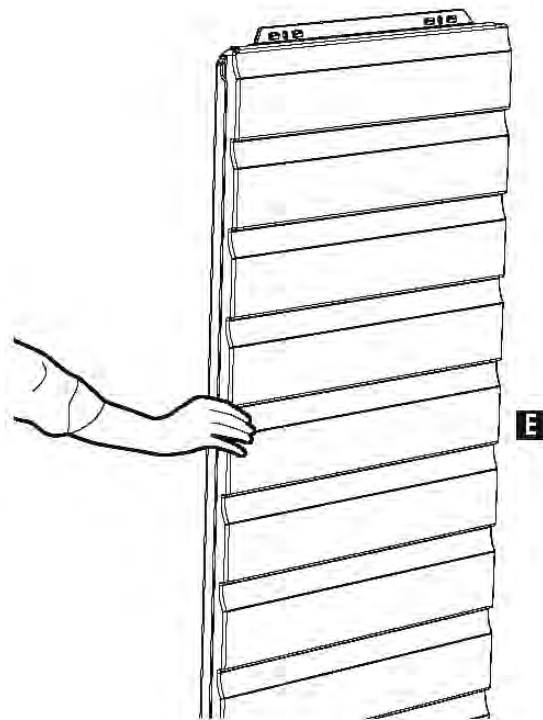
- a.** Using a screwdriver, punch out the screw holes on the top of Repeat Right Side (E) 2 places.



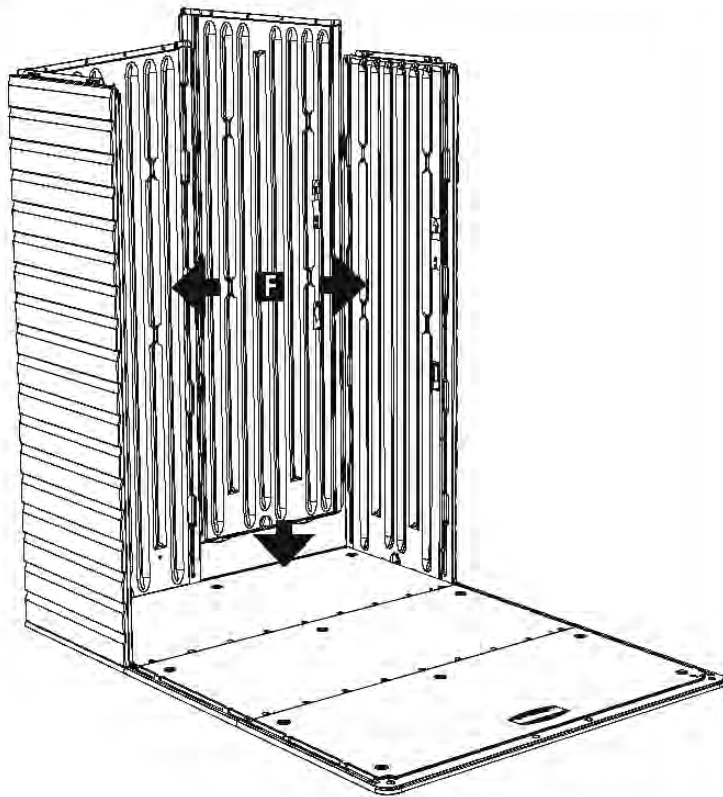
- b.** Snap Repeat Right Side (E) into the back position of Repeat Floor (B).



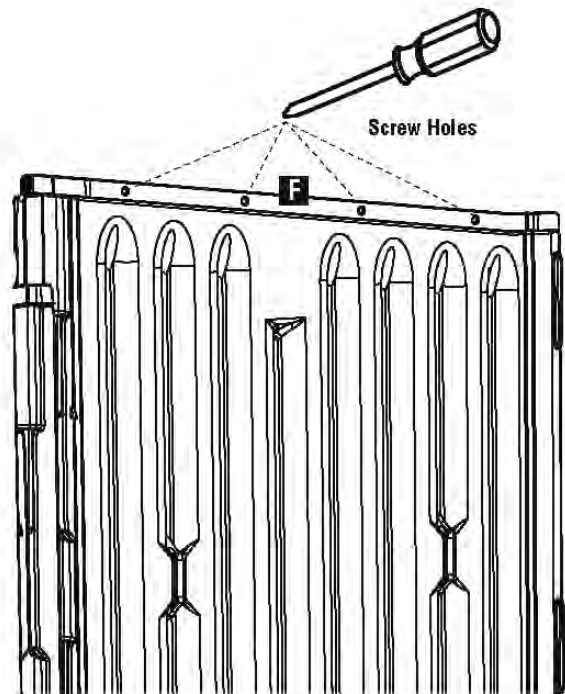
- c.** Hold Repeat Right Side (E) upright to prevent it from falling (until Right Back (F) is installed).



3.3 Wall Panel F Installation

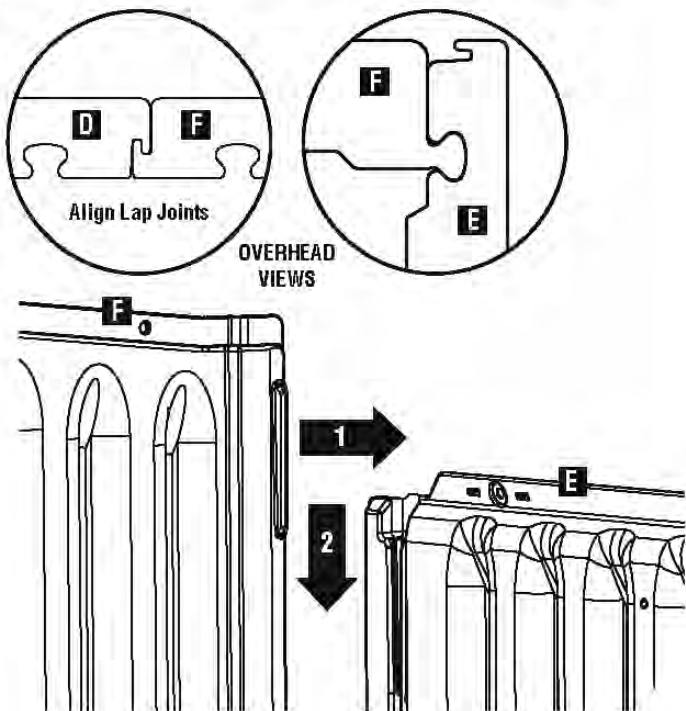


- a.** Using a screwdriver, punch out the screw holes on the top of **Right Back (F)** 4 places.

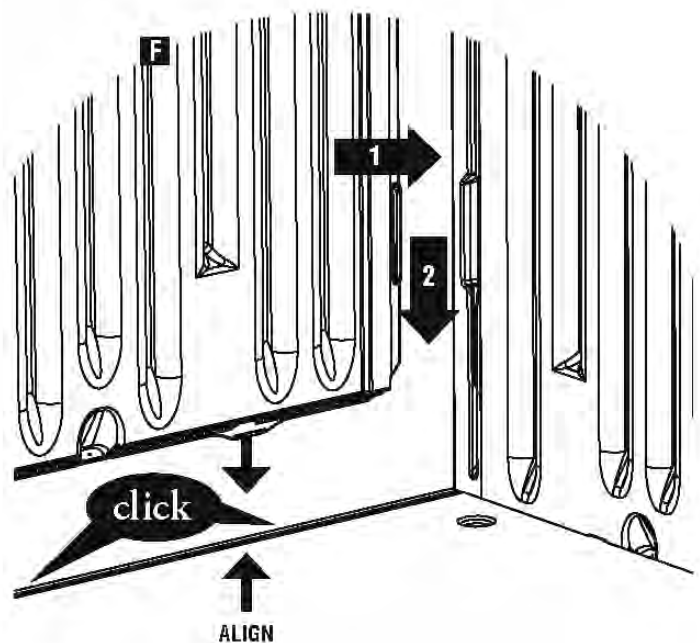


- b.** Connect **Right Back (F)** onto dovetails of **Repeat Right Side (E)**.
Align the lap joint between **Left Back (D)** and **Right Back (F)**.

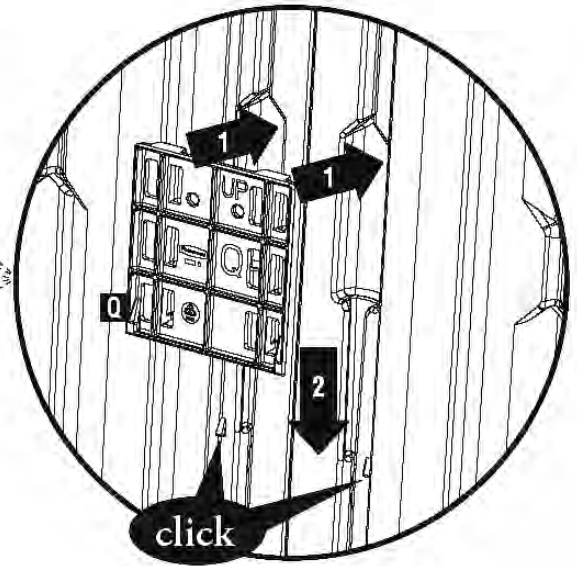
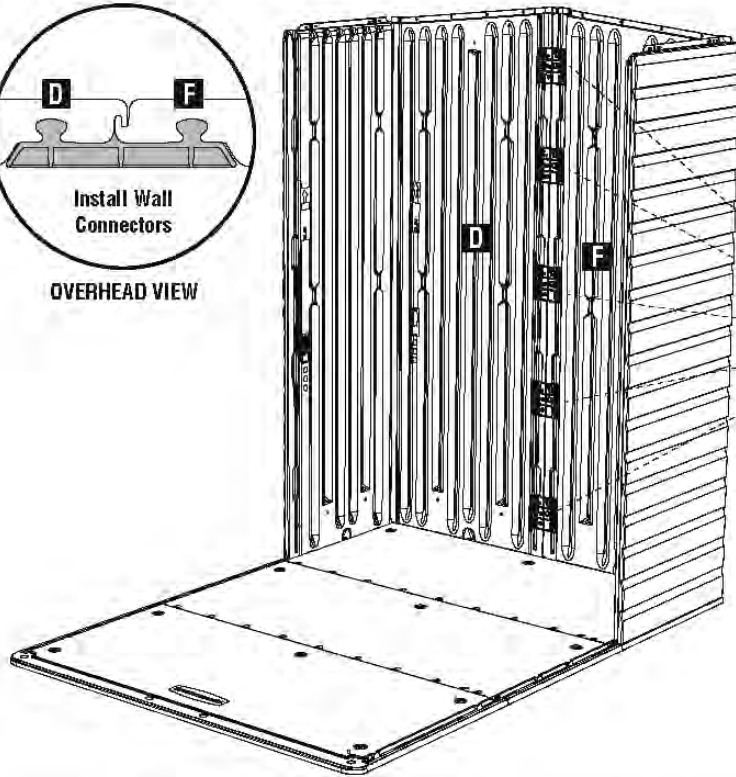
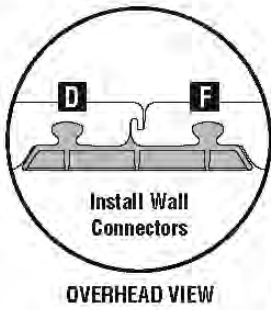
HELPFUL HINT: Lubricate dovetails with liquid soap.



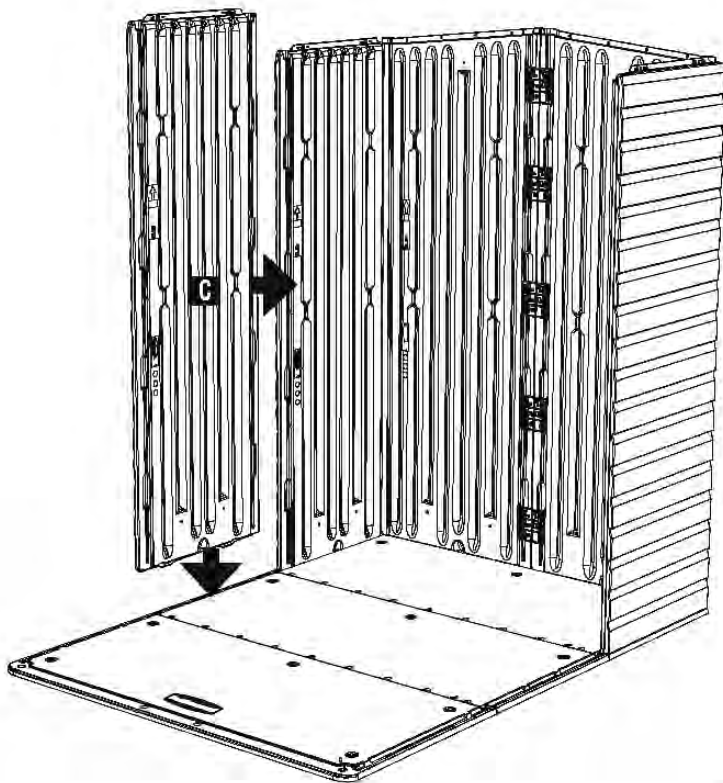
- c.** Engage snaps on bottom of **Right Back (F)** into **Repeat Floor (B)**.



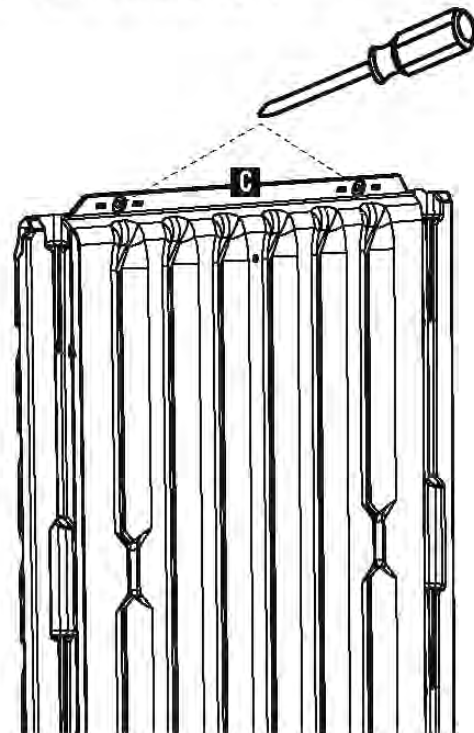
- d.** Install **Wall Connector (Q)** 5 places, connecting **Left Back and Right Back Panels (D and F)**. Position connectors in slots and slide down to snap in place.



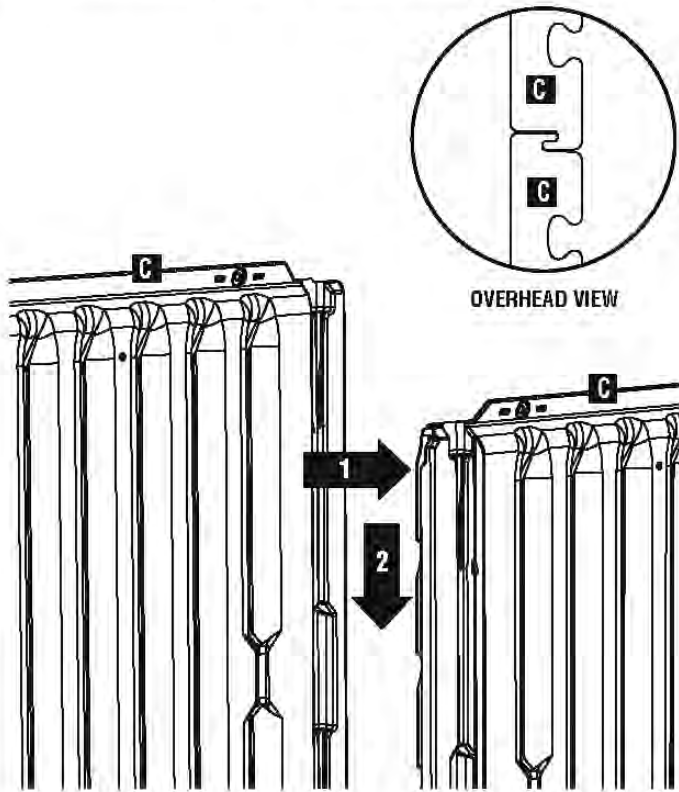
3.4 Wall Panel C (Repeat Left Side) Installation



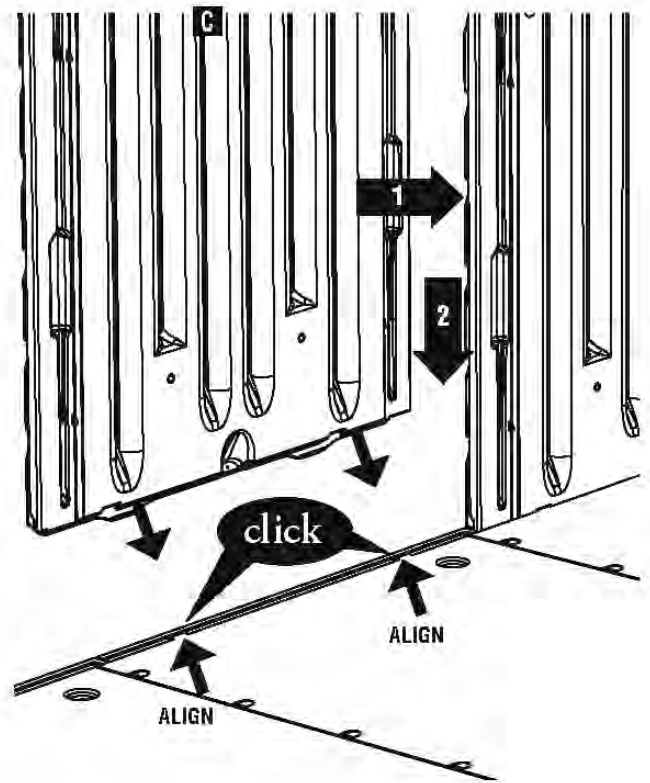
- a.** Using a screwdriver, punch out the screw holes on the top of **Repeat Left Side (C)** 2 places.



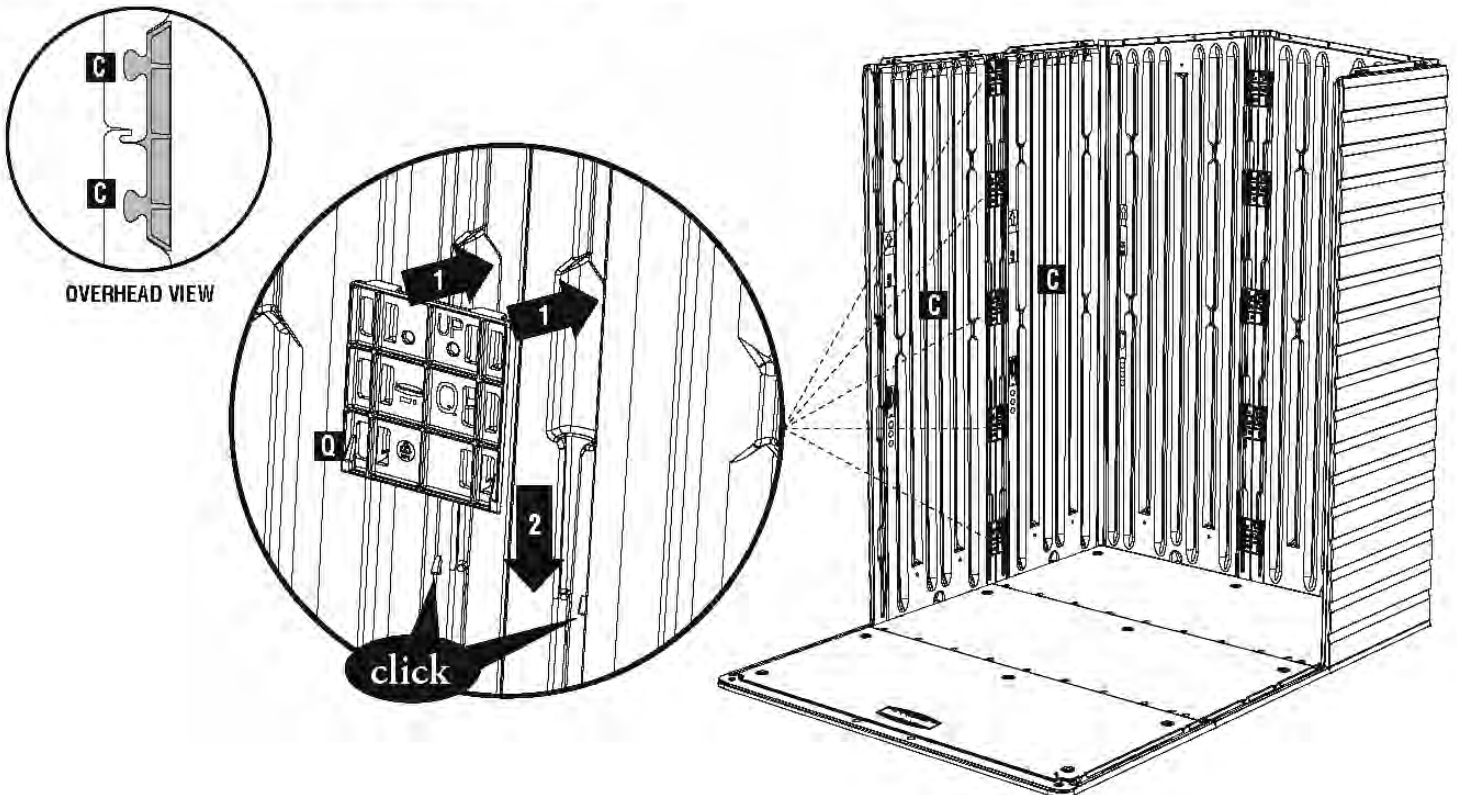
- b.** Align the lap joint between back position Repeat Left Side (C) and middle position Repeat Left Side (C).



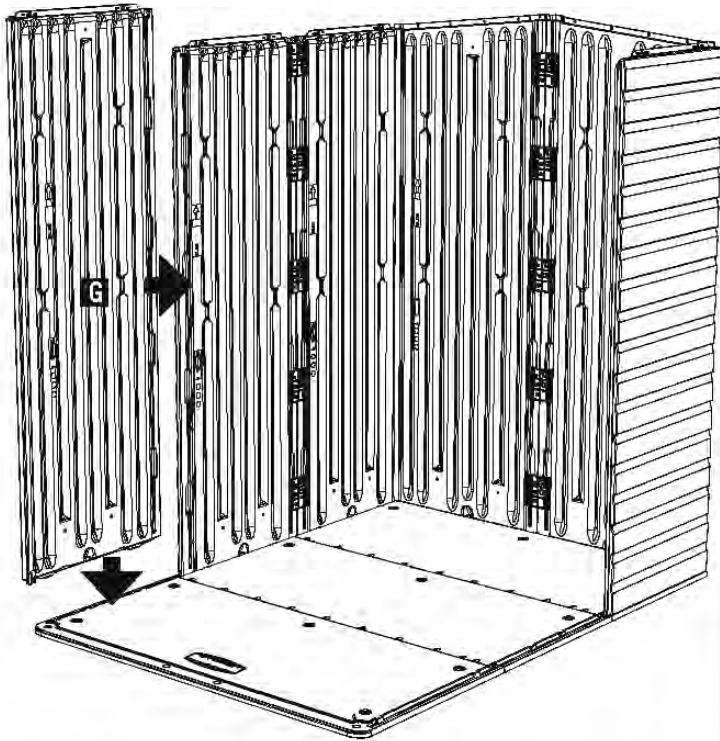
- c.** Snap middle position Repeat Left Side (C) into the middle position Repeat Floor (B).



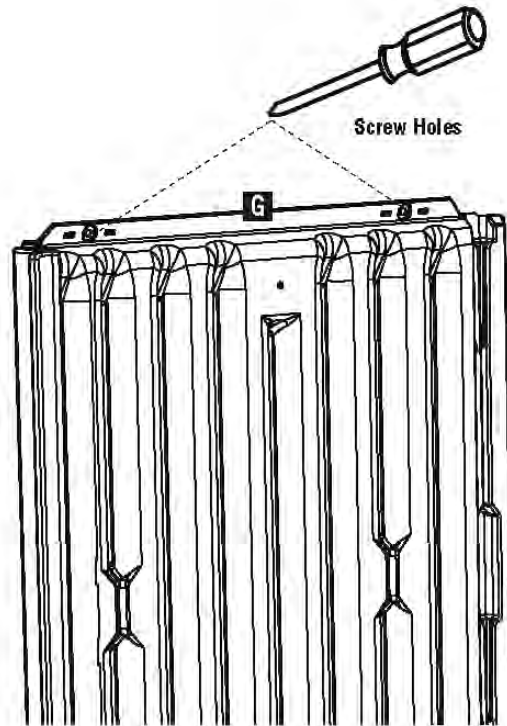
- d.** Install Wall Connector (Q) 5 places, connecting 2 Repeat Left Sides (C and C). Position connectors in slots and slide down to snap in place.



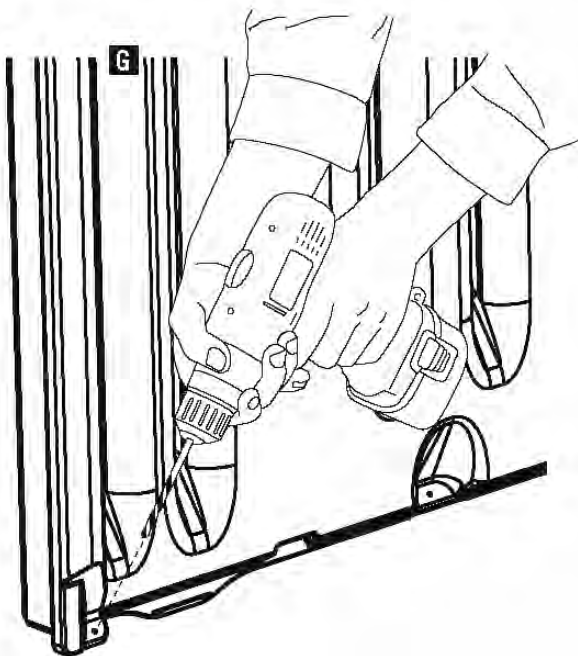
3.5 Wall Panel G Installation



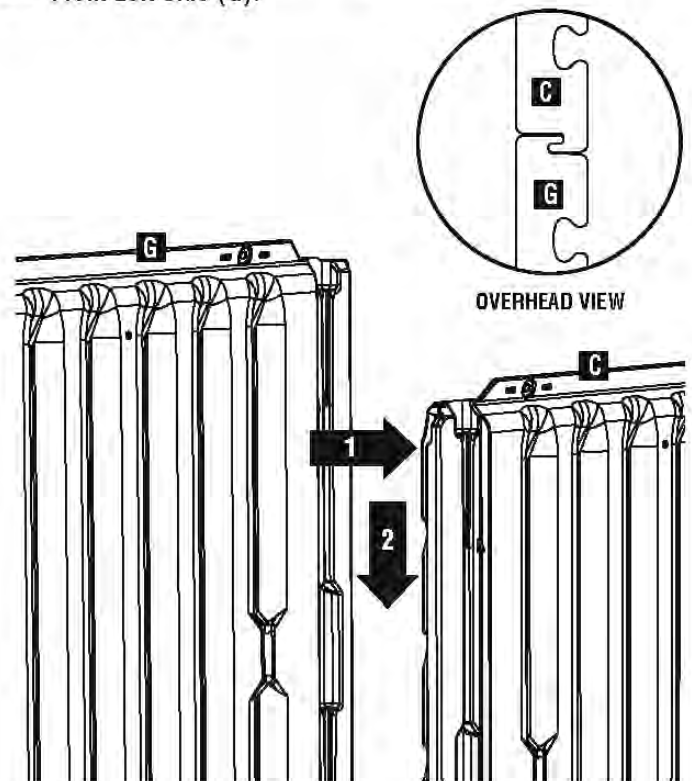
- a.** Using a screwdriver, punch out the screw holes on the top of Front Left Side (G) 2 places.



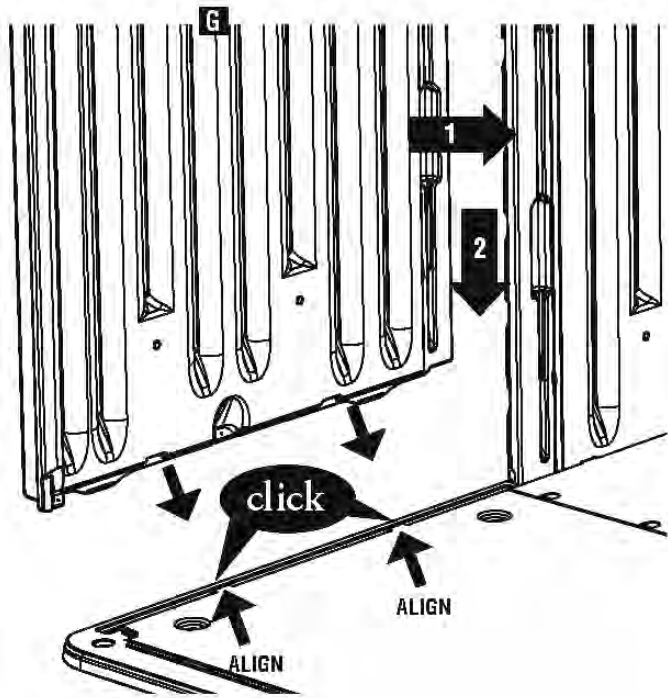
- b.** Drill a pilot hole (using 1/8" drill bit) in front lower corner at location indicated by screw target.
Note: This pilot hole is to be drilled through both walls.



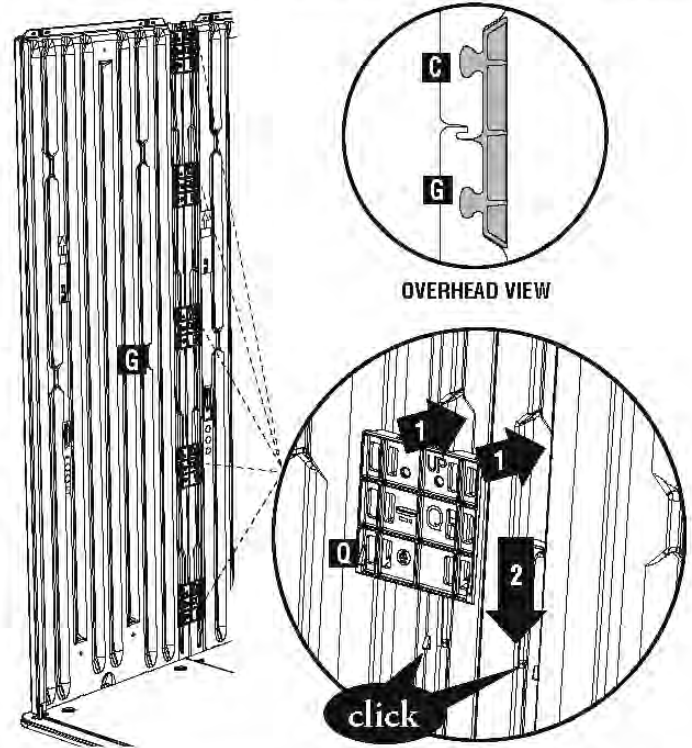
- c.** Align the lap joint between Repeat Left Side (C) and Front Left Side (G).



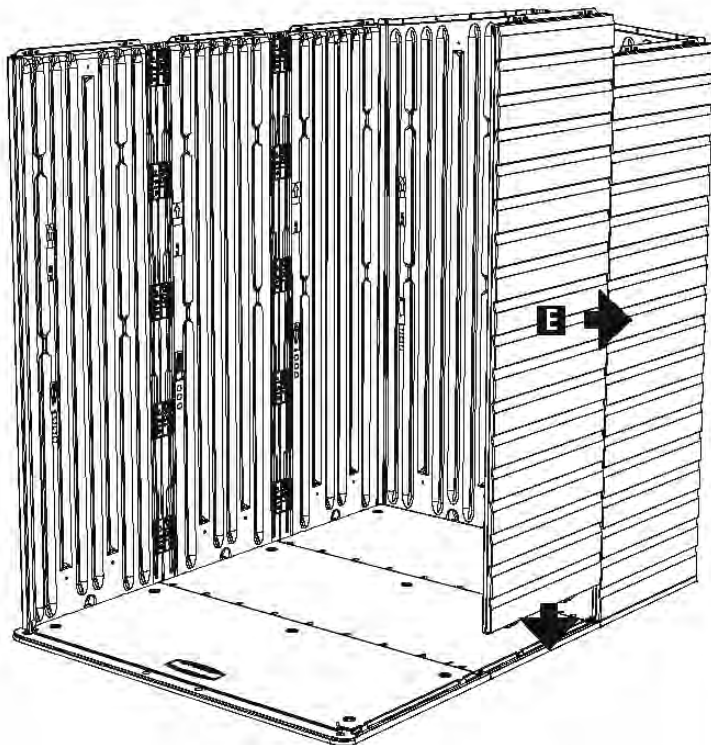
d. Snap Front Left Side (G) into Front Floor (A).



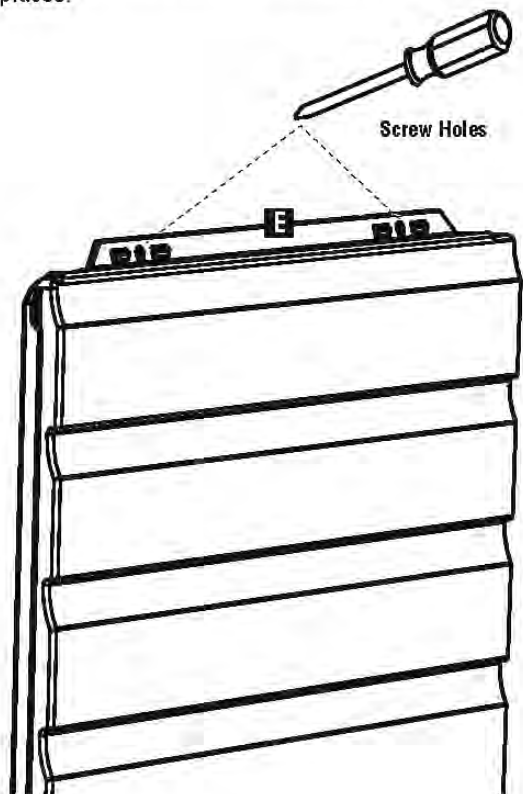
e. Install Wall Connector (Q) 5 places, connecting Repeat Left Side (C) and Front Left Side (G). Position connectors in slots and slide down to snap in place.



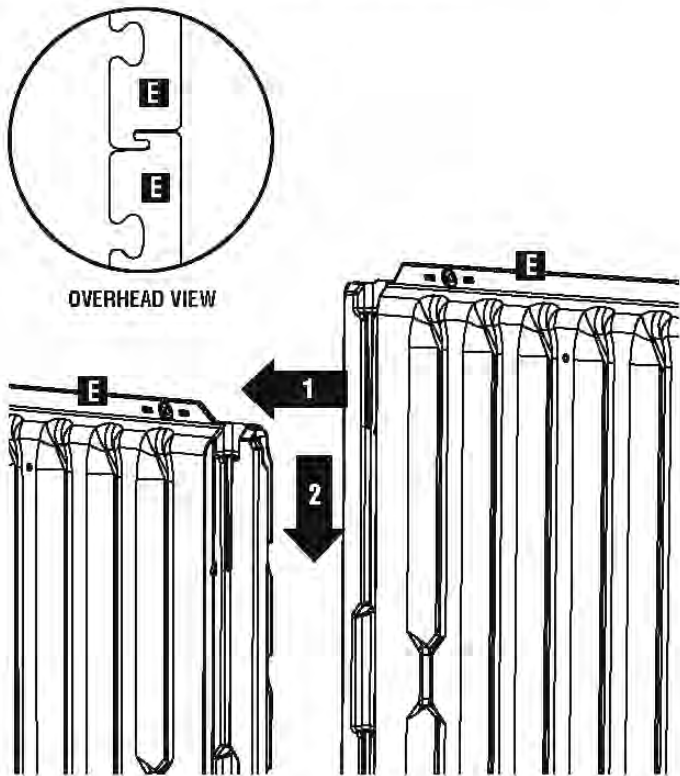
3.6 Wall Panel E (Repeat Right Side) Installation



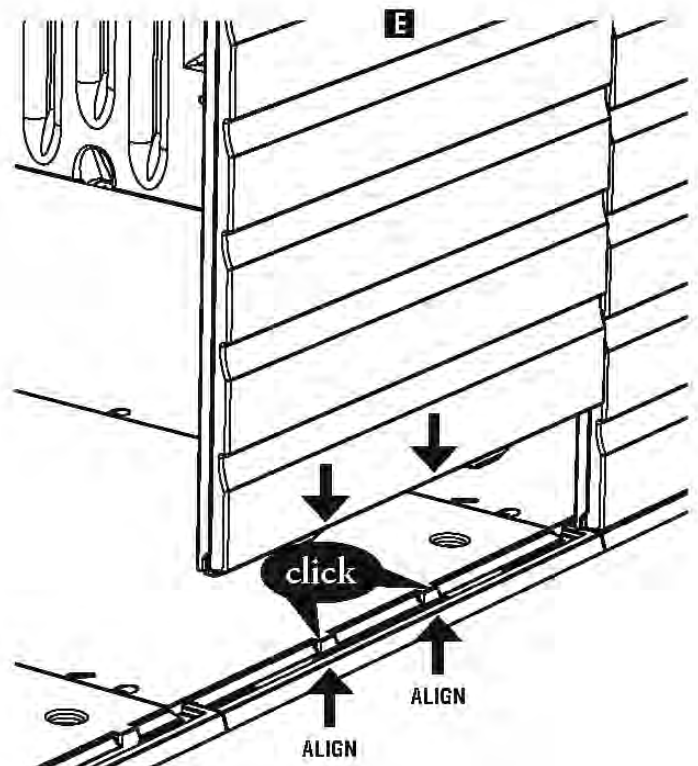
a. Using a screwdriver, punch out the screw holes on the top of the middle position Repeat Right Side (E) 2 places.



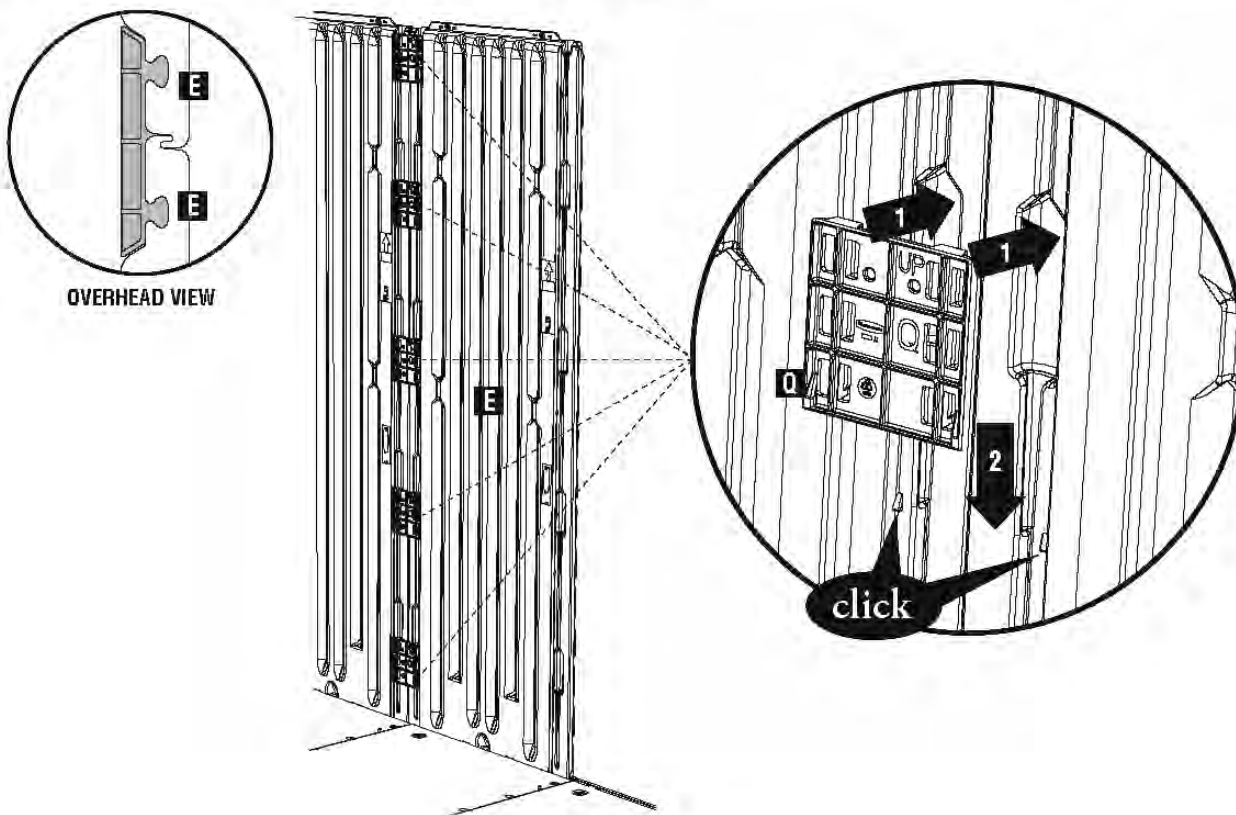
- b.** Align the lap joint between Repeat Right Side (E) and middle position Repeat Right Side (E).



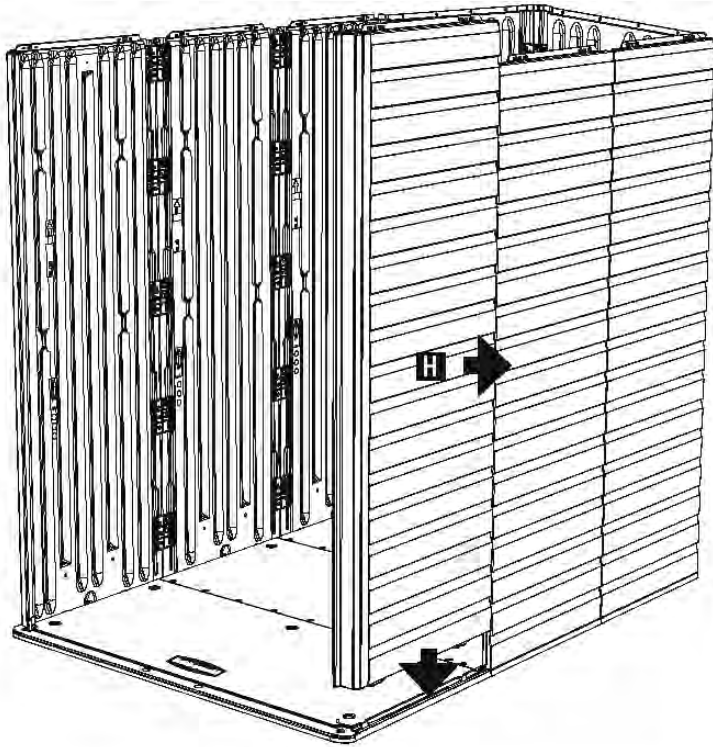
- c.** Snap middle position Repeat Right Side (E) into the middle position Repeat Floor (B).



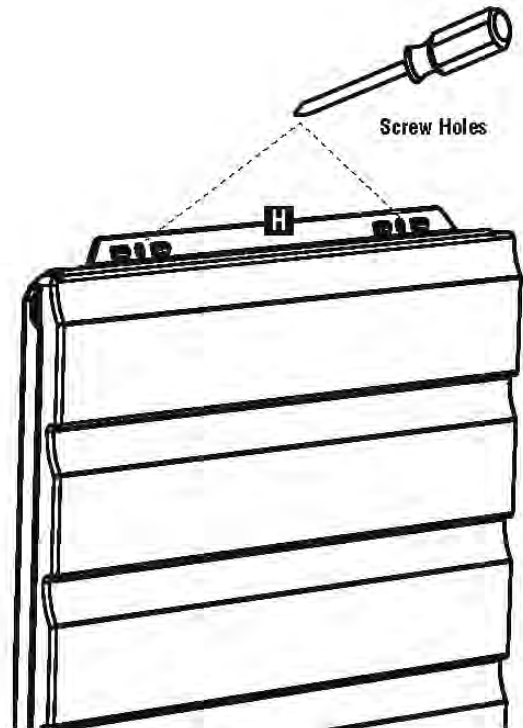
- d.** Install Wall Connector (Q) 5 places, connecting Repeat Right Side (E) and middle position Repeat Right Side (E). Position connectors in slots and slide down to snap in place.



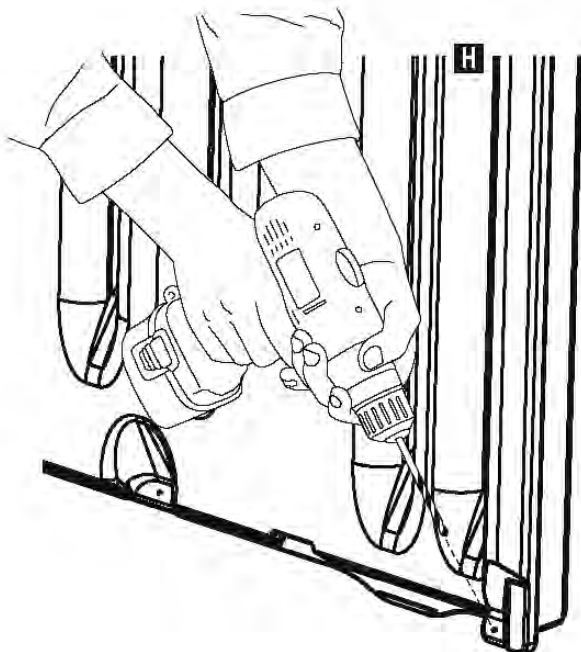
3.7 Wall Panel H Installation



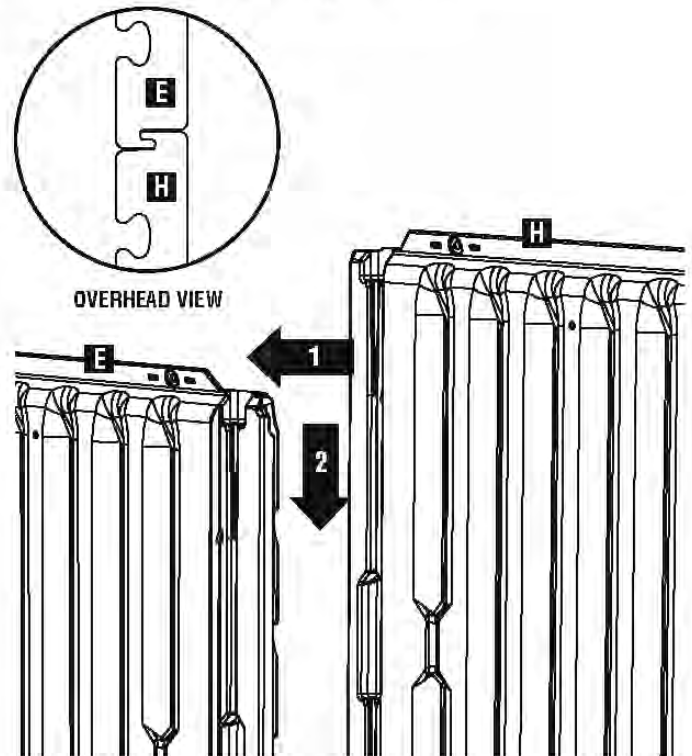
- a. Using a screwdriver, punch out the screw holes on the top of the middle position **Front Right Side (H)** 2 places.



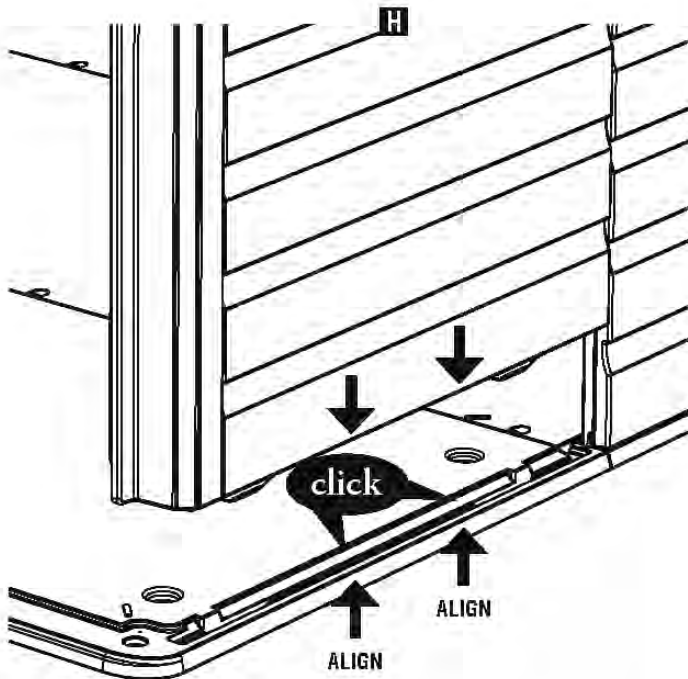
- b. Drill a pilot hole (using 1/8" drill bit) in front lower corner at location indicated by screw target.
Note: This pilot hole is to be drilled through both walls.



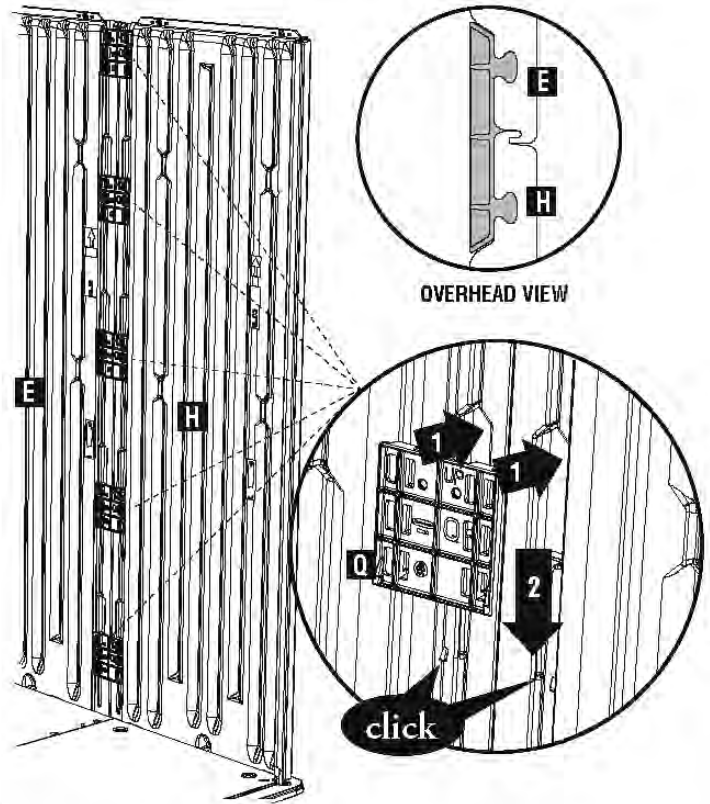
- c. Align the lap joint between **Front Right Side (H)** and middle position **Repeat Right Side (E)**.



d. Snap Front Right Side (H) into Front Floor (A).

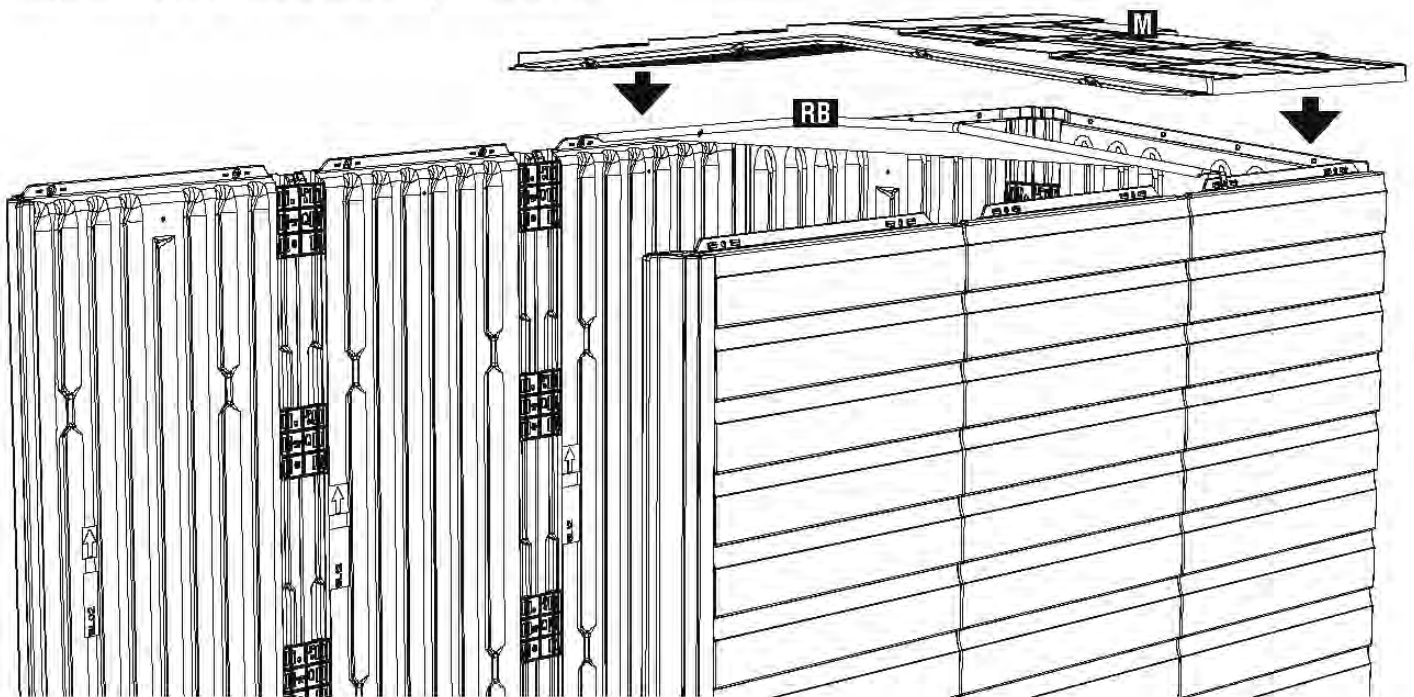


e. Install Wall Connector (Q) 5 places, connecting middle section Repeat Right Side (E) and Front Right Side (H).

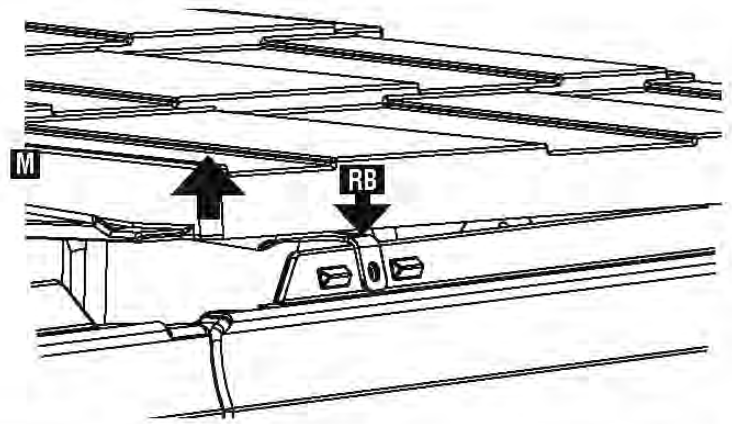


4.0 Roof Panel M (back position) Installation

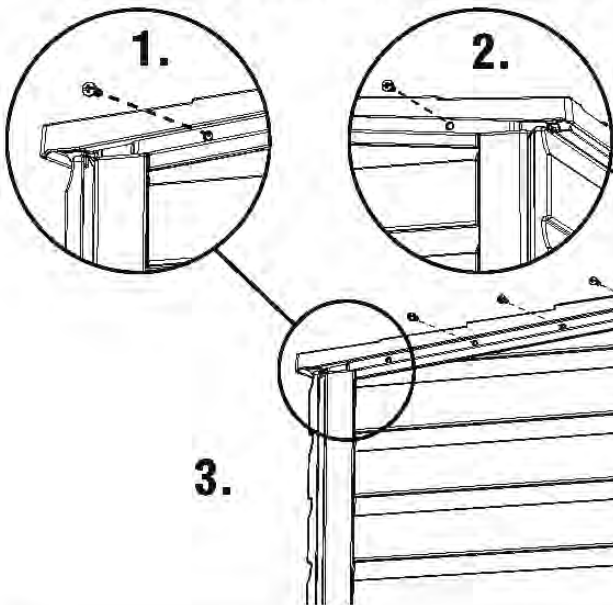
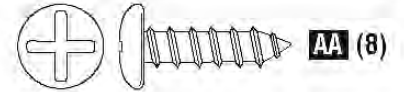
a. Install one Repeat Roof (M) onto back section. The overlap edge of roof points toward the back of the shed.
Align tongues on top of back wall to the outside of the roof panel overlap.
Align tongues on top of side walls into grooves in roof.



- b.** Slightly raise front edge of roof enough to allow positioning of **Roof Brace (RB)** onto the side walls as shown. Lower the roof onto the walls and align **Roof Brace (RB)** into pocket in **Repeat Roof (M)**.

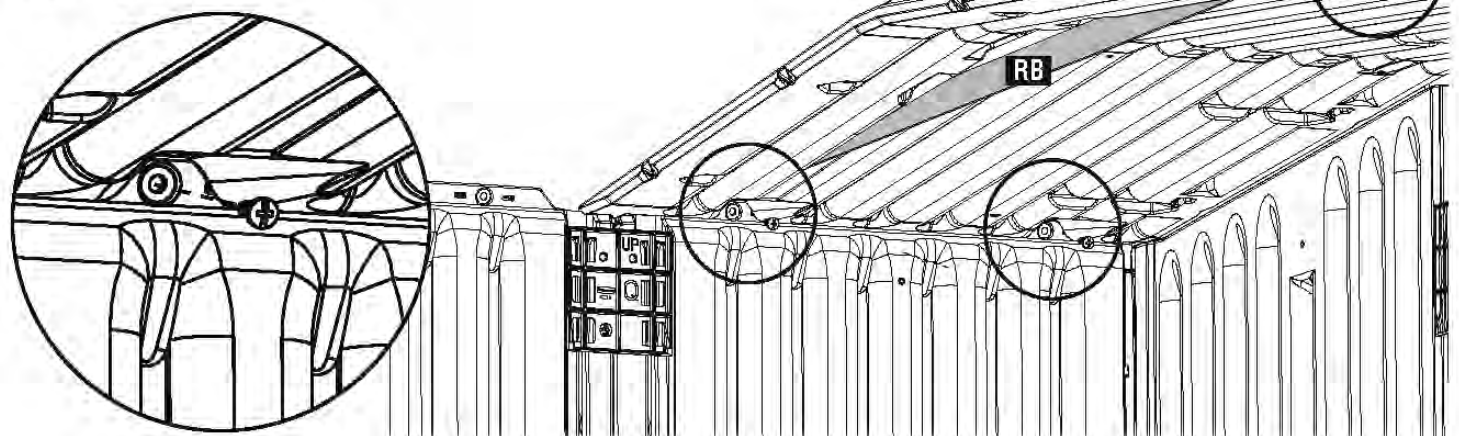
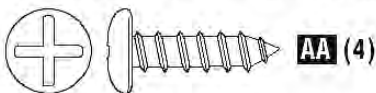


- c.** Ensure **Repeat Roof (M)** is positioned against the back wall tongues. From outside the shed, install one **Screw (AA)** at each corner. **Hold the edge of the roof down firmly at the corners while installing each screw.** Install remaining screws into remaining locations of back walls.



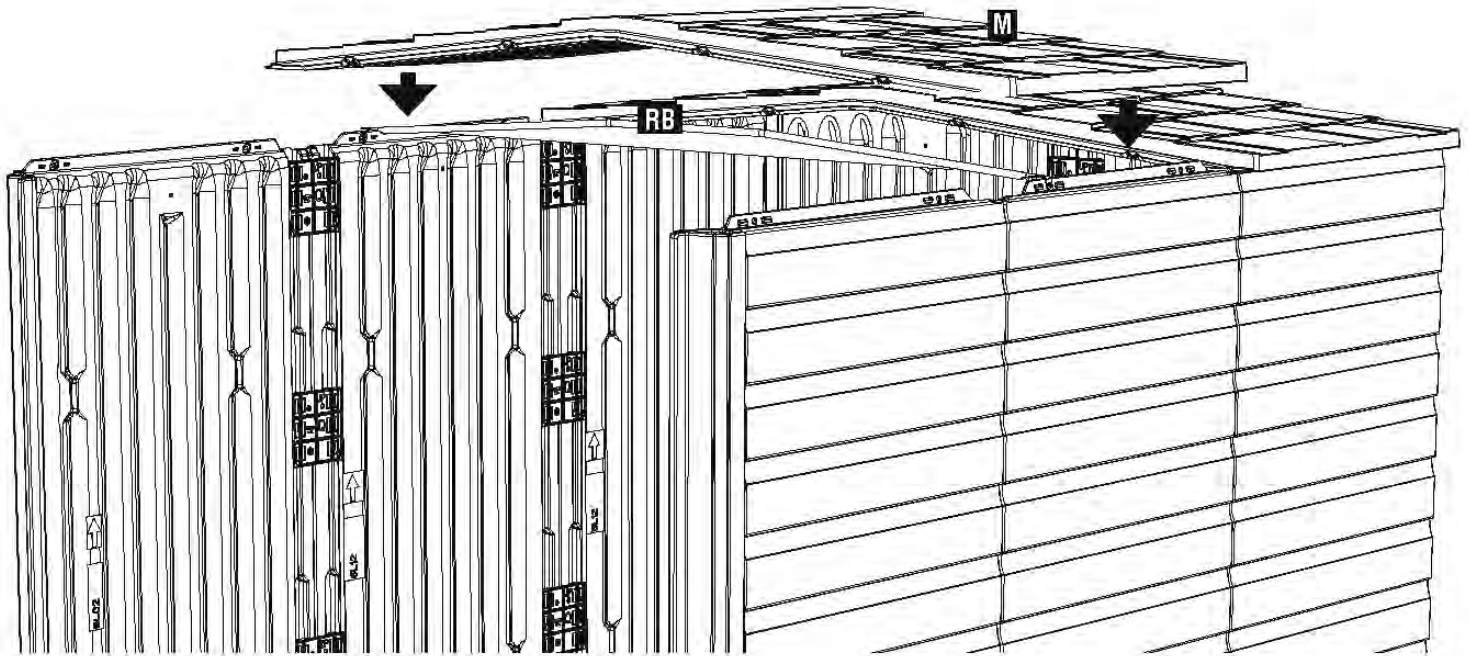
Helpful Hint: Installation is easier using a magnetic bit or starting screws with a manual screwdriver to get seated. Pilot holes also may be drilled using 1/8" bit.

- d.** From inside the shed, install four **Screws (AA)** into the roof at each side wall location. **Note: The screws also have to go through the Roof Brace (RB) at each end to properly secure the roof!** A second person on the outside of the shed should hold down the edge of the roof firmly at each screw location.

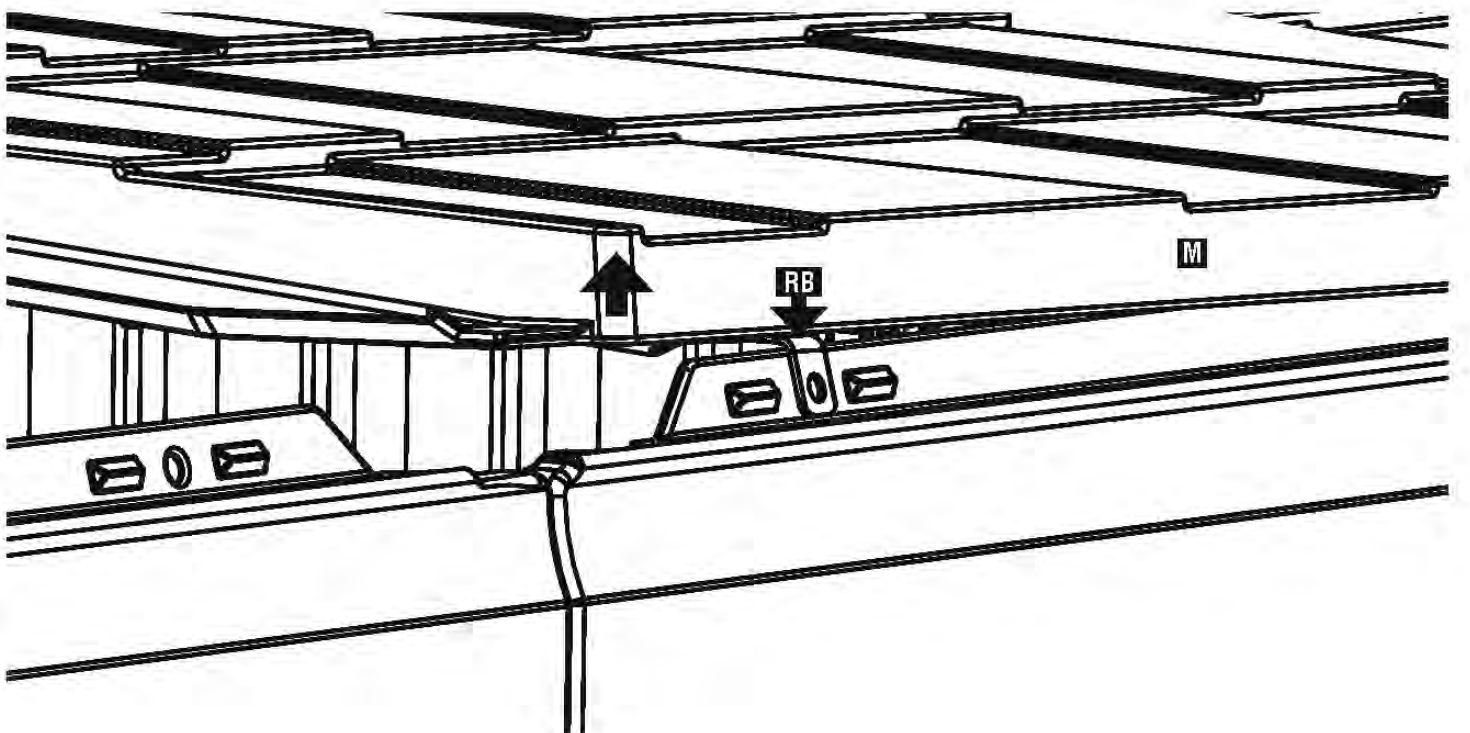


4.1 Roof Panel M (middle position) Installation

- a. Install one **Repeat Roof (M)** onto middle section. The overlap edge of roof points toward the back of the shed. Align tongues on top of side walls into grooves in roof.

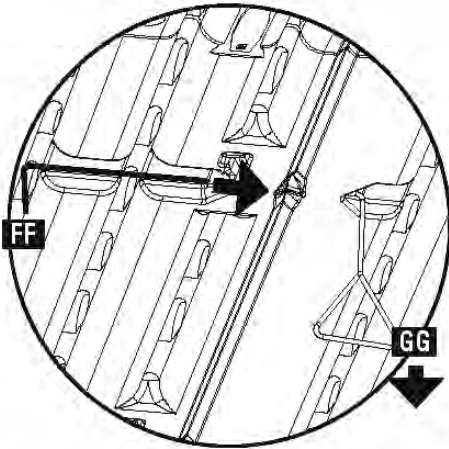


- b. Slightly raise front edge of roof enough to allow positioning of **Roof Brace (RB)** onto the side walls as shown. Lower the roof onto the walls and align **Roof Brace (RB)** into pocket in **Repeat Roof (M)**.

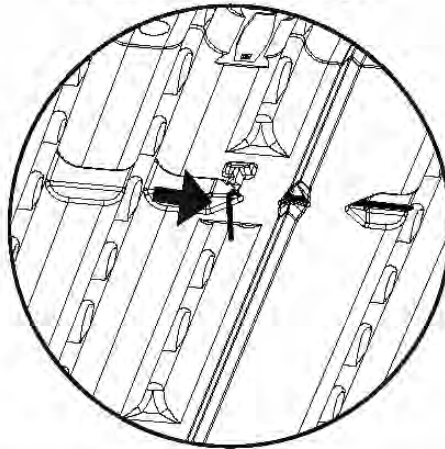


- C.** Make sure middle location **Repeat Roof (M)** is positioned tightly against the back **Repeat Roof (M)** section.
Install **Roof Pins (FF)** in four places. If necessary, use **Roof Pin Assembly Tool (GG)** to pull the roof down.

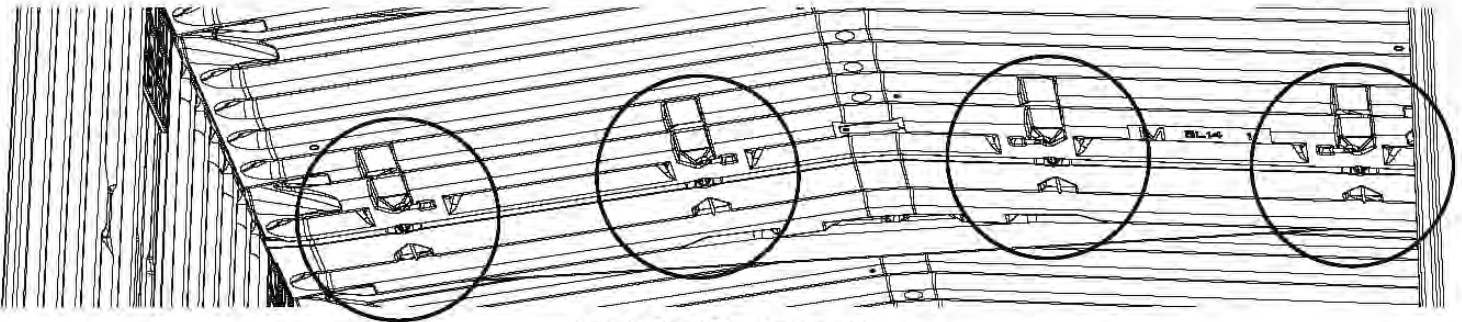
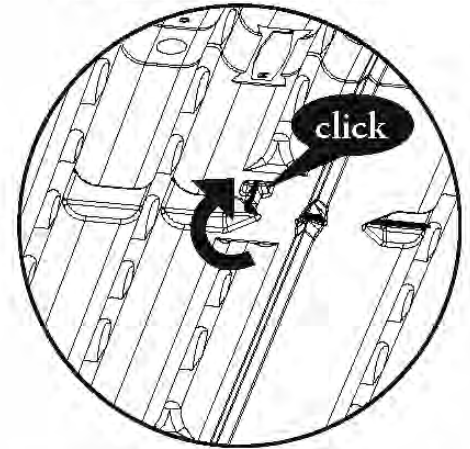
1. Insert pin in slot.



2. Push all the way through.

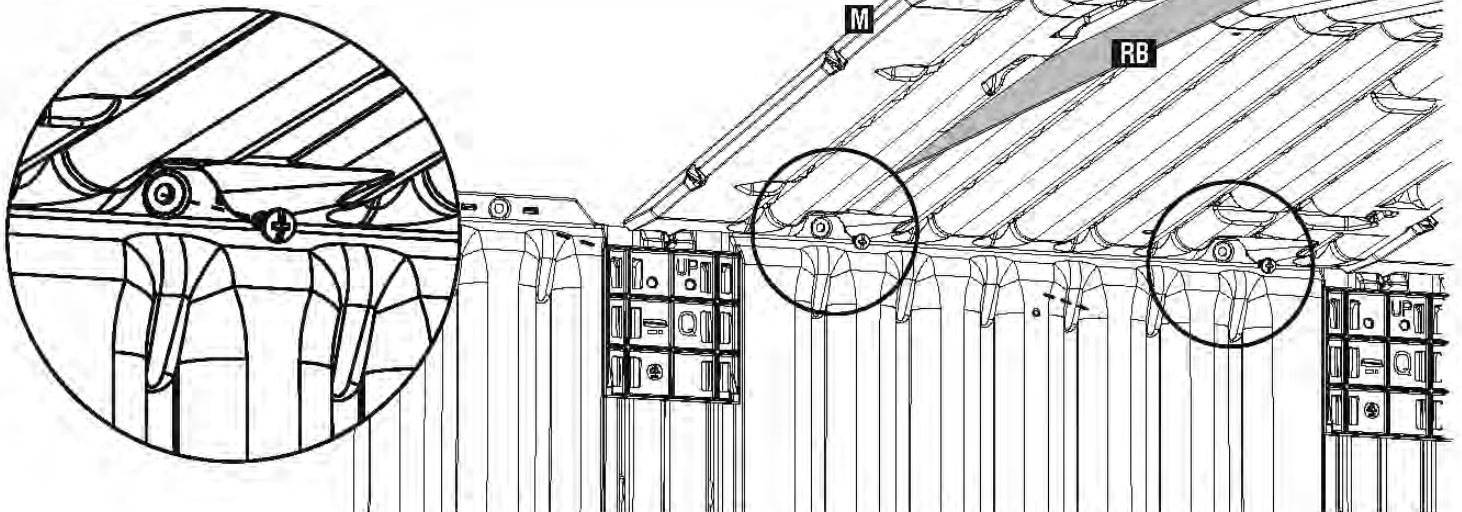
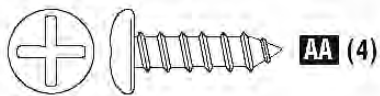


3. Rotate head flush with roof.



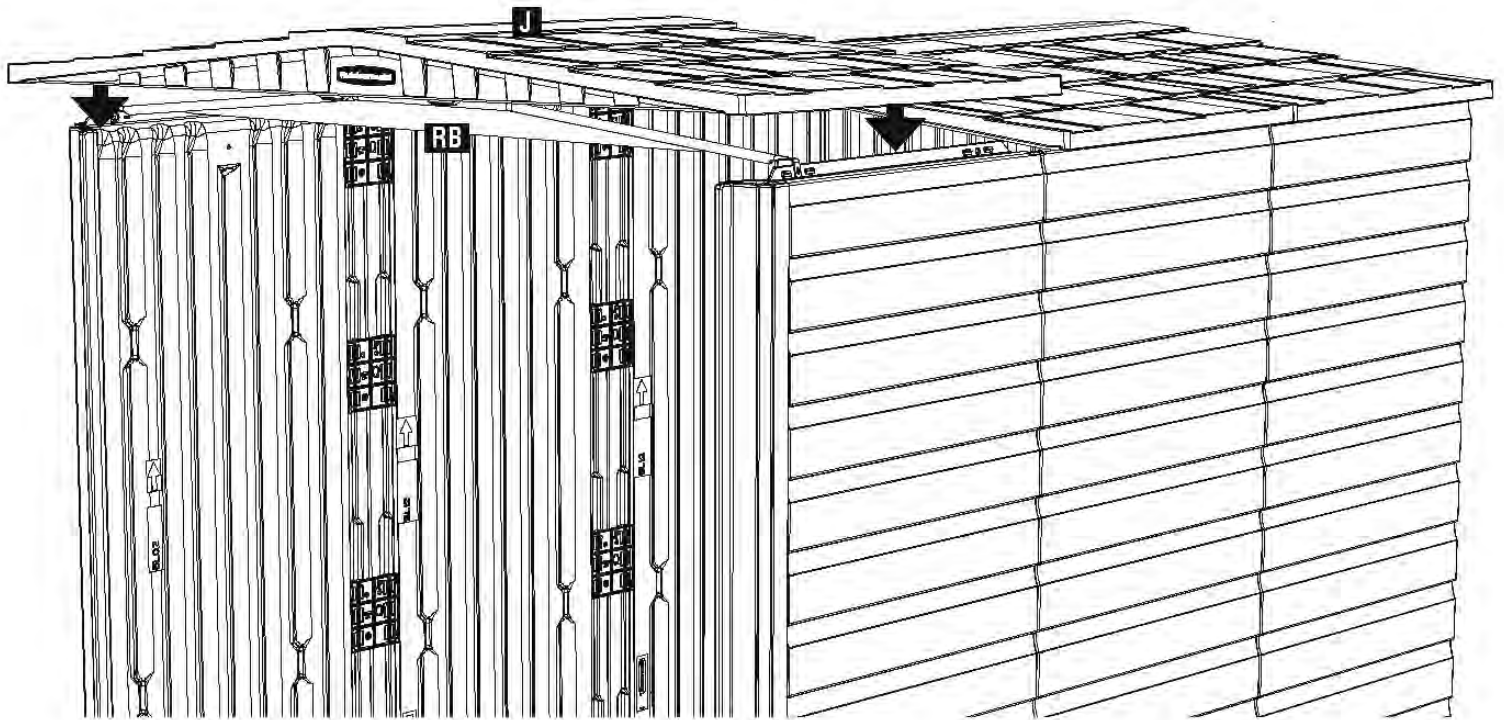
Install Roof Pins four places.

- d.** From inside the shed, install four **Screws (AA)** into the roof at each side wall location.
Note: The screws also have to go through the **Roof Brace (RB)** at each end to properly secure the roof!
A second person on the outside of the shed should hold down the edge of the roof firmly at each screw location.

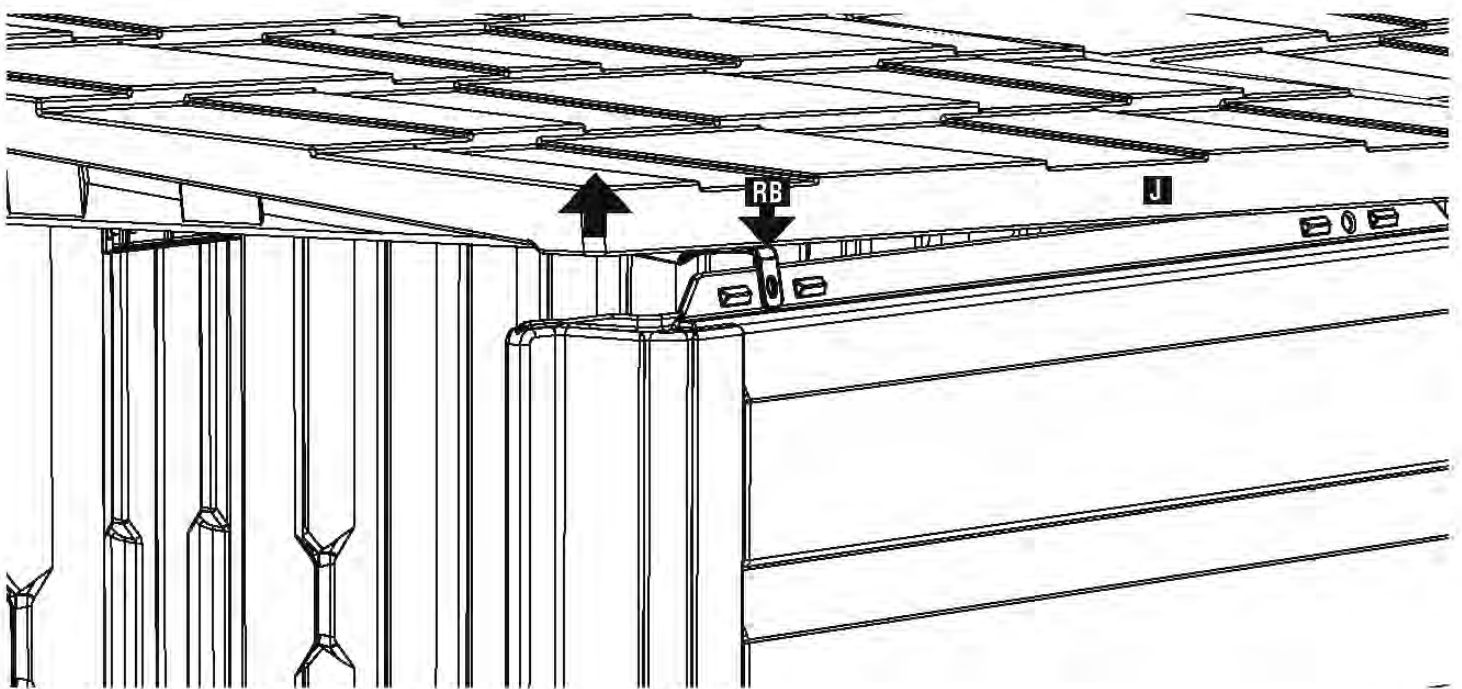


4.2 Roof Panel J (front position) & Door Installation

- a.** Install one **Front Roof (J)** onto front section: roof gable edge toward front of shed.
Align tongues on top of side walls into grooves in roof.

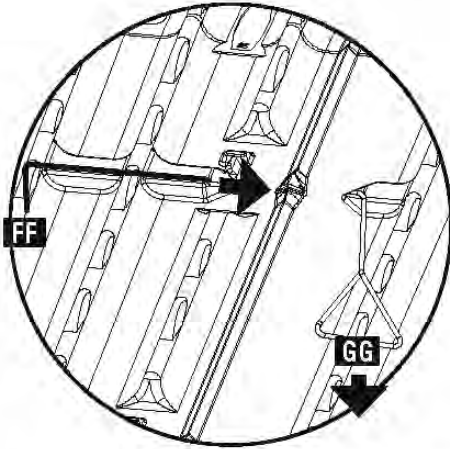


- b.** Slightly raise front edge of roof enough to allow positioning of **Roof Brace (RB)** onto the side walls as shown.
Lower the roof onto the walls and align **Roof Brace (RB)** into pocket in **Front Roof (J)**.

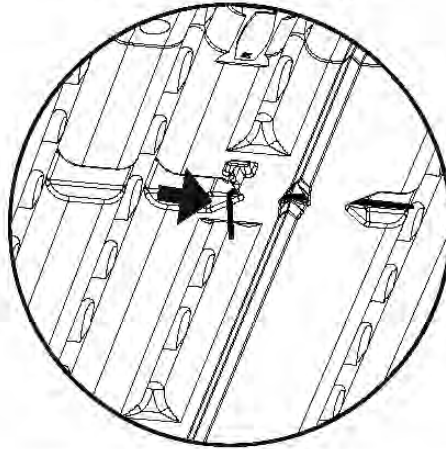


- C.** Make sure **Front Roof (J)** is positioned tightly against the middle **Repeat Roof (M)** section.
Install **Roof Pins (FF)** in four places. If necessary, use **Roof Pin Assembly Tool (GG)** to pull the roof down.

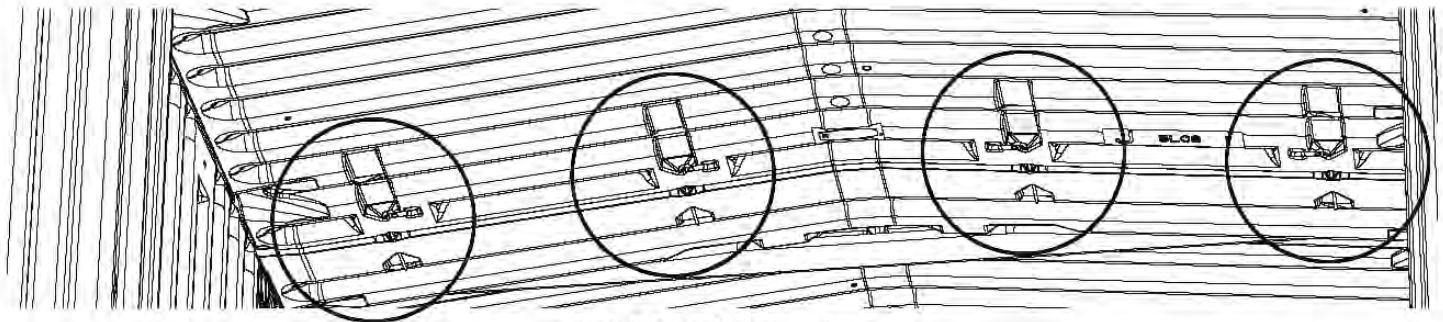
1. Insert pin in slot.



2. Push all the way through.

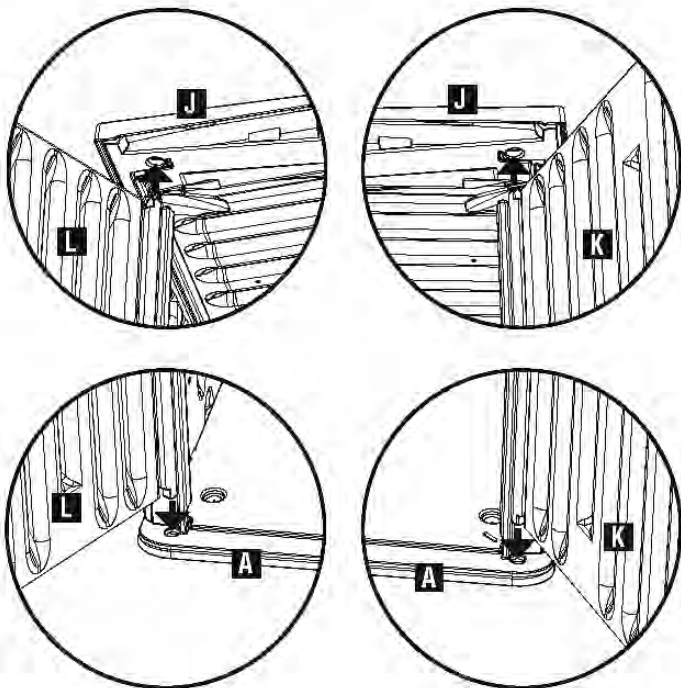


3. Rotate head flush with roof.



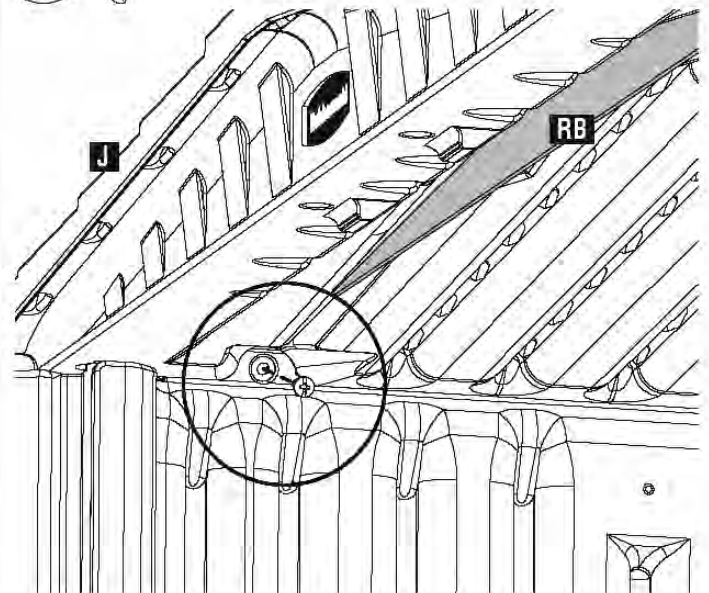
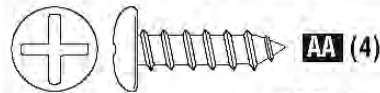
Install Roof Pins four places.

- d.** Install **Left Door (L)** and **Right Door (K)** into hinge openings of **Front Floor (A)** and hinge sockets in **Front Roof (J)**.
Note: Only raise front edge of roof enough to install the door hinge pins.



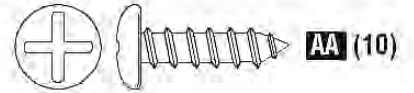
- e.** From inside the shed, install four **Screws (AA)** into the roof at each side wall location.

Note: The screws also have to go through the **Roof Brace (RB)** at each end to properly secure the roof!
A second person on the outside of the shed should hold down the edge of the roof firmly at each screw location.

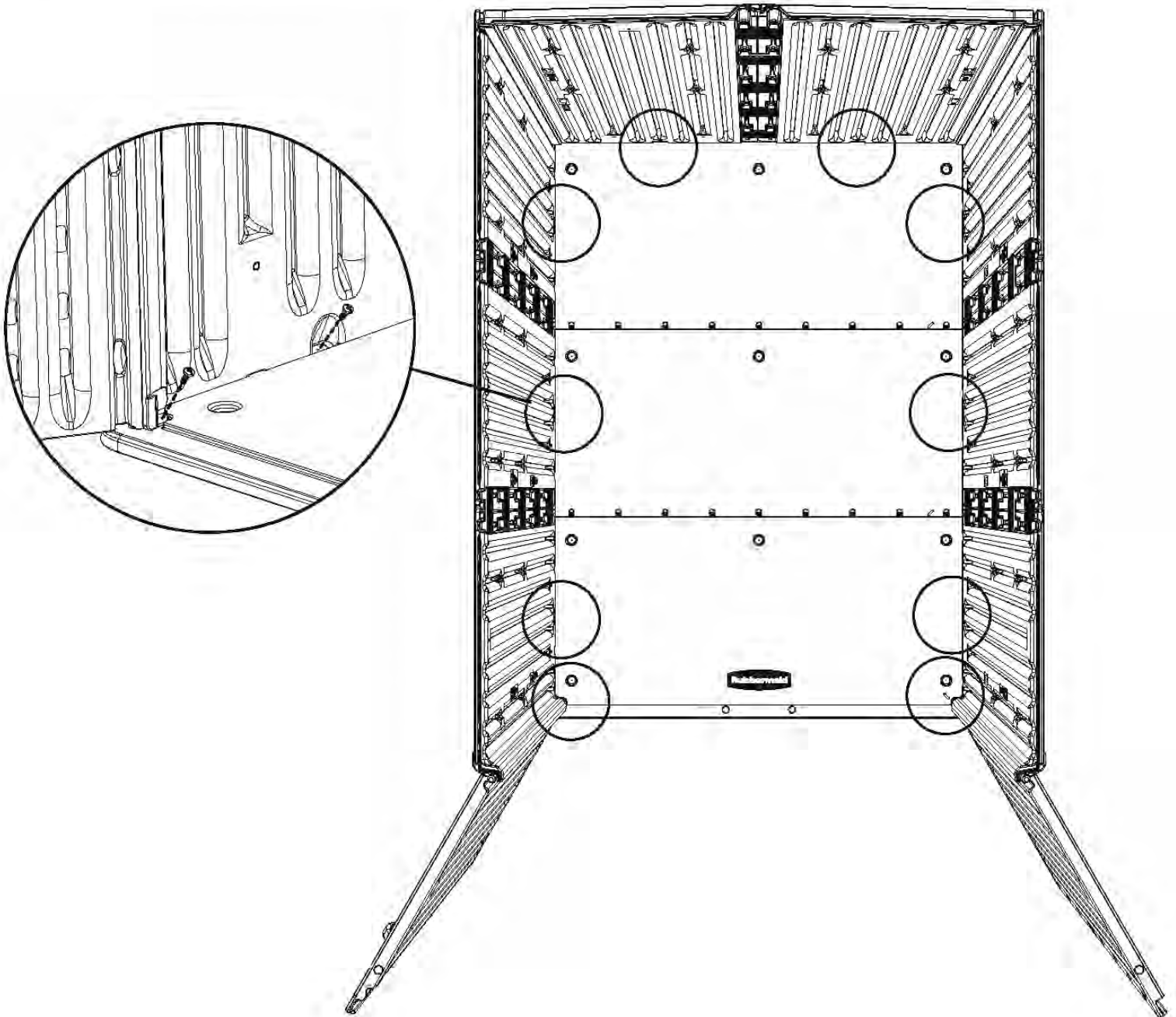


5.0 Finishing Installation

- a.** Install Screws (AA) into 10 locations shown at bottom of wall panels to secure walls to floor.

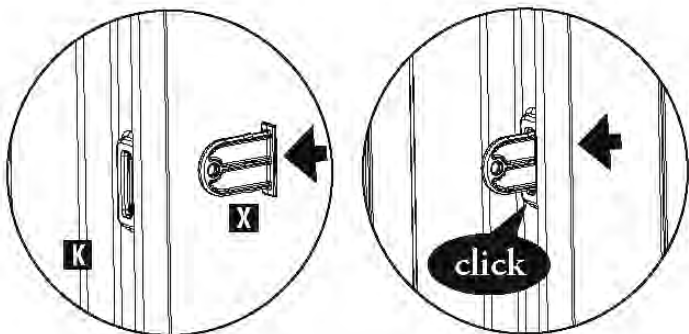


HELPFUL HINT: Pilot holes may be drilled for the screws.
CAUTION: Do not overtighten screws.

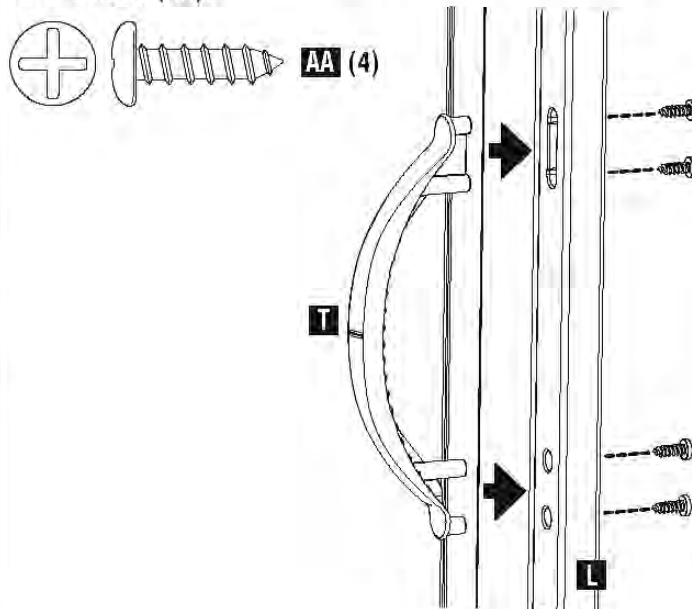


5.1 Door Finishing Installation

a. Install Lock Hasp (X) into opening on Right Door (K).

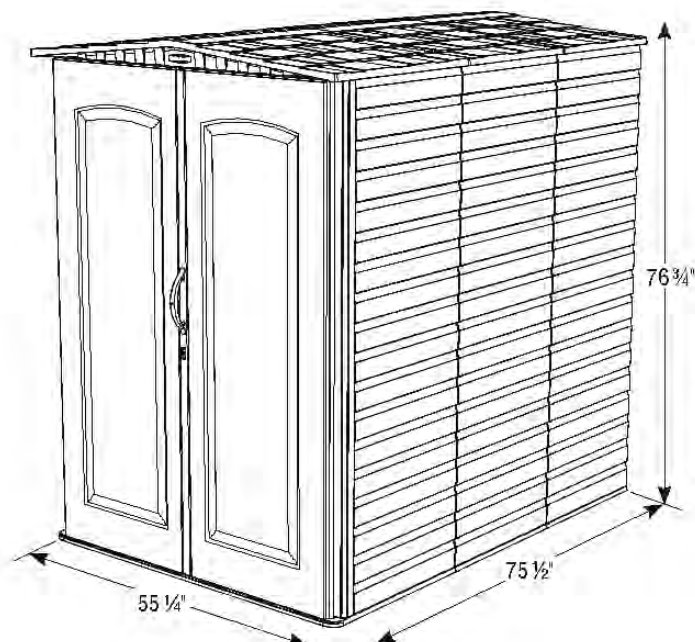


b. Install Door Handle (T) onto Left Door (L) using four Screws (AA).



MAINTENANCE & SAFETY

- Periodically check shed to assure it remains stable and the site remains level.
- In areas of high winds it is recommended to anchor shed to platform or ground by holes in floor at designated location and secure with the proper fasteners (not included).
- Wash shed with garden hose or a mild detergent solution. Using an abrasive cleaner could damage your shed.
- Hot items such as recently used grills or fire pits should not be stored in the building.
- Heavy items should not be leaned against the walls, as this may cause distortion.
- Keep doors closed when not in use to prevent wind damage.
- Do not climb onto roof.
- Shed is not designed for habitation.



A **Newell Rubbermaid** Company

Printed in U.S.A.
2009 Rubbermaid Incorporated,
Huntersville, NC U.S.A. 28078-1801

Customer Service
Toll Free: 1-888-895-2110
M-F 8:30AM to 5PM EST

or visit us at www.rubbermaid.com

Rubbermaid®

5L30

Félicitations et merci d'avoir acheté une remise Rubbermaid.

AVANT DE COMMENCER – NORMES DE CONSTRUCTION

N'oubliez pas de vérifier les normes et réglementations de construction en vigueur localement.

AVANT DE COMMENCER – PRÉPARATION DE LA SURFACE

Pour que vous puissiez installer correctement votre remise et l'utiliser de façon satisfaisante, elle doit être édifée sur une surface plane et solide.

Il est recommandé de l'édifier sur un patio ou une dalle en béton, ou encore sur une plate-forme en bois traité.

AVANT DE COMMENCER – EMPLACEMENT

Lorsque vous choisissez un emplacement dans votre jardin, choisissez un espace facile d'accès, favorisant l'écoulement de l'eau de pluie autour de la remise.

AVANT DE COMMENCER – PRÉASSEMBLAGE

Lisez attentivement toute la procédure d'assemblage (il est très important de suivre l'ordre des étapes).

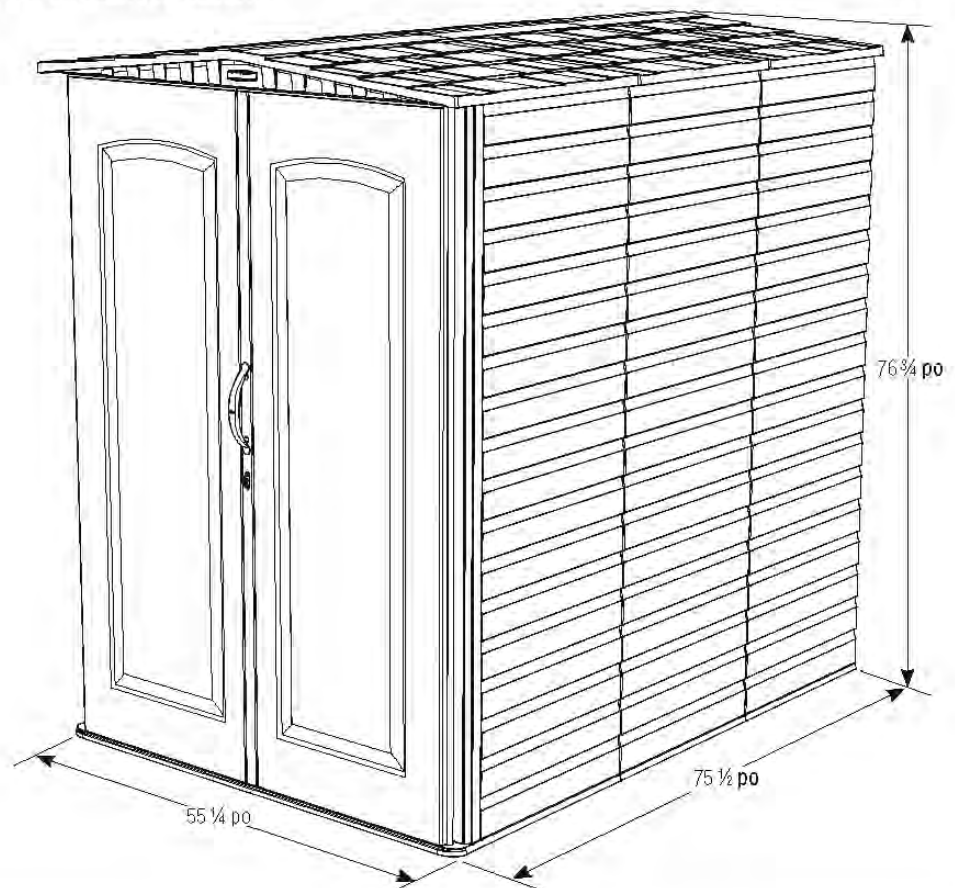
Examinez la liste de pièces et assurez-vous qu'il n'en manque aucune.

IMPORTANT – NE PAS RETOURNER AU MARCHAND

Si vous avez besoin d'assistance concernant votre remise Rubbermaid ou si vous désirez des informations supplémentaires sur nos produits, appelez sans frais notre service clients au : **1-888-895-2110**

L-V : 8h30 à 17h00 (heure de l'est) ou visitez notre site :

www.rubbermaid.com

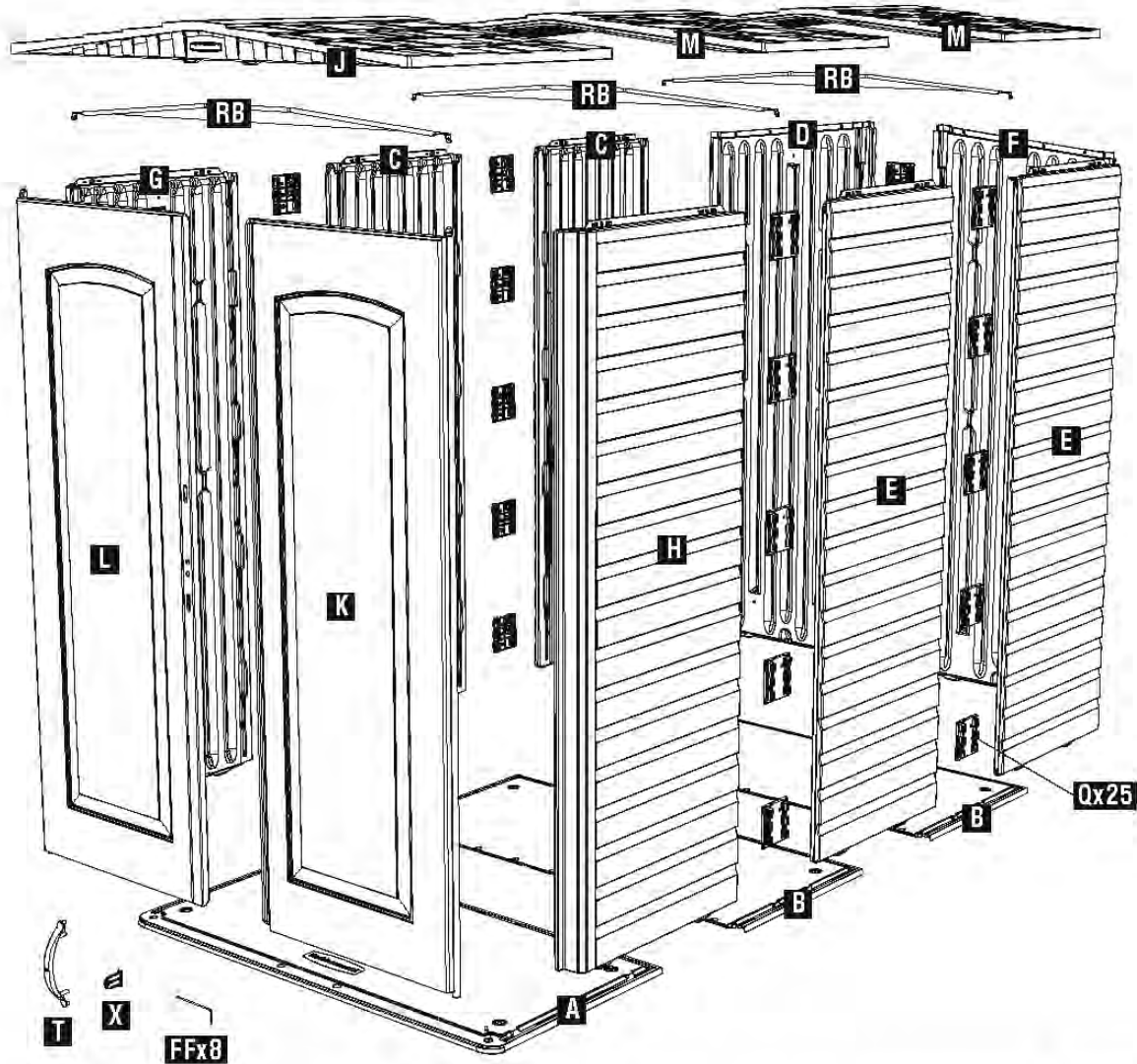


Procédure d'assemblage :

- 1. Préparation du site**
- 2. Plancher**
- 3. Murs**
- 4. Toit et portes**
- 5. Finition**

Remarque : N'oubliez pas de conserver ce manuel d'instructions et votre reçu de caisse original afin que notre service clients puisse rapidement et efficacement vous aider si nécessaire.

PO-5L30-PO

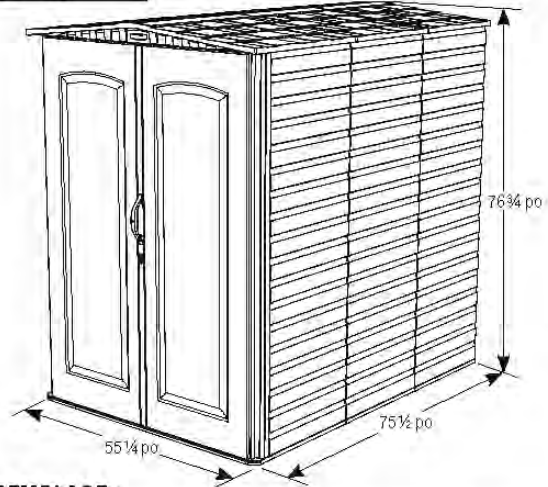


Description	Número de pièce	Code d'assemblage	Quantité	
Plancher	Plancher avant	5L01	A	1
	Plancher répété	5L11	B	2
Murs	Côté gauche répété	5L12	C	2
	Arrière gauche	5L04	D	1
	Côté droit répété	5L13	E	2
	Arrière droit	5L01	F	1
	Côté gauche avant	5L02	G	1
	Côté droit avant	5L03	H	1
Connecteur mural	5H75	Q	25	
Portes	Porte gauche	5L06	L	1
	Porte droite	5L07	K	1
	Poignée de porte	5L74	T	1
	Morceau de fermeture	5F58	X	1
Toit	Toit avant	5L08	J	1
	Toit répété	5L14	M	2
	Bras d'appui du toit	5L36	RB	3
Attaches	Vis mixte BER n° 14 x 3/4 po		AA	60*
	Écrouille de toit	NP 5J22	FF	8
	Outil d'assemblage pour tiges de toit	M3 5J22	GG	1
	Support auxiliaire	5H88		1

- Outils nécessaires**
- Lunettes de sécurité
 - Gants
 - Couteau à lame escamotable
 - Maillet en caoutchouc
 - Tournevis Phillips
 - Pointe Phillips
 - Perceuse
 - Foret de 1/8 po
 - Savon liquide
 - (2) Escabeaux

Assemblage nécessitant deux personnes

5L30



PRÉASSEMBLAGE :

- Avant de commencer la construction, étudiez TOUTES les étapes d'assemblage.
- Examinez la liste de pièces et assurez-vous qu'il n'en manque aucune.

REMARQUE :

- Pour simplifier l'assemblage et pour assurer un bon emboîtement de tous les composants, appliquez du détergent doux sur la queue d'aronde, puis emboîtez par pression avant l'assemblage.

* Des vis supplémentaires sont incluses

MISES EN GARDE

ATTENTION : Portez toujours des gants lorsque vous utilisez un couteau ou un outil à lame.

ATTENTION : Durant l'assemblage, portez toujours des lunettes de sécurité.

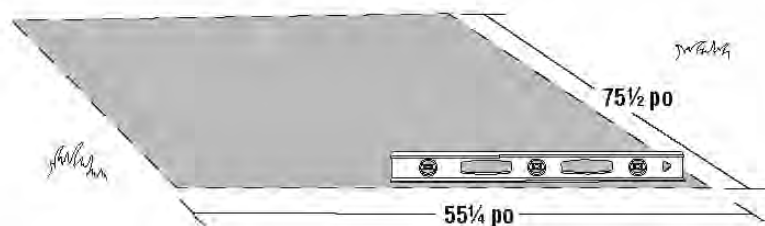
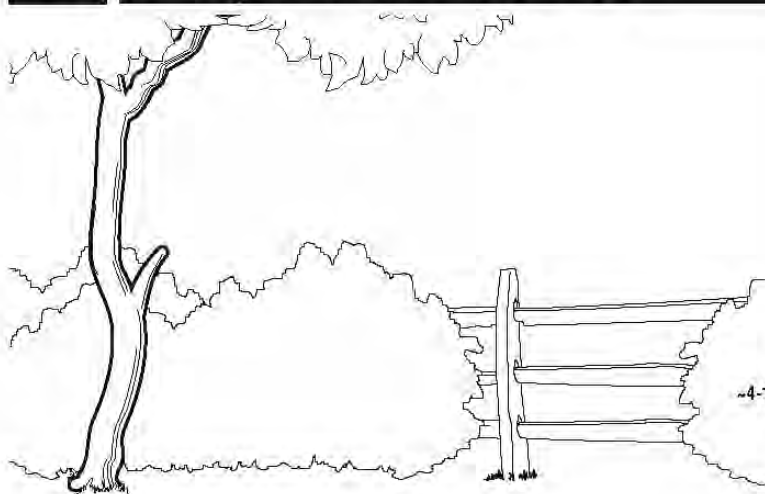
ATTENTION : Lors de l'installation des vis, faites attention de ne pas trop serrer.

ATTENTION : Percez uniquement la paroi murale initiale, à moins d'indication contraire.

ENTRETIEN

- Si nécessaire, la remise peut être nettoyée avec de l'eau et un détergent doux. **N'UTILISEZ JAMAIS DE DÉTERGENT FORT NI DES MATÉRIAUX/OUTILS DE NETTOYAGE ABRASIFS.**
- Pour maximiser la durabilité de votre remise, enlevez les accumulations de neige et de feuilles mortes sur le toit.
- Si du temps très mauvais est prévu, il est suggéré de démonter la remise et de la placer en lieu sûr.

1.0 Préparation du site



Construisez une surface plane et robuste pour les fondations de la remise. Avant de construire une nouvelle structure chez vous, consultez les autorités locales pour connaître les règles et restrictions en matière de construction.

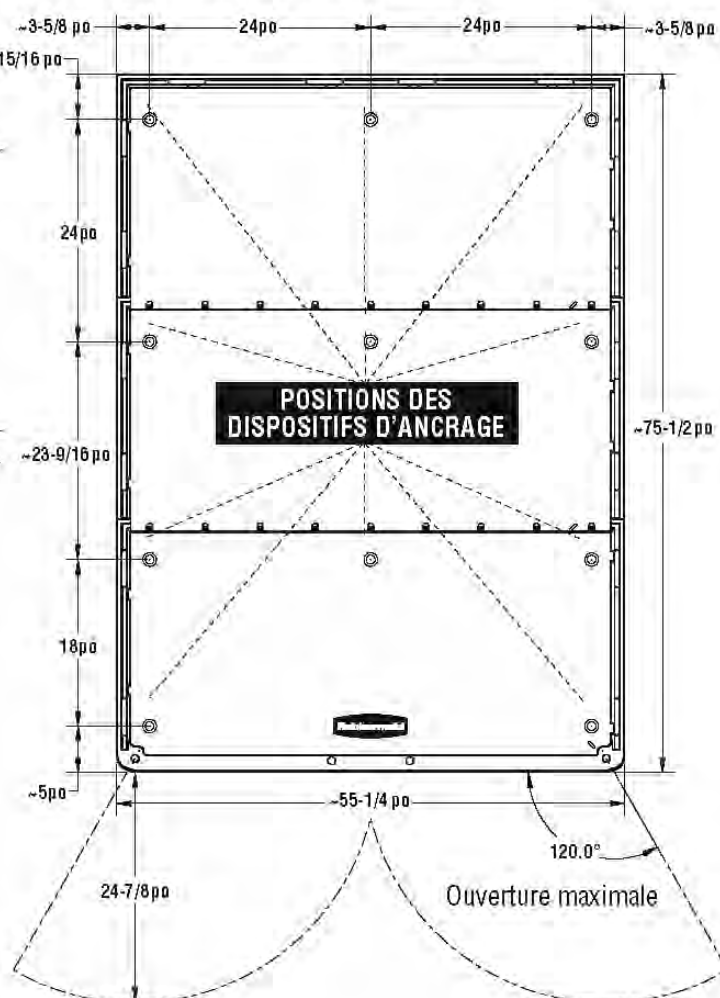
Remarque : Les dimensions minimum pour les fondations sont indiquées.

PLAN DE LA REMISE :

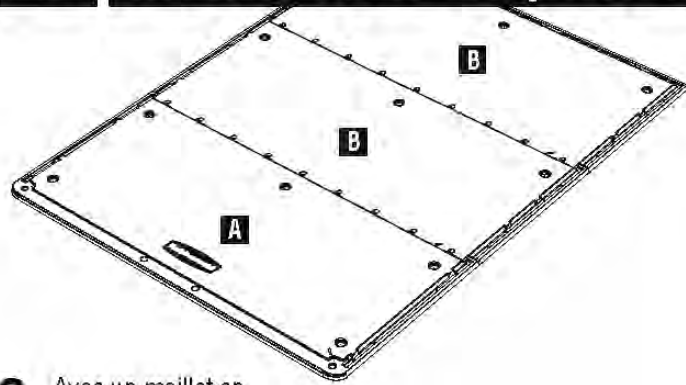
Aménagez un site de construction d'une superficie suffisante pour accepter tout le plancher.

ÉTAPE OPTIONNELLE :

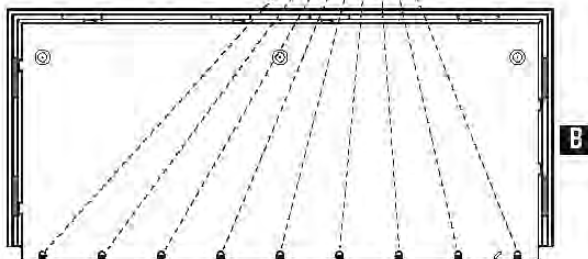
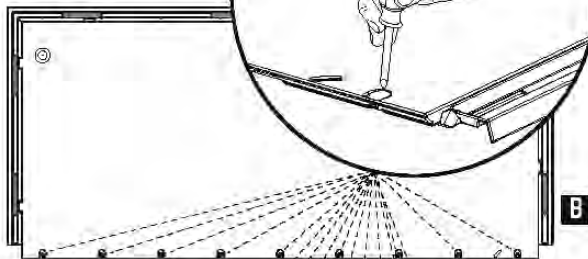
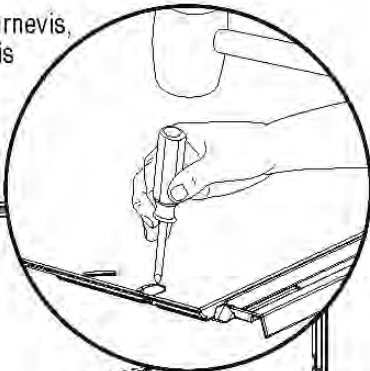
Si vous le désirez, des positions d'ancrage encastrées (11 positions) peuvent être utilisées pour ancrer le plancher de la remise à des fondations après les avoir construites.



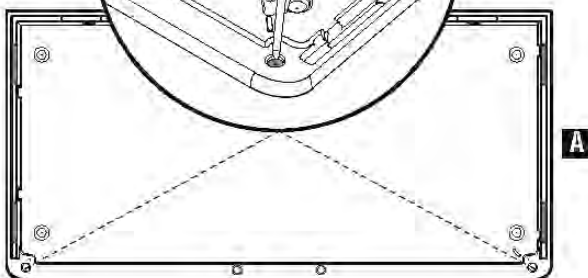
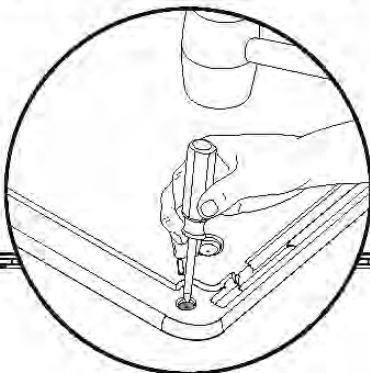
2.0 Installation du plancher



- a.** Avec un maillet en caoutchouc et un tournevis, percez les trous de vis sur la bordure de raccordement des deux planchers répétés (B).

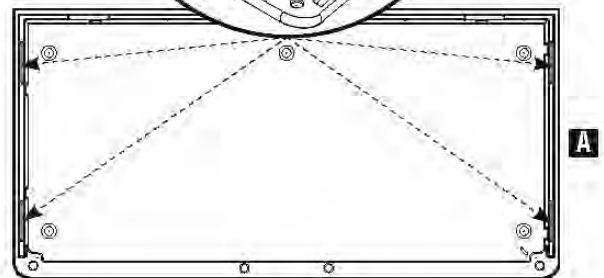
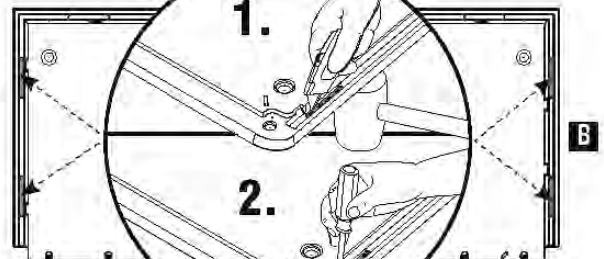
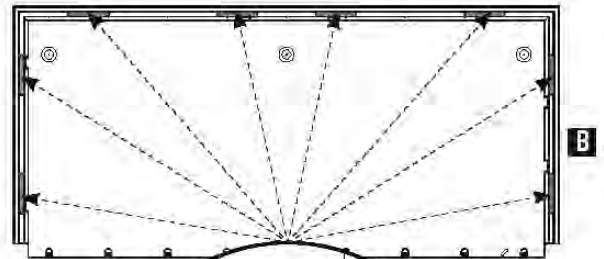


- c.** Avec l'aide d'un maillet en caoutchouc et d'un tournevis, faites sortir les pattes pour les charnières de porte, aux 2 endroits prévus sur le plancher avant (A).

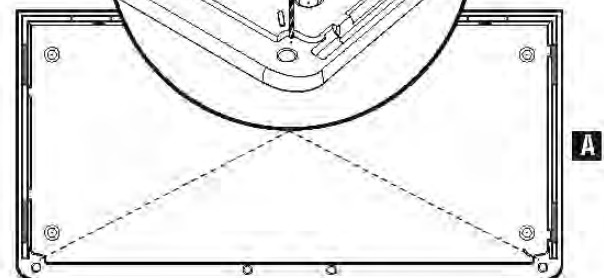
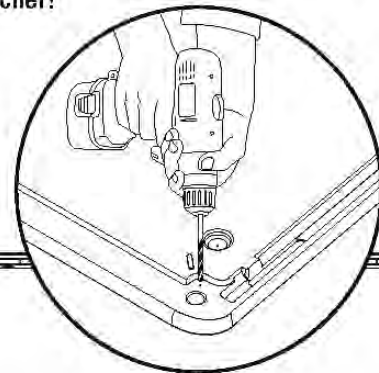


- b.** Avec un couteau à lame escamotable fine, faites une incision sur le côté long de chaque patte de fente de mur, puis utilisez un maillet en caoutchouc et un tournevis pour séparer les pièces :

- 4 endroits sur le plancher avant (A)
- 4 endroits sur le plancher répété (B) (position médiane)
- 8 endroits sur le plancher répété (B) (position arrière)



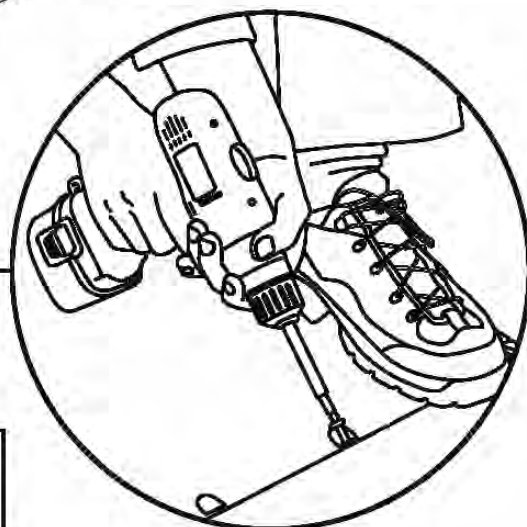
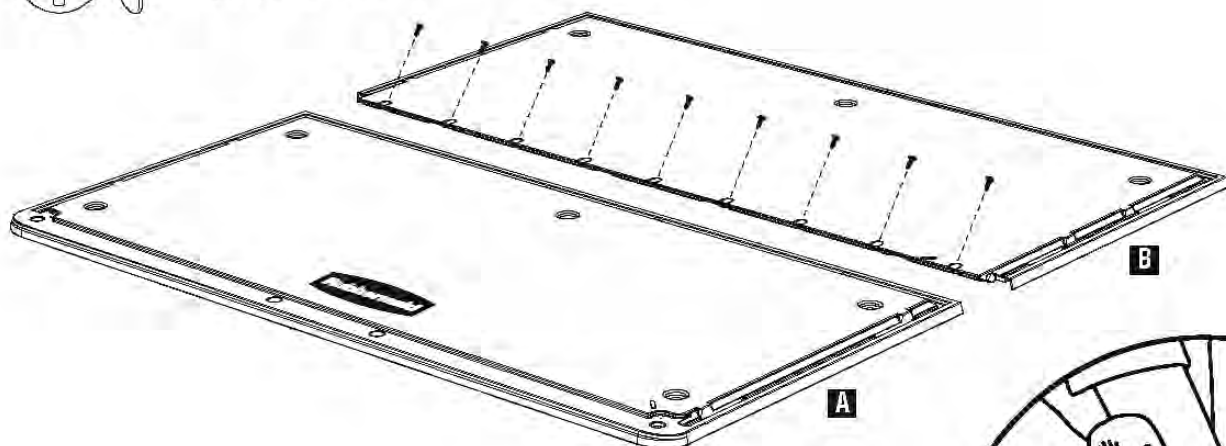
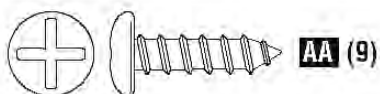
- d.** Percez un trou de guidage dans la surface supérieure du plancher, au 2 endroits prévus sur le plancher avant (A). **ATTENTION : Percez uniquement la surface supérieure du plancher!**



2.1 Installation du plancher

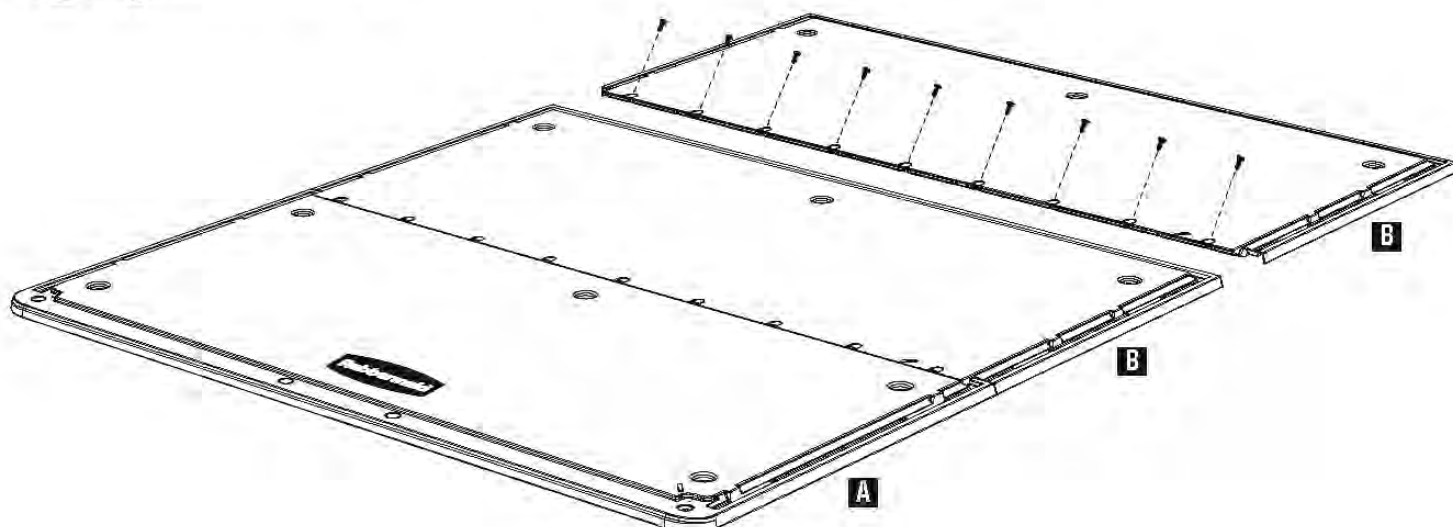
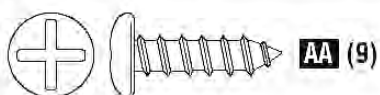
- a.** Connectez et alignez le **plancher répété (B)** de position médiane sur le **plancher avant (A)** et installez **des vis (AA)** aux 9 endroits prévus; gardez les panneaux alignés et droits lorsque vous installez les vis.

CONSEIL UTILE : Vous pouvez percer des trous de guidage avec un foret de 1/8 po.
ATTENTION : Faites attention de ne pas trop serrer les vis.

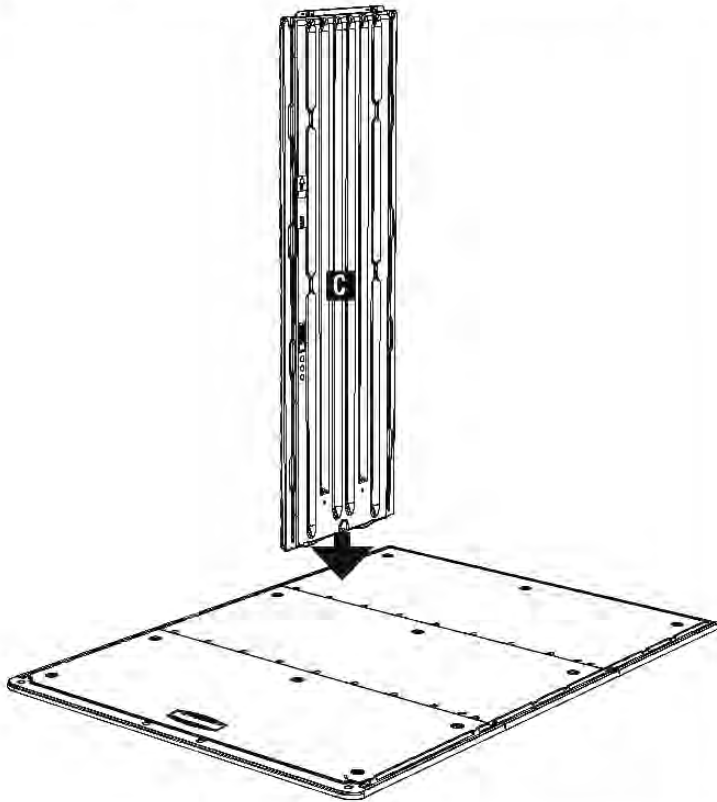


- b.** Connectez et alignez le **plancher répété (B)** de position arrière sur le **plancher répété (B)** de position médiane et installez les **vis (AA)** aux 9 endroits prévus; gardez les panneaux alignés et droits lorsque vous installez les vis.

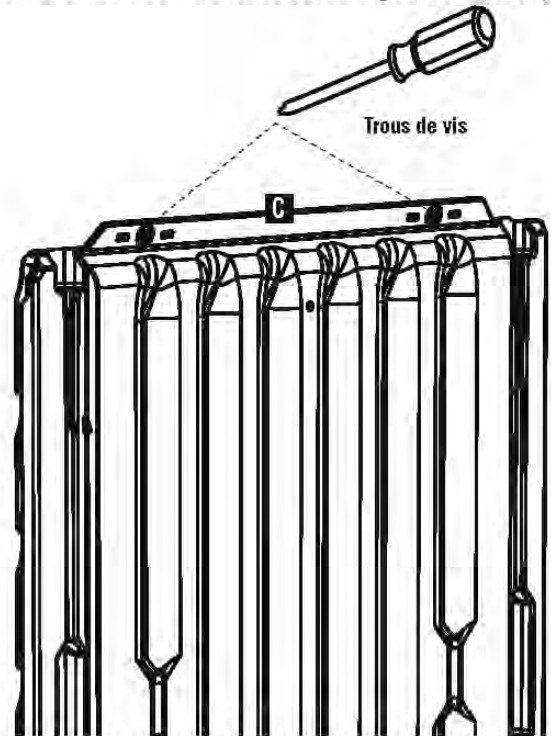
CONSEIL UTILE : Vous pouvez percer des trous de guidage avec un foret de 1/8 po.
ATTENTION : Faites attention de ne pas trop serrer les vis.



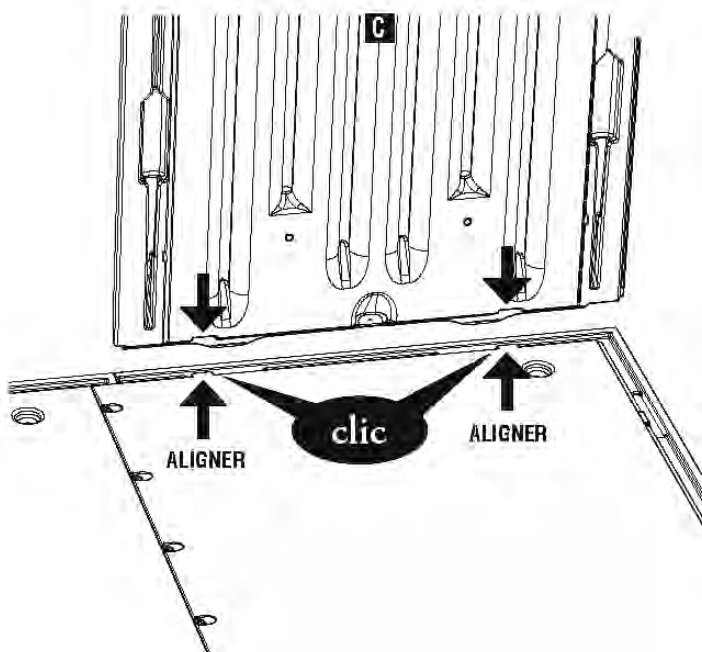
3.0 Installation de la paroi murale C



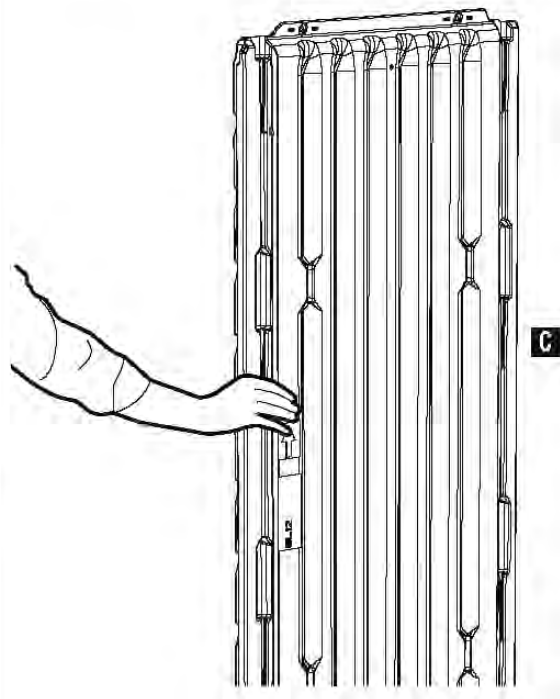
- a.** Avec un tournevis, percez les trous de vis aux 2 emplacements sur le dessus du côté gauche répété (C).



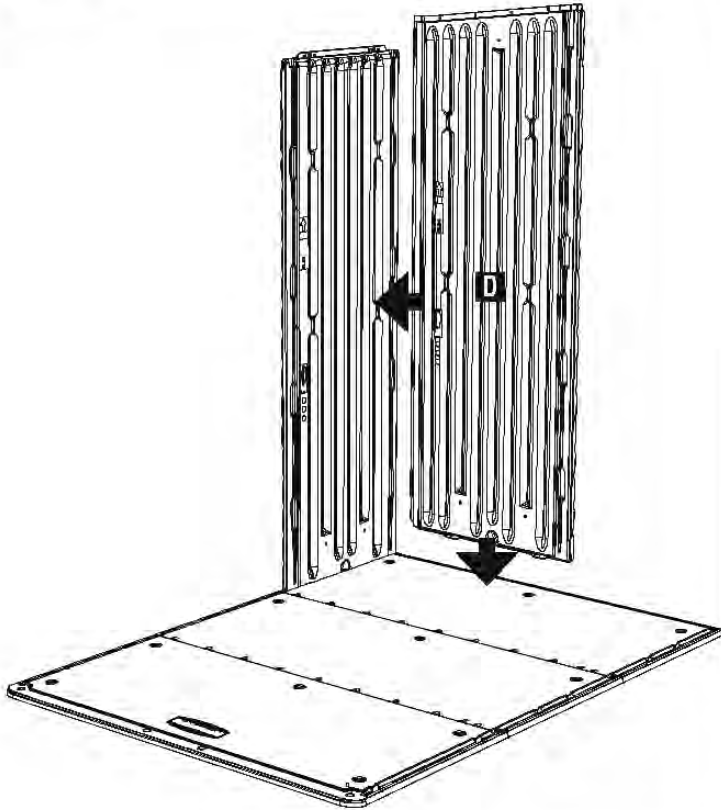
- b.** Emboîtez le côté gauche répété (C) dans la position arrière du plancher répété (B).



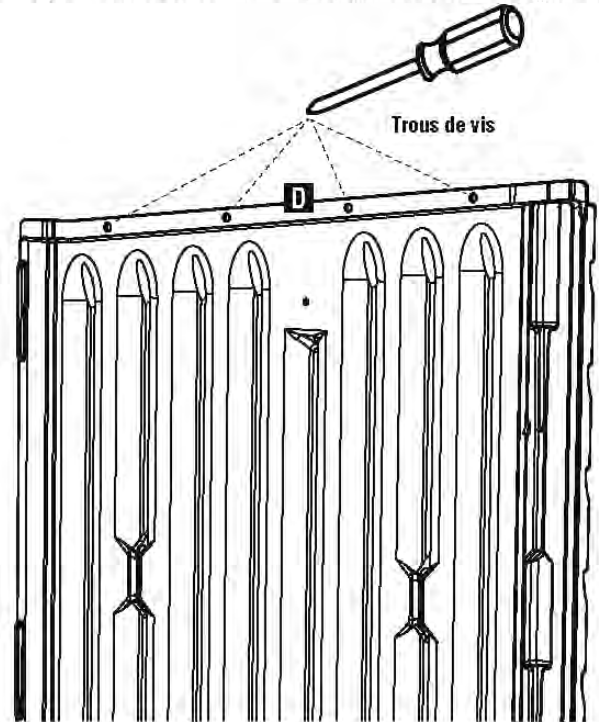
- c.** Tenez le côté gauche répété (C) en position debout de façon à l'empêcher de tomber (jusqu'à ce que le panneau arrière gauche (D) soit installé).



3.1 Installation de la paroi murale D

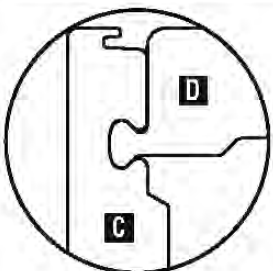


- a.** Avec un tournevis, percez les trous de vis aux 4 emplacements sur le dessus du panneau arrière gauche (D).

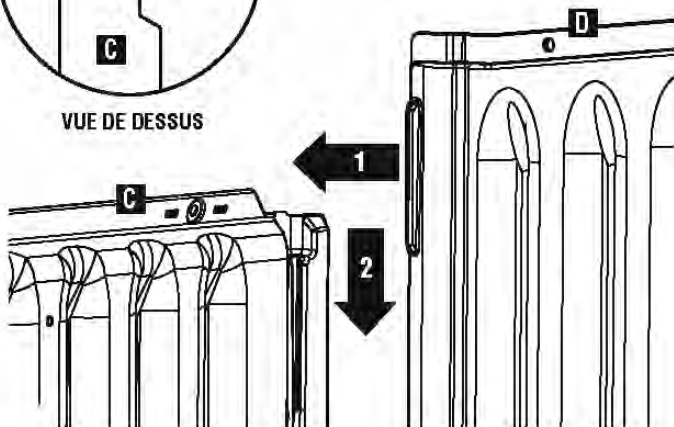


- b.** Emboîtez le panneau arrière gauche (D) dans les queues d'aronde du côté gauche répété (C).

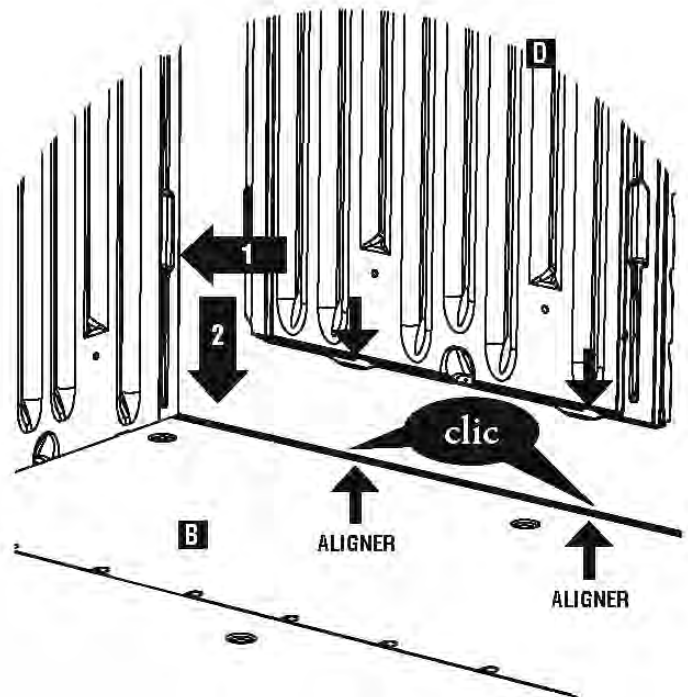
CONSEIL UTILE : Lubrifiez les queues d'aronde avec du savon liquide.



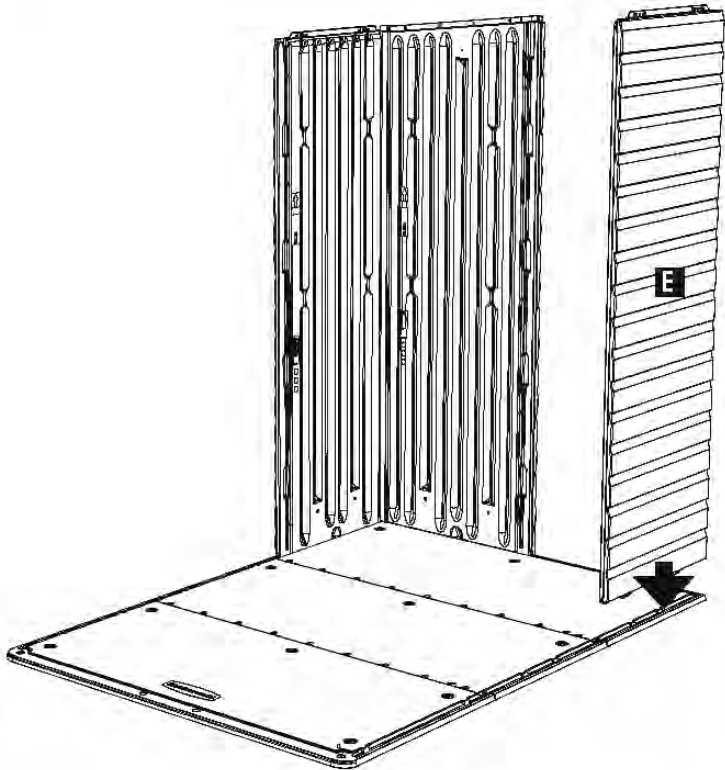
VUE DE DESSUS



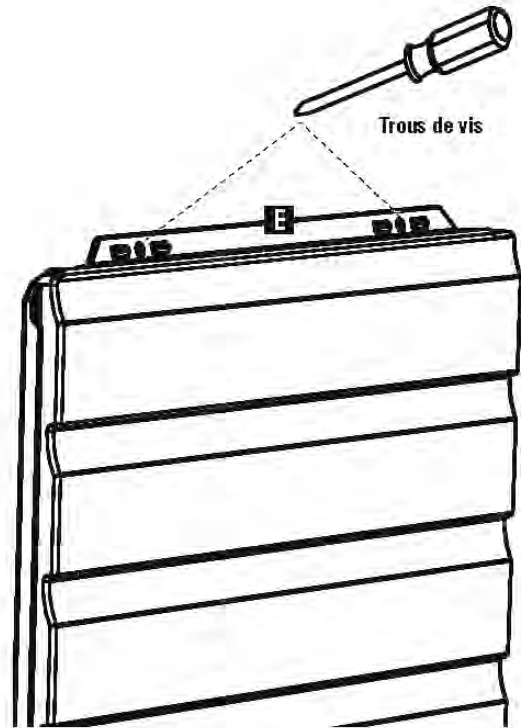
- c.** Emboîtez les fermetures dans le bas du panneau arrière gauche (D) dans le plancher répété (B).



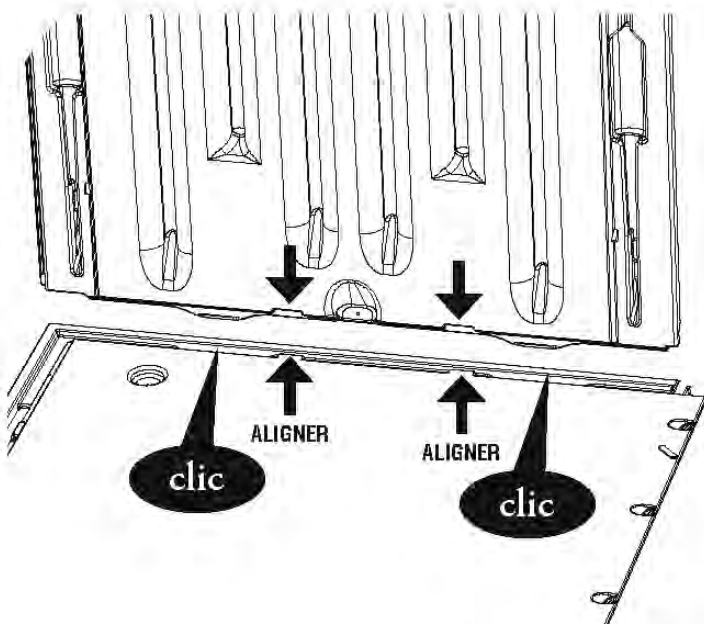
3.2 Installation de la paroi murale E



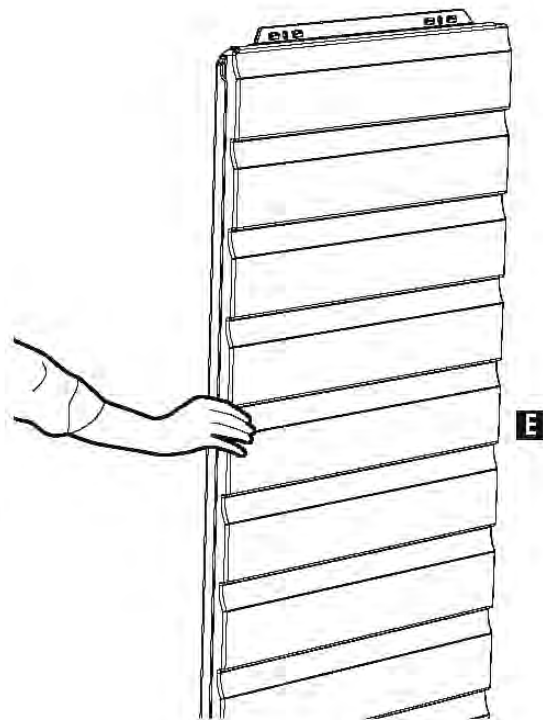
- a.** Avec un tournevis, percez les trous de vis aux 2 emplacements sur le dessus du côté droit répété (E).



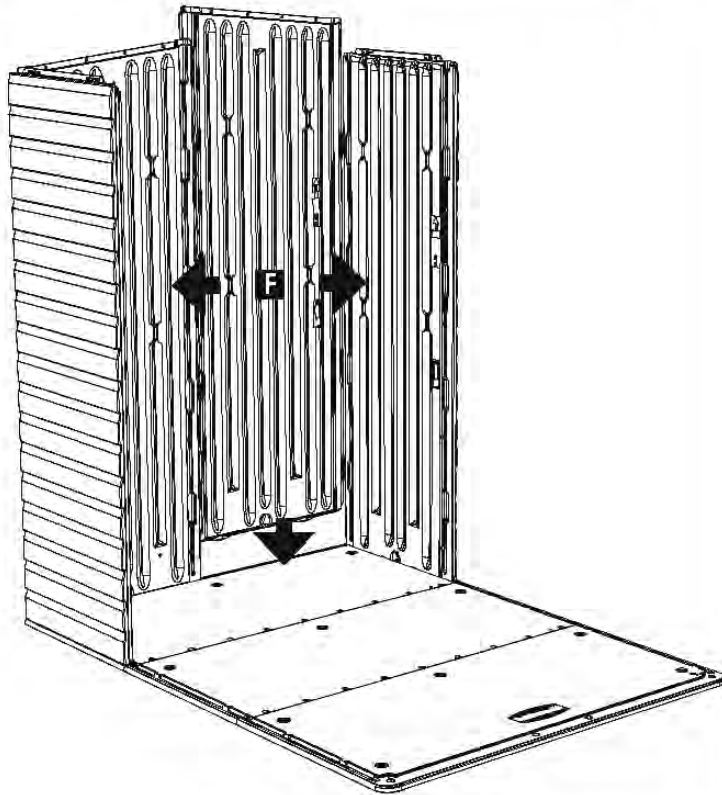
- b.** Emboîtez le côté droit répété (E) dans la position arrière du plancher répété (B).



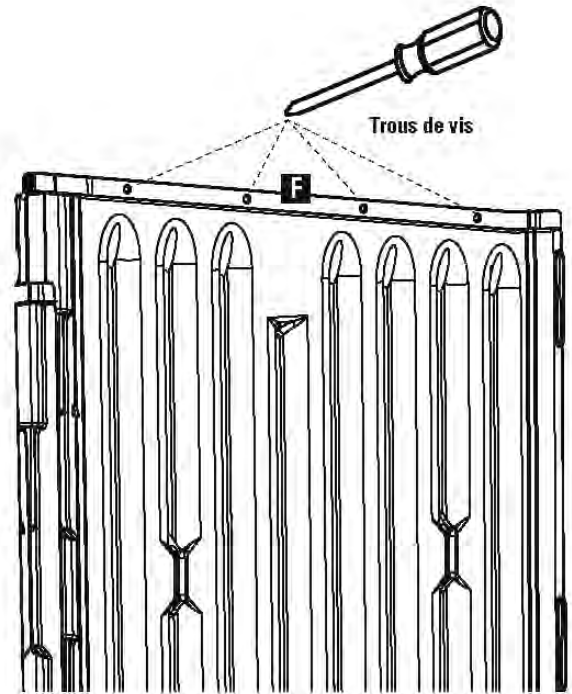
- c.** Tenez le côté droit répété (E) en position debout de façon à l'empêcher de tomber (jusqu'à ce que le panneau arrière droit (F) soit installé).



3.3 Installation de la paroi murale F

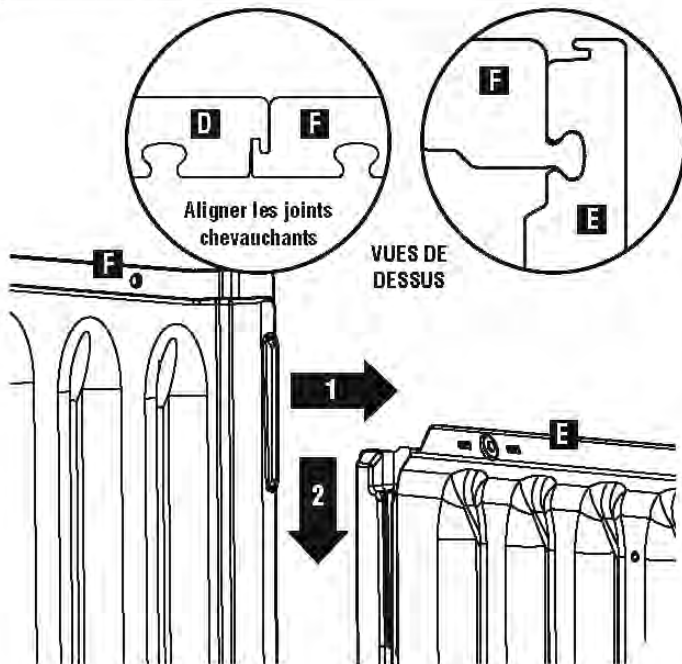


- a. Avec un tournevis, percez les trous de vis aux 4 emplacements sur le dessus du panneau arrière droit (F).

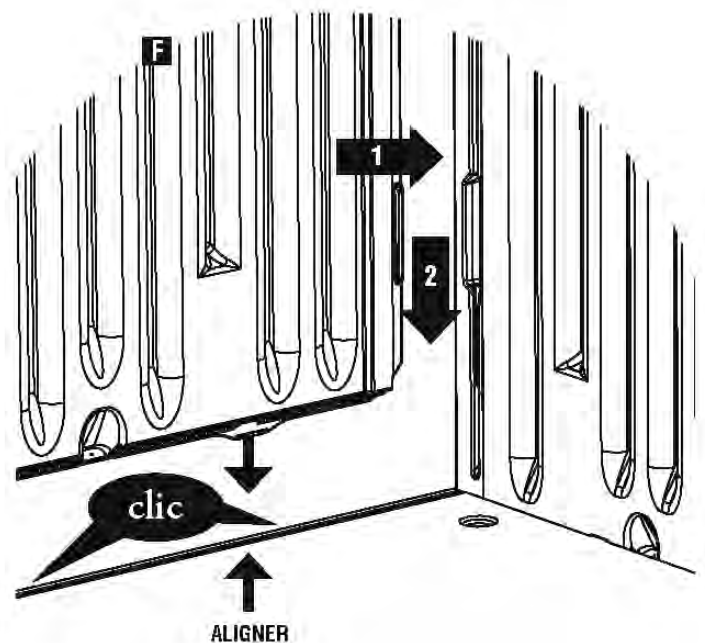


- b. Emboîtez le panneau arrière droit (F) dans les queues d'aronde du côté droit répété (E). Alignez le joint chevauchant entre le panneau arrière gauche (D) et le panneau arrière droit (F).

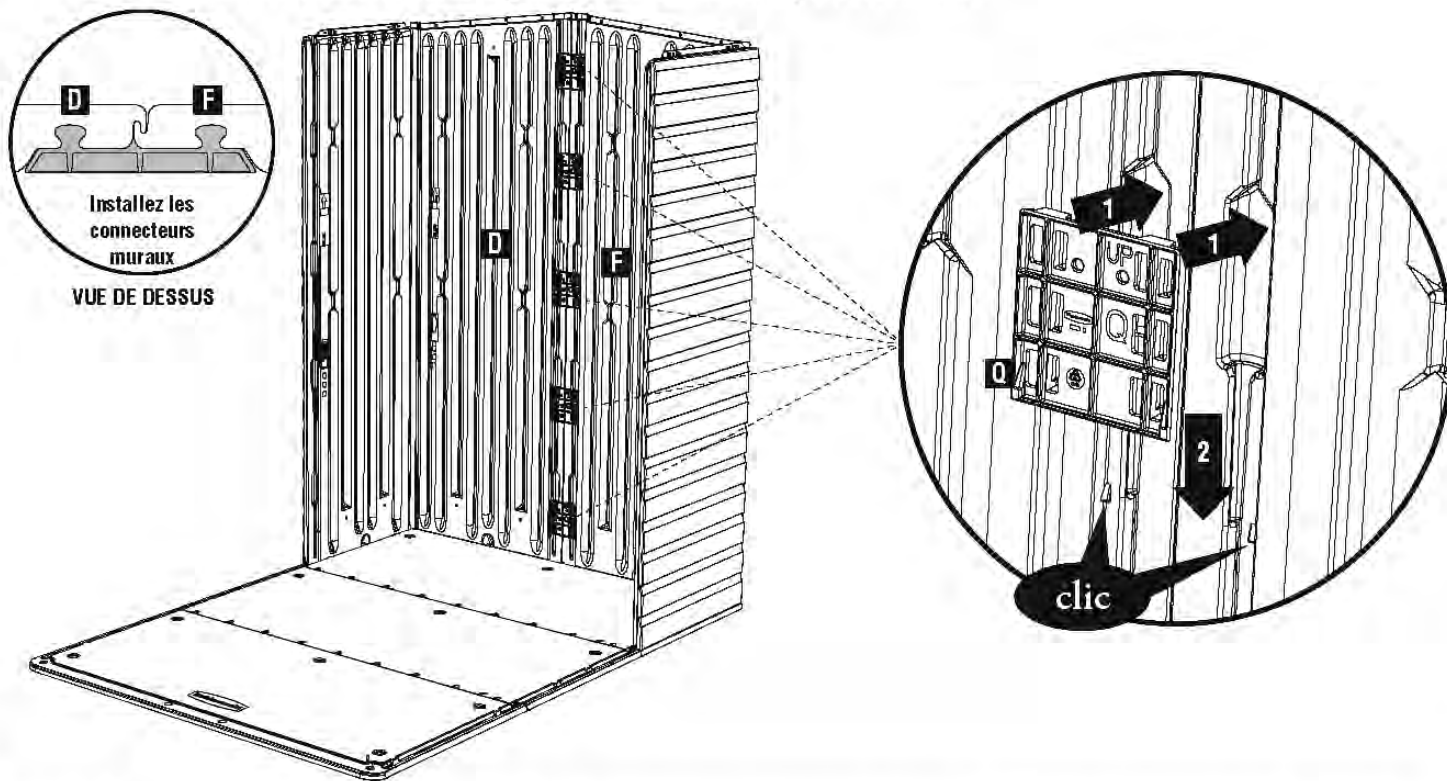
CONSEIL UTILE : Lubrifiez les queues d'aronde avec du savon liquide.



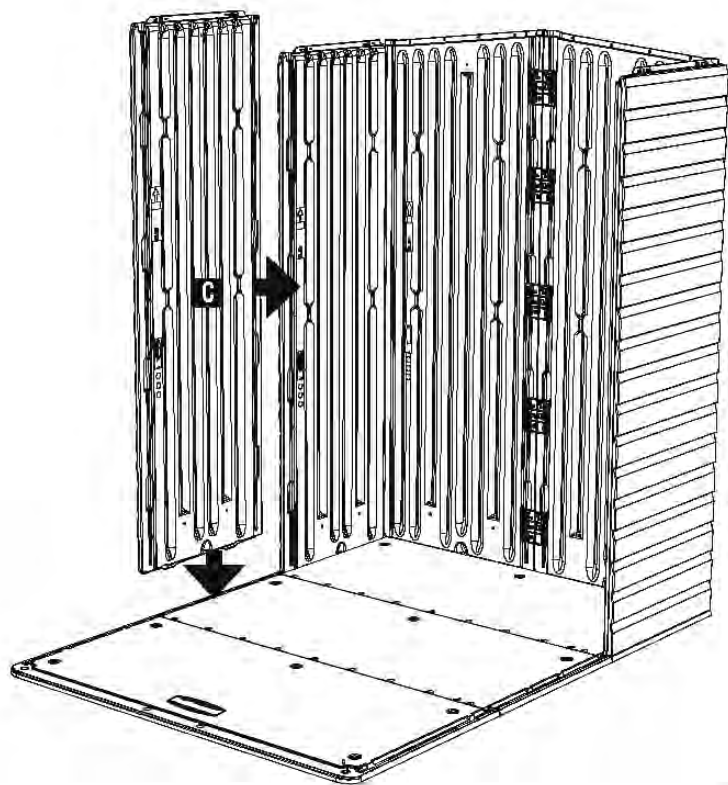
- c. Emboîtez les fermetures dans le bas du panneau arrière droit (F) dans le plancher répété (B).



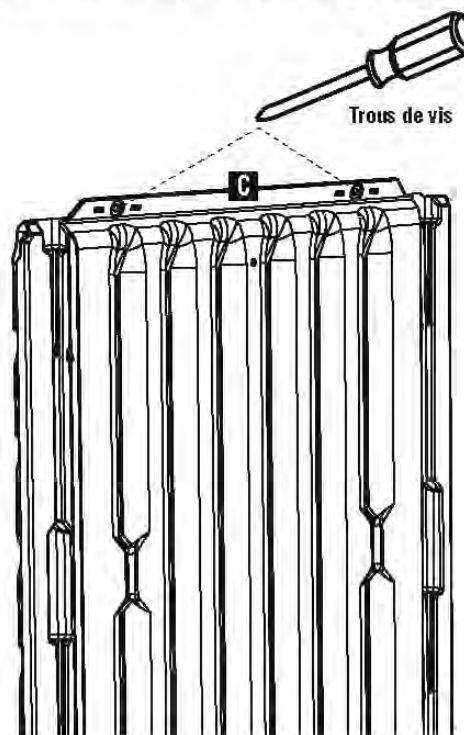
- d.** Installez un connecteur mural (Q) aux 5 endroits prévus, en connectant le panneau arrière gauche et le panneau arrière droit (D et F).
Placez les connecteurs dans les fentes et glissez-les vers le bas de façon à les emboîter.



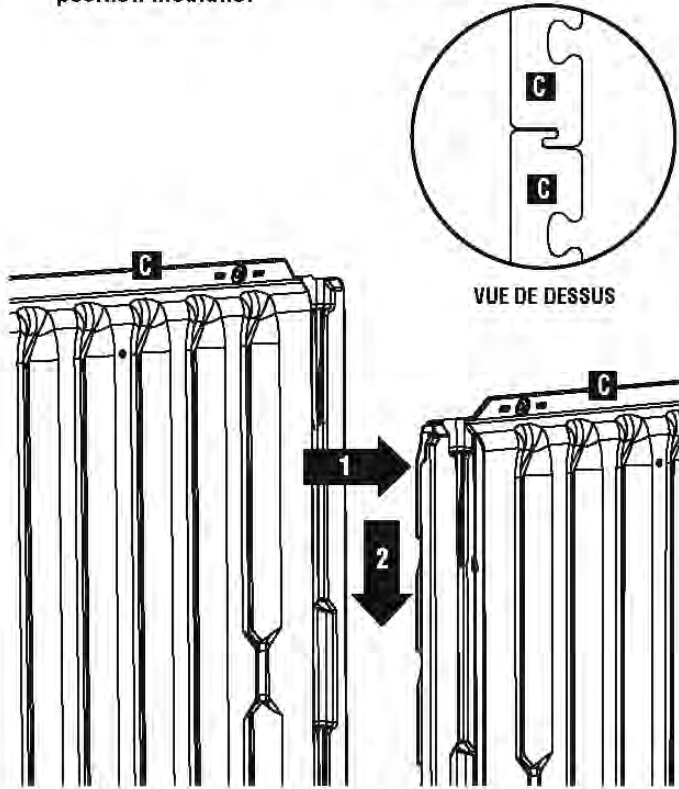
3.4 Installation de la paroi murale C (côté gauche répété)



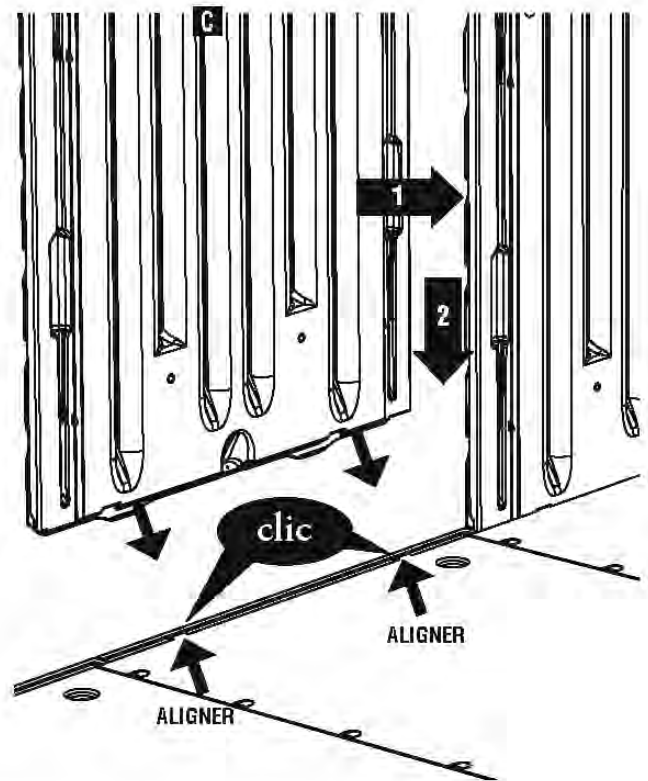
- a.** Avec un tournevis, percez les trous de vis aux 2 emplacements sur le dessus du côté gauche répété (C).



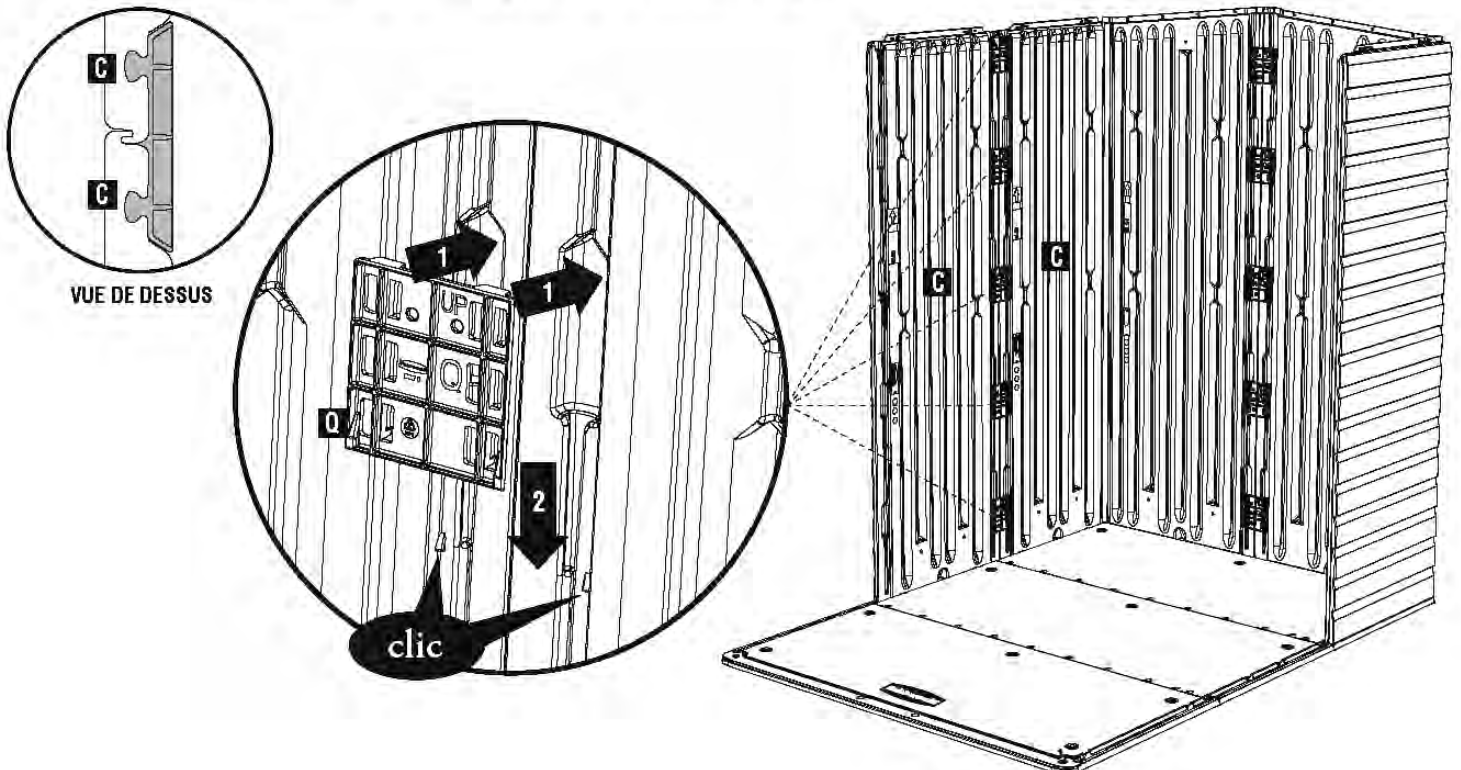
- b.** Alignez le joint chevauchant entre le côté gauche répété (C) de position médiane et le côté gauche répété (C) de position médiane.



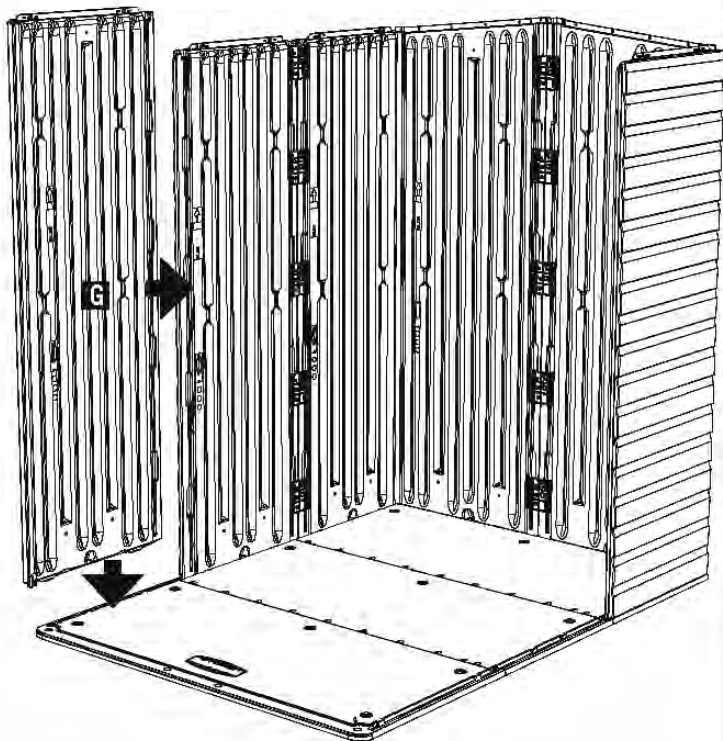
- c.** Emboîtez le côté gauche répété (C) de position médiane dans le plancher répété (B) de position médiane.



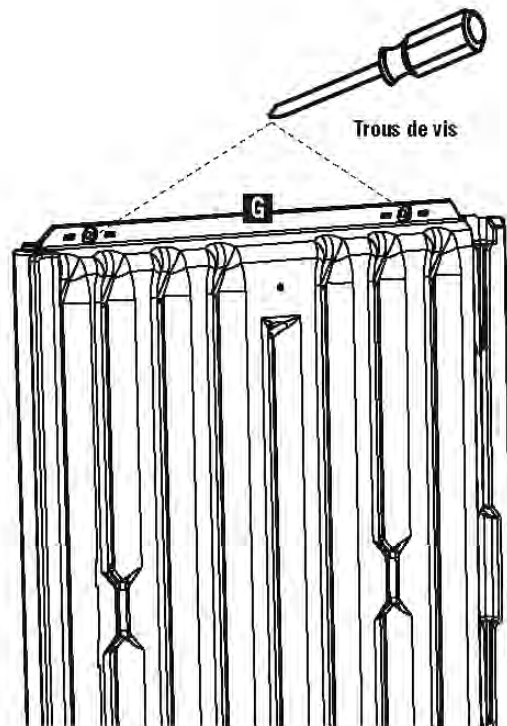
- d.** Installez un connecteur mural (Q) aux 5 endroits prévus, en connectant 2 côtés gauches répétés (C et C).
Placez les connecteurs dans les fentes et glissez-les vers le bas de façon à les emboîter.



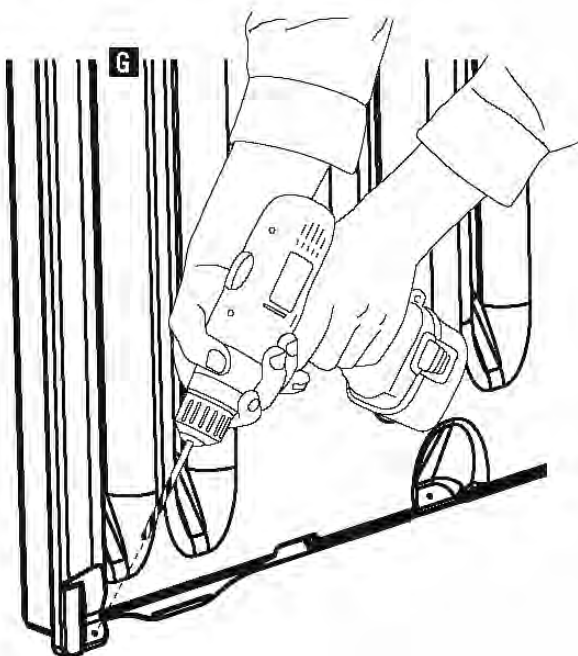
3.5 Installation de la paroi murale G



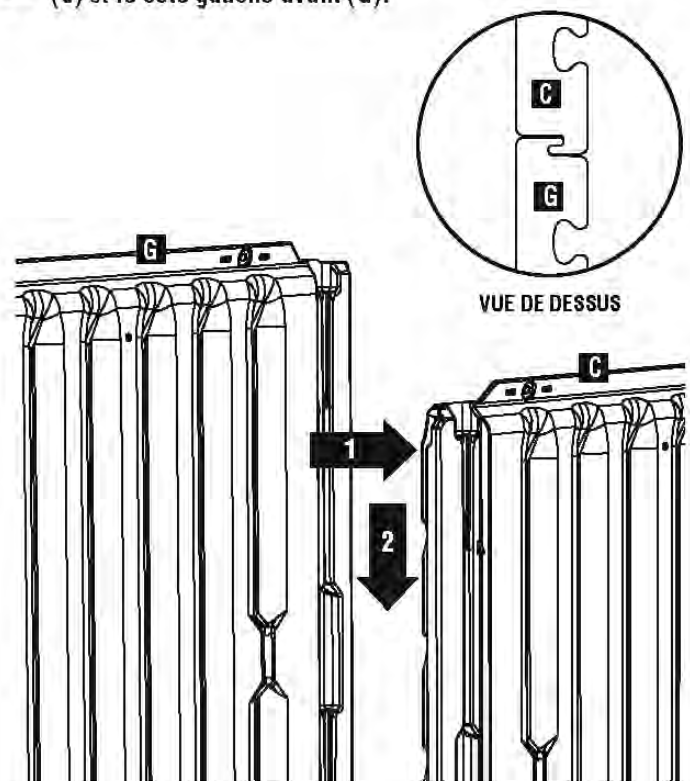
- a. Avec un tournevis, percez les trous de vis aux 2 emplacements sur le dessus du côté gauche avant (G).



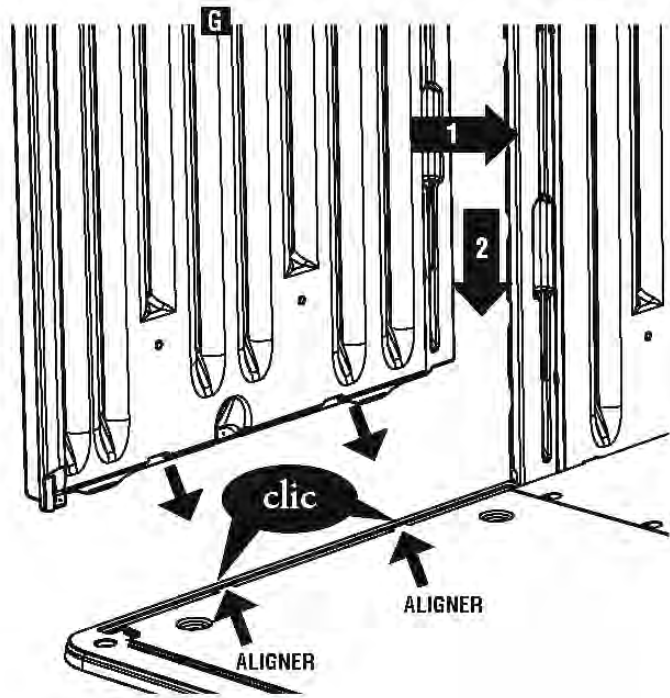
- b. Percez un trou de guidage (avec un foret de 1/8 po) dans le coin inférieur avant à l'endroit indiqué par la cible de vis. Remarque : Ce trou de guidage doit traverser les deux murs.



- c. Alignez le joint chevauchant entre le côté gauche répété (C) et le côté gauche avant (G).

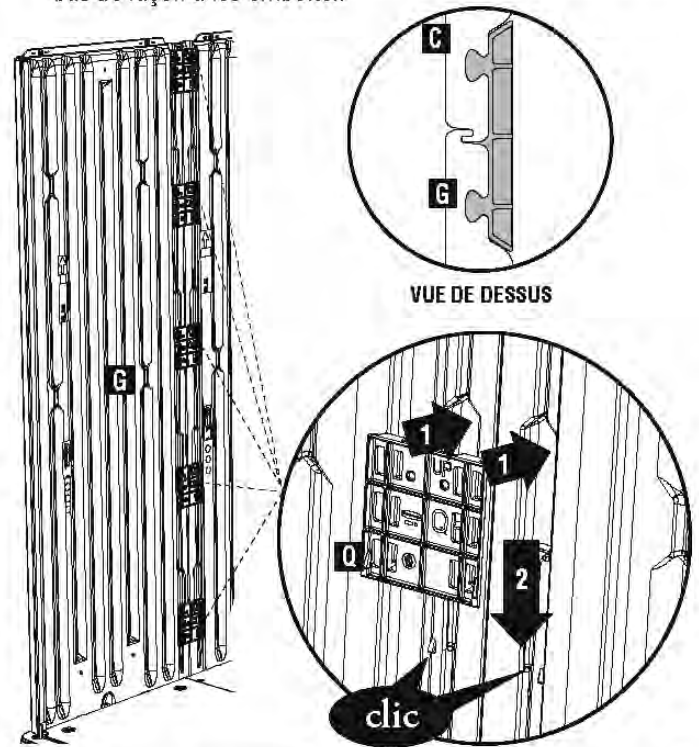


- d.** Emboîtez le côté gauche avant (G) dans le plancher avant (A).



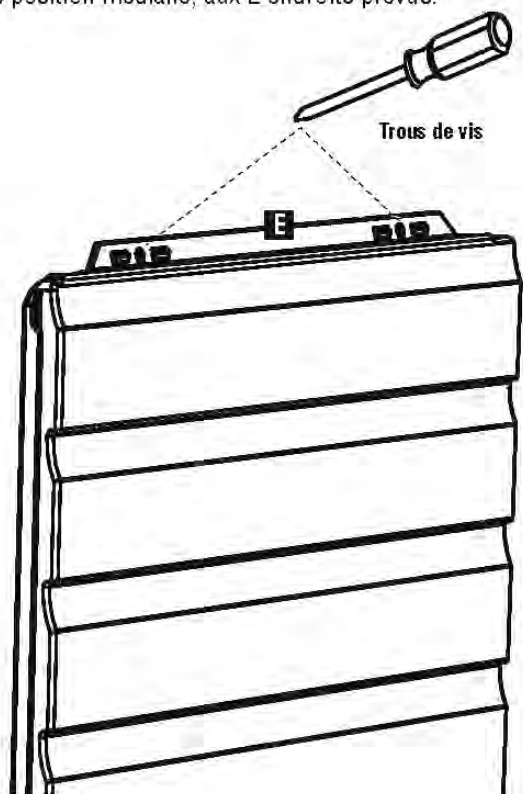
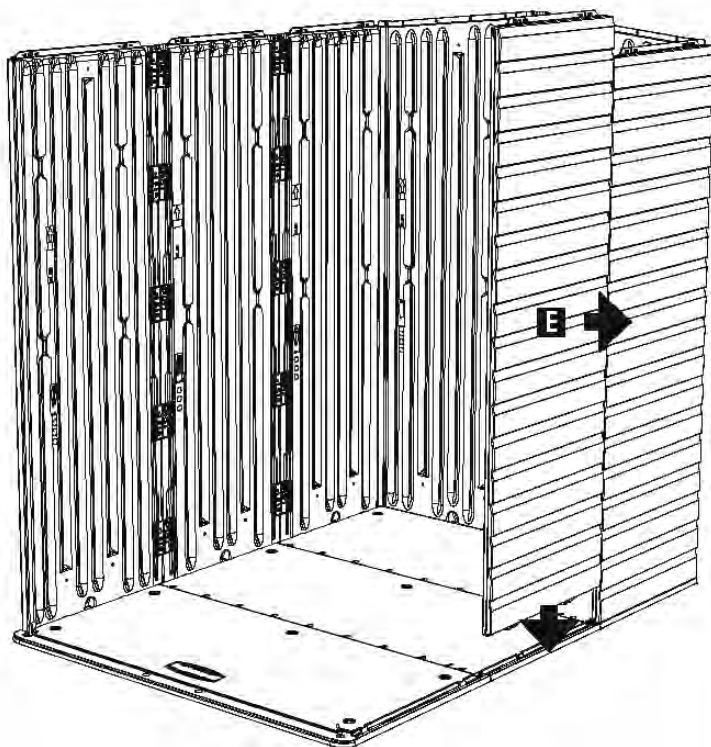
- e.** Installez un connecteur mural (Q) aux 5 endroits prévus, en connectant le côté gauche répété (C) et le côté gauche avant (G).

Placez les connecteurs dans les fentes et glissez-les vers le bas de façon à les emboîter.

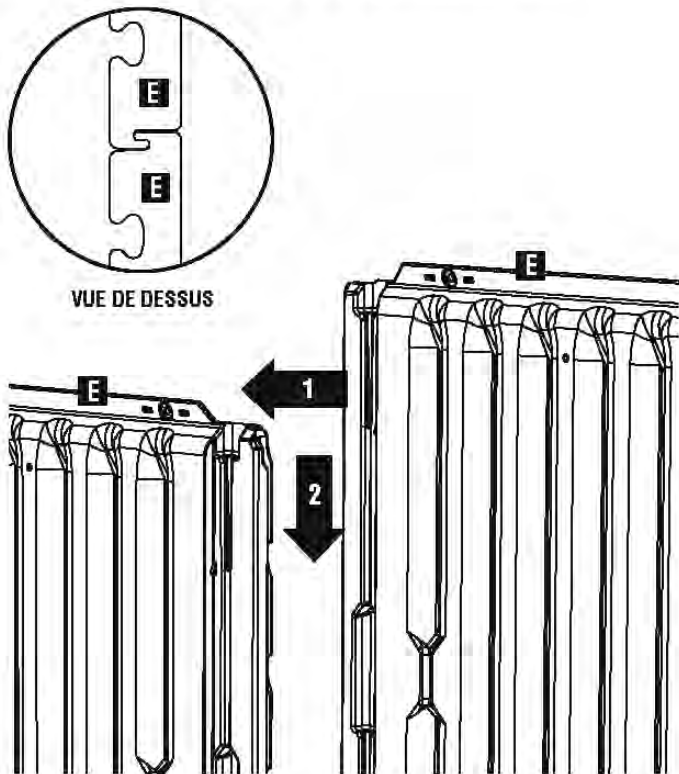


3.6 Installation de la paroi murale E (côté droit répété)

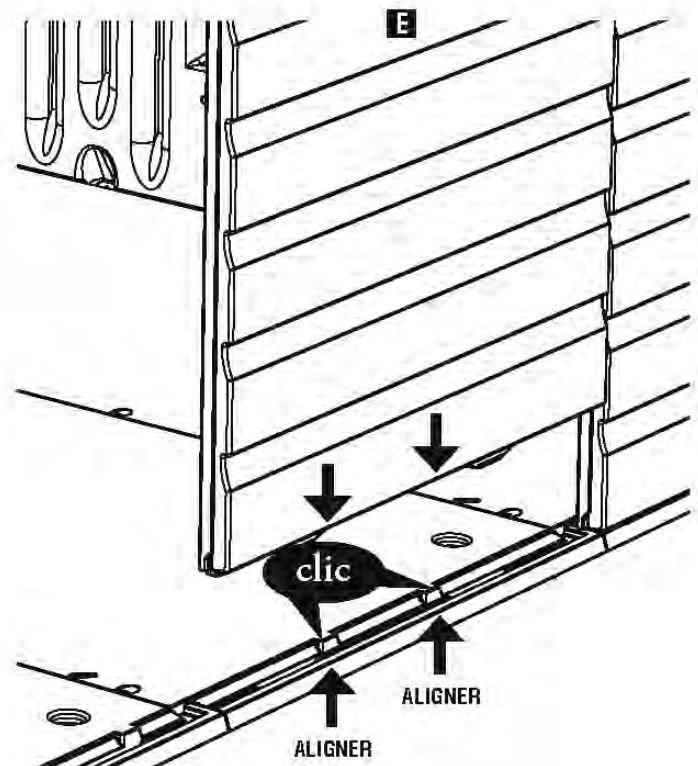
- a.** Avec un tournevis, percez les trous de vis aux 2 emplacements sur le dessus du côté droit répété (E) de position médiane, aux 2 endroits prévus.



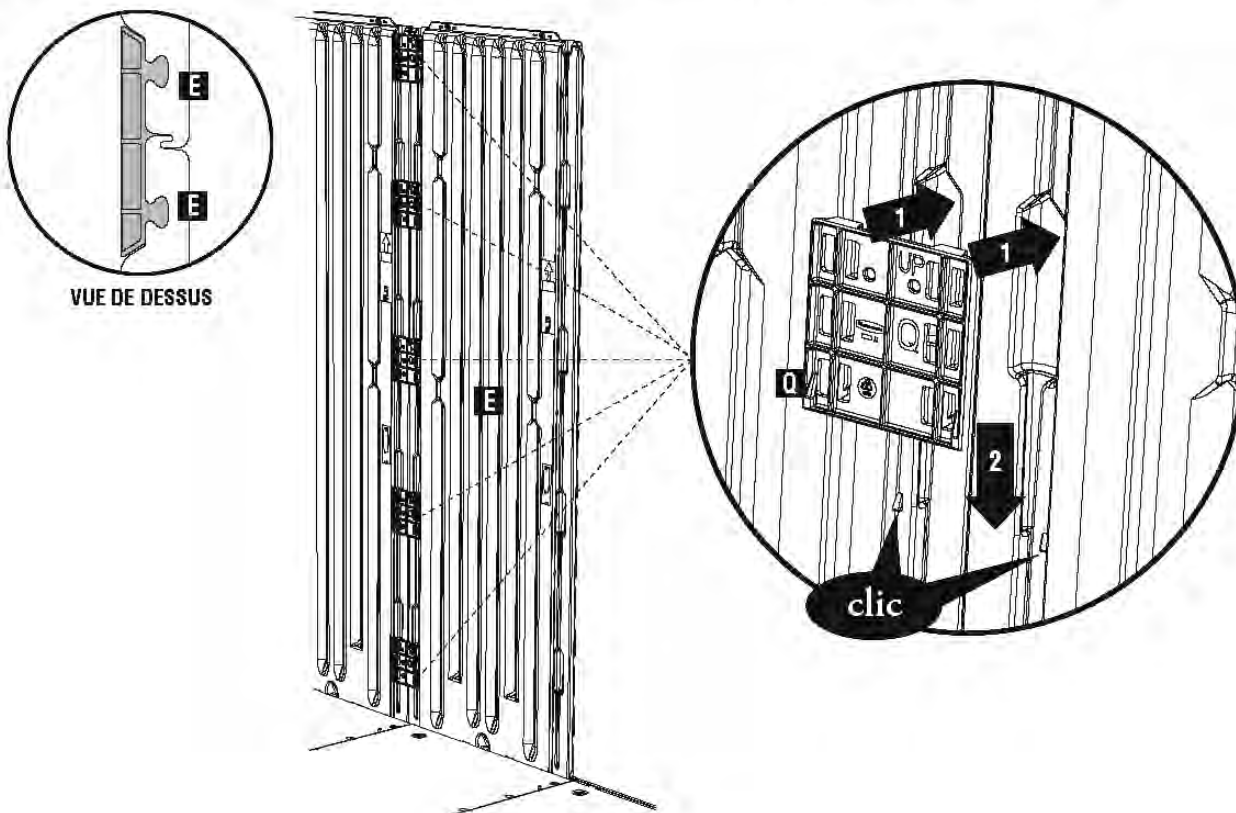
- b.** Alignez le joint chevauchant entre le côté droit répété (E) et le côté droit répété (E) de position médiane.



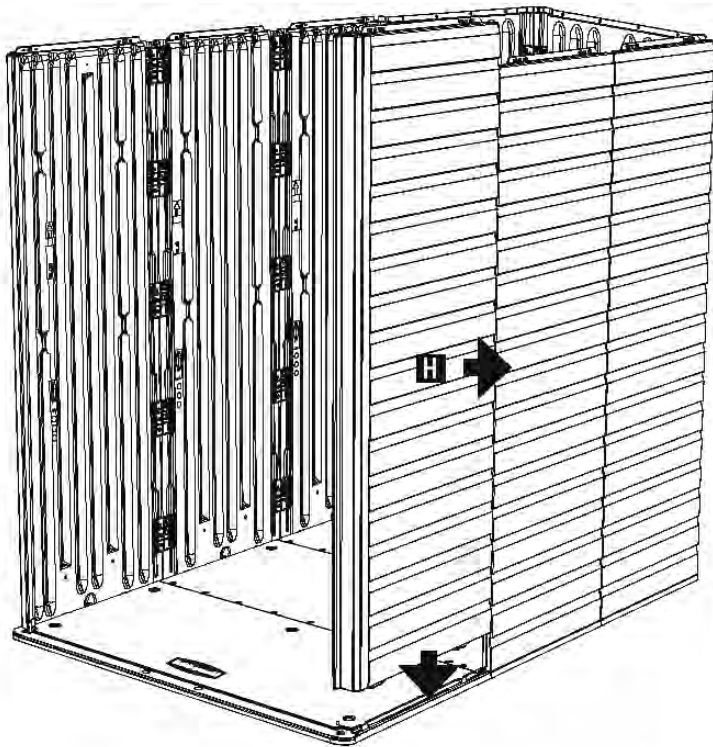
- c.** Emboîtez le côté droit répété (E) de position médiane dans le plancher répété (B) de position médiane.



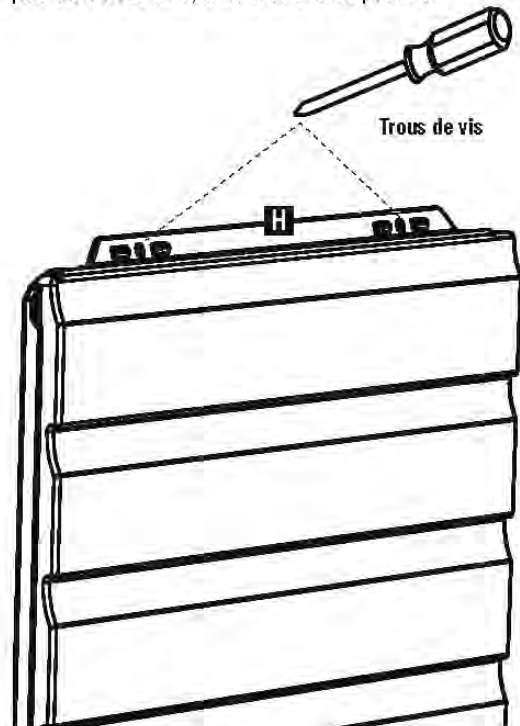
- d.** Installez un connecteur mural (Q) aux 5 endroits prévus, en connectant le côté droit répété (E) et le côté droit répété (E) de position médiane. Placez les connecteurs dans les fentes et glissez-les vers le bas de façon à les emboîter.



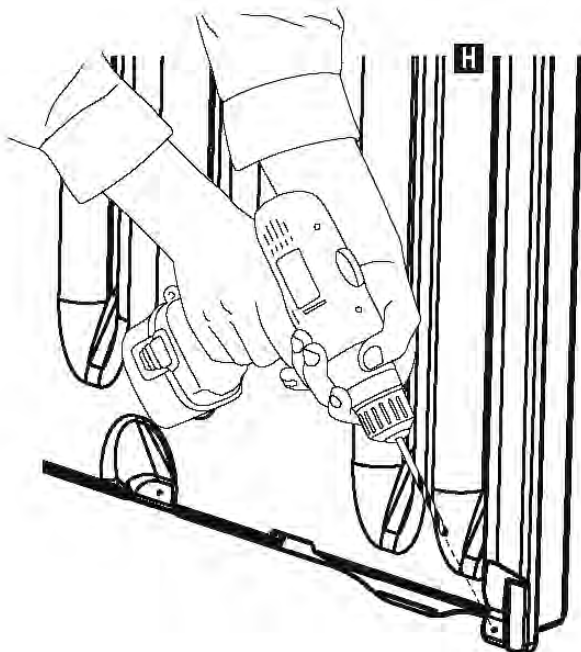
3.7 Installation de la paroi murale H



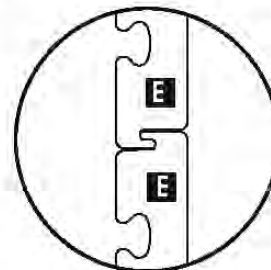
- a. Avec un tournevis, percez les trous de vis aux 2 emplacements sur le dessus du côté droit avant (H) de position médiane, aux 2 endroits prévus.



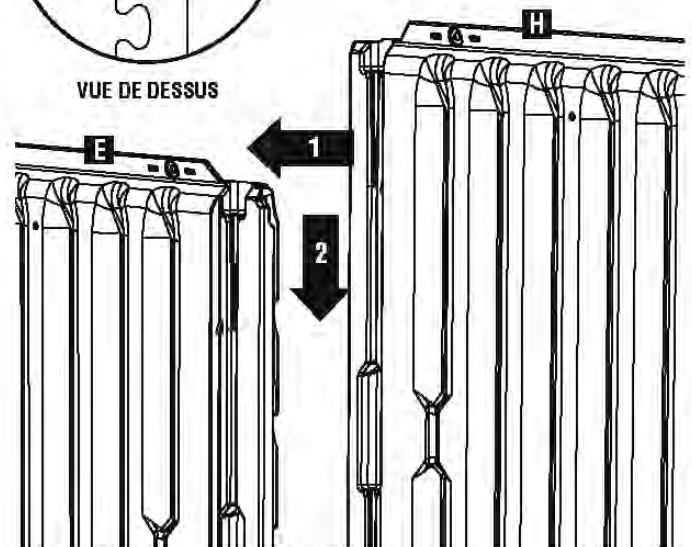
- b. Percez un trou de guidage (avec un foret de 1/8 po) dans le coin inférieur avant à l'endroit indiqué par la cible de vis. Remarque : Ce trou de guidage doit traverser les deux murs.



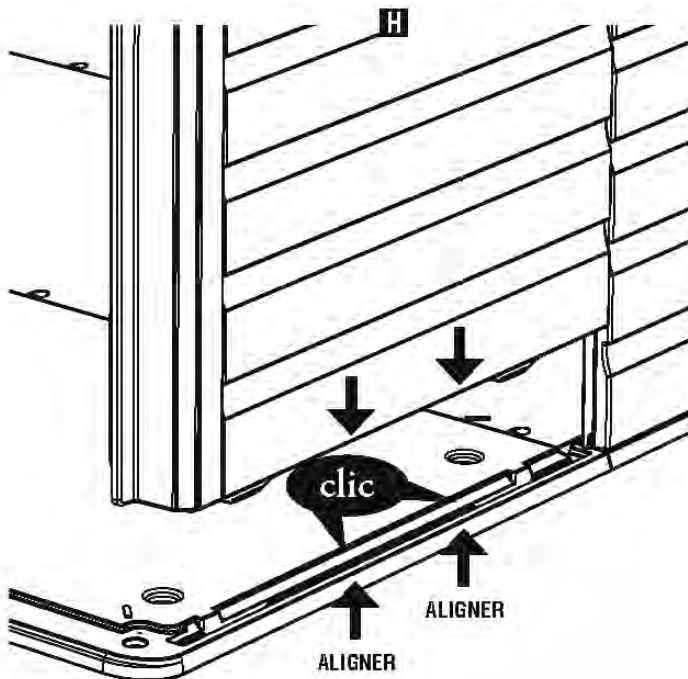
- c. Alignez le joint chevauchant entre le côté droit avant (H) et le côté droit répété (E).



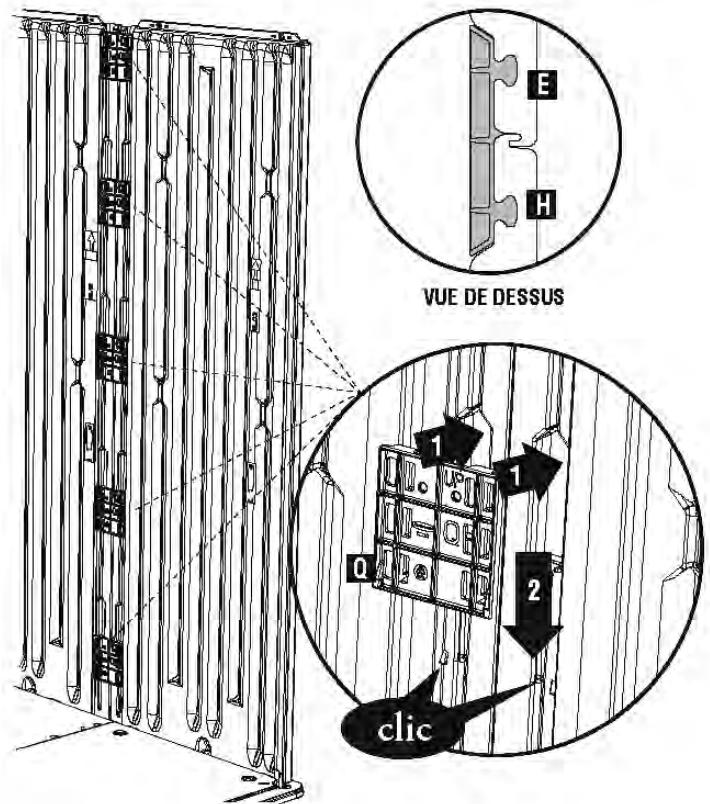
VUE DE DESSUS



d. Emboîtez le côté droit avant (H) dans le plancher avant (A).

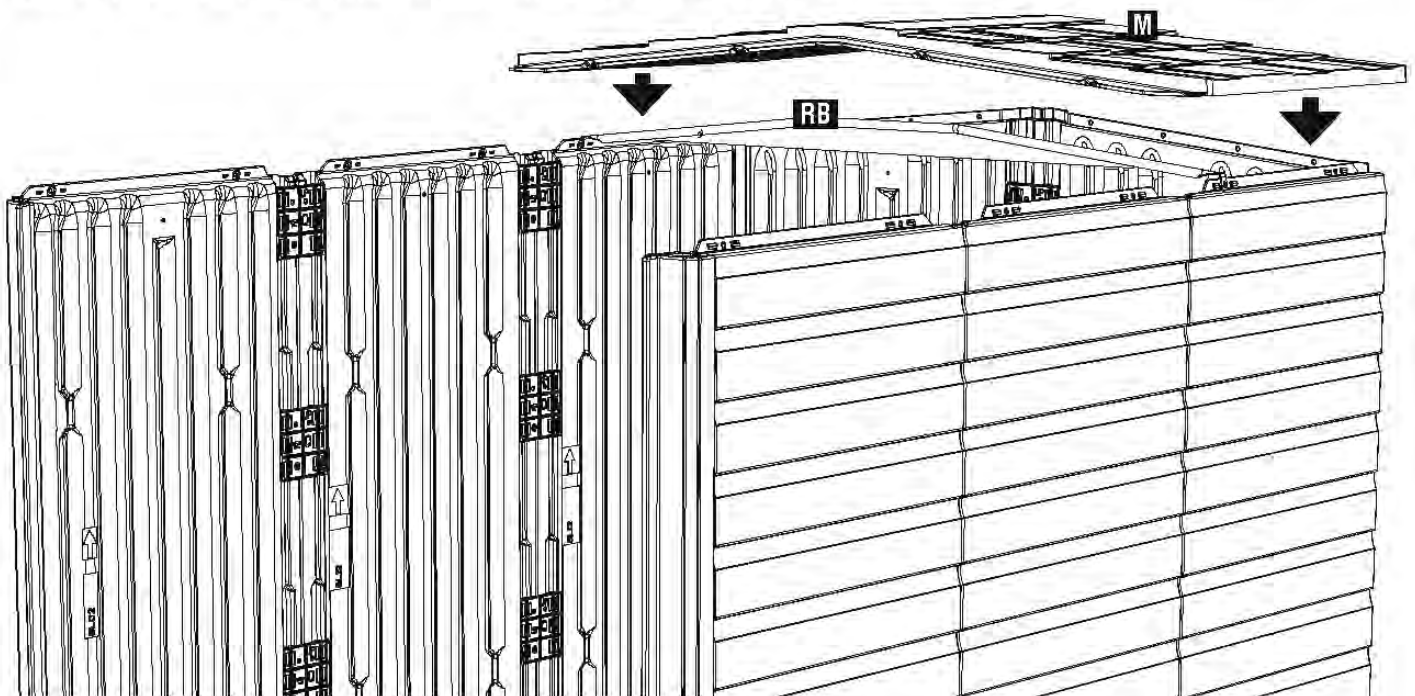


e. Installez un connecteur mural (Q) aux 5 endroits prévus, en connectant le côté droit répété (E) de position médiane et le côté droit avant (E).

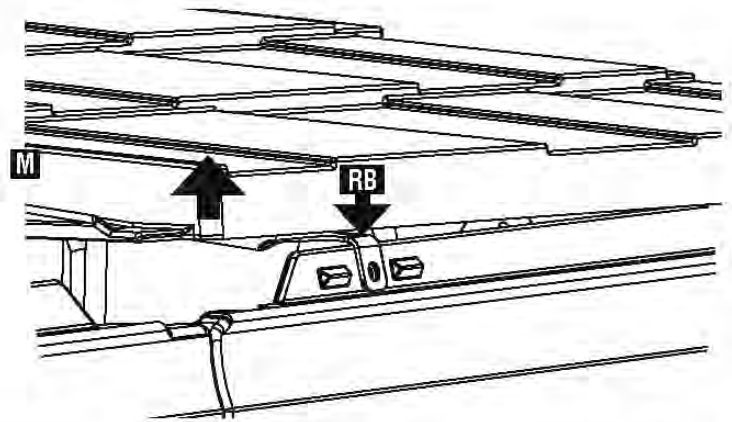


4.0 Installation de la paroi murale M (position arrière)

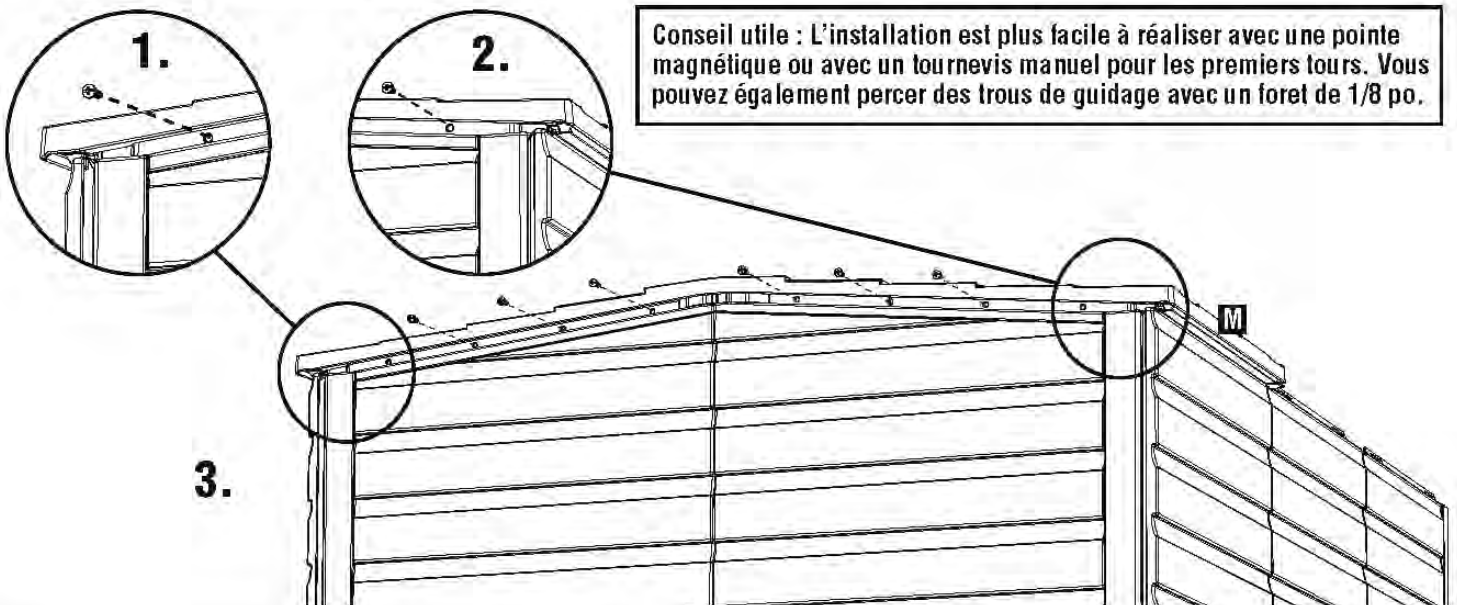
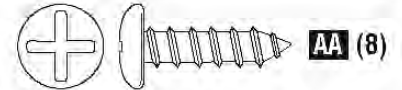
a. Installez une pièce de toit répété (M) sur la section arrière. Le rebord chevauchant du toit pointe vers l'arrière de la remise. Alignez les languettes sur le dessus du mur arrière avec l'extérieur du chevauchement de panneau de toit. Alignez les languettes sur le dessus des murs latéraux dans les rainures du toit.



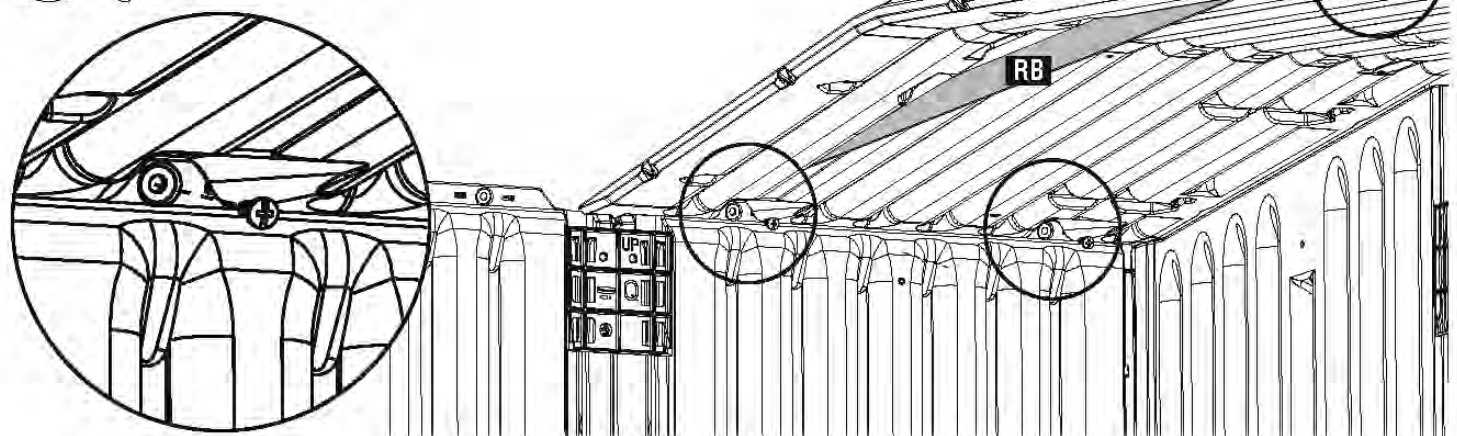
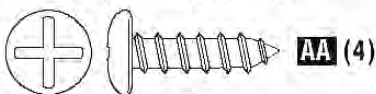
- b.** Relevez légèrement le bord avant du toit, suffisamment pour permettre le positionnement du **bras d'appui du toit (RB)** sur les murs latéraux conformément à l'illustration. Descendez le toit sur les murs et alignez le **bras d'appui du toit (RB)** dans la poche du **toit répété (M)**.



- c.** Assurez-vous que le **toit répété (M)** est placé contre les languettes du mur arrière. Depuis l'extérieur de la remise, installez une **vis (AA)** sur chaque coin. Lorsque vous installez les vis, tenez les bords du toit fermement vers le bas sur les coins. Installez les vis restantes sur les derniers emplacements des murs arrière.

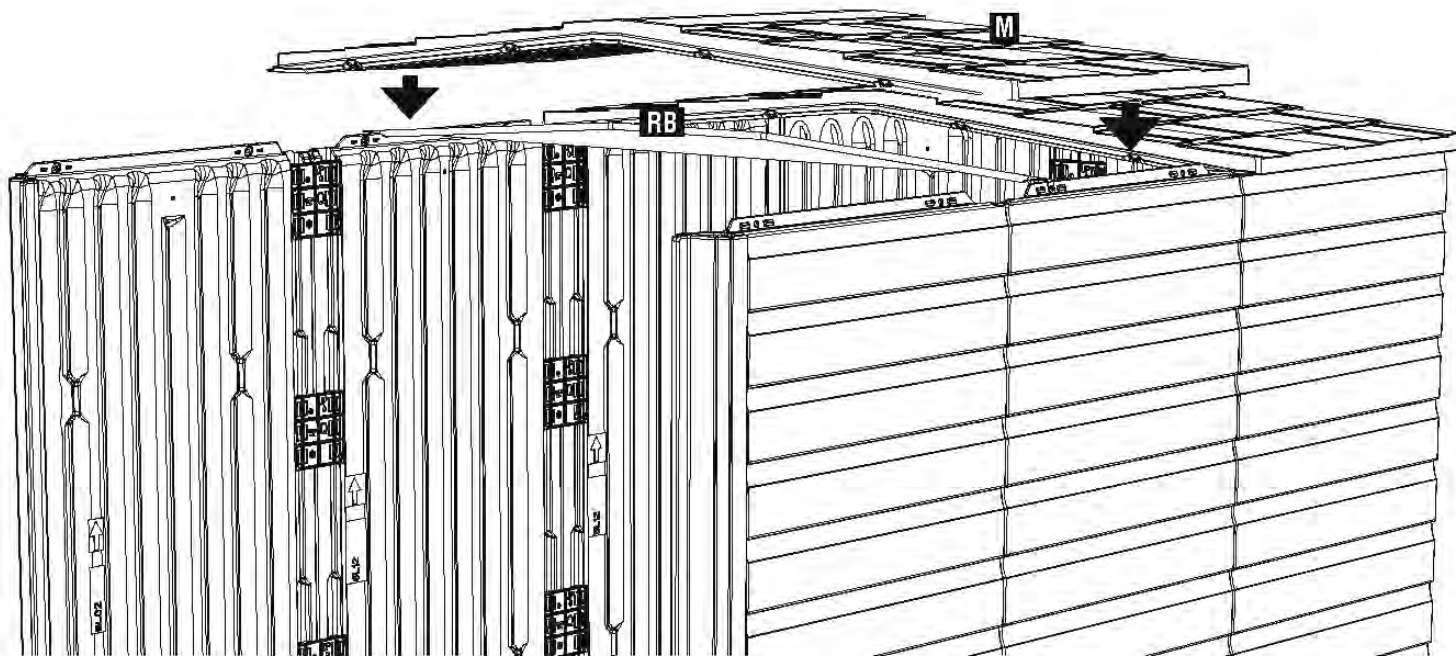


- d.** Depuis l'intérieur de la remise, installez quatre **vis (AA)** dans le toit à chaque emplacement prévu sur les parois latérales. Remarque : Les vis doivent également traverser le **bras d'appui du toit (RB)** sur chaque extrémité afin de faire solidement tenir le toit! Une deuxième personne placée à l'extérieur de la remise doit tenir fermement le bord du toit sur chaque emplacement de vis.

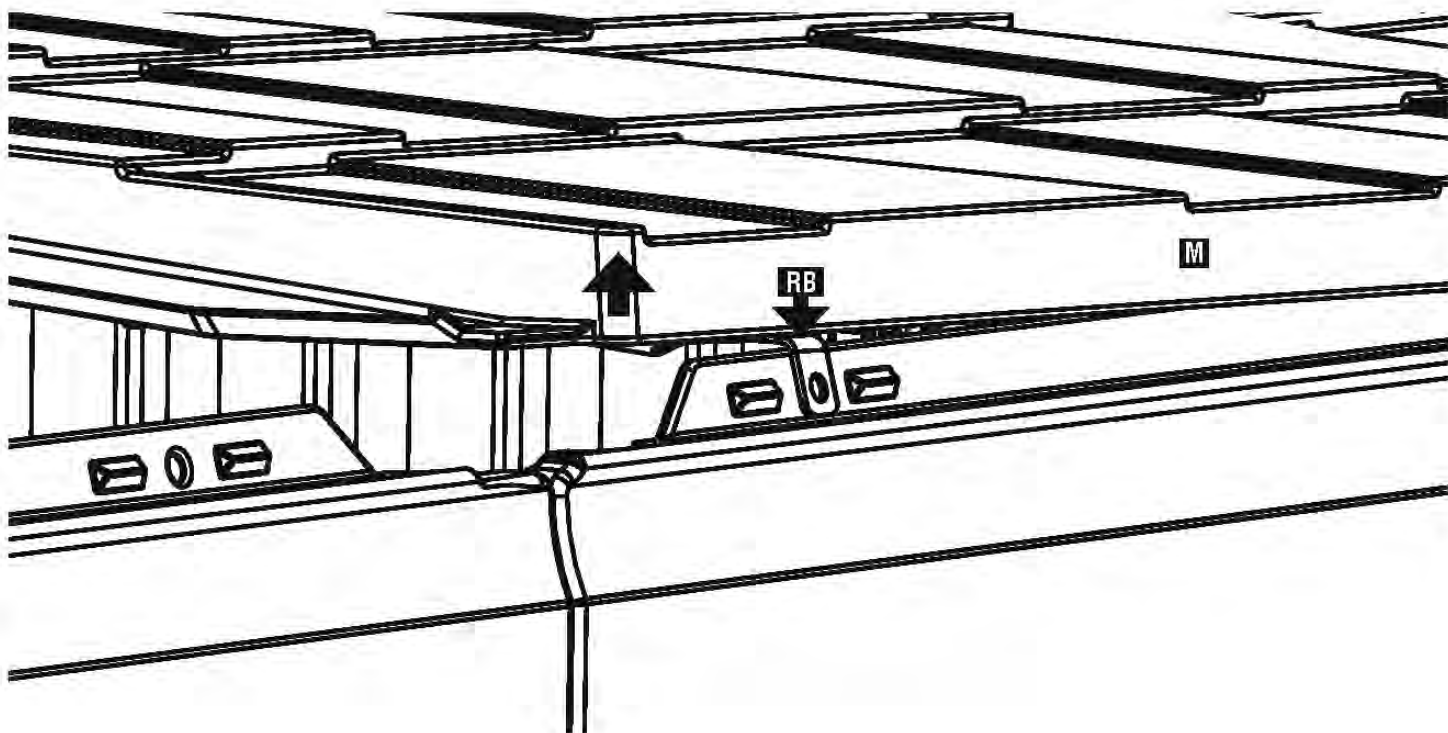


4.1 Installation de la paroi murale M (position médiane)

- a. Installez une pièce de **toit répété (M)** sur la section médiane. Le rebord chevauchant du toit pointe vers l'arrière de la remise. Alignez les languettes sur le dessus des murs latéraux dans les rainures du toit.



- b. Relevez légèrement le bord avant du toit, suffisamment pour permettre le positionnement du **bras d'appui du toit (RB)** sur les murs latéraux conformément à l'illustration. Descendez le toit sur les murs et alignez le **bras d'appui du toit (RB)** dans la poche du **toit répété (M)**.

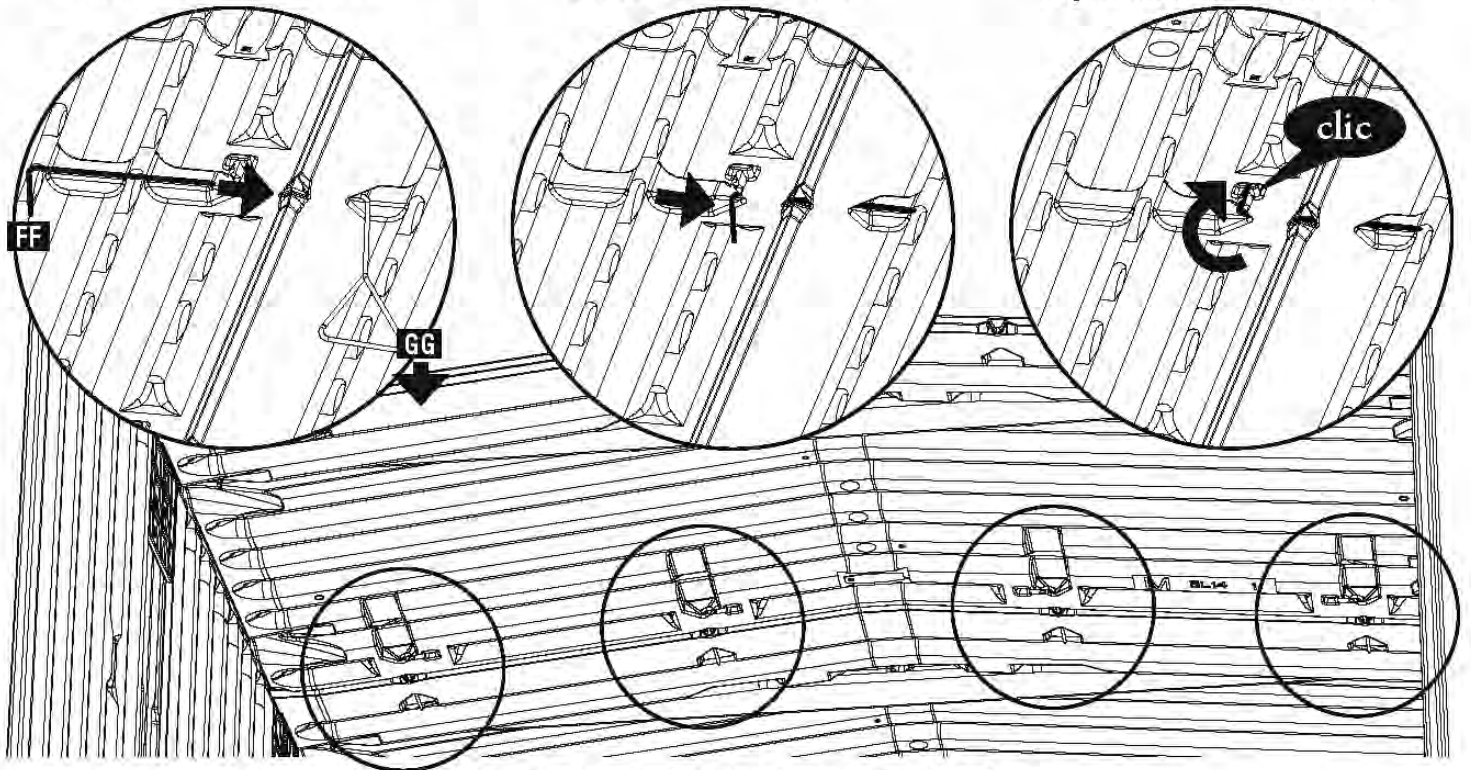


- C.** Assurez-vous que le **toit répété (M)** de position médiane est solidement appuyé contre l'arrière de la section du **toit répété (M)**.
 Installez les **chevilles de toit (FF)** aux 4 endroits prévus. Si nécessaire, utilisez l'**outil d'assemblage pour chevilles de toit (GG)** pour tirer les panneaux de toit vers le bas.

1. Insérez la cheville dans la fente.

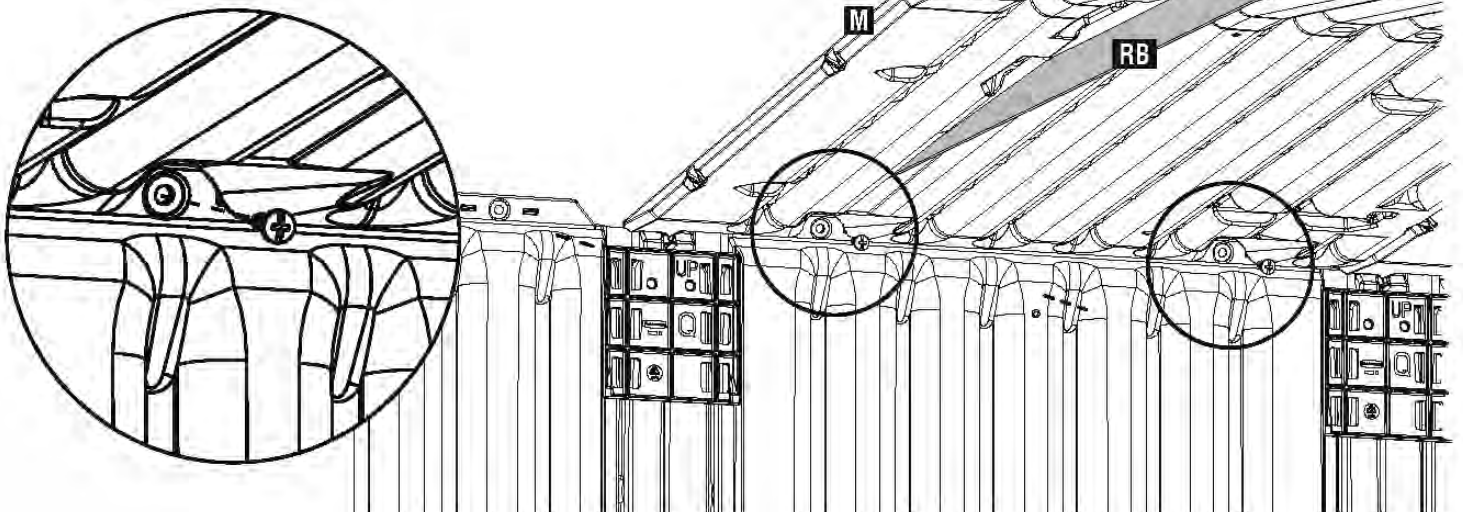
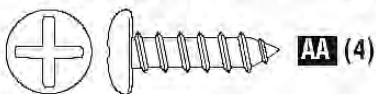
2. Poussez jusqu'au bout.

3. Faites tourner la tête pour qu'elle soit à égalité avec la surface du toit.



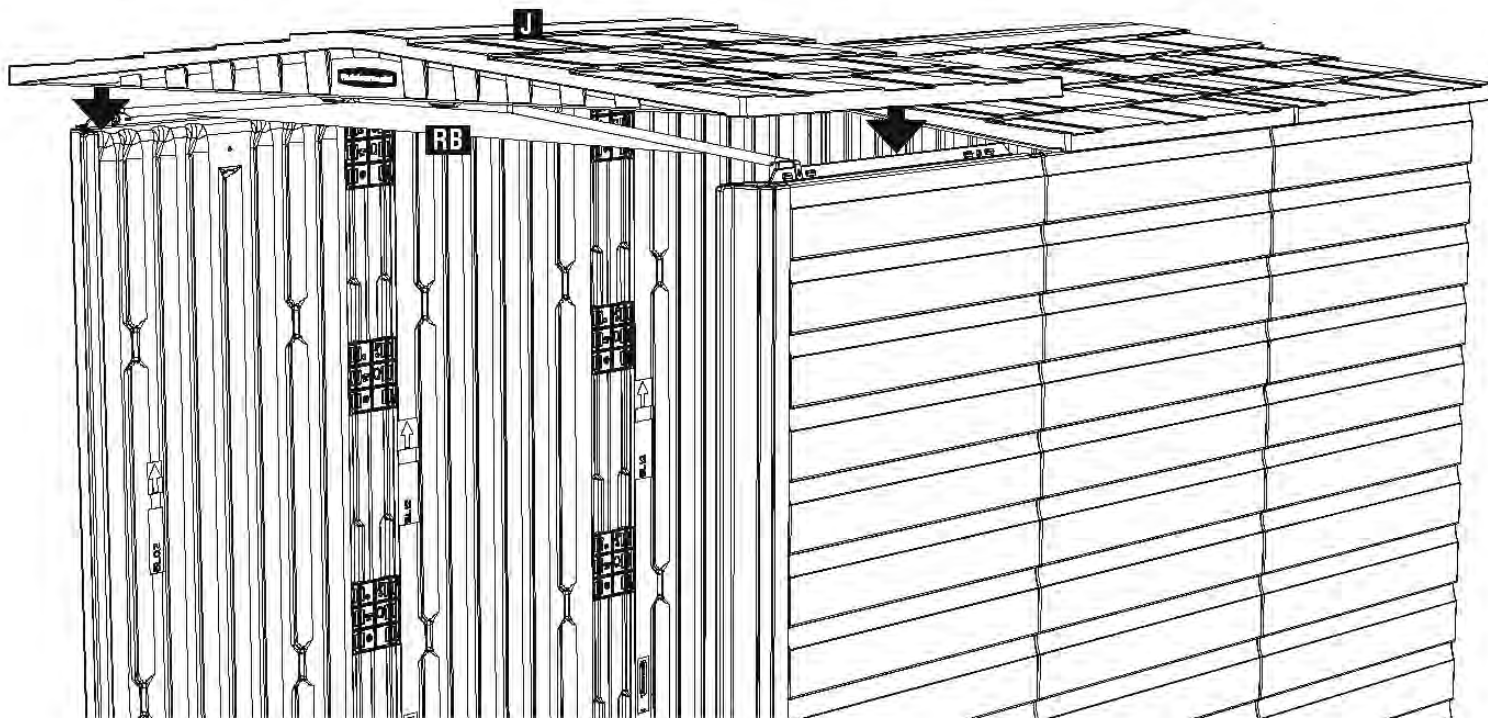
Installez les chevilles de toit aux 4 endroits prévus.

- d.** Depuis l'intérieur de la remise, installez quatre **vis (AA)** dans le toit à chaque emplacement prévu sur les parois latérales.
Remarque : Les vis doivent également traverser le bras d'appui du toit (**RB**) sur chaque extrémité afin de faire solidement tenir le toit!
 Une deuxième personne placée à l'extérieur de la remise doit tenir fermement le bord du toit sur chaque emplacement de vis.

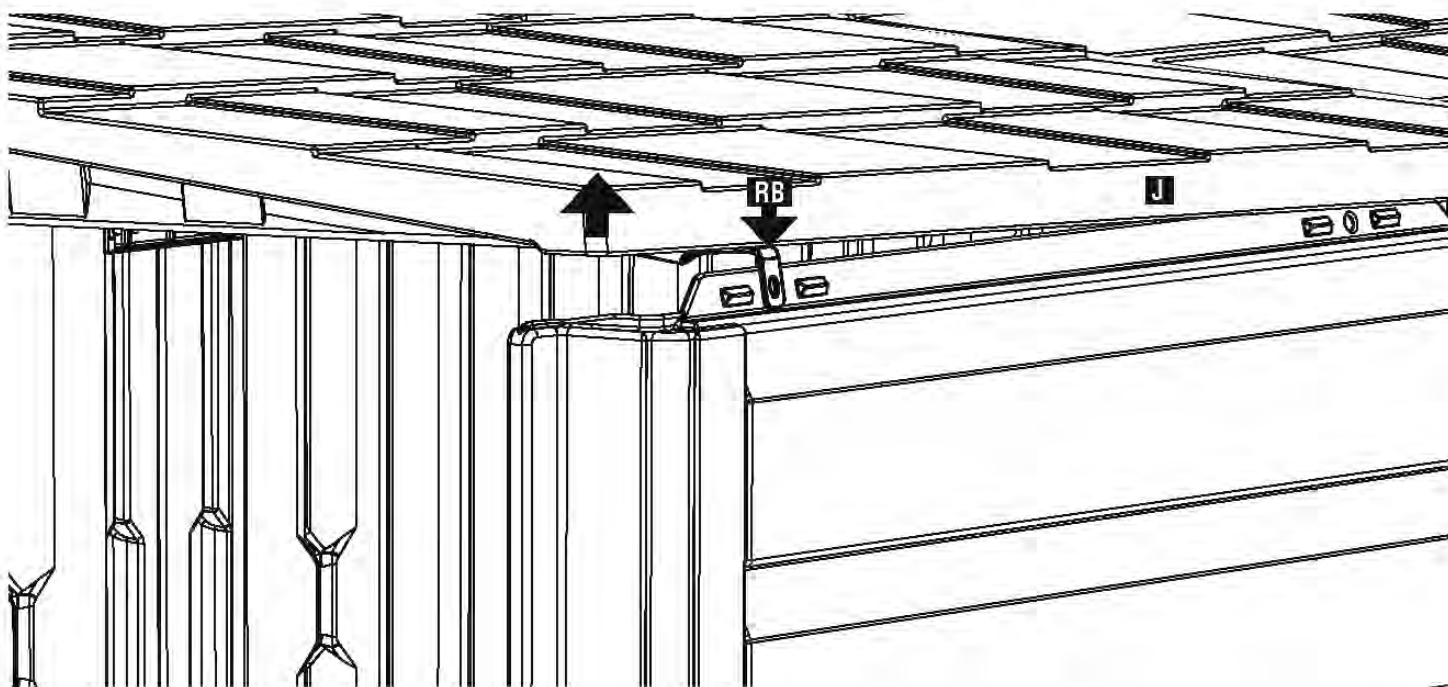


4.2 Installation de la paroi murale J (position avant) et de la porte

- a. Installez une pièce de **toit avant (J)** sur la section avant : le rebord du pignon de toit doit être orienté vers l'avant de la remise. Alignez les languettes sur le dessus des murs latéraux dans les rainures du toit.



- b. Relevez légèrement le bord avant du toit, suffisamment pour permettre le positionnement du **bras d'appui du toit (RB)** sur les murs latéraux conformément à l'illustration. Descendez le toit sur les murs et alignez le **bras d'appui du toit (RB)** dans la poche du **toit avant (J)**.

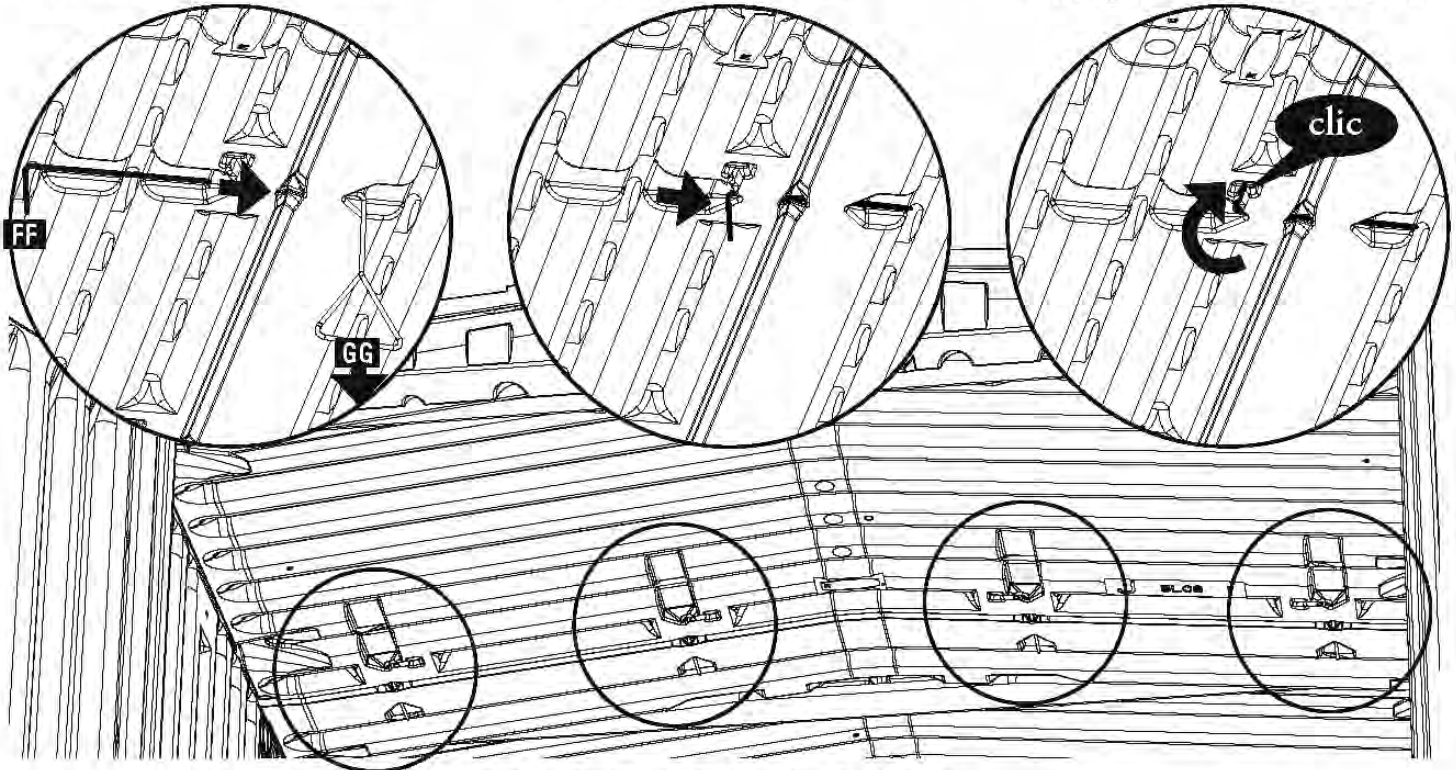


c. Assurez-vous que le **toit avant (J)** est solidement appuyé contre le milieu de la section du **toit répété (M)**.
 Installez les **chevilles de toit (FF)** aux 4 endroits prévus. Si nécessaire, utilisez l'**outil d'assemblage pour chevilles de toit (GG)** pour tirer les panneaux de toit vers le bas.

1. Insérez la cheville dans la fente.

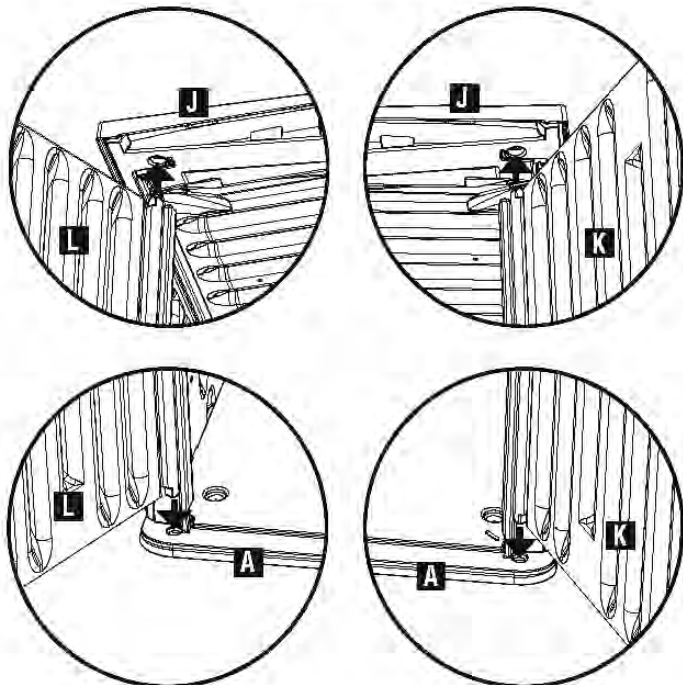
2. Poussez jusqu'au bout.

3. Faites tourner la tête pour qu'elle soit à égalité avec la surface du toit.

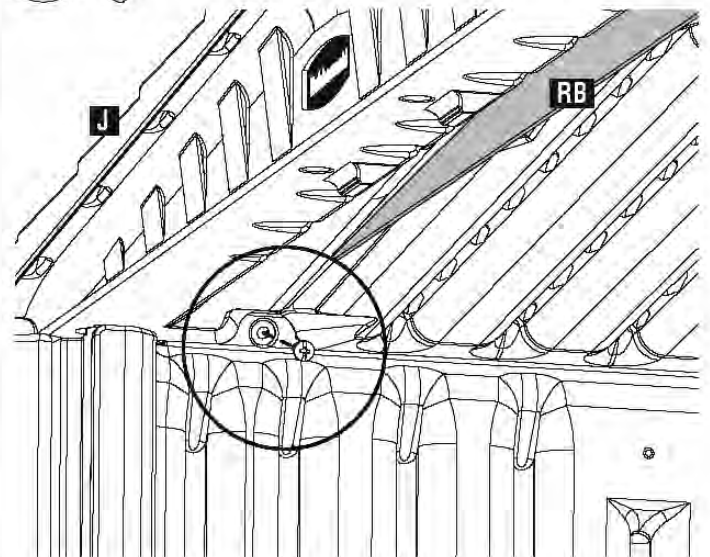
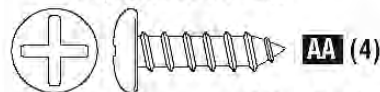


Installez les chevilles de toit aux 4 endroits prévus.

d. Installez la **porte gauche (L)** et la **porte droite (K)** dans les ouvertures de charnière du **plancher avant (A)** et les douilles de charnière dans le **toit avant (J)**.
Remarque : Relevez le bord avant du toit juste ce qu'il faut pour installer les chevilles de charnières.



e. Depuis l'intérieur de la remise, installez quatre **vis (AA)** dans le toit à chaque emplacement prévu sur les parois latérales.
Remarque : Les vis doivent également traverser le **bras d'appui du toit (RB)** sur chaque extrémité afin de faire solidement tenir le toit!
 Une deuxième personne placée à l'extérieur de la remise doit tenir fermement le bord du toit sur chaque emplacement de vis.

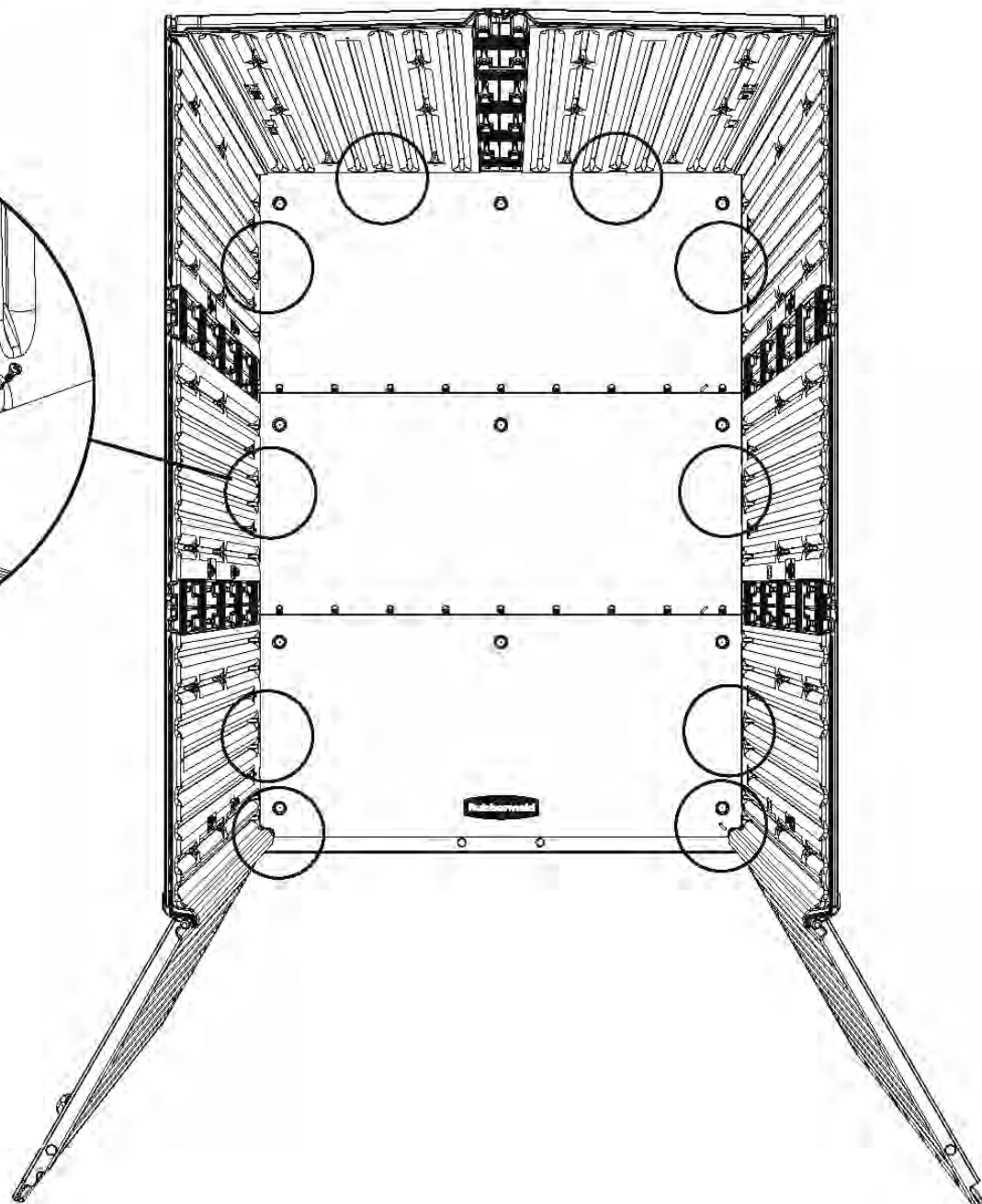
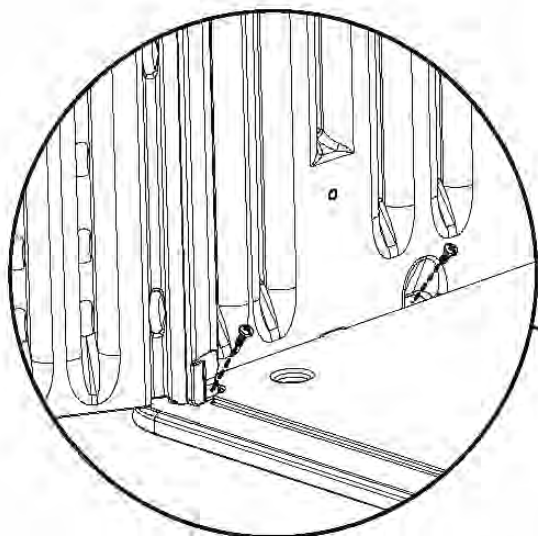
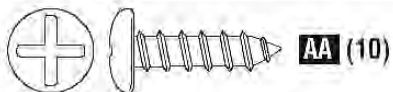


5.0 Installation des éléments de finition

- a.** Installez des vis (AA) aux 10 endroits indiqués dans le bas des parois murales pour retenir les murs sur le plancher.

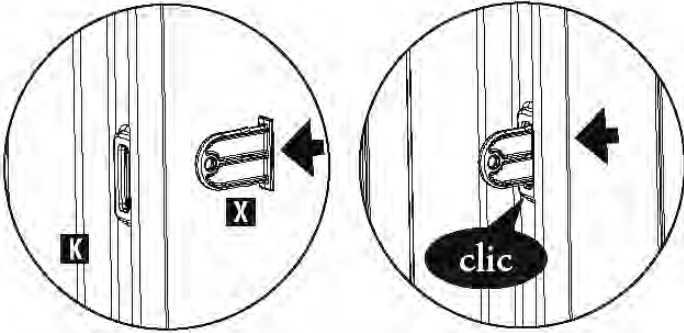
CONSEIL UTILE : Vous pouvez percer des trous de guidage pour les vis.

ATTENTION : Faites attention de ne pas trop serrer les vis.

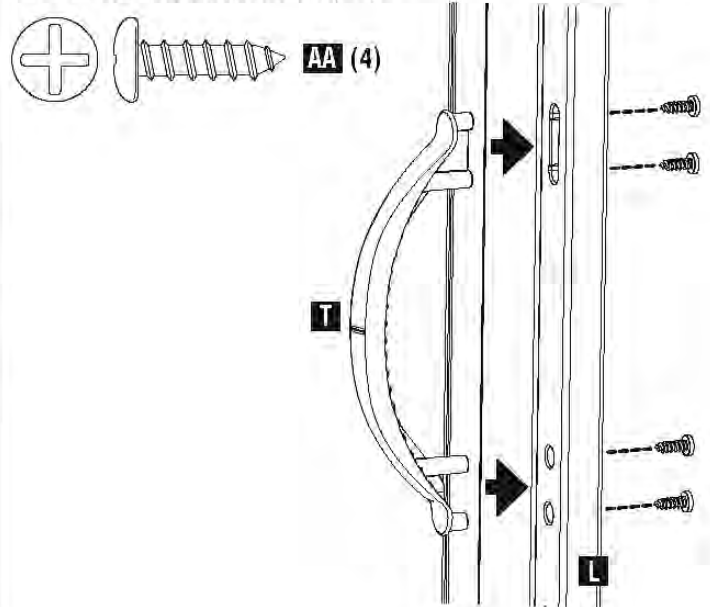


5.1 Installation des éléments de finition de porte

- a.** Installez le morillon de fermeture (X) dans l'ouverture sur la porte droite (K).

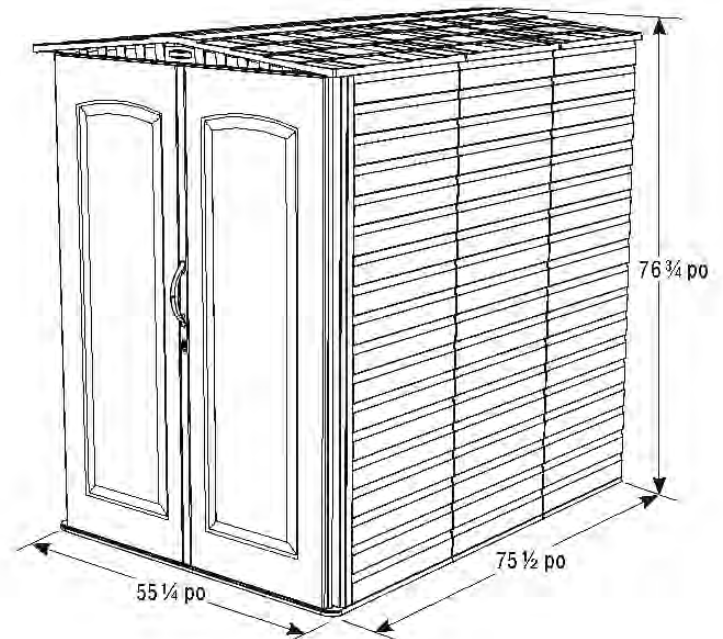


- b.** Installez la poignée de porte (T) sur la porte gauche (L) avec l'aide de quatre vis (AA).



ENTRETIEN ET SÉCURITÉ

- Vérifiez périodiquement la remise pour vous assurer qu'elle demeure stable et que le site est toujours plat.
- Dans les zones exposés à des vents puissants, il est recommandé d'ancrer la remise à la plate-forme ou au sol en utilisant les trous prévus à cet effet dans le plancher et des attaches appropriées (non incluses).
- Lavez la remise avec un tuyau d'arrosage et un détergent doux. L'utilisation d'un nettoyant abrasif pourrait endommager la remise.
- Les objets chauds (p. ex. barbecue venant d'être utilisé ou plaque de feux de camp) ne doivent pas être rangés dans la remise.
- Les objets lourds ne doivent pas être appuyés contre un mur car ils risqueraient de causer une déformation.
- Lorsque la remise n'est pas utilisée, gardez les portes fermées pour éviter les dommages pouvant être causés par le vent.
- Ne grimpez pas sur le toit.
- Cette remise n'est pas conçue pour y habiter.



A **Newell Rubbermaid** Company

Imprimé aux États-Unis
2010 Rubbermaid Incorporated,
Huntersville, NC U.S.A. 28078-1801

Service clientèle

Numéro gratuit : 1-888-895-2110
L-V 8h30 à 17h00 (heure de l'est)

ou allez à www.rubbermaid.com

Rubbermaid®

5L30

Felicitaciones y gracias por adquirir una estructura de almacenamiento Rubbermaid.

ANTES DE EMPEZAR – CÓDIGOS DE CONSTRUCCIÓN

Asegúrese de revisar sus códigos de construcción locales, ordenanzas y restricciones, y gobierno vecinal.

ANTES DE EMPEZAR – PREPARANDO LA SUPERFICIE

Para asegurar un ensamblado y rendimiento correctos, su cobertizo tiene que ser construido en una superficie sólida y nivelada. Se recomienda una superficie de concreto, un patio o una plataforma de madera tratada.

ANTES DE EMPEZAR – UBICACIÓN

Cuando escoja una ubicación en su jardín, asegúrese de escoger una área con fácil acceso y una área que proporcione el drenaje correcto para que el agua se escurra de la ubicación del cobertizo.

ANTES DE EMPEZAR – PRE-ENSAMBLADO

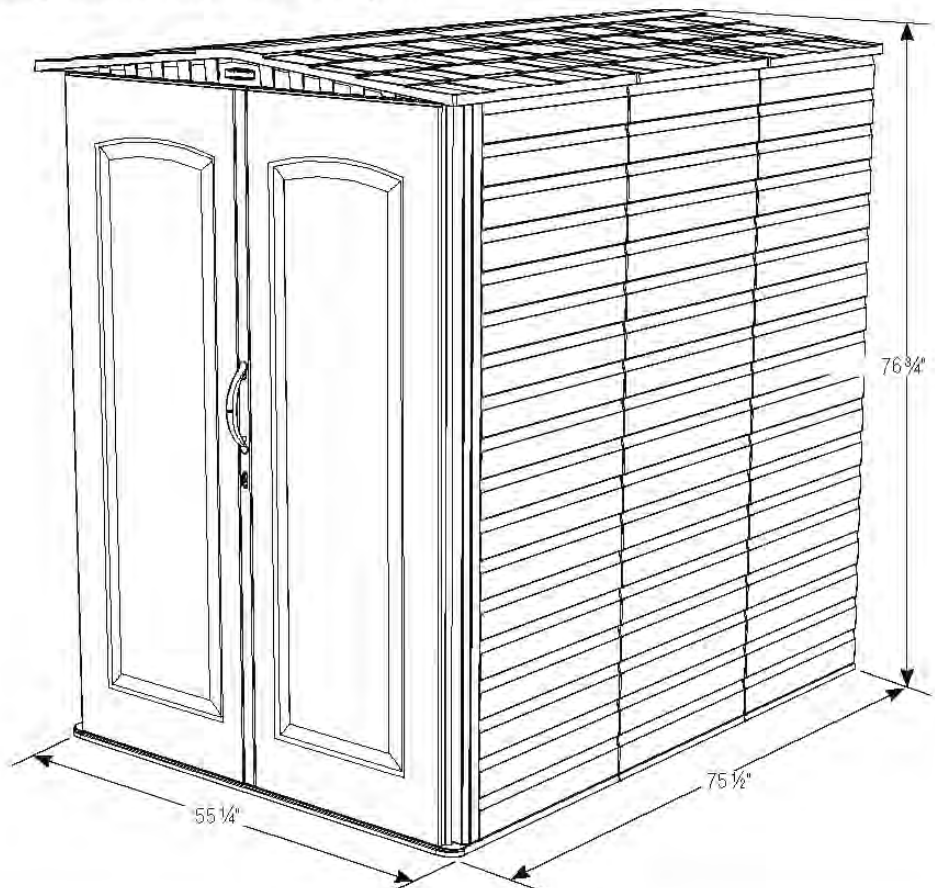
Revise con detenimiento todos los pasos del ensamblado (es importante que los pasos se lleven a cabo en el orden correcto). Examine la lista de piezas y asegúrese de que no le falta ninguna.

IMPORTANTE – NO DEVUELVA A LA TIENDA

Para recibir asistencia con su estructura de almacenamiento Rubbermaid, o para información adicional del producto, llame a nuestro número gratuito de servicio al consumidor:

1-888-895-2110

L a V: 8:30 a.m. a 5:00 p.m. Hora estándar del este o visítenos en Internet en: www.rubbermaid.com.

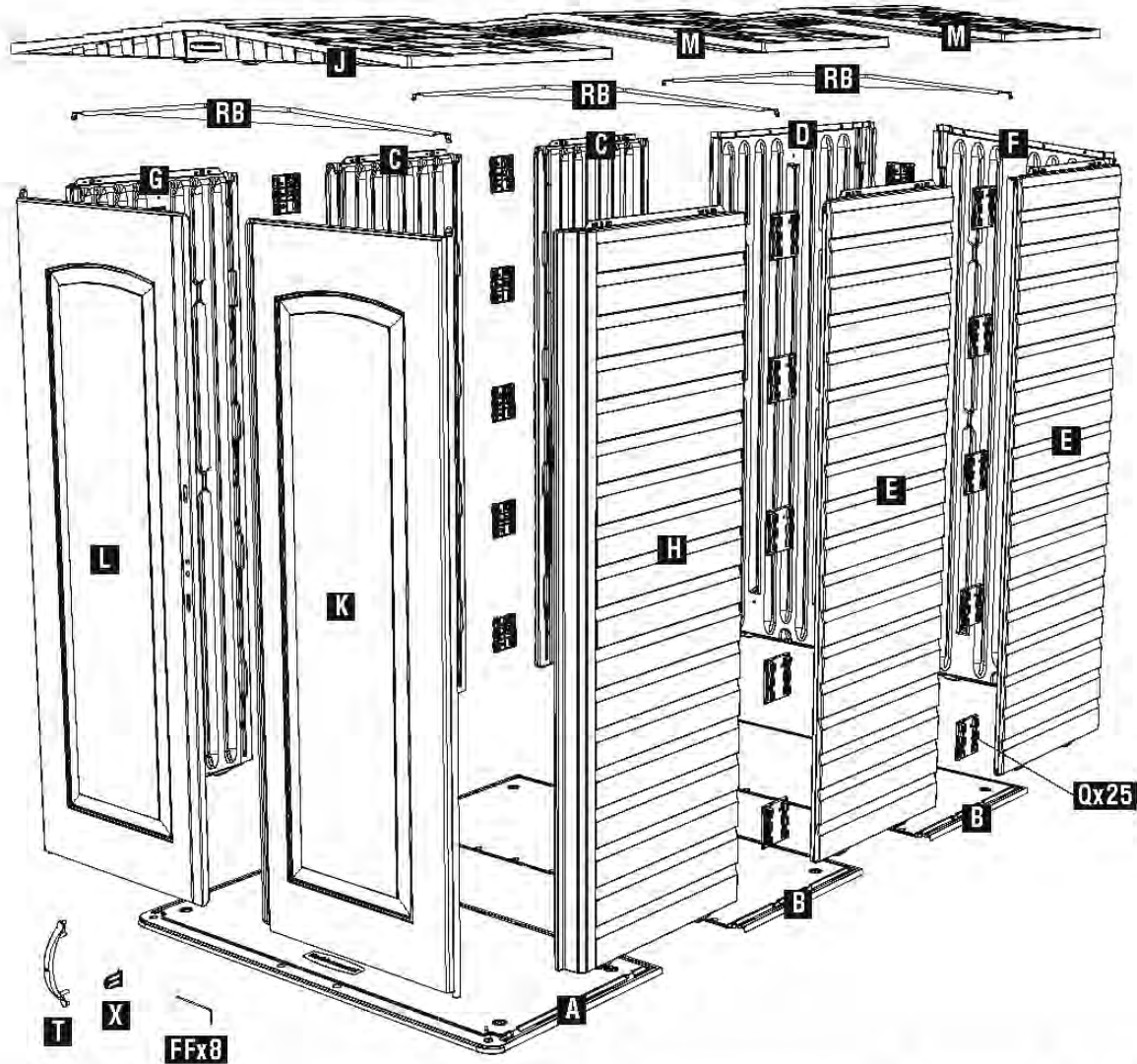


Pasos para la instalación:

- 1. Preparación del lugar**
- 2. Piso**
- 3. Paredes**
- 4. Techo y puertas**
- 5. Acabado**

Nota: Asegúrese de mantener este manual de instrucciones y su recibo original de la tienda para asegurar que nuestro Departamento de servicio al consumidor pueda asistirlo con exactitud y rápido si es necesario.

PO-5L30-PO



	Descripción	Número de pieza	Letra de ensamblaje	Cantidad
Piso	Piso frontal	5L01	A	1
	Piso repetido	5L11	B	2
Paredes	Lado izquierdo repetido	5L12	C	2
	Posterior izquierdo	5L04	D	1
	Lado derecho repetido	5L13	E	2
	Posterior derecho	5L05	F	1
	Lado frontal izquierdo	5L02	G	1
	Lado frontal derecho	5L03	H	1
	Conector de pared	5H75	Q	25
Puertas	Puerta izquierda	5L06	L	1
	Puerta derecha	5L07	K	1
	Mamija de la puerta	5L74	T	1
	Pestillo de cierre	5F58	X	1
Techo	Techo delantero	5L08	J	1
	Techo repetido	5L44	M	2
	Abrazadera de techo	5L36	RB	3
Accesorios	Conjunto de tornillos de cabeza achatada 14 x 3/4"		AA	60*
	Pasador del techo	MP 5J22	FF	8
	Herramienta para el montaje de pasadores de techo	MG 5J22	GG	1
	Soporte de accesorio	5H88		4

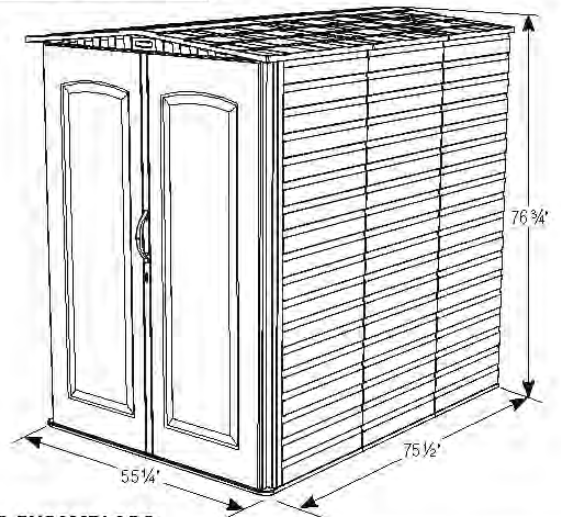
Herramientas necesarias



Ensamblaje con dos personas



5L30



PRE-ENSAMBLADO:

- Revise TODOS los pasos de ensamblaje antes de comenzar la construcción.
- Examine la lista de piezas y asegúrese de que no le falta ninguna.

NOTA:

- Para simplificar el ensamblaje y asegurar que todos los componentes se enganchen adecuadamente, aplique un detergente suave a las colas de milano y a los sujetadores de presión antes del ensamblaje.

* Se suministran tornillos adicionales.

PRECAUCIONES

PRECAUCIÓN: Use siempre guantes cuando use un cuchillo de uso general.

PRECAUCIÓN: Use siempre protección ocular/gafas de seguridad durante el ensamblaje.

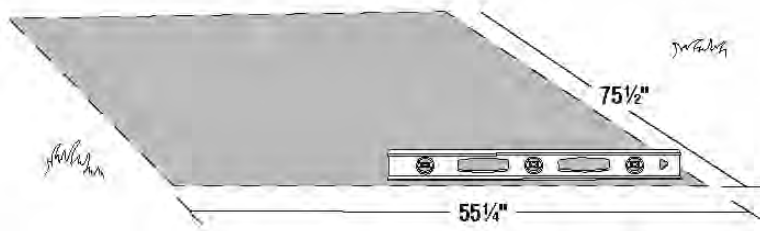
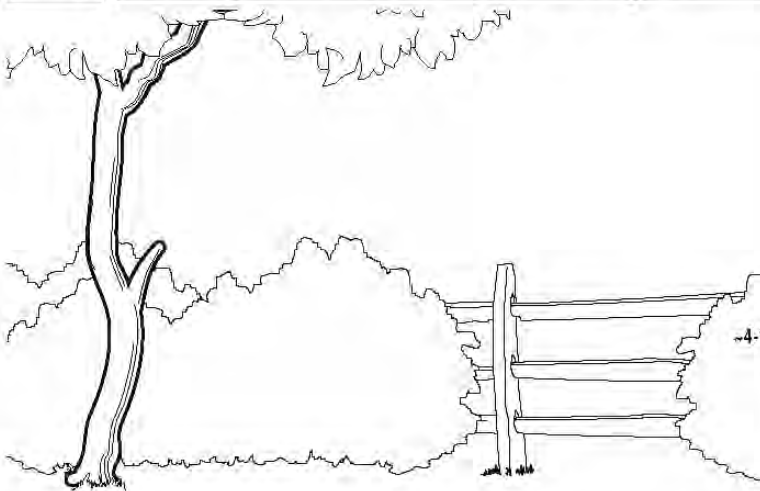
PRECAUCIÓN: Cuando instale los tornillos no los ajuste en exceso.

PRECAUCIÓN: Taladre solamente a través del panel de pared inicial, salvo que se indique de otra manera.

CUIDADO Y USO

- El cobertizo se puede limpiar con agua y un detergente suave, según sea necesario. **NO UTILIZE DETERGENTES, MATERIALES O HERRAMIENTAS DE LIMPIEZA ABRASIVOS.**
- Para maximizar el rendimiento de su cobertizo, retire la acumulación excesiva de nieve y/u hojas del techo.
- En caso de muy mal tiempo, por favor desensamble y almacene en un lugar seguro.

1.0 Preparación del lugar



Construya una superficie sólida y nivelada para la cimentación del cobertizo. Consulte con las autoridades de construcción locales para saber de ordenanzas, restricciones o permisos requeridos antes de construir alguna estructura en su casa.

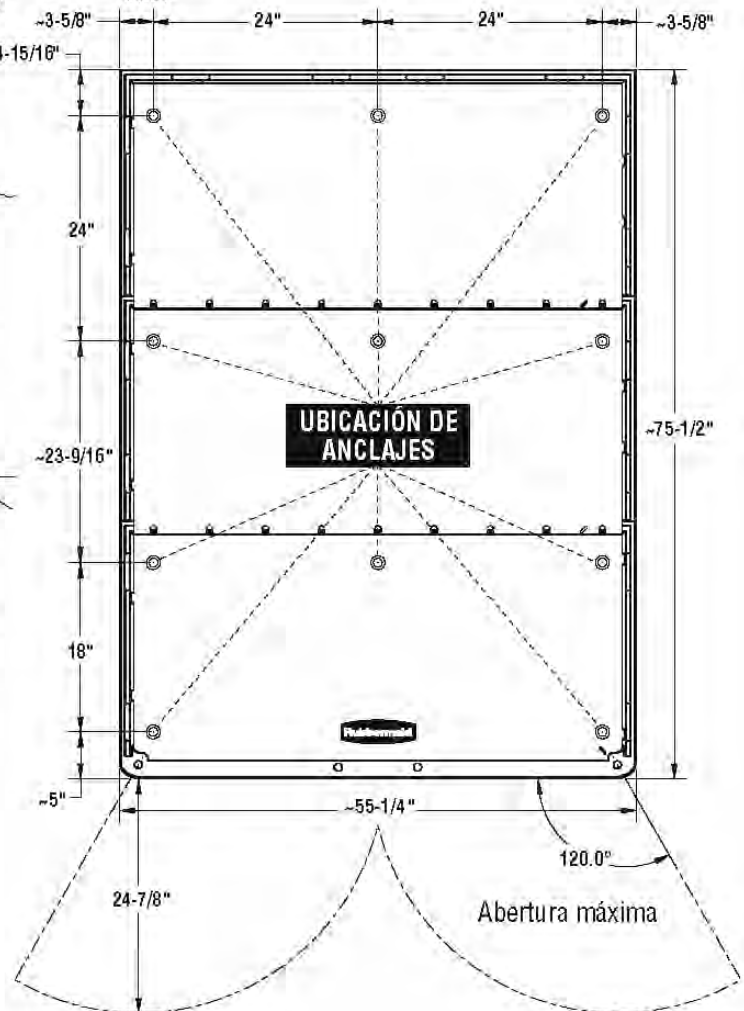
Nota: Se muestran las dimensiones mínimas para los cimientos.

PLANO DEL PISO:

Mida el lugar donde vaya a realizar la construcción para que pueda encajar todo el piso.

PASO OPCIONAL:

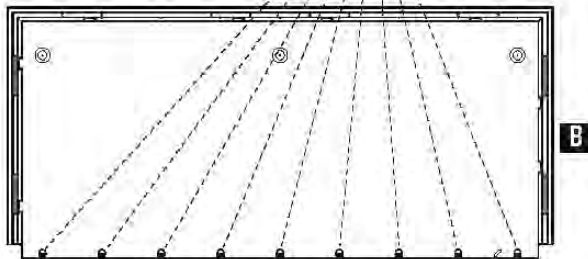
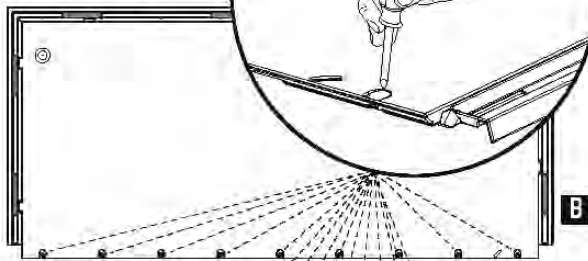
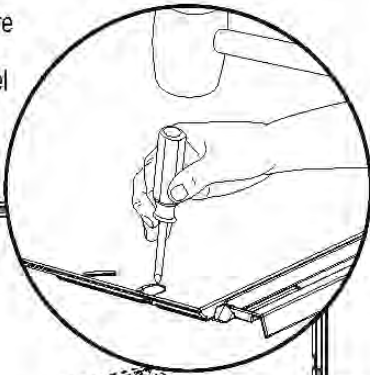
Si se desea, podrán usarse los orificios embutidos para las anclas (11 lugares) para fijar el piso del cobertizo al cemento después de haber construido uno.



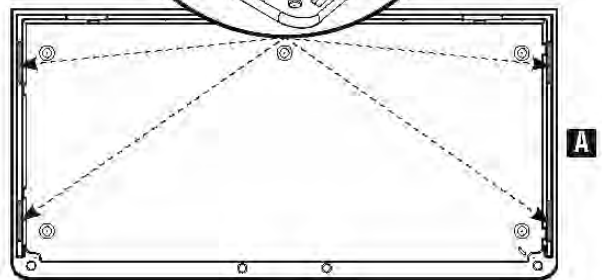
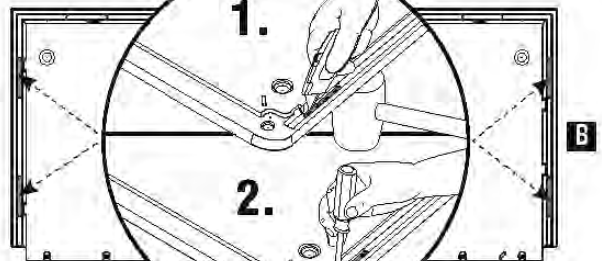
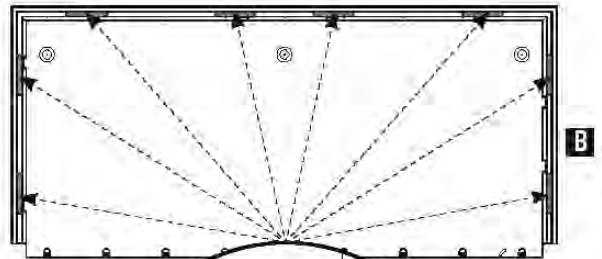
2.0 Instalación del piso



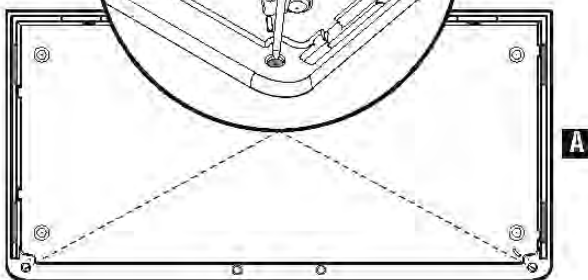
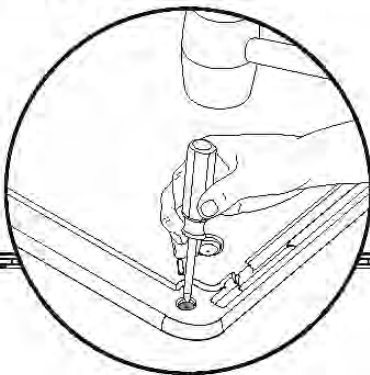
- a.** Utilizando un mazo de caucho y un destornillador, perforo los orificios para los tornillos a lo largo del borde de conexión de los dos pisos repetidos (B).



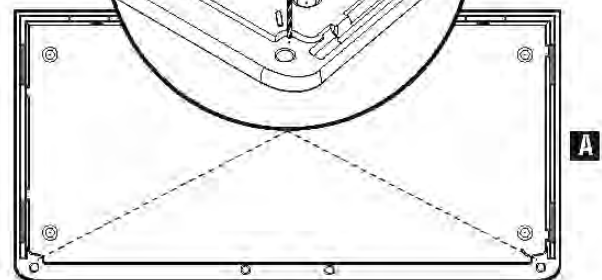
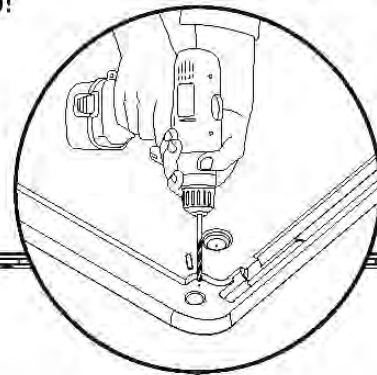
- b.** Usando un cuchillo multiuso, corte el lado largo de cada ranura de pared y luego use un mazo de caucho y destornillador para retirarlo:
- 4 lugares en el **piso frontal (A)**
 - 4 lugares en el **piso repetido (B)**: ubicación media
 - 8 lugares en el **piso repetido (B)**: ubicación posterior



- c.** Utilizando un mazo de caucho y un destornillador, retire las pestañas para la bisagra de la puerta, en dos lugares en el **piso frontal (A)**.



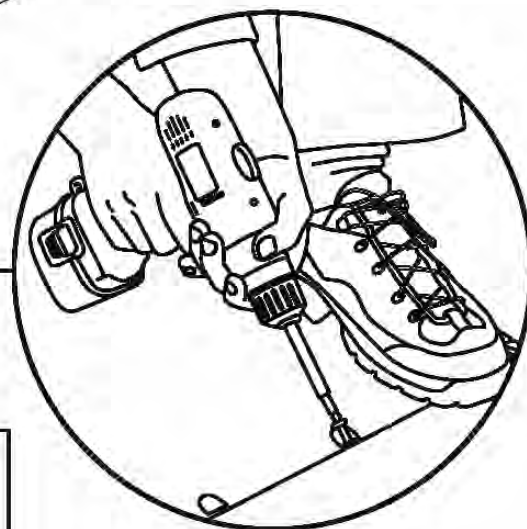
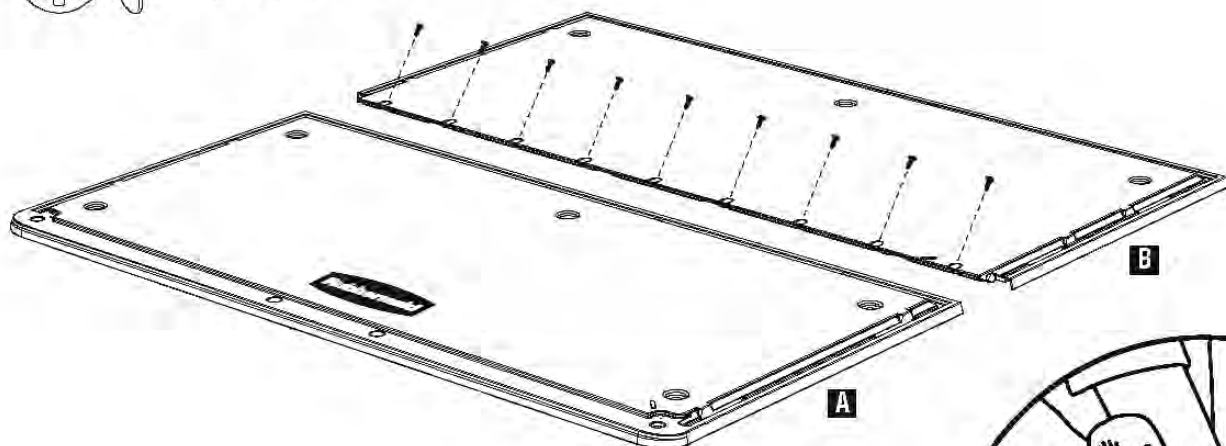
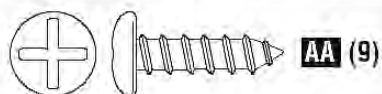
- d.** Taladre un orificio piloto a través de la superficie superior del piso, en dos lugares del **piso frontal (A)**. **PRECAUCIÓN:** ¡Taladre solamente a través de la superficie superior del piso!



2.1 Instalación del piso

- a.** Conecte y alinee la posición media del **piso repetido (B)** al **piso frontal (A)** e instale tornillos **(AA)** en 9 lugares; mantenga los paneles alineados y parejos mientras instala los tornillos.

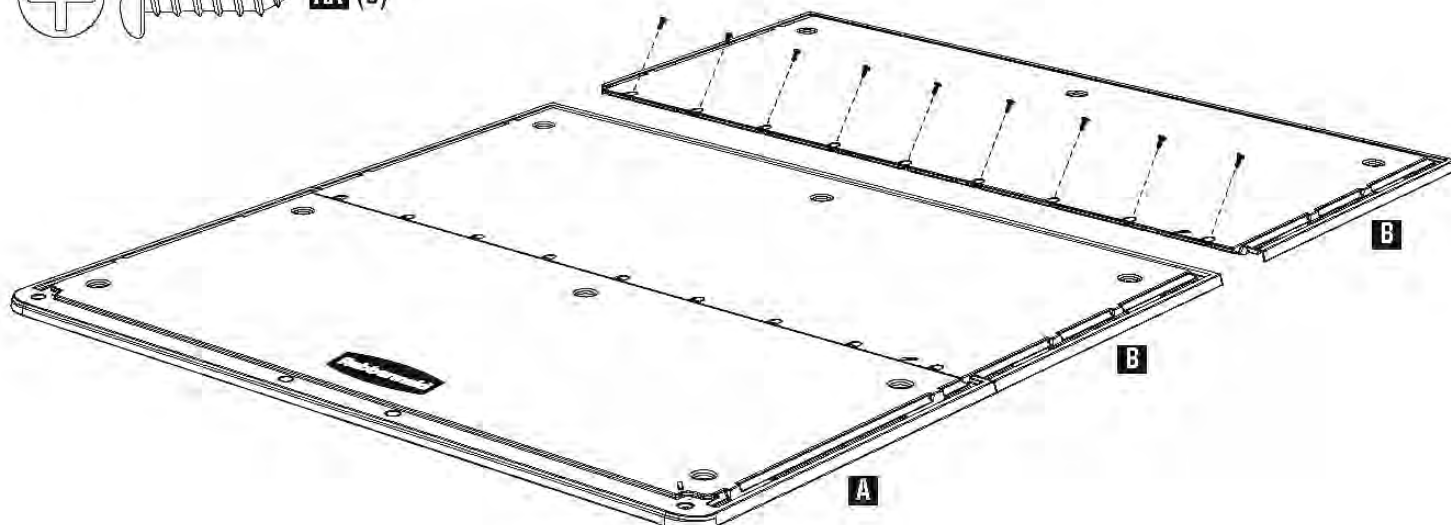
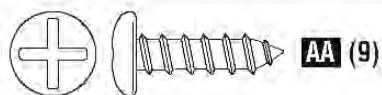
CONSEJO PRÁCTICO: Se pueden taladrar orificios piloto para los tornillos usando una broca de 1/8".
PRECAUCIÓN: No apriete los tornillos excesivamente.



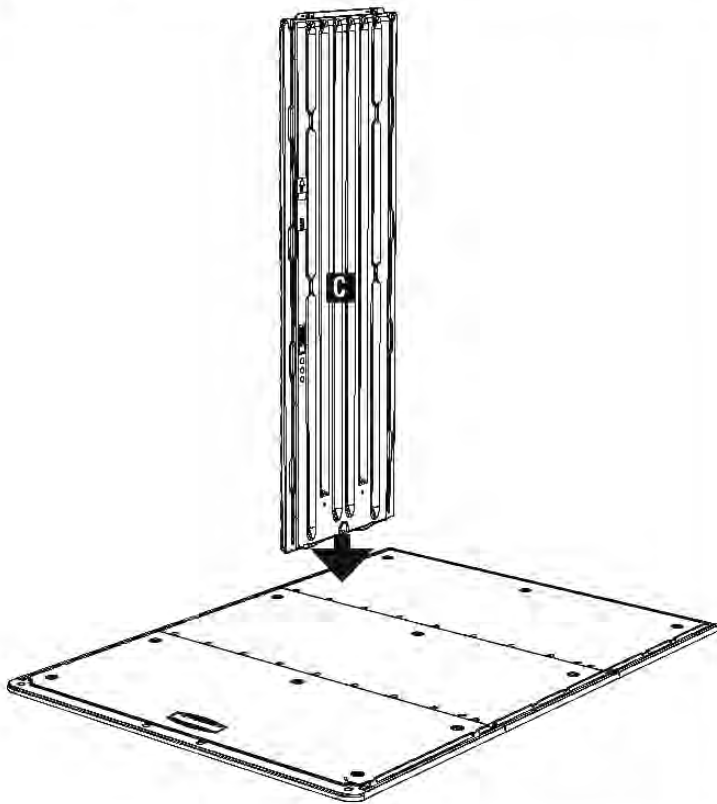
- b.** Conecte y alinee la posición posterior del **piso repetido (B)** a la posición media del **piso repetido (B)** e instale **tornillos (AA)** en 9 lugares; mantenga los paneles alineados y parejos mientras instala los tornillos.

CONSEJO PRÁCTICO: Se pueden taladrar orificios piloto para los tornillos usando una broca de 1/8".

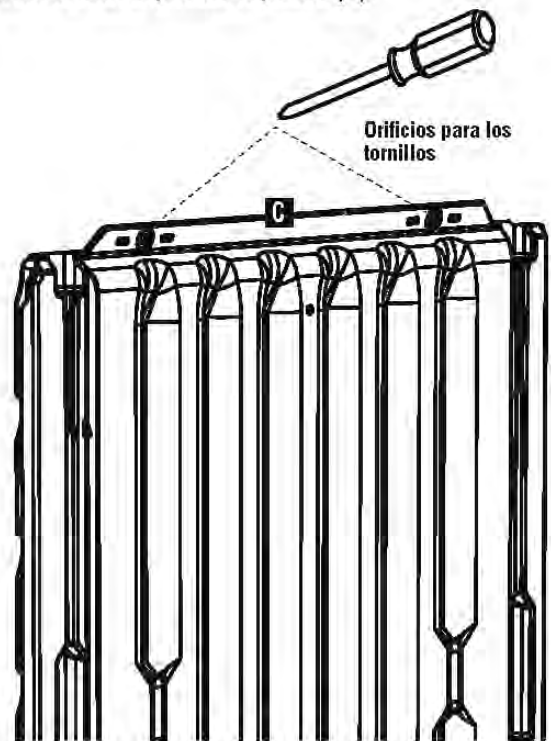
PRECAUCIÓN: No ajuste los tornillos excesivamente.



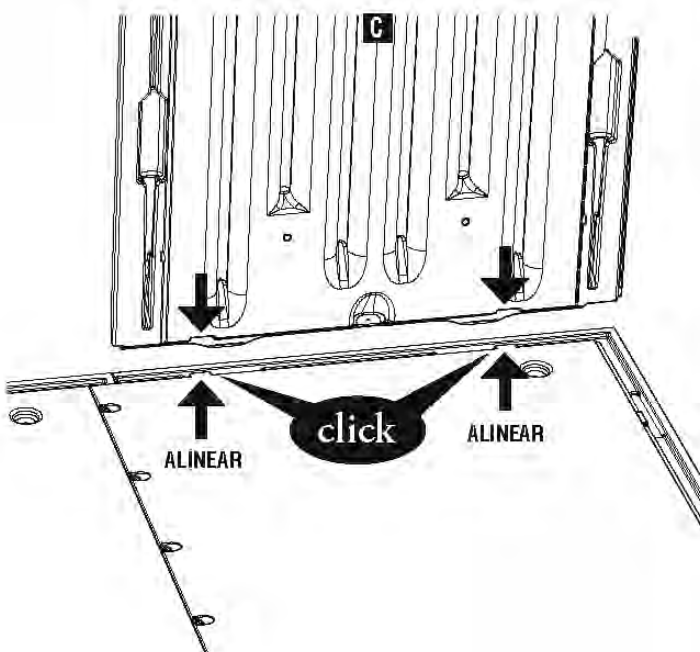
3.0 Instalación del panel de pared C



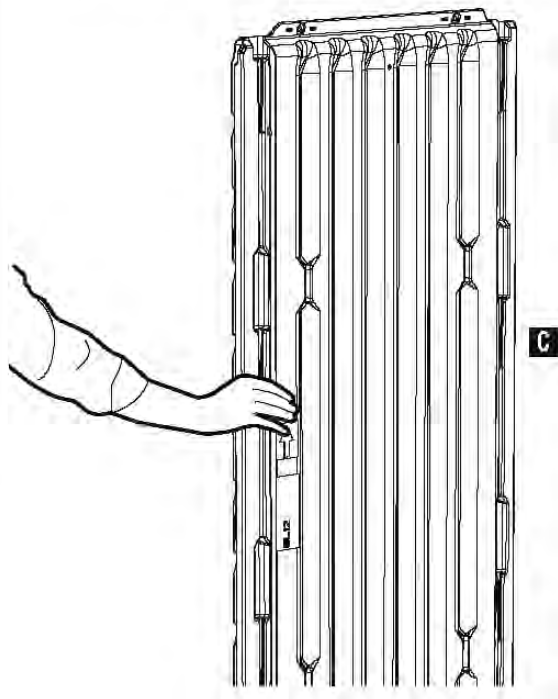
- a.** Utilice un destornillador para perforar los orificios para los tornillos en la parte de arriba de los dos lugares del panel lateral izquierdo repetido (C).



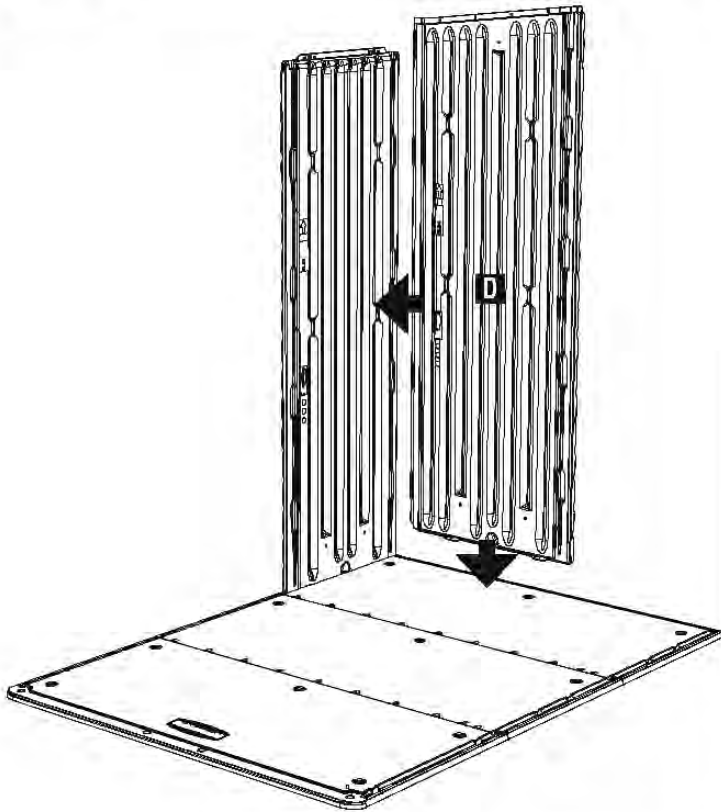
- b.** Encaje el lado izquierdo repetido (C) en la posición posterior piso repetido (B).



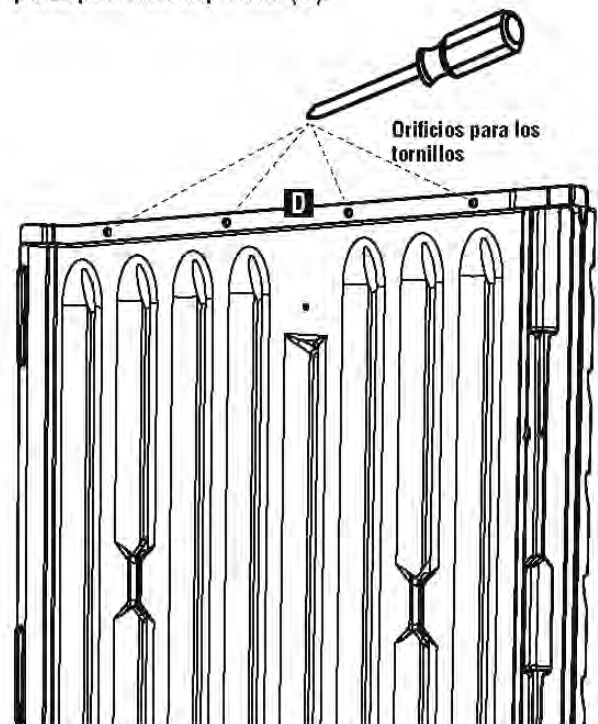
- c.** Mantenga el lado izquierdo repetido (C) vertical para evitar que se caiga (hasta que la parte posterior (D) esté instalada).



3.1 Instalación del panel de pared D

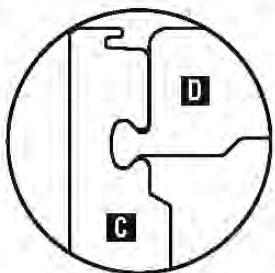


- a.** Utilice un destornillador para perforar los orificios para los tornillos en la parte de arriba de los 4 sitios de la parte posterior izquierda (D).

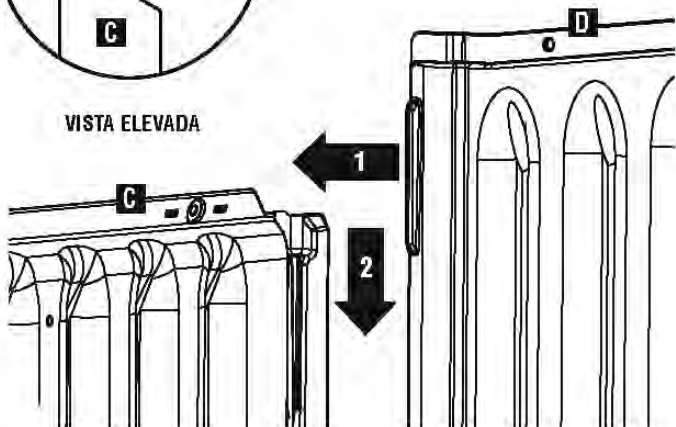


- b.** Conecte el lado posterior (D) a las colas de milano del lado izquierdo repetido (C).

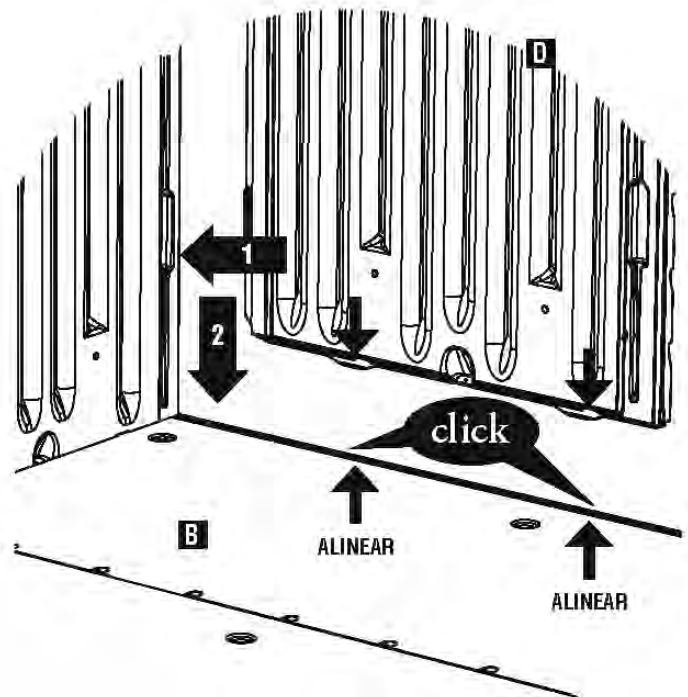
CONSEJO PRÁCTICO: Lubrique las colas de milano con jabón líquido.



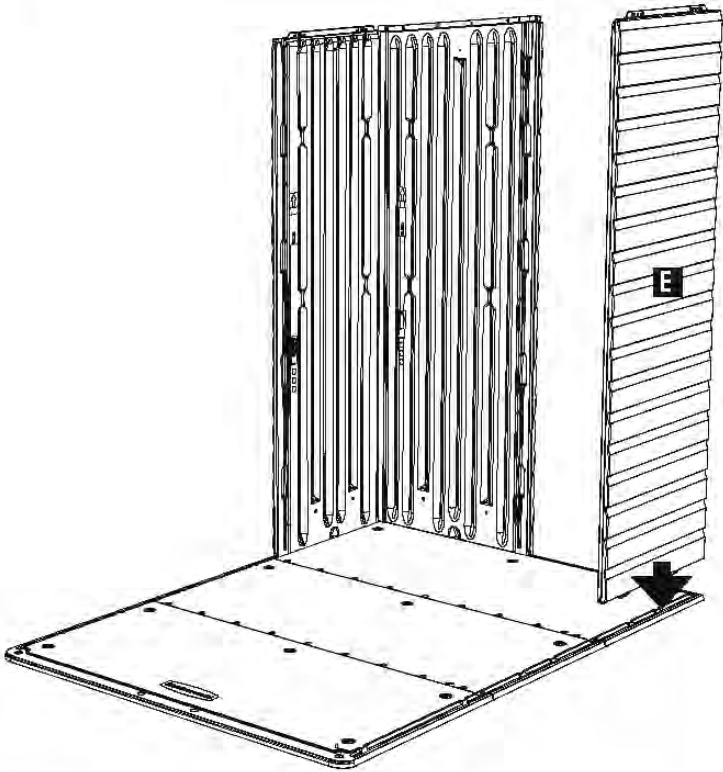
VISTA ELEVADA



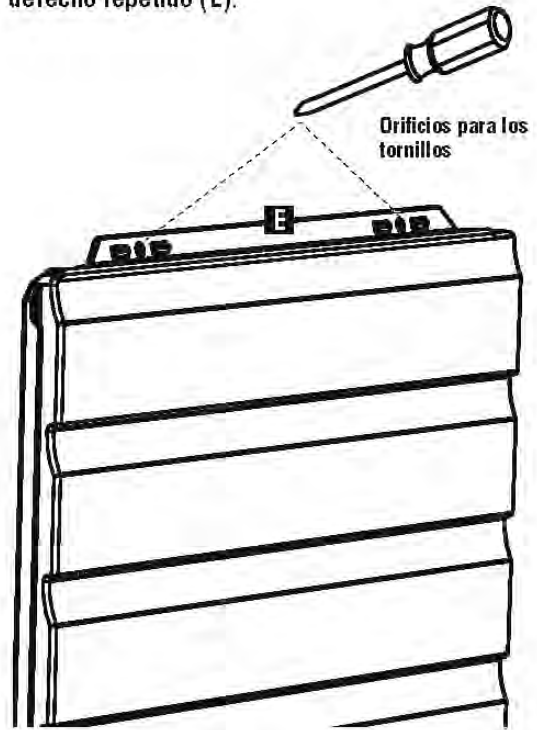
- c.** Enganche los sujetadores en la parte inferior de la parte posterior (D) al piso repetido (B).



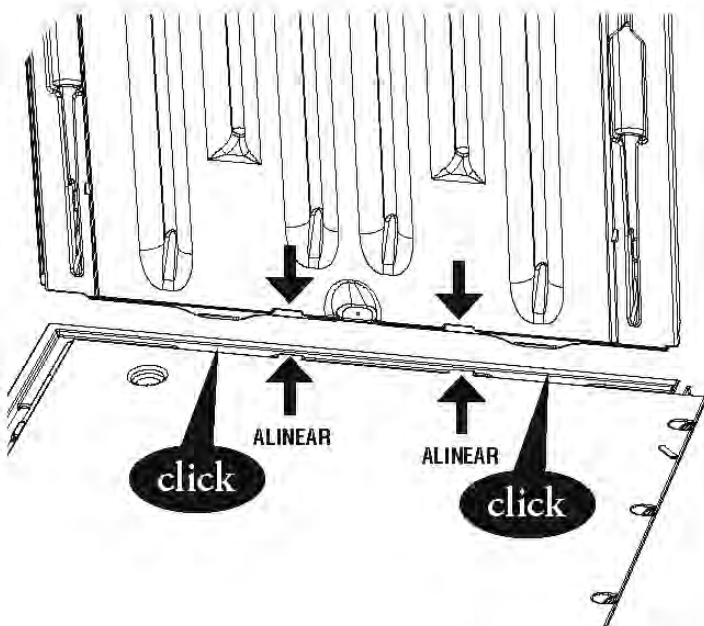
3.2 Instalación del panel de pared E



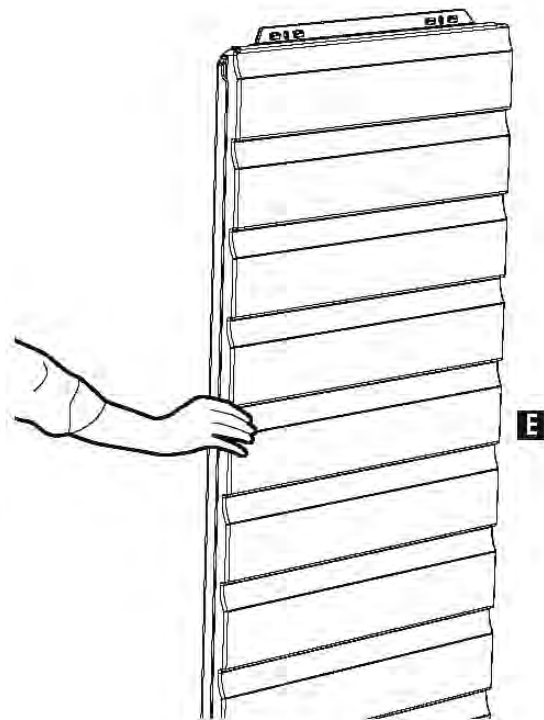
- a.** Utilice un destornillador para perforar los orificios de los tornillos en la parte de arriba de los dos lugares del lado derecho repetido (E).



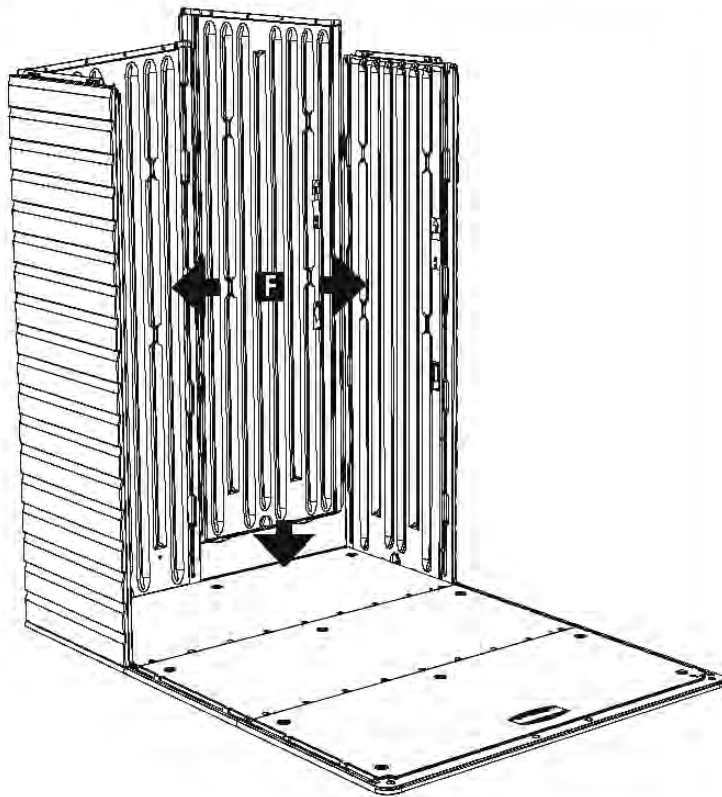
- b.** Encaje el lado repetido derecho (E) en la posición posterior del piso repetido (B).



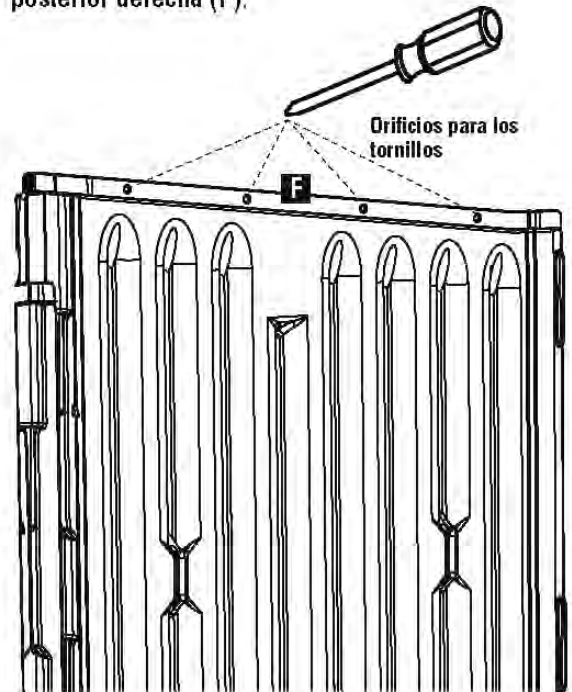
- c.** Mantenga el lado repetido derecho (E) vertical para evitar que se caiga (hasta que el derecho trasero (F) esté instalado).



3.3 Instalación del panel de pared F

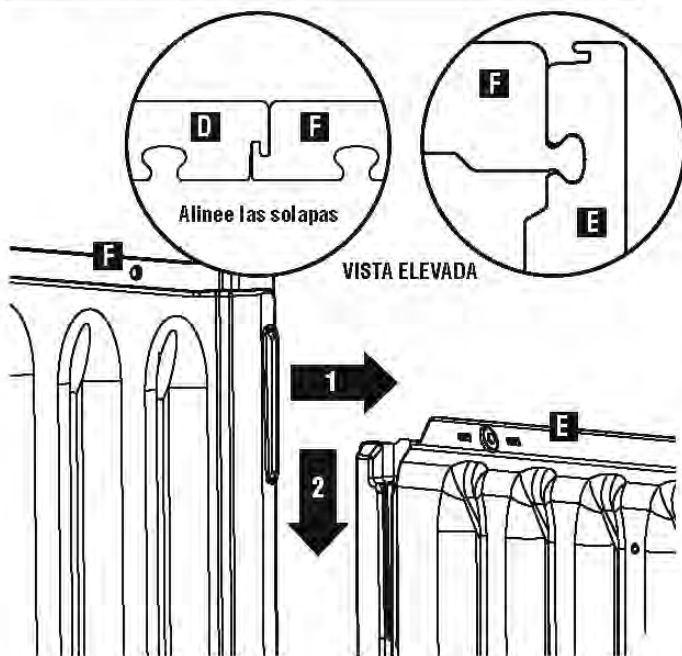


- a. Utilice un destornillador para perforar los orificios de los tornillos en la parte de arriba de los 4 sitios de la parte posterior derecha (F).

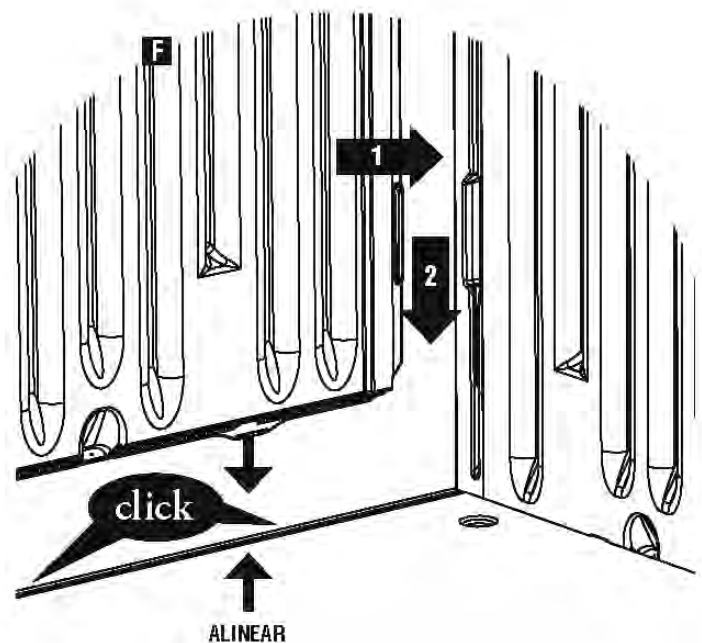


- b. Conecte el panel posterior derecho (F) a las colas de milano del lado derecho repetido (E).
Alinee la junta de solapa entre la parte posterior izquierda (D) y la parte posterior derecha (F).

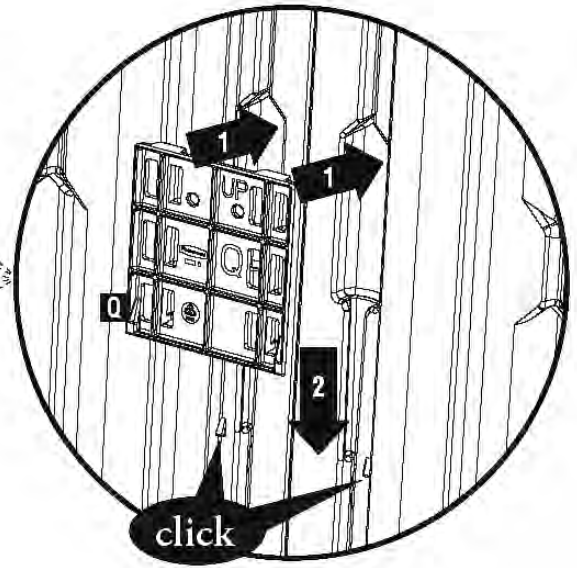
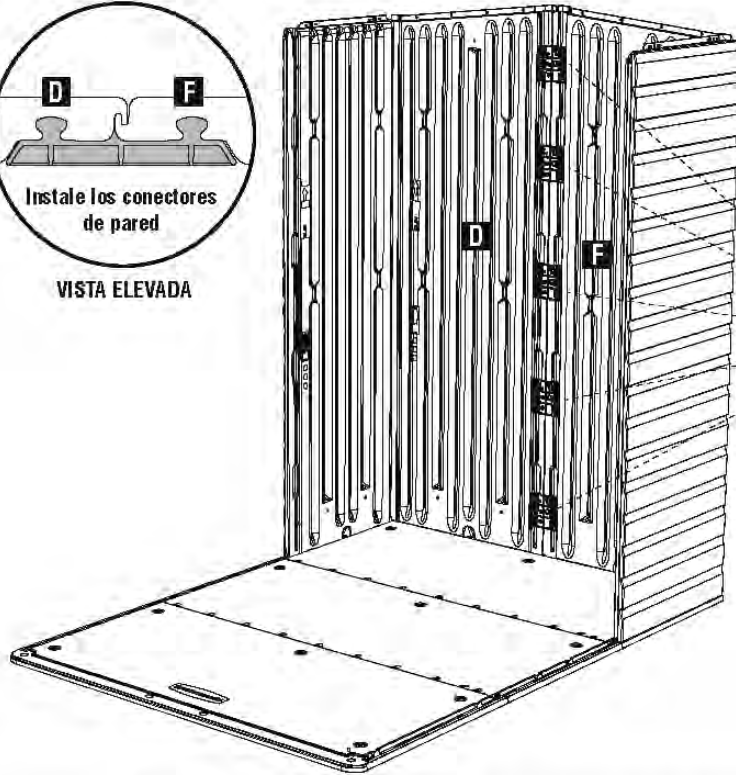
CONSEJO PRÁCTICO: Lubrique las colas de milano con jabón líquido.



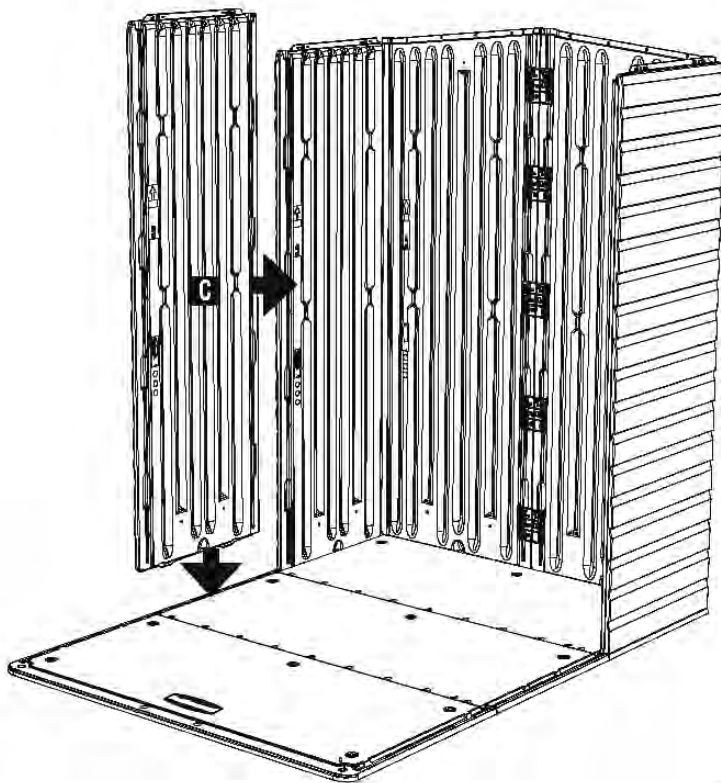
- c. Enganche los sujetadores en la parte inferior de la parte posterior derecha (F) al piso repetido (B).



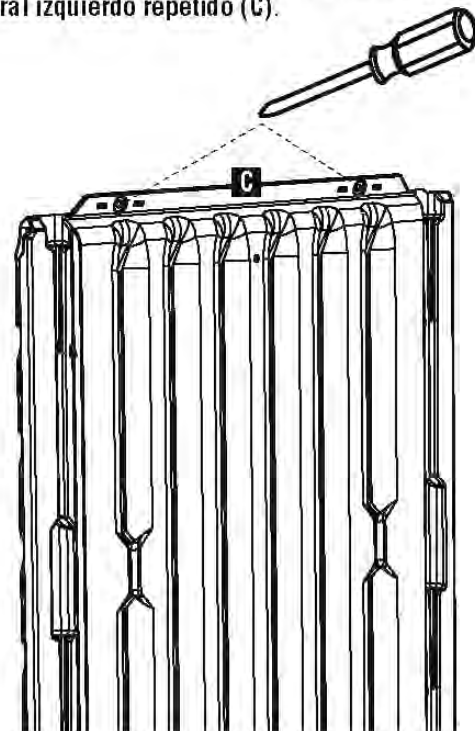
- d. Instale el **conector de pared (Q)** en 5 lugares, conectando los **paneles posterior derecho e izquierdo (D and F)**.
Posicione los conectores en las ranuras y deslice hacia abajo para conectar en su lugar.



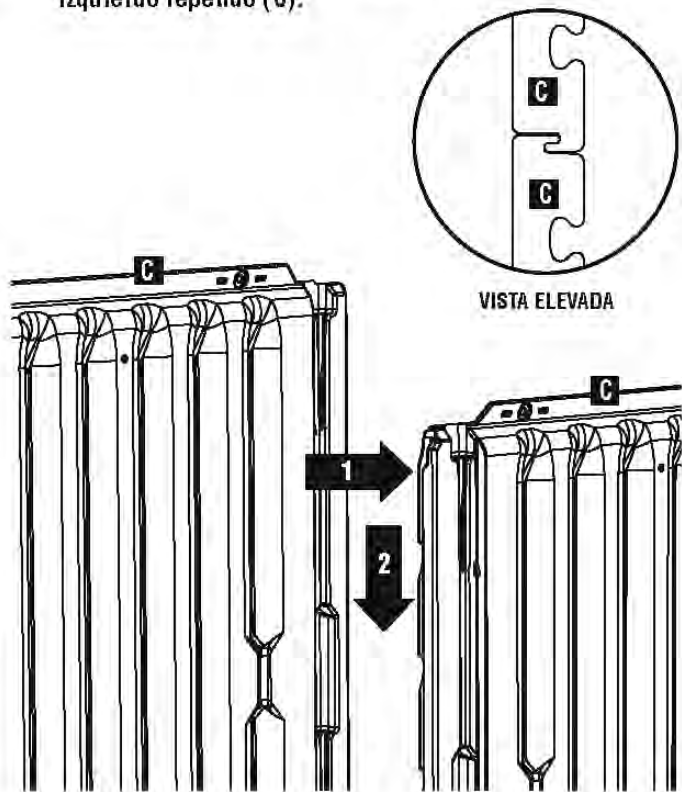
3.4 Instalación del panel de pared C (Lado izquierdo repetido)



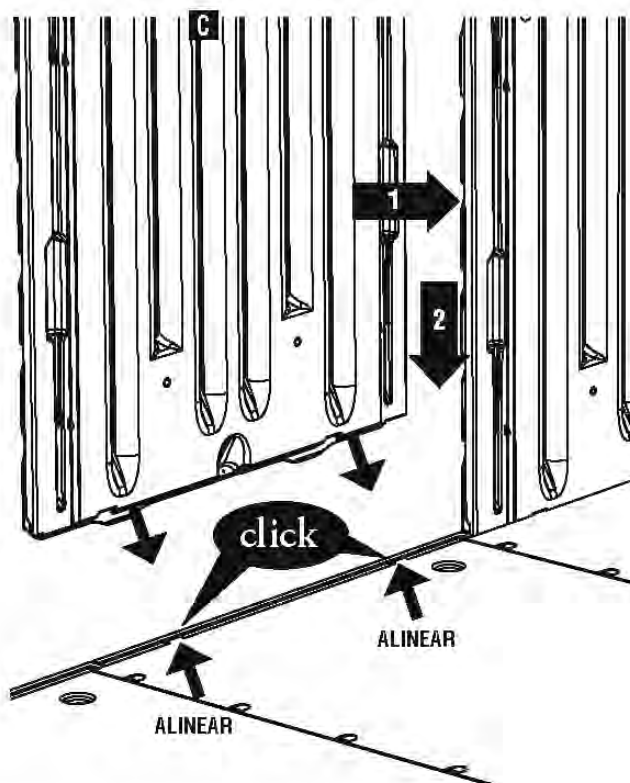
- a. Utilice un destornillador para perforar los orificios de los tornillos en la parte de arriba de los 2 sitios del **panel lateral izquierdo repetido (C)**.



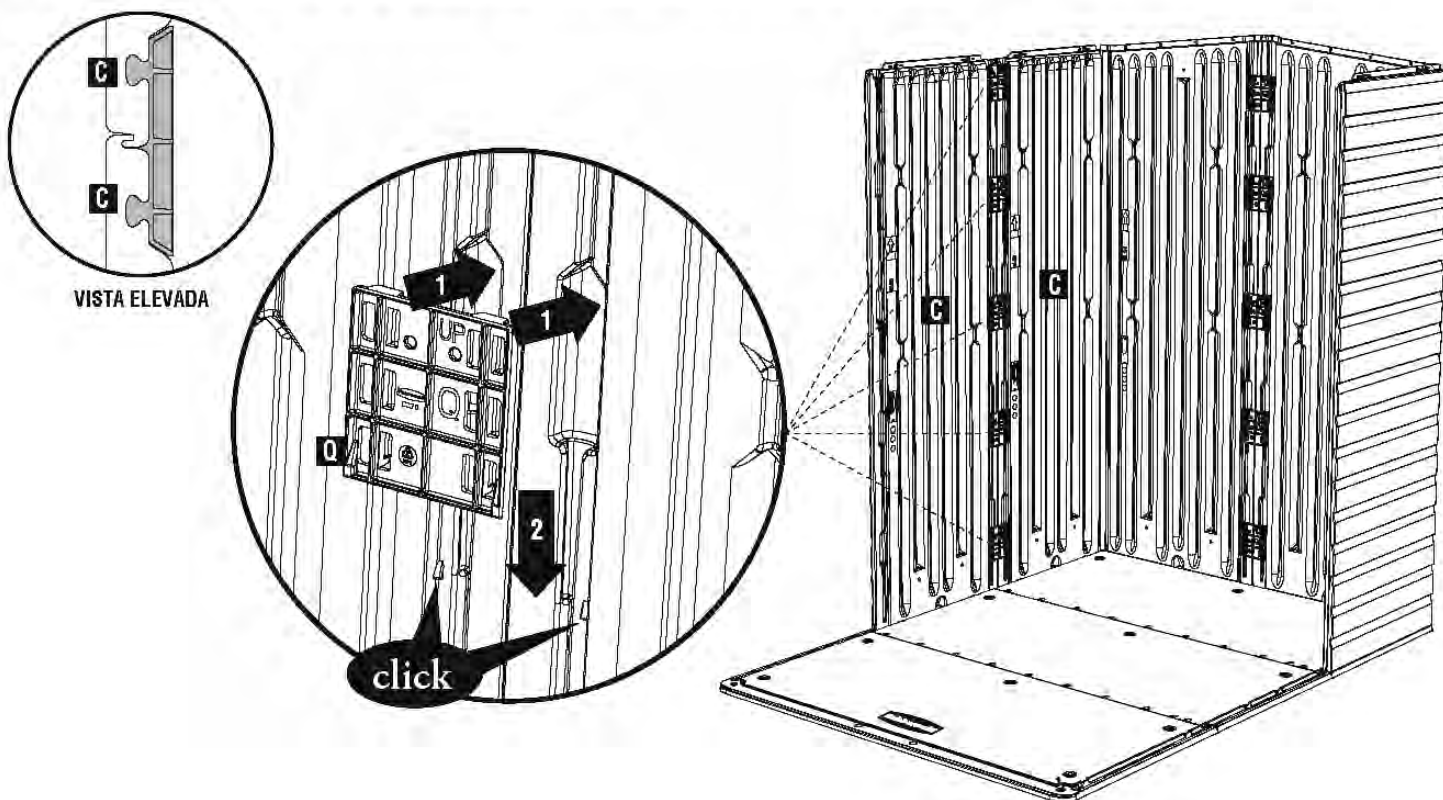
- b.** Alinee la junta de solapa entre la parte posterior del **lado izquierdo repetido (C)** y la posición media del **lado izquierdo repetido (C)**.



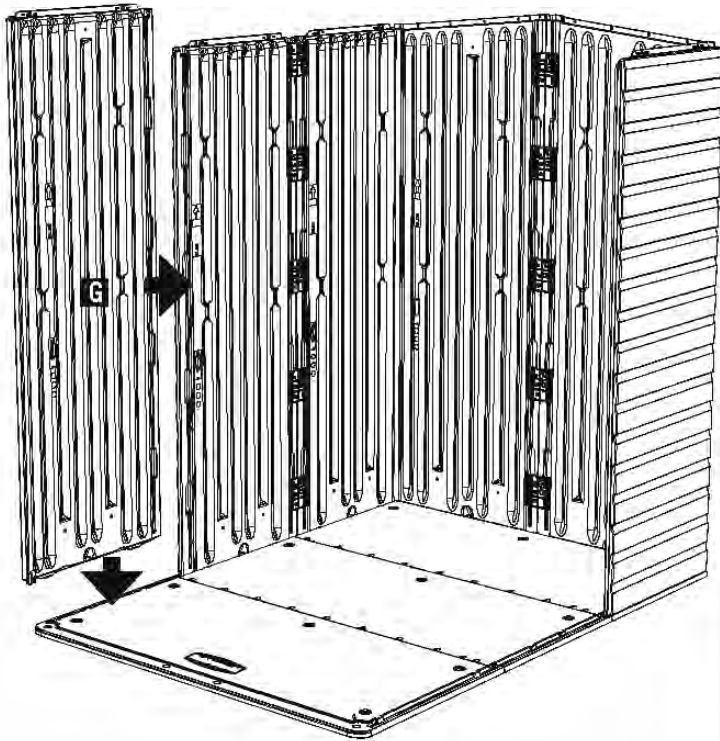
- c.** Encaje la posición media del **lado repetido derecho (C)** en la posición media del **piso repetido (B)**.



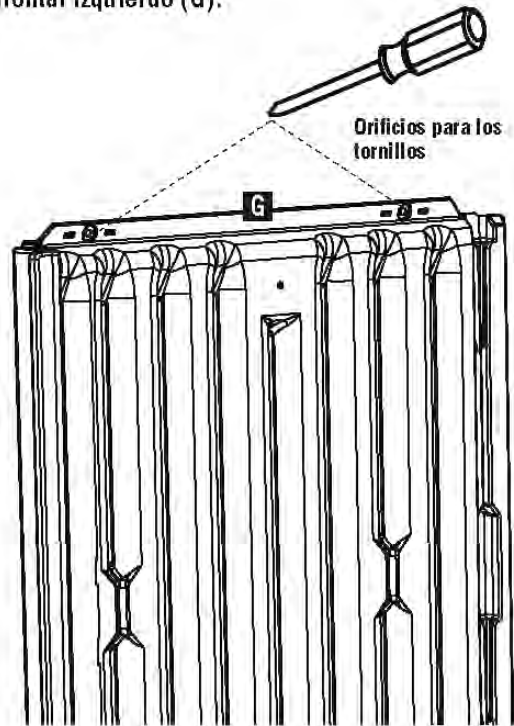
- d.** Instale el **conector de pared (Q)** 5 lugares, conectando **2 lados izquierdos repetidos (C y C)**. Posicione los conectores en las ranuras y deslice hacia abajo para conectar en su lugar.



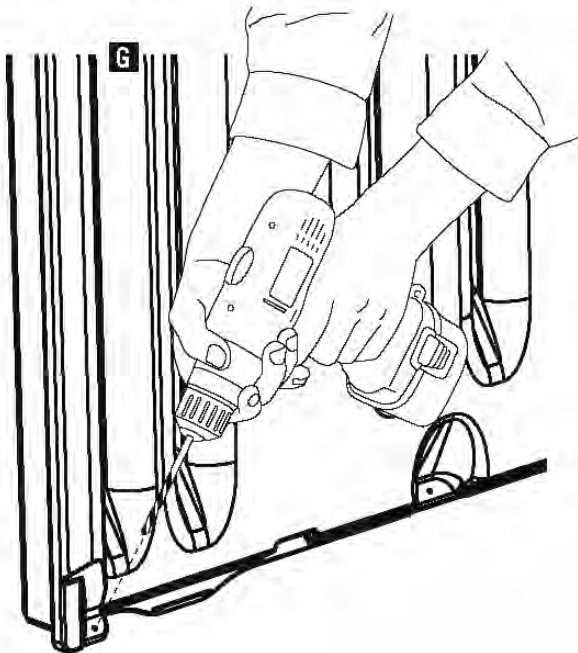
3.5 Instalación del panel de pared G



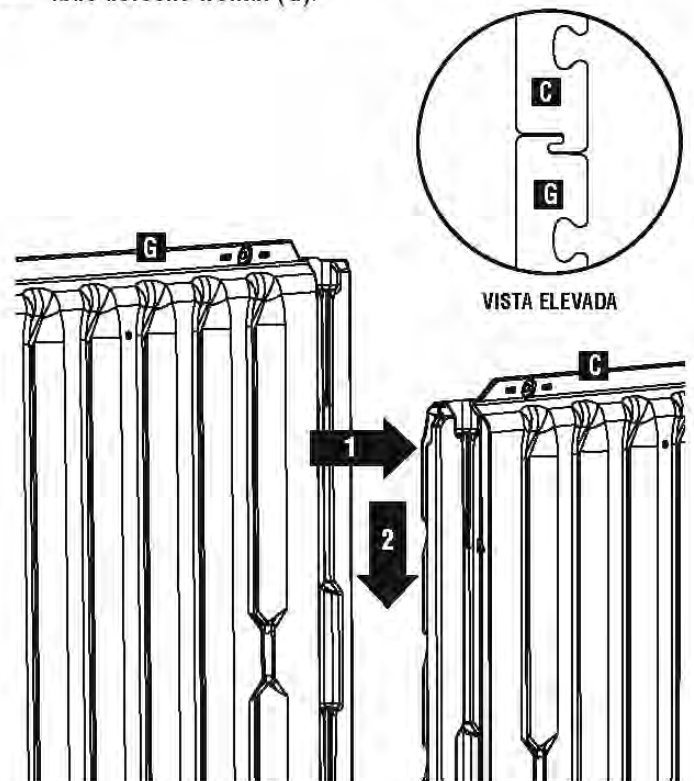
- a.** Utilice un destornillador para perforar los orificios de los tornillos en la parte de arriba de los 2 sitios del lado frontal izquierdo (G).



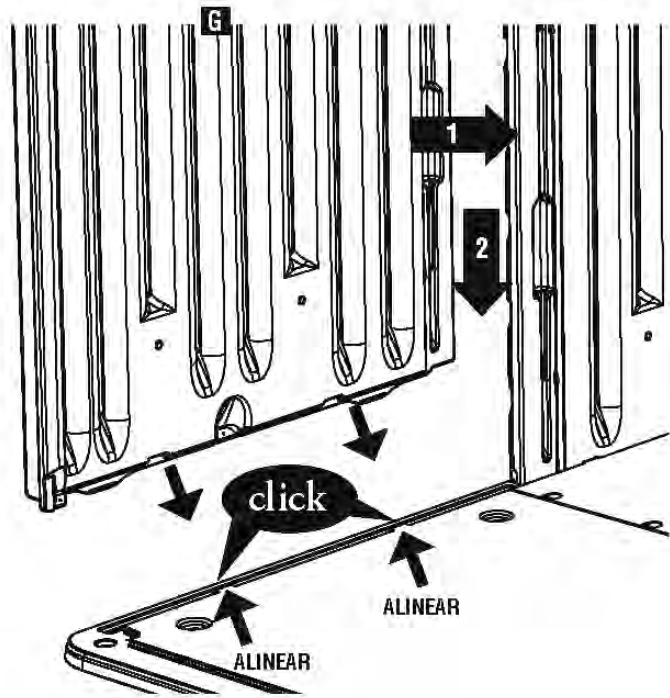
- b.** Taladre un orificio piloto (usando una broca de 1/8") en la esquina inferior frontal en la ubicación indicada por los orificios de tornillo.
Nota: Este orificio piloto debe ser taladrado a través de ambas paredes.



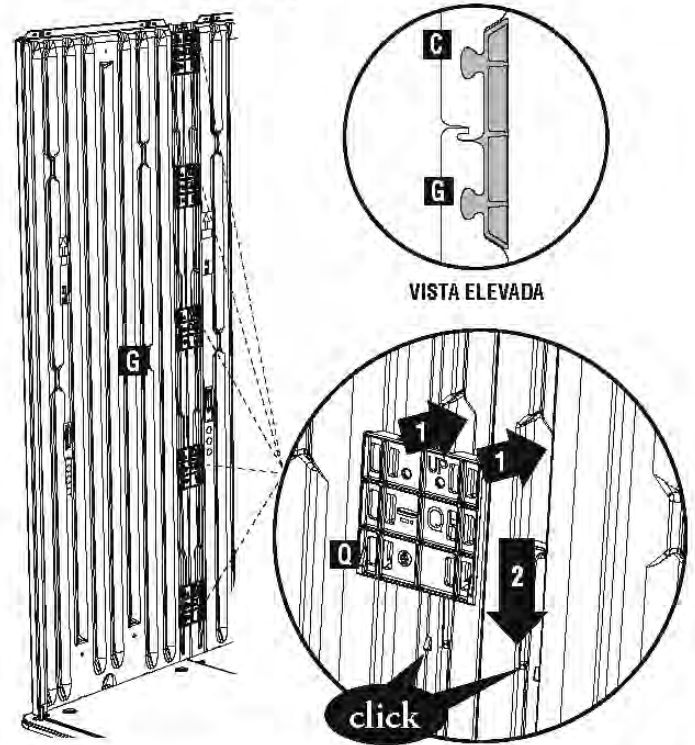
- c.** Alinee las solapas entre el lado derecho repetido (C) y el lado derecho frontal (G).



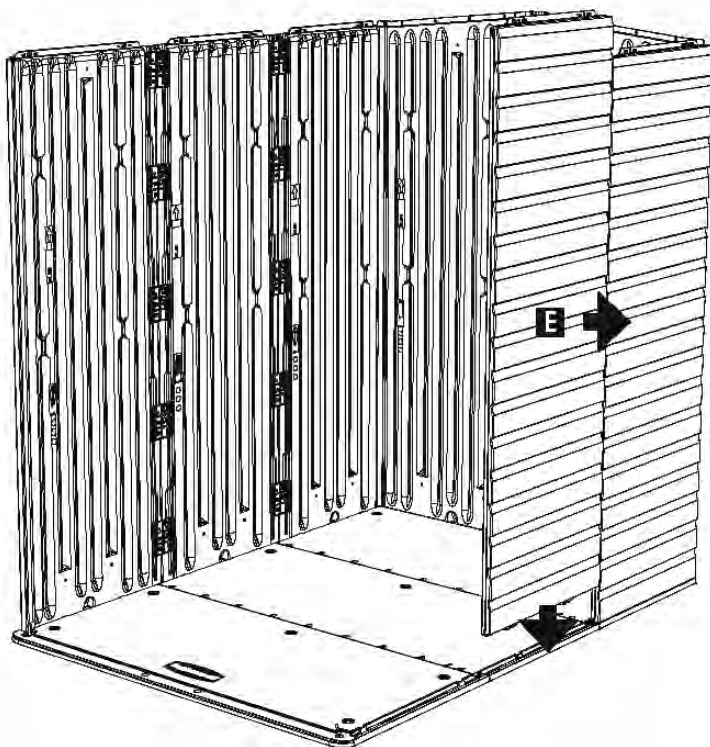
- d.** Encaje el lado izquierdo frontal (G) en el piso frontal (A).



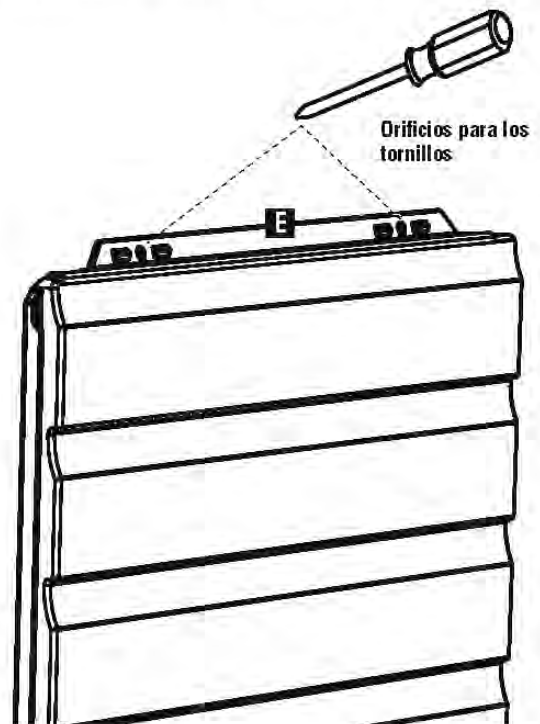
- e.** Instale el conector de pared (Q) en 5 lugares, conectando el lado izquierdo repetido (C) y el lado izquierdo frontal (G). Posicione los conectores en las ranuras y deslice hacia abajo para conectar en su lugar.



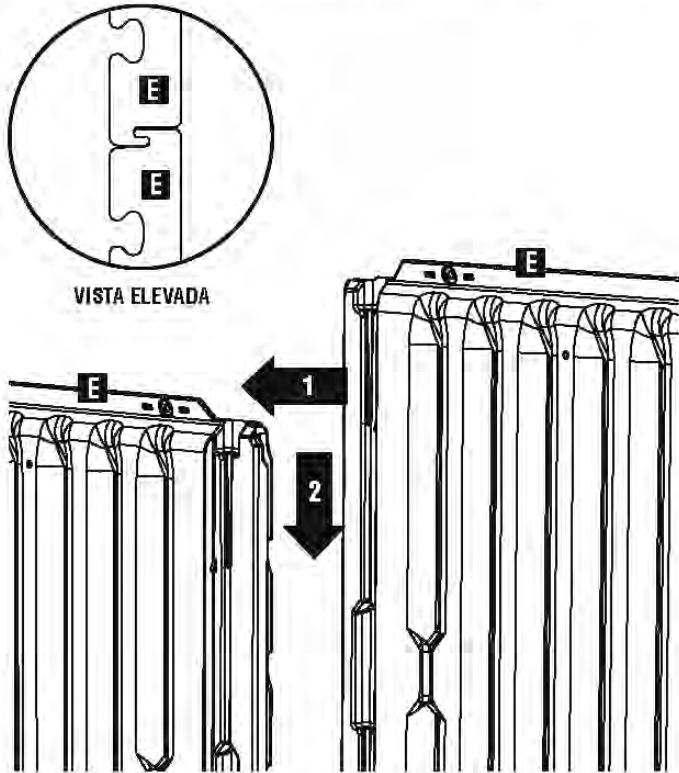
3.6 Instalación del panel de pared E (Lado derecho repetido)



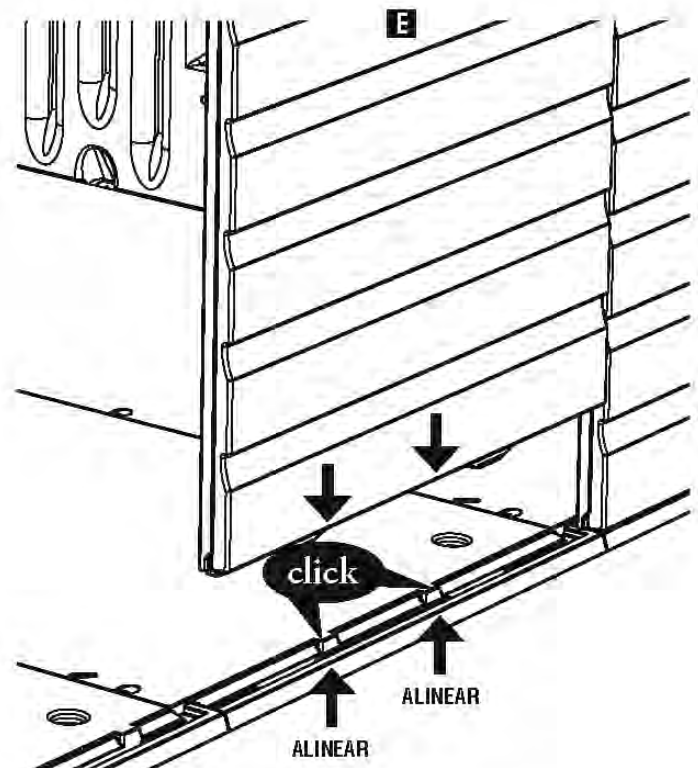
- a.** Utilice un destornillador para perforar los orificios de los tornillos en la parte de arriba de los dos lugares de la posición central del lado derecho repetido (E).



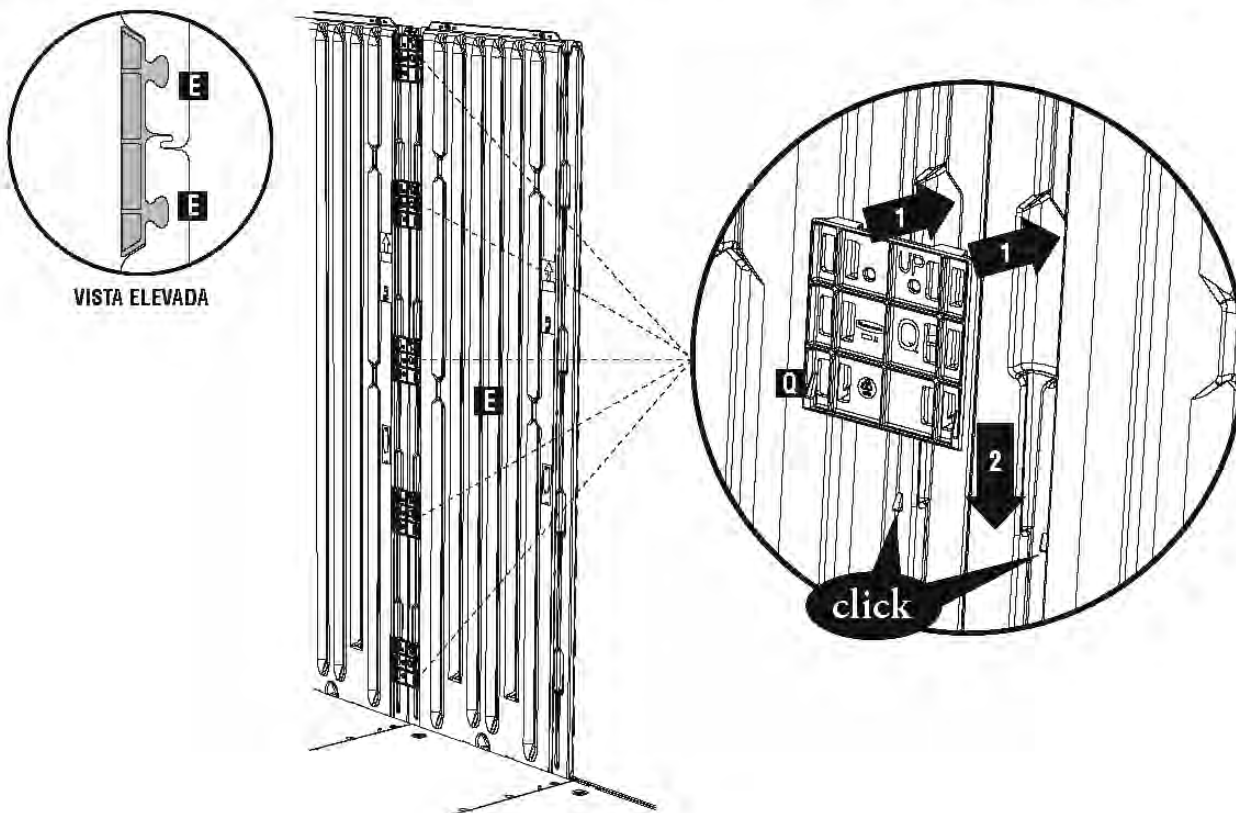
- b.** Alinee la junta de solapa entre el lado derecho repetido (E) y la posición media del lado derecho repetido (E).



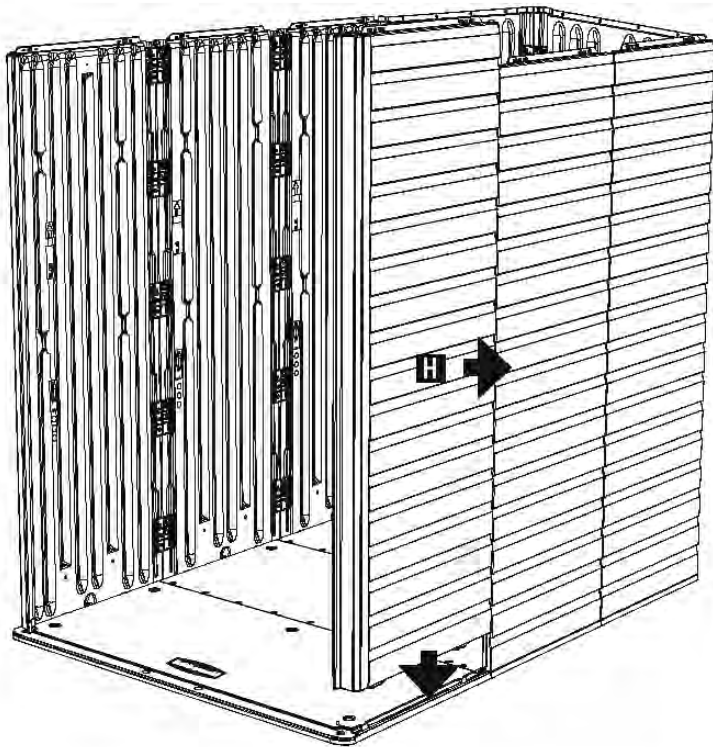
- c.** Encaje la posición media del lado repetido derecho (E) en la posición media del piso repetido (B).



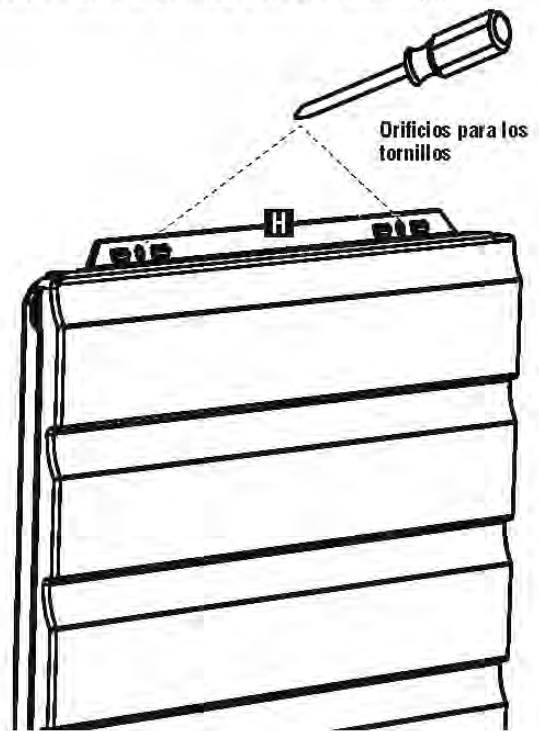
- d.** Instale el conector de pared (Q) en 5 lugares, conectando el lado derecho repetido (E) y la posición media del lado derecho repetido (E). Posicione los conectores en las ranuras y deslice hacia abajo para conectar en su lugar.



3.7 Instalación del panel de pared H

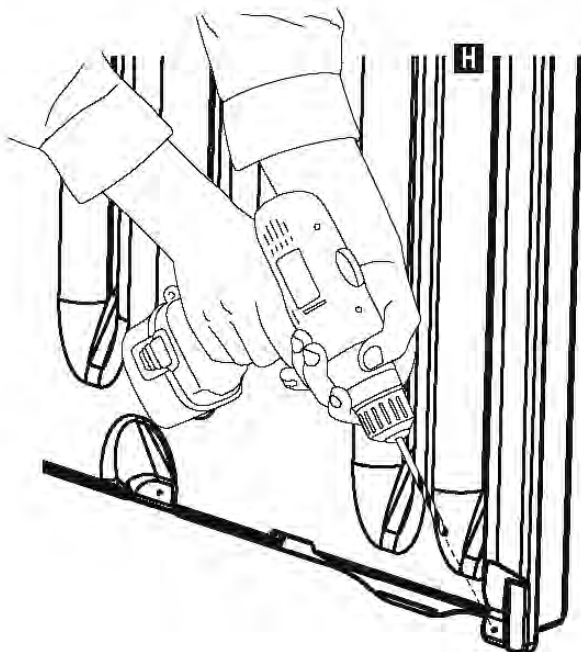


- a. Utilice un destornillador para perforar los orificios para los tornillos en la parte de arriba de los dos lugares de la posición central del lado derecho frontal (H).

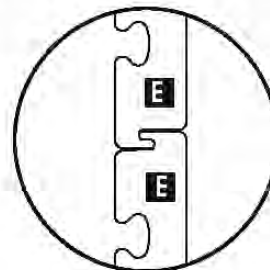


- b. Taladre un orificio piloto (usando una broca de 1/8") en la esquina inferior frontal en la ubicación indicada por los orificios de tornillo.

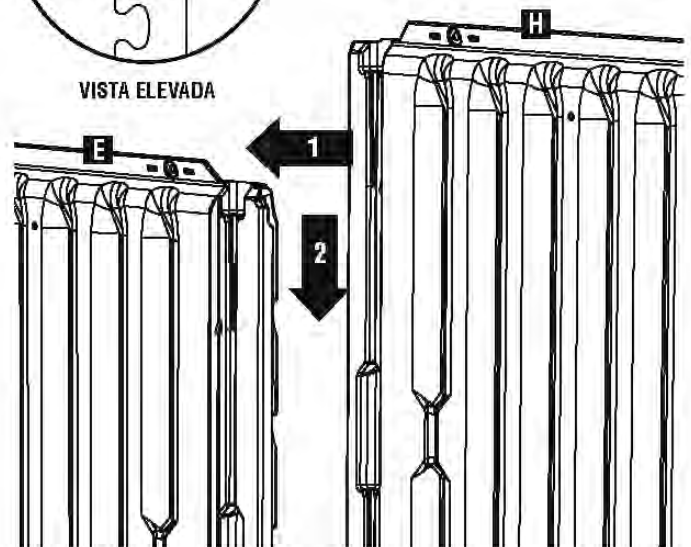
Nota: Este orificio piloto debe ser taladrado a través de ambas paredes.



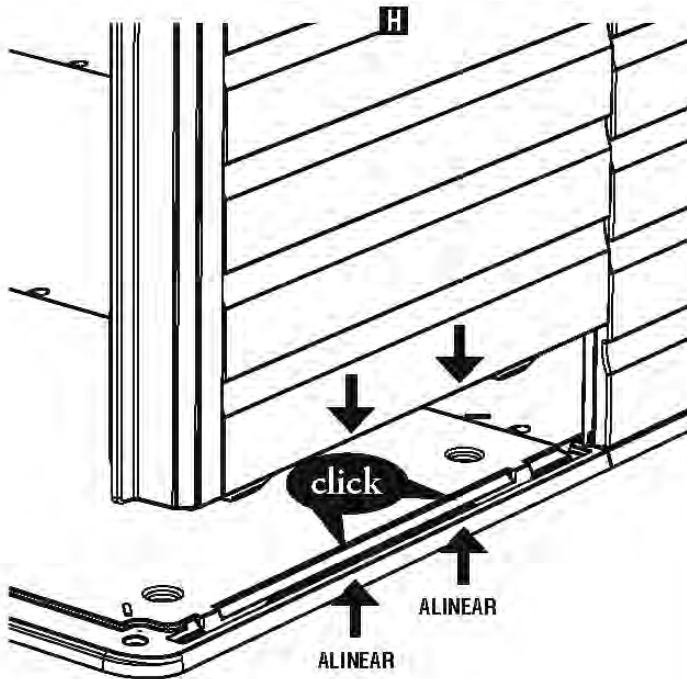
- c. Alinee la junta de solapa entre el lado derecho repetido (H) y la posición media del lado derecho repetido (E).



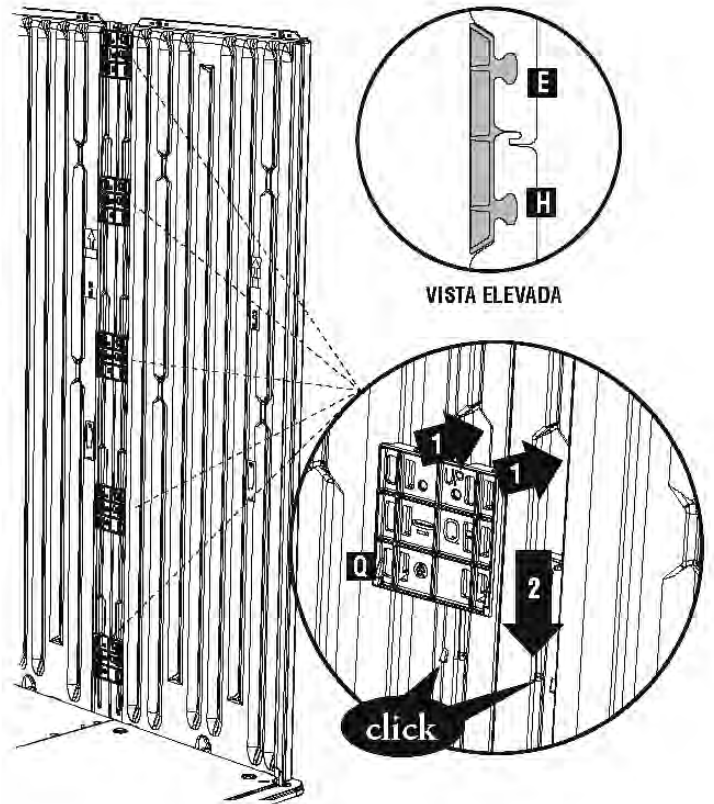
VISTA ELEVADA



d. Encaje el lado derecho frontal (H) en el piso frontal (A).

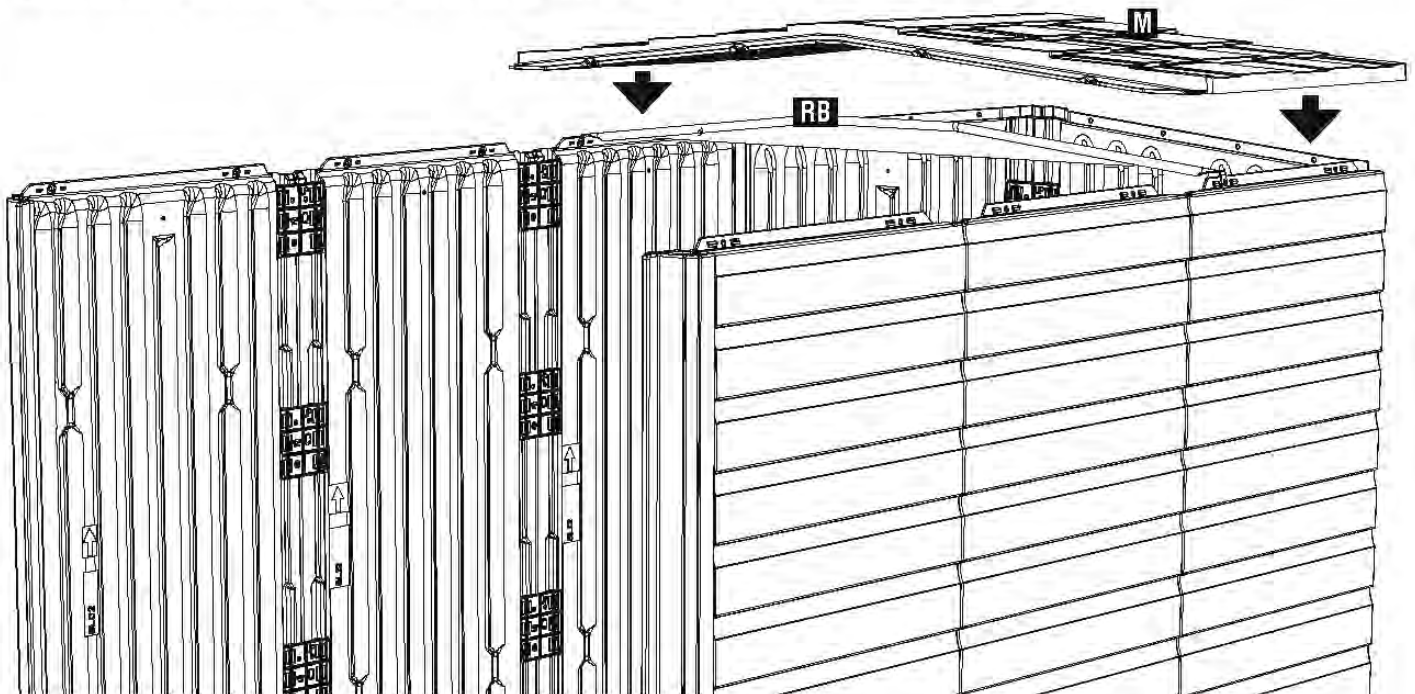


e. Instale el conector de pared (Q) en 5 lugares, conectando la sección media del lado derecho repetido (E) y el lado derecho repetido (E).

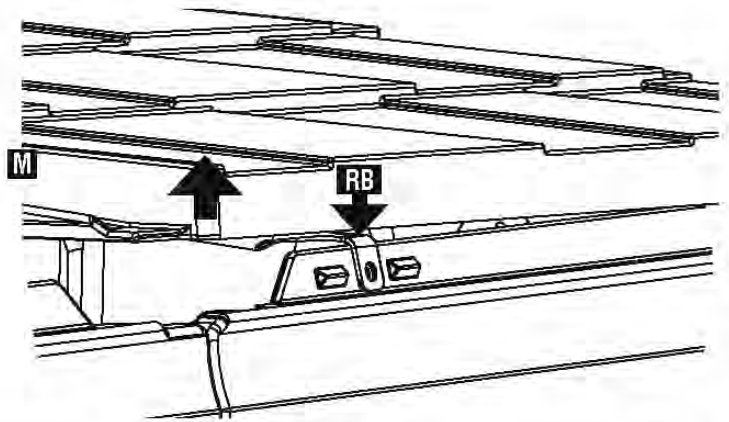


4.0 Instalación del panel de techo M (posición posterior)

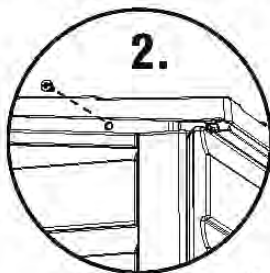
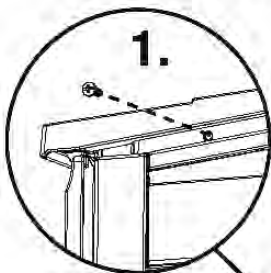
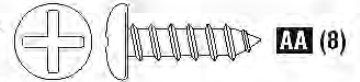
a. Instale un **techo repetido (M)** a la sección posterior. El borde superpuesto del techo apunta hacia la parte posterior del cobertizo. Alinee las lengüetas en la parte superior de la pared posterior a la parte externa de la sobreposición del panel de techo. Alinee las lengüetas en la parte superior de las paredes laterales en las ranuras del techo.



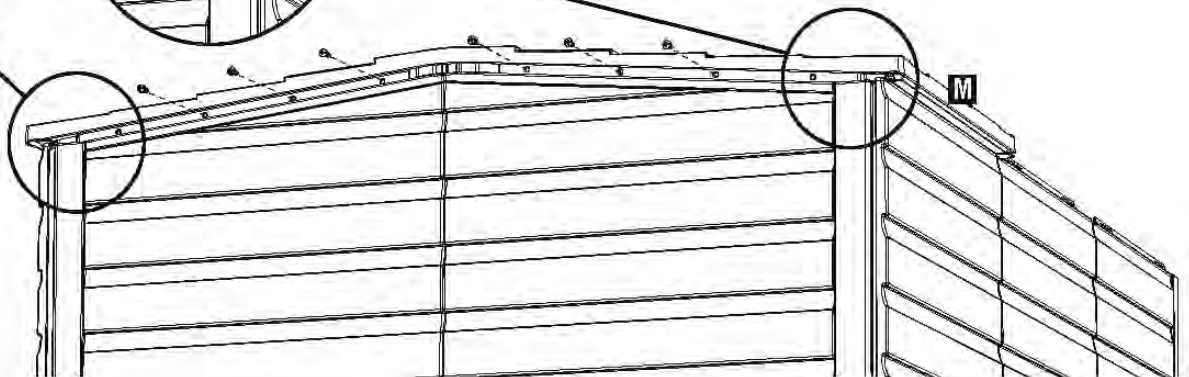
- b.** Levante ligeramente el borde frontal del techo lo suficiente para permitir el posicionamiento de la **abrazadera de techo (RB)** a las paredes laterales, como se muestra. Baje el techo a las paredes y alinee la **abrazadera de techo (RB)** en el espacio del **techo repetido (M)**.



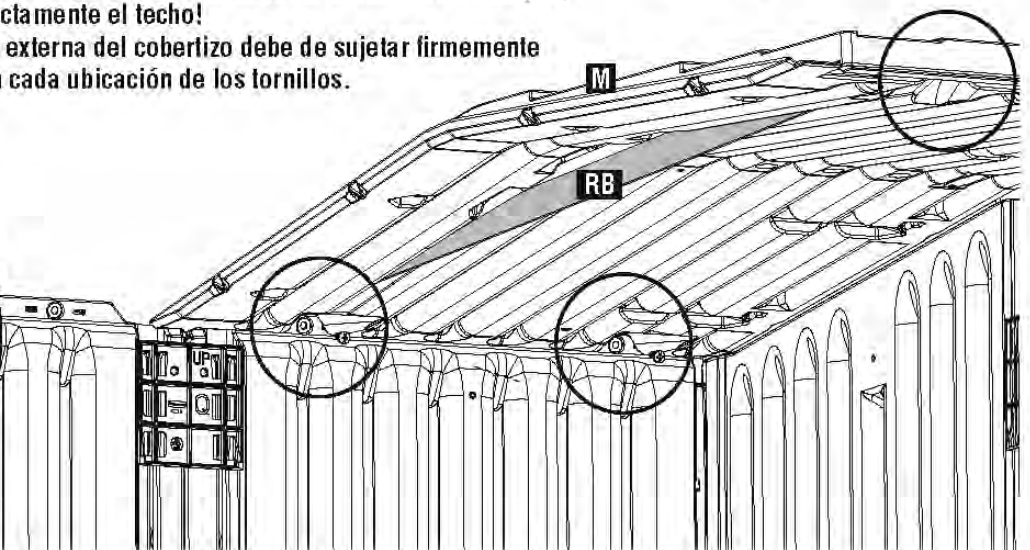
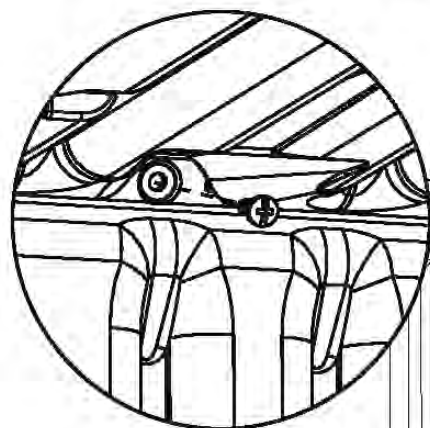
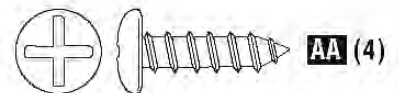
- c.** Asegúrese de que el **techo repetido (M)** esté posicionado contra las lengüetas de la pared posterior. Desde la parte exterior del cobertizo, instale un **tornillo (AA)** en cada esquina. **Mantenga sujetado firmemente el borde del techo en las esquinas mientras instala cada tornillo.** Instale los tornillos restantes en las ubicaciones restantes de las paredes posteriores.



Consejo práctico: La instalación es más fácil usando brocas magnéticas o iniciando el tornillo con un destornillador manual para asentarlos. Los orificios piloto también se pueden taladrar usando una broca de 1/8".

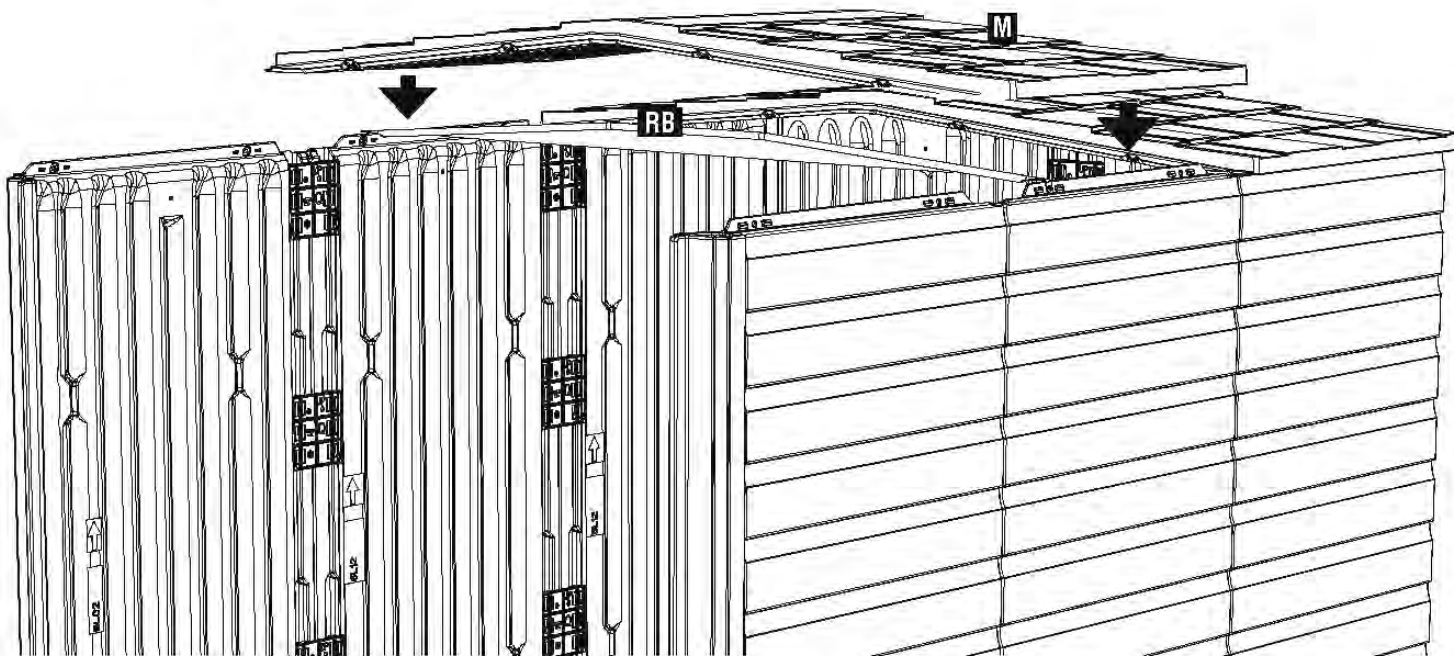


- d.** Desde el interior del cobertizo, instale cuatro **tornillos (AA)** en el techo en cada ubicación de pared lateral. **Nota:** ¡Los tornillos también tienen que pasar a través de la abrazadera de techo (RB) en cada lado para asegurar correctamente el techo! Una segunda persona en la parte externa del cobertizo debe de sujetar firmemente hacia abajo el borde del techo en cada ubicación de los tornillos.

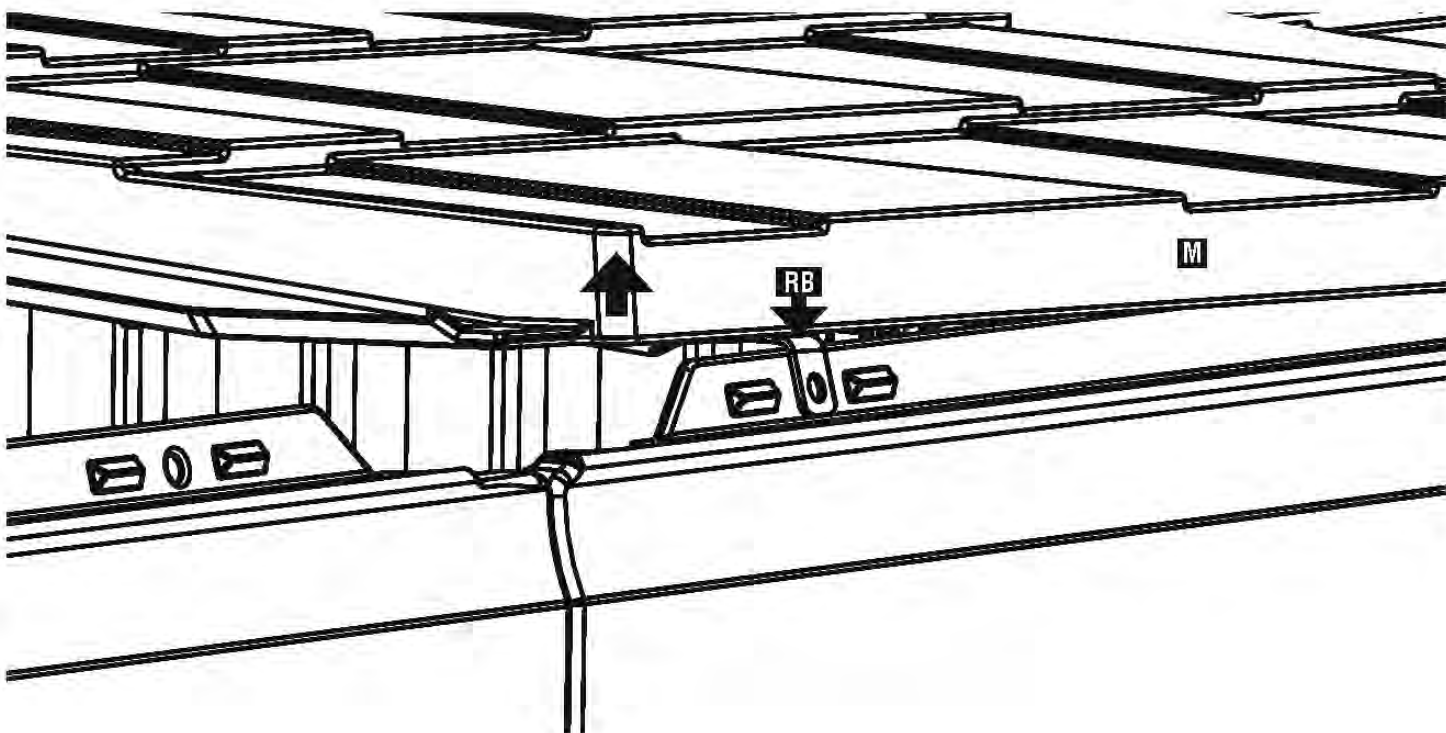


4.1 Instalación del panel de techo M (posición media)

- a.** Instale un **techo repetido (M)** a la sección media. El borde superpuesto del techo apunta hacia la parte posterior del cobertizo.
Alinee las lengüetas en la parte superior de las paredes laterales en las ranuras del techo.



- b.** Levante ligeramente el borde frontal del techo lo suficiente para permitir el posicionamiento de la **abrazadera de techo (RB)** a las paredes laterales, como se muestra.
Baje el techo a las paredes y alinee la **abrazadera de techo (RB)** en el espacio del **techo repetido (M)**.

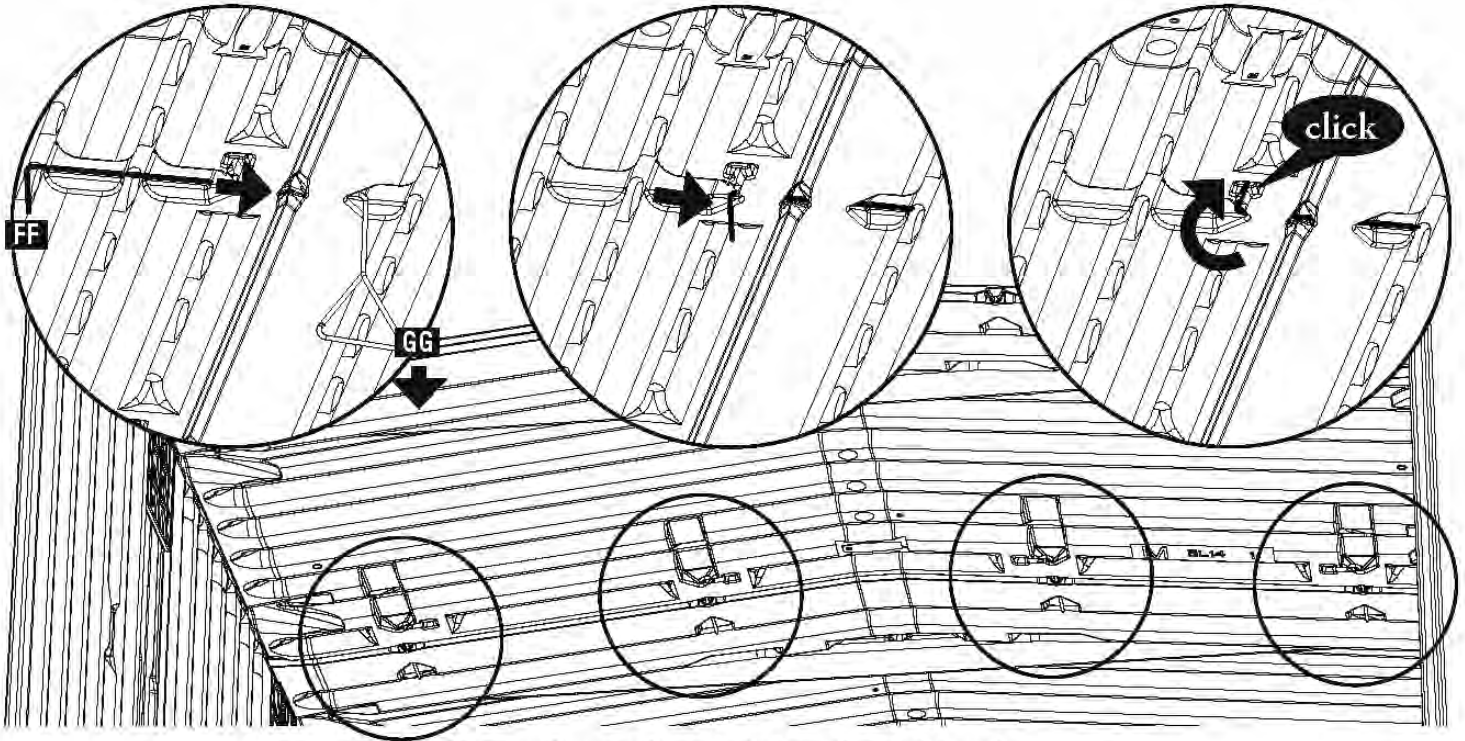


- C.** Asegúrese de que el **techo repetido (M)** parte media esté posicionado bien apretado contra la sección posterior del **techo repetido (M)**.
Coloque los **pasadores de techo (FF)** en los 4 puntos. Si es necesario, use la **herramienta de ensamblaje de pasadores de techo (GG)** para desmontar el techo.

1. Inserte el pasador en la ranura.

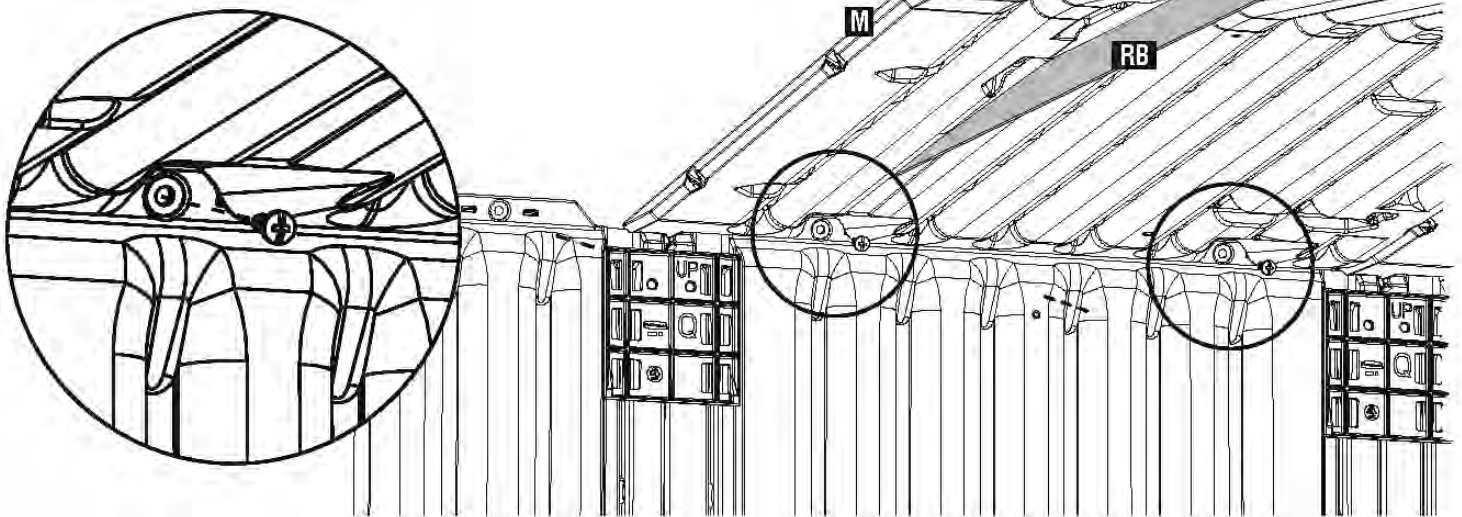
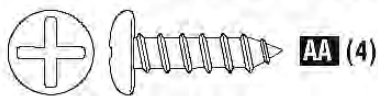
2. Empújelo completamente a través.

3. Gire la cabeza al ras con el techo.



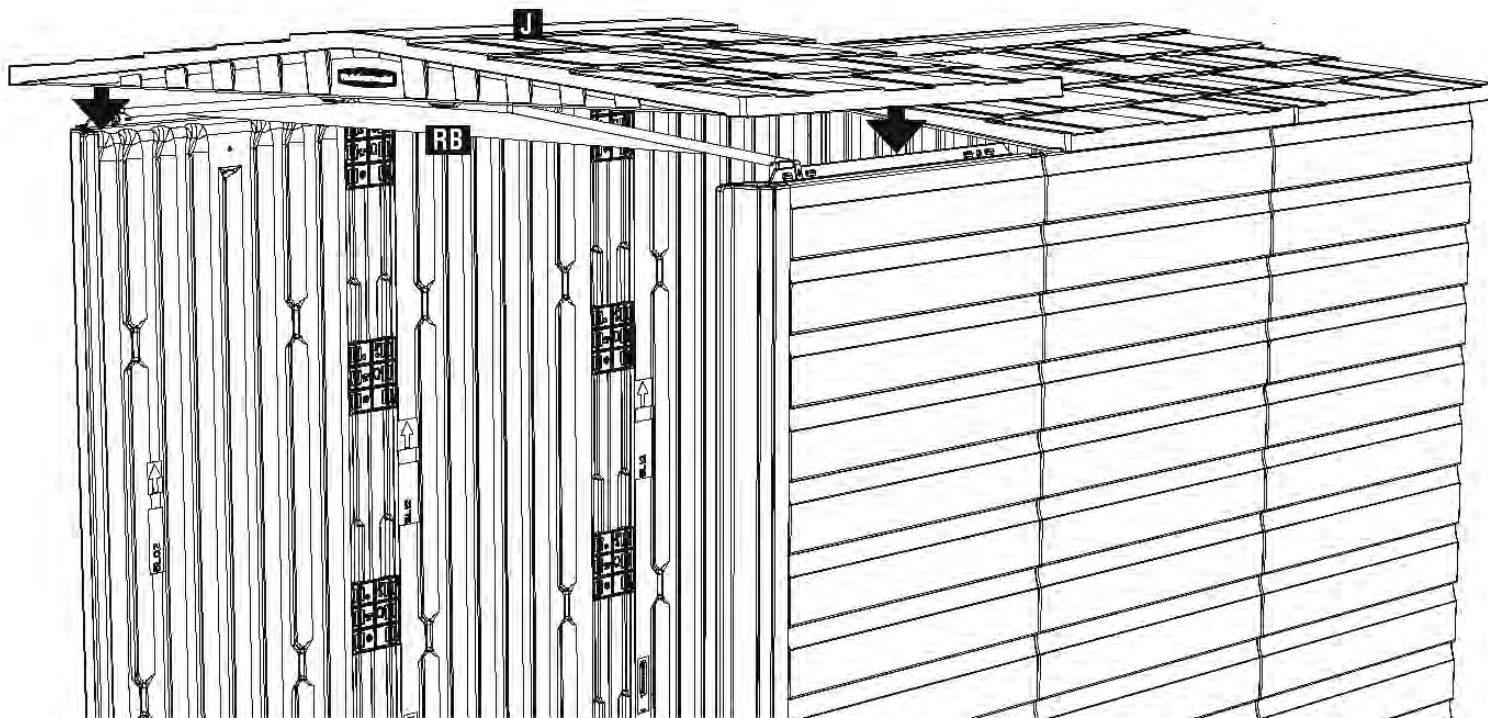
Coloque los pasadores de techo en los cuatro puntos.

- d.** Desde la parte interior del cobertizo, instale cuatro **tornillos (AA)** en el techo en cada lado de la ubicación de pared.
Nota: ¡Los tornillos también tienen que pasar a través de la abrazadera de techo (RB) en cada lado para asegurar correctamente el techo!
Una segunda persona en la parte externa del cobertizo debe de sujetar firmemente hacia abajo el borde del techo en cada ubicación de los tornillos.

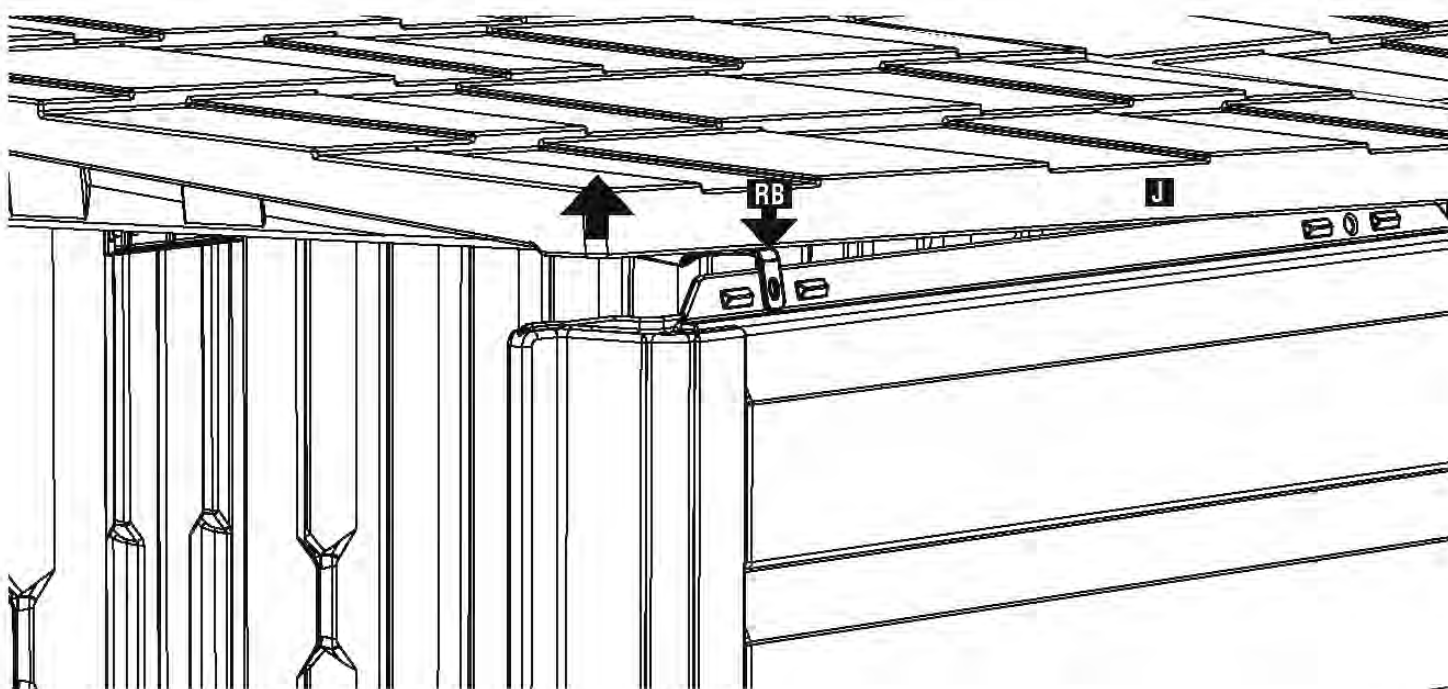


4.2 Panel de techo J (posición frontal) e instalación de puerta

- a. Instale un **techo frontal (J)** en la sección frontal: borde del gablete de techo hacia la parte frontal del cobertizo.
Alinee las lengüetas en la parte superior de las paredes laterales en las ranuras del techo.



- b. Levante ligeramente el borde frontal del techo lo suficiente para permitir el posicionamiento de la **abrazadera de techo (RB)** a las paredes laterales, como se muestra.
Baje el techo a las paredes y alinee la **abrazadera de techo (RB)** en el espacio del **techo repetido (J)**.

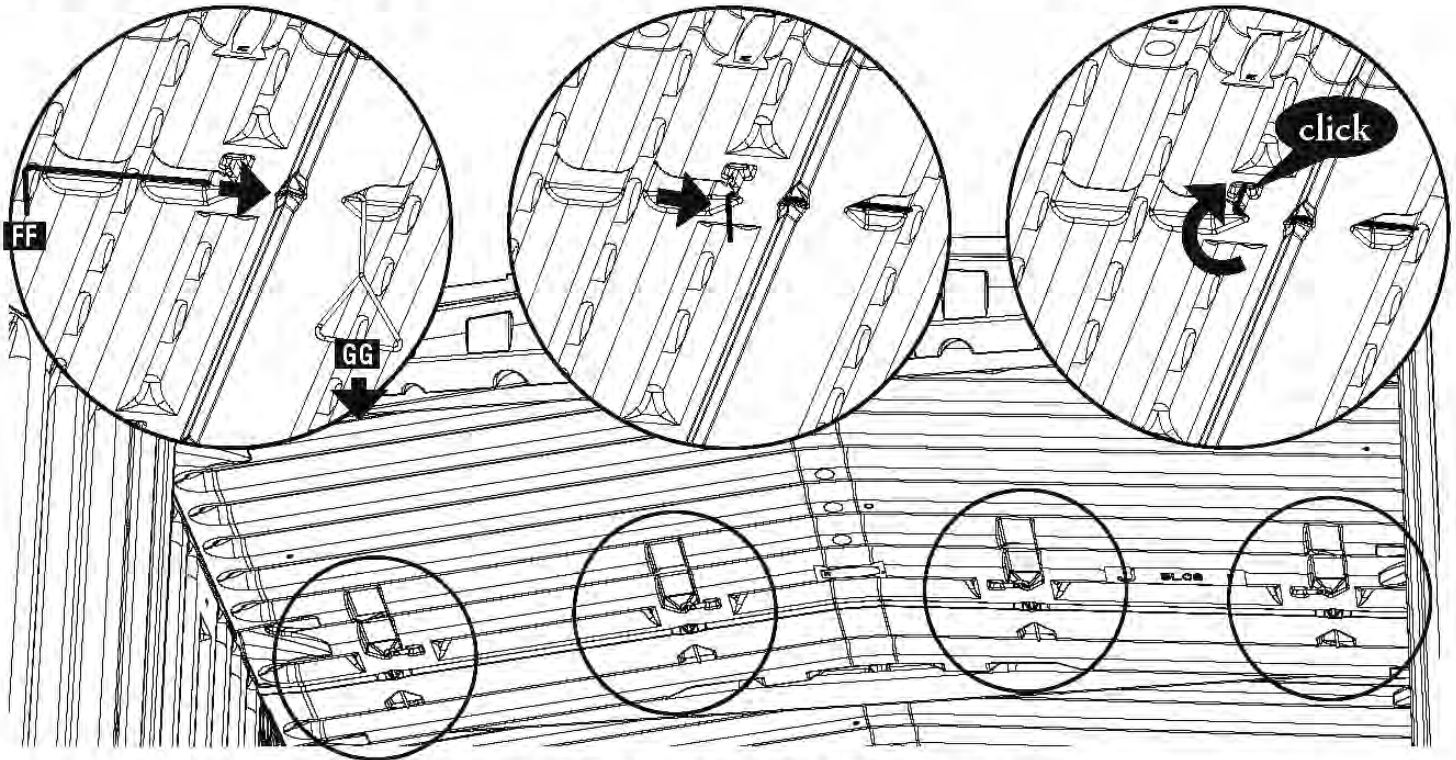


C. Asegúrese que el **techo frontal (J)** esté posicionado bien apretado contra la sección central del **techo repetido (M)**.
 Coloque los **pasadores de techo (FF)** en los 4 puntos. Si es necesario, use la **herramienta de ensamblaje de pasadores de techo (GG)** para desmontar el techo.

1. Inserte el pasador en la ranura.

2. Empújelo completamente a través.

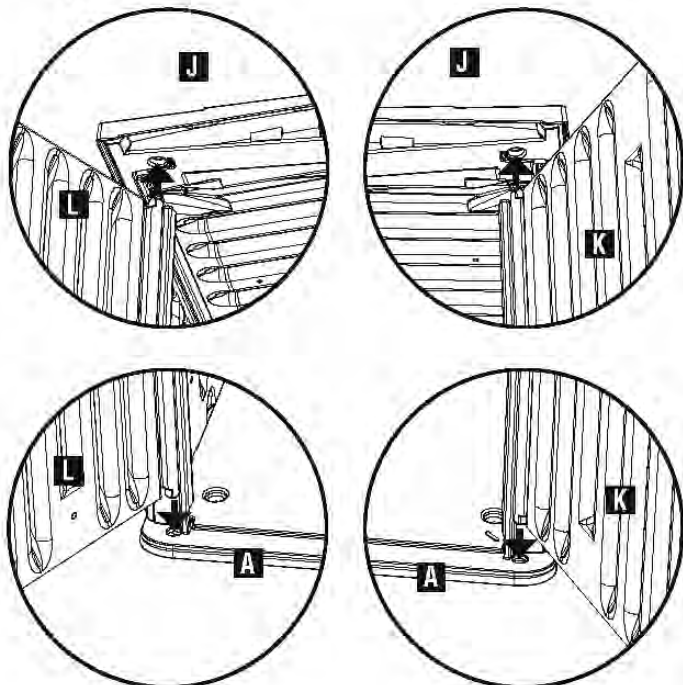
3. Gire la cabeza al ras con el techo.



Coloque los pasadores de techo en los cuatro puntos.

d. Instale la **puerta izquierda (L)** y la **puerta derecha (K)** en las aberturas de bisagra del **piso frontal (A)** y las cavidades de bisagra del **techo frontal (J)**.

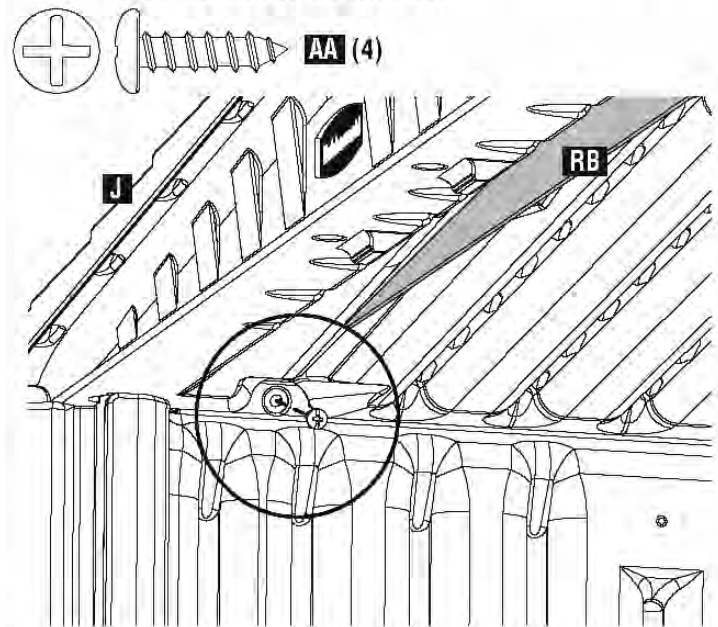
Nota: Solo levante la parte delantera del techo lo suficiente para instalar los pasadores de la bisagra de puerta.



e. Desde el interior del cobertizo, instale cuatro **tornillos (AA)** en el techo en cada ubicación de pared lateral.

Nota: ¡Los tornillos también tienen que pasar a través de la abrazadera de techo (RB) en cada lado para asegurar correctamente el techo!

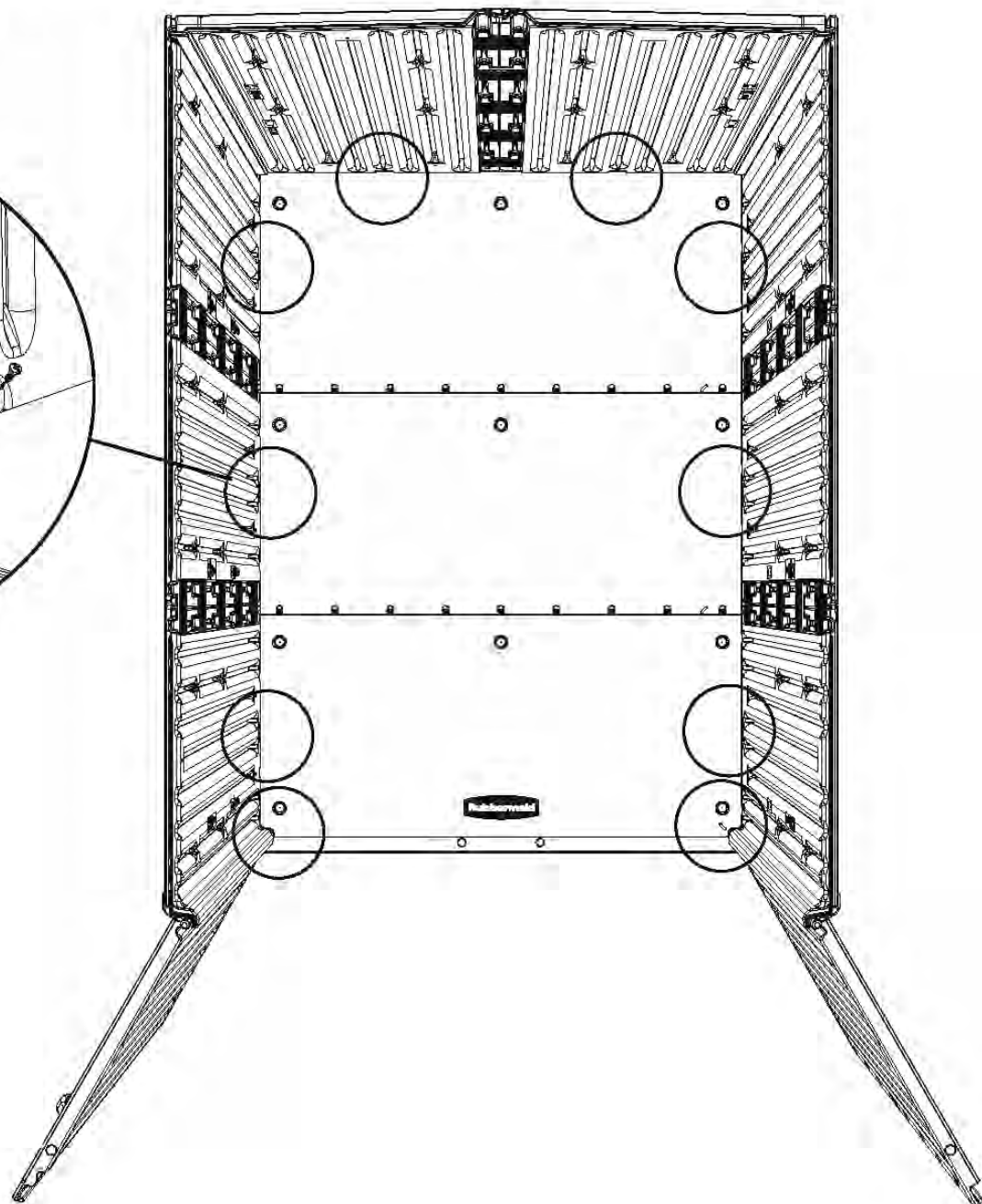
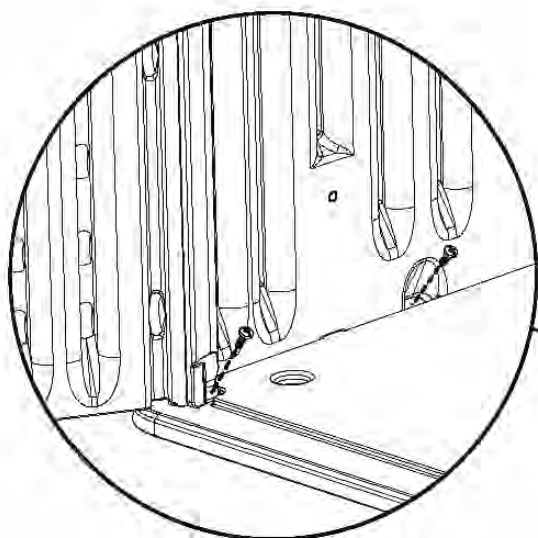
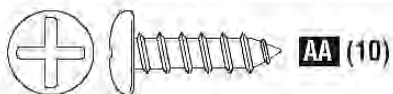
Una segunda persona en la parte externa del cobertizo debe de sujetar firmemente hacia abajo el borde del techo en cada ubicación de los tornillos.



5.0 Terminando la instalación

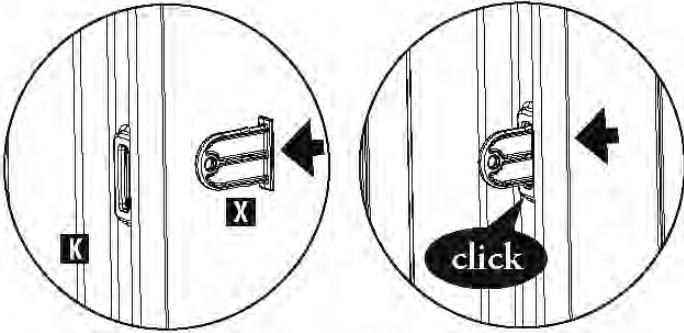
- a.** Instale los tornillos (AA) en las 10 ubicaciones mostradas en la parte inferior de los paneles de pared para asegurar las paredes al piso.

CONSEJO PRÁCTICO: Se pueden taladrar orificios piloto para los tornillos.
PRECAUCIÓN: No ajuste los tornillos excesivamente.

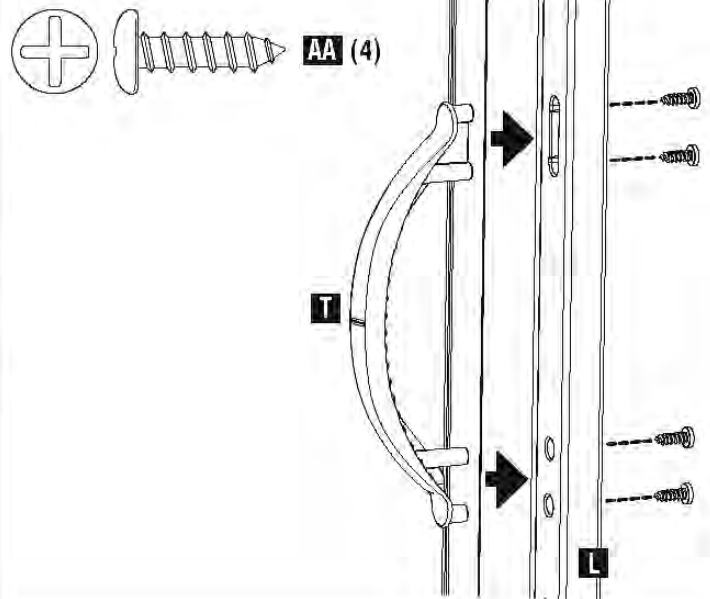


5.1 Terminando la instalación de la puerta

a. Instale el pestillo de cierre (X) en la abertura de la puerta derecha (K).

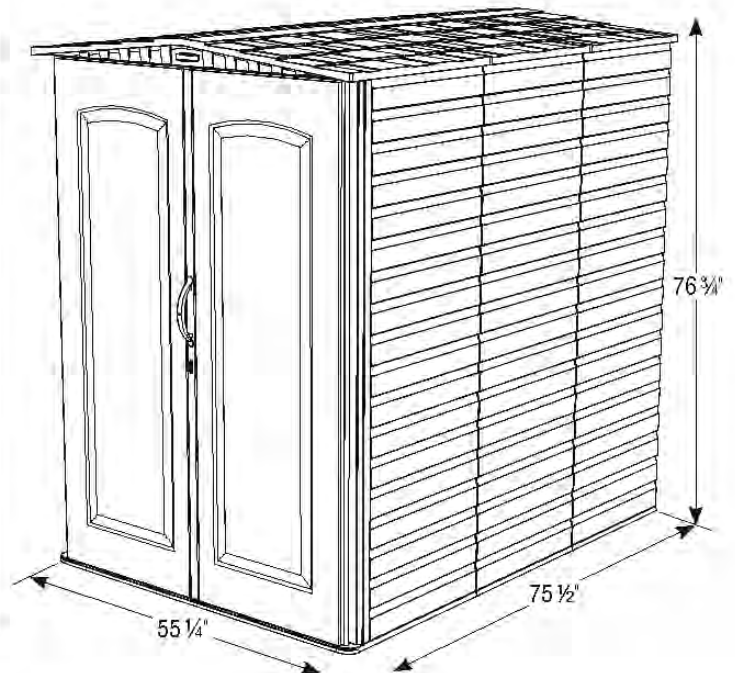


b. Instale la manija de puerta (T) en la puerta izquierda (L) usando cuatro tornillos (AA).



MANTENIMIENTO Y SEGURIDAD

- Revise periódicamente el cobertizo para asegurarse que se mantiene estable y que el lugar se mantiene nivelado.
- En áreas de mucho viento, se recomienda anclar el cobertizo a una plataforma o al piso a través de los orificios en el suelo en los lugares designados y asegurar con los sujetadores correctos (no están incluidos).
- Lave el cobertizo con una manguera de jardín o con una solución de detergente suave. Puede dañar su cobertizo si usa un limpiador abrasivo.
- Artículos calientes, tal como parrillas recién usadas o depósitos de fuego no se deben guardar en el edificio.
- No se deben apoyar artículos pesados contra las paredes ya que esto puede causar distorsiones.
- Mantenga las puertas cerradas cuando no se use para evitar daños del viento.
- No se suba al techo.
- El cobertizo no está diseñado para ser usado como habitación.



A **Newell Rubbermaid** Company

Impreso en los Estados Unidos.
2010 Rubbermaid Incorporated,
Huntersville, NC EEUU 28078-1801

Servicio al cliente

Llamada gratuita: 1-888-895-2110
L-V 8:30AM a 5PM Hora estándar del este

o visítenos en www.rubbermaid.com

Free Manuals Download Website

<http://myh66.com>

<http://usermanuals.us>

<http://www.somanuals.com>

<http://www.4manuals.cc>

<http://www.manual-lib.com>

<http://www.404manual.com>

<http://www.luxmanual.com>

<http://aubethermostatmanual.com>

Golf course search by state

<http://golfingnear.com>

Email search by domain

<http://emailbydomain.com>

Auto manuals search

<http://auto.somanuals.com>

TV manuals search

<http://tv.somanuals.com>