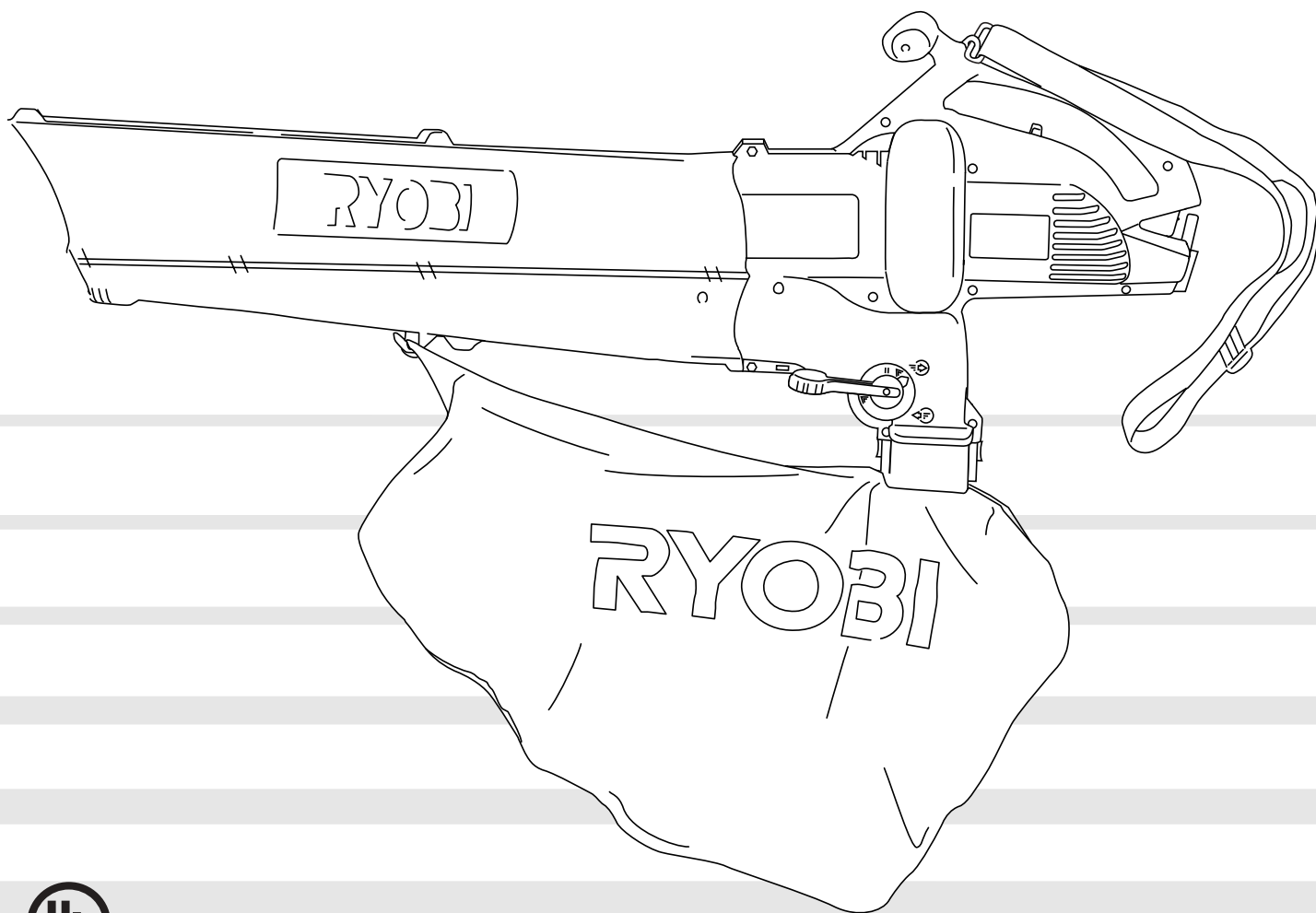


RYOBI®

RESV1300

ELECTRIC MULCHINATOR BLOWER / VACUUM

OPERATOR'S MANUAL



FOR QUESTIONS, CALL 1-800-345-8746 in U.S. or
1-800-668-1238 in CANADA
www.RyobiOutdoor.com

SAVE THESE INSTRUCTIONS

DO NOT THROW AWAY

INTRODUCTION

THANK YOU

Thank you for buying this quality product. This modern outdoor power tool will provide many hours of useful service. You will find it to be a great labor-saving device. This operator's manual provides you with easy-to-understand operating instructions. Read the whole manual and follow all the instructions to keep your new outdoor power tool in top operating condition.

PRODUCT REFERENCES, ILLUSTRATIONS AND SPECIFICATIONS

All information, illustrations and specifications in this manual are based on the latest product information available at the time of printing. We reserve the right to make changes at any time without notice.

Copyright© 2003 MTD SOUTHWEST INC
All Rights Reserved.

SERVICE INFORMATION

Service on this unit both within and after the warranty period should be performed only by an authorized and approved service dealer.

Dial:

- Call **1-800-345-8746** in the United States or **1-800-668-1238** in Canada, to obtain a listing of authorized service dealers near you.

or

- Go to **www.RyobiOutdoor.com** on the World Wide Web for a listing of service dealers near you

DO NOT RETURN THE UNIT TO THE RETAILER.

NOTE: PROOF OF PURCHASE WILL BE REQUIRED FOR WARRANTY SERVICE.

Make sure you carefully read and understand this manual before starting or operating this equipment.

THIS PRODUCT IS COVERED BY ONE OR MORE US PATENTS, OTHER PATENTS PENDING.

TABLE OF CONTENTS

I.	Rules for Safe Operation	3-6
	A. Important Safety Information	3
	B. Safety and International Symbols	5
	C. Know Your Unit	6
II.	Assembly Instructions	7-8
	A. Attaching and Removing the Blower/Vacuum Tube	7
	B. Attaching and Removing the Vacuum Bag	8
	C. Installing the Shoulder Harness	8
III.	Operating Instructions	9-13
	A. Connecting the Power Cord	9
	B. Starting/Stopping Instructions	9
	C. Holding the Blower/Vacuum	10
	D. Air Vents	10
	E. Operating as a Blower	11
	F. Operating as a Vacuum	12
	G. Clearing a Blocked Impeller	13
	H. Empty the Vacuum Bag	13
IV.	Maintenance and Repair Instructions	14
	A. Servicing Double-Insulated Units	14
	B. Cleaning the unit	14
	C. Cleaning the Vacuum Bag	14
	D. Storage	14
	E. Inspecting Extension Cords	14
	F. Accessories/Replacement Parts	14
V.	Specifications	15
VI.	Troubleshooting	15
VII.	Warranty	18
VII.	Parts List	Inside Back Cover

CONTENTS OF CARTON

This unit includes the following:

- Blower/Vacuum Model RESV1300
- Blower/Vacuum Tube
- Shoulder Strap
- Vacuum bag
- Hardware Pack
- Operator's Manual
- Owner's Registration Card

Examine all parts to make certain that nothing is missing and no breakage has occurred during shipping. Damaged or missing parts must be replaced before using this unit.

RULES FOR SAFE OPERATION

The purpose of safety symbols is to attract your attention to possible dangers. The safety symbols, and their explanations, deserve your careful attention and understanding. The safety warnings do not by themselves eliminate any danger. The instructions or warnings they give are not substitutes for proper accident prevention measures.

SYMBOL MEANING



SAFETY ALERT: Indicates danger, warning or caution. Attention is required in order to avoid serious personal injury. May be used in conjunction with other symbols or pictographs.

NOTE: Advises you of information or instructions vital to the operation or maintenance of the equipment.

SYMBOL MEANING



DANGER: Failure to obey a safety warning will result in serious injury to yourself or to others. Always follow the safety precautions to reduce the risk of fire, electric shock and personal injury.



WARNING: Failure to obey a safety warning can result in injury to yourself and others. Always follow the safety precautions to reduce the risk of fire, electric shock and personal injury.



CAUTION: Failure to obey a safety warning may result in property damage or personal injury to yourself or to others. Always follow the safety precautions to reduce the risk of fire, electric shock and personal injury.

• IMPORTANT SAFETY INSTRUCTIONS •

READ ALL INSTRUCTIONS BEFORE OPERATING



WARNING: When using the unit, you must follow the safety rules. Please read these instructions before operating the unit in order to ensure the safety of the operator and any bystanders. Please keep these instructions for later use.

- Read the instructions carefully. Be familiar with the controls and proper use of the unit.
- Do not operate this unit when tired, ill or under the influence of alcohol, drugs or medication.
- Children and teens under the age of 15 must not use the unit, except for teens guided by an adult.
- Before each use, thoroughly inspect your unit for loose or damaged parts. Do not use until adjustments or repairs are made.
- All guards and safety attachments must be installed properly before operating the unit.
- Inspect the area before starting the Blower/ Vacuum. Remove all debris and hard or sharp objects such as glass, wire, etc.



DANGER: When using electric gardening appliances, basic safety precautions should always be followed to reduce the risk of fire, electric shock and personal injury. Carefully read and understand the entire operator's manual before using your unit. Pay close attention to the operating instructions and safety warnings.

- Use the unit only in daylight or good artificial light.
- Keep all bystanders, especially children and pets, at least 50 feet (15 m) away from the unit while operating.

ELECTRICAL SAFETY WARNINGS

- Since the tool is double-insulated, a 2-wire extension cord (an extension cord without a ground) may be used. A 3-wire extension cord (an extension cord with a ground) that uses a NEMA type connector (parallel blade, U ground) is recommended. Extension cords are available from your local retailer. Use only round-jacketed extension cords approved for outdoor use.
- This tool is double-insulated. Repair or replace damaged cords.



WARNING: To reduce the risk of electrical shock, use only SW-A, SOW-A, STW-A, STOW-A, SJW-A, SJOW-A, SJTW-W or SJTOW-A cord types.

- To reduce the risk of electrical shock, this unit has a polarized plug (one blade is wider than the other). This unit will fit with a polarized plug in one way only. If the plug does not fit fully into the unit, reverse the plug. If it still does not fit, use a cord with the correct connection. Do not modify the unit in any way.

MINIMUM WIRE SIZE FOR EXTENSION CORDS FOR 120 VOLT APPLIANCES USING 0-12 AMPS*

Cord length (ft.)	25	50	100	150
Wire size (AWG)*	16	16	16	14

*The wire size (AWG) for appliances using 12 to 16 amps is 14 AWG for 25 feet, 12 AWG for 50 feet, and not recommended for 100 or 150 feet.

RULES FOR SAFE OPERATION

- **CORD SETS:** Make sure your cord set is in good condition, with a cord that is heavy enough to carry the current that your unit will draw. An undersized cord set will cause a drop in line voltage resulting in a loss of power, as well as overheating. The table shown above illustrates the correct size to use depending on the cord length and nameplate amperage rating. If in doubt, use the next heavier size line gauge. The smaller the gauge number, the heavier the cord. To prevent the cord from disconnecting from the unit, use the cord hook shown in the *Operating Instructions*.
- Ground Fault Circuit Interrupter (GFCI) protection should be provided on the circuit(s) or outlet(s) that will be used for the unit. Use receptacles with built-in GFCI protection for an extra measure of safety.
- A nameplate on your unit indicates the voltage used. Never connect the unit to an AC voltage that differs from this voltage.
- Inspect all extension cords and the unit power connection periodically. Look closely for deterioration, cuts or cracks in the insulation. Also inspect the connections for damage. Repair or replace the cords if any defects appear.
- Avoid dangerous environments. Never operate your unit in damp or wet conditions. Moisture is a shock hazard.
- Do not use the unit in the rain.
- Do not handle the plug or the unit with wet hands.

WHILE OPERATING

- Wear safety glasses or goggles that are marked as meeting ANSI Z87.1-1989 standards. Also wear ear/hearing protection when operating this unit. Wear a face or dust mask if the operation is dusty. Long sleeve shirts are recommended.
- Wear heavy, long pants, boots and gloves. Do not wear loose clothing, jewelry, short pants, sandals or go barefoot. Secure hair above shoulder level.
- Avoid accidental starting. Do not carry around a unit that is plugged in with your finger on the trigger switch. Be sure the switch is in the off position when plugging in the unit.
- Do not set unit on any surface except a clean, hard area while engine is running. Debris such as gravel, sand, dust, grass, etc. could be picked up by the air intake and thrown out by the discharge opening, damaging unit, property, or causing serious injury to bystanders or operator.
- Use the right tool. Only use this tool for the purpose intended.
- Do not overreach. Always keep proper footing and balance. Do not operate from unstable surfaces like ladders, trees, slopes or rooftops.
- Do not abuse the power cord. Do not pull or carry the unit by the cord, use the cord as a handle, close a door on the cord, or pull the cord around sharp edges or corners. Keep the cord away from heated surfaces, oil and sharp edges.
- Do not unplug by pulling on the cord. To unplug, grasp the plug, not the cord.
- Always remain alert. Use common sense. To prevent injury to yourself and others, do not operate this unit if you are fatigued.
- Do not operate the unit while under the influence of drugs, alcohol or medication.

- Do not leave the Blower/Vacuum plugged in when not in use, changing tubes, or while being serviced.
- Do not put any object into openings. Do not use with any opening blocked; keep free of dirt, debris and anything that may reduce the air flow.
- Keep hair, loose clothing, fingers, and all parts of body away from openings and moving parts.
- Use only Genuine Factory Parts™ replacement parts when servicing this unit. These parts are available from your authorized service dealer. Do not use unauthorized parts, accessories, or attachments for this unit. Doing so could lead to serious injury to the user, or damage to the unit, and void your warranty.
- Do not force unit. It will do the job better and with less likelihood of injury at a rate for which it was designed.
- Never use the Blower/Vacuum without the blower/vacuum tube and vacuum bag attached.
- Turn off all controls before unplugging.
- Unplug the Blower/Vacuum before attempting to install or remove the blower/vacuum tube or vacuum bag. The unit must be unplugged, and the impeller blades stopped to avoid contact with the rotating blades.

WHILE OPERATING UNIT AS A BLOWER

- Never point the blower in the direction of people or pets, or in the direction of windows. Always direct the blowing debris away from people, animals, and windows. Use extra caution when blowing debris near solid objects such as trees, automobiles, walls, etc.

WHILE OPERATING UNIT AS A VACUUM

- Avoid situations that could catch the vacuum bag on fire. Do not operate near an open flame. Do not vacuum warm ash from fireplaces, barbecue pits, brush piles, etc. Do not vacuum discarded cigars or cigarettes unless the cinders are completely cool.
- The unit is designed to pickup dry material such as leaves, grass, small twigs, and bits of paper. Do not attempt to vacuum wet debris and/or standing water as this may result in damage to the blower/ vacuum. To avoid severe damage to the impeller, do not vacuum metal, broken glass, etc.

OTHER SAFETY WARNINGS

- Be sure to secure the unit while transporting.
- Store the unit in a dry area, locked up to prevent unauthorized use or damage, and stored in a high place out of the reach of children.
- Never douse or squirt the unit with water or any other liquid. Keep handles dry, clean and free from debris. Clean after each use. See the *Cleaning and Storage* instructions.
- Keep these instructions. Refer to them often and use them to instruct other users. If you loan someone this unit, also loan them these instructions.

SAVE THESE INSTRUCTIONS

RULES FOR SAFE OPERATION

SAFETY AND INTERNATIONAL SYMBOLS

This operator's manual describes safety and international symbols and pictographs that may appear on this product. Read the operator's manual for complete safety, assembly, operating and maintenance and repair information.

SYMBOL

MEANING



- **SAFETY ALERT SYMBOL**
Indicates danger, warning, or caution. May be used in conjunction with other symbols or pictographs.



- **WARNING - READ OPERATOR'S MANUAL**
Read the Operator's Manual(s) and follow all warnings and safety instructions. Failure to do so can result in serious injury to the operator and/or bystanders.



- **WEAR EYE AND HEARING PROTECTION**
WARNING: Thrown objects and loud noise can cause severe eye injury and hearing loss. Wear eye protection meeting ANSI Z87.1-1989 standards and ear protection when operating this unit. Use a full face shield when needed.



- **THROWN OBJECTS AND ROTATING CUTTER CAN CAUSE SEVERE INJURY**
WARNING: Keep clear of blower outlet. Never point the blower at yourself or others. Objects can be thrown from blower. Do not operate unit without proper attachments and guards in place.

SYMBOL

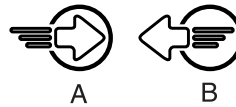
MEANING



- **DO NOT USE IN THE RAIN**
WARNING: Avoid dangerous environments. Never operate your unit in the rain, or in damp or wet conditions. Moisture is a shock hazard.



- **BLOWERS - ROTATING IMPELLER BLADES CAN CAUSE SEVERE INJURY**
WARNING: Stop the engine and allow the impeller to stop before opening the vacuum door, installing or changing tubes or bag, or before cleaning or performing any maintenance.



- **BLOWER/VACUUM MODE CHANGE-OVER LEVER**
A - Vacuum mode
B - Blower mode



- **KEEP BYSTANDERS AWAY**
WARNING: Keep all bystanders, especially children and pets, at least 50 feet (15 m.) from the operating area.

RULES FOR SAFE OPERATION

KNOW YOUR UNIT

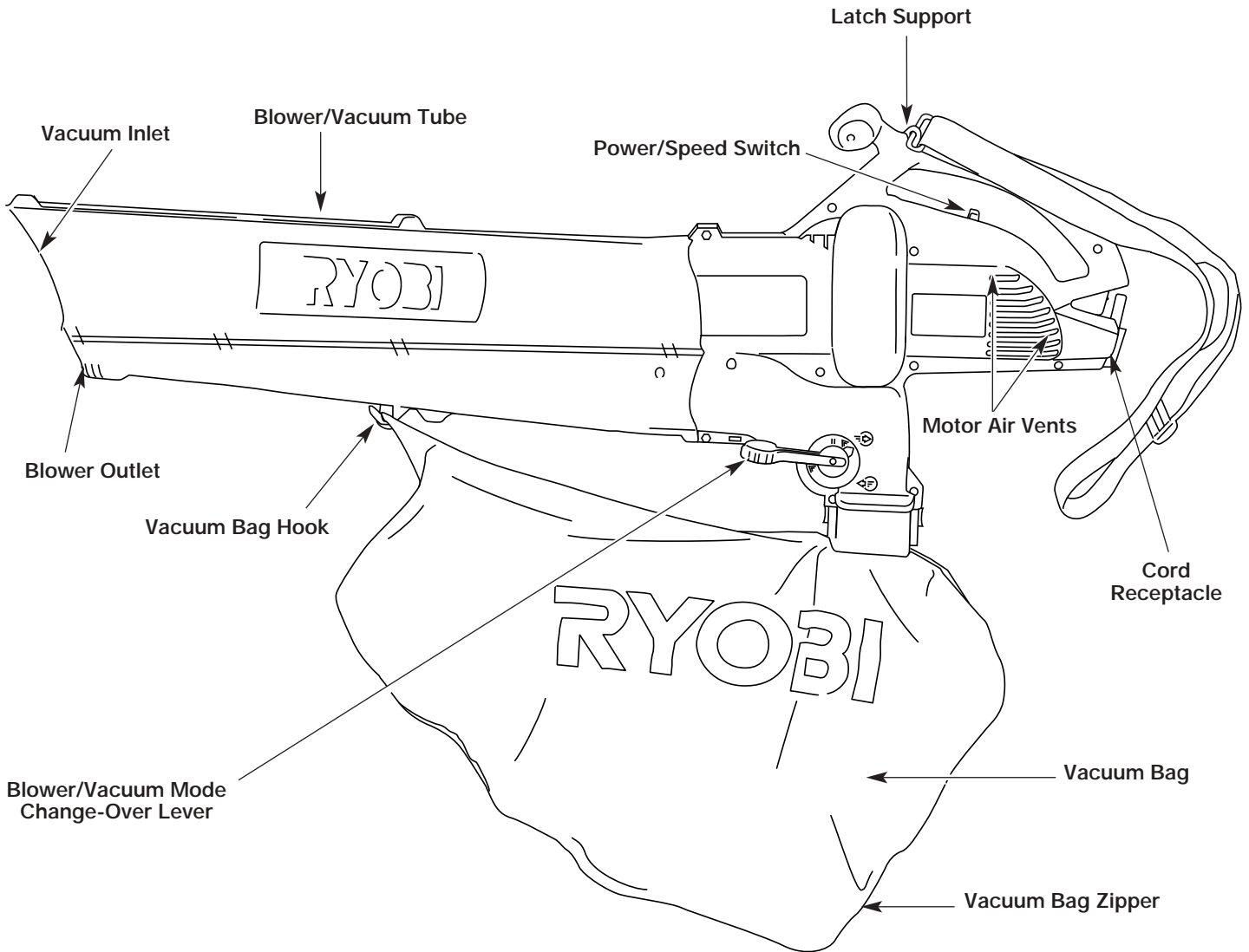
APPLICATION

As a blower:

- Cleaning of yards, garages, driveways, porches, patios, around walls, fences, etc.

As a vacuum:

- Picking up leaves, light debris, etc.



ASSEMBLY INSTRUCTIONS

ATTACHING AND REMOVING THE BLOWER/VACUUM TUBE



WARNING: To avoid serious personal injury, the blower/vacuum tube and vacuum bag must be used when operating this unit.

Attaching

NOTE: The Blower/Vacuum Tube comes unassembled on this unit. Installation is required to provide safe and easy use for the operator.



WARNING: To prevent serious injury, make sure the unit is in the off position, it is unplugged, and the impellers have stopped before attaching or removing tubes.

1. Remove the screws and nuts provided from the hardware pack.
2. Insert the blower/vacuum tube all the way into the opening on the motor housing until the holes in the tabs on the blower/vacuum tube align with the screw holes in the housing (Fig. 1).
3. Insert the 2 (two) 8-32 x 3/4" slotted T20 Torx screws into the right side of the motor housing and the 2 (two) nuts into the left side of the motor housing (Fig. 1).

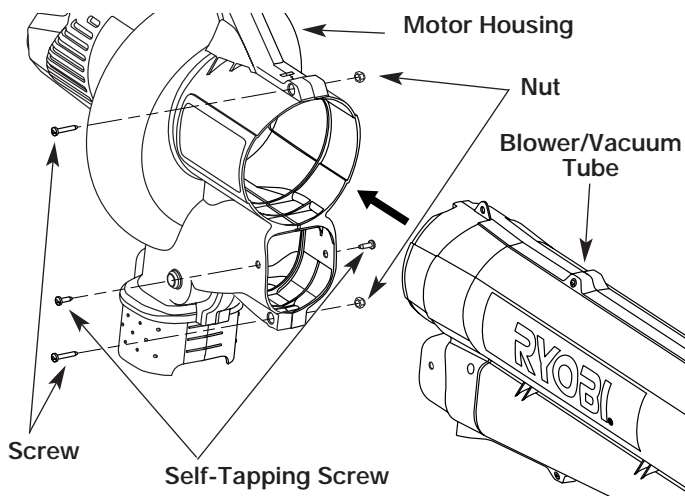


Fig. 1

4. Tighten the screws firmly. Do not over-tighten.
5. Install the 2 (two) remaining self-tapping 8-16 x 3/4" slotted T20 Torx screws into the holes on either side of the housing (Fig. 1). Tighten until snug, do not over-tighten.

Removing

NOTE: It may be necessary to remove the Blower/Vacuum Tube to clear a blocked tube or impeller.



WARNING: To prevent serious injury, make sure the unit is in the off position, it is unplugged, and the impellers have stopped before attaching or removing tubes.

1. Remove the 2 (two) self-tapping screws from either side of the housing.
2. Remove the 2 (two) screws and nuts holding the blower/vacuum tube on the housing (Fig. 2).

NOTE: Keep the hardware in a safe place for future use.

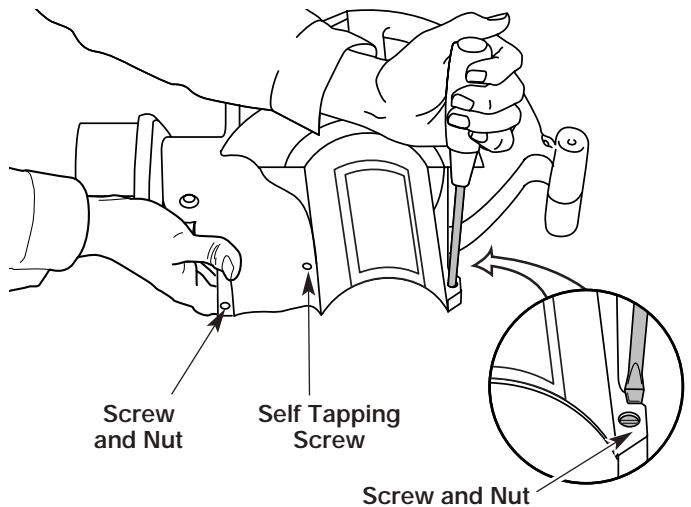


Fig. 2

3. Remove the blower/vacuum tube from the motor housing.
4. Replace Blower/Vacuum Tube before use.

ASSEMBLY INSTRUCTIONS

ATTACHING AND REMOVING THE VACUUM BAG

Attaching

1. Attach the vacuum bag to the vacuum bag hook on the blower/vacuum tube (Fig. 3).

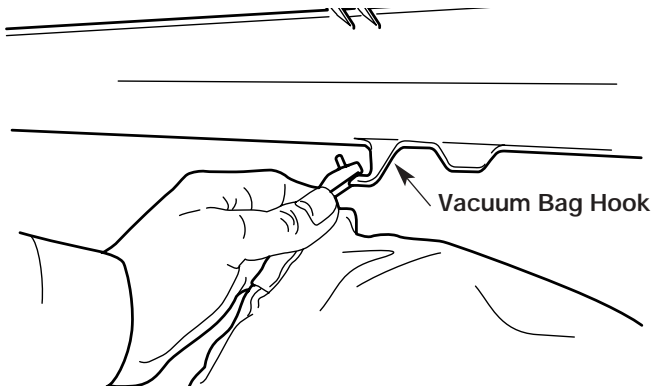


Fig. 3

2. Slide the vacuum bag tube over the debris exhaust tube on the housing. Push the tube until the latching tabs on both sides click into place, securing the bag on the unit (Fig. 4).

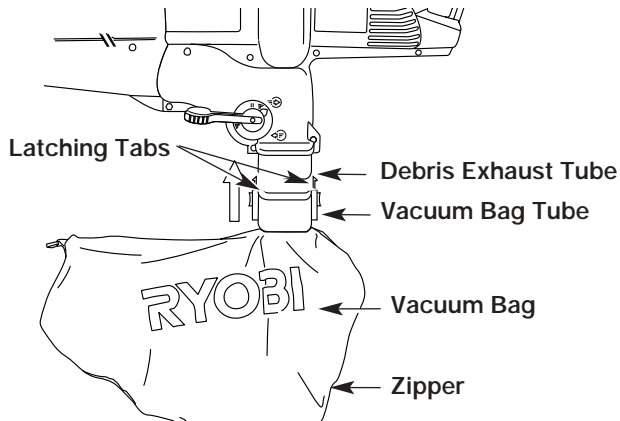


Fig. 4

Removing

1. Press the latching tabs on both sides of the vacuum bag tube and pull the vacuum bag down from the unit (Fig. 5).
2. Detach the vacuum bag from the vacuum bag hook.

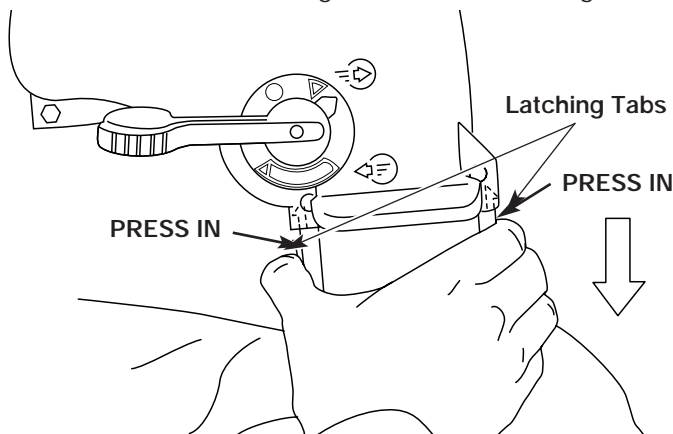


Fig. 5

INSTALLING THE SHOULDER HARNESS

1. Push the strap through the center of the buckle.
2. Pull the strap over the cross bar and down through the slot in the buckle (Fig. 6).

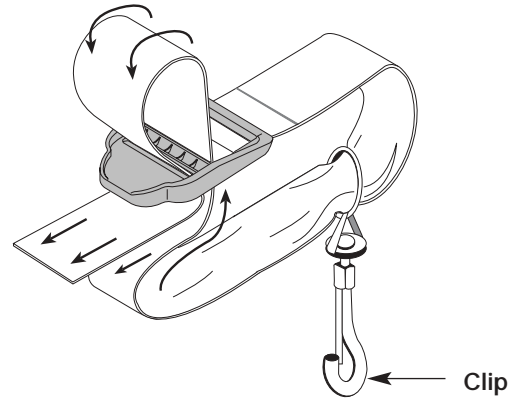


Fig. 6

3. Snap the clip on to the support fitting (Fig. 7).

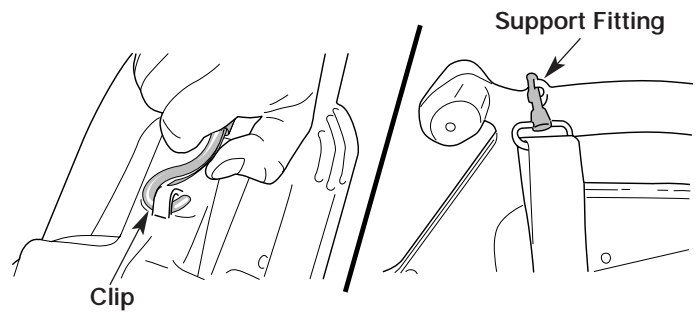


Fig. 7

4. While standing in the operating position adjust length to fit the operator's size. Pull tab to lengthen, pull strap to shorten (Fig 8).

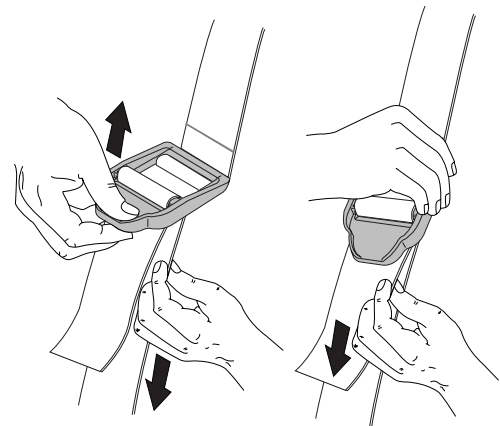


Fig. 8

OPERATING INSTRUCTIONS

CONNECTING THE POWER CORD

Use a minimum 25 foot (7.6 m.) long, 16AWG, outdoor electrical cord when using this unit. Other sizes include:

MINIMUM WIRE SIZE FOR EXTENSION CORDS FOR 120 VOLT APPLIANCES USING 0-12 AMPS				
Cord length (ft.)	25	50	100	150
Wire size (AWG)	16	16	16	14



WARNING: To reduce the risk of electrical shock, this unit has a polarized plug (one blade is wider than the other) and will require the use of a polarized extension cord.

This unit plug will only fit into a polarized extension cord in one orientation. If the plug does not fully fit into the extension cord, reverse the plug. If the plug still does not fit, obtain a correct polarized extension cord.

A polarized extension cord will require the use of a polarized wall outlet. This plug will only fit into a polarized wall outlet in a specific orientation. If the plug does not fit fully into the wall outlet, reverse the plug. If the plug still does not fit, contact a qualified electrician to install the proper wall outlet. Do not change the unit plug, extension cord receptacle, or extension cord plug in any way.

1. Secure the extension cord to the motor housing as shown (Fig. 9). This prevents accidental removal of the electrical cord.

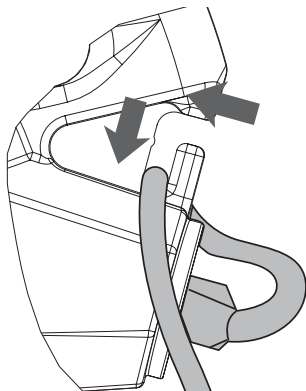


Fig. 9

2. Plug the female end of the electrical cord into the receptacle at the back of the unit (Fig. 10).

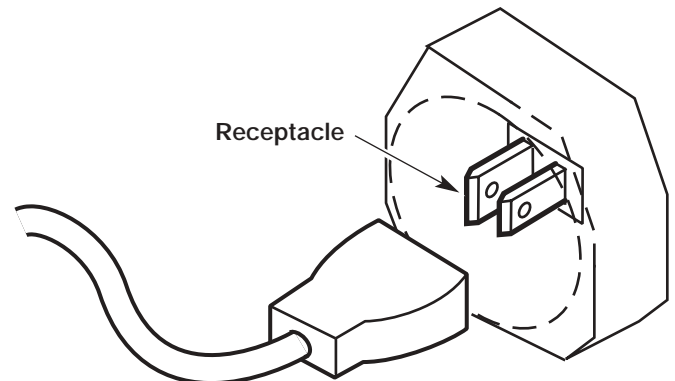


Fig. 10

STARTING/STOPPING INSTRUCTIONS

This unit is equipped with a three-way (OFF/ LOW/ HIGH) switch (Fig. 11):

- Slide the switch all the way down for **OFF**.
- Slide the switch up to the first click for **LOW**.
- Slide the switch up to the second click for **HIGH**.

Once the unit is plugged in, stand in the operating position (Fig. 12). Slide the power/speed switch to LOW or HIGH to start the unit. To stop the unit, slide the switch to OFF (Fig. 11).

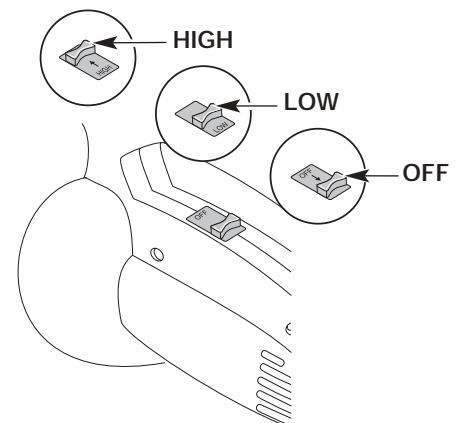


Fig. 11

OPERATING INSTRUCTIONS

HOLDING THE BLOWER/VACUUM

Before operating the unit, stand in the operating position. (Fig. 12). Check for the following:

- Operator is wearing proper clothing, such as boots, safety glasses or goggles, ear/hearing protection, gloves, long pants and long sleeve shirt



WARNING: To avoid serious personal injury, wear goggles or safety glasses at all times when operating this unit. Wear a face mask or dust mask in dusty locations.

- If the conditions are dusty, the operator is wearing a dust mask or face mask
- The unit is in good working condition
- The tubes and bag are in place and secure



WARNING: To prevent serious personal injury or damage to the unit, make sure blower tubes or vacuum tubes and the vacuum bag are in place before you operate the unit.

- The vacuum bag is installed and zipped closed (when used as a vacuum)

OPERATING TIPS

- Be sure the vacuum bag is zipped closed before operating the unit.
- Assure the unit is not directed at anybody or any loose debris before starting the unit.
- Verify that the unit is in good working condition. Make sure the tubes and guards are in place and secure.
- Always hold the unit with both hands when operating. Keep a firm grip on both the front and rear handle or grips.
- To reduce the risk of hearing loss associated with sound level(s), hearing protection is required.

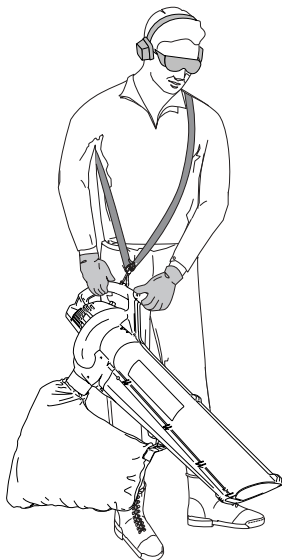


Fig. 12

- Operate power equipment only at reasonable hours—not early in the morning or late at night when people might be disturbed. Comply with times listed in local ordinances. Usual recommendations are 9:00 am to 5:00 pm, Monday through Saturday.
- To reduce noise levels, limit the number of pieces of equipment used at any one time.
- To reduce noise levels, operate power blowers at the lowest possible speed to do the job.
- Use rakes and brooms to loosen debris before blowing.
- In dusty conditions, slightly dampen surfaces or use a mister attachment when water is available.
- Conserve water by using power blowers instead of hoses for many lawn and garden applications, including areas such as gutters, screens, patios, grills, porches, and gardens.
- Watch out for children, pets, open windows or freshly washed cars, and blow debris safely away.
- Clean up after using blowers and other equipment. Dispose of debris appropriately.

AIR VENTS

Never cover air vents. Keep them free from obstructions and debris. They must always remain clear for proper motor cooling (Fig. 13).

Air Vents

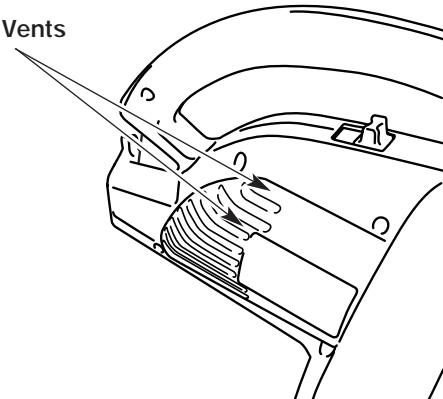


Fig. 13



WARNING: To avoid serious personal injury, do not wear loose fitting clothing or articles such as scarves, strings, chains, ties, etc. that could get drawn into the air vents. To make sure long hair does not get drawn into the air vents secure hair above shoulder level.

OPERATING INSTRUCTIONS

OPERATING AS A BLOWER

Converting to a Blower

1. Place the shoulder harness over your head, onto your shoulder and adjust it if necessary. Refer to *Installing the Shoulder Harness*.
2. Start the unit. See *Starting/Stopping Instructions*.
3. Set the blower/vacuum mode change-over lever to the up position (Blower Mode) (Fig. 14).

NOTE: Never use the unit with the lever in a position half way between either mode.

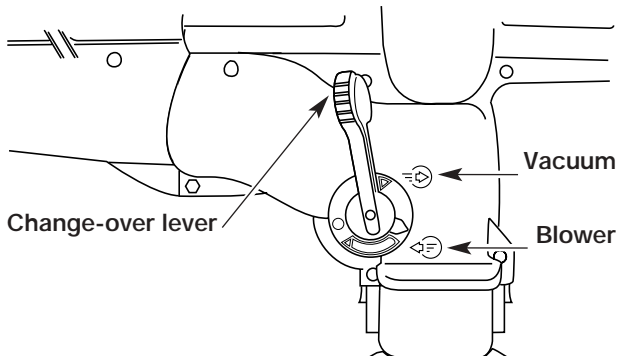


Fig. 14

Blower Operating Procedures

Hold the blower as shown in Figures 15, 16 and 17. Sweep from side to side with the nozzle several inches above the ground or floor. Slowly advance the unit, keeping the accumulated pile of debris in front of you.

Most dry blowing operations are better suited to low speeds, rather than high. High speed blowing is a better way to move heavier items like large debris or gravel.

1. Use the blower for trees, shrubs, flower beds and hard-to-clean areas (Fig. 15).
2. Use the unit around buildings and for other normal cleaning procedures (Fig. 16).
3. Use the blower around walls, overhangs, fences and screens (Fig. 17).



Fig. 15

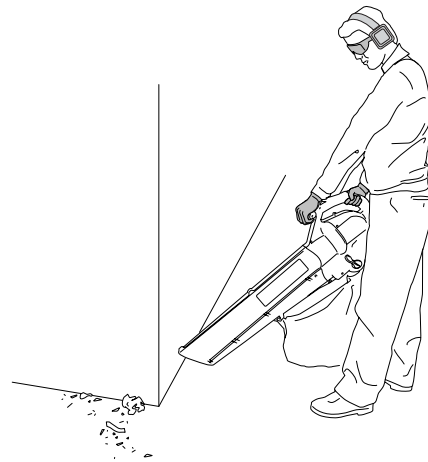


Fig. 16

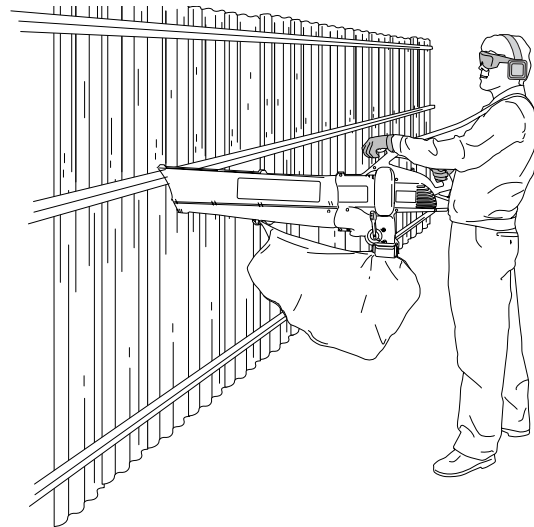


Fig. 17

OPERATING INSTRUCTIONS

OPERATING AS A VACUUM

Converting to Vacuum

1. Place the shoulder harness over your head, onto your shoulder and adjust it if necessary. Refer to *Installing the Shoulder Harness*.
2. Start the unit. See *Starting/Stopping Instructions*.
3. Set the blower/vacuum mode change-over lever to the down position (Vacuum Mode) (Fig. 18).

NOTE: Never use the unit with the lever in a position half way between either mode.

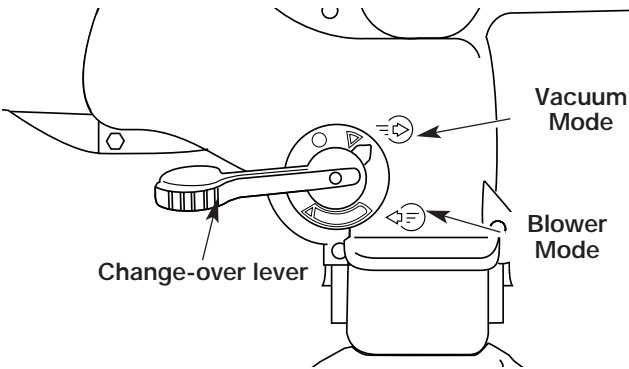


Fig. 18



Fig. 19



WARNING: To avoid serious personal injury, never unzip the vacuum bag without stopping the unit first.



WARNING: As a vacuum, the unit is designed to pick up dry material such as leaves, grass, small twigs and bits of paper. To avoid serious personal injury, do not attempt to vacuum wet debris and/or standing water as this may result in damage to the blower/vacuum. To avoid severe damage to the impeller, do not vacuum metal, broken glass or similar items.



WARNING: Avoid situations that could catch the vacuum bag on fire. Do not operate near an open flame. Do not vacuum warm ash from fireplaces, barbecue pits, brush piles, etc. Do not vacuum discarded cigars or cigarettes unless the cinders are completely cool.



WARNING: To prevent serious personal injury or damage to the unit, always install vacuum tubes, the vacuum bag and make sure the vacuum bag is completely zipped closed when operating this unit as a vacuum.

Vacuum Operation Procedures

Check for the following before operating the unit:

- Operator is wearing proper clothing, such as boots, safety glasses or goggles, ear/hearing protection, gloves, long pants and long sleeve shirt
- If the conditions are dusty, operator is equipped with a dust mask or face mask
- The unit is in good working condition-- the vacuum tubes and vacuum bag are in place and secure.
- The vacuum bag harness is in place and correctly adjusted

Use the unit for vacuuming up light debris like leaves and paper.

Hold the vacuum, tilting the suction tube slightly (2-4 in or 50-100 mm), and use a sweeping action to collect light debris (Fig. 19). The debris will flow into the vacuum bag. Items such as small leaves and small twigs will be mulched as they pass through the fan housing, allowing the vacuum bag to hold more debris.

When the bag is full, suction will noticeably decrease. Turn off the unit and allow the impeller to stop before you unzip the bag. Unzip the bag and empty the contents before continuing. Refer to *Emptying the Vacuum Bag*.

NOTE: Empty the bag after each use to avoid deterioration and obstructing air flow, which will reduce the performance of the vacuum

OPERATING INSTRUCTIONS

CLEARING A BLOCKED TUBE / IMPELLER



WARNING: To avoid serious personal injury, be sure the unit is off and unplugged before clearing the impeller.



WARNING: To avoid serious personal injury, always wear gloves to protect yourself from the impeller blades or other sharp objects.

1. Slide the Power/Speed switch down in the **OFF** position until the unit comes to a complete stop (Fig. 11).
2. Unplug the unit.
3. Remove the vacuum bag and then the blower/vacuum tube.
4. Carefully remove material blocking the tube or impeller. Inspect the blades to assure no damage has occurred. Rotate the impeller blades by hand to assure the blockage is completely cleared.
5. Reinstall the blower/vacuum tube and the vacuum bag.
6. Plug the unit back into the power supply.

EMPTYING THE VACUUM BAG



WARNING: To avoid serious personal injury, never unzip or remove the vacuum bag without first turning the unit off.

NOTE: Empty the bag after each use to avoid deterioration and obstructing air flow, which will reduce the performance of the vacuum.

1. Unplug the unit.
2. While pressing the latching tabs on both sides of the vacuum bag tube, pull the vacuum bag down off the unit (Fig. 20).



WARNING: Wear eye protection and a dust mask when emptying the vacuum bag.

3. Detach the vacuum bag from the vacuum bag hook.

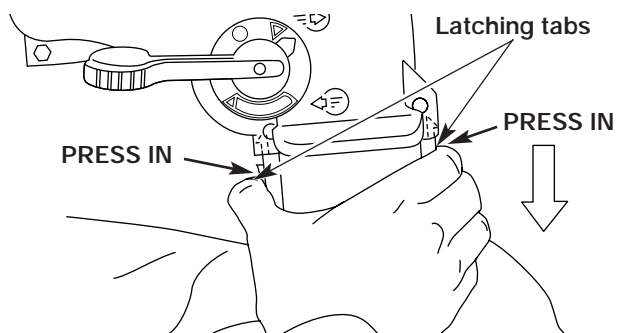


Fig. 20

4. Unzip the bag and empty the contents into a garbage bag or container.
5. Turn the bag inside out after initial emptying and vigorously shake out dust and debris.
6. Return the bag to outside in, zip the bag closed and reinstall vacuum bag.
7. Plug the unit back into the power supply.

MAINTENANCE AND REPAIR INSTRUCTIONS

SERVICING DOUBLE INSULATED UNITS

This unit is double-insulated. In a double-insulated unit, two systems of insulation are provided instead of grounding. There is no grounding provided and no means of grounding should be added to this unit.

Extreme care and knowledge of the system is required when servicing a double-insulated unit. Service should be performed by qualified service personnel only. Replacement parts for a double-insulated unit must be identical to the parts they replace. Refer any repair to an authorized service dealer. A double-insulated unit is marked with the words "double insulation" or "double insulated."

CLEANING THE UNIT



WARNING: To avoid serious personal injury, always turn your unit off and unplug it before you clean or service it.

Use a small brush to clean off the outside of the unit. Do not use strong detergents. Household cleaners that contain aromatic oils such as pine and lemon, and solvents such as kerosene, can damage plastic housing or handle. Wipe off any moisture with a soft cloth.

CLEANING THE VACUUM BAG

1. Empty the bag after each use to avoid deterioration and obstructing air flow, which will reduce the performance of the vacuum.
2. Wearing eye protection and a dust mask, clean the bag as needed. Turn the bag inside out after initial emptying and vigorously shake out dust and debris.

3. Wash the bag once a year or more often if needed:
 - a. Remove the vacuum bag.
 - b. Turn bag inside out.
 - c. Hang it up.
 - d. Hose it down thoroughly.
 - e. Hang to dry.
 - f. Turn bag right-side out and reinstall.

STORAGE

- Store the unit locked up to prevent unauthorized use or damage.
- Store the unit in a dry, well-ventilated area.
- Store the unit out of the reach of children.

INSPECT EXTENSION CORDS

Inspect all extension cords periodically. Look closely for deterioration, cuts or cracks in the insulation. Inspect the connectors for damage. Replace cords if defective or damaged.

ACCESSORIES/ REPLACEMENT PARTS

Vacuum Bag	182416
Blower/Vacuum Tube Assembly	182415
Shoulder Harness	682075

For specific replacement parts, refer to the parts list located on the inside back cover of this manual.

SPECIFICATIONS

Motor Amperage.....	12 Amps
Blower Air Output	up to 160 mph (257.5 kmh)
Vacuum Air Flow	up to 424 cfm (12 cmm)
Mulching Ratio.....	up to 10:1
Operating Weight	10 lb (4.5 kg)
Vacuum Bag Capacity75 bushels (26.4 L)

TROUBLESHOOTING

UNIT WILL NOT BLOW OR VACUUM

CAUSE	ACTION
Bag full	Empty bag, as described in <i>Empty the Vacuum Bag</i>
Blocked tube	Clear the blockage as described in <i>Clearing a Blocked Tube/ Impeller</i>
Blocked impeller	Clear the blockage as described in <i>Clearing a Blocked Tube/ Impeller</i>
Damaged impeller	Take the unit to an authorized service dealer
Dirty bag	Clean the vacuum bag
Torn bag	Replace the vacuum bag
Bag unzipped	Zip up the vacuum bag
Unit unplugged	Plug into an outlet or an extension cord

UNIT WILL NOT START

CAUSE	ACTION
Unit is unplugged	Check cord to make sure it is plugged into an electrical outlet
Power/Speed switch is in the OFF position	Slide switch to HIGH or LOW

If further assistance is required, contact your authorized service dealer.

NOTES

NOTES

MANUFACTURER'S LIMITED WARRANTY FOR:

RYOBI®

The limited warranty set forth below is given by MTD LLC ("MTD") with respect with new merchandise purchased and used in the United States, its possessions and territories.

MTD warrants this product against defects in material and workmanship for a period of two (2) years commencing on the date of original purchase and will, at its option, repair or replace, free of charge, any part found to be defective in material or workmanship. This limited warranty shall only apply if this product has been operated and maintained in accordance with the Operator's Manual furnished with the product, and has not been subject to misuse, abuse, commercial use, neglect, accident, improper maintenance, alteration, vandalism, theft, fire, water or damage because of other peril or natural disaster. Damage resulting from the installation or use of any accessory or attachment not approved by MTD for use with the product(s) covered by this manual will void your warranty as to any resulting damage.

This warranty is limited to ninety (90) days from the date of original retail purchase for any MTD product that is used for rental or commercial purposes, or any other income-producing purpose.

HOW TO OBTAIN SERVICE: Warranty service is available, WITH PROOF OF PURCHASE THROUGH YOUR LOCAL AUTHORIZED SERVICE DEALER. To locate the dealer in your area, please check for a listing in the Yellow Pages or contact the Customer Service Department of MTD LLC by calling 1-800-345-8746 or writing to P.O. Box 361131, Cleveland OH 44136-0019 or if in Canada call 1-800-668-1238. No product returned directly to the factory will be accepted unless prior written permission has been extended by the Customer Service Department of MTD LLC.

This limited warranty does not provide coverage in the following cases:

- A. Tune-ups - Spark Plugs, Carburetor Adjustments, Filters
- B. Wear items - Bump Knobs, Outer Spools, Cutting Line, Inner Reels, Starter Pulley, Starter Ropes, Drive Belts
- C. MTD does not extend any warranty for products sold or exported outside of the United States of America, its possessions and territories, except those sold through MTD's authorized channels of export distribution.

MTD reserves the right to change or improve the design of any RYOBI Product without assuming any obligation to modify any product previously manufactured.

No implied warranty, including any implied warranty of merchantability or fitness for a particular purpose, applies after the applicable period of express written warranty above as to the parts as identified. No other express warranty or guaranty, whether written or oral, except as mentioned above, given by any person or entity, including a dealer or retailer, with respect to any product shall bind MTD. During the period of the Warranty, the exclusive remedy is repair or replacement of the product as set forth above. (Some states do not allow limitations on how long an implied warranty lasts, so the above limitation may not apply to you.)

The provisions as set forth in this Warranty provide the sole and exclusive remedy arising from the sales. MTD shall not be liable for incidental or consequential loss or damages including, without limitation, expenses incurred for substitute or replacement lawn care services, for transportation or for related expenses, or for rental expenses to temporarily replace a warranted product. (Some states do not allow limitations on how long an implied warranty lasts, so the above limitation may not apply to you.)

In no event shall recovery of any kind be greater than the amount of the purchase price of the product sold. Alteration of the safety features of the product shall void this Warranty. You assume the risk and liability for loss, damage, or injury to you and your property and/or to others and their property arising out of the use or misuse or inability to use the product.

This limited warranty shall not extend to anyone other than the original purchaser, original lessee or the person for whom it was purchased as a gift.

How State Law Relates to this Warranty: This warranty gives you specific legal rights, and you may also have other rights which vary from state to state.

To locate your nearest service dealer dial 1-800-345-8746 in the United States or 1-800-668-1238 in Canada.

MTD LLC
P.O. Box 361131
Cleveland, OH 44136-0019

SAVE THESE INSTRUCTIONS FOR FUTURE REFERENCE.

FOR QUESTIONS CALL 1-800-345-8746 IN U.S.

OR 1-800-668-1238 IN CANADA

**OPERATOR'S MANUAL PART NO. 769-00127A
PRINTED IN U.S.A.**

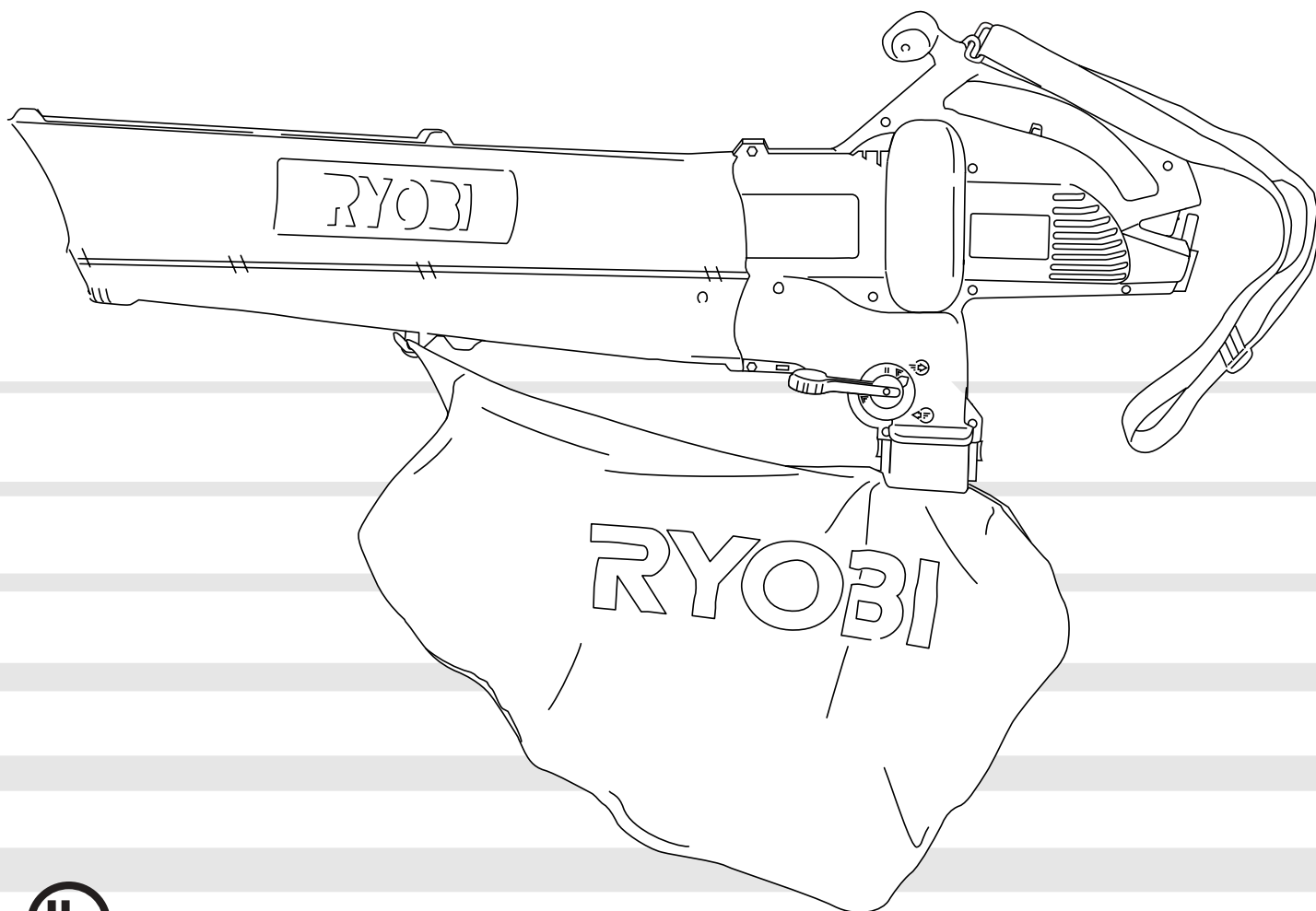
4/03

RYOBI®

RESV1300

SOUFFLEUSE/ASPIRATEUR À PAILLER ÉLECTRIQUE

MANUEL DE L'UTILISATEUR



SI VOUS AVEZ DES QUESTIONS, APPELEZ LE 1-800-345-8746 aux ÉTATS-UNIS,
ou le 1-800-668-1238 au CANADA
www.RyobiOutdoor.com

MANUEL IMPORTANT

À NE PAS JETER

INTRODUCTION

TOUS NOS REMERCIEMENTS

Nous vous remercions d'avoir acheté ce produit de qualité. Cet outil électrique moderne de plein air est conçu pour vous rendre service pendant longtemps. Il vous sauvera beaucoup de temps comme vous pourrez vous en rendre compte. Ce manuel de l'utilisateur comporte un mode d'emploi facile à comprendre. Prenez soin de le lire au complet et de respecter toutes les instructions pour conserver votre outil en excellent état de fonctionnement.

RÉFÉRENCES, ILLUSTRATIONS ET SPÉCIFICATIONS RELATIVES AU PRODUIT

Toutes les informations, illustrations et spécifications contenues dans ce manuel tiennent compte des dernières informations techniques disponibles au moment de mettre sous presse. Nous nous réservons le droit d'y apporter des modifications à tout moment, sans préavis.

Copyright© 2003 MTD SOUTHWEST INC Tous droits réservés.

INFORMATIONS RELATIVES À L'ENTRETIEN

Tout entretien effectué sur cet appareil pendant et après la période de garantie doit être fait par un concessionnaire agréé uniquement:

- Téléphonnez au numéro vert **1-800-345-8746** depuis les États-Unis ou au **1-800-668-1238** depuis le Canada, pour obtenir une liste des concessionnaires agréés les plus proches.

ou

- Allez sur **www.RyobiOutdoor.com** pour obtenir une liste des concessionnaires agréés les plus proches.

NE RETOURNEZ PAS L'APPAREIL AU DÉTAILLANT.

NOTE: TOUT SERVICE SOUS GARANTIE NÉCESSITE UNE PREUVE D'ACHAT.

Prenez soin de lire et de bien comprendre ce manuel avant de démarrer ou de faire fonctionner cet équipement.

CE PRODUIT EST COUVERT PAR UN OU PLUSIEURS BREVETS AMÉRICAINS.

AUTRES BREVETS EN INSTANCE.

TABLE DES MATIÈRES

I.	Consignes de sécurité	F3-F6
	A. Importantes consignes de sécurité	F3
	B. Symboles de sécurité et internationaux	F5
	C. Familiarisez-vous avec votre appareil	F6
II.	Instructions de montage	F7-F8
	A. Fixation et retrait du tube de souffleuse/aspirateur	F7
	B. Fixation et retrait du sac d'aspirateur	F8
	C. Installation et réglage de la bandoulière	F8
III.	Mode d'emploi	F9-F13
	A. Connexion du cordon d'alimentation	F9
	B. Instructions de démarrage et arrêt	F9
	C. Tenue de la souffleuse/aspirateur	F10
	D. Événements	F10
	F. Utiliser l'appareil comme souffleuse	F11
	G. Utiliser l'appareil comme aspirateur	F12
	B. Dégagement d'une hélice bloquée	F13
	H. Vider le sac d'aspirateur	F13
IV.	Entretien et réparations	F14
	A. Entretien d'appareils à double isolement	F14
	B. Nettoyage de l'appareil	F14
	C. Nettoyage du sac d'aspirateur	F14
	D. Inspection des fils de rallonge	F14
	E. Entreposage	F14
	F. Accessoires/pièces de rechange	F14
V.	Caractéristiques	F15
VI.	Dépannage	F15
VII.	Garantie	F18
VIII.	Liste des Pièces	Couvercle Arrière

CONTENU DE L'EMBALLAGE

Cet appareil comprend les éléments suivants :

- Souffleuse/aspirateur, modèle RESV1300
- Tube de souffleuse/aspirateur
- Bandoulière
- Sac d'aspirateur
- Ensemble de visserie
- Manuel de l'utilisateur
- Carte d'enregistrement du propriétaire

Examinez toutes les pièces pour vous assurer que rien ne manque et qu'aucun bris ne s'est produit en cours de transport. Toute pièce manquante ou endommagée doit être remplacée avant d'utiliser l'appareil.

CONSIGNES DE SÉCURITÉ

Les symboles de sécurité attirent votre attention sur des dangers potentiels. Ces symboles et leurs détails explicatifs méritent que vous les lisiez et compreniez bien. Les avertissements de sécurité ne peuvent éviter les dangers de par eux-mêmes. Les consignes ou mises en garde qu'ils donnent ne remplacent pas des mesures préventives appropriées contre les accidents.

SYMBOLE SIGNIFICATION



ALERTE DE SÉCURITÉ:

indique un danger, un avertissement ou une mise en garde. Soyez vigilant afin d'éviter toute blessure grave. Ce symbole peut être combiné à d'autres symboles ou pictogrammes.

REMARQUE: donne des informations ou des instructions vitales pour le fonctionnement ou l'entretien de l'équipement.

SYMBOLE SIGNIFICATION



DANGER: le non-respect d'un avertissement peut causer dommages matériels ou blessures graves pour tous. Respectez les consignes de sécurité afin de réduire les risques d'incendie, d'électrocution et de blessures.



AVERTISSEMENT: le non-respect d'un avertissement peut causer dommages matériels ou blessures graves pour tous. Respectez les consignes de sécurité afin de réduire les risques d'incendie, d'électrocution et de blessures.



MISE EN GARDE: le non-respect d'un avertissement peut causer dommages matériels ou blessures graves pour tous. Respectez toujours les consignes de sécurité afin de réduire les risques d'incendie, d'électrocution et de blessures.

• IMPORTANTES CONSIGNES DE SÉCURITÉ •

LIRE TOUTES LES INSTRUCTIONS

AVANT UTILISATION

- Lire les instructions attentivement. Se familiariser avec les commandes et l'utilisation correcte de cet outil.
- Ne pas utiliser l'outil si vous êtes fatigué, malade ou sous l'effet de l'alcool, de drogues ou de médicaments.
- Les enfants de moins de 15 ans ne doivent pas utiliser l'outil, exception faite des adolescents sous surveillance d'un adulte.
- Avant chaque utilisation, inspectez l'appareil pour vérifier qu'il ne comporte pas de pièces desserrées ou endommagées. Évitez de l'utiliser jusqu'à ce que les réglages ou réparations aient été effectués.
- Tous les accessoires de sécurité et protections doivent être correctement installés avant utilisation.
- Utilisez l'appareil en plein jour ou avec un bon éclairage.
- Inspectez la zone de travail avant de démarrer l'appareil. Enlevez tous les débris et objets durs ou tranchants tel que verre, fils métalliques, etc.
- Éloignez tout spectateur, les enfants et les animaux domestiques en particulier, d'au moins 15 m (50 pieds) de l'appareil lorsque celui-ci est en marche.

AVERTISSEMENTS DE SÉCURITÉ ÉLECTRIQUE



DANGER: respectez toujours les consignes de sécurité durant l'utilisation d'appareils de jardinage électriques afin de réduire les risques d'incendie, d'électrocution et de blessures. Prenez soin de bien lire et comprendre tout le manuel de l'utilisateur avant d'utiliser la souffeuse/aspirateur. Faites particulièrement attention au mode d'emploi et aux avertissements de sécurité.

- Comme cet outil comporte une isolation double, il est donc possible d'utiliser des rallonges à 2 conducteurs (rallonges sans terre). Cependant, il est tout à fait possible d'utiliser des rallonges à 3 conducteurs (rallonges avec fil de terre), qui comportent des fiches de type NEMA (fiches parallèles, fiche terre en forme de U). Ces rallonges sont disponibles auprès de votre revendeur local. Veillez à n'utiliser que des rallonges à section circulaire, approuvées pour une utilisation extérieure.



AVERTISSEMENT: Pour réduire le risque de choc électrique, utilisez uniquement des rallonges électriques approuvées pour une utilisation extérieure., comme par exemple les rallonges à cordons de type SW-A, SOW-A, STW-A, STOW-A, SJW-A, SJOW-A, SJTW-W ou SJTOW.

- Pour réduire le risque de choc électrique, cet appareil est pourvu d'une fiche polarisée (une lame est plus large que l'autre). Cet appareil ne peut être inséré dans une prise polarisée que d'une seule manière. S'il n'est pas possible d'insérer entièrement la fiche dans la prise, essayez de brancher la fiche dans l'autre sens. Si malgré tout, il n'est pas possible d'insérer la fiche, remplacez le cordon par un cordon qui comporte les bonnes fiches. Ne modifiez cet appareil en aucun cas.

CALIBRE MINIMUM DES RALLONGES ALIMENTANT DES APPAREILS 120V, A COURANT DE CHARGE DE 0-12 AMPS*

Long. de cordon (pieds)	25	50	100	150
Calibre du cordon (AWG)*	16	16	16	14

*La grosseur du fil (AWG) pour l'ampérage de 12 à 19 ampères est de 14 AWG pour 25 pieds, de 12 AWG pour 50 pieds et n'est pas recommandé pour 100 ou 150 pieds.

CONSIGNES DE SÉCURITÉ

Cet outil comporte une isolation double. Pour toutes les réparations, utilisez uniquement des pièces de rechange identiques. Tout cordon électrique endommagé doit être réparé ou remplacé.

- **JEUX DE CORDONS:** Vérifiez que votre jeu de cordons est en bon état de fonctionnement. Si vous utilisez un jeu de cordons, assurez vous de bien utiliser un cordon de calibre suffisant pour laisser passer le courant de charge de votre appareil. Un jeu de cordons à section trop faible risque de provoquer des chutes de tension de ligne, qui entraînent une perte de puissance et une surchauffe. Le tableau ci-dessous donne les calibres corrects à utiliser, en fonction de la longueur du cordon et de la valeur de l'intensité nominale. En cas de doute, utilisez la section de câble immédiatement supérieure. Un numéro de calibre faible correspond à une forte section de câble. Référez vous à la *Mode D'emploi* pour réduire le risque de débranchement du cordon de l'appareil pendant le fonctionnement, du jeu de cordons.
- Le(s) circuit(s) électrique(s) ou la(les) prise(s) d'alimentation de cet outil de jardinage doit(doivent) comporter une protection de type GFCI (qui coupe le circuit en cas de défaut de terre). Il existe des prises qui comportent une protection GFCI, et que l'on peut utiliser dans ce cas de figure.
- Votre appareil est pourvu d'une plaquette du constructeur, qui indique le type de tension à utiliser. N'alimentez jamais cet appareil avec une tension alternative différente de celle affichée.
- Procédez à une inspection périodique de vos rallonges électriques et de la fiche de raccord de votre appareil. Examinez plus particulièrement l'isolation qui ne doit pas présenter de traces de détérioration, de coupures ou de mise à nu. Inspectez également les raccords qui doivent être en bon état. Si les cordons paraissent endommagés, remplacez les ou réparez les.
- Evitez d'utiliser cet appareil dans des conditions dangereuses. Ne le faites jamais fonctionner en atmosphère humide ou mouillée. L'humidité constitue un danger réel de choc électrique.
- N'utilisez pas cet appareil sous la pluie.
- Ne touchez pas la fiche ou l'appareil lui même si vos mains sont mouillées.

PENDANT L'UTILISATION

- Portez des lunettes de sécurité conformes aux normes ANSI Z87.1 ainsi que des protège-oreilles durant l'utilisation de l'appareil. Portez un masque facial ou antipoussières si vous travaillez dans un lieu poussiéreux.
- Portez des pantalons épais et longs, des bottes et des gants. Ne marchez pas pieds nus et évitez les vêtements lâches, bijoux, pantalons courts et sandales. Relevez les cheveux au-dessus des épaules.
- Évitez tout démarrage accidentel. Ne transportez pas l'appareil branché, le doigt sur l'interrupteur. Mettez ce dernier hors tension avant de brancher.
- L'outil doit toujours être posé sur une surface propre et ferme. Les matériaux tels que le gravier, le sable, la poussière, l'herbe, etc. peuvent être aspirés par l'admission d'air et projetés par la sortie de l'outil, ce qui peut endommager l'outil, causer des dégâts matériels et des blessures graves à l'utilisateur ou aux personnes se trouvant à proximité.
- Toujours utiliser un outil adéquat pour l'application. Ne pas utiliser cet outil pour un usage pour lequel il n'est pas conçu.
- Ne vous étirez pas et n'utilisez pas l'appareil à partir de surfaces instables tel qu'échelles, arbres, pentes abruptes, toits, etc. Tenez-vous toujours fermement sur les pieds en position d'équilibre.
- Ne maltraitez pas le cordon. Ne tirez jamais l'appareil par le cordon et ne le débranchez pas en tirant sur le cordon. Protégez celui-ci de la chaleur, de l'huile et des bords tranchants.

- Débranchez en tirant sur la prise et non le cordon.
- Restez toujours en alerte. Faites preuve de bon sens. Pour éviter de vous blesser ou de blesser les autres, n'utilisez pas l'appareil en état de fatigue.
- N'utilisez pas l'appareil si vous êtes sous l'effet de drogues, de l'alcool ou de médicaments.
- Ne laissez pas l'appareil branché s'il ne sert pas, pendant un entretien/changement d'accessoires.
- N'introduisez aucun objet dans les ouvertures. N'utilisez pas l'appareil si elles sont bouchées ; protégez-le des débris/matières bloquant le débit d'air.
- Gardez cheveux, vêtements lâches, doigts et parties du corps à l'écart des ouvertures/pièces mobiles.
- N'utilisez que des pièces de équipement original rechange et accessoires Genuine Factory Parts^{MC} d'origine pour cet appareil. Elles sont disponibles auprès de votre concessionnaire agréé. L'utilisation de pièces ou accessoires autres que ceux de équipement original peut causer des blessures graves, endommager l'appareil et annuler sa garantie.
- Ne forcez pas l'appareil. Il posera moins de risques de blessures et fonctionnera mieux à la vitesse pour laquelle il a été conçu.
- N'utilisez jamais l'appareil sans son tube de souffeuse/ aspirateur ni son sac d'aspirateur.
- Mettez toutes les commandes hors tension avant de débrancher.
- Débranchez l'appareil avant d'installer ou de retirer son tube ou son sac d'aspirateur. L'appareil doit être débranché et les lames de l'hélice arrêtées pour éviter de les toucher pendant leur rotation.

LORS DE L'UTILISATION EN SOUFFLEUSE

- Ne jamais diriger le tube de la souffeuse vers des personnes, animaux domestiques ou fenêtres. Toujours souffler les débris en direction opposée des personnes, animaux domestiques et fenêtres. Redoubler de prudence lors du travail à proximité d'objets massifs tels que des arbres, véhicules, murs, etc.

LORS DE L'UTILISATION EN ASPIRATEUR

- Éviter les situations où le sac d'aspirateur pourrait s'enflammer. Ne pas utiliser à proximité de flammes vives, Ne pas aspirer les cendres chaudes de cheminées, foyers, tas de broussailles, etc. Ne pas aspirer de mégots de cigarettes ou de cigares sans s'être assuré qu'ils sont complètement froids.
- Cet outil est conçu pour aspirer des matériaux secs, tels que des feuilles, de l'herbe, des brindilles et morceaux de papier. Ne pas essayer d'aspirer des matériaux mouillés ni de l'eau, ce qui pourrait endommager la souffeuse/aspirateur. Ne pas aspirer de morceaux de métal, de verre, etc., pour éviter d'endommager l'hélice.

AUTRES AVERTISSEMENTS DE SÉCURITÉ

- Bien arrimer l'outil pour le transport.
- Remiser l'outil dans un endroit sec pouvant être verrouillé ou en hauteur afin d'empêcher des dommages ou un usage non autorisé. Garder l'outils hors de portée des enfants.
- Ne jamais immerger l'outil et ne jamais l'arroser avec de l'eau ou tout autre liquide. Garder les poignées sèches, propres et exemptes de débris. Nettoyer après chaque usage. Voir les sections *Nettoyage et Remisage*.
- Conserver ces instructions. Les consulter fréquemment et les utiliser pour instruire d'autres utilisateurs. Si l'outil est prêté, il doit être accompagné de ces instructions.

CONSERVER CES INSTRUCTIONS

CONSIGNES DE SÉCURITÉ

SYMBOLES DE SÉCURITÉ ET INTERNATIONAUX

Ce manuel de l'utilisateur décrit les symboles et pictogrammes de sécurité et internationaux pouvant apparaître sur ce produit. Consultez le manuel de l'utilisateur pour les informations concernant la sécurité, le montage, le fonctionnement, l'entretien et les réparations.

SYMBOLE

SIGNIFICATION



- **SYMBOLE ALERTE DE SÉCURITÉ**

Indique un danger, un avertissement ou une mise en garde. Ce symbole peut être combiné à d'autres symboles ou pictogrammes.



- **AVERTISSEMENT - LISEZ LE MANUEL DE L'UTILISATEUR**

Lisez le manuel de l'utilisateur et suivez tous les avertissements et consignes de sécurité. Vous pourriez à défaut entraîner des blessures graves pour vous ou d'autres personnes.



- **PORTEZ DES PROTECTIONS (YEUX ET OREILLES)**

AVERTISSEMENT:

les objets projetés et les bruits forts peuvent endommager la vue et l'ouïe. Portez une visière de norme ANSI Z87.1-1989 et des protège-oreilles pendant l'utilisation.



- **LES OBJETS PROJETÉS ET LA TÊTE ROTATIVE PEUVENT CAUSER DES BLESSURES GRAVES**

AVERTISSEMENT:

Tenez-vous à l'écart de la sortie de souffleuse. Ne dirigez jamais la souffleuse vers vous ou vers les autres. La souffleuse peut projeter des objets. Ne faites pas fonctionner l'appareil sans les accessoires et protections nécessaires.

SYMBOLE

SIGNIFICATION



- **N'UTILISEZ PAS L'APPAREIL SOUS LA PLUIE**

AVERTISSEMENT:

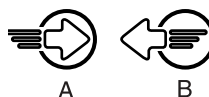
évités les lieux dangereux. N'utilisez jamais l'appareil sous la pluie ou dans des conditions humides ou mouillées. L'humidité peut provoquer l'électrocution.



- **SOUFFLEUSES - LES LAMES ROTATIVES PEUVENT INFLIGER DES BLESSURES GRAVES**

AVERTISSEMENT:

arrêter le moteur et laisser l'hélice parvenir à l'arrêt complet avant d'installer ou de changer les tubes ou le sac et avant toute opération de nettoyage, d'entretien ou de réparation.



- **LEVIER DE BASCULE DES MODES SOUFFLEUSE/ASPIRATEUR**

A - Mode aspirateur
B - Mode souffleuse



- **ÉLOIGNEZ LES SPECTATEURS**

AVERTISSEMENT:

éloignez tout spectateur, les enfants et les animaux domestiques en particulier, d'au moins 15 m (50 pi) de la zone de coupe.

CONSIGNES DE SÉCURITÉ

FAMILIARISEZ-VOUS AVEC L'APPAREIL

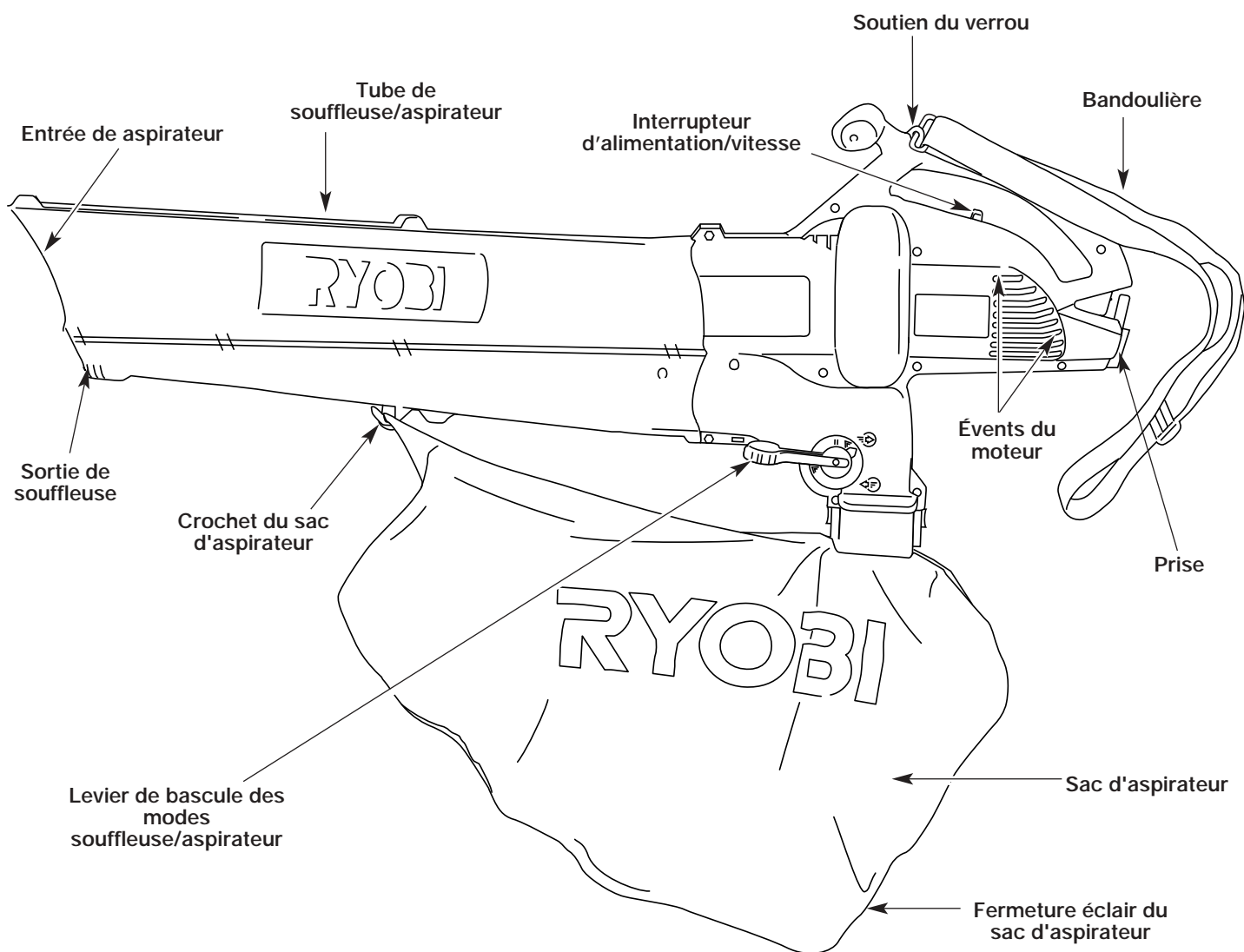
USAGE

Comme souffleur :

- Nettoyage de cours, garages, chemins, porches, terrasses, autour des murs, clôtures, etc.

Comme aspirateur :

- Ramassage de feuilles, de débris légers, etc.



INSTRUCTIONS DE MONTAGE

FIXATION ET RETRAIT DU TUBE DE SOUFFLEUSE/ASPIRATEUR



AVERTISSEMENT: Pour éviter des blessures graves, veillez à ce que le tube et le sac soient installés sur l'appareil lors de son utilisation.

Fixation

REMARQUE : Le tube de souffleur/aspirateur est démonté lors de la livraison. Vous devez l'installer pour assurer une utilisation sécuritaire et facile.



AVERTISSEMENT: Pour éviter des blessures graves, stoppez le moteur et laissez l'hélice s'arrêter avant de fixer ou d'enlever les tubes.

1. Retirez les vis et écrous fournis avec l'ensemble de visserie.
2. Insérez complètement le tube de souffleur/aspirateur dans l'ouverture du carter jusqu'à ce que les trous des pattes du tube soient alignés avec ceux des vis du carter (Fig. 1).
3. Introduisez les 2 (deux) vis à filets interrompus 8-32 x 3/4" Torx T20 dans le côté droit du carter et les 2 (deux) écrous dans le côté gauche du carter (Fig. 1).

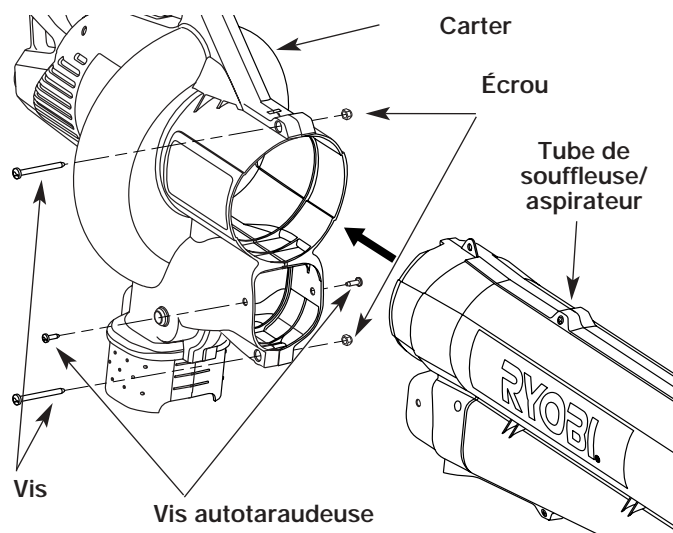


Fig. 1

4. Vissez bien. Évitez de trop serrer.
5. Insérez les 2 (deux) vis à filets interrompus autotaraudeuses 8-16 x 3/4" Torx T20 restantes dans les trous des deux côtés du carter (Fig. 1). Vissez bien sans trop serrer.

Retrait

REMARQUE : Il peut s'avérer nécessaire de retirer le tube de souffleur/aspirateur pour le dégager ou dégager l'hélice.



AVERTISSEMENT: Pour éviter des blessures graves, stoppez le moteur et laissez l'hélice s'arrêter avant de fixer ou d'enlever les tubes.

1. Retirez les 2 (deux) vis autotaraudeuses des deux côtés du carter.
2. Retirez les 2 (deux) vis et écrous qui retiennent le tube de souffleur/aspirateur sur le carter (Fig. 2).

REMARQUE : Rangez la visserie en lieu sûr pour un usage ultérieur

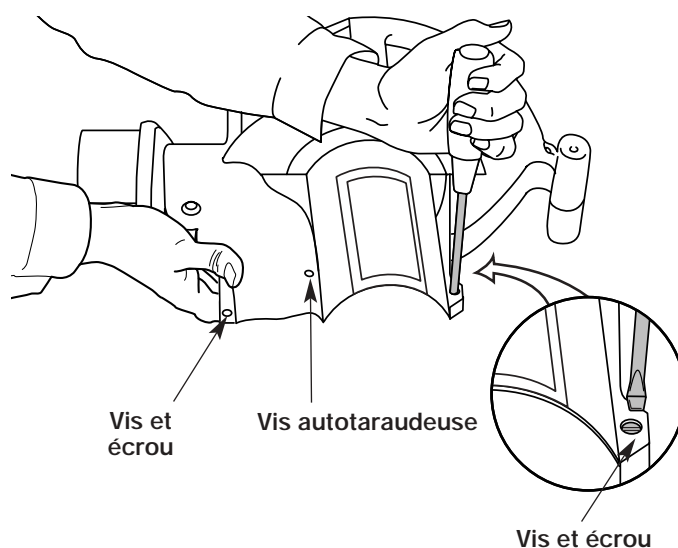


Fig. 2

3. Retirez le tube de souffleur/aspirateur du carter.
4. Remplacez le tube de souffleur/aspirateur avant utilisation.

INSTRUCTIONS DE MONTAGE

FIXATION ET RETRAIT DU SAC D'ASPIRATEUR

Fixation

1. Fixez le sac d'aspirateur à son crochet, sur le tube de souffleuse/aspirateur (Fig. 3).

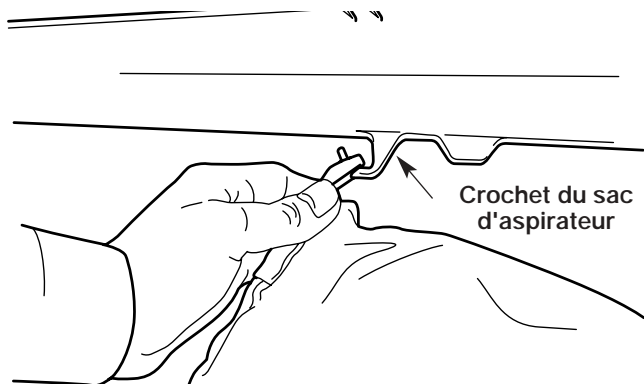


Fig. 3

2. Glissez le tube du sac sur le tube d'évacuation des débris, sur le carter. Poussez le tube jusqu'à ce que les pattes d'accrochage des deux côtés s'enfoncent avec un déclic, fixant ainsi le sac sur l'appareil (Fig. 4).

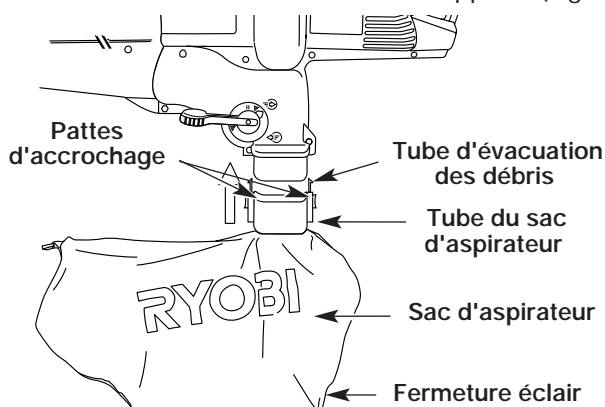


Fig. 4

Retrait

1. Appuyez sur les pattes d'accrochage des deux côtés du tube du sac et retirez le sac de l'appareil vers le bas (Fig. 5).
2. Détachez le sac d'aspirateur de son crochet.

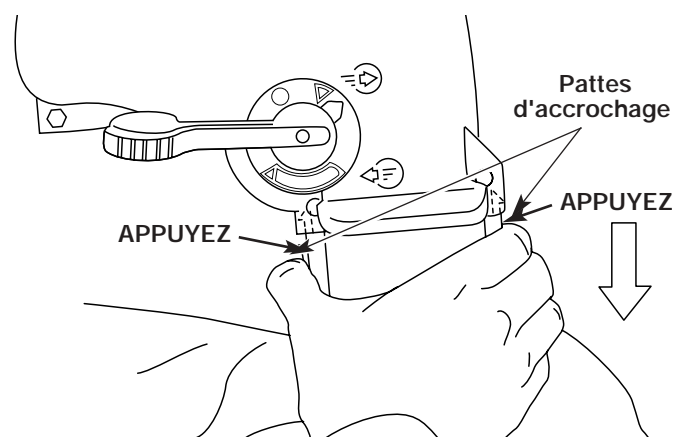


Fig. 5

INSTALLATION DU HARNAIS

1. Faites passer la bande au centre de la boucle.
2. Tirez la bande par-dessus la traverse et à travers la fente de la boucle (Fig. 6).

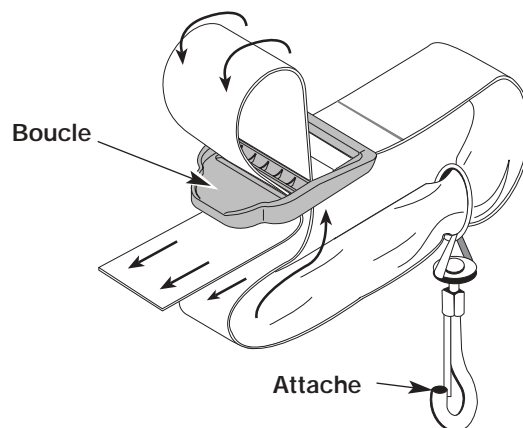


Fig. 6

3. Enfoncez d'un coup sec l'attache sur le raccord de soutien (Fig. 7).

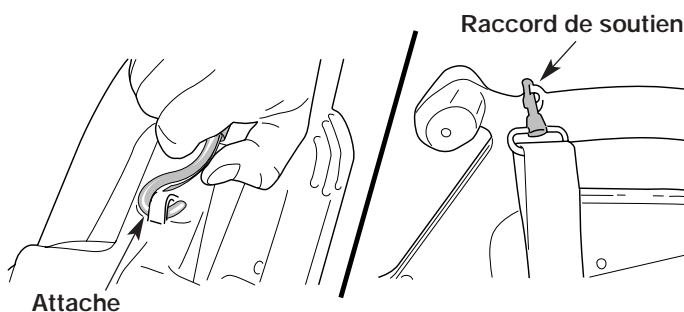


Fig. 7

4. Réglez la longueur en fonction de la taille de l'opérateur. Tirez la languette pour rallonger, ou tirez la bande pour raccourcir (Fig. 8).

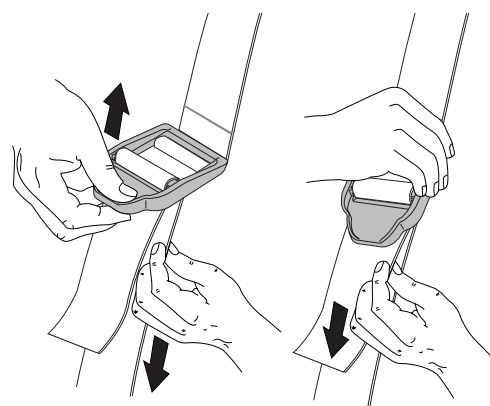


Fig. 8

MODE D'EMPLOI

CONNEXION DU CORDON D'ALIMENTATION

Employez une corde électrique extérieure (minimum 7,6 m ou 25 pieds de long, 16 AWG). D'autres tailles incluent::

CALIBRE MINIMUM DES RALLONGES ALIMENTANT DES APPAREILS 120V, A COURANT DE CHARGE DE 0-12 AMPS

Long. de cordon (pieds)	25	50	100	150
Calibre du cordon (AWG)*	16	16	16	14



AVERTISSEMENT: Afin de diminuer les risques d'électrocution, cet appareil est doté d'une fiche polarisée (dont une lame est plus large que l'autre) et nécessite l'utilisation d'un fil de rallonge polarisé.

Cette fiche ne peut être insérée dans une rallonge polarisée que d'une façon. Si la fiche ne pénètre pas complètement dans le fil de rallonge, inversez-la. Si elle ne s'enfonce toujours pas, procurez-vous une rallonge polarisée appropriée.

Une telle rallonge nécessite une prise murale polarisée. Cette fiche ne peut être insérée dans une prise murale polarisée que d'une façon. Si la fiche ne pénètre pas complètement dans la prise, inversez-la. Si elle ne s'enfonce toujours pas, faites installer une prise murale appropriée par un électricien qualifié. Ne modifiez d'aucune façon la fiche de l'appareil, ni prise ou la fiche du fil de rallonge.

1. Fixez la rallonge au carter tel qu'indiqué (Fig. 9) pour éviter qu'elle ne soit retirée accidentellement.

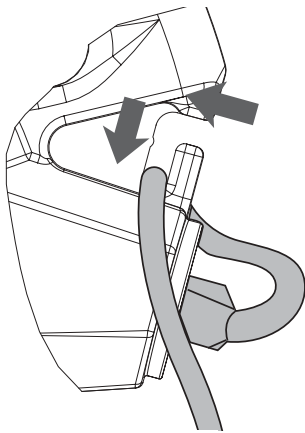


Fig. 9

2. Branchez l'extrémité femelle du cordon dans la prise située à l'arrière de l'appareil (Fig. 10).

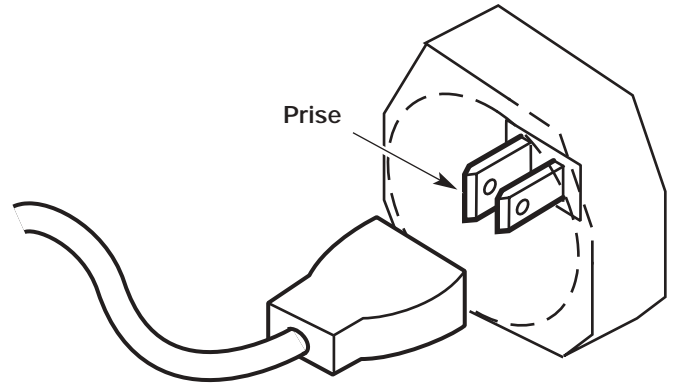


Fig. 10

INSTRUCTIONS DE DÉMARRAGE ET ARRÊT

Cet appareil est équipé d'un interrupteur à trois positions : ARRÊT/BAS/HAUT (Fig. 11).

- Glissez l'interrupteur complètement vers le bas pour le mettre sur **ARRÊT**.
- Glissez l'interrupteur vers le haut jusqu'au premier déclic pour le mettre sur **BAS**.
- Glissez l'interrupteur vers le haut jusqu'au deuxième déclic pour le mettre sur **HAUT**.

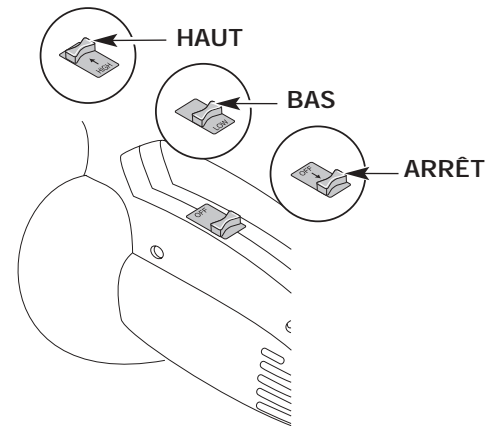


Fig. 11

MODE D'EMPLOI

TENUE DE LA SOUFFLEUSE/ASPIRATEUR

Avant d'utiliser l'outil, se tenir en position de travail (Fig. 12) et effectuer les vérifications suivantes :

- L'utilisateur doit porter une tenue appropriée, c'est-à-dire des chaussures de travail, des lunettes de sécurité, une protection auditive, des gants, des pantalons longs et une chemise à manches longues.



AVERTISSEMENT: pour éviter les risques de blessures, toujours porter des lunettes de sécurité lors de l'utilisation de cet outil. Porter un masque respiratoire dans les endroits poussiéreux.

- Si l'endroit est poussiéreux, porter un masque anti-poussière.
- S'assurer que l'outil est en bon état de marche.
- Vérifier que les tubes et protection sont en place et bien assujettis.



AVERTISSEMENT: pour éviter les risques de blessures à l'opérateur ou aux personnes présentes, ainsi que des dommages à l'outil, s'assurer que les tubes de souffleuse ou les tubes et le sac d'aspirateur sont en place (suivant le modèle) avant d'utiliser l'outil.

CONSEILS PRATIQUES

- Assurez-vous que la fermeture éclair du sac d'aspirateur est fermée avant d'utiliser l'appareil.
- Lors du démarrage, veiller à ne pas diriger l'outil vers des personnes ou des débris.
- S'assurer que l'outil est en bon état de marche. Vérifier que les tubes et protection sont en place et bien assujettis.
- Tenez toujours l'appareil des deux mains lorsqu'il est en marche. Agrippez fermement les poignées avant et arrière.
- Utiliser une protection auditive pour éviter les risques de perte de l'ouïe causée par un niveau de bruit élevé.

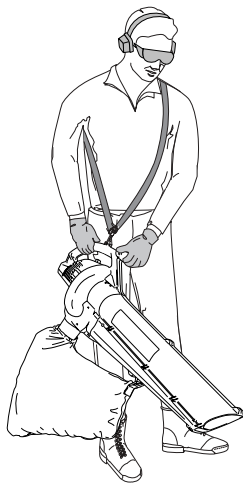


Fig. 12

- N'utiliser l'outil qu'à des heures raisonnables, c'est-à-dire pas trop tôt le matin ou tard le soir lorsque cela peut déranger les personnes vivant aux environs. Se conformer aux réglementations locales qui sont habituellement de 9 à 17 heures, du lundi au samedi.
- Pour réduire le niveau sonore, utiliser le moins possible d'outils motorisés en même temps.
- Pour réduire le niveau sonore utiliser la souffleuse au régime minimum permettant de s'acquitter de la tâche.
- Vérifier l'équipement avant de commencer le travail, en particulier le silencieux, l'admission d'air et les filtres à air.
- Utiliser un râteau ou un balai pour séparer les débris avant de les souffler.
- Dans les endroits poussiéreux, humecter légèrement l'aire de travail ou utiliser un accessoire de pulvérisation si une source d'eau est disponible.
- Conserver l'eau en utilisant la souffleuse au lieu d'un tuyau d'arrosage pour le nettoyage des endroits tels que les gouttières, moustiquaires, patios, grills, porches et jardins.
- Prendre garde aux enfants, animaux domestiques, fenêtres ouvertes et véhicules fraîchement lavés, et souffler les débris à l'opposé de tels obstacles.
- Utiliser la tubulure complète afin que l'embout reste près du sol.
- Après utilisation d'une souffleuse ou d'autres outils motorisés, Nettoyer la zone de travail. Jeter les débris dans des poubelles.

ÉVÉNEMENTS

Ne couvrez jamais les événements. Protégez-les des obstructions et des débris. Ils doivent toujours être dégagés pour permettre au moteur de refroidir correctement (Fig. 13).

Événements

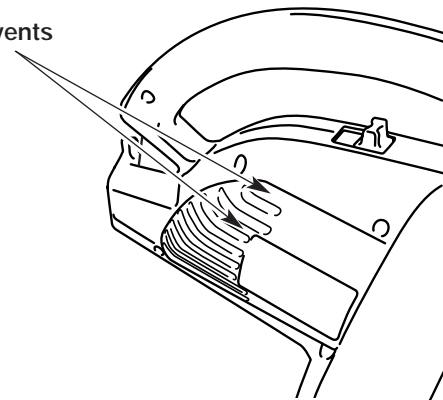


Fig. 13



AVERTISSEMENT: pour éviter des blessures, ne portez pas de vêtements lâches ni foulards, colliers, chaînes, cravates et autres articles similaires pouvant être aspirés par les événements. Relevez les cheveux au-dessus des épaules pour éviter qu'ils ne soient pas aspirés par les événements.

UTILISATION DE LA SOUFFLEUSE

Conventir en Souffleuse

1. Démarrez l'appareil. Voir *Instructions de démarrage et d'arrêt*.
2. Relevez le levier de bascule des modes souffleuse/aspirateur (mode souffleuse) (Fig. 14).

REMARQUE : N'utilisez jamais l'appareil avec le levier sur la position du milieu.

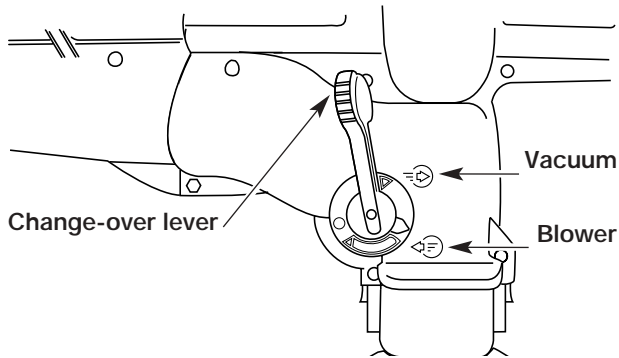


Fig. 14

Utilisation Comme Souffleuse

Tenez la souffleuse tel qu'illustré sur les Figures 15, 16 et 17. Balayez d'un côté vers l'autre, en tenant la buse à plusieurs centimètres du sol. Avancez lentement en vous maintenant face à la pile de débris.

La basse vitesse convient mieux pour souffler les débris secs alors que la haute vitesse est préférable pour déplacer des objets plus lourds comme des débris ou du gravier de grosse dimension.

1. Utilisez la souffleuse autour des arbres, des arbustes, des massifs de fleurs et des zones difficiles à nettoyer (Fig. 15).
2. Utilisez la souffleuse pour nettoyer autour des bâtiments et pour le nettoyage normal (Fig. 16).
3. Utilisez la souffleuse pour nettoyer les murs, les surplombs et les écrans (Fig. 17).



Fig. 15

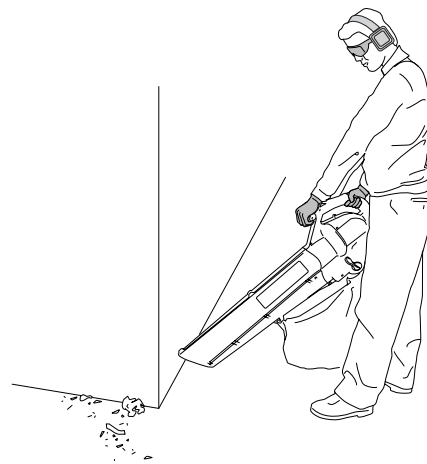


Fig. 16

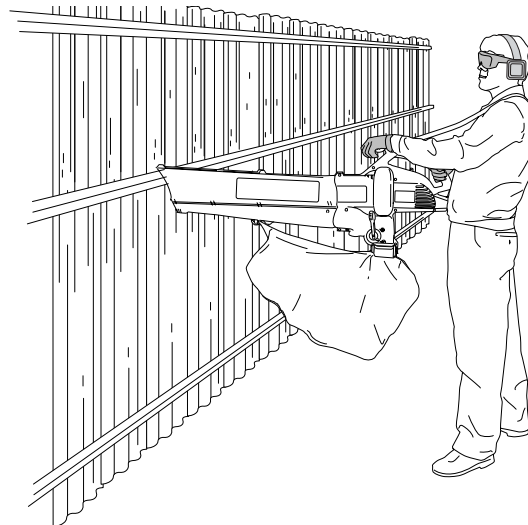


Fig. 17

MODE D'EMPLOI

UTILISATION COMME ASPIRATEUR

Convertir en Aspirateur

1. Démarrez l'appareil. Voir *Instructions de démarrage et d'arrêt*.
2. Rabaissez le levier de bascule des modes souffleuse/aspirateur (mode aspirateur) (Fig. 18).

REMARQUE : N'utilisez jamais l'appareil avec le levier sur la position du milieu.

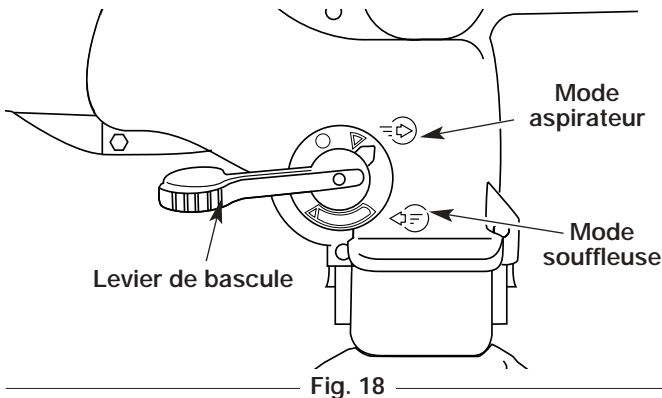


Fig. 18



Fig. 19

	AVERTISSEMENT: Afin d'éviter des blessures graves, n'ouvrez jamais le sac avant d'éteindre l'appareil.
--	---

	AVERTISSEMENT: Pour éviter des blessures graves et ne pas endommager l'appareil utilisé comme aspirateur, installez toujours les tubes et le sac d'aspirateur, et assurez-vous que la fermeture éclair du sac est fermée.
--	--

Utilisation de L'aspirateur

Vérifiez les points suivants :

- L'opérateur porte des vêtements appropriés : bottes, lunettes de sécurité, protège-oreilles, gants, pantalons et chemises à manches longues.
- L'opérateur porte un masque facial ou antipoussières dans les lieux poussiéreux.
- L'appareil est en bon état de fonctionnement. Les tubes et le sac d'aspirateur sont solidement fixés.
- Le harnais du sac d'aspirateur est installé et bien réglé.

Utilisez l'appareil pour aspirer des débris légers, des feuilles, du papier etc.

Tenez l'aspirateur en inclinant (50-100 mm, 2-4 po) un peu le tube de succion, et aspirez les débris légers d'un mouvement de balayage (Fig. 19). Ceci permet aux débris de s'engouffrer dans le sac de l'aspirateur. Les petites feuilles et brindilles sont déchiquetées dans le boîtier du ventilateur pour accroître la capacité du sac.

	AVERTISSEMENT: En tant qu'aspirateur, l'appareil est conçu pour ramasser des matériaux secs comme des feuilles, de l'herbe, des brindilles et des morceaux de papier. Pour éviter des blessures graves, n'essayez pas d'aspirer des débris humides et/ou de l'eau stagnante car cela peut endommager la souffleuse/aspirateur. Pour éviter d'endommager sérieusement l'hélice, n'aspirez pas de métal, de verre brisé, etc.
--	--

	AVERTISSEMENT: Évitez les situations pouvant mettre le feu au sac d'aspirateur. Ne faites pas marcher près d'une flamme vive. N'aspirez pas les cendres chaudes des foyers à bois ou de barbecue, des tas de broussailles, etc. ni les cigares ou cigarettes à moins que les cendriers soient complètement refroidis.
--	--

Lorsque le sac est plein, l'aspiration faiblit de façon notable. Éteignez l'appareil et laissez l'hélice s'arrêter avant d'ouvrir le sac. Ouvrez la fermeture éclair et videz le contenu du sac avant de continuer. Voir *Vider le sac d'aspirateur*.

REMARQUE : Videz le sac après chaque utilisation pour éviter toute détérioration et ne pas restreindre le débit d'air, ce qui affaiblirait les performances de l'aspirateur.

MODE D'EMPLOI

DÉGAGEMENT D'UN(E) TUBE/ HÉLICE BLOQUÉ(E)



AVERTISSEMENT: Pour éviter des blessures graves, éteignez l'appareil avant tout nettoyage ou entretien.



AVERTISSEMENT: Pour éviter des blessures graves, portez toujours des gants pour vous protéger des lames de l'hélice ou d'autres objets tranchants.

1. Appuyez sur Interrupteur d'alimentation/vitesse et maintenez-la en position **ARRÊT** jusqu'à ce que le moteur s'arrête complètement (Fig. 11).
2. Retirez le tube de la soufflante/aspirateur et le sac de l'aspirateur.
3. Enlevez soigneusement tout matériau bloquant le tube ou l'hélice. Inspectez les lames pour vous assurer qu'elles ne sont pas endommagées. Tournez les lames de l'hélice à la main pour vous assurer qu'elles ne sont plus bloquées.
4. Réinstallez le sac d'aspirateur et le tube de soufflante/aspirateur.

Vider le Sac D'aspirateur



AVERTISSEMENT: Afin d'éviter des blessures graves, n'ouvrez et ne retirez jamais le sac avant d'éteindre l'appareil.

REMARQUE : Videz le sac après chaque utilisation pour éviter toute détérioration et ne pas restreindre le débit d'air, ce qui affaiblirait les performances de l'aspirateur.



AVERTISSEMENT: Portez un protecteur oculaire et un masque antipoussières pour vider le sac.

1. Appuyez sur les pattes d'accrochage des deux côtés du tube du sac et retirez le sac de l'appareil vers le bas (Fig. 20).
2. Détachez le sac d'aspirateur de son crochet.

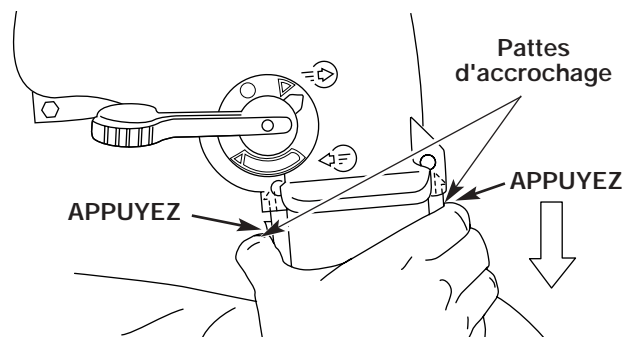


Fig. 20

3. Ouvrez la fermeture éclair et videz le contenu du sac dans un sac de poubelle ou un récipient.
4. Retournez le sac à l'envers après l'avoir vidé pour la première fois et secouez-le vigoureusement pour éliminer poussière et débris.
5. Retournez le sac à l'endroit, fermez la fermeture éclair et remettez le sac en place.

ENTRETIEN ET RÉPARATIONS

ENTRETIEN D'APPAREILS À DOUBLE ISOLEMENT

Cet appareil possède un double isolement. Au lieu d'une mise à la terre, les appareils à double isolement comportent deux systèmes d'isolement. Comme il se doit, aucun moyen de mise à la terre n'est fourni sur ce type d'appareil.

L'entretien de ces appareils exige soins minutieux et compétence technique, et doit être effectué par un personnel qualifié uniquement. Les pièces de rechange doivent être identiques aux pièces remplacées. Confiez toute réparation à un concessionnaire agréé. Un appareil à double isolement porte l'indication « double insulation » ou « double insulated ».

NETTOYAGE DE L'APPAREIL



AVERTISSEMENT: pour éviter des blessures graves, éteignez toujours l'appareil et laissez-le refroidir avant tout nettoyage ou entretien.

Nettoyez les événements avec une petite brosse ou un aspirateur équipé d'une petite brosse. N'employez pas de détergents concentrés sur le boîtier ou les pièces en plastique. Ils peuvent être endommagés par certains nettoyants ménagers contenant des huiles aromatiques tel que le pin et le citron, et par des solvants tel que le kérosène ou l'acétone. L'humidité peut aussi provoquer l'électrocution. Essuyez toute trace d'humidité à l'aide d'un tissu doux.

NETTOYAGE DU SAC D'ASPIRATEUR

1. Videz le sac après chaque utilisation pour éviter toute détérioration et ne pas restreindre le débit d'air, ce qui affaiblirait les performances de l'aspirateur.
2. Portez un protecteur oculaire et un masque antipoussières pour nettoyer le sac. Retournez le sac à l'envers après l'avoir vidé pour la première fois et secouez-le vigoureusement pour éliminer poussière et débris.

3. Lavez le sac une fois par an ou plus selon le besoin :
 - a. Retirez le sac d'aspirateur.
 - b. Retournez-le à l'envers.
 - c. Suspendez-le.
 - d. Rincez-le abondamment avec un tuyau en lavant de l'extérieur vers l'intérieur.
 - e. Suspendez-le et laissez sécher.
 - f. Retournez le sac à l'endroit et remettez-le en place.

INSPECTION DES FILS DE RALLONGE

Inspectez régulièrement les rallonges. Soyez à l'affût de signes de détérioration, de coupures ou de fissures dans l'isolation. Vérifiez que les connexions ne sont pas endommagées. Remplacez les cordons défectueux ou endommagés.

ENTREPOSAGE

- Rangez l'appareil dans un endroit sec, élevé ou verrouillé, hors de portée des enfants.
- Rangez l'appareil dans un lieu verrouillé pour éviter toute utilisation ou accident indésirable.
- Rangez l'appareil dans un lieu sec et bien aéré.

ACCESSOIRES/PIÈCES DE RECHANGE

Sac d'aspirateur	182416
Ens. de tube de souffleuse/aspirateur	182415
Harnais d'épaule	682075

Pour des pièces de rechange, veuillez consulter la liste des pièces à l'intérieur de la couverture arrière de ce manuel.

CARACTÉRISTIQUES

Intensité du moteur	12 A
Sortie d'air de la souffleuse	257,5 km/h (160 m/h) max.
Débit d'air de l'aspirateur	12 m ³ /min (424 pi ³ /min) max.
Rapport de paillage	10:1 max.
Poids en fonctionnement	4,54 kg (10 lb)
Capacité du sac d'aspirateur	26,4 l (0,75 boisseaux)

DÉPANNAGE

L'APPAREIL NE SOUFFLE/N'ASPIRE PAS

CAUSE

Sac plein
Tube bouché

Hélice bouchée

Hélice endommagée
Sac sale
Sac déchiré
Sac ouvert
Débranché

SOLUTION

Videz le sac, voir *Vider le sac d'aspirateur*
Dégagez le tube, voir *Dégagement d'un(e) tube/hélice bloqué(e)*
Dégagez le tube, voir *Dégagement d'un(e) tube/hélice bloqué(e)*
Confiez l'appareil à un concessionnaire agréé
Nettoyez le sac
Remplacez le sac
Fermez la fermeture éclair
Branchez dans une prise ou rallonge

MOTEUR REFUSE DE DÈMARRER

CAUSE

Moteur s'arrête ou le cordon électrique

Interrupteur d'alimentation/vitesse est en position ARRÊT

SOLUTION

Vérifier le cordon électrique et s'assurer qu'il est branché dans une prise électrique
Mettez-la en position HAUT ou BAS

Pour toute assistance, contacter le concessionnaire agréé.

REMARQUES

REMARQUES

GARANTIE LIMITÉE DU FABRICANT POUR:

RYOBI®

La garantie limitée énoncée ci-après est accordée par MTD LLC. ("MTD") et concerne les marchandises neuves achetées et utilisées aux Etats-Unis, ainsi que dans leurs possessions et territoires.

MTD garantit ce produit contre tout vice de matière ou de façon pendant une période de deux (2) ans à compter de la date d'achat initiale et elle se réserve le choix de réparer ou de remplacer, à titre gratuit, toute pièce présentant un vice de matière ou de façon. Cette garantie limitée ne s'appliquera que dans la mesure où le produit aura été utilisé et entretenu conformément au Guide de l'utilisateur fourni avec le produit et n'aura pas fait l'objet d'un usage inadéquat, abusif, commercial ou négligent, d'un accident, d'un entretien inadéquat, d'une modification, de vandalisme, d'un vol, d'un incendie, de dégâts des eaux ou d'un endommagement résultant d'un autre péril ou d'un désastre naturel. Les dommages résultants de l'installation ou de l'utilisation de tout accessoire ou équipement non approuvé par MTD pour une utilisation avec le(s) produit(s) couvert(s) par le présent guide annuleront la garantie et ce qui concerne les dommages qui en résulteraient éventuellement.

La présente garantie est limitée à quatre-vingt-dix (90) jours à compter de la date d'achat au détail primitive pour tout produit MTD utilisé à des fins locatives ou commerciales, ou toute utilisation produisant des revenus.

POUR L'ENTRETIEN-DEPANNAGE : L'Entretien-dépannage au titre de la garantie est disponible, SUR PRESENTATION DE PREUVE D'ACHAT, AUPRES DU CONCESSIONNAIRE REPARATEUR LOCAL. Pour obtenir le nom du concessionnaire local, consulter les Pages Jaunes ou se mettre en rapport avec le Service après-vente de MTD LLC. en appelant le 1-800-345-8746 ou en écrivant au P.O. Box 361131, Cleveland OH 44136-0019 ou en appelant le 1-800-668-1238 au Canada. Aucun produit retourné à l'usine sans permission écrite préalable du service après-vente de MTD LLC ne sera accepté.

La garantie limitée n'offre aucune couverture dans les cas suivants :

- A. Mises au point – Bougies, réglages de carburateur, filtres
- B. Articles d'usure – Dispositif d'avance de fil, bobines extérieures, fil de coupe, bobines intérieures, poulie de démarrage, cordons de démarrage, courroies d'entraînement
- C. MTD n'accorde aucune garantie pour les produits vendus ou exportés des Etats-Unis, de leurs possessions et territoires, exception faite en ce qui concerne les produits vendus par l'intermédiaire de ses canaux agréés de distribution à l'exportation.

MTD se réserve le droit de modifier ou d'améliorer la conception de tout produit RYOBI® sans assumer l'obligation de modifier tout produit d'une fabrication plus ancienne.

Aucune garantie implicite, y compris toute garantie de valeur marchande ou d'adaptation à une fin particulière, ne s'applique après la période applicable de garantie expresse écrite ci-dessus concernant les pièces qui sont identifiées. Aucune autre garantie ou caution expresse, écrite ou orale, à l'exception de celle mentionnée ci-dessus, accordée par toute personne ou entité, y compris tout concessionnaire ou détaillant, concernant tout produit n'engagera la responsabilité de MTD. Pendant la période de garantie, le remède exclusif est la réparation ou le remplacement du produit dans les conditions énoncées ci-dessus. (Certains états ne permettent la limitation de la garantie implicite, il est donc possible que la limitation ci-dessus ne s'applique pas à vous.)

Les clauses énoncées dans la présente Garantie constituent le recours unique et exclusif inhérent aux ventes. MTD ne sera en aucun cas tenue pour responsable de tout dommage indirect ou consécutif ou de dommages comprenant, entre autres mais pas seulement, les dépenses encourues du fait du recours à des services de remplacement ou de substitution pour l'entretien des gazons, le transport ou des frais connexes, ou les frais entraînés par une location destinée à remplacer provisoirement un produit sous garantie. (Certains états ne permettent la limitation de la garantie implicite, il est donc possible que la limitation ci-dessus ne s'applique pas à vous.)

Aucun recouvrement, quel qu'il soit, ne sera d'un montant supérieur au prix du produit vendu. Toute modification des dispositifs de sécurité du produit annulera la présente Garantie. Vous assumez tout risque et toute responsabilité résultant de la perte, de l'endommagement ou de préjudice que vous et votre propriété et/ou d'autres et leur propriété pourront encourir d'un fait de l'utilisation normale, de la mauvaise utilisation ou de l'empêchement d'utiliser le produit.

La présente garantie limitée n'est accordée qu'à l'acheteur primitif, au preneur primitif ou à la personne à laquelle le produit a été offert.

Le Droit des Etats vis à vis de la présente garantie : La présente garantie vous confère certains droits juridiques, et vous pouvez bénéficier d'autres droits, lesquels varient d'un état à l'autre.

Pour obtenir l'adresse du concessionnaire réparateur le plus proche, composer le :
1-800-345-8746 aux Etats-Unis ou le
1-800-668-1238 au Canada.

MTD LLC

P.O. Box 361131

Cleveland, OH 44136-0019

CONSERVEZ CES INSTRUCTIONS POUR TOUTE RÉFÉRENCE ULTÉRIEURE.

**POUR TOUTE QUESTIONS, VEUILLEZ CONTACTER LE 1-800-345-8746 AUX ÉTATS-UNIS
OU LE 1-800-668-1238 AU CANADA**

**GUIDE DE L'UTILISATEUR PARTIE NUMÉRO 769-00127A
IMPRIME AUX ÉTATS-UNIS**

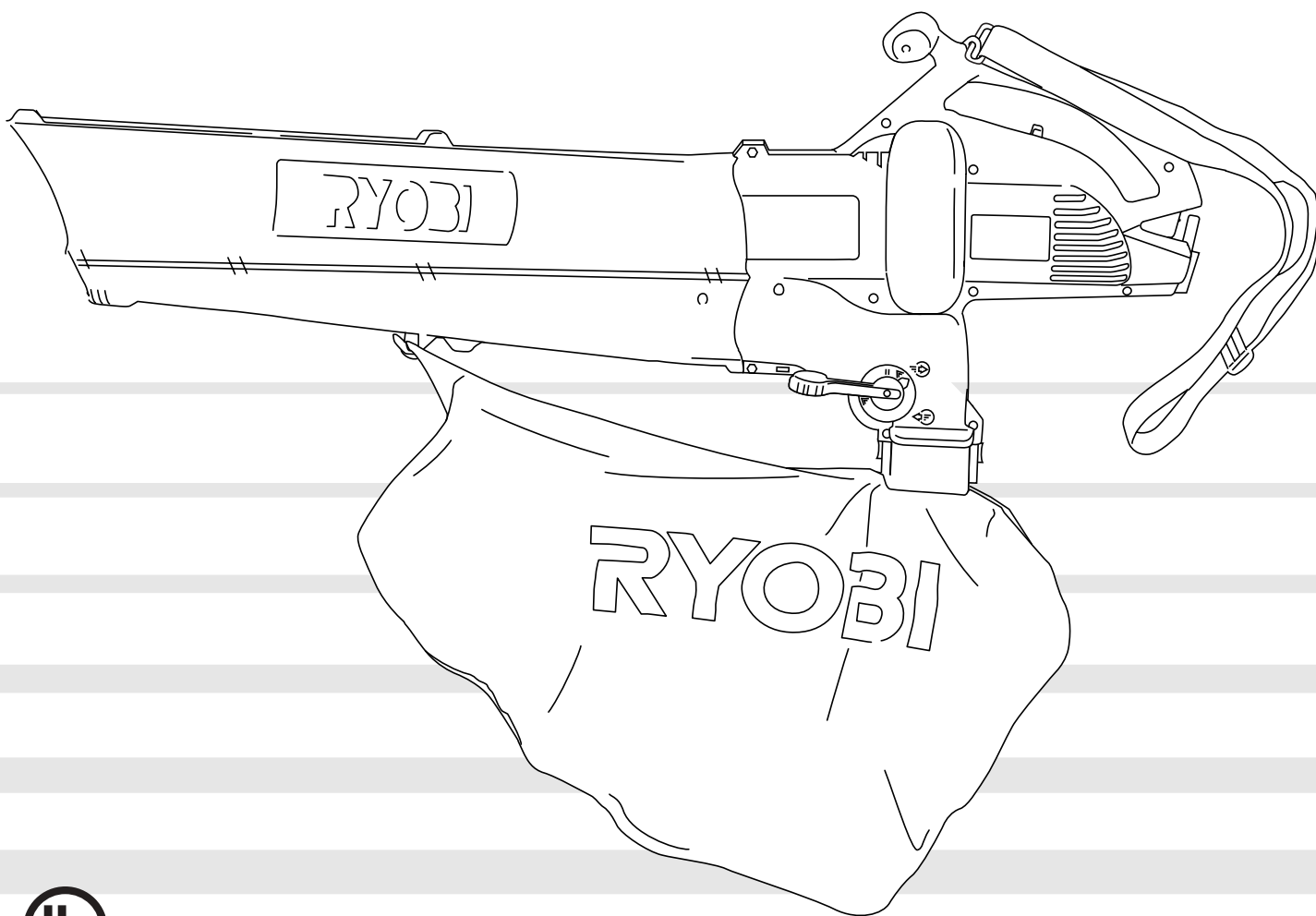
4/03

RYOBI®

RESV1300

SOPLADOR / ASPIRADOR TRITURADOR ELECTRICO

MANUAL DEL OPERADOR



SI TIENE PREGUNTAS, LLAME AL 1-800-345-8746 en EE.UU.
o al 1-800-668-1238 en CANADA
www.RyobiOutdoor.com

ESTE MANUAL ES IMPORTANTE

NO LO DESECHE

INTRODUCCION

MUCHAS GRACIAS

Muchas gracias por haber adquirido este gran producto de calidad. Esta moderna herramienta motriz para exteriores le proporcionará muchas horas de servicio útil. Usted comprobará que es un artefacto que le ahorrará mucho trabajo. Este manual del operador le proporciona instrucciones de operación de fácil comprensión. Lea todo el manual y siga todas las instrucciones para mantener su nueva herramienta motriz de exteriores en las mejores condiciones de funcionamiento.

REFERENCIAS, ILUSTRACIONES Y ESPECIFICACIONES DEL PRODUCTO

Toda la información, ilustraciones y especificaciones de este manual están basadas en la información más reciente disponible en el momento de impresión del manual. Nos reservamos el derecho de hacer cambios en cualquier momento sin notificación previa.

Copyright© 2003 MTD SOUTHWEST INC
Todos los derechos reservados.

INFORMACION ACERCA DEL SERVICIO

El servicio de esta unidad, ya sea durante o después del periodo cubierto por la garantía, debe ser realizado solamente por un proveedor de servicios autorizado y aprobado.

Llame al:

- Llame al **1-800-345-8746** en los Estados Unidos o **1-800-668-1238** en Canadá, para obtener una lista de distribuidores de servicio localizados cerca de usted.

o

- Vaya a **www.RyobiOutdoor.com** en la Red Mundial World Wide Web para obtener una lista de distribuidores de servicios localizados cerca de usted

No regrese su unidad al vendedor.

NOTA: PARA SOLICITAR SERVICIO POR LA GARANTIA, DEBERA PRESENTAR PRUEBA DE SU COMPRA.

Antes de arrancar u operar este equipo, asegúrese de leer y comprender bien este manual.

ESTE PRODUCTO ESTA CUBIERTO POR UNA O MAS PATENTES DE EE.UU., OTRAS PATENTES EN TRAMITE.

INDICE DE CONTENIDOS

I.	Normas para una operación segura	E3-E6
	A. Importante información de seguridad	E3
	B. Símbolos de seguridad e internacionales	E5
	C. Conozca su unidad	E7
II.	Instrucciones de ensamble	E8-E9
	A. Conexión y remoción del tubo soplador/aspirador	E8
	B. Conexión y remoción de la bolsa del aspirador	E9
	C. Instalación y ajuste de la correa para el hombro	E9
III.	Instrucciones de operación	E11-E14
	A. Conexión del cable de energía	E10
	B. Instrucciones de arranque y apagado	E10
	C. Cómo sostener el soplador / aspirador	E11
	D. Respiraderos	E11
	E. Operación de la unidad como soplador	E13
	F. Operación de la unidad como aspirador	E14
	G. Desbroce de un impulsor bloqueado	E15
	H. Vaciado de la bolsa del aspirador	E14
IV.	Instrucciones de mantenimiento y reparación	E15
	A. Servicio de las unidades con aislamiento doble	E15
	B. Limpieza de la unidad	E15
	C. Limpieza de la bolsa del aspirador	E15
	D. Almacenamiento	E15
	E. Inspección de los cables de prolongación	E15
	F. Accesorios y piezas de repuesto	E15
V.	Especificaciones	E16
VI.	Resolución de problemas	E16
VII.	Garantía	E20
VIII.	Lista de Piezas	Contraportada

CONTENIDO DE LA CAJA

Esta unidad incluye lo siguiente:

- Soplador / Aspirador Modelo RESV1300
- Tubo del Soplador / Aspirador
- Correa para el hombro
- Bolsa del aspirador
- Bolsa de piezas
- Manual del operador
- Tarjeta de registro del propietario

Examine todas las piezas para verificar que no falte nada y que no haya ocurrido daño durante el envío. Las piezas faltantes o dañadas deben ser reemplazadas antes de utilizar esta unidad.

NORMAS PARA UNA OPERACION SEGURA

Los símbolos de seguridad se utilizan para llamar su atención sobre posibles peligros. Los símbolos de seguridad y sus explicaciones merecen toda su atención y comprensión. Los símbolos de seguridad no eliminan ningún peligro por sí mismos. Las instrucciones o advertencias que ofrecen no substituyen las medidas adecuadas de prevención de accidentes.

SIMBOLO SIGNIFICADO



ALERTA DE SEGURIDAD:

Indica peligro, advertencia o precaución. Debe prestar atención para evitar sufrir graves lesiones personales. Puede ser utilizado junto con otros símbolos o figuras.

NOTA: Le ofrece información o instrucciones que son esenciales para la operación o mantenimiento del equipo.

SIMBOLO SIGNIFICADO



PELIGRO: El no obedecer una advertencia de seguridad puede conducir a que usted u otras personas sufran graves lesiones. Siga siempre las precauciones de seguridad para reducir el riesgo de incendio, descarga eléctrica y lesiones personales.



ADVERTENCIA: El no seguir una advertencia de seguridad puede conducir a que usted u otras personas sufran lesiones. Siga siempre las precauciones de seguridad para reducir el riesgo de incendio, descarga eléctrica y lesiones personales.



PRECAUCION: El no seguir una advertencia de seguridad puede conducir a daño patrimonial o a que usted u otras personas sufran lesiones personales. Siga siempre las precauciones de seguridad para reducir el riesgo de incendio, descarga eléctrica y lesiones personales.

• IMPORTANTE INFORMACION DE SEGURIDAD •

LEA TODAS LAS INSTRUCCIONES ANTES DE LA OPERACIÓN

- Lea todas las instrucciones con cuidado. Conozca bien los controles y el uso correcto de la unidad.
- No opere esta unidad si está cansado, enfermo, o bajo los efectos del alcohol, drogas o medicamentos.
- Los niños y los adolescentes menores de 15 años no deben operar las unidades, excepto por los adolescentes guiados por un adulto.
- Antes de cada uso, inspeccione bien su soplador / aspirador para verificar que no existan partes flojas ni dañadas. No use la unidad hasta haber realizado los ajustes o reparaciones.
- Todas las protecciones y accesorios de seguridad deben estar bien instalados antes de usar la unidad.
- Use la unidad sólo con luz de día o con buena luz artificial.
- Mantenga a todos los espectadores, en especial niños y animales domésticos, a una distancia de por lo menos 15 m (50 pies) de la unidad durante la operación.
- Inspeccione el área antes de arrancar el soplador / aspirador. Retire todo el escombros y los objetos duros o afilados como vidrio, alambre, etc.

ADVERTENCIAS DE SEGURIDAD ELECTRICA



ADVERTENCIA: Cuando use artefactos eléctricos de jardinería, siempre debe tomar precauciones básicas de seguridad para reducir el riesgo de incendio, de descarga eléctrica y de lesiones personales. Lea con cuidado y comprenda todo el manual del operador antes de usar su soplador / aspirador. Preste mucha atención a las instrucciones de operación y a las advertencias de seguridad.

- Puede utilizar un cable de extensión de 2 alambres (o sea, sin alambre de tierra), ya que la herramienta tiene doble aislación. Sin embargo, puede usarse también un cable de extensión de 3 alambres (un cable de extensión con alambre de tierra) que utilice un conector tipo NEMA (patillas paralelas, tierra en "U"). Puede adquirir cables de extensión en su comercio local. Utilice únicamente cables de extensión de camisa cilíndrica aprobados para uso al aire libre.
- Esta herramienta tiene doble aislación. Repare o sustituya los cables dañados.
- Para reducir el riesgo de choques eléctricos, esta unidad tiene un enchufe polarizado (una patilla es más ancha que la otra). Esta unidad calza en un enchufe polarizado de una sola manera. Si el enchufe no calza totalmente en la unidad, inviértalo. Si tampoco calza así, utilice un cable con la conexión correcta. No modifique el cable ni la unidad de manera alguna.

NORMAS PARA UNA OPERACION SEGURA

TAMAÑO MINIMO DE ALAMBRE PARA LOS CABLES DE EXTENSION PARA APARATOS DE 120 VOLTIOS QUE UTILIZAN 0-6 AMPERIOS*				
Long. de cable (pies)	25	50	100	150
Cal. del alambre (AWG)*	16	16	16	14

*El calibre del cable (AWG) para la capacidad nominal en amperios de 12 a 16 amperios es de 14 AWG para 25 pies, 12 AWG para 50 pies y no se recomienda para 100 o 150 pies.

- Debe proveerse protección de interrupción de circuito accionada por corriente de pérdida a tierra (GFCI) para el/los circuito(s) o toma(s) que se utilizarán para esta unidad. Existen receptáculos disponibles que tienen protección GFCI incorporada y pueden ser utilizados para esta medida de seguridad.



ADVERTENCIA: Para reducir el riesgo de choque eléctrico, utilice únicamente cables de extensión aprobados para uso al aire libre, por ejemplo un cable tipo SW-A, SOW-A, STW-A, STOW-A, SJW-A, SJOW-A, SJTW-W, o SJTOW-A.

- **CABLES DE EXTENSION:** Verifique que el cable esté en buenas condiciones. Cuando utilice un cable de extensión, verifique que el mismo sea lo suficientemente pesado para conducir la corriente consumida por la unidad. Si utiliza un cable demasiado liviano, esto ocasionará una caída de voltaje de la línea, y en consecuencia una pérdida de potencia y un sobrecalentamiento. La tabla siguiente muestra cuál es el tamaño correcto a usar, de acuerdo con la longitud del cable y el amperaje nominal que aparece en la placa de datos de la máquina. Si está en duda, utilice el siguiente tamaño más pesado. Cuanto menor es el calibre, más pesado es el cable. Para reducir la posibilidad de que la unidad se desconecte del cable de extensión durante el uso, vea la *Instrucciones de Operación*.
- La placa de datos de la unidad indica qué voltaje utiliza la misma. Nunca conecte la unidad a un voltaje de corriente alterna diferente.
- Inspeccione periódicamente todos los cables de extensión y la conexión de la unidad a la corriente. Revise el cable con cuidado para ver si hay deterioros, cortes, o grietas en la aislación. Inspeccione también las conexiones para ver si han sufrido daños. Si observa algún defecto, repare o reemplace los cables.
- Evite los ambientes peligrosos. Nunca utilice la unidad en ambientes húmedos o mojados. La humedad crea peligro de choque eléctrico.
- No utilice la unidad bajo la lluvia.
- No toque el enchufe o la unidad con las manos mojadas.

DURANTE LA OPERACION

- Use anteojos o gafas de protección que indiquen que cumplen con las normas ANSI Z87.1, y use protección para sus oídos y audición cuando opere esta unidad. Use una pantalla facial o una máscara para polvo si la operación levanta polvo.
- Use pantalones gruesos y largos, botas, guantes y camisa de manga larga. No use ropa holgada, alhajas, pantalones cortos, sandalias ni esté descalzo. Sostenga su cabello sobre el nivel de sus hombros.
- Evite los arranques accidentales. No transporte la unidad enchufada con su dedo en el interruptor. Verifique que el interruptor esté apagado cuando enchufe la unidad.
- No ponga la unidad sobre ninguna superficie excepto sobre una superficie que esté limpia y que sea sólida, cuando el motor esté prendido. Los desechos tales como la grava, arena, polvo, césped, etc., pueden ser absorbidos por la toma de aire y ser lanzados por la abertura de descarga, causándole daños a la unidad, propiedad o causándole lesiones graves a los espectadores o al operario.
- Use la herramienta adecuada. No use la unidad para ninguna labor para la cual no ha sido diseñada. Use sólo los accesorios recomendados por el fabricante.
- No se extienda demasiado ni use la unidad desde superficies inestables como escaleras, árboles, inclinaciones escarpadas, techos, etc. Mantenga una posición y equilibrios adecuados en todo momento.
- No abuse del cable. No transporte nunca la unidad llevándola del cable ni desenchufe la unidad del receptáculo tirando del cable. Mantenga el cable lejos del calor, aceite y bordes afilados.
- No desenchufe la unidad tirando del cable. Para desenchufar, tome el enchufe, no el cable.
- Permanezca siempre alerta. Use su sentido común. Para evitar que usted o los demás sufran lesiones, no opere esta unidad si está cansado.
- No opere la unidad mientras se encuentre bajo los efectos de drogas, alcohol o medicamentos.
- No deje el Soplador / Aspirador enchufado mientras no lo use, mientras cambie los accesorios ni mientras realice el servicio.
- No coloque ningún objeto en las aberturas. No use la unidad con ninguna abertura bloqueada; mantenga la unidad libre de suciedad, escombros y nada que pueda reducir el flujo de aire.
- Mantenga su cabello, la ropa holgada, los dedos y todas las partes de su cuerpo lejos de las aberturas y las partes móviles.

NORMAS PARA UNA OPERACION SEGURA

- Use sólo piezas y accesorios de repuesto Genuine Factory Parts™ para esta unidad. Puede obtenerlos en su proveedor de servicio autorizado. El uso de piezas y accesorios que no son equipo original puede causar graves lesiones al operador o el daño de su unidad, y la cancelación de su garantía.
- No fuerce la unidad. Realizará una mejor labor con menos posibilidad de lesiones si se utiliza a la velocidad para la que fue diseñada.
- No use nunca el Soplador / Aspirador sin el tubo del soplador / aspirador y la bolsa del aspirador conectados.
- Apague todos los controles antes de desenchufar.
- Desenchufe el Soplador / Aspirador antes de intentar instalar o retirar el tubo del soplador / aspirador o la bolsa del aspirador. La unidad debe estar desenchufada, y las cuchillas del impulsor deben estar quietas para evitar el contacto con las cuchillas giratorias.

MIENTRAS OPERA COMO SOPLADORA

- Nunca apunte la sopladora hacia a la gente, mascotas o ventanas. Dirija siempre el soplo de desechos lejos de la gente, animales y ventanas. Tenga mucho cuidado cuando sople desechos cerca de objetos sólidos como árboles, automóviles, paredes, etc.

MIENTRAS OPERA COMO ASPIRADORA

- Evite situaciones que puedan prenderle fuego a la bolsa de recolección. No la haga funcionar cerca de una llama abierta. No aspire cenizas tibias de chimeneas, hoyos para asado, montones de maleza, etc. No aspire cigarrillos o cigarrillos descartados a menos que las cenizas estén completamente frías.

- La unidad está diseñada para recoger material seco tal como hojas, césped, ramitas y pedazos de papel. No intente aspirar desechos mojados o agua estancada ya que eso puede ocasionarle daños a la sopladora / aspiradora. Para evitarle daños graves al rotor, no aspire metales, vidrios rotos, etc.

OTRAS ADVERTENCIAS DE SEGURIDAD

- Asegúrese de sujetar la unidad mientras la transporta.
- Guarde la unidad en un lugar seco, bien sea bajo llave o suficientemente alto para que evite el uso no autorizado o daños. Manténgala fuera del alcance de los niños.
- Nunca remoje o chorree la unidad con agua o cualquier otro líquido. Mantenga los mangos secos, limpios y libres de escombros. Limpíela después de cada uso, vea las *Instrucciones de Limpieza y Almacenamiento*.
- Conserve estas instrucciones. Consúltelas con frecuencia y úselas para instruir a otros usuarios. Si le presta esta unidad a otras personas, también incluya las instrucciones.

CONSERVE ESTAS INSTRUCCIONES

NORMAS PARA UNA OPERACIÓN SEGURA

SIMBOLOS DE SEGURIDAD E INTERNACIONALES

Este manual del operador describe los símbolos y figuras de seguridad e internacionales que pueden aparecer en este producto. Lea el manual del operador para obtener información completa acerca de la seguridad, ensamble, operación y mantenimiento y reparación.

SIMBOLO

SIGNIFICADO



• SIMBOLO DE ALERTA DE SEGURIDAD

Indica peligro, advertencia o precaución. Puede ser utilizado junto con otros símbolos o figuras.



• ADVERTENCIA - LEA EL MANUAL DEL OPERADOR

Lea el manual del operador y siga todas las advertencias e instrucciones de seguridad. De no hacerlo, el operador y/o los espectadores pueden sufrir graves lesiones.



• USE PROTECCION OCULAR Y AUDITIVA

ADVERTENCIA: Los objetos arrojados por la unidad y el ruido fuerte pueden causar graves lesiones oculares y pérdida auditiva. Utilice protección ocular que cumpla con las normas ANSI Z87.1 y protección auditiva cuando opere esta unidad. Use una careta completa cuando la necesite.



• LOS OBJETOS DESPEDIDOS Y LA CUCHILLA ROTATIVA PUEDEN CAUSAR GRAVES LESIONES

ADVERTENCIA: Manténgase alejado de la salida del soplador. Nunca dirija el soplador hacia usted mismo ni hacia los demás. Los objetos pueden salir despedidos del soplador. No opere esta unidad sin los accesorios y protecciones adecuados en su lugar.

SIMBOLO

SIGNIFICADO



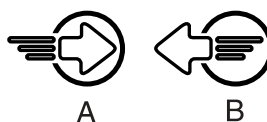
• NO USE LA UNIDAD BAJO LA LLUVIA

ADVERTENCIA: Evite los ambientes peligrosos. No opere nunca su unidad bajo la lluvia, ni en condiciones de humedad. La humedad presenta un riesgo de descarga eléctrica.



• LAS SOPLADORAS- CUCHILLAS GIRATORIAS DEL ROTOR PUEDEN CAUSAR LESIONES GRAVES

ADVERTENCIA: Pare el motor y permita que el rotor se detenga antes de instalar o cambiar tubos o la bolsa, o antes de limpiar o hacerle cualquier mantenimiento.



• PALANCA DE CAMBIO DE MODO DEL SOPLADOR / ASPIRADOR

A - Modo de aspirador
B - Modo de soplador



• MANTENGA ALEJADOS A LOS ESPECTADORES

ADVERTENCIA: Mantenga a todos los espectadores, en especial a niños y animales domésticos a por lo menos 15 m (50 pies) del área de corte.

NORMAS PARA UNA OPERACION SEGURA

CONOZCA SU UNIDAD

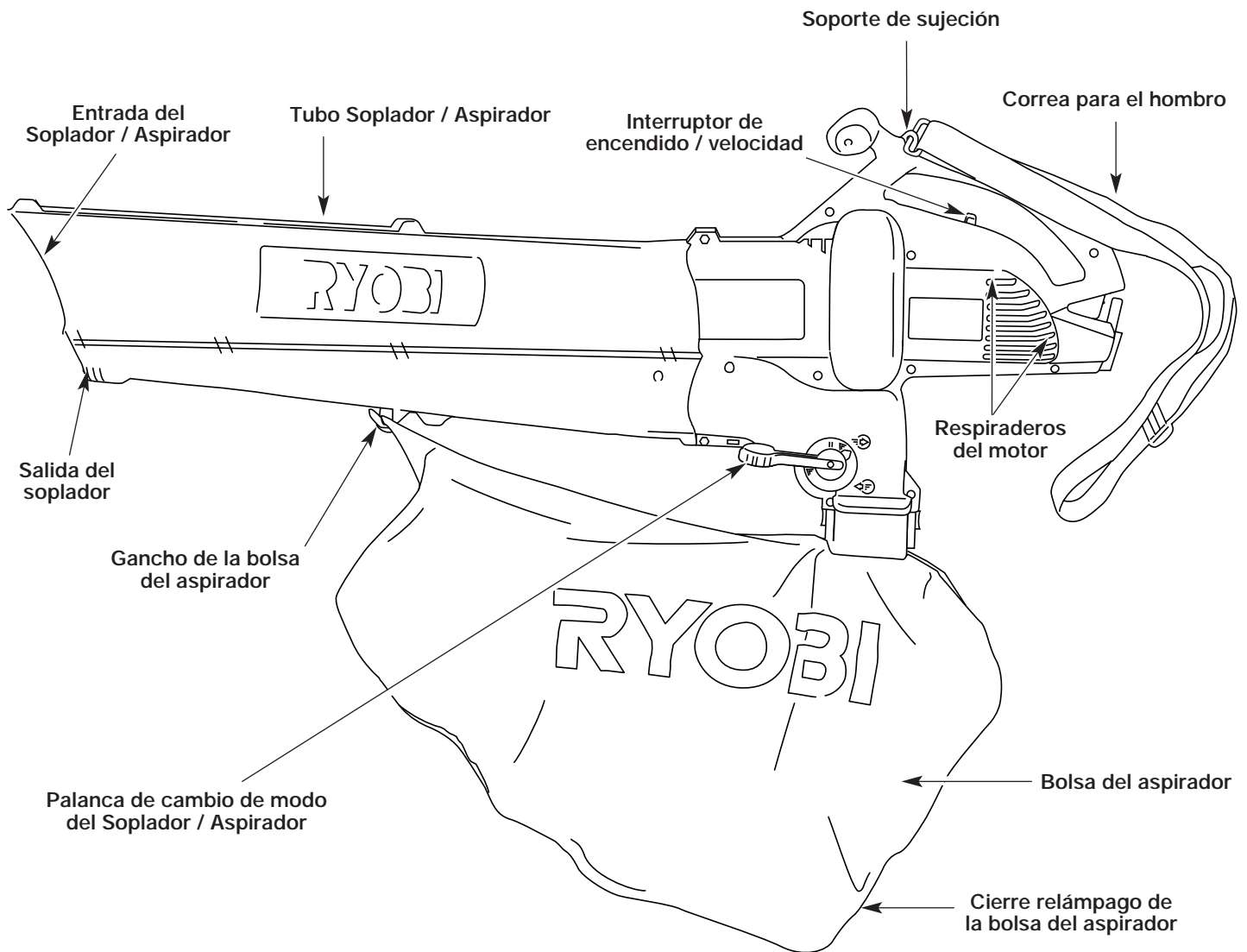
APLICACIÓN

Como soplador:

- Limpieza de jardines, cocheras, entradas de automóviles, pórticos, patios, alrededor de paredes, cercos, etc.

Como aspirador:

- Recoger hojas, escombros livianos, etc.



INSTRUCCIONES DE ENSAMBLE

CONEXIÓN Y REMOCIÓN DEL TUBO DEL SOPLADOR / ASPIRADOR



ADVERTENCIA: Para evitar graves lesiones personales, debe usar el tubo del soplador / aspirador y la bolsa del aspirador cuando opere esta unidad.

Conexión

NOTA: El tubo del soplador / aspirador no viene ensamblado en esta unidad. Se requiere su instalación para ofrecer un uso fácil y seguro al operador.



ADVERTENCIA: Para evitar graves lesiones personales, apague el motor y espere que el propulsor se detenga antes de conectar o retirar los tubos.

1. Saque los tornillos y las tuercas incluidos en la bolsa de piezas.
2. Inserte el tubo del soplador / aspirador hasta el fondo de la abertura del bastidor del motor, hasta que los orificios de las orejetas del tubo del soplador / aspirador se alineen con los orificios de los tornillos del bastidor (Fig. 1).
3. Inserte los 2 (dos) tornillos ranurados 8-32 x 3/4 pulg. T20 Torx en el lado derecho del bastidor del motor y las 2 (dos) tuercas en el lado izquierdo del bastidor del motor (Fig. 1).

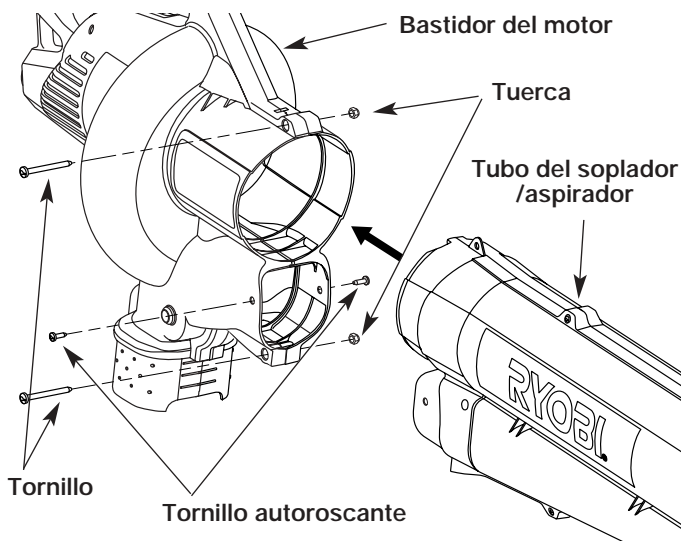


Fig. 1

4. Ajuste los tornillos con firmeza. No los ajuste demasiado.
5. Instale los 2 (dos) tornillos autoroscantes ranurados 20,3 cm - 16 x 1,9 cm (8-16 x 3/4") T20 Torx restantes en los orificios de cualquiera de los lados del bastidor (Fig. 1). Ajuste hasta que no quede huelgo, no los ajuste demasiado.

Remoción

NOTA: Es posible que deba retirar el tubo del soplador / aspirador para desbrozar un tubo o propulsor que estén obstruidos.



ADVERTENCIA: Para evitar graves lesiones personales, apague el motor y espere que el propulsor se detenga antes de conectar o retirar tubos.

1. Saque los 2 (dos) tornillos autoroscantes de cualquiera de los lados del bastidor.
2. Saque los 2 (dos) tornillos y tuercas que sostienen el tubo del soplador / aspirador en el bastidor (Fig. 2).

NOTA: Guarde las piezas en un lugar seguro para su uso futuro.

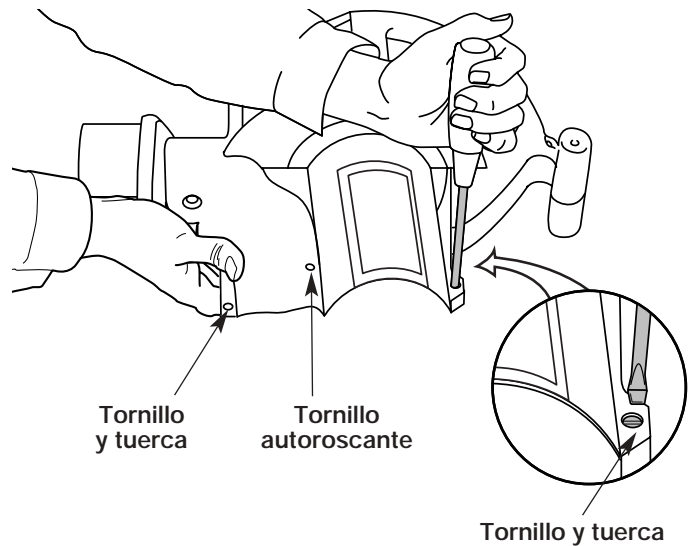


Fig. 2

3. Saque el tubo del soplador / aspirador del bastidor del motor.
4. Vuelva a colocar el tubo del soplador / aspirador antes de usar la unidad.

INSTRUCCIONES DE ENSAMBLE

CONEXIÓN Y REMOCIÓN DE LA BOLSA DEL ASPIRADOR

Conexión

1. Conecte la bolsa del aspirador al gancho de la bolsa del aspirador del tubo del soplador/aspirador (Fig. 3).

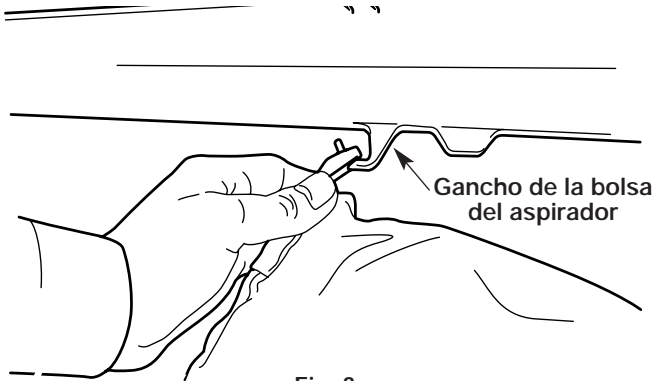


Fig. 3

2. Deslice el tubo de la bolsa del aspirador sobre el tubo de salida de escombros del bastidor. Empuje el tubo hasta que las lengüetas de sujeción de ambos lados se traben en su lugar, asegurando la bolsa en la unidad (Fig. 4).

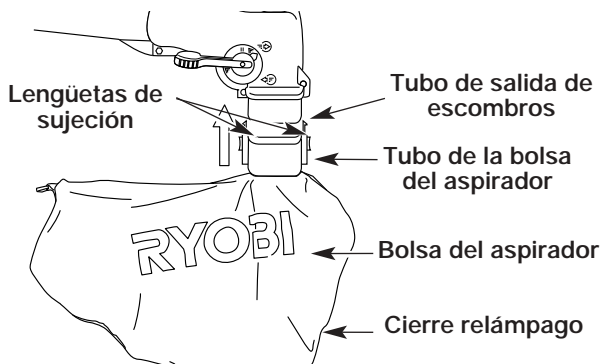


Fig. 4

Remoción

1. Presione las lengüetas de sujeción a ambos lados del tubo de la bolsa del aspirador y tire de la bolsa del aspirador hacia abajo de la unidad (Fig. 5).
2. Desenganche la bolsa del aspirador del gancho de la bolsa del aspirador.

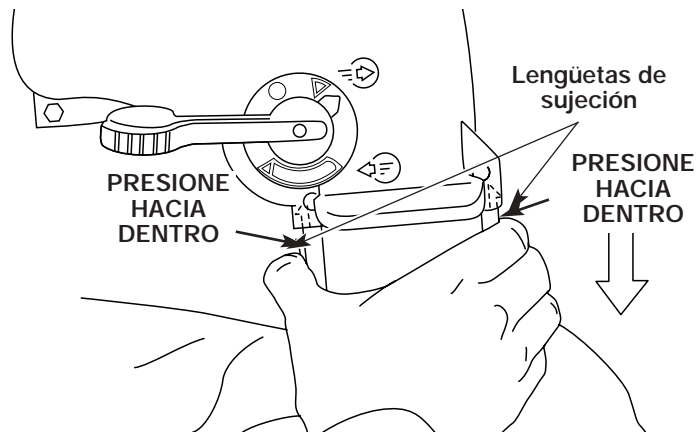


Fig. 5

INSTALACION DEL ARNES

1. Pase la correa por el centro de la hebilla.
2. Pase la correa sobre la barra transversal y hacia abajo por la ranura de la hebilla (Fig. 6).

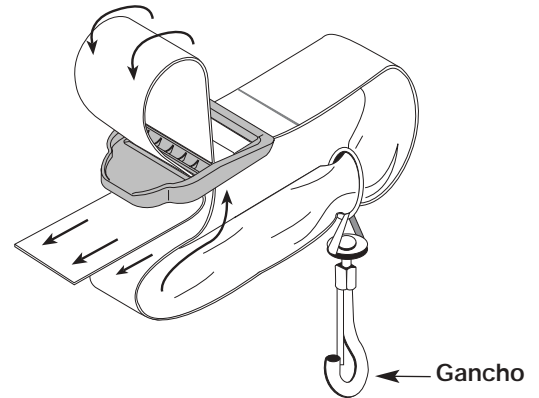


Fig. 6

3. Enganche el broche en el montaje de apoyo (Fig. 7).

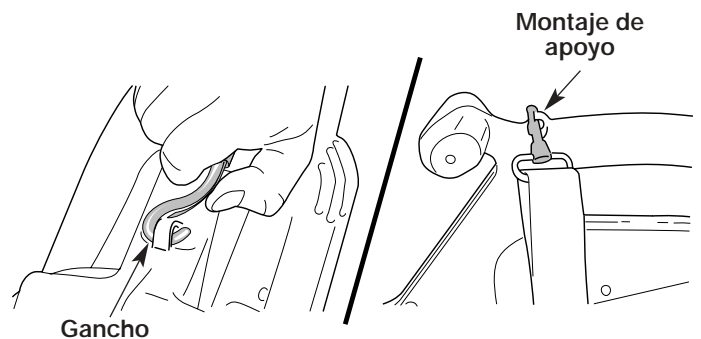


Fig. 7

4. Ajuste la longitud a la medida del operador. Tire de la lengüeta para alargarla, tire de la correa para acortarla (Fig. 8).

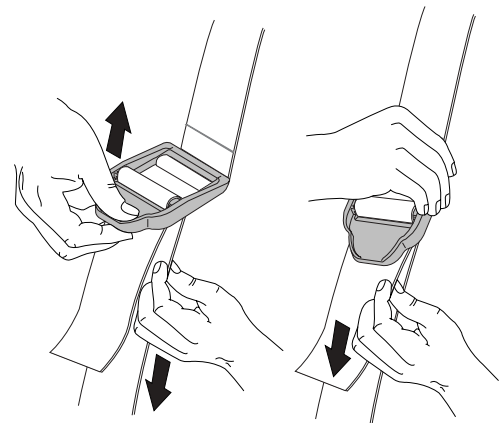


Fig. 8

INSTRUCCIONES DE OPERACION

CONEXION DEL CABLE DE ENERGIA

Utilice una cuerda eléctrica al aire libre (mínimo 7,6 m o 25 pies de largo, 16AWG). Otros tamaños incluyen:

TAMAÑO MÍNIMO DE ALAMBRE PARA LOS CABLES DE EXTENSION PARA APARATOS DE 120 VOLTIOS QUE UTILIZAN 0-6 AMPERIOS*				
Long. de cable (pies)	25	50	100	150
Cal. del alambre (AWG)*	16	16	16	14



ADVERTENCIA: Para reducir el riesgo de descarga eléctrica, esta unidad cuenta con un enchufe polarizado (una patilla es más ancha que la otra) y requiere el uso de un cable de extensión polarizado.

Esta unidad calzará en un cable de extensión polarizado en una sola dirección. Si el enchufe no calza por completo en el cable de extensión, invierta el enchufe. Si el enchufe aún no calza, obtenga un cable de extensión polarizado adecuado.

Un cable de extensión polarizado requiere el uso de un toma de pared polarizado. Este enchufe calzará en un toma de pared polarizado en una sola dirección. Si el enchufe no calza por completo en el toma de la pared, invierta el enchufe. Si el enchufe aún no calza, comuníquese con un electricista calificado para que instale un toma de pared adecuado. No cambie el enchufe de la unidad, ni el receptáculo del cable de extensión ni el enchufe del cable de extensión de ningún modo.

1. Asegure el cable de extensión al bastidor del motor según se indica (Fig. 9) para evitar la remoción accidental del cable de electricidad.

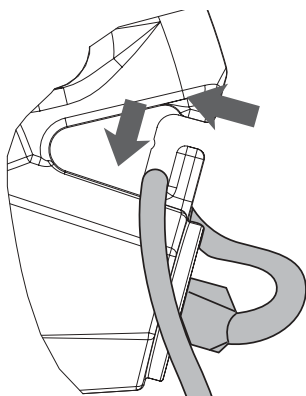


Fig. 9

2. Enchufe el extremo hembra del cable de electricidad en el receptáculo de la parte posterior de la unidad (Fig. 10).

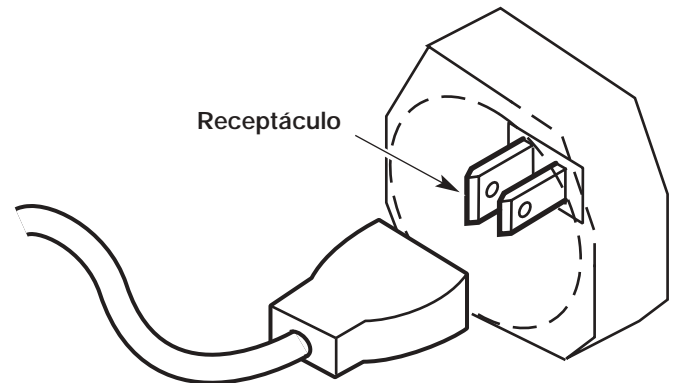


Fig. 10

INSTRUCCIONES DE ARRANQUE Y APAGADO

Esta unidad está equipada con un interruptor de tres puntos para APAGADO/BAJO/ALTO (OFF/LOW/HIGH) (Fig. 11).

- Deslice el interruptor totalmente hacia abajo para APAGADO (OFF).
- Deslice el interruptor hasta el primer punto para BAJO (LOW).
- Deslice el interruptor hacia arriba hasta el segundo punto para ALTO (HIGH).

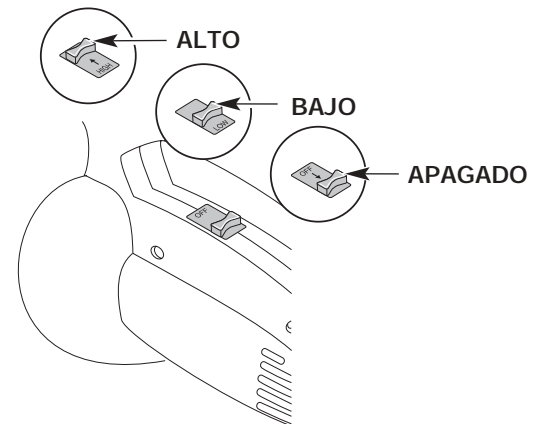


Fig. 11

INSTRUCCIONES DE OPERACION

SOSTENIMIENTO DE LA SOPLADORA/ASPIRADORA

Antes de operar esta unidad, párese en la posición de operación (Fig. 12). Verifique lo siguiente:

- El operador está vestido con la ropa apropiada tal como botas, gafas de protección, protección auditiva, guantes, pantalones largos y camisa de manga larga.



ADVERTENCIA: Para evitar lesiones personales graves, póngase gafas de seguridad en todo momento cuando maneje esta unidad. Póngase una máscara o máscara para polvo en sitios que sean polvorientos.

- Si las condiciones son polvorientas, el operador lleva puesta una máscara.
- La unidad se encuentra en buen estado de funcionamiento.
- Los tubos y protectores están puestos y asegurados en su lugar.



ADVERTENCIA: Dependiendo del modelo, asegúrese que los tubos de soplado o de succión y la bolsa de recolección estén en su lugar antes de operar la unidad, para evitar causarse lesiones personales graves o causárselas a otras personas, u ocasionarle daños a la unidad.

CONSEJOS ÚTILES SOBRE LA OPERACIÓN

- Verifique que el cierre relámpago de la bolsa esté cerrado antes de operar la unidad.
- Asegúrese que la unidad no apunte hacia desechos sueltos o personas antes de ponerla en marcha.
- Compruebe que la unidad se encuentre en buen estado de funcionamiento. Verifique que los tubos y protectores estén puestos y asegurados en su lugar.
- Sostenga siempre la unidad con las dos manos mientras la use. Mantenga un agarre firme en las manijas o mangos anteriores y posteriores.

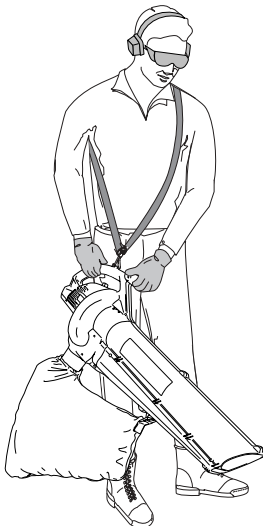


Fig. 12

- Se requiere el uso de protección auditiva para reducir el riesgo de pérdida auditiva asociada con los niveles de sonido.
- Opere el equipo solamente durante horas razonables — no muy temprano en las mañanas ni muy tarde en las noches, cuando la gente se pueda molestar. Acate las horas detalladas en las ordenanzas locales. La recomendación usual es de 9:00 am a 5:00 pm, de lunes a sábado.
- Limite el número de equipos que se usen simultáneamente, para reducir los niveles de ruido.
- Opere las sopladoras motorizadas a la menor velocidad posible, para hacer el trabajo y reducir los niveles de ruido.
- Verifique el estado del equipo antes del funcionamiento, especialmente el tubo de escape, tomas de aire y filtros de aire.
- Use rastrillos y escobas para esparcir los desechos antes de soplarlos.
- Remoje ligeramente las superficies o use un aditamento para rociar cuando haya agua disponible y se encuentre bajo condiciones polvorientas.
- Conserve agua mediante el uso de sopladoras motorizadas en vez de usar mangueras para muchas de las aplicaciones de prados y ajardinado, incluyendo áreas tales como canales, mallas, patios, parrillas, pórticos y jardines.
- Tenga cuidado con los niños, animales domésticos, ventanas abiertas y automóviles recién lavados, y sople los desechos en forma segura.
- Use la extensión completa de la boquilla sopladora de manera que el chorro de aire salga cerca al suelo.
- Limpie después de usar las sopladoras y otros equipos. Deposite los desechos en recipientes para la basura.

RESPIRADEROS

No cubra nunca los respiraderos. Manténgalos libres de obstrucciones y escombros. Deben permanecer siempre libres para el enfriamiento adecuado del motor (Fig. 13).

Respiraderos

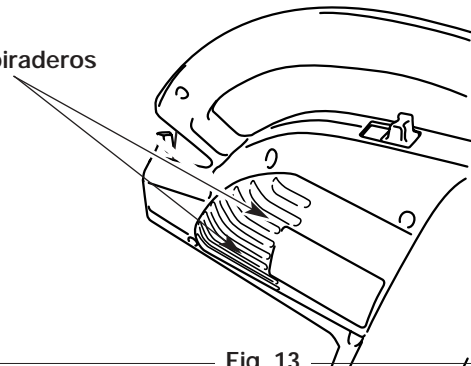


Fig. 13



ADVERTENCIA: Para evitar lesiones personales graves, no use ropa holgada ni artículos como bufandas, cuerdas, cadenas, corbatas, etc. que puedan ser absorbidos por los respiraderos. Para asegurar que el cabello largo no sea absorbido por el respiradero, recoja su cabello sobre el nivel de sus hombros.

INSTRUCCIONES DE OPERACION

OPERACIÓN DE LA UNIDAD COMO SOPLADOR

El Convertir a un Soplador

1. Arranque la unidad. Lea las *Instrucciones de arranque y apagado*.
2. Coloque la palanca de cambio de modo del soplador / aspirador en la posición hacia arriba (Modo de soplador) (Fig. 14).

NOTA: No use nunca la unidad con la palanca en la posición intermedia.

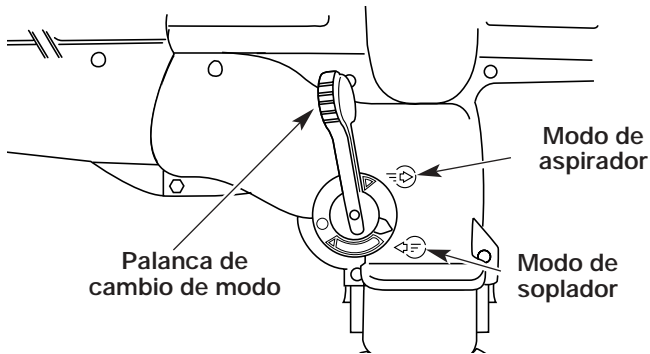


Fig. 14

Procedimiento de Operación Para la Sopladora

Sostenga el soplador según se ilustra en las Figs. 15, 16 y 17. Barra de lado a lado con la boquilla a varias pulgadas sobre el suelo o el piso. Avance lentamente, manteniendo una pila de escombros acumulado frente a usted.

La mayoría de las operaciones de soplado de aire se realizan mejor a una velocidad baja que alta, mientras que la velocidad alta es mejor para mover elementos más pesados como escombros pesados y grava.

1. Use la sopladora para árboles, arbustos, macizos de flores y zonas de limpieza difícil (Fig. 15).
2. Use la unidad alrededor de edificios y para otras limpiezas normales (Fig. 16).
3. Use la sopladora para paredes, salientes, cercas y mallas (Fig. 17).



Fig. 15



Fig. 16



Fig. 17

INSTRUCCIONES DE OPERACION

OPERACIÓN DE LA UNIDAD COMO ASPIRADOR

El Convertir a un Aspirador

1. Arranque la unidad. Lea las *Instrucciones de arranque y apagado*.
2. Coloque la palanca de cambio de modo del soplador/ aspirador en la posición hacia abajo (modo de aspirador) (Fig. 18).

NOTA: No use nunca la unidad con la palanca en la posición intermedia.

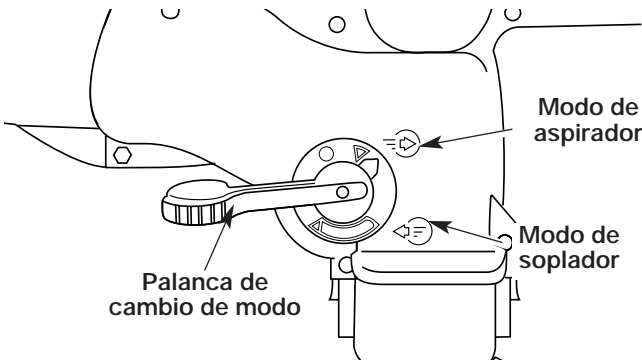


Fig. 18



Fig. 19

ADVERTENCIA: Para evitar lesiones personales graves, nunca abra el cierre relámpago de la bolsa sin detener primero la unidad.

ADVERTENCIA: Como aspirador, la unidad está diseñada para recoger material seco como hojas, césped, ramas pequeñas y trocitos de papel. Para evitar lesiones personales graves, no intente aspirar residuos húmedos ni agua estancada, ya que esto puede causar el daño del Soplador / Aspirador. Para evitar graves daños en el propulsor, no aspire metal, vidrios rotos, etc.

ADVERTENCIA: Evite situaciones que puedan causar que la bolsa del aspirador se prenda fuego. No opere la unidad cerca de una llama. No aspire cenizas calientes de hogares, fosos de parrillas, pilas de maleza, etc. No aspire cigarrillos ni cigarrillos desechados a menos que las cenizas estén completamente frías.

ADVERTENCIA: Para evitar lesiones personales graves y el daño de la unidad, instale siempre los tubos de aspiración, la bolsa del aspirador y verifique que el cierre relámpago de la bolsa del aspirador esté completamente cerrado cuando opere esta unidad como un aspirador.

Operación Como Aspirador

Antes de operar la unidad, verifique lo siguiente:

- El operador viste ropa adecuada, como botas, lentes o gafas de protección, protección para los oídos y audición, guantes, pantalones largos y camisa de manga larga.
- Si el trabajo levanta polvo, se utiliza una máscara para polvo o una máscara facial.
- La unidad está en buenas condiciones de funcionamiento. Los tubos de aspiración y la bolsa del aspirador están colocados en su lugar y asegurados.
- El arnés de la bolsa del aspirador está colocado en su lugar y bien ajustado.

Use la unidad para aspirar escombros chicos, hojas, papel, etc.

Sostenga el aspirador, inclinando ligeramente (50-100 mm, 2-4 pulg.) el tubo de aspiración, y use un movimiento de barrido para recoger el escombros chico (Fig. 19). El escombros fluirá dentro de la bolsa del aspirador. Los objetos como las hojas pequeñas y las ramas pequeñas serán trituradas a medida que pasan a través del bastidor del ventilador, permitiendo que la bolsa del aspirador cargue más escombros.

Cuando la bolsa está llena, la aspiración disminuirá en forma notable. Apague la unidad y espere que el propulsor se detenga antes de abrir el cierre relámpago de la bolsa. Abra el cierre relámpago de la bolsa y vacíe su contenido antes de continuar. Lea *Vaciado de la Bolsa del Aspirador*.

NOTA: Vacíe la bolsa después de cada uso para evitar el deterioro y obstrucción de la circulación de aire, lo cual reducirá el rendimiento del aspirador.

INSTRUCCIONES DE OPERACION

DESBROCE DE UN TUBO / PROPULSOR OBSTRUIDO



ADVERTENCIA: Para evitar graves lesiones personales, use siempre guantes para protegerse contra las cuchillas del propulsor o contra otros objetos afilados.



ADVERTENCIA: Para evitar graves lesiones personales, verifique que la unidad esté apagada antes de limpiarla o realizar cualquier tipo de mantenimiento en ella.

1. Oprima y sostenga el Interruptor de encendido / velocidad en la posición de apagado (OFF) hasta que el motor se apague por completo (Fig. 11).
2. Desconecte el cable de la bujía de encendido para evitar que la unidad arranque.
3. Quite el tubo del soplador/aspirador y la bolsa del aspirador.
4. Saque con cuidado el material que está obstruyendo el tubo o el propulsor. Inspeccione las cuchillas para verificar que no hayan ocurrido daños. Gire las cuchillas del propulsor a mano para asegurar que haya desbrozado la obstrucción por completo.
5. Vuelva a instalar la bolsa del aspirador y el tubo del soplador / aspirador.
6. Vuelva a conectar el cable de la bujía de encendido.

VACIADO DE LA BOLSA DEL ASPIRADOR



ADVERTENCIA: Para evitar graves lesiones personales, nunca abra el cierre relámpago ni saque la bolsa del aspirador sin antes apagar la unidad.

NOTA: Vacíe la bolsa del aspirador luego de cada uso para evitar el deterioro y la obstrucción de la circulación de aire, lo cual reducirá el rendimiento del aspirador.



ADVERTENCIA: Use siempre protección ocular y una máscara para protegerlo contra el polvo cuando vacíe la bolsa del aspirador.

1. Mientras presiona las lengüetas de sujeción a ambos lados del tubo de la bolsa del aspirador, saque la bolsa del aspirador hacia abajo de la unidad (Fig. 20).
2. Desconecte la bolsa del aspirador del gancho de la bolsa del aspirador.

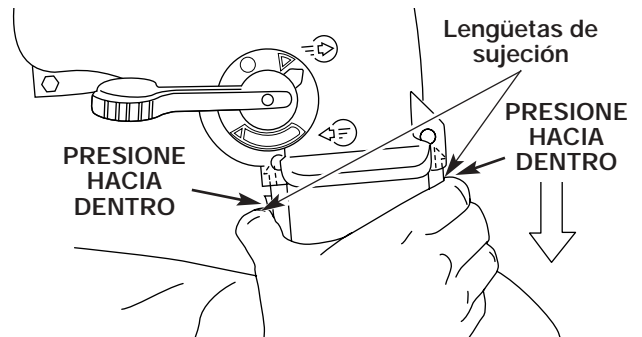


Fig. 20

3. Abra el cierre relámpago de la bolsa y vacíe su contenido en una bolsa o recipiente de basura.
4. Dé vuelta la bolsa hacia fuera luego del vaciado inicial y agite con fuerza para eliminar el polvo y el escombros.
5. Dé vuelta la bolsa con el lado exterior hacia fuera, suba el cierre relámpago y vuelva a instalar la bolsa del aspirador.


INSTRUCCIONES DE MANTENIMIENTO Y REPARACION

SERVICIO DE LAS UNIDADES CON AISLAMIENTO DOBLE

Esta unidad cuenta con un aislamiento doble. En una unidad con aislamiento doble, existen dos sistemas de aislamiento en vez de conexión a tierra. No se proporciona ningún medio de conexión a tierra en una unidad de aislamiento doble, ni deben agregarse medios de conexión a tierra a esta unidad.

El servicio de una unidad con aislamiento doble requiere mucho cuidado y conocimiento del sistema, y debe ser realizado únicamente por personal de servicio calificado. Las piezas de repuesto para una unidad con aislamiento doble deben ser idénticas a las piezas que reponen. Solicite todas las reparaciones a un proveedor de servicio autorizado. Una unidad de aislamiento doble está indicada con las palabras "double insulation" o "double insulated."

LIMPIEZA DE LA UNIDAD

	ADVERTENCIA: Para evitar graves lesiones personales, apague siempre su unidad y espere que se enfríe antes de limpiarlo o realizar cualquier tipo de mantenimiento.
---	--

Use un cepillo pequeño para limpiar la parte exterior de la unidad. No use detergentes fuertes. Los limpiadores domésticos que contienen aceites aromáticos como pino y limón, y con solventes como el queroseno pueden dañar el bastidor de plástico y la manija. Seque toda la humedad con un paño suave.

LIMPIEZA DE LA BOLSA DEL ASPIRADOR

1. Vacíe la bolsa luego de cada uso para evitar el deterioro y la obstrucción del flujo de aire, lo cual reducirá el rendimiento del aspirador.
2. Limpie la bolsa según sea necesario usando protección ocular y máscara para el polvo. Dé vuelta la bolsa con el interior hacia afuera luego del vaciado inicial y sacuda la bolsa vigorosamente para desprender el polvo y el escombros.

3. Lave la bolsa una vez por año o con más frecuencia si es necesario:
 - a. Retire la bolsa del aspirador.
 - b. Dé vuelta la bolsa con el interior hacia afuera.
 - c. Cuelgue la bolsa.
 - d. Limpie con una manguera por completo, lavando desde afuera hacia adentro.
 - e. Cuélguela para secarla.
 - f. Vuelva a dar vuelta la bolsa con el lado exterior hacia afuera y vuelva a instalarla.

INSPECCION DE LOS CABLES DE EXTENSION

Inspeccione todos los cables de extensión con frecuencia. Observe bien si no existe deterioro, cortes o grietas en el aislamiento. Inspeccione si hay daños en los conectores. Cambie los cables si están defectuosos o dañados.

ALMACENAMIENTO

- Guarde la unidad en un lugar seco y alto o bajo llave, fuera del alcance de los niños.
- Guarde la unidad bajo llave para evitar el uso no autorizado o el daño de la unidad.
- Guarde la unidad en un área seca y bien ventilada.

ACCESORIOS Y PIEZAS DE REPUESTO

Bolsa del aspirador	182416
Ensamble del tubo del soplador / aspirador	182415
Arnés para el hombro	682075

Para piezas de repuesto específicas, consulte la lista de piezas ubicada en la parte interior de la cubierta posterior de este manual.

ESPECIFICACIONES

Amperaje del motor	12 Amperios
Salida de aire del soplador	hasta 257,5 km/h (160 millas/hora)
Flujo de aire del aspirador.....	hasta 12 m ³ /m (424 pies ³ /m)
Proporción de triturado	hasta 10:1
Peso operativo	4,5 kg (10 libras)
Capacidad de la bolsa del aspirador.....	26,4 L (0,75 fanegas)

RESOLUCION DE PROBLEMAS

LA UNIDAD NO SOPLA O NO ASPIRA

CAUSA

La bolsa está llena
 El tubo está bloqueado

 El impulsor está bloqueado

 El impulsor está dañado
 La bolsa está sucia
 La bolsa está desgarrada
 El cierre relámpago está abierto
 La unidad no está enchufada

ACCION

Vacíe la bolsa, lea *Vaciado de la Bolsa del Aspirador*
 Desbroce la obstrucción, lea *Desbroce de un tubo / impulsor bloqueado*
 Desbroce la obstrucción, lea *Desbroce de un tubo / impulsor bloqueado*
 Lleve la unidad a un proveedor de servicio autorizado
 Limpie la bolsa
 Cambie la bolsa
 Cierre la bolsa con el cierre relámpago
 Enchufe en un toma o en un cable de extensión

EL MOTOR NO ARRANCA

CAUSA

El motor se detiene, o la unidad está desenchufada tomacorriente

ACCION

Revise el cable para ver si está enchufado a un

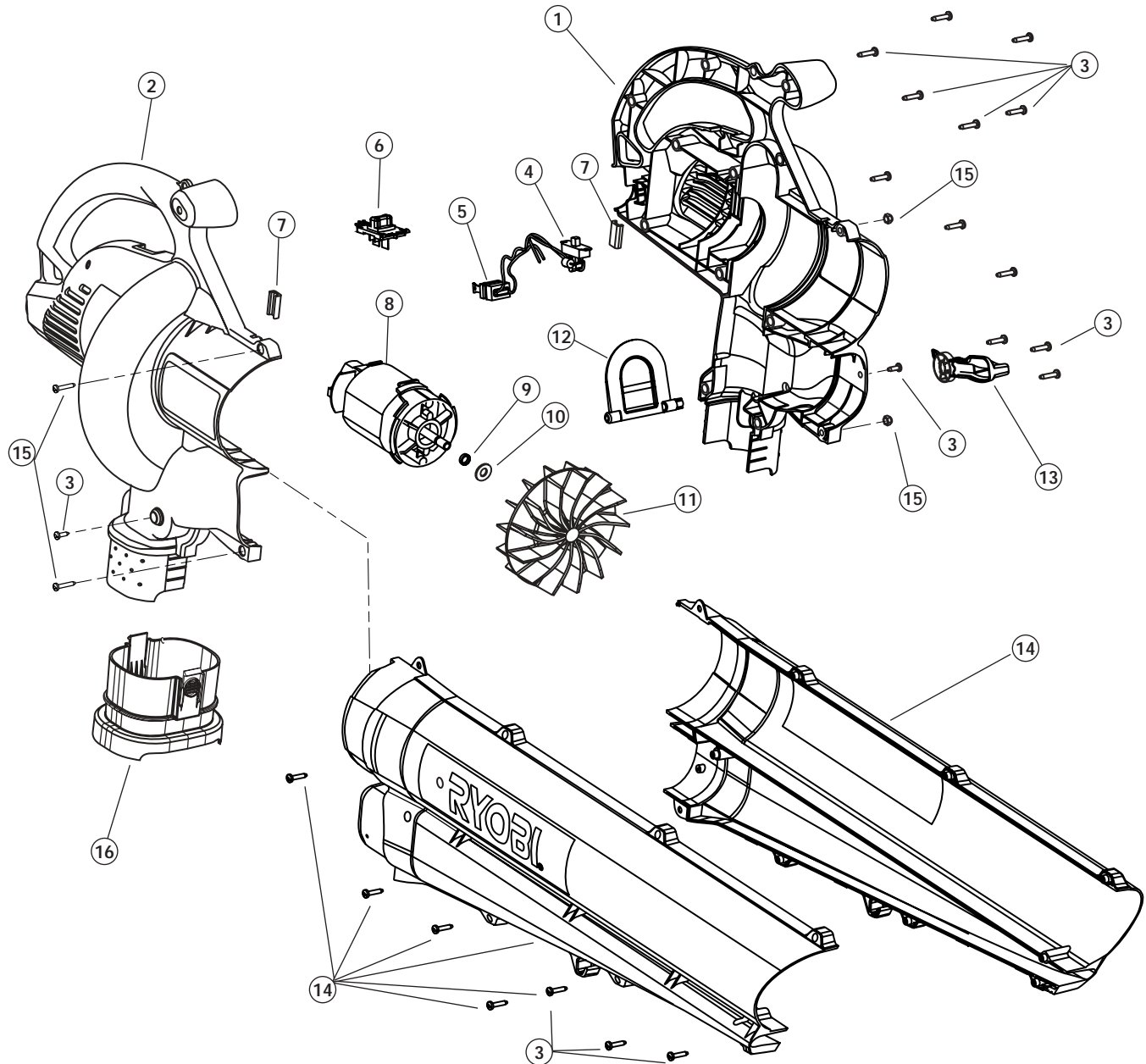
Si necesita asistencia adicional, comuníquese con su proveedor de servicio autorizado.

NOTAS

NOTAS

PARTS LIST

REPLACEMENT PARTS - MODEL RESV1300 120 VOLT ELECTRIC BLOWER/VAC



Item	Part No.	Description
1	791-182544	Left Motor Housing
2	791-182545	Right Motor Housing
3	791-181482	Housing Screw
4	791-182546	Switch Assembly
5	791-182547	Power Connection Wire Assembly
6	791-180509	Switch Lever
7	791-180503	Rubber Cushion
8	791-182548	Motor Assembly
9	791-182549	Spacer
10	791-180505	Washer
11	791-182550	Impeller

Item	Part No.	Description
12	791-182410	Mode Control Flapper
13	791-182411	Mode Control Lever (includes 3)
14	791-182415	Blower/Vac Tube Assembly (includes 3)
15	791-182425	Blower/Vac Tube Mounting Hardware
16	791-182417	Vacuum Bag Adapter
*	791-612930	Cable Tie
*	791-182416	Vacuum Bag Assembly (includes 16, Vacuum Bag & Cable Tie)
*	791-682075B	Shoulder Harness
*	791-182036	Carbon Brush Set
*		Items Not Shown

GARANTÍA LIMITADA DEL FABRICANTE PARA:

RYOBI®

A continuación MTD expone una garantía limitada MTD LLC ("MTD") en relación con su nueva mercadería adquirida y utilizada en los Estados Unidos, sus posesiones y territorios.

MTD garantiza su producto en cuanto a defectos en el material y mano de obra por un período de dos ("2") años, comenzando a partir de la fecha de la compra original y, según su criterio, reparará o reemplazará sin costo alguno, cualquier parte que se detecte defectuosa en cuanto al material o mano de obra. Esta garantía limitada sólo se aplicará si este producto se ha manejado y mantenido de acuerdo al Manual del usuario que se adjunta al producto, y si no se le ha sometido a un uso erróneo, abuso, utilización comercial, negligencia, accidente, mantenimiento inadecuado, alteración, vandalismo, hurto, fuego, agua o daño debido a otro peligro o desastre natural. Cualquier daño ocasionado por la instalación o uso de cualquier accesorio o aparato eléctrico que MTD no autorice para su utilización con el(los) producto(s) a que este manual se refiere, anulará su garantía respecto a cualquier daño consecutivo.

Esta garantía se extiende por noventa (90) días a partir de la fecha de la compra original al detalle de cualquier producto MTD que se emplea para arrendar o con propósitos comerciales, o cualquier otro propósito que produzca una ganancia.

CÓMO OBTENER SERVICIO: El servicio de garantía se encuentra disponible, CON COMPROBANTE DE COMPRA A TRAVÉS DEL REPRESENTANTE DE SERVICIO AUTORIZADO EN SU LOCALIDAD. Para ubicar al representante de su área, por favor, revise las Páginas Amarillas o comuníquese con el Departamento de Servicio al Cliente de MTD LLC llamando al 1-800-345-8746 o por correo a P.O. Box 361131, Cleveland OH 44136-0019; en Canadá llame al 1-800-668-1238. No se aceptará ningún producto devuelto directamente a la fábrica, a menos que previamente el Departamento de Servicio al Cliente de MTD LLC. haya extendido un permiso por escrito.

Esta garantía limitada no proporciona cobertura en los siguientes casos:

- A. Afinación, bujías, ajustes del carburador, filtros.
- B. Artículos desgastables, manijas de la defensa, carretes externos, conducto diluyente, bobina interna, polea de arranque, cables de arranque, banda de conducción.
- C. MTD no extiende garantía a productos vendidos o exportados fuera de Estados Unidos, sus posesiones y territorios, excepto aquellos vendidos a través de canales autorizados para la distribución de exportación de MTD.

MTD se reserva el derecho a cambiar o mejorar el diseño de cualquier Producto RYOBI® sin asumir cualquier obligación en cuanto a modificar cualquier producto previamente fabricado.

Ninguna garantía implícita, incluyendo cualquier garantía implícita de comercio o conveniencia para un propósito particular, se aplica después del período pertinente de la garantía explícita escrita que aparece anteriormente en cuanto a las partes como se identifican. Ninguna otra garantía o garante explícito, ya sea escrito u oral, excepto la que se menciona arriba, entregada por cualquier persona o entidad, incluyendo comerciante o detallista, en cuanto a cualquier producto comprometerá a MTD. Durante el período de garantía, los recursos exclusivos se refieren a reparar o reemplazar el producto como se expresa arriba. (Algunos estados no permiten restricciones en cuanto a la duración de una garantía implícita, por lo tanto la restricción anterior podría no aplicar a usted.)

Las estipulaciones expresadas en esta garantía proporcionan el único y exclusivo recurso que se presenta a partir de las ventas. MTD no será responsable por pérdidas o daños incidentales o consecuentes incluyendo, sin restricción, gastos incurridos por sustitución o reemplazo de servicios de cuidado de césped, por transporte o por gastos relacionados, o por gastos de arriendo para reemplazar temporalmente un producto garantizado. (Algunos estados no permiten restricciones en cuanto a la duración de la garantía implícita, por lo tanto las restricciones anteriores podrían no aplicar a usted.)

En ningún caso cualquier recuperación será mayor que la cantidad del precio de compra del producto vendido. La alteración de las características de seguridad del producto invalidará esta garantía. Usted asume el riesgo y responsabilidad en caso de pérdida, daño, o perjuicio a usted y a su propiedad, y/o a otros y su propiedad que surja a partir del uso erróneo o incapacidad para utilizar el producto.

Esta garantía limitada se extenderá tan sólo al comprador original, arrendatario original o aquella persona que lo recibió como regalo.

Cómo las leyes estatales se relacionan con esta garantía: esta garantía le proporciona derechos legales específicos, y usted podría contar con otros derechos los cuales varían de acuerdo al estado en que se encuentre.

Para ubicar a su representante más cercano llame al 1-800-345-8746 en Estados Unidos o 1-800-668-1238 en Canadá.

MTD LLC

P.O. Box 361131

Cleveland, OH 44136-0019

**GUARDE ESTAS INSTRUCCIONES PARA USARLAS COMO REFERENCIA EN EL FUTURO.
PARA FORMULAR PREGUNTAS, LLAME AL 1-800-345-8746 EN LOS EE.UU.
O AL 1-800-668-1238 EN CANADA**

**MANUAL DEL OPERADOR, No. de catálogo 769-00127A
IMPRESO EN LOS EE.UU.**

4/03

Free Manuals Download Website

<http://myh66.com>

<http://usermanuals.us>

<http://www.somanuals.com>

<http://www.4manuals.cc>

<http://www.manual-lib.com>

<http://www.404manual.com>

<http://www.luxmanual.com>

<http://aubethermostatmanual.com>

Golf course search by state

<http://golfingnear.com>

Email search by domain

<http://emailbydomain.com>

Auto manuals search

<http://auto.somanuals.com>

TV manuals search

<http://tv.somanuals.com>