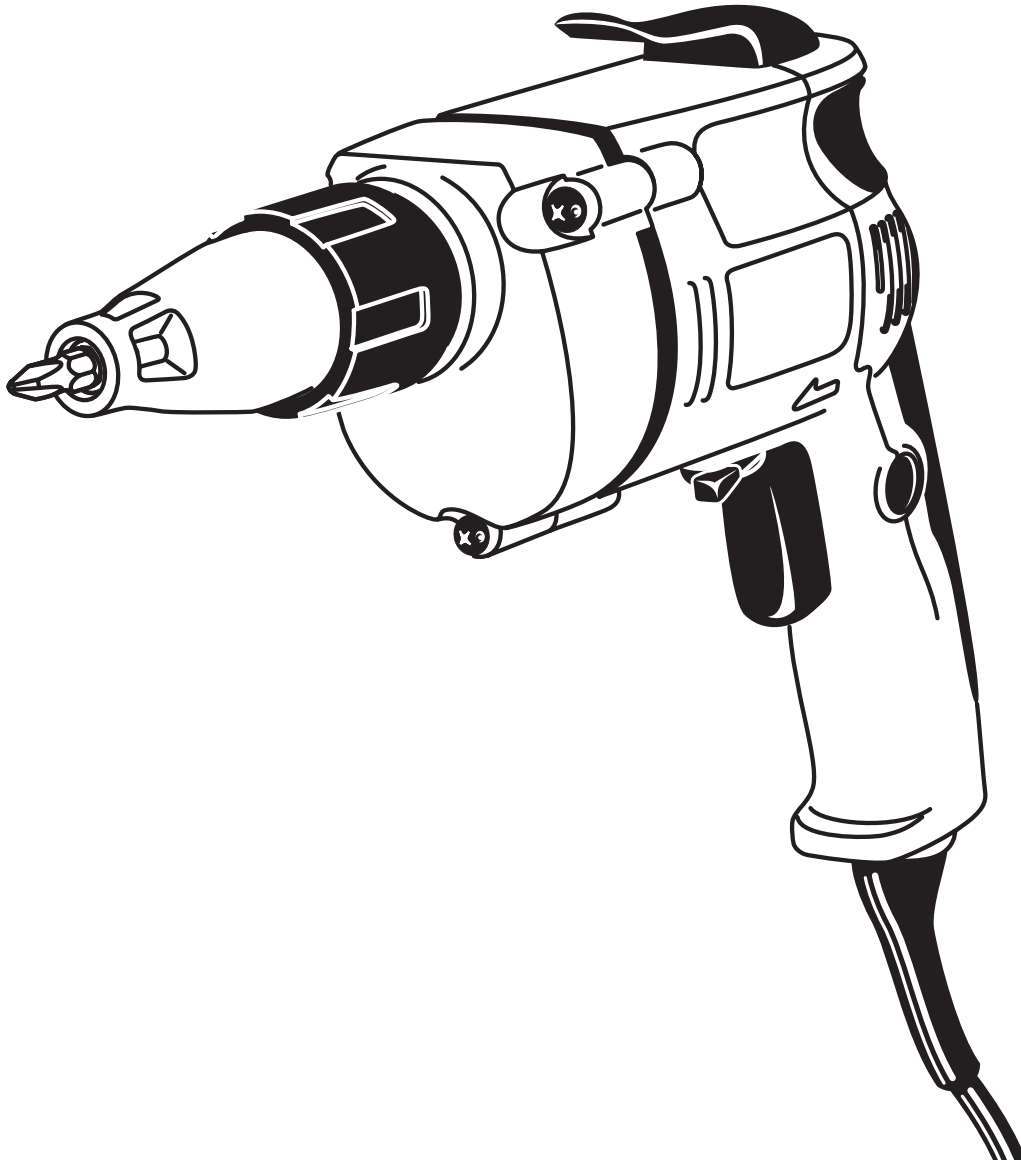


# RYOBI®

## OPERATOR'S MANUAL Drywall Screwdriver Model No. DSG50 DOUBLE INSULATED



### THANK YOU FOR BUYING A RYOBI DRYWALL SCREWDRIVER.

Your new screwdriver has been engineered and manufactured to Ryobi's high standard for dependability, ease of operation, and operator safety. Properly cared for, it will give you years of rugged, trouble-free performance.



**CAUTION:** Carefully read through this entire operator's manual before using your new screwdriver.

Pay close attention to the Rules for Safe Operation, Warnings, and Cautions. If you use your screwdriver properly and only for what it is intended, you will enjoy years of safe, reliable service.

Thank you again for buying Ryobi tools.

**SAVE THIS MANUAL FOR FUTURE REFERENCE**

# TABLE OF CONTENTS

|                                  |      |
|----------------------------------|------|
| ■ Introduction .....             | 2    |
| ■ General Safety Rules .....     | 3-4  |
| ■ Specific Safety Rules .....    | 4    |
| ■ Symbols .....                  | 5-6  |
| ■ Features .....                 | 7    |
| ■ Product Specifications .....   | 8    |
| ■ Operation .....                | 8-10 |
| ■ Maintenance .....              | 11   |
| ■ Parts Ordering / Service ..... | 12   |

## INTRODUCTION

### DOUBLE INSULATION

Your Ryobi power tool is double insulated. This means you are separated from the tool's electrical system by two complete sets of electrical insulation. This extra layer of insulation is intended to protect the user from electrical shock due to a break in the wiring insulation. All exposed metal parts are isolated from the internal metal motor components with protecting insulation. Double insulated tools do not need to be grounded.

#### **WARNING:**

The double insulated system is intended to protect the user from shock resulting from a break in the tool's internal wiring. Observe all normal safety precautions related to avoiding electrical shock.

### IMPORTANT

Servicing of a tool with double insulation requires extreme care and knowledge of the system and should be performed only by a qualified service technician. For service we suggest you return the tool to your nearest **RYOBI AUTHORIZED SERVICE CENTER** for repair. When servicing use only identical Ryobi replacement parts.

#### **WARNING:**

Do not attempt to operate this tool until you have read thoroughly and understand completely all instructions, safety rules, etc. contained in this manual. Failure to comply can result in accidents involving fire, electric shock, or serious personal injury. Save operator's manual and review frequently for continuing safe operation, and instructing others who may use this tool.



**Look for this symbol to point out important safety precautions. It means attention!!! Your safety is involved.**

#### **WARNING:**



The operation of any power tool can result in foreign objects being thrown into your eyes, which can result in severe eye damage. Before beginning tool operation, always wear safety goggles or safety glasses with side shields and a full face shield when needed. We recommend Wide Vision Safety Mask for use over eyeglasses or standard safety glasses with side shields. Always wear eye protection which is marked to comply with ANSI Z87.1.

# GENERAL SAFETY RULES



## WARNING:


Read and understand all instructions. Failure to follow all instructions listed below, may result in electric shock, fire and/or serious personal injury.

## SAVE THESE INSTRUCTIONS

### Work Area

- **Keep your work area clean and well lit.** Cluttered benches and dark areas invite accidents.
- **Do not operate power tools in explosive atmospheres, such as in the presence of flammable liquids, gases, or dust.** Power tools may create sparks which may ignite the dust or fumes.
- **Keep bystanders, children, and visitors away while operating a power tool.** Distractions can cause you to lose control.

### Electrical Safety

- **Double insulated tools are equipped with a polarized plug (one blade is wider than the other).** This plug will fit in a polarized outlet only one way. If the plug does not fit fully in the outlet, reverse the plug. If it still does not fit, contact a qualified electrician to install a polarized outlet. **Do not change the plug in any way.** Double insulation  eliminates the need for the three-wire grounded power cord and grounded power supply system.
- **Avoid body contact with grounded surfaces, such as pipes, radiators, ranges, and refrigerators.** There is an increased risk of electric shock if your body is grounded.
- **Don't expose power tools to rain or wet conditions.** Water entering a power tool will increase the risk of electric shock.
- **Do not abuse the cord. Never use the cord to carry the tools or pull the plug from an outlet. Keep cord away from heat, oil, sharp edges, or moving parts. Replace damaged cords immediately.** Damaged cords increase the risk of electric shock.
- **When operating a power tool outside, use an outdoor extension cord marked "W-A" or "W".** These cords are rated for outdoor use and reduce the risk of electric shock.

### Personal Safety

- **Stay alert, watch what you are doing and use common sense when operating a power tool. Do not use tool while tired or under the influence of drugs, alcohol, or medication.** A moment of inattention while operating power tools may result in serious personal injury.

- **Dress properly. Do not wear loose clothing or jewelry. Contain long hair. Keep your hair, clothing, and gloves away from moving parts.** Loose clothes, jewelry, or long hair can be caught in moving parts.
- **Avoid accidental starting. Be sure switch is off before plugging in.** Carrying tools with your finger on the switch or plugging in tools that have the switch on, invites accidents.
- **Remove adjusting keys or wrenches before turning the tool on.** A wrench or a key that is left attached to a rotating part of the tool may result in personal injury.
- **Do not overreach. Keep proper footing and balance at all times.** Proper footing and balance enables better control of the tool in unexpected situations. Do not use on a ladder or unstable support.
- **Use safety equipment. Always wear eye protection.** Dust mask, nonskid safety shoes, hard hat, or hearing protection must be used for appropriate conditions.

### Tool Use and Care

- **Use clamps or other practical way to secure and support the workpiece to a stable platform.** Holding the work by hand or against your body is unstable and may lead to loss of control.
- **Do not force tool. Use the correct tool for your application.** The correct tool will do the job better and safer at the rate for which it is designed.
- **Do not use tool if switch does not turn it on or off.** Any tool that cannot be controlled with the switch is dangerous and must be repaired.
- **Disconnect the plug from power source before making any adjustments, changing accessories, or storing the tool.** Such preventive safety measures reduce the risk of starting the tool accidentally.
- **Store idle tools out of the reach of children and other untrained persons.** Tools are dangerous in the hands of untrained users.
- **Maintain tools with care. Keep cutting tools sharp and clean.** Properly maintained tools with sharp cutting edges are less likely to bind and are easier to control.
- **Check for misalignment or binding of moving parts, breakage of parts, and any other condition that may affect the tool's operation. If damaged, have the tool serviced before using.** Many accidents are caused by poorly maintained tools.
- **Use only accessories that are recommended by the manufacturer for your model.** Accessories that may be suitable for one tool, may become hazardous when used on another tool.

# GENERAL SAFETY RULES

## Service

- **Tool service must be performed only by qualified repair personnel.** Service or maintenance performed by unqualified personnel could result in a risk of injury.
- **When servicing a tool, use only identical replacement parts. Follow instructions in the Maintenance section of this manual.** Use of unauthorized parts or failure to follow Maintenance Instructions may create a risk of electric shock or injury.

# SPECIFIC SAFETY RULES

**Hold tool by insulated gripping surfaces when performing an operation where the cutting tool may contact hidden wiring or its cord.** Contact with a “live” wire will make exposed metal parts of the tool “live” and shock the operator.

## Additional Rules For Safe Operation

- **Know your power tool. Read operator’s manual carefully. Learn its applications and limitations, as well as the specific potential hazards related to this tool.** Following this rule will reduce the risk of electric shock, fire, or serious injury.
- **Always wear safety glasses. Everyday eyeglasses have only impact-resistant lenses; they are NOT safety glasses.** Following this rule will reduce the risk of serious personal injury.
- **Protect your lungs. Wear a face or dust mask if the operation is dusty.** Following this rule will reduce the risk of serious personal injury.
- **Protect your hearing. Wear hearing protection during extended periods of operation.** Following this rule will reduce the risk of serious personal injury.
- **Inspect tool cords periodically and, if damaged, have repaired at your nearest Factory Service Center or other Authorized Service Organization. Constantly stay aware of cord location.** Following this rule will reduce the risk of electric shock or fire.
- **Check damaged parts. Before further use of the tool, a guard or other part that is damaged should be carefully checked to determine that it will operate properly and perform its intended function. Check for alignment of moving parts, binding of moving parts, breakage of parts, mounting, and any other conditions that may affect its operation. A guard or other part that is damaged should be properly repaired or replaced by an authorized service center.** Following this rule will reduce the risk of shock, fire, or serious injury.
- **Do not abuse cord. Never carry the tool by the cord or yank it to disconnect it from the receptacle. Keep cord away from heat, oil, and sharp edges.** Following this rule will reduce the risk of electric shock or fire.
- **Make sure your extension cord is in good condition. When using an extension cord, be sure to use one heavy enough to carry the current your product will draw. A wire gage size (A.W.G.) of at least 16 is recommended for an extension cord 100 feet or less in length. A cord exceeding 100 feet is not recommended. If in doubt, use the next heavier gage. The smaller the gage number, the heavier the cord.** An undersized cord will cause a drop in line voltage resulting in loss of power and overheating.
- **Inspect for and remove all nails from lumber before driving screws.** Following this rule will reduce the risk of serious personal injury.
- **Drugs, alcohol, medication. Do not operate tool while under the influence of drugs, alcohol, or any medication.** Following this rule will reduce the risk of electric shock, fire, or serious personal injury.
- **Save these instructions. Refer to them frequently and use them to instruct others who may use this tool. If you loan someone this tool, loan them these instructions also.**

### **WARNING:**



Some dust created by power sanding, sawing, grinding, drilling, and other construction activities contains chemicals known to cause cancer, birth defects or other reproductive harm. Some examples of these chemicals are:

- lead from lead-based paints,
- crystalline silica from bricks and cement and other masonry products, and
- arsenic and chromium from chemically-treated lumber.

Your risk from these exposures varies, depending on how often you do this type of work. To reduce your exposure to these chemicals: work in a well ventilated area, and work with approved safety equipment, such as those dust masks that are specially designed to filter out microscopic particles.

# SYMBOLS

**Important:** Some of the following symbols may be used on your tool. Please study them and learn their meaning. Proper interpretation of these symbols will allow you to operate the tool better and safer.

| SYMBOL  | NAME                                    | DESIGNATION/EXPLANATION  |
|---|---|--|
| V   | Volts                                   | Voltage  |
| A   | Amperes                                 | Current  |
| Hz  | Hertz                                   | Frequency (cycles per second)  |
| W   | Watt                                    | Power  |
| min   | Minutes                                 | Time   |
| ~   | Alternating Current                     | Type or a characteristic of current  |
| $n_0$   | No Load Speed                           | Rotational speed, at no load   |
|    | Class II Construction                   | Designates Double Insulated Construction tools                                       |
| .../min   | Revolutions or Reciprocation Per Minute | Revolutions, strokes, surface speed, orbits etc. per minute                          |
|  | Safety Alert Symbol                     | Indicates danger, warning or caution. It means attention!!! Your safety is involved. |

The purpose of safety symbols is to attract your attention to possible dangers. The safety symbols, and the explanations with them, deserve your careful attention and understanding. The safety warnings do not by themselves eliminate any danger. The instructions or warnings they give are not substitutes for proper accident prevention measures.

## SYMBOL MEANING



### SAFETY ALERT SYMBOL:

Indicates danger, warning, or caution. May be used in conjunction with other symbols or pictographs.



**DANGER:** Failure to obey a safety warning will result in serious injury to yourself or to others. Always follow the safety precautions to reduce the risk of fire, electric shock and personal injury.



**WARNING:** Failure to obey a safety warning can result in serious injury to yourself or to others. Always follow the safety precautions to reduce the risk of fire, electric shock and personal injury.



**CAUTION:** Failure to obey a safety warning may result in property damage or personal injury to yourself or to others. Always follow the safety precautions to reduce the risk of fire, electric shock and personal injury.

**NOTE:** Advises you of information or instructions vital to the operation or maintenance of the equipment.

# SYMBOLS

## SAFETY AND INTERNATIONAL SYMBOLS

This operator's manual describes safety and international symbols and pictographs that may appear on this product. Read the operator's manual for complete safety, assembly, operating and maintenance, and repair information.

**SYMBOL**



**MEANING**

Do not expose to rain or use in damp locations.

## SAVE THESE INSTRUCTIONS

# FEATURES

## **⚠ WARNING:**

Carefully read through this entire operator's manual before using your new screwdriver. Pay close attention to the Safety Rules, Warnings and Cautions. If you use your screwdriver properly and only for what it is intended, you will enjoy years of safe, reliable service.

## **KNOW YOUR DRYWALL SCREWDRIVER**

See Figure 1.

Before attempting to operate your screwdriver, familiarize yourself with all operating features and safety requirements.

## **⚠ WARNING:**

If any parts are missing, do not operate your screwdriver until the missing parts are replaced. Failure to do so could result in possible serious personal injury.

## **SWITCH**

To turn your screwdriver **ON**, depress the switch trigger. Release switch trigger to turn your screwdriver **OFF**.

## **FORWARD/REVERSE LEVER**

Your screwdriver has a forward/reverse lever located above switch trigger for changing direction of bit rotation.

## **VARIABLE SPEED**

This tool has a variable speed switch that delivers higher speed with increased trigger pressure. Speed is controlled by the amount of switch trigger depression.

## **BELT CLIP**

A convenient feature provided on your screwdriver is a belt clip. It is molded on top of the motor housing of your screwdriver.

## **MAGNETIC BIT HOLDER**

Your screwdriver has a magnetic bit holder. The magnet holds screwdriver bit and screws until ready to drive into drywall.

## **ADJUSTABLE NOSEPIECE**

Your screwdriver has an adjustable nosepiece for varying screw depth. It can also be removed for easy bit changes.

## **ELECTRICAL CONNECTION**

Your screwdriver has a precision built electric motor. It should be connected to a **power supply that is 120 volts, 60 Hz, AC only (normal household current)**. Do not operate this tool on direct current (DC). A substantial voltage drop will cause a loss of power and the motor will overheat. If your screwdriver does not operate when plugged into an outlet, double-check the power supply.

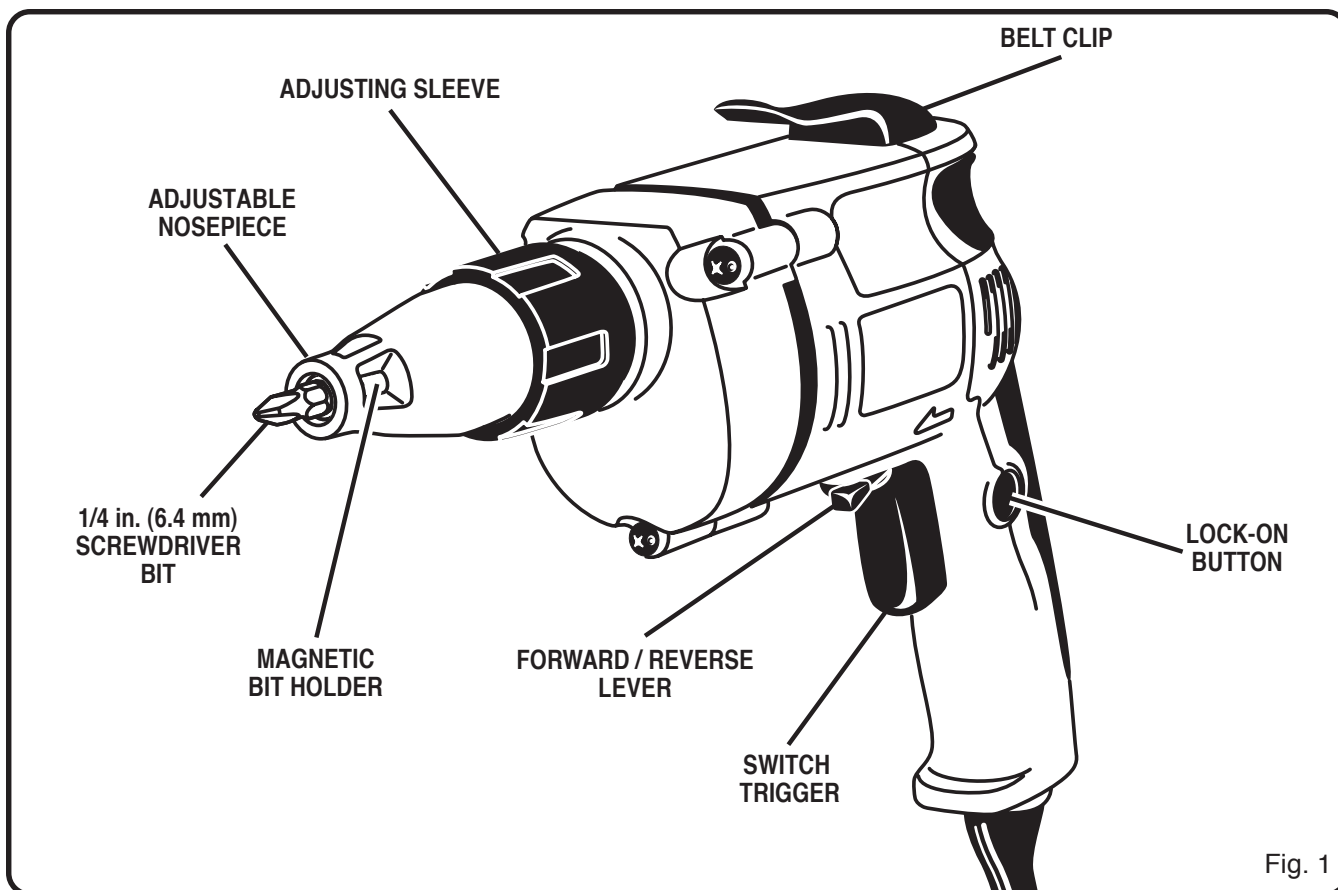


Fig. 1

# PRODUCT SPECIFICATIONS

## DRYWALL SCREWDRIVER

DSG50

|                |                       |
|----------------|-----------------------|
| Bit Shank Size | 1/4 in. (6.4 mm) hex  |
| Rating         | 120 V, 60 Hz, AC only |
| Input          | 5.4 Amperes           |
| Switch         | Variable Speed        |
| No Load Speed  | 0-4,000 RPM           |
| Overall Length | 10.5 in. (267 mm)     |
| Net Weight     | 3.5 lbs. (1.6 kg.)    |

## APPLICATIONS

(Use only for the purpose listed below)

- Driving screws in drywall.
- Driving screws in wood.

## SCREW CAPACITIES:

This screwdriver has been designed for driving all commercially available drywall screws.

# OPERATION

## ⚠ WARNING:

Do not allow familiarity with your screwdriver to make you careless. Remember that a careless fraction of a second is sufficient to inflict severe injury.

## SWITCH

See Figure 2.

To turn your screwdriver **ON**, depress the switch trigger. Release switch trigger to turn your screwdriver **OFF**.

## LOCK-ON BUTTON

See Figure 2.

Your screwdriver is equipped with a lock-on feature which is convenient when continuous driving of screws for extended periods of time is required. To lock-on, depress the switch trigger, push in and hold the lock-on button located on the side of the handle, then release switch trigger. Release lock-on button and your screwdriver will continue running.

To release the lock, depress the switch trigger and release.

If you have the lock-on feature engaged during use and your screwdriver becomes disconnected from power supply, disengage the lock-on feature immediately.

## VARIABLE SPEED

See Figure 2.

Your screwdriver has a variable speed switch designed to allow operator control of speed and torque limits. The speed and torque of your screwdriver can be increased by depressing the switch trigger.

**Note:** Depress switch trigger all the way for maximum speed and torque of your screwdriver. Depress switch trigger only part of the way for less speed and torque.

Avoid running your screwdriver at low speeds for extended periods of time. Running at low speeds under constant usage may cause your screwdriver to become overheated. If this occurs, cool your screwdriver by running it without a load and at full speed.

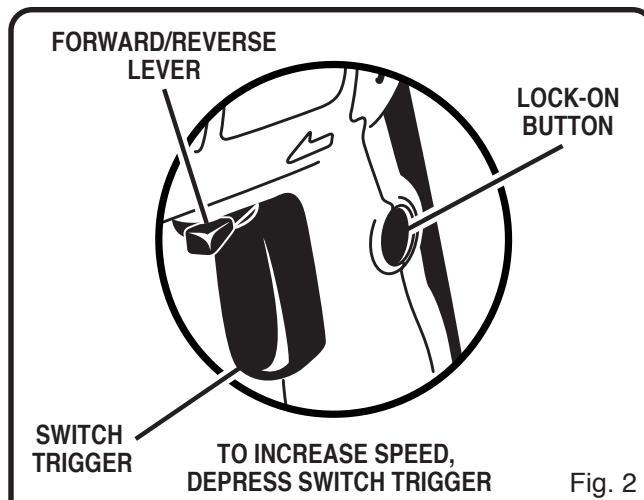
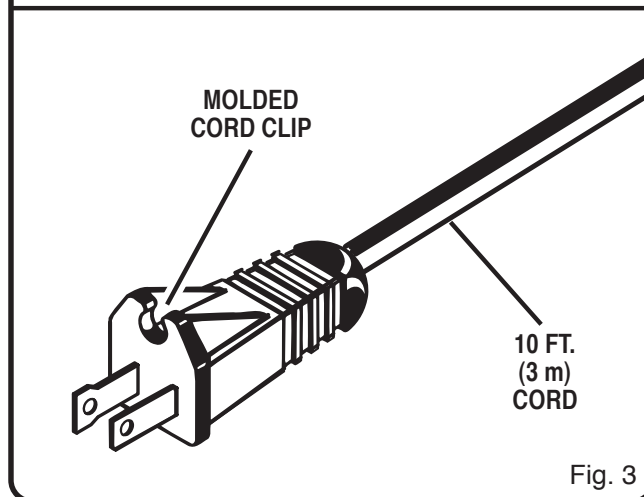


Fig. 2



## POWER CORD

See Figure 3.

Your new screwdriver has a 10 ft. (3 m) power cord that stays soft and flexible in cold weather. The plug design is shaped so that it won't snag on your work during use. A molded cord clip on the plug makes cord storage easier.



# OPERATION

## REVERSIBLE

See Figure 4.

This tool has the feature of being reversible. The direction of rotation is controlled by a lever located above the switch trigger. With your screwdriver held in normal operating position, the direction of rotation lever should be positioned to the left of the switch for forward driving operation. The direction of rotation is in reverse when the lever is to the right of the switch.

The design of the switch will not permit changing the direction of rotation while the screwdriver is running. Release the switch trigger and allow the screwdriver to stop before changing its direction.

**Note:** Your screwdriver will not run unless forward/reverse lever is pushed fully to the left or right.

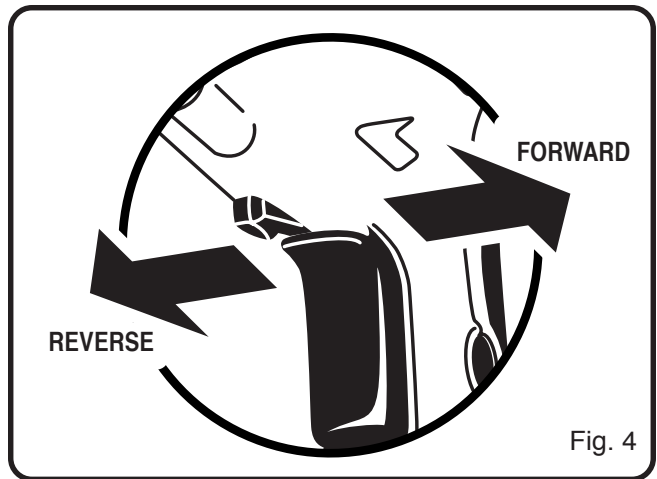


Fig. 4

## INSTALLING/REPLACING BIT HOLDER AND BITS

See Figure 5.

- Unplug your screwdriver.

### **WARNING:**

Failure to unplug your screwdriver could result in accidental starting causing serious injury.

### **WARNING:**

Your screwdriver should never be connected to a power supply when you are assembling parts, making adjustments, installing or removing bits, cleaning, or when not in use. Disconnecting your screwdriver will prevent accidental starting that could cause serious personal injury.

### TO INSTALL OR REPLACE BITS:

- Install 1/4 in. (6.4 mm) screwdriver bits by inserting them into magnetic bit holder.

**Note:** It is not necessary to remove adjustable nosepiece to install or remove bits. The magnetic bit holder shown in figure 5 illustrates the location of bit holder inside nosepiece.

- Replace 1/4 in. (6.4 mm) screwdriver bits by pulling them out of magnetic bit holder.

### TO REMOVE MAGNETIC BIT HOLDER:

- Pull adjusting sleeve. The adjusting sleeve and adjustable nosepiece come off gear casing as a set.
- Remove magnetic bit holder. Pull bit holder out with pliers if you cannot remove it by hand.

### TO REASSEMBLE BIT HOLDER AND NOSEPIECE:

- Push bit holder into hex opening of spindle until ball lock snaps in groove in bit holder shank.
- Attach adjustable nosepiece to the gear case. Align raised tab inside the adjustable nosepiece with the groove on the gear case and push the nosepiece as far as it will go.

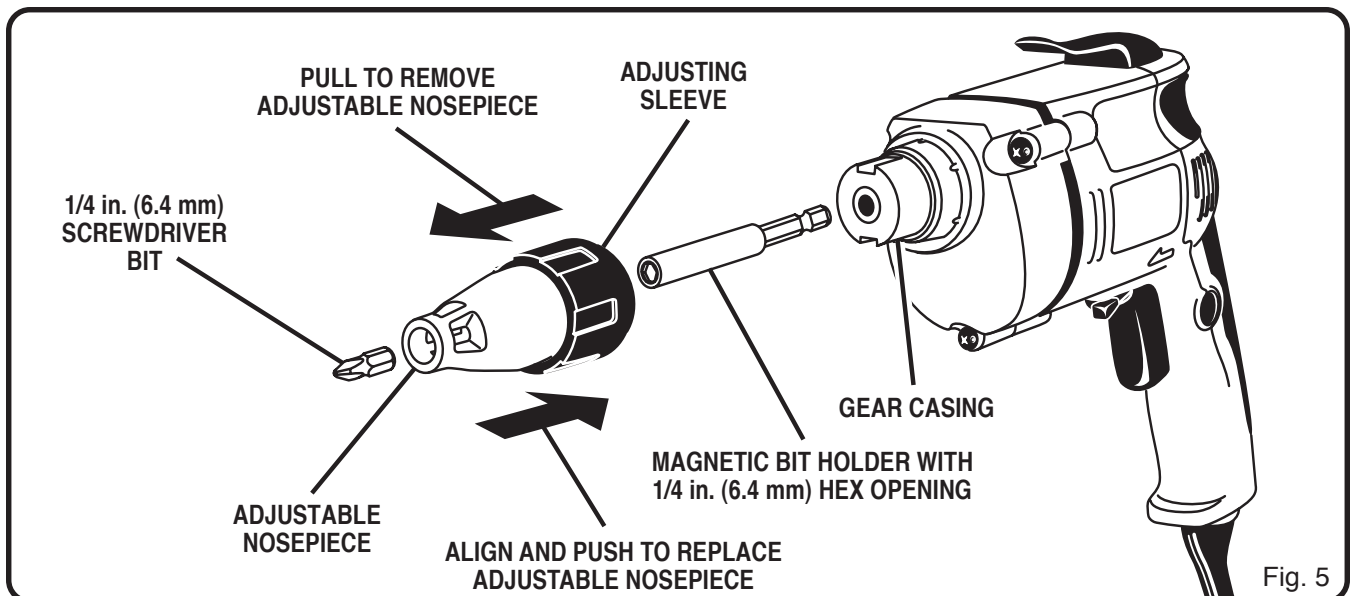


Fig. 5

# OPERATION

## SETTING DEPTH

See Figure 6.

The adjustable nosepiece of your tool will automatically drive screws to preset depths. Make preset depth adjustments as follows:

- Unplug your screwdriver.

### **WARNING:**

Failure to unplug your screwdriver could result in accidental starting causing serious injury.

- Rotate adjusting sleeve until you obtain the desired depth for bit holder or screwdriver bit.
- Test drive a screw in scrap material to determine if it is correct.
- Adjust as necessary to increase or decrease the desired depth.

### **WARNING:**

Always wear safety goggles or safety glasses with side shields when operating your screwdriver. Failure to do so could result in dust, shavings, loose particles or foreign objects being thrown into your eyes, causing possible serious injury.

## DRIVING SCREWS

See Figures 7 and 8.

- Depress and release the switch trigger to be sure your screwdriver is in **OFF** position before connecting it to power supply.
- Check the direction of rotation lever for correct setting (forward or reverse). See Figure 4.
- Secure the workpiece. Use clamps if necessary.
- Plug your screwdriver into power supply source.
- Depress the switch trigger to start your screwdriver. Do not lock the switch **ON** for jobs where your screwdriver may need to be stopped suddenly.
- Hold your screwdriver firmly and place the bit and screw at the point to be driven.

**Note:** The bit holder is magnetized and will hold most commercial drywall screws.

- Apply quick, snap action type pressure to the screwdriver bit. The pressure being applied to the screwdriver bit will engage the clutch and drive the screw. See Figures 7 and 8.

You will learn from practice and experience. We suggest that you begin each new job by driving several test screws in scrap material to check depth setting.

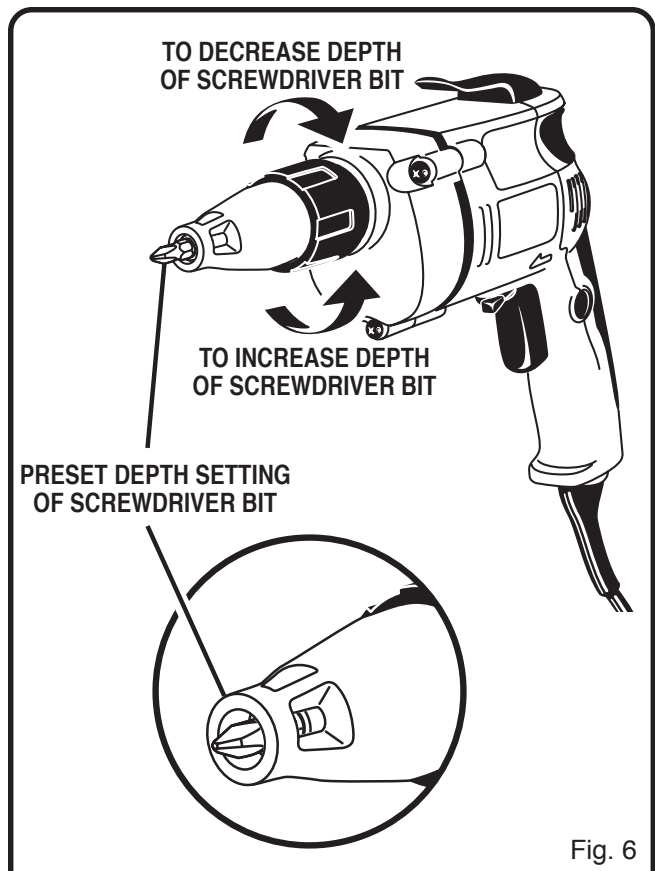
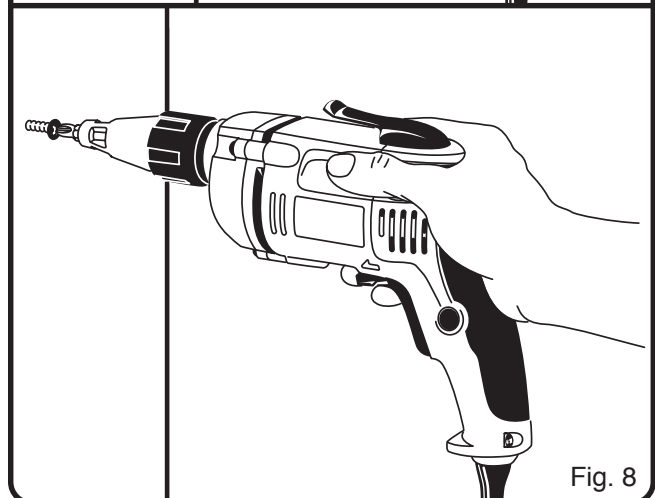
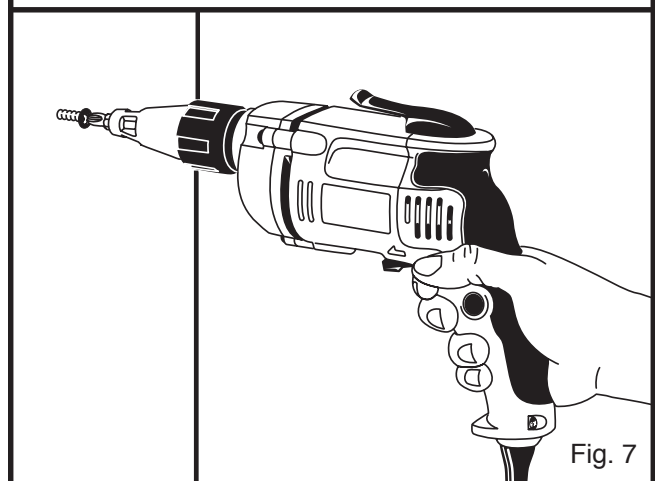


Fig. 6



# MAINTENANCE



## WARNING:

When servicing use only identical Ryobi replacement parts. Use of any other parts may create a hazard or cause product damage.

## GENERAL

All parts represent an important part of the double insulation system and should be serviced only at an authorized service center.

Avoid using solvents when cleaning plastic parts. Most plastics are susceptible to damage from various types of commercial solvents and may be damaged by their use. Use clean cloths to remove dirt, carbon dust, etc.



## WARNING:

Do not at any time let brake fluids, gasoline, petroleum-based products, penetrating oils, etc. come in contact with plastic parts. They contain chemicals that can damage, weaken or destroy plastic.

It has been found that electric tools are subject to accelerated wear and possible premature failure when they are used on fiberglass boats, sports cars, wallboard, spackling compounds, or plaster. The chips and grindings from these materials are highly abrasive to electric tool parts, such as bearings, brushes, commutators, etc. When using this tool on these type materials for extended periods of time, it is extremely important that the tool is cleaned frequently by blowing with an air jet.



## WARNING:

Always wear safety goggles or safety glasses with side shields during power tool operation or when blowing dust. If operation is dusty, also wear a dust mask.

## EXTENSION CORDS

The use of any extension cord will cause some loss of power. To keep the loss to a minimum and to prevent tool overheating, use an extension cord that is heavy enough to carry the current the tool will draw.

A wire gage size (A.W.G.) of at least **16** is recommended for an extension cord 100 feet or less in length. When working outdoors, use an extension cord that is suitable for outdoor use. The cord's jacket will be marked **WA**.



## WARNING:

Check extension cords before each use. If damaged replace immediately. Never use tool with a damaged cord since touching the damaged area could cause electrical shock resulting in serious injury.

Extension cords suitable for use with your screwdriver are available at your nearest authorized service center.

## LUBRICATION

All of the bearings in this tool are lubricated with a sufficient amount of high-grade lubricant for the life of the unit under normal operating conditions. Therefore, no further lubrication is required.



# OPERATOR'S MANUAL

## Drywall Screwdriver

### Model No. DSG50

#### DOUBLE INSULATED

- **SERVICE**

Now that you have purchased your tool, should a need ever exist for repair parts or service, simply contact your nearest Ryobi Authorized Service Center. Be sure to provide all pertinent facts when you call or visit. Please call 1-800-525-2579 in the United States for your nearest Ryobi Authorized Service Center. You can also check our website at [www.ryobitools.com](http://www.ryobitools.com) for a complete list of Authorized Service Centers.

- **MODEL NO. AND SERIAL NO.**

The model number of this tool will be found on a plate attached to the motor housing. Please record the serial number in the space provided below.

- **HOW TO ORDER REPAIR PARTS**

WHEN ORDERING REPAIR PARTS,  
ALWAYS GIVE THE FOLLOWING INFORMATION:

- MODEL NUMBER DSG50
- SERIAL NUMBER \_\_\_\_\_

#### **RYOBI TECHNOLOGIES, INC.**

1428 Pearman Dairy Road Anderson SC 29625  
Post Office Box 1207 Anderson SC 29622-1207  
Phone 1-800-525-2579  
[www.ryobitools.com](http://www.ryobitools.com)

## Free Manuals Download Website

<http://myh66.com>

<http://usermanuals.us>

<http://www.somanuals.com>

<http://www.4manuals.cc>

<http://www.manual-lib.com>

<http://www.404manual.com>

<http://www.luxmanual.com>

<http://aubethermostatmanual.com>

Golf course search by state

<http://golfingnear.com>

Email search by domain

<http://emailbydomain.com>

Auto manuals search

<http://auto.somanuals.com>

TV manuals search

<http://tv.somanuals.com>