

salton®

coffee & spice grinder



Instruction Booklet

Model: CG-1174

IMPORTANT SAFEGUARDS

When using electrical appliances, basic safety precautions should always be followed including the following:

1. Read all instructions carefully before use.
2. To protect against electrical hazards, do not immerse cord, plug or appliance in water or any other liquid or place in the dishwasher.
3. Close supervision is necessary when any appliance is used by or near children.
4. Unplug from outlet when not in use, when removing or putting on parts and before cleaning.
5. DO NOT operate any appliance with a damaged cord or plug or after the appliance has been damaged in any manner. Return appliance to Salton for examination.
6. The use of accessories or attachments not recommended by Salton may cause hazards.
7. DO NOT use outdoors.
8. DO NOT let cord hang over edge of table or counter, or touch hot surfaces.
9. Do not use appliance for other than intended use.
10. Do not place on or near a hot gas or electric burner or in a heated oven.
11. Always attach plug to appliance first, then plug cord into the wall outlet. To disconnect, turn any control to 'OFF', then remove plug from the wall outlet.
12. To avoid overheating the motor, do not use the Grinder continuously for more than 30 seconds.
13. Avoid contacting moving parts.
14. Before using, ensure there are no foreign objects in the Grinder.

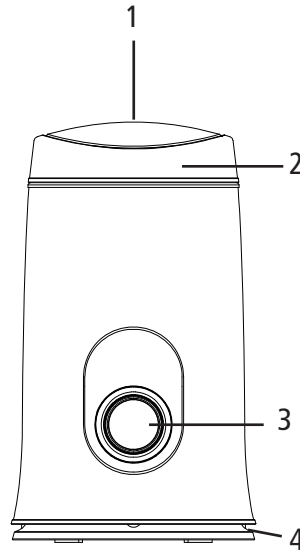
SAVE THESE INSTRUCTIONS
HOUSEHOLD USE ONLY

POLARIZED PLUG

This appliance has a polarized plug (one blade is wider than the other). To reduce the risk of electric shock, this plug will fit in a polarized outlet only one way. If the plug does not fit fully in the outlet, reverse the plug. If it still does not fit, contact a qualified electrician. Do not modify the plug in any way.

DESCRIPTION OF PARTS

1. Lid
2. Grinding Chamber
3. On/Off Control Button
4. Cord Wrap



BEFORE FIRST USE

Using a soft cloth, dampened in warm soapy water, wipe the Cover, Grinding Chamber and outside of the Grinder to remove any oils left over from the manufacturing process. Rinse by wiping with a clean wet cloth. Dry.

IMPORTANT: Be careful when wiping out the Grinding Chamber, the blade is sharp.

HOW TO USE

1. Remove Lid, make sure the Grinder is empty and clean.
2. Place coffee beans or spices (not to exceed 50 grams, 1.8 oz.), into the Grinding Chamber.
3. Place the Lid on the Grinder so that the tabs on the Lid line up with the grooves in the Base. Turn the Lid clockwise.
4. Plug in the Grinder.
5. Hold the Grinder with one hand and press the 'On/Off' Control Button with the other hand. **NOTE:** The Grinder will not work if the Lid is not in the Lock position. When you release the 'On/Off' Control Button, the Grinder will automatically stop.
6. When the desired grind is obtained release the 'On/Off' Control Button. **DO NOT REMOVE THE LID UNTIL THE BLADE COMES TO A COMPLETE STOP.** You may wish to grind in short intervals, then check to see if more grinding is necessary. If so, simply repeat the above steps, up to 30 seconds at a time.
NOTE: The Grinder should not be run for longer than 30 seconds at a time and then should be allowed to rest for 1 minute.
7. When the Blades have stopped, unplug the Grinder, remove the Lid and the contents from the Grinding Chamber.

Coffee Beans

The Grinder will grind up to 50 grams (1.8 oz) of coffee beans at a time. This is enough for approximately 10 cups of coffee.

Experimenting with the Grinder will enable you to get exactly the grind you prefer for your coffee. A fine grind exposes more surface to the water and therefore a more rapid rate of extraction of flavour. A coarser grind, which exposes little surface, is appropriate for the longer brewing cycle of percolators. Check your coffee maker instructions for the type of grind that is best.

For the freshest, most robust cup of coffee, grind only enough coffee for the pot you are making. If you are making a large pot, you may need to grind in two batches. Coffee beans will keep up to 2 months in the freezer (in an airtight container) and can be ground while still frozen. Fresh beans will yield the best flavour and aroma.

Spices

Herbs and spices take on a fresh, more flavourful taste when freshly ground. Dried herbs can be combined and ground for a few seconds giving them more flavour. Peppercorns, when freshly ground, taste totally different from canned pre-ground pepper. Spices such as allspice, cardamom, celery seed, mustard seed & coriander seed grind very well.

Not Recommended

The Grinder will grind most dry or brittle substances. It WILL NOT grind anything which is moist, gummy or extremely hard (chocolate, nuts, whole nutmeg, candied ginger, etc.). It will not make pastes of any kind from seeds such as sunflower or sesame.

Grinding cinnamon, cloves and nutmeg is not advised as the oils and hardness can cause the plastic lid to pit, discolor or crack. Grains such as corn, wheat, rice barley and rye may also cause damage to the Lid. Chopping, mincing or pureeing of soft foods is not recommended.

CARE AND CLEANING

1. Unplug from the wall outlet.
2. Wipe the Blades, Cover and Grinding Chamber with a damp cloth or paper towel to remove any excess ground coffee or spices. Use a small dry brush to help dislodge dry particles.
NEVER IMMERSE THE GRINDER IN WATER OR PLACE IN THE DISHWASHER.
3. If needed, wipe the exterior with a damp cloth.
4. Make sure to clean the Grinding Chamber completely after each use to prevent flavours from transferring.

NOTE: To ensure that the grinding chamber is clean and nothing remains under the Blades, turn the Grinder on, for a few seconds, with the Grinding Chamber empty. This will dislodge any stubborn particles. For stubborn odours, fill the Grinding Chamber with dry baking soda, place the Lid in position and let stand overnight.

A short supply cord is provided to reduce the hazards of becoming entangled in or tripping over a long cord. Extension cords may be used if care is exercised in their use. If an extension cord is used, the marked electrical rating of the detachable power-supply cord or extension cord should be at least as great as the electrical rating of the appliance. If the appliance is of the grounded type, the extension cord should be a grounded 3-wire cord. The extension cord should be arranged so that it will not drape over the counter top or table top, where it can be pulled on by children or tripped over.

LIMITED WARRANTY

Salton Canada warrants that this appliance shall be free from defects in material and workmanship for a period of one year from the date of purchase. During this 'in-warranty' period, defective products will be repaired or replaced at the discretion of the retailer and/or Salton Canada. This warranty covers normal domestic usage and does not cover damage which occurs in shipment or failure which results from alteration, accident, misuse, abuse, glass breakage, neglect, commercial use or improper maintenance.

A defective product should be returned to the original place of purchase within the retailer's stipulated return/exchange period*. If you are unable to have a defective product replaced under warranty by the retailer, please check our website at "www.salton.com" for the service centre nearest you. You may also contact us for assistance by mail, e-mail, fax or telephone as listed below.

To ensure prompt 'in-warranty' service securely package and return the product to us prepaid. Be sure to include the original proof of purchase and a description of the defect along with your address and postal code.

For repairs not covered by the warranty, please contact us for assistance.

salton®

SALTON CANADA

Customer Service Department

81A Brunswick,

Dollard-des-Ormeaux,

Quebec, Canada H9B 2J5

website: www.salton.com

E-mail: service@salton.com

Fax: 514-685-8300

Tel: 514-685-3660 Ext. 226

* Return/exchange policies at each retailer vary and may differ from the SALTON Canada 1 year limited warranty period.

Free Manuals Download Website

<http://myh66.com>

<http://usermanuals.us>

<http://www.somanuals.com>

<http://www.4manuals.cc>

<http://www.manual-lib.com>

<http://www.404manual.com>

<http://www.luxmanual.com>

<http://aubethermostatmanual.com>

Golf course search by state

<http://golfingnear.com>

Email search by domain

<http://emailbydomain.com>

Auto manuals search

<http://auto.somanuals.com>

TV manuals search

<http://tv.somanuals.com>