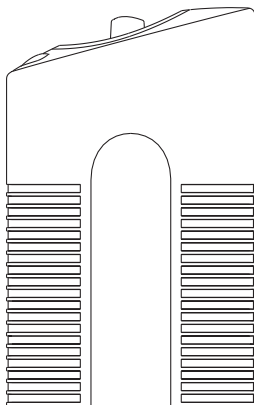


THE SHARPER IMAGE®

Ionic Breeze®
QUADRA®
Silent Air Purifier

SI637
SI697 Instructions

SHARPER IMAGE DESIGN™



**INCLUDES IMPORTANT
SAFETY INFORMATION
READ ALL INSTRUCTIONS
BEFORE USING THIS
APPLIANCE
SAVE THESE
INSTRUCTIONS**

Dear Sharper Image Customer,

Thank you for your purchase of a Sharper Image Design product. We appreciate your business very much.

Please accept my personal assurance of your complete satisfaction with this product's quality and performance. We offer generous return privileges and excellent warranties on all our products.

For more than 25 years, The Sharper Image has shared the fun of discovering innovative products that make life easier and more enjoyable. We've been in business a long time because we are an exciting place to shop and - just as importantly - we strive to deliver great customer service that exceeds your expectations.

Enjoy your purchase!

Respectfully,



Richard Thalheimer

Founder, Chairman and Chief Executive Officer

www.sharperimage.com

Shop our complete Internet catalog.

WARNING: To reduce the risk of fire, electric shock, or injury when using any electrical appliance, basic precautions should always be followed, including:

- This appliance operates at 110v AC and 60Hz only.
- Connect to a properly grounded outlet only.
- Use indoors only.
- Unplug from outlet when not in use and before servicing.
- Do not allow the appliance to be used as a toy.
Close attention is necessary when the appliance is operated near children.
- Use only as described in this user manual.
- Do not use if cord or plug appears to be damaged. If the appliance is not working properly, or has been dropped, damaged, left outdoors, or dropped into water, return it to a service center or to the original place of purchase.
- Do not pull, lift, or carry by the power cord. Do not use the cord as a handle, close a door on the cord, or pull the cord around or against sharp edges or corners.
- Keep the cord away from heated surfaces.

READ AND SAVE THESE INSTRUCTIONS

WARNING: To reduce the risk of fire, electric shock, or injury when using any electrical appliance, basic precautions should always be followed, including:

- Damaged power cord must only be replaced by qualified service personnel. There are no user-serviceable parts inside the unit. Any attempt to open the unit will void the warranty and could lead to serious damage to the unit and/or personal injury to the operator.
- Turn off all controls before unplugging unit from outlet.
- Do not unplug by pulling the cord. Grasp the plug itself, not the cord, when unplugging from an outlet.
- Do not handle the plug or appliance with wet hands.
- Do not put any object into openings. Do not continue to use with any opening blocked. Keep all openings free of dust, lint, hair, or anything that may reduce airflow.
- Keep hair, loose clothing, fingers, and all parts of the body away from openings.
- Do not operate the unit in areas where flammable or combustible products or vapors may be present.

READ AND SAVE THESE INSTRUCTIONS

Important Information - Please Read

The collection grid has many edges and areas that can trap water. It must be completely dry before being re-inserted or the unit could be damaged. If water is used to clean the grid, please allow at least 24 hours for the collection grid to dry.

This unit should not be located near a fireplace, whether or not the fireplace is actually in operation. Dust and soot from the chimney could be rapidly drawn through the Ionic Breeze and deposited on or around the unit.

In rooms where candles or oil lamps are frequently burned, the smoke from these products will tend to stick to the outside of the Ionic Breeze. Avoid placing the Ionic Breeze in a location where it will be subjected to smoke from oil lamps or candles.

In any area where this product will be subjected to heavy pollution or smoke, it will be necessary to clean the collection grid more frequently.

If the unit begins to arc or make a "static" type of sound, turn the unit off, then slide the collection grid out and invert the unit slowly, several times. Replace the grid.

Frequently Asked Questions

About the Ionic Breeze® Quadra™

How often is cleaning required?

About every two weeks or anytime the Ionic Breeze makes an audible sound or the CLEANING INDICATOR flashes.

How should it be cleaned?

Wipe the removable collection grid with a damp cloth, paper towel or wash in your kitchen sink. **It is very important that the collection grid be allowed to dry completely before returning it to the main housing.**

What is the clean fresh scent I smell?

This scent is ozone, (O³), a combination of three oxygen atoms. (The U.S. government has set safe standards for ozone, and the Ionic Breeze complies with those standards.)

Which power setting should I use?

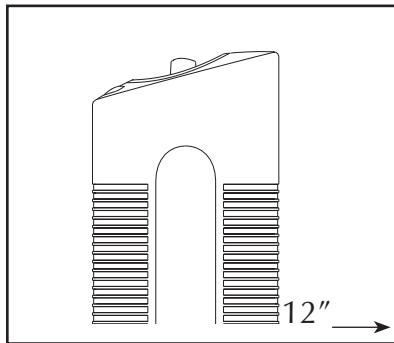
If the odor of ozone is strong (for instance in a smaller room), you may prefer to have the power setting on medium or low.

Please read this product instruction manual for important safety information and operating instructions.

Set-Up and Operation

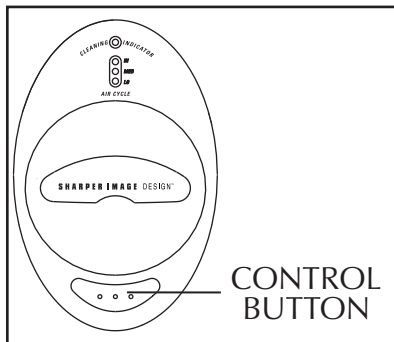
Place Ionic Breeze on a level surface, at least twelve inches from the wall.

Plug into a grounded 110v outlet (read warnings for details).



Activate the unit by pressing the CONTROL BUTTON located on top of the unit.

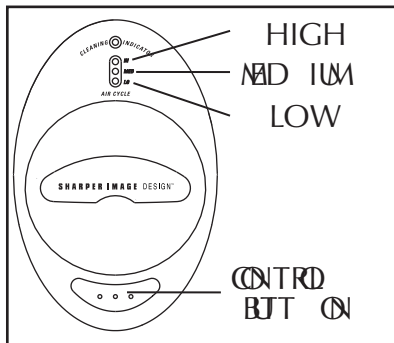
The unit will clean, ionize and circulate the air with periodic bursts, ramping the air-flow up and down in a preprogrammed cycle.



Set-Up and Operation

Select the desired power level by pressing the CONTROL BUTTON to rotate through the HI, MED, LO or OFF settings.

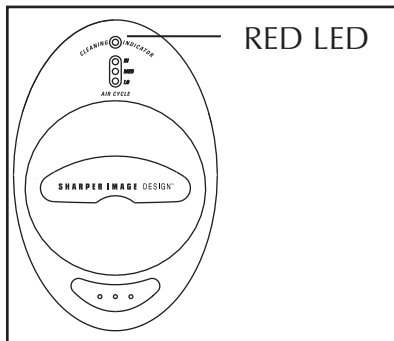
Selected level is indicated by the green LEDs.



This unit must be cleaned at least once every two weeks.

If cleaning is neglected, the unit will shut down. (Indicated by a red LED.)

Normal operation can only be resumed after the grid has been cleaned.



Cleaning the Collection Grid

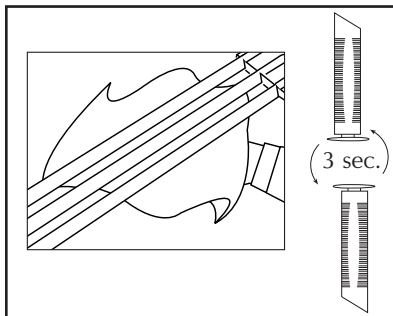
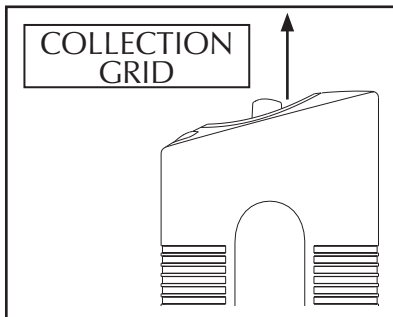
Cleaning of the grid is required every one or two weeks.

Unplug the unit before cleaning.

Remove the collection grid by pulling it from the top of the unit.

Use a dry or slightly damp towel or sponge to quickly wipe the dust from each of the three collection bars.

Invert the entire unit for three seconds before replacing the collection grid.



Thorough Cleaning

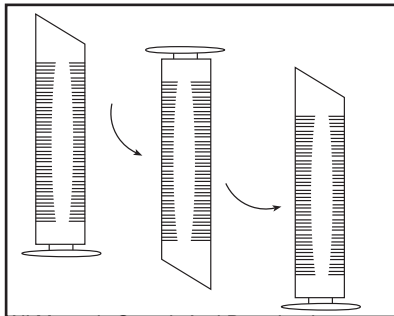
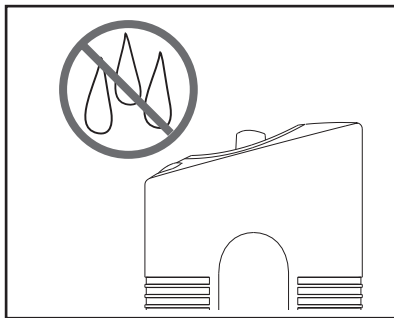
If the unit makes noise during operation, a thorough cleaning of the grid and ionizing wires may be required.

Remove the collection grid by pulling it from the top of the unit.

Wash the grid with warm soapy water, rinse, and **allow to dry for 24 hours** before returning to unit.

Invert the main housing several times before replacing the collection grid.

This action will remove any accumulated particles from the ionizing wires.



Additional Information

The exterior of the unit can be safely cleaned using a soft cloth or sponge and a solution of one part household bleach to five parts water.

Allow the surface to dry for 24 hours before plugging it back into an outlet.

The Ionic Breeze® complies with U.S. safety standards for low ozone emission (less than 50 parts per billion). We recommend that individuals with a history of respiratory disease consult with their doctor about possible heightened sensitivity to very low ozone.

Statement of FCC/DHHS compliance Model: SI637

WARNING:

Changes or modifications to this unit not expressly approved by the party responsible for compliance could void the user's authority to operate the equipment.

NOTE:

This product complies with DHHS Rule 21 subchapter J at date of manufacture.

This equipment has been tested and found to comply with the limits for a Class B digital device, pursuant to Part 15 of the FCC Rules. These limits are designed to provide reasonable protection against harmful interference in a residential installation. This equipment generates, uses, and can radiate radio frequency energy and, if not installed and used in accordance with the instructions, may cause harmful interference to radio communications. However, there is no guarantee that interference will not occur in a particular installation

If this equipment does cause harmful interference to radio or television reception, which can be determined by turning the equipment off and on, the user is encouraged to try to correct the interference by one or more of the following measures:

- Reorient or relocate the receiving antenna.
- Increase the separation between the equipment and receiver.
- Connect the equipment into an outlet on a circuit different from that to which the receiver is connected.
- Consult the dealer or an experienced radio/TV technician for assistance.

FULL FIVE-YEAR WARRANTY

What Is Covered

This warranty covers any defects in materials or workmanship, with the exceptions stated below.

How Long Coverage Lasts

This warranty runs for five years from the date of original purchase.

What Is Not Covered

This warranty does not cover damage caused by misuse or use other than as intended and described in the instruction manual, or damage caused by failure to properly clean and maintain this product.

What The Sharper Image Will Do

The Sharper Image will repair any defects in materials or workmanship. Or, The Sharper Image will have the option to either replace this product with a fully warranted, reconditioned unit, or refund the purchase price of the product.

How to Obtain Service

Return the product and receipt, along with a brief explanation of the problem, to:

T.S.I. - Returns Department
2901-A West 60th Street
Little Rock, AR 72209

If You Have Questions

Please feel free to contact our customer service representatives at 1-800-344-5555 or by email at care@sharperimage.com.

This warranty gives you specific legal rights, and you may have other legal rights that vary from state to state.

Copyright 2001, 2002, 2003
Sharper Image Corporation

Printed in China

Free Manuals Download Website

<http://myh66.com>

<http://usermanuals.us>

<http://www.somanuals.com>

<http://www.4manuals.cc>

<http://www.manual-lib.com>

<http://www.404manual.com>

<http://www.luxmanual.com>

<http://aubethermostatmanual.com>

Golf course search by state

<http://golfingnear.com>

Email search by domain

<http://emailbydomain.com>

Auto manuals search

<http://auto.somanuals.com>

TV manuals search

<http://tv.somanuals.com>