

Form 19393

( 240 )

Printed in U. S. A.

# LIST OF PARTS



MACHINES  
Nos. 114-28 and 114-29

\*\* A TRADE-MARK OF

**THE SINGER MANUFACTURING COMPANY**

# INSTRUCTIONS FOR OILING

---

To ensure easy running and prevent unnecessary wear of the parts which are in movable contact, the machine requires oiling and when in continuous use, "TYPE B" or "TYPE D" OIL, sold only by Singer Sewing Machine Company, should be applied at least twice each day to all oil holes marked "OIL", as instructed in Form 8428.

"TYPE D" OIL is stainless.

## INDEX

---

	Page
Attachments and Accessories.....	19
Eye and Finger Guard.....	20
Foot Lifter Parts.....	21
Machine No. 114-28.....	5
Machine No. 114-29.....	18
Numerical List of Parts.....	23
Starting Lever.....	21
Table Belt Guide.....	22
Thread Unwinder.....	22

Copyright, U. S. A., 1926 and 1940  
by The Singer Manufacturing Co.  
All Rights Reserved for all Countries

In ordering from this list, use ONLY the part NUMBER in the FIRST column.

The number stamped on a Sewing Machine Part is in every case the number of the single part only.

Every combination of parts sent out as such has its specific number, which, although not stamped on the parts, must be used when ordering the combination.

Each number always indicates the SAME PART in whatever list it appears, or for whatever machine.

The letters after some of the numbers indicate the style of finish only, as follows:

- A-Hardened, Polished, Nickel Plated and Buffed
- A.A-Buffed and Chromium Plated
- A.B-Hardened, Polished, Buffed and Chromium Plated
- A.C-Brown Baking Enamel Finish
- A.D-Gray Baking Enamel Finish
- A.E-Hardened, Bright Rumbled and Nickel Plated
- A.F-Hardened, Bright Rumbled, Nickel Plated, Bright Rumbled and Chromium Plated
- B-Polished, Nickel Plated and Buffed
- C-Hardened Only
- C.R-Hardened and Merlized
- D-Polished Only
- E-Soft, Not Polished
- F-Hardened and Polished
- F.J-Hardened, Polished and Nickel Plated
- G-Bright Rumbled and Nickel Plated
- H-Blued
- J-Nickel Plated Only
- K-Hardened and Nickel Plated
- L-Brass Plated
- M-Oxidized
- N-Japanned, Dull
- P-Japanned, Bright
- P.P-Wrinkle Finish
- R-Merlized
- S-Cadmium Plated
- T-Copper Plated
- T.A-Hardened, Polished, Copper and Nickel Plated and Buffed
- T.B-Copper and Nickel Plated and Polished
- T.J-Copper and Nickel Plated Only
- T.K-Hardened, Copper and Nickel Plated
- T.L-Copper and Brass Plated
- T.M-Copper Plated and Oxidized
- U-Zinc Plated
- V-Silver Plated
- W-Polished and Nickel Plated
- X-Black Oxide, for Iron and Steel
- X.C-Hardened and Black Oxide, for Iron or Steel
- Y-Black Nickel Plated Only
- Z-Chromium Plated
- Z.A-Hardened, Polished, Nickel Plated, Buffed and Chromium Plated
- Z.B-Polished, Nickel Plated, Buffed and Chromium Plated
- Z.C-Hardened and Chromium Plated
- Z.D-Polished and Chromium Plated
- Z.G-Bright Rumbled, Nickel Plated, Bright Rumbled and Chromium Plated
- Z.J-Nickel and Chromium Plated
- Z.T-Copper and Chromium Plated

These letters MUST BE USED when they appear in the list; and AFTER the number as in the list.

In this series:

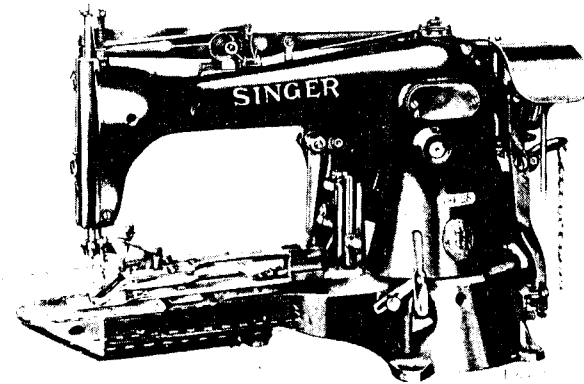
- 1 to 1500, 50001 to 51500 and 140001 to 142000 are Screw Numbers
- 1501 to 1800 and 51501 to 51800 are Nut Numbers
- 1801 to 2000 and 51801 to 52000 are Roller Numbers
- 2001 to 50000 and 52001 to 140000 and 142001 to 190000 are Sewing Machine Parts, 190001 and upward are numbers of Electrical Parts.

The figures in the second column refer only to the plates, illustrating the parts, and are NOT TO BE USED in ordering.

Parts marked with an asterisk (\*) are furnished only when repairs are made at factory.

LIST OF PARTS COMPLETE

FOR



MACHINE No. 114-28

For Sewing Two or Four Hole Buttons, from 10 to 50 ligne. Makes cross stitches in four hole buttons and can be adjusted for two hole and bar buttons. Makes 14 stitches, including the fastening stitch. Thread cutter. Clamp vibrates Across the cylinder. Speed 1500 R. P. M.

No.	Plate	Name
*124845	-----	Arm
*62295	-----	" 124845 with 4449, 15404, 124793 and two each 164E and 15405.....
16532	23167	Arm Dowel Pin.....
4448	23167	" Oil Tube, for intermediate bearing..
56015	23167	" " " " oiling 59705 and 59706
136594	-----	Arm Oil Tube, for oiling Needle Bar Connecting Link (upper) Bearing
880E	23167	" Screw.....
59702	23167	" Shaft (horizontal).....
*136540	-----	Arm Shaft (horizontal) 59702 with 59757, 59774 and 68717
17703	23167	Arm Shaft (horizontal) Bushing (back)...
50333C	23167	" " " " " Ad-justing Screw.....
1520J	23167	Arm Shaft (horizontal) Bushing (back) Adjusting Screw Nut.....

No.	Plate	Name
*4449	-----	Arm Shaft (horizontal) Bushing (front)..
59703	23167	" " " Gear with two 1036C
1036C	23167	" " " " Set Screw.....
59704	23167	" " (upright).....
59705	23167	" " " Bushing (lower).....
446C	23167	" " " " " Set Screw.....
59706	23167	Arm Shaft (upright) Bushing (upper).....
446C	23167	" " " " " Set Screw.....
59707	23167	Arm Shaft (upright) Gear (lower) with two 1253C.....
1253C	23167	Arm Shaft (upright) Gear (lower) Set Screw.....
59708	23167	Arm Shaft (upright) Gear (upper) with two 1253C.....
1253C	23167	Arm Shaft (upright) Gear (upper) Set Screw.....
124674	23167	Arm Side Cover.....
190J	23167	" " " Screw.....
18498	23167	Belt Cover.....
59795	23167	" " Bracket with 184E and 59796..
184E	23167	" " " Screw Stud.....
59796	23167	" " " Stud.....
217J	23167	" " " Screw.....
39222	23153	" Shifter.....
63976	23153	" " Clamp.....
1255D	23153	" " " Screw.....
124712	9596	Brake.....
124713	-----	" 124712 with four 56493.....
124714	9596	" Adjusting Plate.....
124715	9596	" " " Handle.....
124716	-----	" " " " 124715 with 124717.....
50435J	9596	Brake Adjusting Plate Handle Hinge Screw
124717	9596	" " " " Shaft.....
124718	9596	" " " " " Crank with 1253C.....
1253C	9596	Brake Adjusting Plate Handle Shaft Crank Set Screw.....
51224W	9596	Brake Adjusting Plate Thumb Screw.....
124719	9596	" " " " " Bushing
124720	9596	" Arm.....
1403D	9596	" " Hinge Screw.....
124902	23153	" " Releasing Lever.....
124901	-----	" " " " 124902 with 124903 and two 792C.....
124903	23153	Brake Arm Releasing Lever Bracket.....
792C	23153	" " " " " Screw.
176J	23153	" " " " " Screw.....

No.	Plate	Name
50446D	9596	Brake Hinge Screw.....
56493	9596	" Pad (leather).....
124846	9596	" Spring.....
39238	23168	Button Clamp (left) with 9311 and 17723.
39239	23168	" " (right) with 9311 and 17723
124732	23168	" " Arm with 17714 and 124780..
17710	23168	" " " Hinge Plate.....
1176J	23168	" " " " " Screw.....
124780	23168	" " " Hook.....
1175E	23168	" " Hinge Screw.....
124906	23172	" " Lifter.....
190J	23172	" " " Screw.....
124711	23166	" " Locking Device Latch with two 1057J.....
1057J	23166	Button Clamp Locking Device Latch Clamping Screw.....
124678	23166	Button Clamp Locking Device Latch Shaft.
124679	23166	" " " " " " " Crank.....
124680	23166	Button Clamp Locking Device Latch Shaft Crank Connection.....
1282C	23166	Button Clamp Locking Device Latch Shaft Crank Connection Hinge Screw (lower)
1282C	23166	Button Clamp Locking Device Latch Shaft Crank Connection Hinge Screw (upper)
124823	23166	Button Clamp Locking Device Latch Shaft Crank Pin.....
124733	23168	Button Clamp Opening Lever.....
124734	23168	" " " " " Bracket.....
1182J	23168	" " " " " Screw
124735	23172	" " " " " Contact Piece
124736	23172	" " " " " " " Arm.....
50117J	23172	Button Clamp Opening Lever Contact Piece Arm Screw.....
1484J	23172	Button Clamp Opening Lever Contact Piece Screw.....
17718	23172	Button Clamp Opening Lever Contact Piece Screw Washer.....
99R	23168	Button Clamp Opening Lever Hinge Screw..
39241	23168	" " Pressure Spring.....
17713	23168	" " " " " Bracket....
1177D	23168	" " " " " " Screw
17714	23168	" " " " " Guide Block
1178D	23168	" " " " " Screw.....
20437	23168	" " " " " Washer
39242	23168	" " Spreader.....
124737	23168	" " " Lever.....
124738	23168	" " " " " Adjusting Plate.....

No.	Plate	Name
1182J	23168	Button Clamp Spreader Lever Adjusting Plate Screw.....
17718	23168	Button Clamp Spreader Lever Adjusting Plate Screw Washer.....
124739	23168	Button Clamp Spreader Lever Stop.....
50237F	23168	" " " " " Position Screw.....
1182J	23168	Button Clamp Spreader Lever Stop Screw..
17718	23168	" " " " " " Washer.....
1182J	23168	Button Clamp Spreader Screw.....
17719	23168	" " " Spring.....
1181J	23168	" " " " Screw Stud
17720	23168	" " " Steady Pin.....
39244	23168	" " Spring (left).....
39245	23168	" " " (right).....
226J	23168	" " " Screw.....
9311	23168	" " " Steady Pin.....
39248	23168	" " Stop with two 17720.....
1183J	23168	" " " Screw.....
17723	23168	" " Stud.....
124740	-----	Button Clamp complete, Nos. 99R, 1181J, 1183J, 17719, 39238, 39239, 39242, 39244, 39245, 39248, 50237F, 124732 to 124734, 124737 to 124739, two each 226J, 1175E, 17718 and five 1182J...
*62180	-----	Cloth Plate with 62181.....
*62181	-----	" " Button Tray.....
62102	23169	" " Guide Block (left).....
742F	23169	" " " " " Screw....
1547J	23169	" " " " " Nut
62103	23169	" " " " (right).....
3021	23169	" " " " Rivet...
190J	23169	" " Screw.....
62104	23169	" " Stop.....
26770	23169	" " Rivet.....
62182	23169	Cloth Plate complete, Nos. 742F, 1547J, 26770, 62102 to 62104, 62180 and two 3021.....
*124741	-----	Cylinder with 124719.....
62189	23169	" Bottom Cover.....
124742	23169	" End Cover.....
124743	23169	" " " 124742 with 1034D, 62111, 62113, 62185, 62189, 124744 and four 1477D.....
62185	23169	Cylinder End Cover Bracket.....
62111	23169	" " " " Hinge Pin....
1477D	23169	" " " " Screw.....
124744	23169	" " " Hinge.....
1477D	23169	" " " " Screw.....

No.	Plate	Name
62113	23169	Cylinder End Cover Spring.....
1034D	23169	" " " " Screw.....
124745	23167	" Oil Well Cover.....
236D	23167	" " " " Screw.....
59711	23172	Face Plate.....
59712	23172	Face Plate complete, Nos. 208D, 9544, 9545, 59711 and two each 229D, 2107 and 9543.....
164J	23172	Face Plate Screw.....
2107	23172	" " Thread Guard.....
229D	23172	" " " " Screw.....
9543	23172	" " " Nipper Disc.....
9544	23172	" " " " " Cover....
208D	23172	" " " " " Screw
9545	23172	" " " " " Spring....
63940	23171	Feed Across Connection (lever end) with two 896E.....
63941	-----	Feed Across Connection (lever end) 63940 with 55381.....
55381	23171	Feed Across Connection (lever end) Ball Stud.....
641C	23171	Feed Across Connection (lever end) Ball Stud Set Screw.....
63942	23171	Feed Across Connection (regulator end) with two 896E.....
63943	-----	Feed Across Connection (regulator end) 63942 with 63944.....
63944	23171	Feed Across Connection (regulator end) Ball Stud.....
62115	23171	Feed Across Connection Adjusting Stud...
1649C	23171	" " " " " Nut (left).....
1650C	23171	Feed Across Connection Adjusting Stud Nut (right).....
896E	23171	Feed Across Connection Cap Screw.....
62147	23171	" " Lever with 641C and 1952....
124676	-----	" " " 62147 with 17737.....
17737	23171	" " " Hinge Stud.....
160J	23171	" " " " " Clamping Screw.....
62118	23168	Feed Across Lever Plate with 17741.....
62119	23168	" " " " Cover.....
1094E	23168	" " " " Screw.....
55300	23168	" " " " Steady Pin.....
1952	23171	" " " Roller and Stud.....
124865	23171	" " Regulator.....
124866	-----	" " " 124865 with 1188D, 1655E, 14017 and 50324C.....
50599D	23171	Feed Across Regulator Adjusting Screw Stud.....

No.	Plate	Name
1676C	23171	Feed Across Regulator Adjusting Screw Stud Nut.....
46244	23171	Feed Across Regulator Adjusting Screw Stud Nut Washer (fibre).....
17738	23171	Feed Across Regulator Adjusting Screw Stud Nut Washer (steel).....
1188D	23171	Feed Across Regulator Hinge Screw.....
62121	23171	" " " Link.....
50324C	23171	" " " " Screw Stud...
1655E	23171	" " " " " " Nut
14017	23171	" " " " " " Washer.....
17741	23168	Feed Across Regulator Link Stud.....
124690	23169	" Cam with two 1192C, three each 190J, 17874, 124616, 124622 and twelve 335J.
18415	23167	Feed Cam Driving Worm with 1441C and 1442C.....
1442C	23167	Feed Cam Driving Worm Position Screw....
1441C	23167	" " " " Set Screw.....
17797	23169	" " " " Wheel with 453C...
18384	23169	" " " " Pin.....
453C	23169	" " " " Set Screw...
18384	23169	" " Pin.....
1192C	23169	" " Set Screw.....
62155	23169	" " Shaft.....
62264	-----	" " " 62155 with 1653C and 17797
1653C	23169	" " " Nut.....
62297	23168	" Plate for four hole buttons.....
124747	-----	" " " two hole buttons.....
*18445	-----	" " Carrier Bar.....
62123	23168	" " " " 18445 with 934J, 1094F, 1195E, 8505, 17743, 18368, 62118, 62119, two 55300 and four 17806....
59730	23168	Feed Plate Carrier Bar Pivot Block.....
50306D	23168	" " " " " " Screw
18368	23168	" " " " Plate.....
934J	23168	" " " " Screw.....
1654C	23168	" " Nut.....
17806	23168	" " Position Stud.....
1195E	23168	" " Screw Stud.....
8505	23168	" " " " Rivet.....
17742	23171	" Regulator with 1953.....
62117	23171	" " Bracket with three 160J..
160J	23171	" " " Cap Screw.....
8589	23171	" " " Dowel Pin.....
1177D	23171	" " " Screw.....
17744	23168	" " Hinge Stud.....
17743	23168	" " Post.....
1953	23171	" " Roller and Screw Stud with 1655C and 14017.....

No.	Plate	Name
1655C	23171	Feed Regulator Roller and Screw Stud Nut
14017	23171	" " " " " " " " Washer.....
1190C	23168	Feed Regulator Stop Screw.....
17745	23168	" " Swivel.....
1191D	23168	" " Thumb Screw.....
124907	23173	Knife.....
665J	23173	" Screw.....
136545	23173	Loop Finger.....
136546	23167	" " Cam with 50274C.....
124824	23173	" " Carrier.....
124797	-----	" " " 124824 with 124753..
124752	23173	" " " Crank with 208J and 124755.....
208J	23173	Loop Finger Carrier Crank Clamping Screw
124753	23173	" " " Holder.....
208J	23173	" " " Screw.....
124754	23173	" " " Pitman with four 218J
124791	-----	" " " " 124754 with 124752 and 124757.....
124755	23173	Loop Finger Carrier Pitman Ball Stud....
218J	23173	" " " " Cap Screw....
124757	23173	" " Driver with 51868 and 124755
124978	23167	" " " Cam with two 50150C..
50150C	23167	" " " " Set Screw.....
50183D	23173	" " " Hinge Screw.....
51868	23173	" " " Roller and Stud.....
124759	23167	" " Rocking Frame.....
229J	23173	" " Screw.....
62298	23167	Looper with 34418.....
124761	23167	" Driving Shaft.....
124762	23167	" " " Bushing.....
52045	23167	" " " " Packing (cotton).....
1143C	23167	Looper Driving Shaft Bushing Set Screw..
59707	23167	" " " Gear with two 1253C
59747	23167	" " " " Cover.....
190J	23167	" " " " " Screw...
1253C	23167	" " " " Set Screw.....
50274C	23167	" Set Screw.....
124763	23167	" Shaft.....
124764	23167	" " Bushing.....
50189C	23167	" " " Set Screw.....
124765	23167	" " Coupling with four 50150C..
50150C	23167	" " " Set Screw.....
34418	23167	" Washer.....
62299	23172	Needle Bar with 1072F.....
*39203	-----	" " Connecting Link.....
136593	-----	Needle Bar Connecting Link 39203 with 377C, 1518J and 136592

No.	Plate	Name
377C	23172	Needle Bar Connecting Link Hinge Screw..
1518J	23172	" " " " " " Nut
136592	-----	Needle Bar Connecting Stud with 202E
202E		" " " " Set Screw....
59757		" " Crank Wheel with 446C and 1293C.....
1293C	23167	Needle Bar Crank Wheel Position Screw...
446C	23167	" " " " Set Screw.....
124794	23172	" " Thread Retainer.....
124795	-----	Needle Bar Thread Retainer complete, Nos. 1449H, 124794, 124796 and 124821.....
124796	23172	Needle Bar Thread Retainer Bracket with 853C and two 42639.....
853C	23172	Needle Bar Thread Retainer Bracket Set Screw.....
42639	23172	Needle Bar Thread Retainer Position Pin.
1449H	23172	" " " " Screw.....
124821	23172	" " " " Spring.....
124979	23167	" Guard.....
124980	23167	" " Cam with two 465C.....
465C	23167	" " " Set Screw.....
2273	23167	" " Pin.....
124767	23167	" " Shaft.....
124983	-----	" " " 124767 with 2273 and 124979.....
59761	23167	Needle Guard Shaft Collar with two 465C.
465C	23167	" " " " Set Screw....
124602	23167	" " " Crank with 124974 and two 1253C.....
51857	23167	Needle Guard Shaft Crank Roller.....
124974	-----	Needle Guard Shaft Crank Roller complete, Nos. 51857, 124698 and 124699.....
124698	23167	Needle Guard Shaft Crank Roller Bushing.
124699	23167	" " " " " "
1253C	23167	Stud.....
59765	23167	Needle Guard Shaft Crank Set Screw.....
59766	23167	" " " Spring.....
624C	23167	" " " " Collar with 624C
233J	23167	" " " " Set Screw.....
124768	23167	" " " " Screw.....
233J	23167	" " " " Screw.....
1072F	23172	" Set Screw.....
2058	23172	Presser Bar.....
124769	23166	" " Collar and Thread Pull-off Bracket with two 196C.....
196C	23166	Presser Bar Collar Set Screw.....
17842	23172	" " Guide Bracket with 453C.....
453C	23172	" " " " Set Screw....
124790	23166	" " Lifting Lever.....

No.	Plate	Name
124793	23166	Presser Bar Lifting Lever Bracket.....
164E	23166	" " " " " " Screw.
1201D	23166	" " " " Hinge Screw...
17845	23166	" " " " Rod.....
17846	23166	" " " " Chain.....
32675	23172	" " Spring.....
68712	23167	Pulley (loose) 2 3/4 in. diam., with 200584D.....
68713	-----	Pulley (loose) 68712 with 68714.....
68714	23167	" " Ball Bearing.....
68715	23167	" " Bushing.....
51387R	23167	" " Cap Screw.....
200584D	23167	" " Oil Hole Plug Screw.....
68716	23167	" (tight) 2 7/8 in. diam.....
68720	-----	" " 68716 with 1206C and 17854
68717	-----	Pulleys (ball bearing) complete, Nos. 51387R, 68713, 68715 and 68720.....
17853	23153	Starting Lever.....
1262C	23153	" " Hinge Screw.....
1662C	23153	" " " " Nut.....
17854	23167	Stop Cam.....
17855	23153	" " Interlocking Rod.....
124784	23153	" " " " Case.....
124770	-----	" " " " " 124784 with 124774, 124901 and two 176J.....
124904	-----	Stop Cam Interlocking Rod Case 124770 with 63976 and two 1255D.....
124771	-----	Stop Cam Interlocking Rod Case 124904 with 1318D, 17855, 17863, 17864, 39222 and 68739.....
124772	23153	Stop Cam Interlocking Rod Case Bracket..
124773	-----	Stop Cam Interlocking Rod Case Bracket complete, Nos. 1182E, 1196C, 1204E, 1254C, 1262C, 1508J, 1662C, 17853, 17859, 17861, 17862, 17872, 17873, 124771, 124772 and two 898D.....
21828	23153	Stop Cam Interlocking Rod Case Bracket Dowel Pin.....
50372D	23153	Stop Cam Interlocking Rod Case Bracket Screw.....
1204E	23153	Stop Cam Interlocking Rod Case Hinge Screw.....
17859	23153	Stop Cam Interlocking Rod Case Socket Joint.....
898D	23153	Stop Cam Interlocking Rod Case Socket Joint Cap Screw.....
11622	9596	Stop Cam Interlocking Rod Case Spring...
19694	9596	" " " " " "
1695C	9596	Hook.....
		Stop Cam Interlocking Rod Case Spring Hook Lock Nut.....

No.	Plate	Name
17861	23153	Stop Cam Interlocking Rod Case Stop Stud
1254C	23153	" " " " " " " "
		Screw Bushing.....
1508J	23153	Stop Cam Interlocking Rod Case Stop Stud
		Screw Bushing Lock Nut.....
17862	23153	Stop Cam Interlocking Rod Case Stop Stud
		Spring.....
124774	23153	Stop Cam Interlocking Rod Case Wearing
		Block.....
17863	23153	Stop Cam Interlocking Rod Spring.....
17864	23153	" " " " Stop.....
1318D	23153	" " " " " Screw....
68739	23153	" " " " " " Wash-
		er.....
3012	23167	Stop Cam Pin.....
1206C	23167	" " Screw.....
2102	23166	Tension Disc.....
1560C	23166	" Regulating Thumb Nut.....
50148C	23166	" Screw Stud.....
124687	-----	" " " 50148C with 1560C....
42336	23166	" Spring.....
13915	23166	" " Bushing.....
124775	23166	" Thread Guide.....
50370J	23166	" " " Set Screw.....
124850	23173	Thread Breaker.....
62124	23167	" " Bar with 62130 and two
		3021.....
124933	9596	Thread Breaker Bar Check.....
124934	9596	" " " " Plunger.....
124935	9596	" " " " " Case...
1186D	9596	" " " " " " "
		Screw.....
1722D	9596	Thread Breaker Bar Check Plunger Lock
		Nut.....
1722D	9596	Thread Breaker Bar Check Plunger Nut....
124938	9596	" " " " " Spring.
51120J	9596	" " " " " Regulating Screw
51591J	9596	" " " " " " "
		Lock Nut.....
50152D	9596	Thread Breaker Bar Check Screw.....
124936	-----	Thread Breaker Bar Check complete, Nos.
		51120J, 51591J, 124933 to 124935,
		124938 and two 1722D.....
62126	9596	Thread Breaker Bar Connection with 17917
17915	9596	" " " " " Slide Block
17917	-----	" " " " " " "
		17915 with 17916.....
17916	9596	Thread Breaker Bar Connection Slide
		Block Stud.....
59734	9596	Thread Breaker Bar Driving Lever with
		223F and 59735.....

No.	Plate	Name
1382F	9596	Thread Breaker Bar Driving Lever Hinge
		Screw.....
1681C	9596	Thread Breaker Bar Driving Lever Hinge
		Screw Nut.....
59735	9596	Thread Breaker Bar Driving Lever Lock
		Stud.....
223F	9596	Thread Breaker Bar Driving Lever Lock
		Stud Screw.....
124787	23173	Thread Breaker Bar Guide.....
1235F	23173	" " " " Screw.....
124908	23173	" " Holder with 59739.....
62129	23173	" " " Cap with 59739....
50018F	23173	" " " " Screw.....
1547J	23173	" " " " " Nut....
59739	23173	" " " " Stud.....
62130	23167	" " " Connection.....
3021	23167	" " " " Rivet..
59739	23173	" " " Stud.....
236F	23173	" " Screw.....
124609	23172	" Controller Sleeve.....
124607	23172	" " Spring.....
124608	23172	" " " Collar with
		1477F.....
1477F	23172	Thread Controller Spring Collar Set
		Screw.....
124610	23172	Thread Controller Stud.....
457C	23172	" " " Set Screw.....
124611	-----	Thread Controller complete, Nos. 124607
		to 124610.....
*124612	-----	Thread Nipper (lower) Blade.....
*124613	-----	" " " " Carrier with
		124619.....
124614	23166	Thread Nipper (lower) Blade Carrier
		124613 with 124612 and two 6037....
665J	23166	Thread Nipper (lower) Blade Carrier Cap
		Screw.....
124615	23173	Thread Nipper (lower) Blade Carrier
		Hinge Stud.....
6037	23166	Thread Nipper (lower) Blade Rivet.....
124616	23169	" " " Cam.....
335J	23169	" " " " Screw.....
124653	23166	" " " Connection.....
124618	23166	" " " " Extension
99K	23166	" " " " " "
		Hinge Screw.....
206J	23166	Thread Nipper (lower) Connection Exten-
		sion Screw.....
124619	23166	Thread Nipper (lower) Connection Hinge
		Stud.....
124620	23166	Thread Nipper (lower) Driving Arm.....



### MACHINE No. 114-29

For Sewing Two or Four Hole Buttons, from 10 to 50 ligne.  
 Makes cross stitches in four hole buttons and can be adjusted  
 for two hole and bar buttons. Makes 21 stitches, including the  
 fastening stitch. Thread cutter. Clamp vibrates Across the cylinder.  
 Speed 1500 R. P. M.

NOTE: THIS MACHINE IS THE SAME AS THE NO. 114-28  
 MACHINE, WITH THE FOLLOWING EXCEPTIONS:

No.	Plate	Name
124688	23170	Feed Cam with two each 190J,1192C,17874, 124616,124630 and ten 335J, in place of 124690.....
124630	23170	Thread Nipper (lower) Lever Guide, in place of 124622.....

### ATTACHMENTS AND ACCESSORIES

No.	Plate	Name
59797	23174	Button Tray with two wood screws 1 1/4 in. No.14.....
124958	23157	Cylinder Base Plate with two 453C.....
18420	23157	" " " Hinge Connection....
18423	23157	" " " " " Hinge Pin.....
453C	23157	Cylinder Base Plate Hinge Connection Hinge Pin Set Screw.....
134E	23157	Cylinder Base Plate Screw.....
124959	23157	Cylinder Base Plate (hinged) complete, Nos. 124958, two each 18420, 18423, three wood screws 1 1/4 in. No. 12 and four 134E.....
124975	-----	Cylinder Base Plate 124959 with 124966..
124960	23157	Machine Supporting Bracket (lower).....
178J	23157	" " " " Screw
124961	23157	" " " (upper).....
1396J	23157	" " " " Screw
124962	23157	" " Link (lower).....
124963	23157	" " " (upper).....
124964	23157	" " " Hinge Rivet.....
124965	23157	" " " Lock Plate.....
190333	23157	" " " " " Lock Stud.....
124964	23157	Machine Supporting Link Lock Plate Rivet
124966	23157	Machine Support complete, Nos. 178J, 1396J,124960 to 124963,124965,190333 and four 124964.....
120346	23157	Oiler (copper plated) with 120347.....
120347	23157	" Spout, 8 1/2 in. long.....
11831	23157	Screw Driver (large).....
26026	23157	" " (small).....
4822	23157	Wrench for 1547.....
10875	23157	" " 1518,1520,1649,1650 and 1662.
17905	23157	" " 1176,1178,1654,1655 and 1676.
25200	23157	" " 1527.....
27662	23157	" " 1254 and 1508.....

## EYE AND FINGER GUARD

No.	Plate	Name
121603	23158	Eye and Finger Guard (glass).....
121604	23158	Carrying Arm.....
1004K	23158	" " Hinge Screw (back).....
1698J	23158	" " " " " Nut.....
50222K	23158	" " " " (front).....
1735J	23158	" " " " " Nut.....
121605	23158	" " Spring.....
50435K	23158	Depressing Screw.....
121606	23158	" " Holder.....
140061J	23158	" " " Screw.....
121607	23158	Frame.....
121608	-----	" 121607 with 121603.....
50165J	23158	" Screw.....
121609	23158	Guiding Rod.....
50435K	23158	" " Hinge Screw.....
121611	23158	Holder.....
121612	23158	Supporting Bracket.....
191J	23158	" " " Screw.....
121613	-----	Eye and Finger Guard complete, Nos.1004K, 1698J,1735J,50222K,50435K,121604, 121605,121608,121609,121611,121612 and two 50165J.....
136586	23158	Face Plate.....
2107	23158	" " Thread Guard.....
229J	23158	" " " " Screw.....
9543	23158	" " " Nipper Disc.....
9544	23158	" " " " " Cover.....
208J	23158	" " " " " " Screw
9545	23158	" " " " " Spring....
136587	-----	Face Plate complete, Nos.208J,9544,9545, 136586 and two each 229J, 2107 and 9543.....
121627	23158	Eye and Finger Guard with Face Plate complete, Nos. 50435K,121606,121613, 136587, 140061J and two 191J.....

## FOOT LIFTER PARTS

No.	Plate	Name
17876	23159	Treadle with 443C.....
17877	23159	" Pitman Rod (lower).....
17878	23159	" " " (upper).....
17879	23159	" " " Clamp with two 161E..
161E	23159	" " " " Screw.....
17880	-----	Treadle Pitman complete, Nos. 17877 to 17879.....
17881	23159	Treadle Shaft.....
443C	23159	" " Set Screw.....
17882	23159	" Spring.....
17883	23159	" Stand.....
17884	23159	Treadle complete, Nos. 17876, 17881 to 17883 and two wood screws 1 in. No. 10.....
17885	-----	Treadle and Pitman complete, Nos. 17880 and 17884.....

## STARTING LEVER

No.	Plate	Name
13351	23159	Chain, 46 in. to 55 in. long, with 56864 and 56865.....
Note: When ordering 13351, give length required.		
56864	23159	Chain Hook (large).....
56865	23159	" " (small).....
17876	23159	Treadle with 443C.....
17881	23159	" Shaft.....
443C	23159	" " Set Screw.....
17882	23159	" Spring.....
17883	23159	" Stand.....
17884	23159	Treadle complete, Nos. 17876, 17881 to 17883 and two wood screws 1 in. No. 10.....

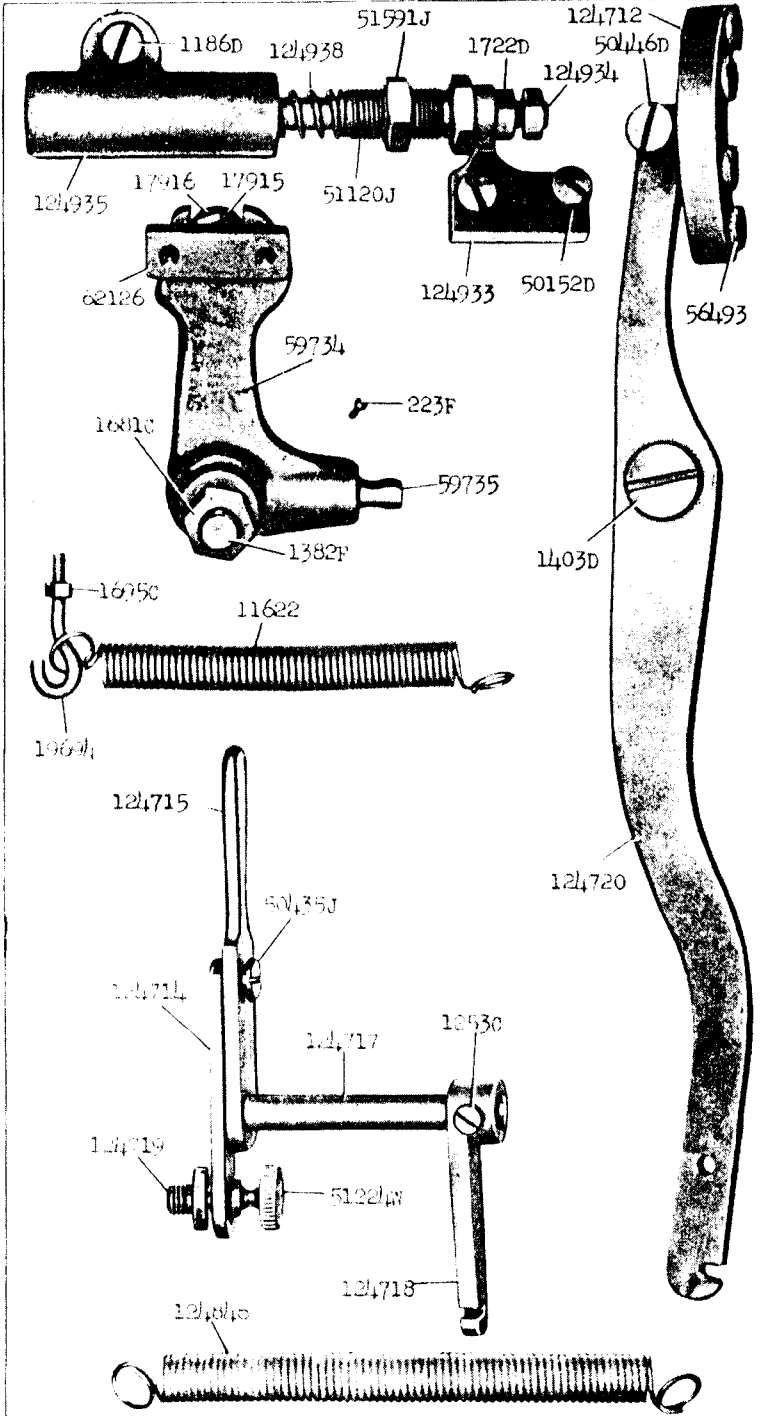
## TABLE BELT GUIDE

No.	Plate	Name
39218	23159	Belt Guide with two 168E.....
168E	23159	" " Set Screw.....
17892	23159	Bracket with two 153E.....
17893	23159	Pulley.....
39219	23159	" Shaft (long) with 17896 and 63973
63973	23159	" " " Wick (braided cotton)
39220	23159	" " (short) with 17896 and 63974
63974	23159	" " " Wick (braided cotton)
17896	23159	" " Plug.....
153E	23159	" " Set Screw.....
39221	23159	Table Belt Guide complete, Nos. 17892, 39219, 39220, two each 17893, 39218 and three wood screws 1 1/4 in. No. 12.....

## THREAD UNWINDER

FOR ONE LARGE SPOOL OR ONE LARGE CONE OF THREAD

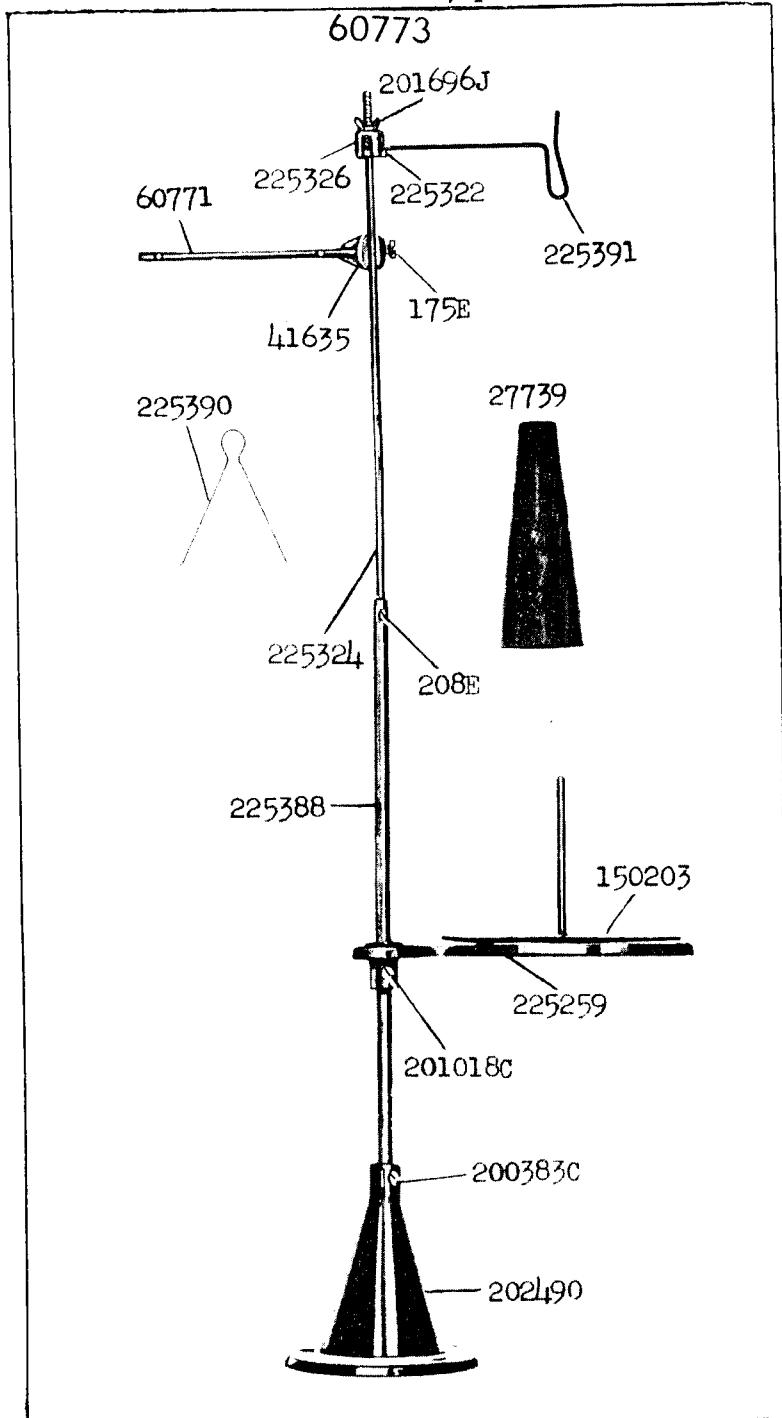
No.	Plate	Name
225259	23160	Spool Rest with 201018C.....
150203	23160	" " Cushion (felt).....
225388	23160	" " Rod.....
200383C	23160	" " " Set Screw.....
201018C	23160	" " Set Screw.....
202490	23160	" Stand with 200383C.....
225391	23160	Thread Guide.....
60771	23160	" Guide.....
60772	-----	" " 60771 with 41635.....
41635	23160	" " Bracket with 175E.....
175E	23160	" " " Set Screw.....
201696J	23160	" " Lock Nut.....
225326	23160	" " Position Cup.....
225324	23160	" " Rod with 208E and 225322...
208E	23160	" " " Screw.....
225322	23160	" " " Washer.....
225260	-----	Thread Unwinder complete, Nos. 150203, 201696J, 202490, 225259, 225324, 225326, 225388, 225391 and three wood screws 7/8 in. No. 12.....
27739	23160	Thread Cone (wood) for large cones.....
225390	23160	" " Holder, for inverted cones..
Note: Nos. 27739 and 225390 are used with, but not included in 225260.		
60773	23160	Thread Unwinder with Thread Guide com- plete, Nos. 60772 and 225260.....



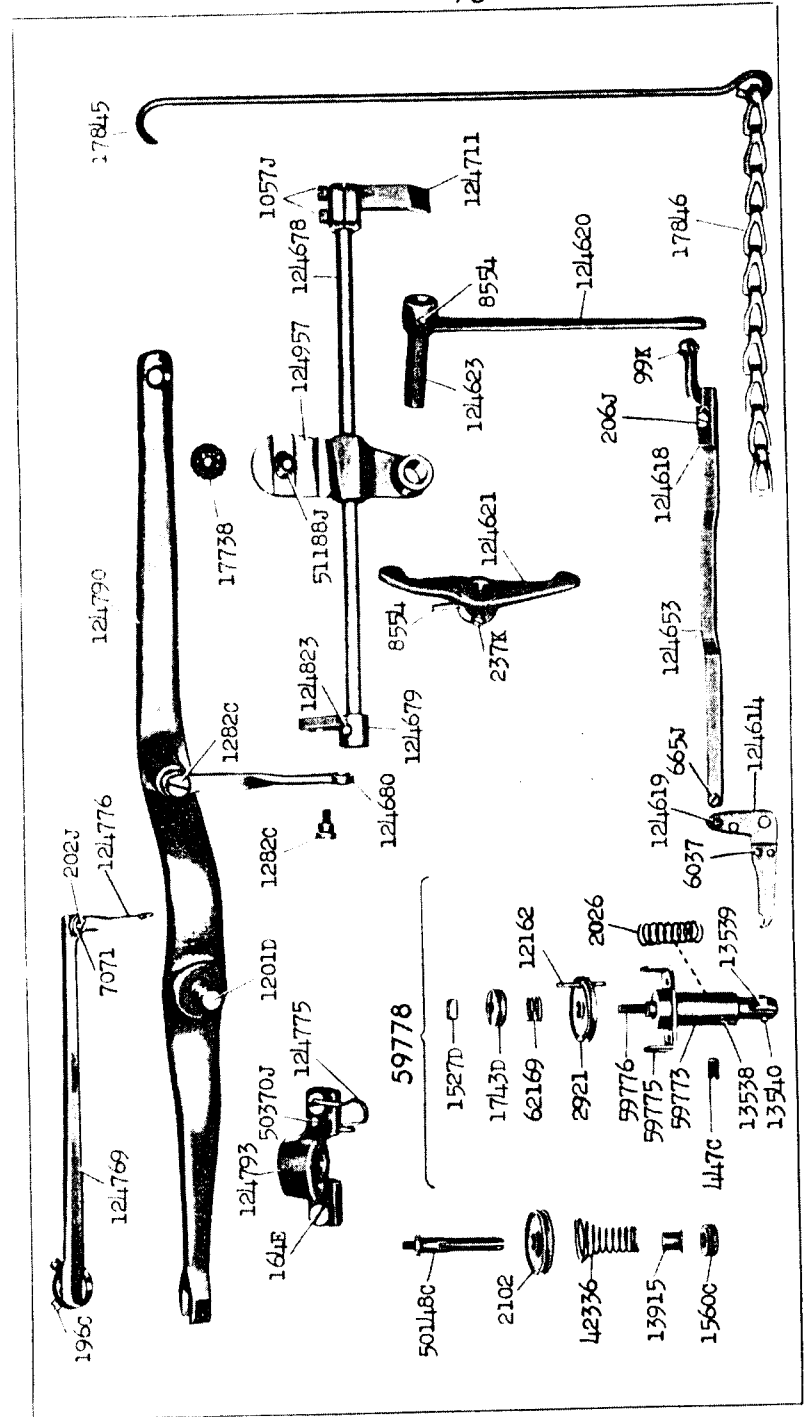




23160 - 1/4



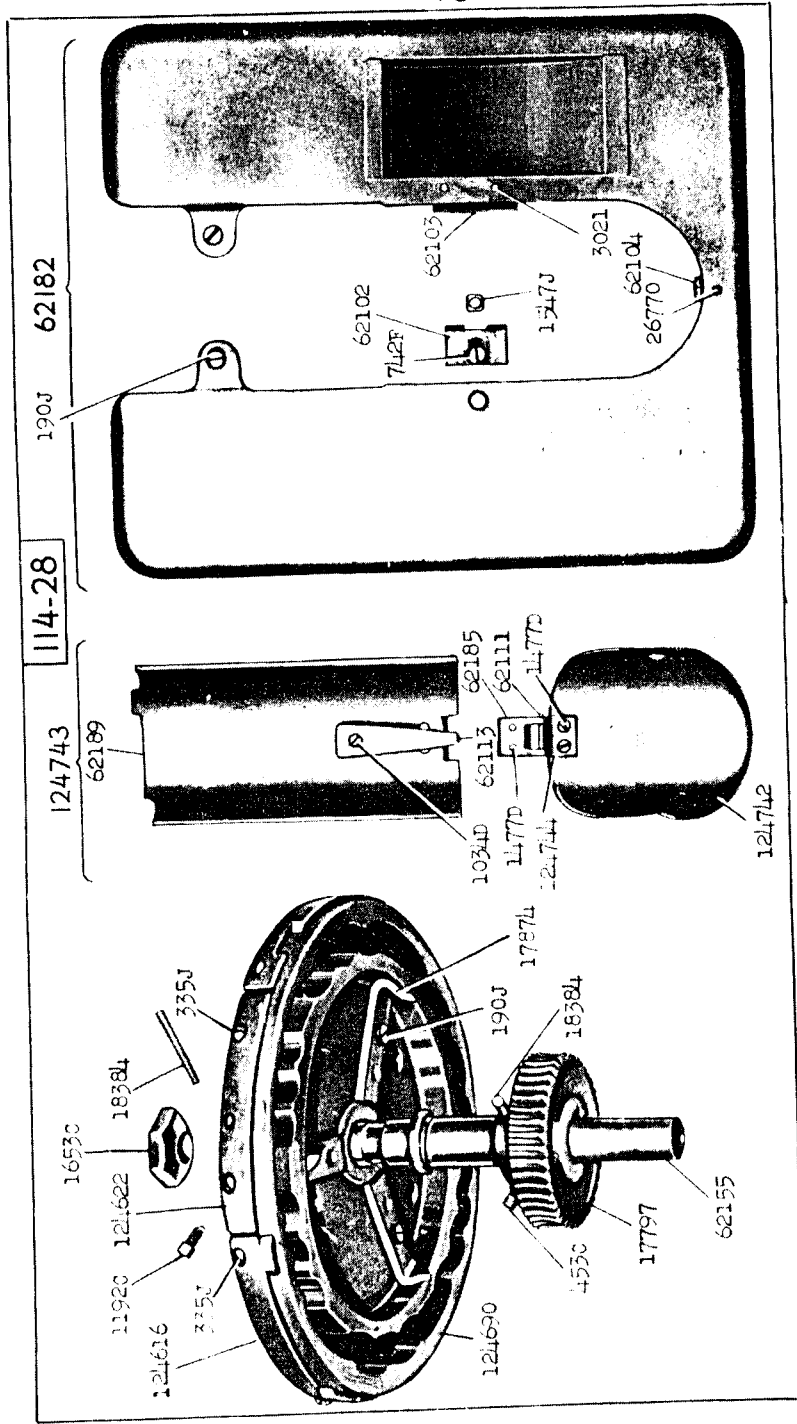
23166 - 1/3



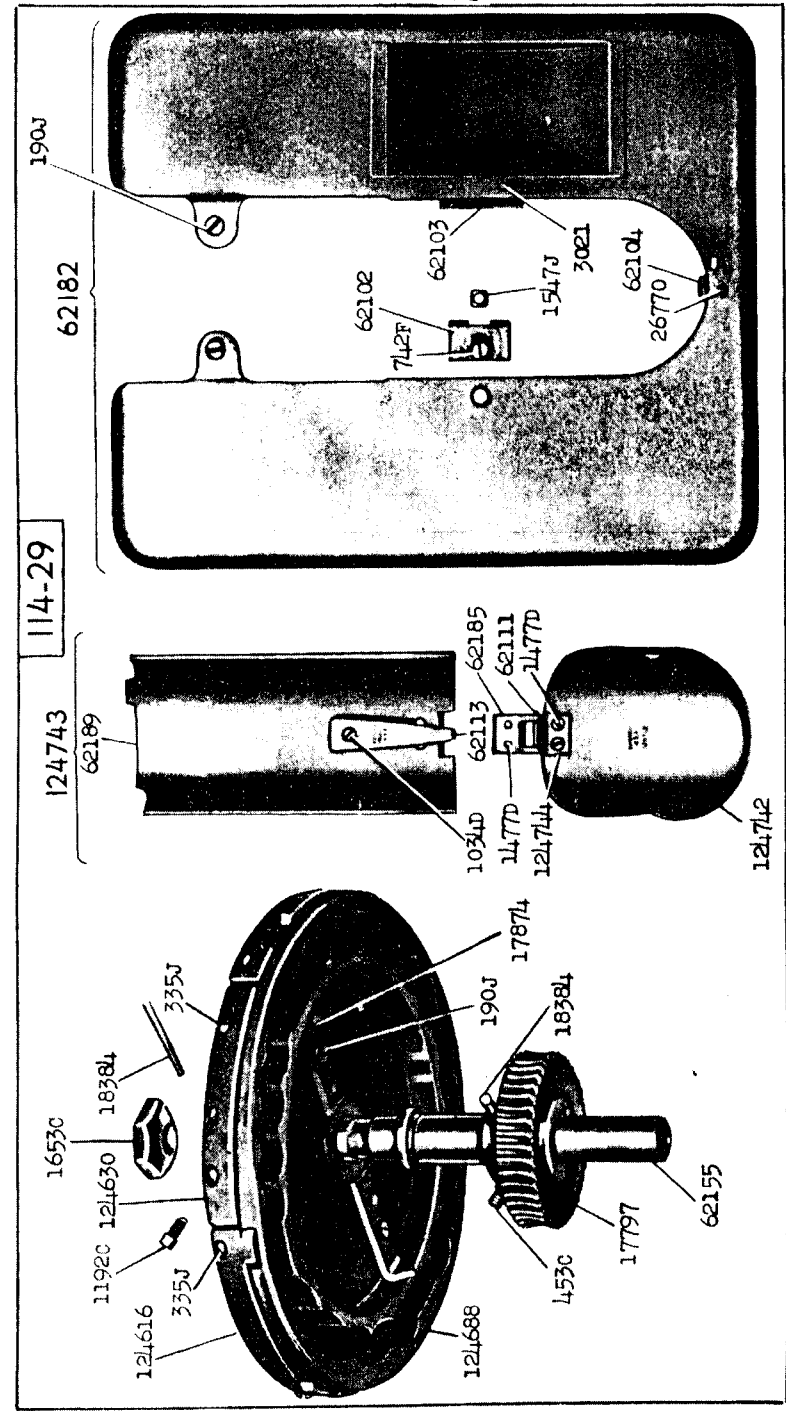




23169 - 1/3

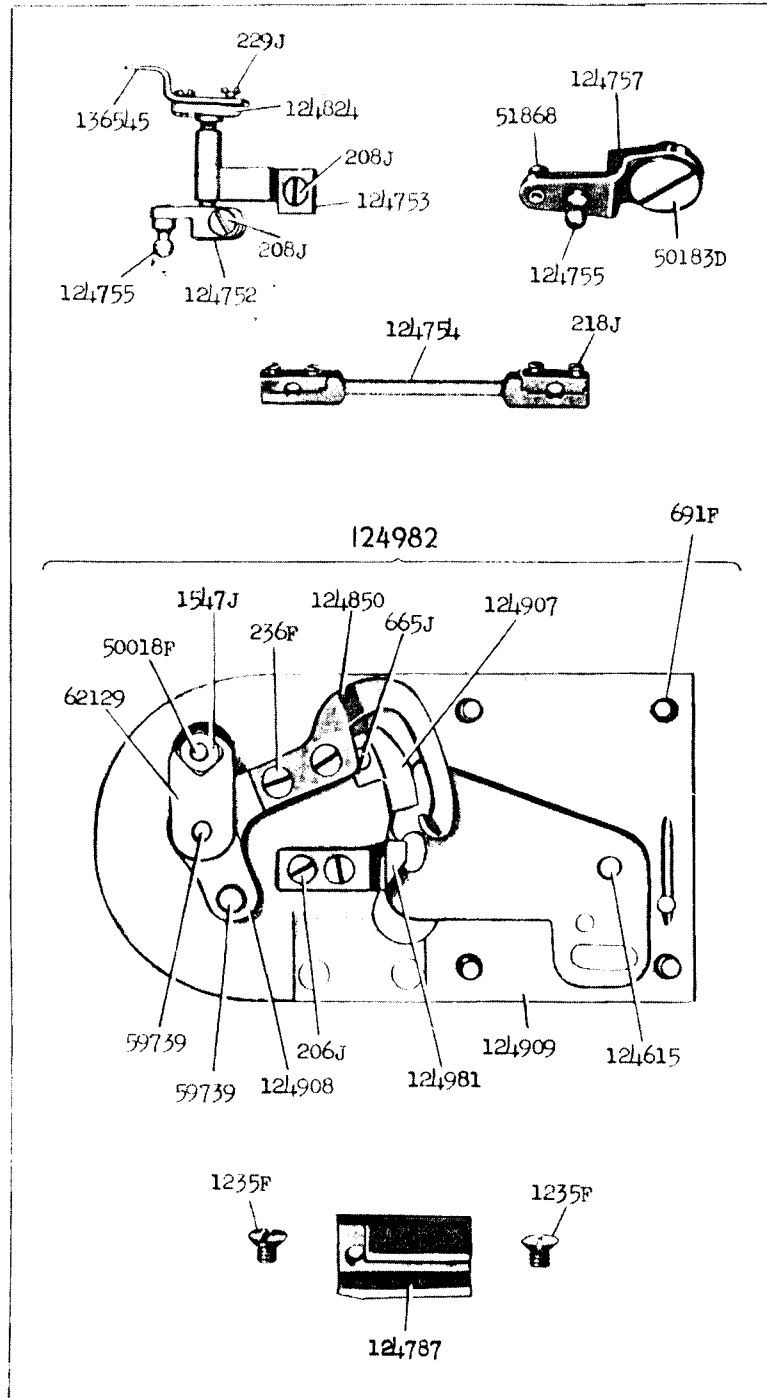


23170 - 1/3

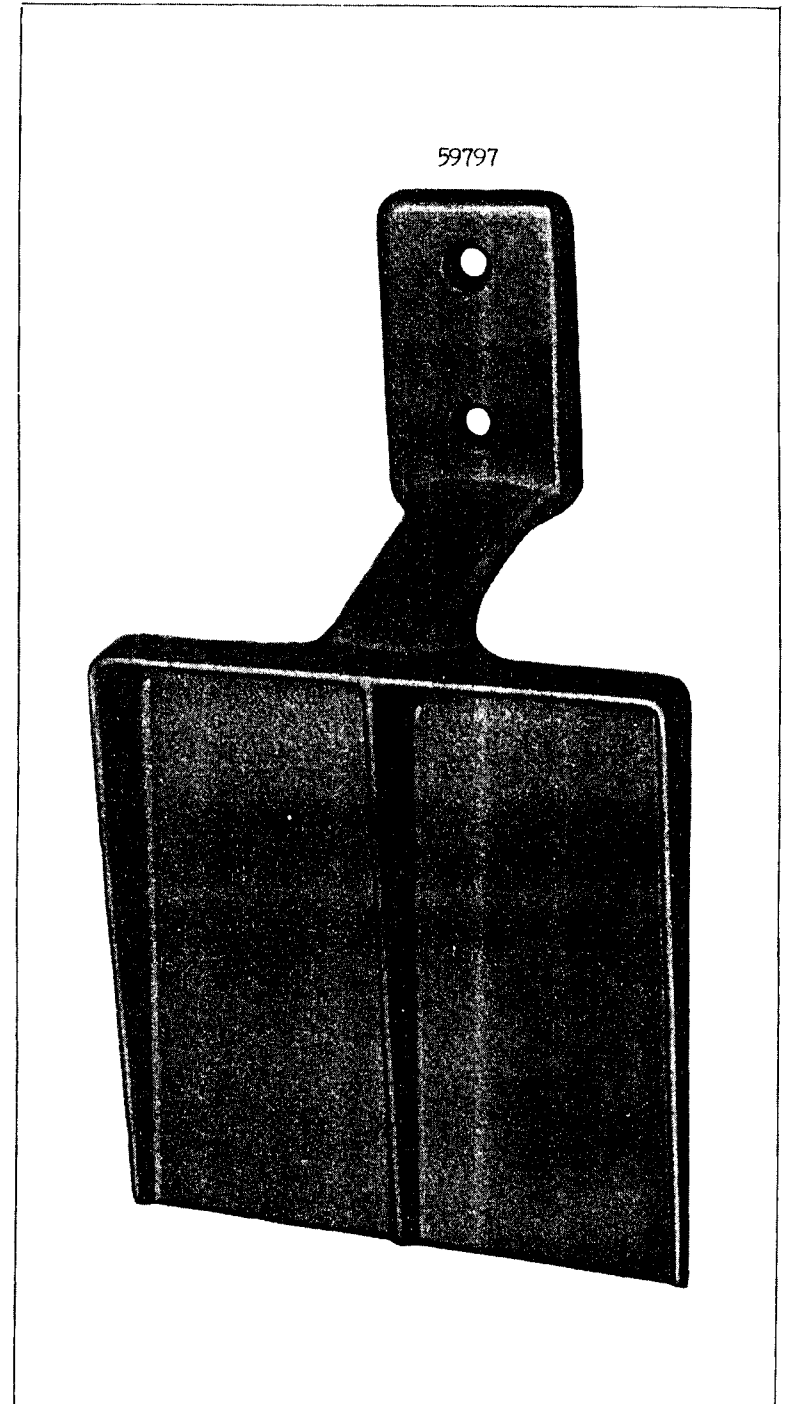




23173 - 2/3



23174 - 1/2



## Free Manuals Download Website

<http://myh66.com>

<http://usermanuals.us>

<http://www.somanuals.com>

<http://www.4manuals.cc>

<http://www.manual-lib.com>

<http://www.404manual.com>

<http://www.luxmanual.com>

<http://aubethermostatmanual.com>

Golf course search by state

<http://golfingnear.com>

Email search by domain

<http://emailbydomain.com>

Auto manuals search

<http://auto.somanuals.com>

TV manuals search

<http://tv.somanuals.com>