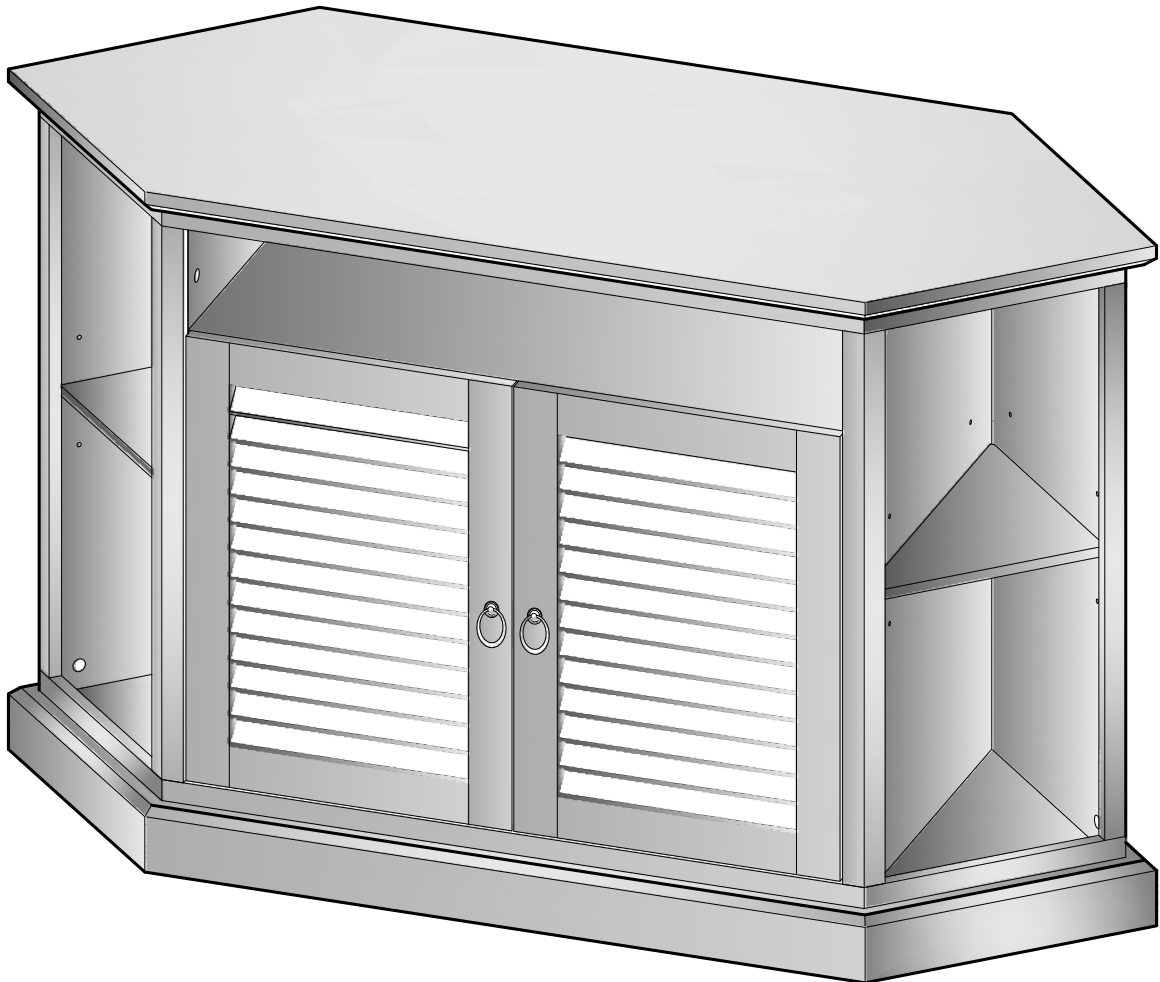


**W** Walker  
**E** Edison  
furniture company

Item #: W52CCR  
Assembly Instructions

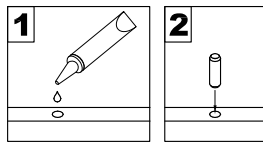


*For our most current instructions, to request missing, lost, or broken parts, or for any other Customer Service issues, please visit our website at [www.walkeredison.com](http://www.walkeredison.com) or call us at 877-207-5906.*

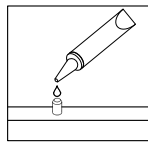
Revised 07/2012

# General Assembly Guidelines

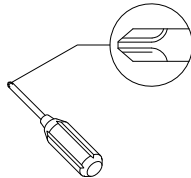
- I. Ensure that all parts and hardware are available before beginning assembly.
- II. Follow each step carefully to ensure the proper assembly of this product.
- III. Two people are recommended for ease in the assembly of this product.
- IV. The main types of hardware used to assemble this product are wood dowels, cam bolts and locks, bolts and screws.
- V. The provided glue is to secure wood dowels in place. When first inserting dowels, locate the appropriate hole for the dowel, place a small amount of glue in the hole and insert the dowel. Wipe away excess glue immediately.



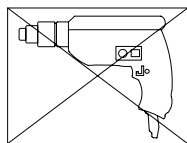
In future assembly steps when dowels are necessary to attach assembly parts together, place a small amount of glue on the end of the dowel before attaching parts together. Wipe away excess glue immediately.



- VI. A Phillips head screwdriver is required for the assembly of this product.

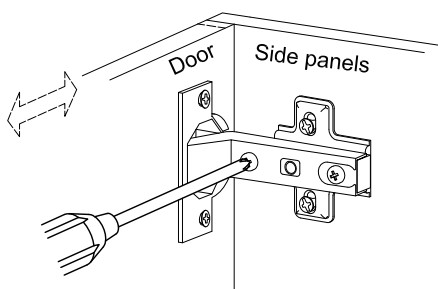


- VII. Power tools should not be used to assemble this product.

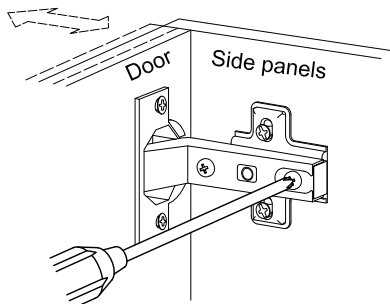


- VIII. The hinges of this product can be adjusted three ways:

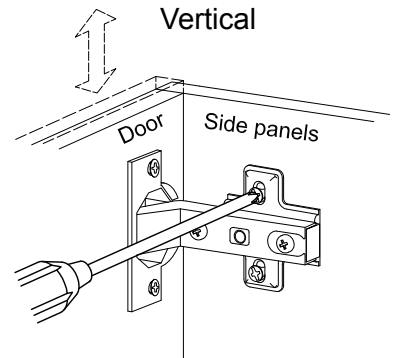
Horizontal



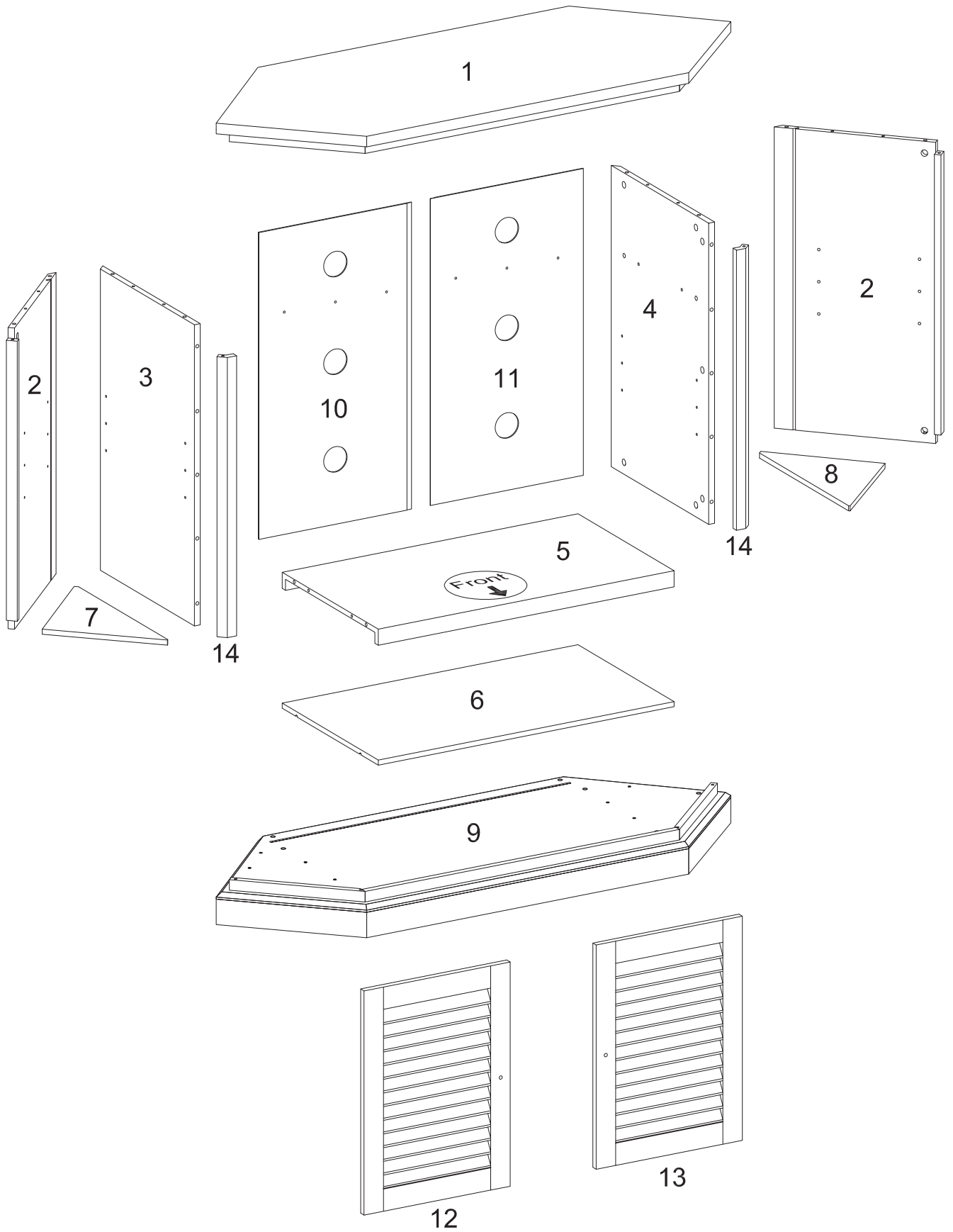
Forward and Back





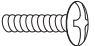




Vertical



# Parts List

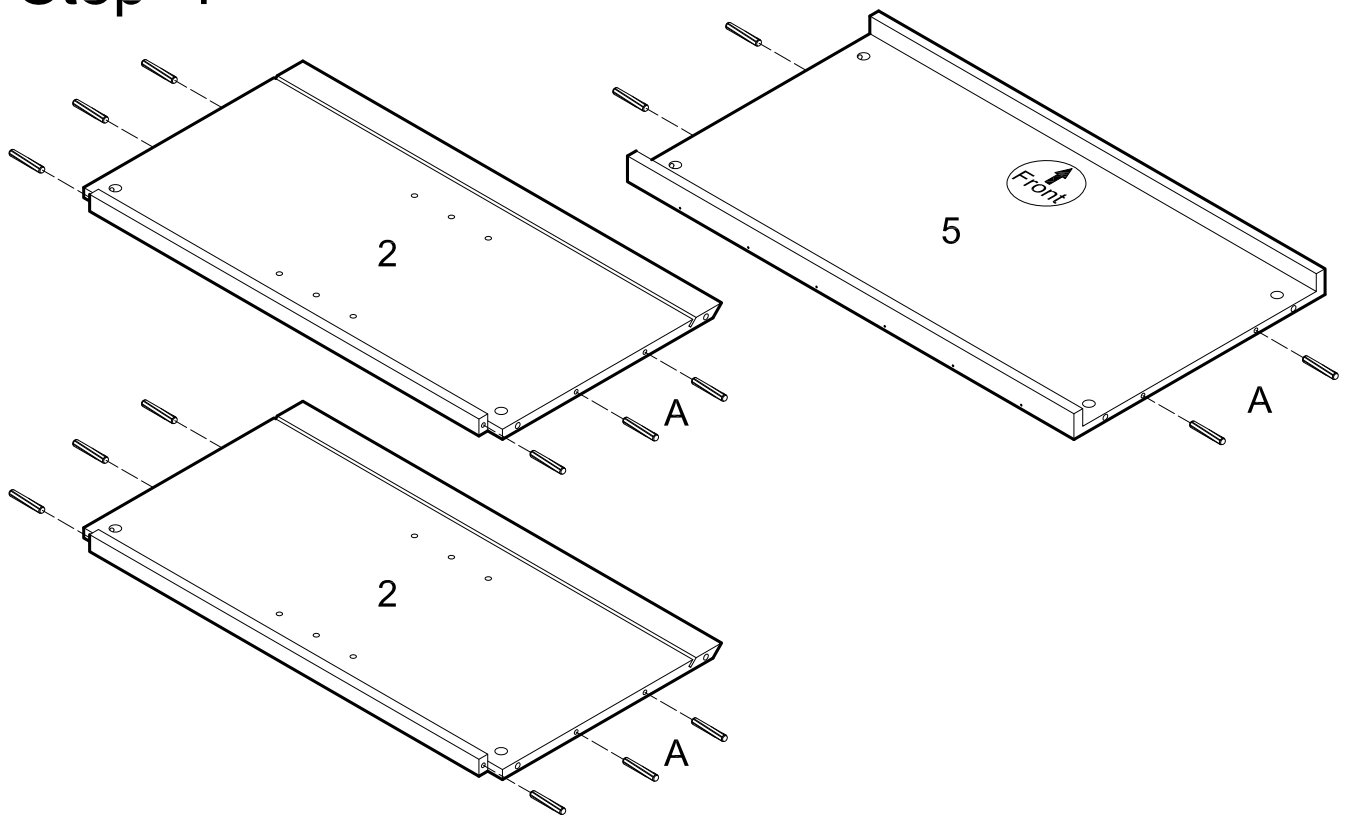


# Hardware List

A		Ø6x30mm	Wood dowel	32 pcs
B		Ø6x32mm	Cam bolt	26 pcs
C		Ø15x9.5mm	Cam lock	26 pcs
D			Handle	2 pcs
E		Ø9mmx5/32"x3/4"	Bolt	2 pcs
F			Shelf support pin	12 pcs
G			Hinge	4 pcs
H		Ø4x12	Screw	16 pcs
J		Ø7x3x12mm	Screw	6 pcs
K			Sticker	26 pcs
L			Glue tube	2 pcs
M			Touch-up marker	1 pc

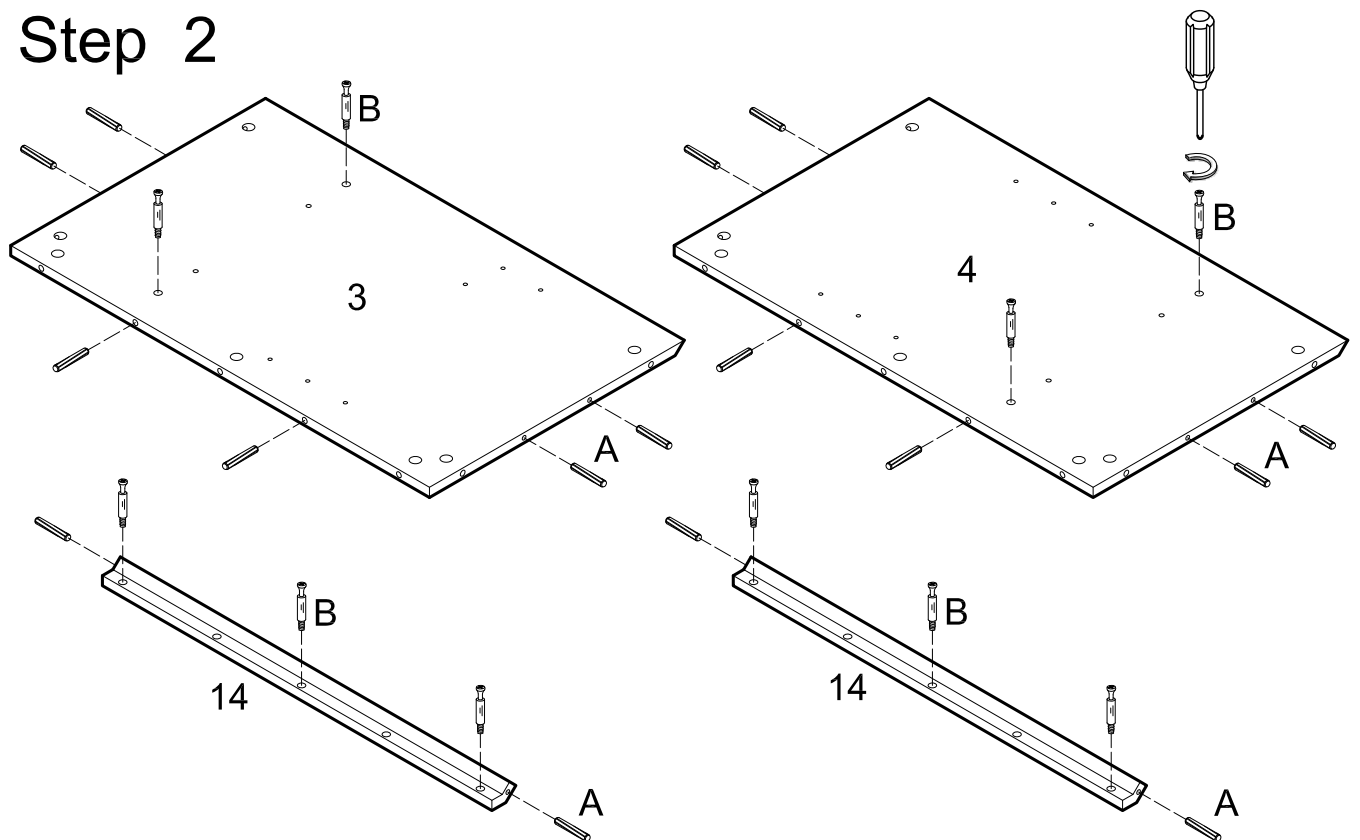
*The hardware quantities listed above are required for proper assembly.  
Some extra hardware may also have been included.*

# Step 1



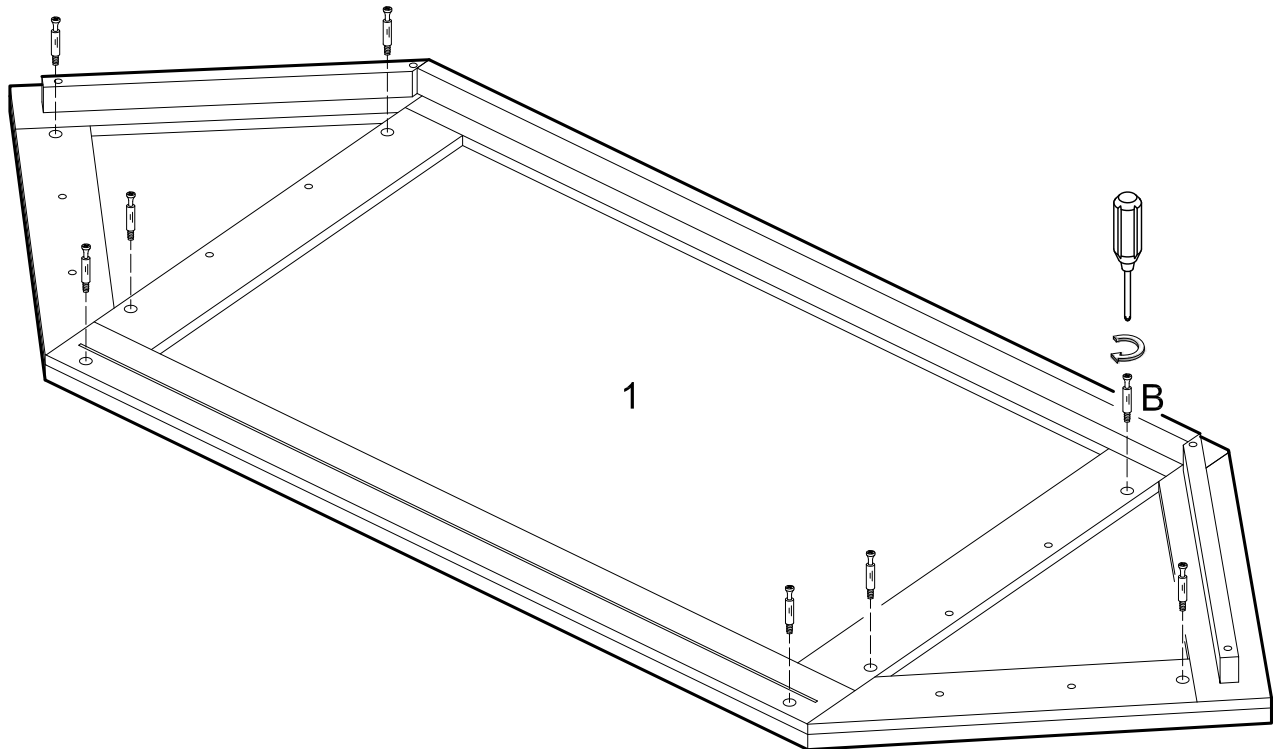
Insert dowels (A) into panels (2,5).

# Step 2



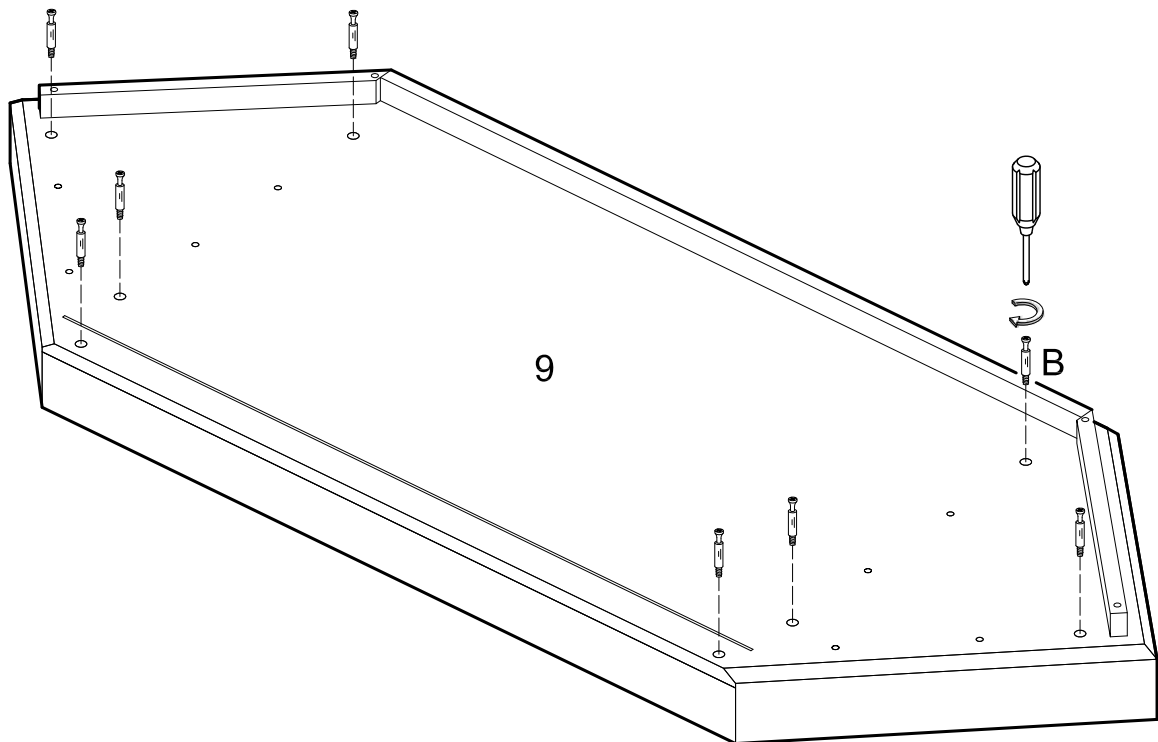
Insert dowels (A) into panels (3,4) and slats (14). Screw cam bolts (B) into panels (3,4) and slats (14).

## Step 3



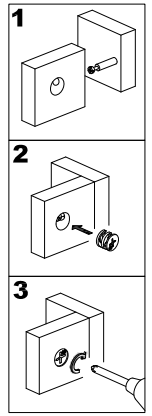
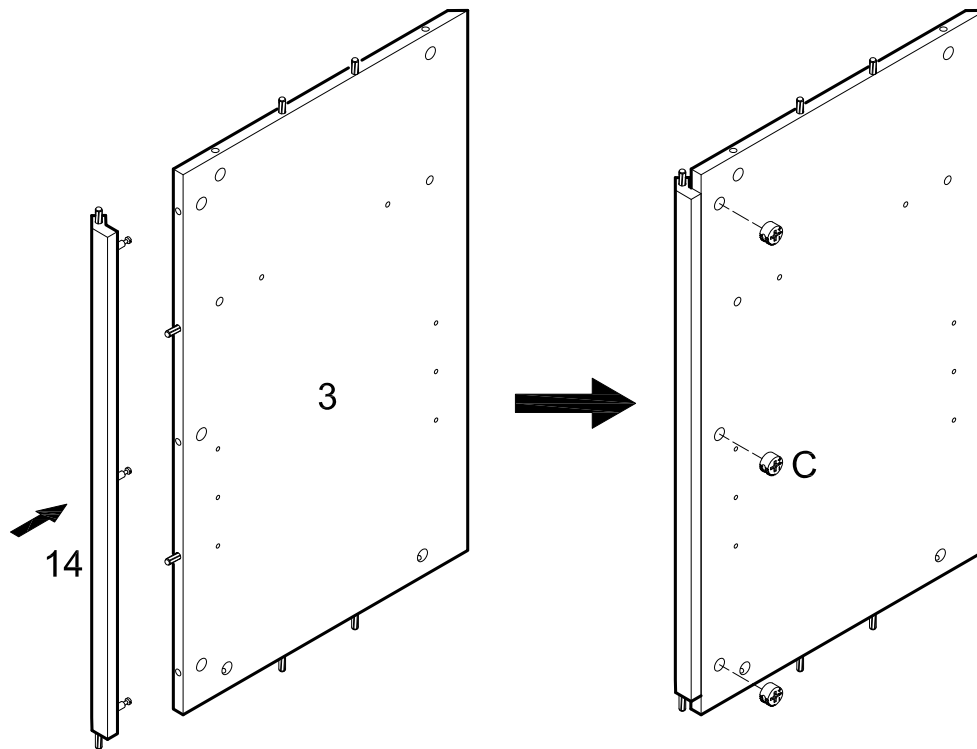
Screw cam bolts (B) into top panel (1).

## Step 4



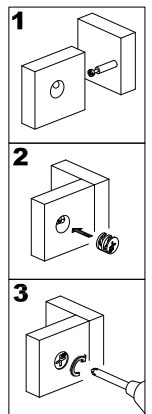
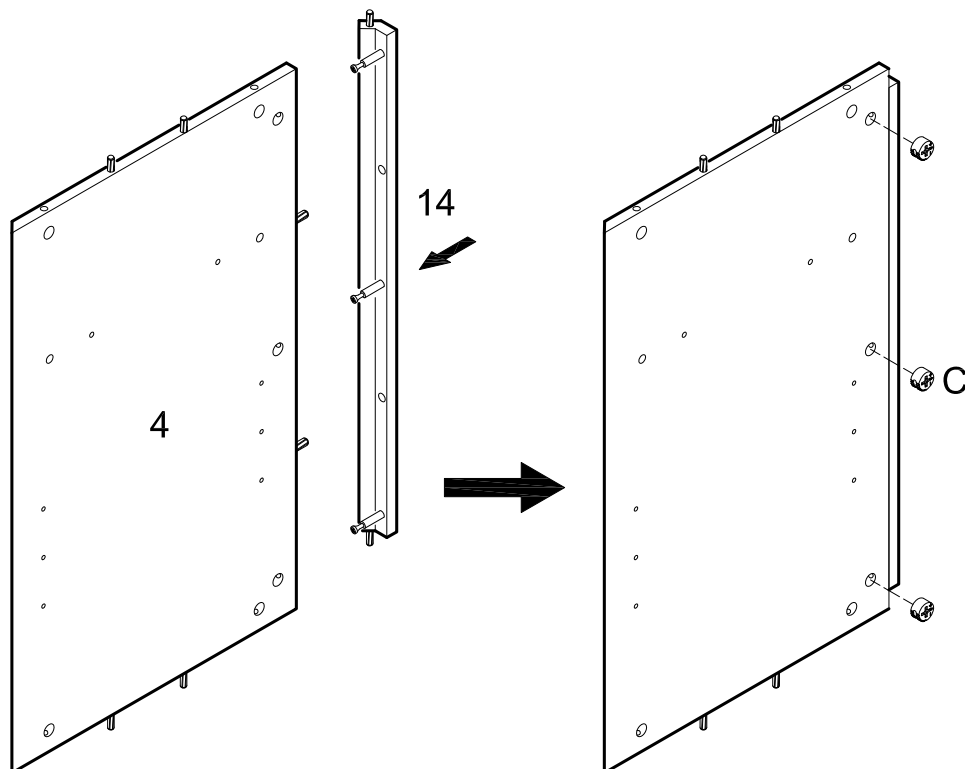
Screw cam bolts (B) into bottom panel (9).

## Step 5



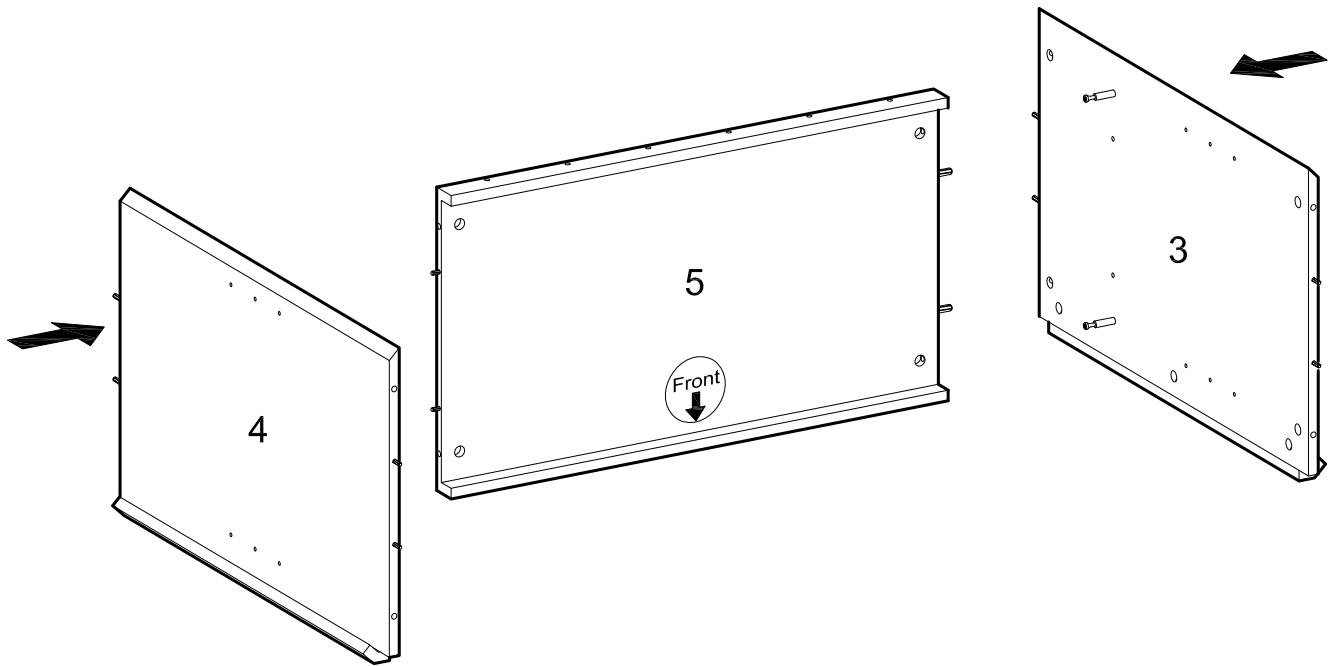
Attach slat (14) to panel (3) using cam bolts and dowels as guides. Secure the two pieces together using cam locks (C). Tighten cam locks (C) with a screwdriver.

## Step 6



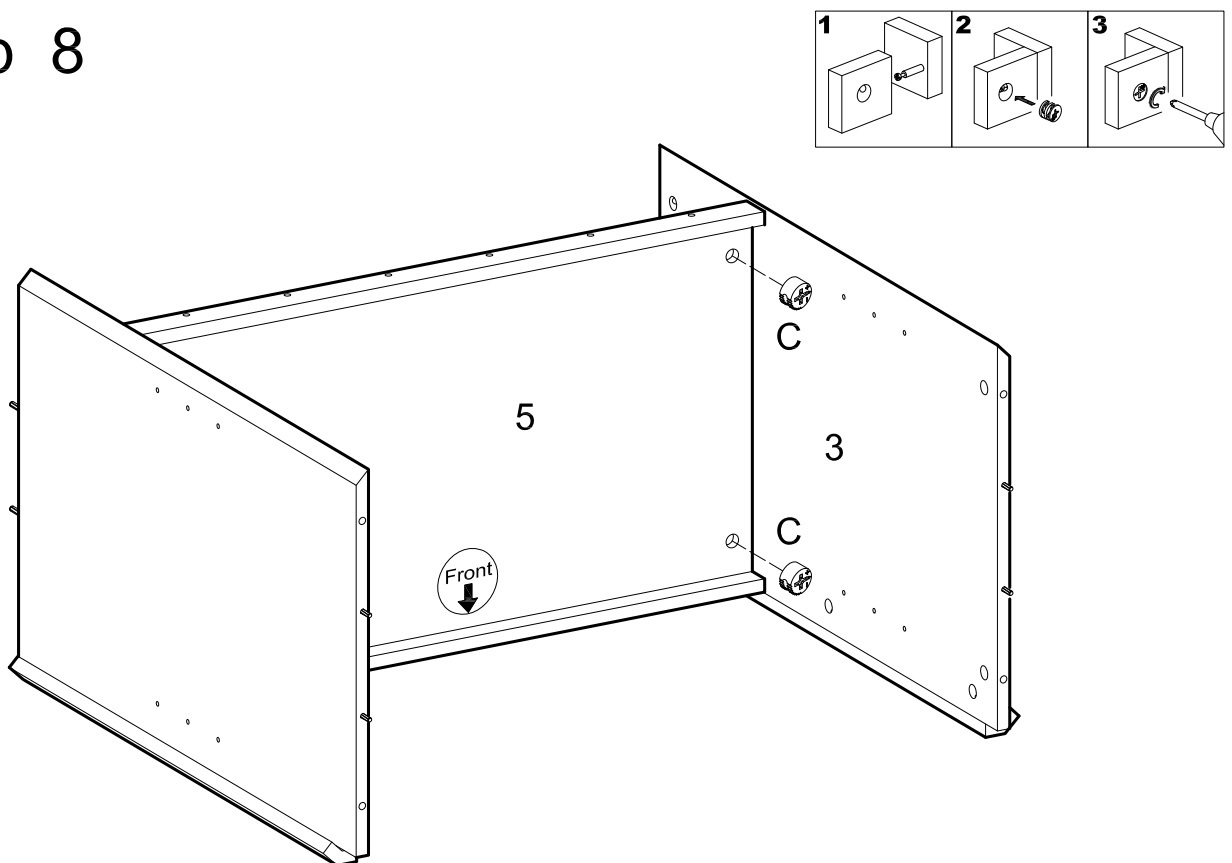
Attach slat (14) to panel (4) using cam bolts and dowels as guides. Secure the two pieces together using cam locks (C). Tighten cam locks (C) with a screwdriver.

## Step 7



Attach panels (3,4) to panel (5) using cam bolts and dowels as guides.

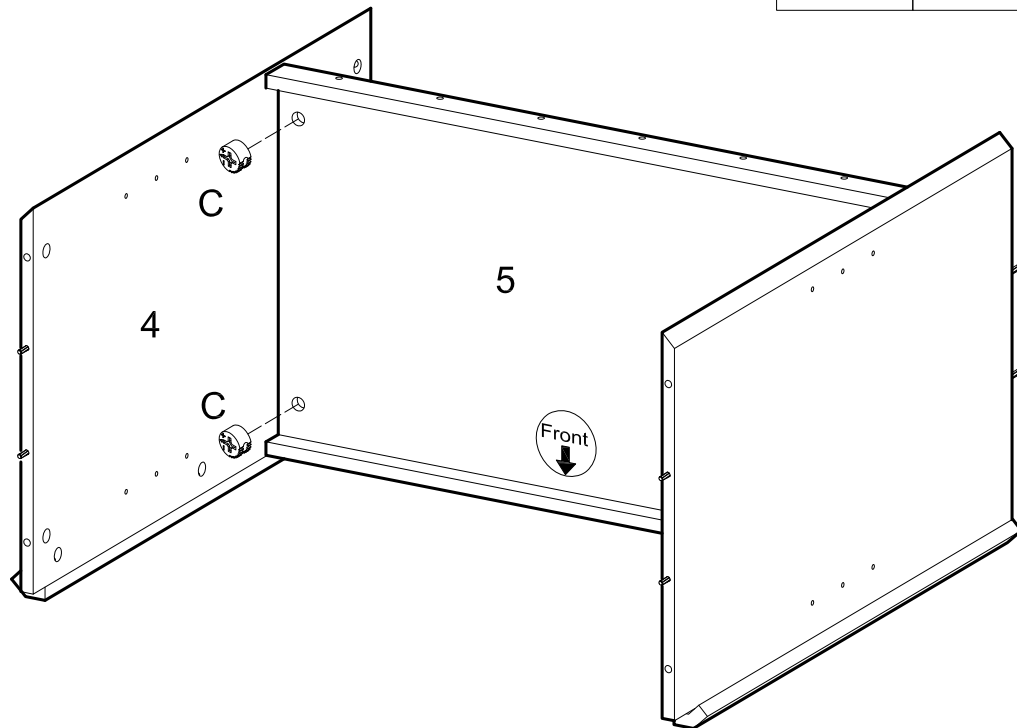
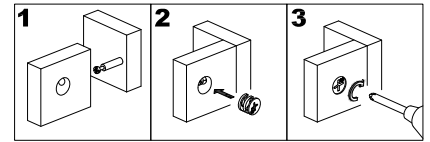
## Step 8



Secure panel (3) to panel (5) using cam locks (C). Tighten cam locks (C) with a screwdriver.

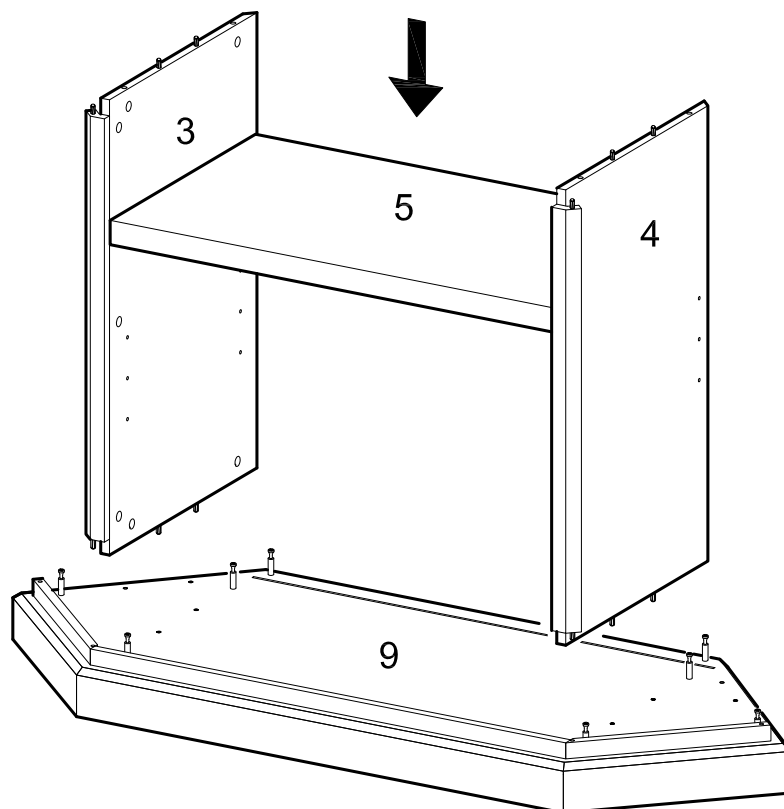


## Step 9



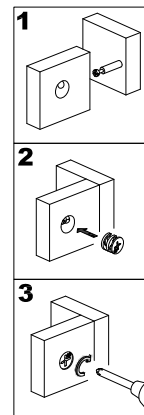
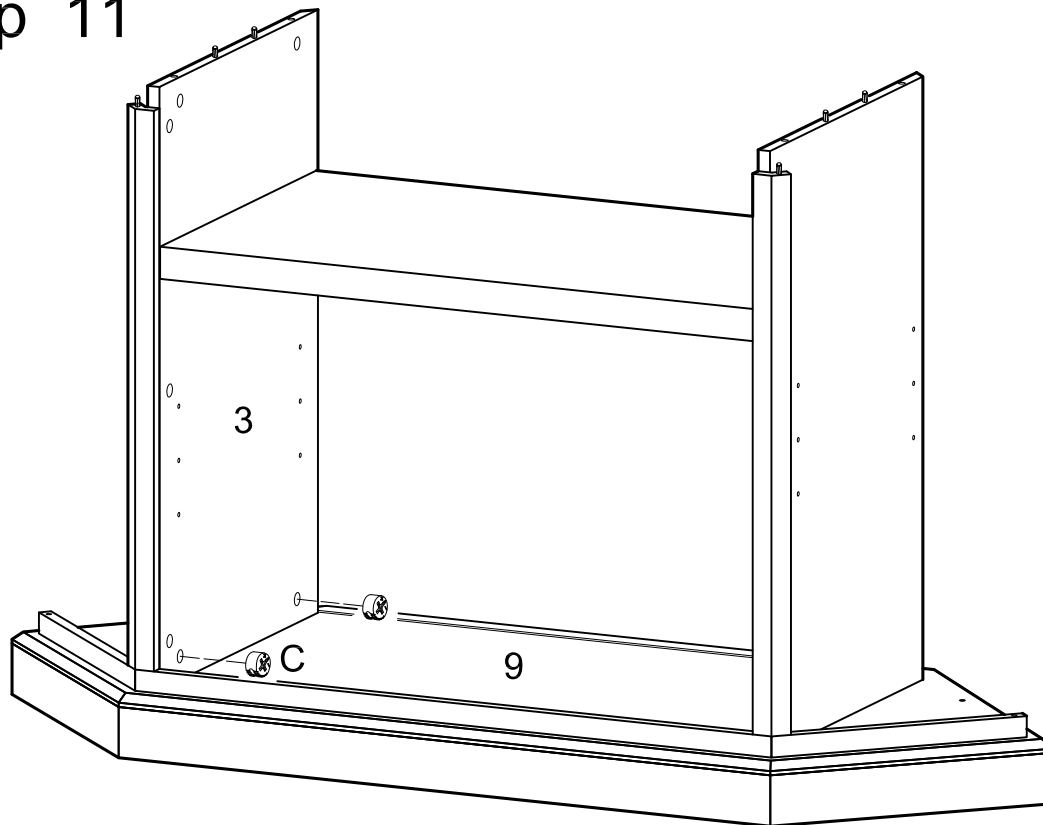
Secure panel (4) to panel (5) using cam locks (C). Tighten cam locks (C) with a screwdriver.

## Step 10



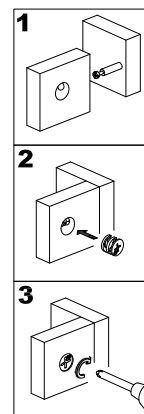
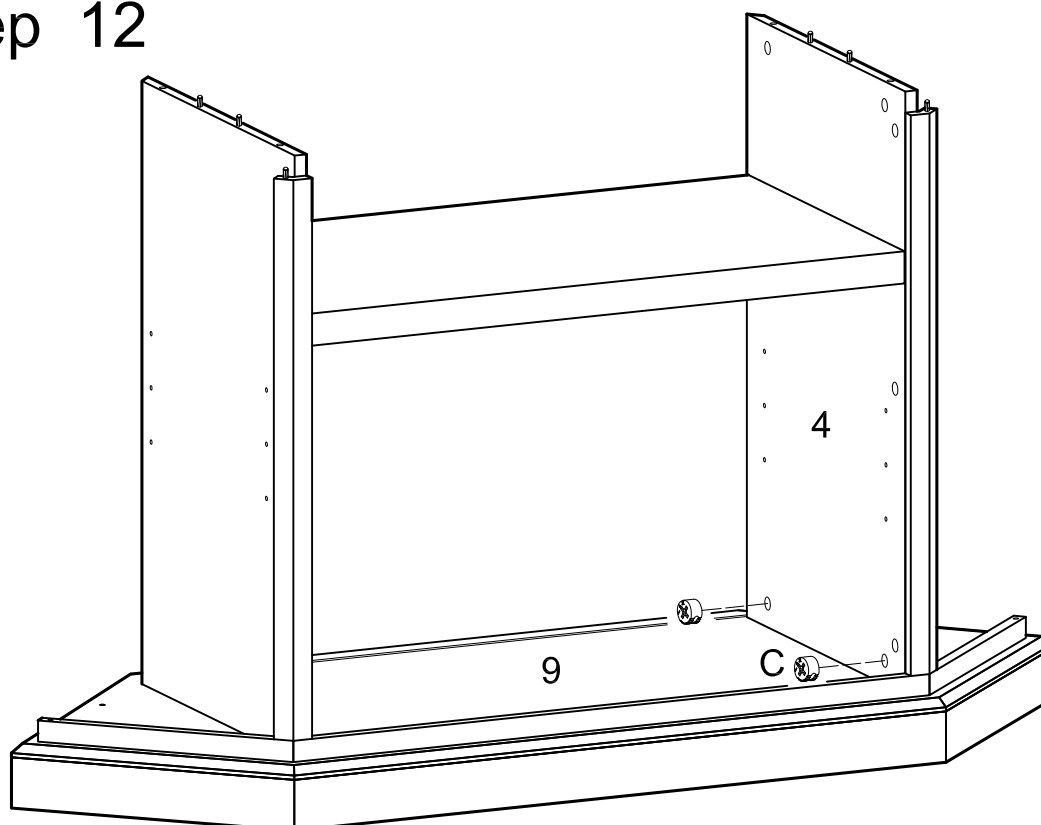
Attach the panel assembly from the previous step to bottom panel (9) using cam bolts and dowels as guides.

## Step 11



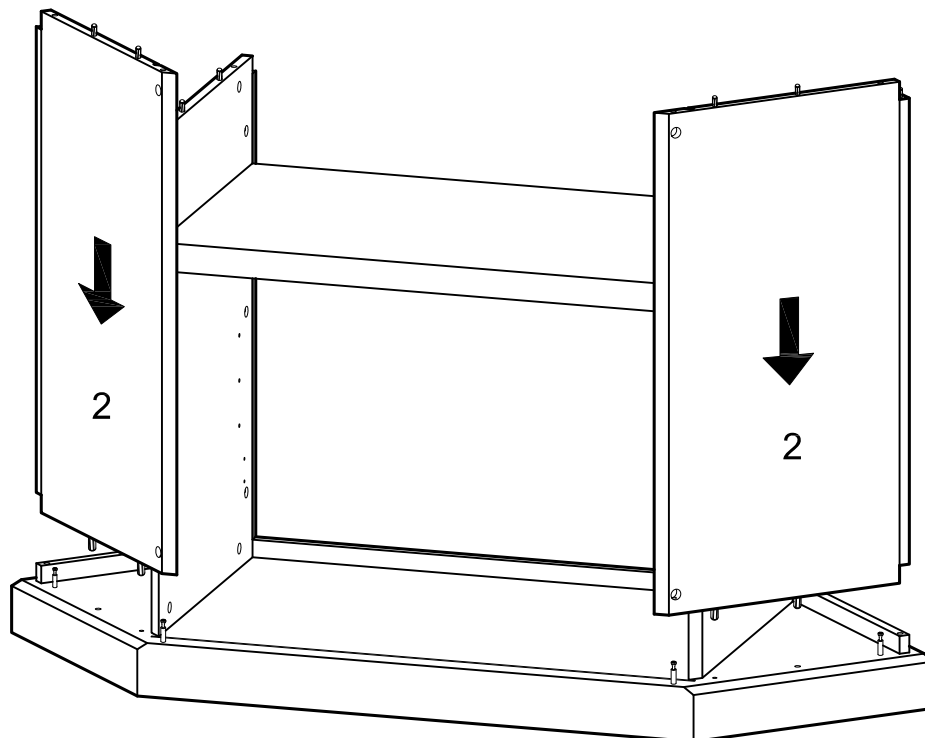
Secure panel (3) to bottom panel (9) using cam locks (C). Tighten cam locks (C) with a screwdriver.

## Step 12



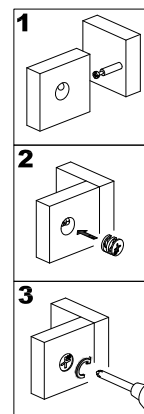
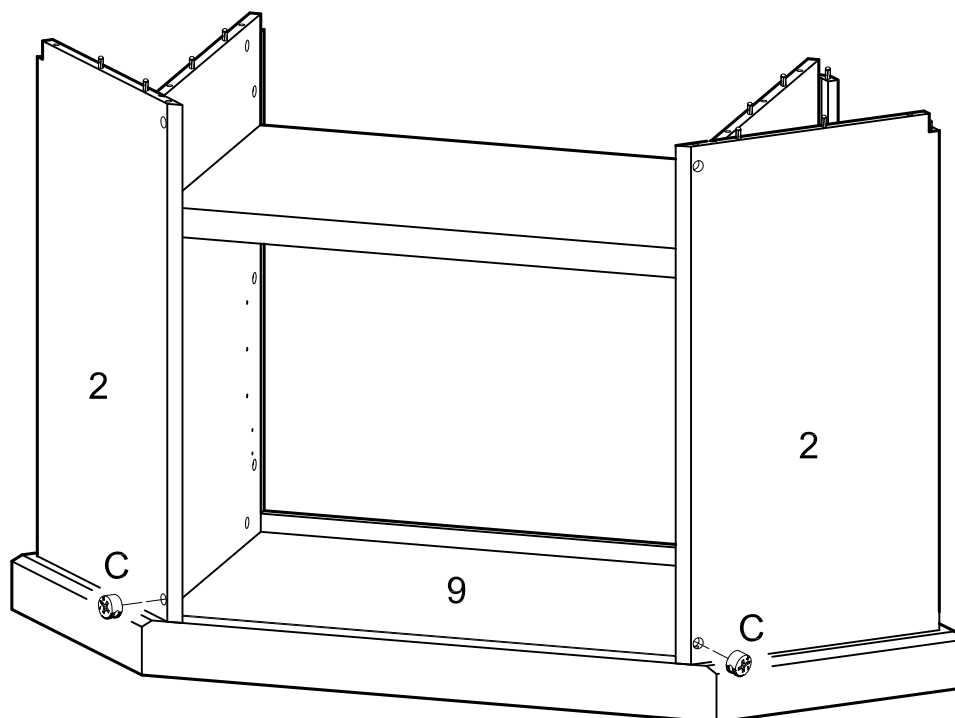
Secure panel (4) to bottom panel (9) using cam locks (C). Tighten cam locks (C) with a screwdriver.

## Step 13



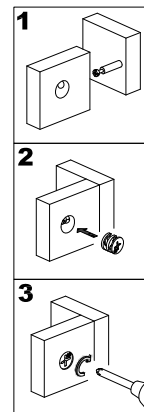
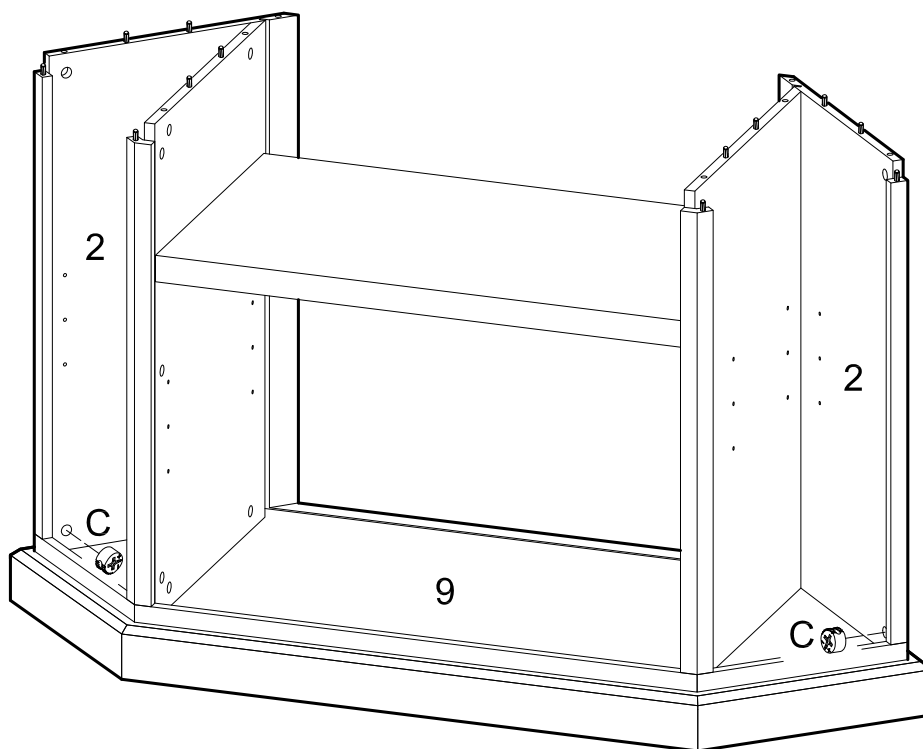
Carefully slide panels (2) into place using cam bolts and dowels as guides.

## Step 14



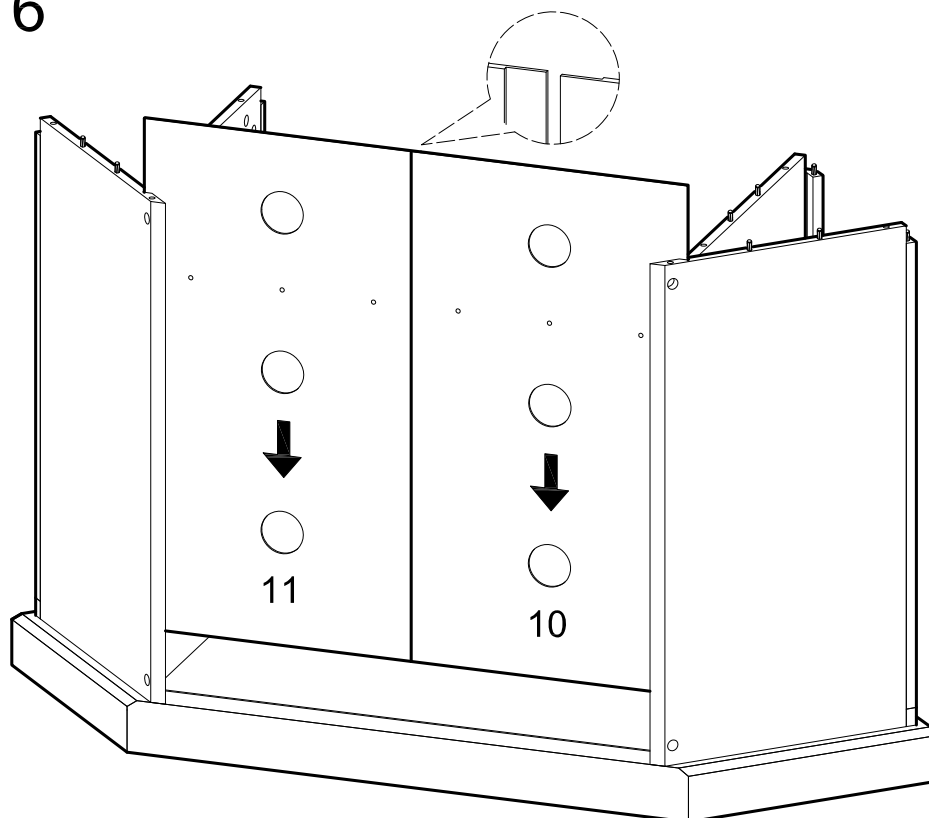
Secure panels (2) to bottom panel (9) using cam locks (C). Tighten cam locks (C) with a screwdriver.

## Step 15



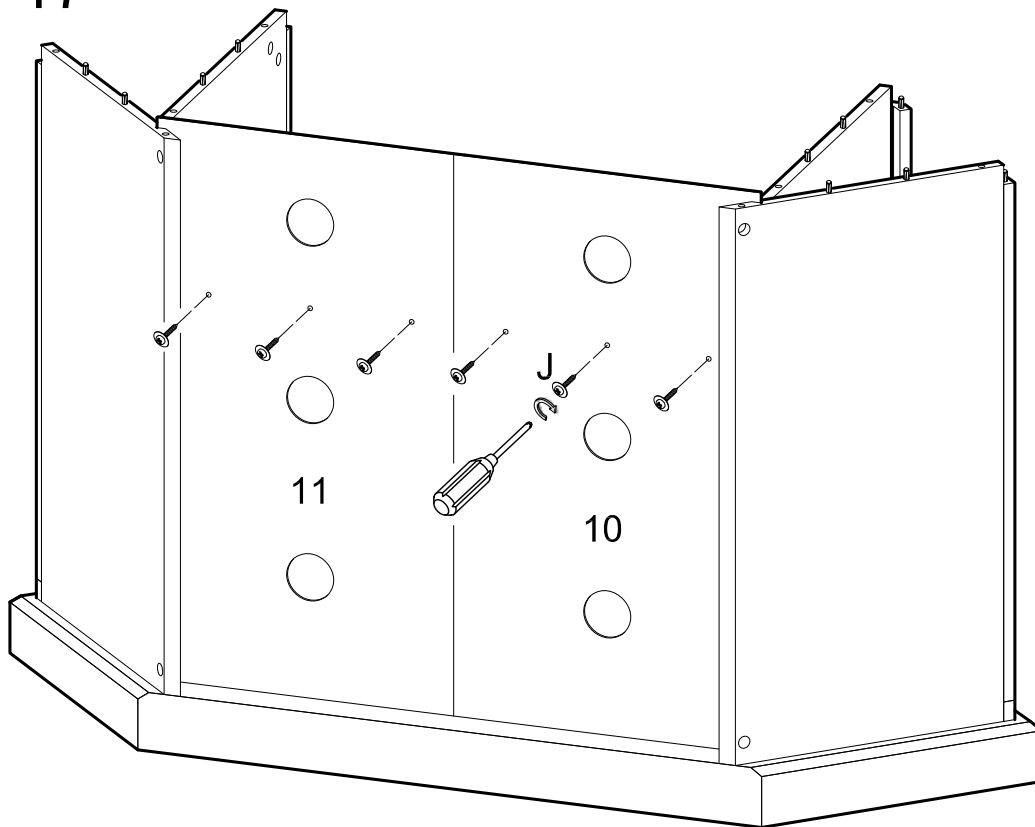
On opposite side of console, secure panels (2) to bottom panel (9) using cam locks (C). Tighten cam locks (C) with a screwdriver.

## Step 16



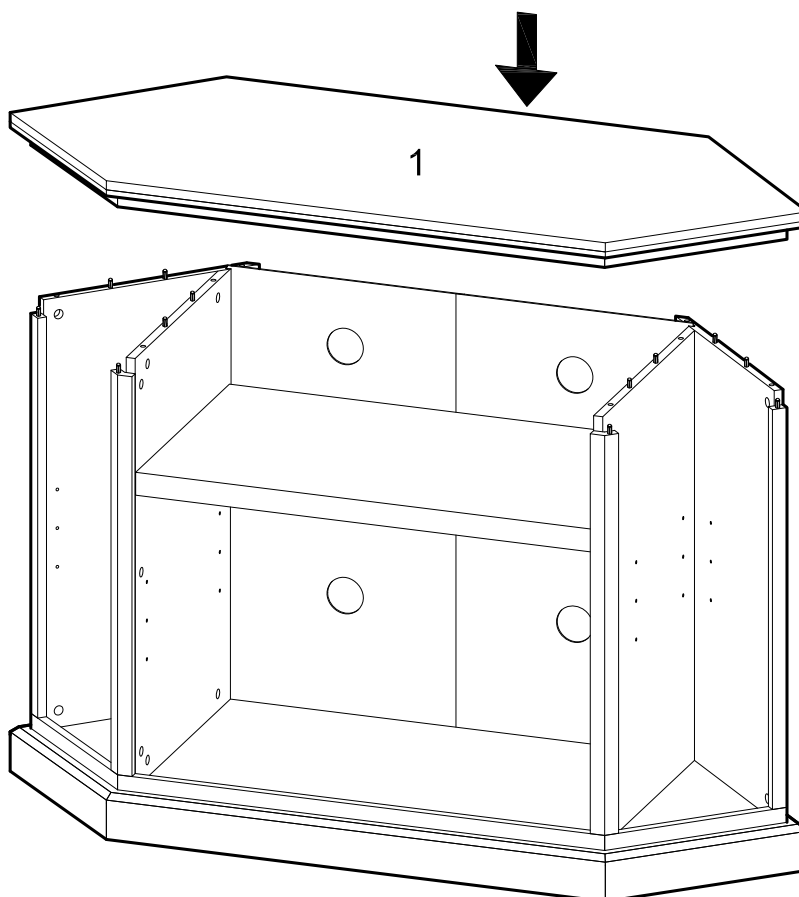
Carefully slide back panels (10,11) into place along back side of console. *Panels (10,11) will overlap slightly as shown in insert above.*

## Step 17



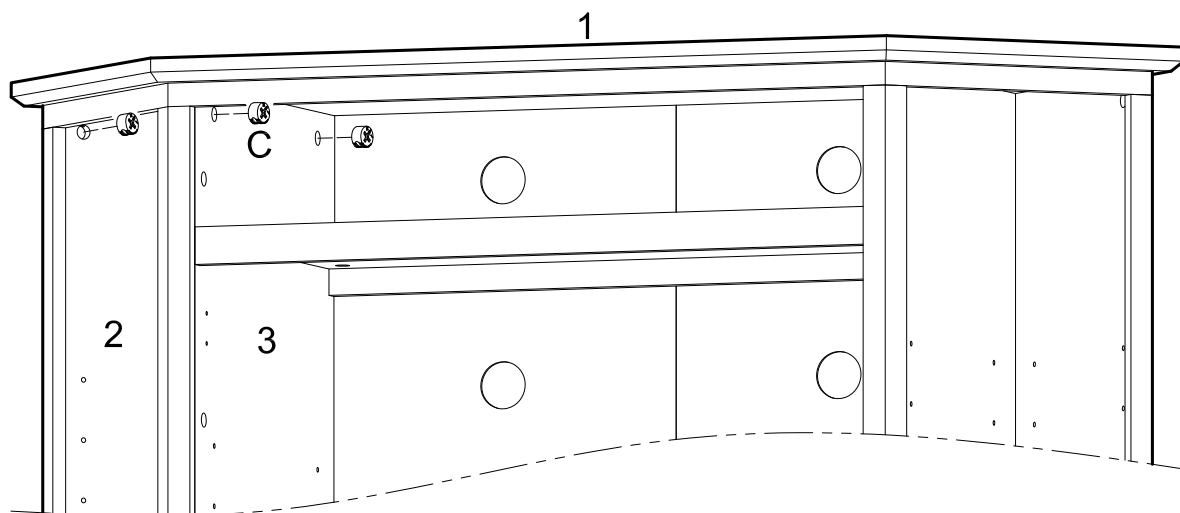
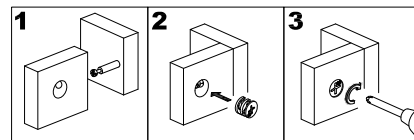
Secure back panels (10,11) to the console using screws (J).

## Step 18



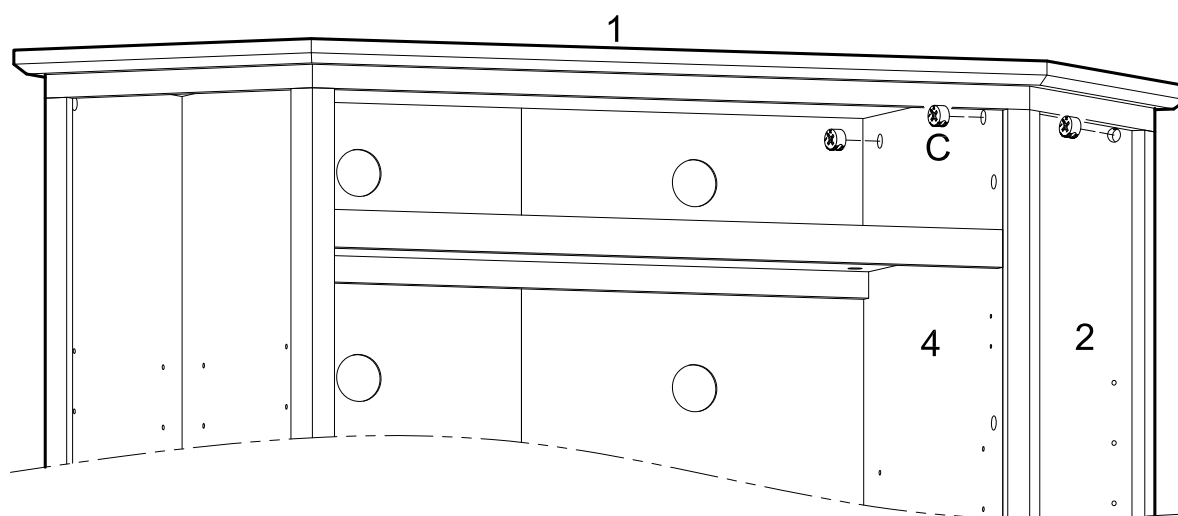
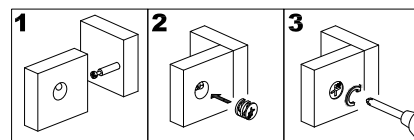
Carefully fit top panel (1) into place using cam bolts and dowels as guides.

# Step 19



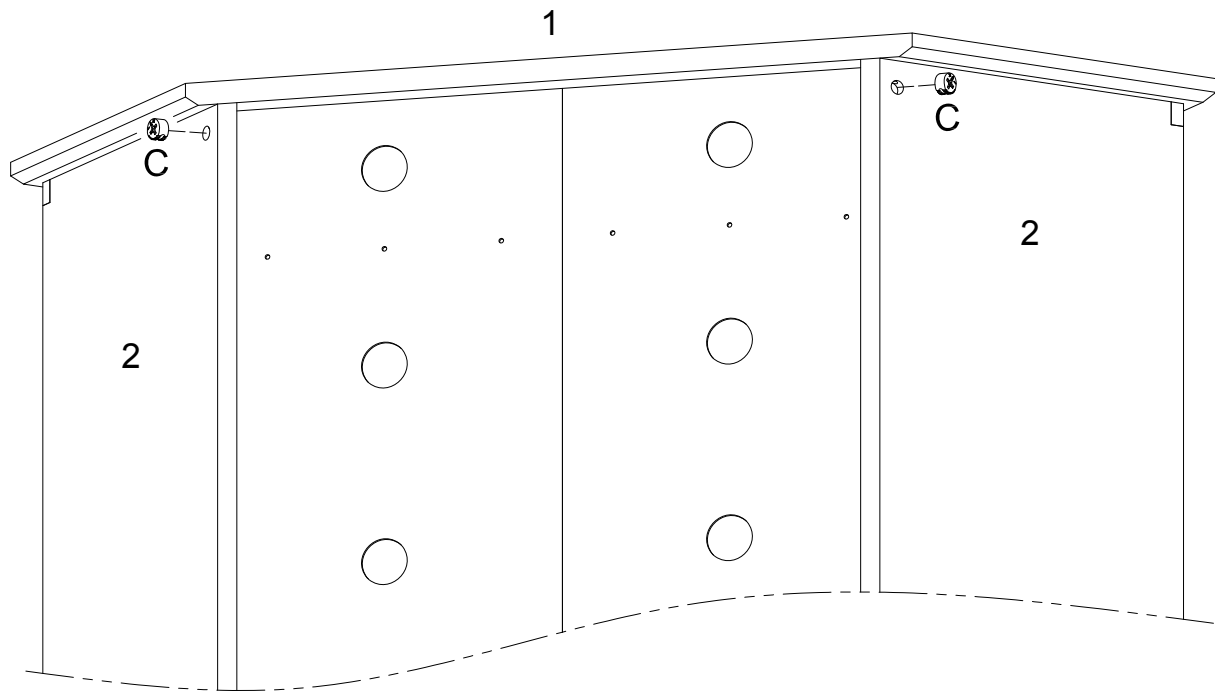
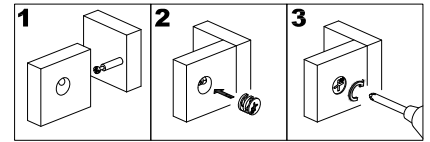
Secure top panel (1) to panels (2,3) using cam locks (C). Tighten cam locks (C) with a screwdriver.

# Step 20



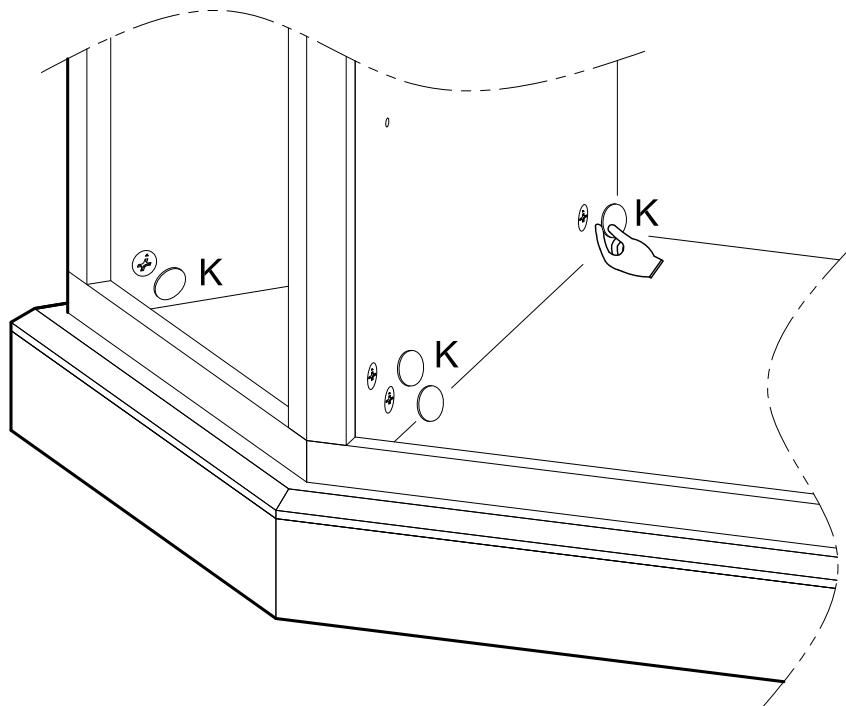
Secure top panel (1) to panels (2,4) using cam locks (C). Tighten cam locks (C) with a screwdriver.

## Step 21



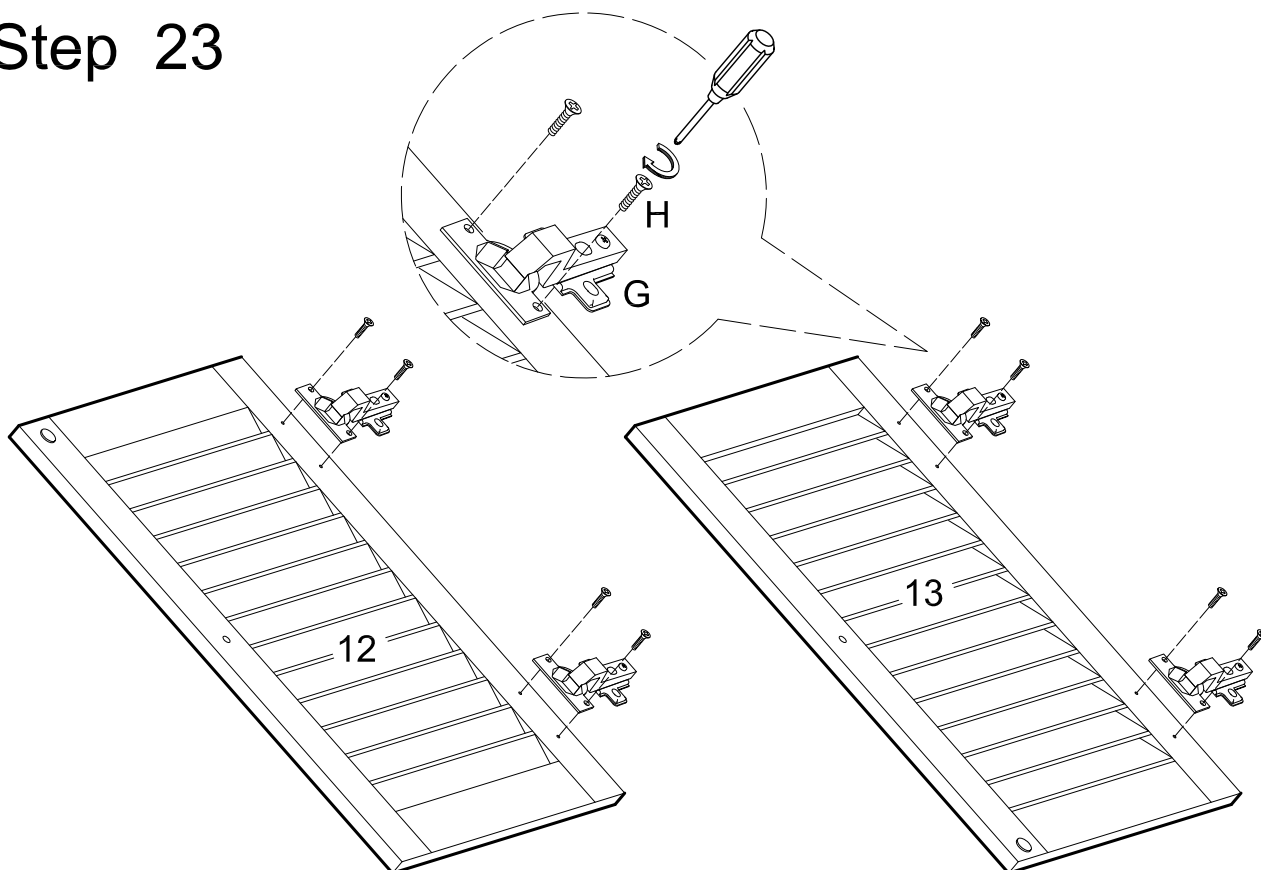
On back side of console, secure top panel (1) to panels (2) using cam locks (C). Tighten cam locks (C) with a screwdriver.

## Step 22



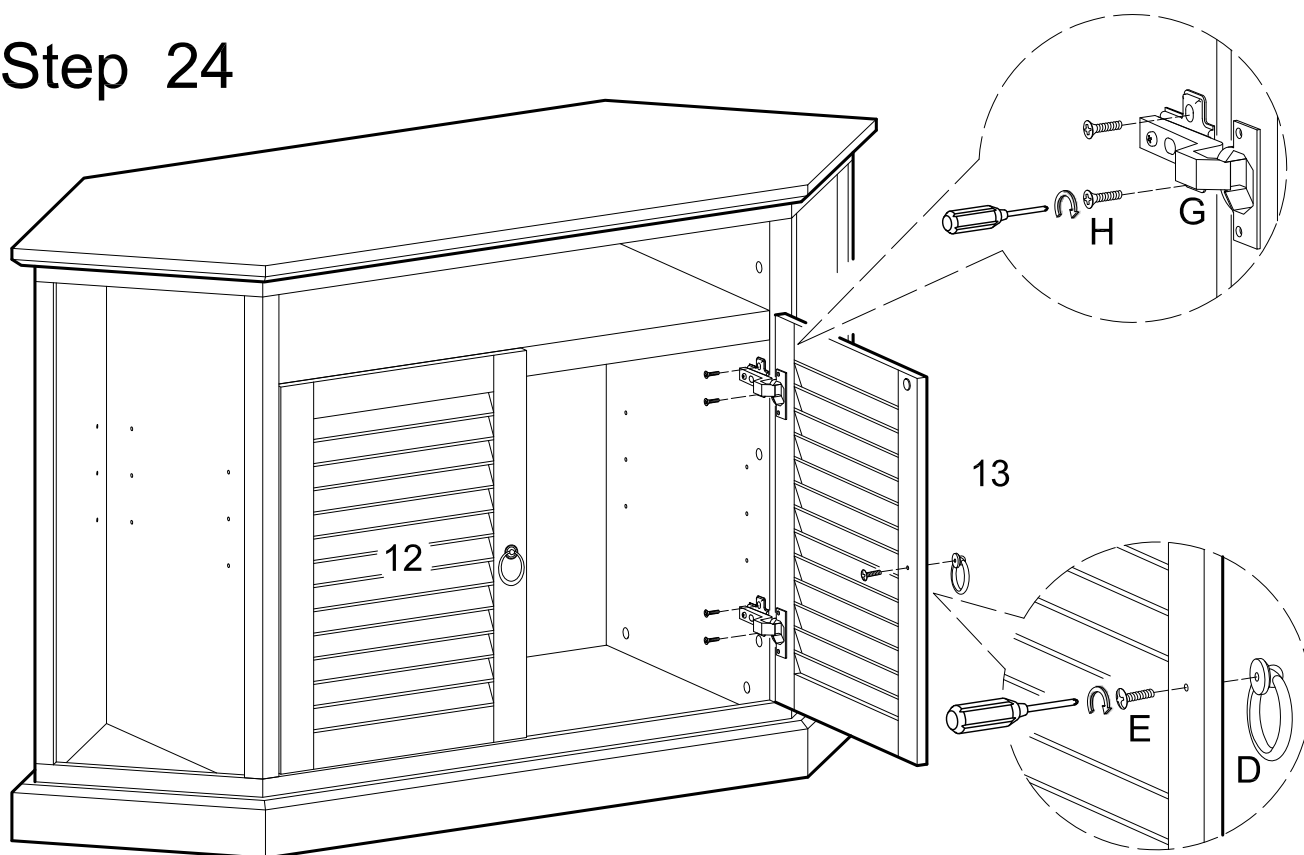
Cover all visible cam locks with stickers (K) as desired.

## Step 23



Attach hinges (G) to doors (12,13) using screws (H).

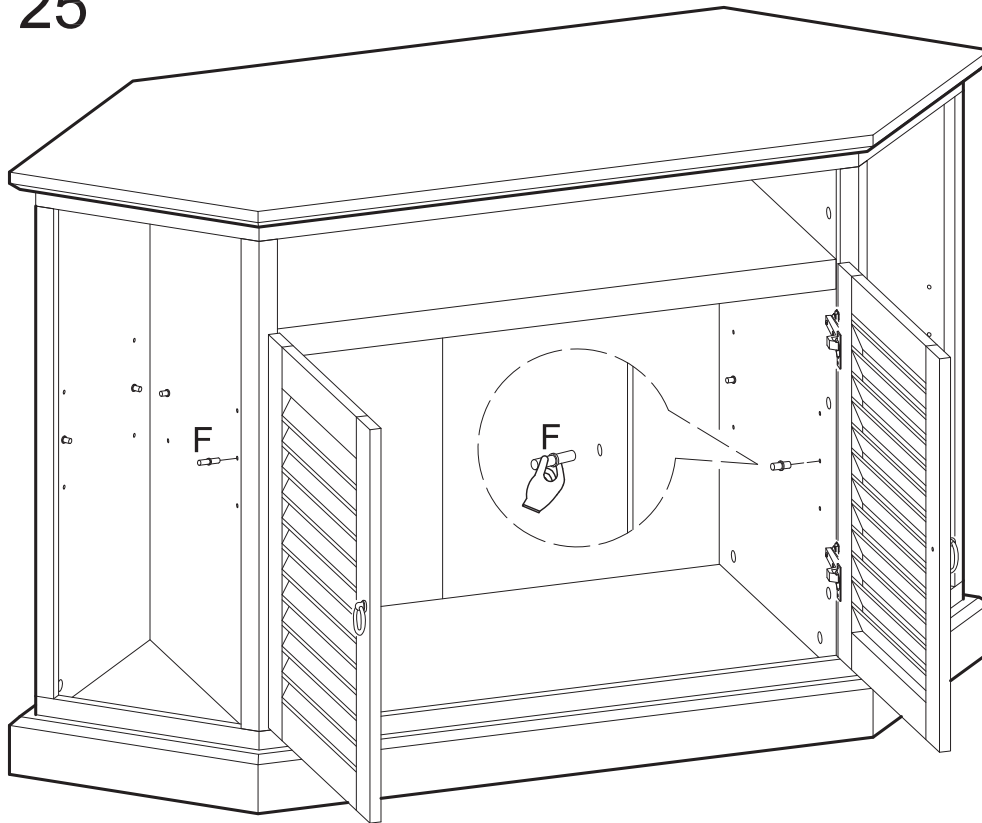
## Step 24



Attach doors (12,13) to the console using screws (H) at hinges (G). See page 2 for specific instructions on how to adjust hinges so doors are aligned with console as desired. Attach handles (D) to doors (12,13) using bolts (E).

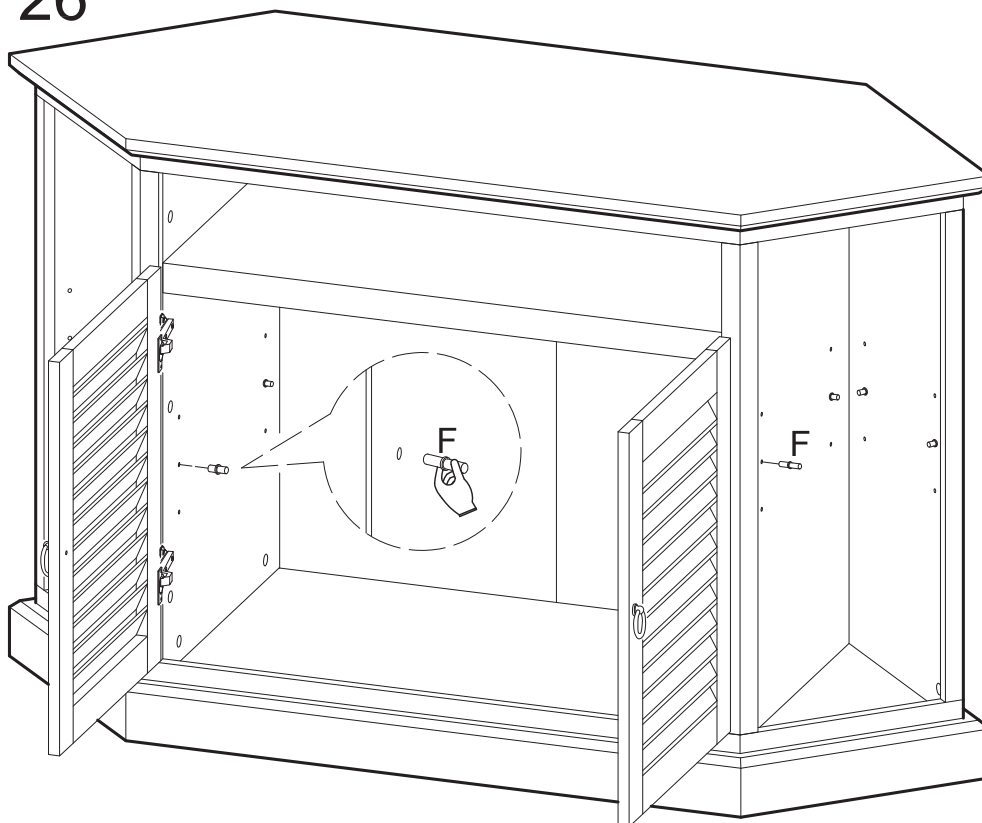


## Step 25



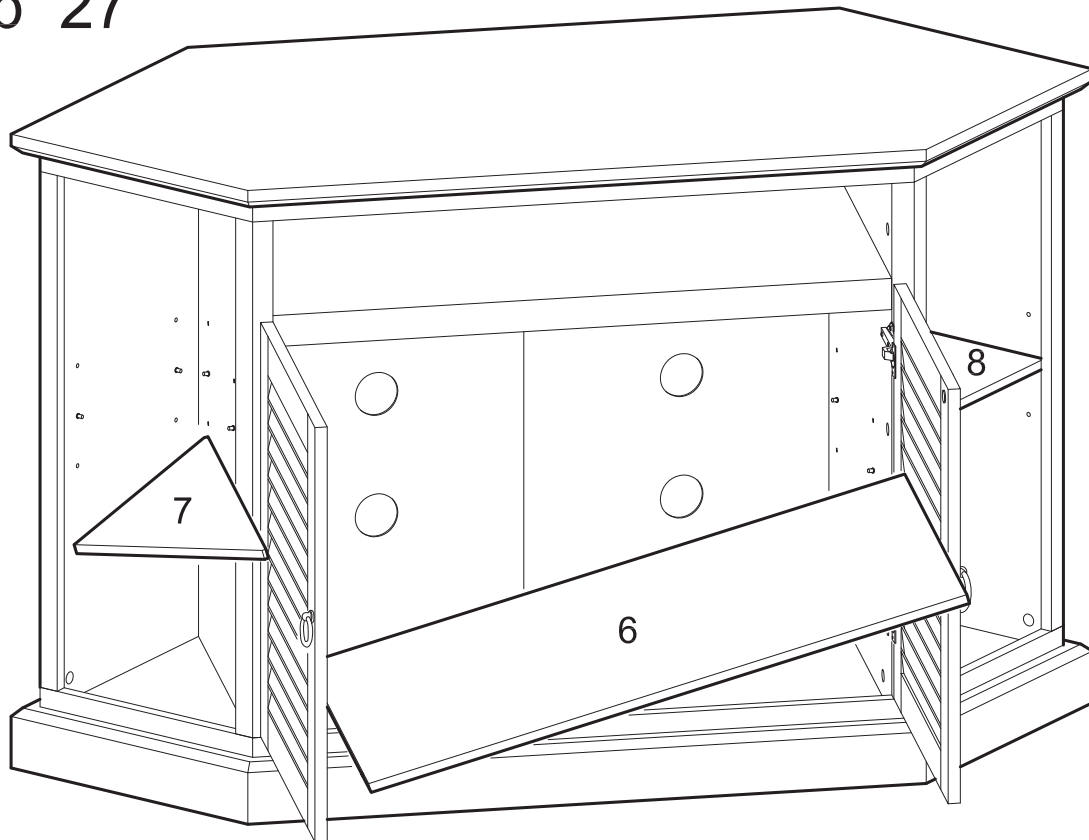
Insert shelf support pins (F) into console at desired shelf heights.

## Step 26



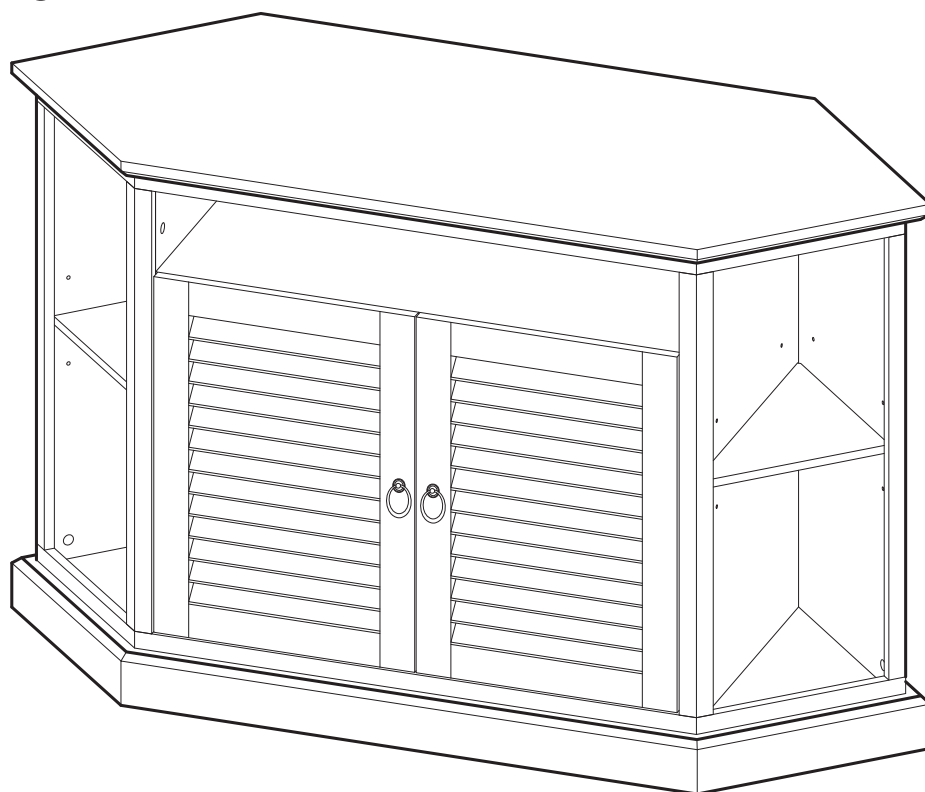
Insert shelf support pins (F) into console at desired shelf heights.

## Step 27



Carefully place shelves (6,7,8) into console. *Shelves (6,7,8) will rest on the shelf support pins.*

## Step 28



### Final Assembly

## Free Manuals Download Website

<http://myh66.com>

<http://usermanuals.us>

<http://www.somanuals.com>

<http://www.4manuals.cc>

<http://www.manual-lib.com>

<http://www.404manual.com>

<http://www.luxmanual.com>

<http://aubethermostatmanual.com>

Golf course search by state

<http://golfingnear.com>

Email search by domain

<http://emailbydomain.com>

Auto manuals search

<http://auto.somanuals.com>

TV manuals search

<http://tv.somanuals.com>