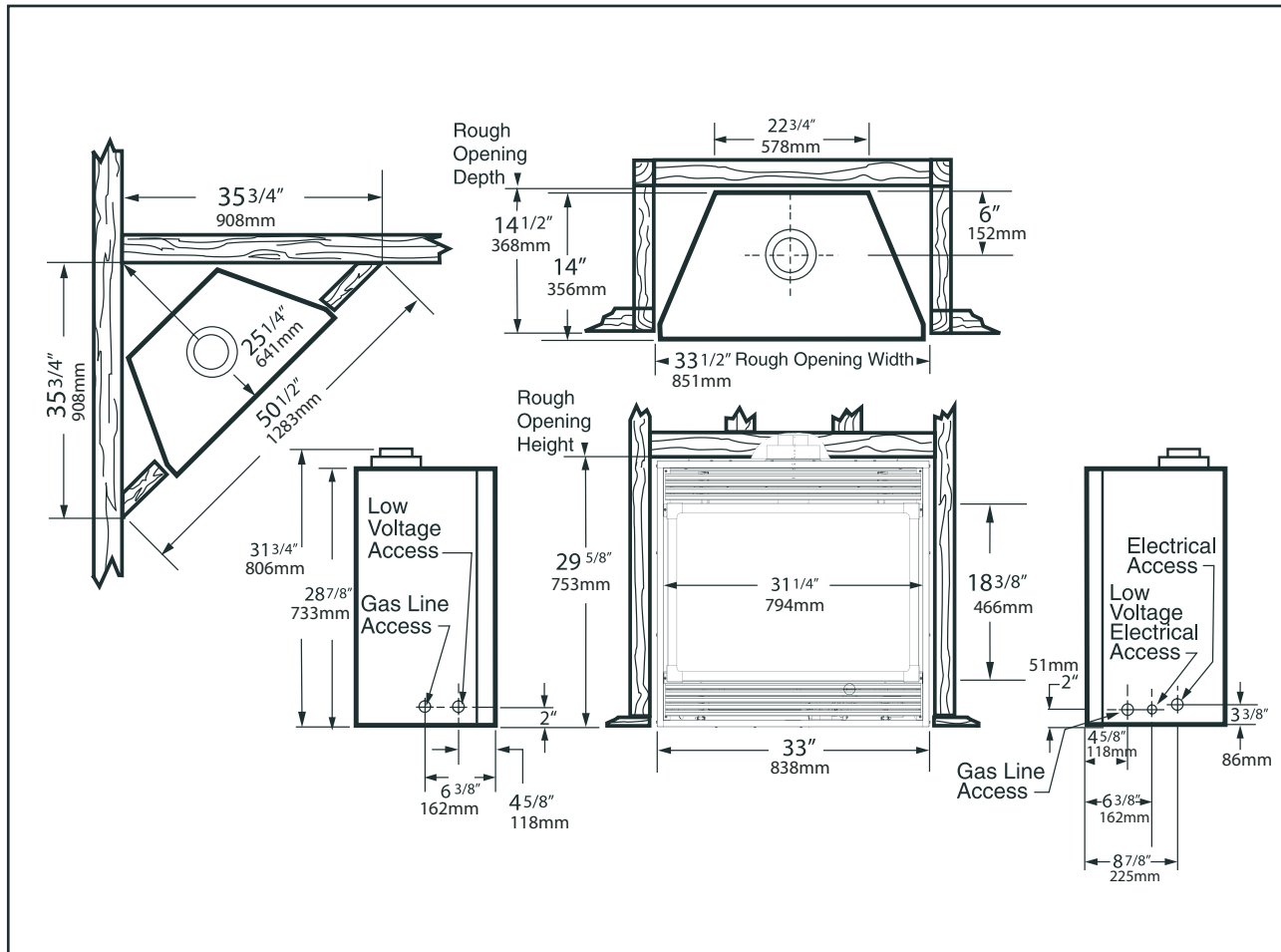
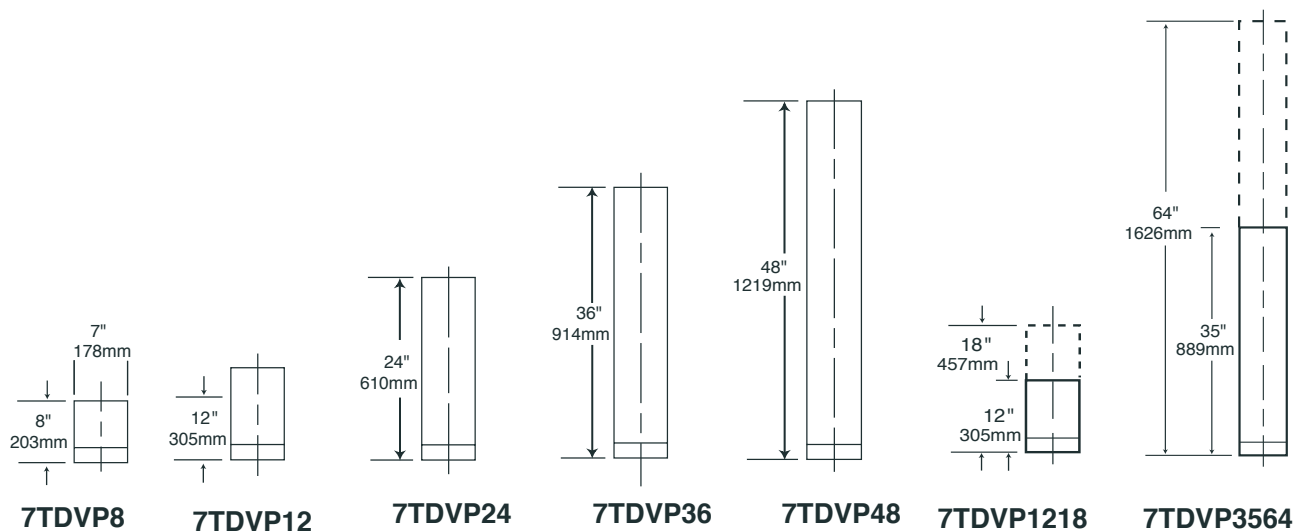


FIREPLACE & CHIMNEY COMPONENT SPECIFICATIONS

PERFECTVIEW 33LDVT TOP VENT

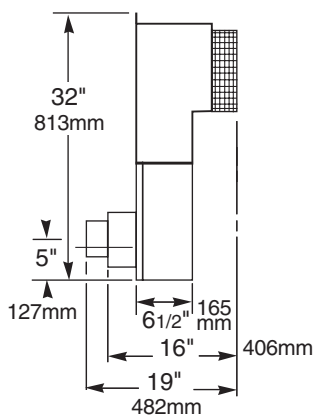


VENT SECTIONS and OFFSETTING ELBOWS

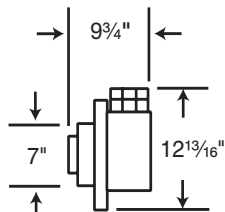


NOTE: THE INSTALLED LENGTH OF ANY VENTING SECTION IS $1\frac{1}{2}"$ LESS THAN ITS TOTAL LENGTH, EXCEPT FOR THE LAST SECTION INSTALLED.

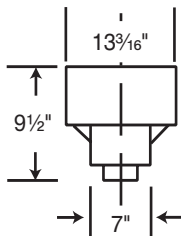
CONTEMPORARY TERMINATIONS



7TDVSKS

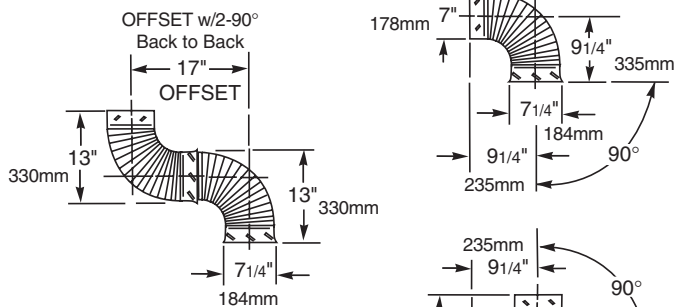


**7TDVRVT
7TRVT**



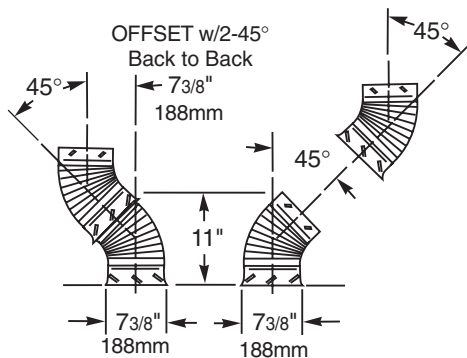
7TDVSKV

ELBOWS



7TDVRT90

FP889



7TDV45

FP890

FIREPLACE FACTS

PerfectView 33LDVT

33" PerfectView Direct Vent Gas Appliance

FEATURES:

- 33" PerfectView Direct Vent Gas Appliance
- 11,200 to 16,000 BTU/hr. input
- Patented Insta-Flame™ Ceramic Burner System with 4-piece Split Oak Ceramic Fiber Log Set
- Tempered Glass Panel Assembly
- Adjustable Flame and Heat Output
- Wall Switch
- 18" Flex Connector with Shutoff and EB1 electrical box installed
- Wall Firestop, Zero Clearance Sleeve (Rear vent models only)
- Rated as Fireplace Heater (AFUE)
- Uses 4"/7" Majestic (Direct Vent) Venting Components.

BURNER SYSTEM:

- Capacity
 - Natural: 16,000 BTU/HR Max. 11,200 BTU/HR Min.
 - Propane: 16,000 BTU/HR Max. 12,000 BTU/HR Min.

- Fuel - Natural or Propane Gas
- Ignition System - Standing Pilot With Piezo Ignitor, A Low Voltage, Self-Generating Power Pile System (mV)
 - No Outside Electrical Power Needed OR
 - Electronic ignition that requires 120 VAC Electrical hook up
- Gas Supply Line - Consult Gas Code Book for Correct Sizing
- Gas Inlet and Manifold Pressures

	Natural	Propane
Minimum Inlet Pressure	5.5" w.c.	11.0" w.c.
Maximum Inlet Pressure	14" w.c.	14.0" w.c.
Manifold Pressure	3.5" w.c.	10.0" w.c.

MINIMUM FLOOR AREA:

- 33" W X 14" D

HEARTH EXTENSION:

A Hearth Extension Is Recommended But **Not Required**

ACCESSORIES:

- 33LDVTCR - 33" LDV Ceramic Refractory - Top
- FK12 - Fan and Cord (160cfm) (for RN/RP only)
- FK24 - Variable Speed Heat-Activated Fan Kit
- IMTFK - IMT Thermostat w/ Face Kit

Minimum Mantel Clearances

Mantel Depth	Clearance From Top of Combustion Chamber Opening To Bottom of Mantel
2"	8 1/2"
4"	10 1/2"
6"	12 1/2"
8"	14 1/2"
10"	16 1/2"

The Fireplace Facts Information Sheets are for quick reference only and are subject to change without notice. Actual fireplace instructions must abide by specifications provided with each product.
REV. 10/07

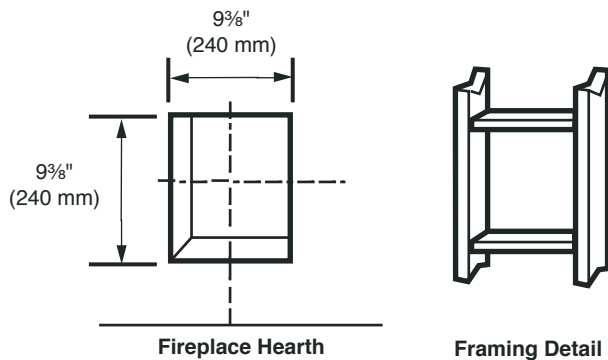


OPTIONAL ACCESSORIES (Continued): (Trim Kits continued from second page)

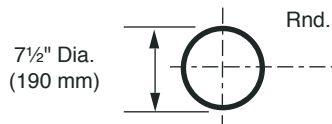
- **Louver Kits** - Additional Louver Kits (To replace all louvers in desired color, 4 sets are required) See Price List
- **Filligree Louver Kits** - See Price List
- **Perimeter Trim Kits** - See Price List
- **Face Trim Kits** - See Price List

WALL FRAMING DIMENSIONS

Vent Opening for Combustible Wall

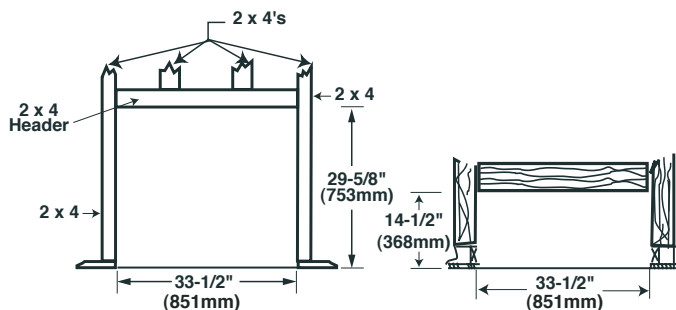


Opening for Non-combustible Wall



VO584-100

MINIMUM FRAMING DIMENSIONS



FLUE SYSTEM

7" Coaxial Direct Vent System

SPECIFICATIONS:

- 7" O.D.
- 4" I.D.

MINIMUM CLEARANCE TO COMBUSTIBLE MATERIAL

- Vertical Side Wall Applications 1" to All Sides
- Vertical thru the Roof Applications 1" to All Sides

MINIMUM COMBUSTIBLE WALL/FLOOR OPENINGS

- 9 3/8" W x 9 3/8" H for Vertical Side Wall/Vertical Applications

MAXIMUM INSTALLATION LENGTHS

- Vertical Side Wall Applications
36" (914 mm) Horizontal Vent Length with 90° elbow installed directly on top of the unit
20' (6 m) Horizontal Vent Length with 7.5' (2.29 m) vertical rise

*Refer to manual for alternative venting distance

VERTICAL THRU THE ROOF APPLICATIONS

- 8' (2.4 m) Minimum Vertical Rise
- 40' (12 m) Maximum Vertical Rise
- 2 sets of 45° Elbows can be used in Vertical rise with 8' maximum distance between elbows
- Two 90° elbows maximum for 10' (3 m) Horizontal can be installed in Vertical Applications

*Maximum angular variation for Vertical Sidewall/Vertical Application in system is total of 270°

*Refer to installation manual for all venting restrictions with elbow use

TERMINATION CLEARANCES MINIMUM

- Horizontal
 - 12" (305 mm) above Grade Level
 - 18" (458 mm) to Ventilated Soffit
 - 12" (305 mm) to Unventilated Soffit
 - 12" (305 mm) under veranda, porch, deck or balcony
- Vertical
 - 24" (610 mm) Above a Roof Surface and any other obstruction within a horizontal distance of 18" (458 mm)

*Refer to installation manual for more termination restrictions

PRODUCT LISTING

33LDVT ANSI Z21.88 - 2005/CSA 2.33 2005
Vented Gas Fireplace Heaters

This gas appliance should be installed by qualified installers in accordance with local building codes and the current National Fuel Gas code ANSI Z223.1 or CSA B 149.1 Installation code for Gas Burning Appliance and Equipment.



Free Manuals Download Website

<http://myh66.com>

<http://usermanuals.us>

<http://www.somanuals.com>

<http://www.4manuals.cc>

<http://www.manual-lib.com>

<http://www.404manual.com>

<http://www.luxmanual.com>

<http://aubethermostatmanual.com>

Golf course search by state

<http://golfingnear.com>

Email search by domain

<http://emailbydomain.com>

Auto manuals search

<http://auto.somanuals.com>

TV manuals search

<http://tv.somanuals.com>