



Rear Direct Vent Model: DVHVAC36

INSTALLER/CONSUMER SAFETY INFORMATION

**PLEASE READ THIS MANUAL
BEFORE INSTALLING AND USING
APPLIANCE**

WARNING!
**IF THE INFORMATION IN THIS
MANUAL IS NOT FOLLOWED
EXACTLY, A FIRE OR EXPLOSION
MAY RESULT CAUSING PROPERTY
DAMAGE, PERSONAL INJURY OR
LOSS OF LIFE.**

FOR YOUR SAFETY
**Installation and service must be
performed by a qualified installer,
service agency or the gas supplier.**

WHAT TO DO IF YOU SMELL GAS:

- Do not try to light any appliance.
- Do not touch any electric switch; do not use any phone in your building.
- Immediately call your gas supplier from your neighbor's phone. Follow the gas suppliers instructions.
- If you cannot reach your gas supplier call the fire department.

**DO NOT STORE OR USE
GASOLINE OR OTHER
FLAMMABLE VAPORS AND
LIQUIDS IN THE VICINITY OF THIS
OR ANY OTHER APPLIANCE.**



Homeowner's Installation and Operating Manual



**INSTALLER: Leave this manual with the appliance.
CONSUMER: Retain this manual for future reference.**

Table of Contents

PLEASE READ THE INSTALLATION & OPERATING INSTRUCTIONS BEFORE USING APPLIANCE.

Thank you and congratulations on your purchase of a CFM Corporation fireplace.

IMPORTANT: Read all instructions and warnings carefully before starting installation. Failure to follow these instructions may result in a possible fire hazard and will void the warranty.

Installation & Operating Instructions

Important Instructions	3
Fireplace Dimensions	4
Locating Your Fireplace	5
Clearance to Combustibles	5
Unit Assembly	5
Framing and Finishing	6
Supply Air Duct Systems	6
Mantel	6
Return Air Plenum	6
Air Conditioning	6
Final Finishing	7
Hearth	7
Gas Inlet and Manifold Pressures	7
High Elevations.....	7
Gas Specifications.....	7
Gas Line Installation	7
Electrical Specifications.....	8
Electrical	9

General Venting Information

General Venting	9
General Venting Information - Termination Location	10
General Information Assembling Vent Pipes	11
Twist Lock Pipes.....	11
How to Use the Vent Graph.....	12
Sidewall Venting Graph	12
Corner Installation	12
Rear Wall Venting Applications & Installation	12
Vertical Sidewall Applications & Installation.....	13
Below Grade Installation.....	16
Vertical Through-the-Roof Applications & Installation.....	17
Twist Lock Venting Components	19

Operating Instructions

General Glass Information.....	20
Louvre Removal	20
Window Frame Assembly Removal.....	20
Glass Cleaning	20
Installation of Logs, Lava Rock & Ember Material.....	21
Setting Temperature Rise	21
Lava Rock.....	21
Flame Adjustment.....	21
Emergency Heat.....	21
Flame Characteristics.....	21
Inspecting the Venting System	22
Inspecting the Venting/Heating Exchange System.....	22
Ceramic Refractory Installation	22
Lighting and Operating Instructions.....	23
Troubleshooting	24

Maintenance

Cleaning the Standing Pilot Control System.....	25
---	----

Replacement Parts

.....	26
-------	----

Optional Accessories

Decorative Bay Window	28
-----------------------------	----

Warranty

.....	29
-------	----

Energide	30
-----------------------	----

Installation & Operating Instructions

This gas fireplace should be installed by a qualified installer in accordance with local building codes and with current CSA-B149.1 Installation codes for Gas Burning Fireplaces and Equipment. For U.S.A Installations follow local codes and/or the current National Fuel Gas Code. ANSI Z223.1/NFPA 54.

In the Commonwealth of Massachusetts, all gas fitting and installation of this heater shall only be done by a licensed gas fitter or licensed plumber.

FOR SAFE INSTALLATION AND OPERATION PLEASE NOTE THE FOLLOWING:

1. This fireplace gives off high temperatures and should be located out of high traffic areas and away from furniture and draperies.
2. Children and adults should be alerted to the hazards of the high surface temperatures of this fireplace and should stay away to avoid burns or ignition of clothing.
3. Children should be carefully supervised when they are in the same room as your fireplace.
4. Under no circumstances should this fireplace be modified. Parts removed for servicing should be replaced prior to operating this fireplace again.
5. Installation and any repairs to this fireplace should be carried out by a qualified service person. A professional service person should be contacted to inspect this fireplace annually. Make it a practice to have all of your gas fireplaces checked annually. More frequent cleaning may be required due to excess lint and dust from carpeting, bedding material, etc.
6. Control compartments, burners and air passages in this fireplace should be kept clean and free of dust and lint. Make sure that the gas valve and pilot light are turned off before you attempt to clean this fireplace.
7. The venting system (chimney) of this fireplace should be checked at least once a year and if needed your venting system should be cleaned.
8. Keep the area around your fireplace clear of combustible materials, gasoline and other flammable vapor and liquids. This fireplace should not be used as a drying rack for clothing, nor should Christmas stockings or decorations be hung in the area of it.
9. Under no circumstances should any solid fuels (wood, coal, paper or cardboard etc.) be used in this fireplace.
10. The flow of combustion and ventilation air must not be obstructed in any way.
11. Whether the fireplace is installed directly on carpeting, vinyl tile or any combustible material other than wood, this fireplace must be installed on a metal or wood panel extending the full width and depth of the fireplace.
12. This fireplace requires adequate ventilation and combustion air to operate properly.
13. The unit must be adjusted to obtain a temperature rise of 25-55°F, at maximum input rate.
14. The fireplace must be electrically grounded in accordance with local codes. In the United States, all electrical and grounding must also conform to the current National Electric Code, ANSI/NFPA No. 70. In Canada, all electrical and grounding for the unit must also conform to the current Canadian Electrical Code Part 1, CSA Standard C22.1
15. Field wiring to the appliance must meet or exceed the specifications for type T wire and must withstand a minimum of 180°F temperature rise.
16. Service access must be provided for the service and replacement of the blower motor, air filter etc. The use of CFM Corporation mantels designed for this product is recommended.

IMPORTANT:

PLEASE REVIEW THE FOLLOWING CAREFULLY

It is normal for fireplaces fabricated of steel to give off some expansion and/or contraction noises during the start up or cool down cycle. Similar noises are found with your furnace heat exchanger or car engine.

It is not unusual for your CFM Corporation gas fireplace to give off some odor the first time it is burned. This is due to the curing of the paint and any undetected oil from the manufacturing process.

Please ensure that your room is well ventilated - open all windows.

It is recommended that you burn your fireplace for at least ten (10) hours the first time you use it.

The appliance may be installed in an aftermarket permanently located, manufactured (mobile) home, where not prohibited by local codes.

This appliance is only for use with the type of gas indicated on the rating plate. This appliance is not convertible for use with other gases unless a certified kit is used.

Proposition 65 Warning: Fuels used in gas, wood-burning or oil fired appliances, and the products of combustion of such fuels, contain chemicals known to the State of California to cause cancer, birth defects and other reproductive harm.
California Health & Safety Code Sec. 25249.6

Fireplace Dimensions

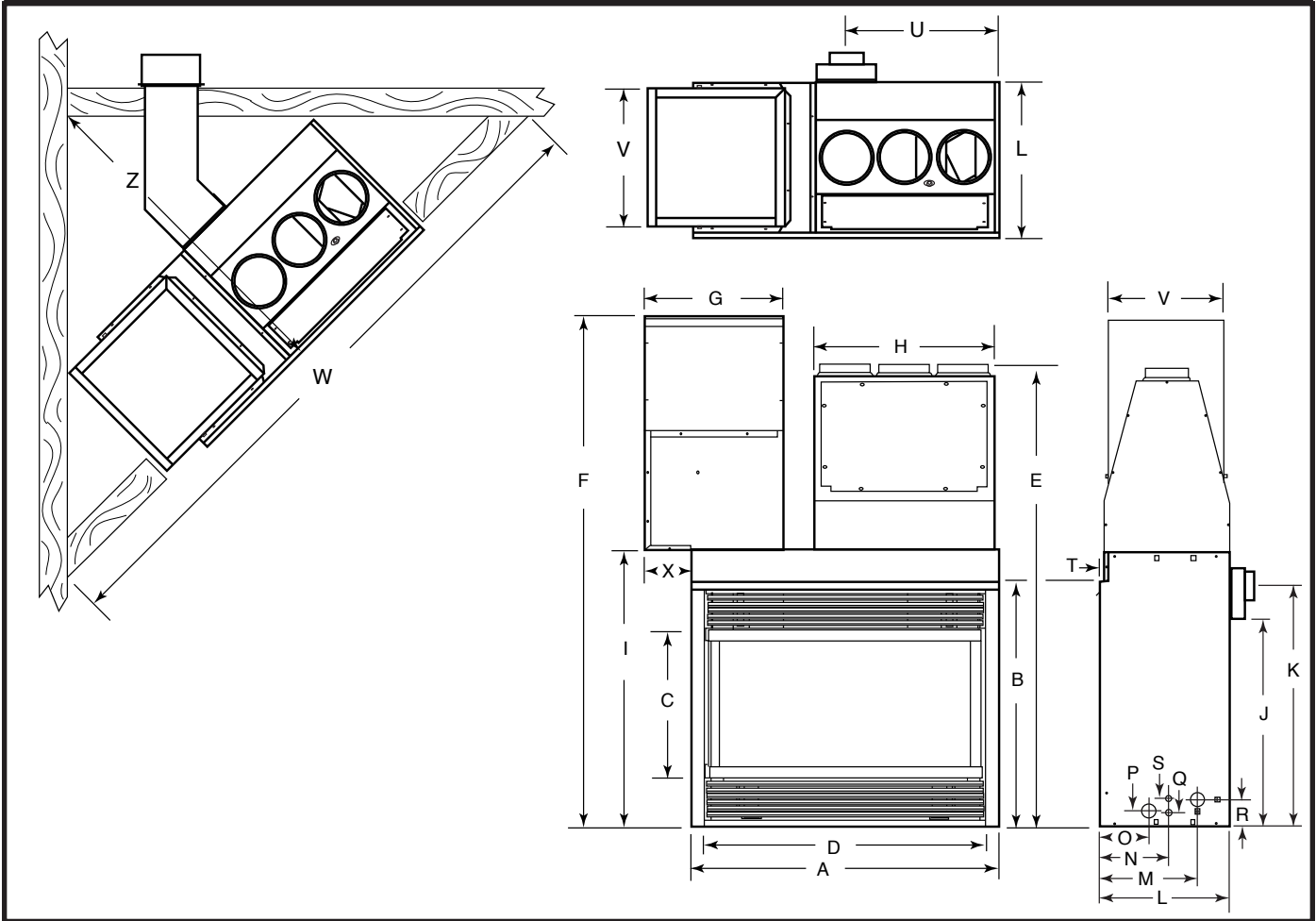


Fig. 2 Fireplace specifications.

Ref.	DVHVAC36	Ref.	DVHVAC36
A	36" (914 mm)	N	9 ⁵ / ₈ " (245 mm)
B	34 ¹ / ₄ " (870 mm)	O	6 ⁷ / ₈ " (175 mm)
C	21" (533 mm)	P	2 ⁹ / ₃₂ " (58 mm)
D	33" (838 mm)	Q	2" (51 mm)
E	63 ⁵ / ₆₄ " (1621 mm)	R	3 ¹³ / ₁₆ " (97 mm)
F	70" (1780 mm)	S	4" (102 mm)
G	16 ⁵ / ₃₂ " (410 mm)	T	1/2" (13 mm)
H	21 ⁵ / ₃₂ " (537 mm)	U	18" (457 mm)
I	38 ³ / ₁₆ " (970 mm)	V	16 ⁷ / ₂₁ " (412 mm)
J	28 ¹⁵ / ₁₆ " (735 mm)	W	83 ¹ / ₈ " (2111 mm)
K	33 ¹ / ₂ " (851 mm)	X	5 ³ / ₈ " (136 mm)
L	18 ³ / ₁₆ " (462 mm)	Y	58 ³ / ₄ " (1493 mm)
M	13 ² / ₃₂ " (347 mm)	Z	41 ¹ / ₁₆ " (1056 mm)

Locating Your Gas Fireplace

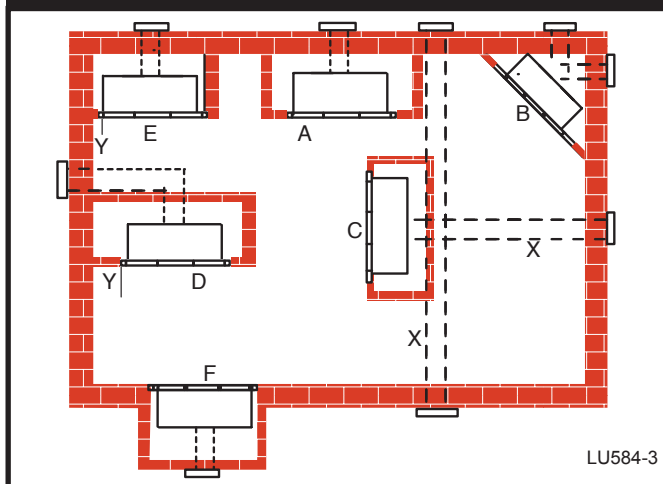


Fig. 1 Locate gas fireplace.

- A) Flat on wall B) Cross corner C) **Island
 D) *Room divider E) *Flat on wall corner F) Chase installation
 Y) 6" minimum

NOTE (Fig. 1):

** Island (C) and Room Divider (D) installation is possible as long as the horizontal portion of the vent system (X) does not exceed 20' (6m). See details in Venting Section.

* When you install your CFM Corporation fireplace in (D) Room divider or (E) Flat on wall corner positions (Y), a minimum of 6" (153mm) clearance must be maintained from the perpendicular wall and the front of the fireplace.

Clearance to Combustibles

Back.....	0" (0 mm)
Side.....	0" (0 mm)
Floor.....	0" (0 mm)
Top.....	0" (0 mm)
Flue.....	2" (51 mm) Top
	1" (25 mm) Sides/Bottom

Unit Assembly

The DVHVAC36 is shipped in three cartons. The first carton contains the fireplace cabinet. The second carton contains the air circulating blower section and the third carton contains the coil cabinet. Unpack all three sections before following the assembly instructions:

1. Place the air circulating blower section onto the left side of the fireplace cabinet. (Fig. 3)
2. Ensure the damper plate below the blower assembly works freely without binding. Rotate it downwards and ensure that it returns to a closed position.
3. Secure air circulating blower section to fireplace cabinet using 8 of the #8 screws provided.
4. Remove the access panel on the front of the air circulating blower section by removing the #10-24 nuts. Remove the jack plug from the air circulating blower motor by gently depressing tab.

5. Attach the metal conduit from the fireplace cabinet to the 7/8" diameter hole in the side of the air circulating blower section using the nut provided. Do not feed the two yellow wires which are outside the conduit through the hole. Insert the terminal on the white wire (common) into position 1 on the jack plug. Insert the terminal on the black wire (cooling speed) into position 2 on the jack plug. Insert the terminal on the red wire (heating speed), into position 3, 4 or 5 on the jack plug. If unsure, select position 4 on the jack plug for heating speed and adjust if necessary. If desired the speed selections can be changed later. Refer to Figure 8 Wiring Diagram.

WARNING: Ensure that all three wires are properly inserted into jack plug, even if an optional air conditioner is not to be used.

6. Reinstall jack plug into motor and replace access panel.
7. Place the coil cabinet section onto the right side of the fireplace cabinet so the access panel faces the front of the unit. (Fig. 3) Remove the access panel and secure the coil cabinet to the fireplace cabinet using 8 of the #8 screws provided.
8. Connect the 1/4" quick connect terminals of the two yellow wires from the fireplace cabinet to the high limit safety control located on the top of the coil cabinet.

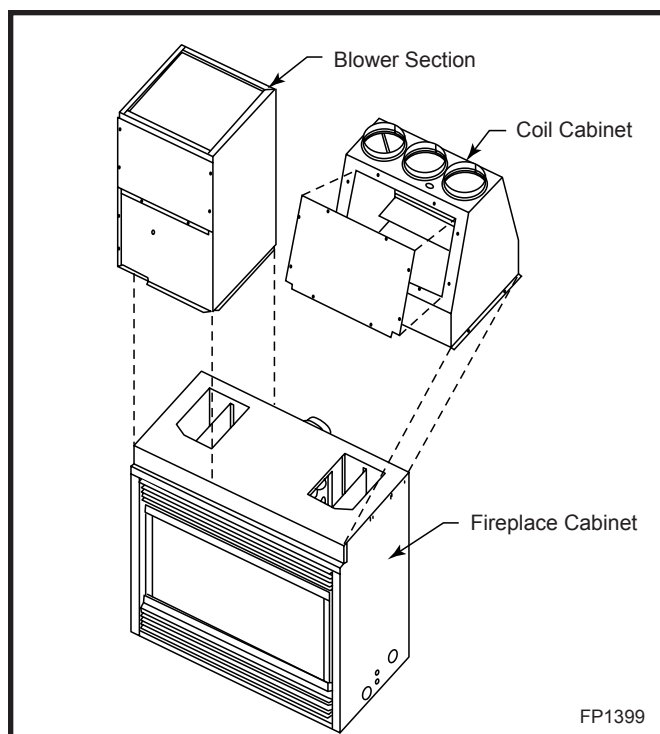


Fig. 3 DVHVAC36 unit assembly.

Framing and Finishing

1. Choose fireplace location.
2. Place fireplace into position and secure to floor with 1½" screws, or nails. The holes to secure the fireplace to the floor are located just behind the access door grille on the left and right hand side of the fireplace.

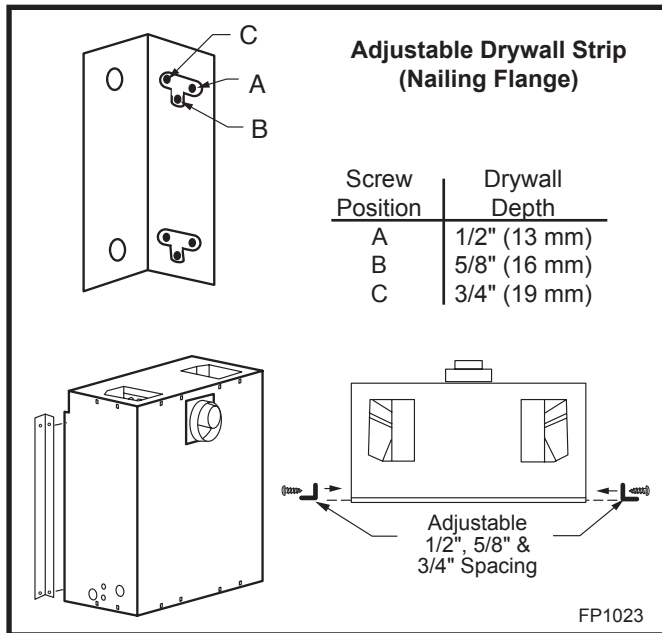


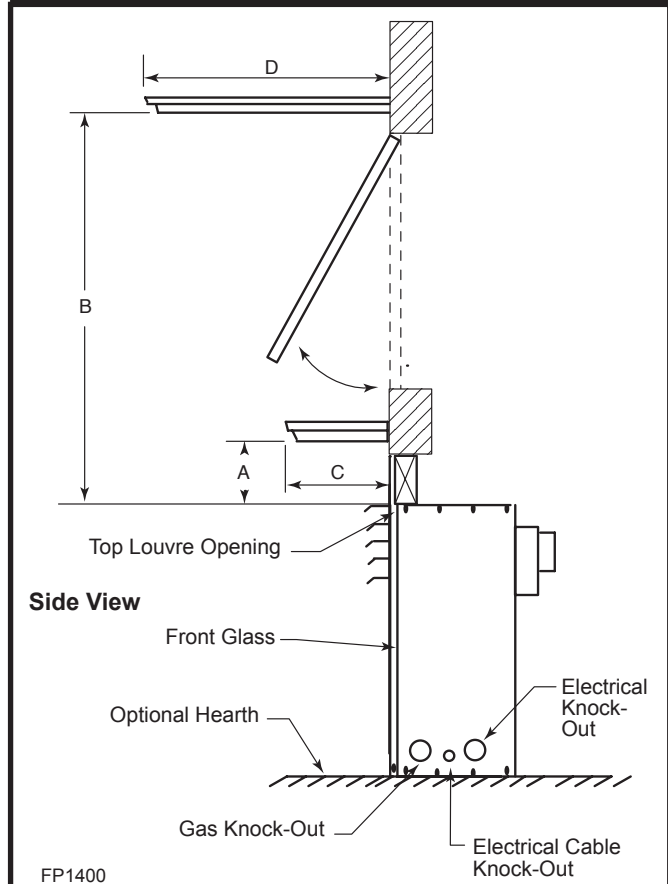
Fig. 4 Adjustable drywall strip (nailing flange).

3. Frame in fireplace. It is important to allow for finished face when setting the depth of the frame.
4. Attach fireplace to frame using adjustable frame drywall strips (located behind access door for shipping). Preset depth to suit facing material (adjustable to 1/2", 5/8" or 3/4" depths). (Fig. 4)
5. Screw through slotted holes in drywall strip and then screw into pre-drilled holes on fireplace side. Measure from face of fireplace to face of drywall strip to determine final depth. (Fig. 4)

Supply Air Duct Systems

The DVHVAC36 fireplace has three 6" (152 mm) diameter supply air outlets. Duct runs of up to 65 equivalent feet (19.8 m) using 6" (152 mm) round duct (or equivalent), are permissible. Duct runs of up to 40 equivalent feet (12.2 m) are permitted using 5" (127 mm) round duct (or equivalent). Runs of up to 30 equivalent feet (9 m) are permitted when using 4" (102 mm) round duct (or equivalent). In all cases, size and install the supply air system using industry approved standards which result in a quiet and low static system.

Mantel



Mantel Chart

Ref.	From Top Louvre (Min.)	Ref.	Depth (Max.)
A	15½" (394 mm)	C	7" (178 mm)
B	48" (1219 mm)	D	any

Mantel Leg Chart

From Fireplace Side (Min.)	Depth (Max.)
7½" (191 mm)	1¾" (44 mm)

Fig. 5 Combustible mantel installation.

Return Air Plenum

The DVHVAC36 is equipped with a 16" x 16" (256 x 256 mm) return air duct connection. Size and install the return air system using industry approved standards that result in a quiet and low static system.

Air Conditioning

The coil cabinet has been sized to fit most major brands of evaporator coil. (Fig. 6) The brackets supplied inside the coil cabinet represent the lowest height above the fireplace cabinet that the coil may be mounted. For best results, it is recommended that low air restriction types

of coils be used with this product. When using 4" or 5" (102 or 127 mm) diameter duct work, the maximum air conditioning system size should be limited to 1.5 tons (18,000 BtuH). When using 6" (152 mm) diameter duct, air conditioners of up to 2 tons (24,000 BtuH) may be used. Total static pressure of the system above the outlet from the fireplace cabinet should not exceed 0.40" w.c. with the air circulating blower on high speed, when using the maximum air conditioning capacity.

Two rails come factory mounted in the coil cabinet. These represent the minimum clearance between the evaporator coil and the fireplace cabinet top. Do not mount an evaporator coil below the level of the rails.

Final Finishing

Noncombustible materials such as brick and tile can be extended over the front face of the unit (**Do not cover louvres or glass door**). If a trim kit is going to be installed, brick and tile will have to be installed flush with the side of this appliance.

Hearth

A hearth is not mandatory, however it is recommended for aesthetic purposes. We recommend a noncombustible hearth which projects out 12" (305 mm) or more in front of this unit.



Cold climate installation recommendation: When installing this unit against a non-insulated exterior wall or chase, it is mandatory the outer walls be insulated to conform to applicable insulation codes.

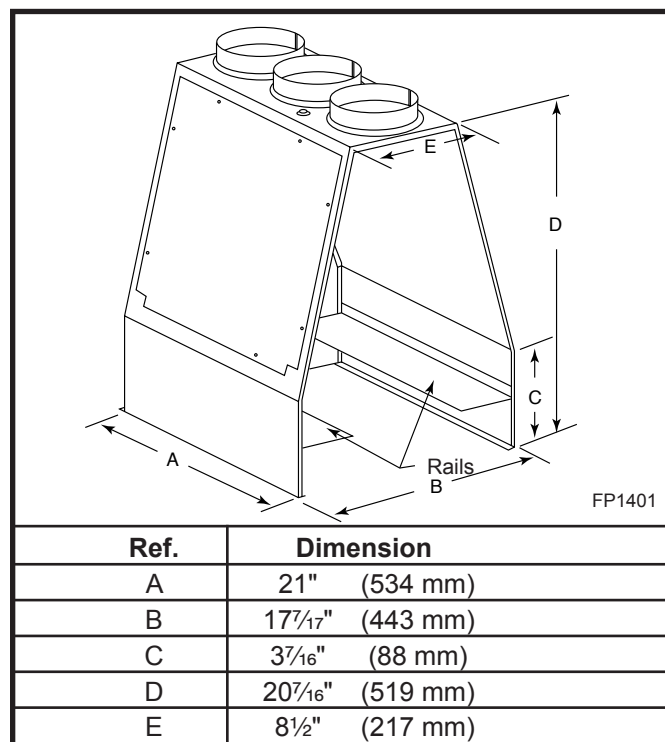


Fig. 6 Coil cabinet dimensions.

DVHVAC36

Certified to

ANSI Z21.88-2005 / CSA 2.33-2005
Vented Gas Fireplace Heaters

Unit: B12AC0, B12BC0



Do not use this fireplace if any part of it has been under water. Immediately call a qualified service technician to inspect the fireplace and replace any part of the control which has been under water.

Gas Inlet & Manifold Pressures

Supply Pressure	Natural	LP (Propane)
Minimum	5.5" w.c.	11.0" w.c.
Maximum	14.0" w.c.	14.0" w.c.
Manifold Pressure	3.5" w.c.	10.0" w.c.

High Elevations

Input ratings are shown in BTU per hour and are certified without deration for elevations up to 4,500 feet (1,370 m) above sea level.

For elevations above 4,500 feet (1,370 m) in USA, installations must be in accordance with the current ANSI Z223.1/NFPA 54 and/or local codes having jurisdiction.

In Canada, please consult provincial and/or local authorities having jurisdiction for installations at elevations above 4,500 feet (1,370 m).

Gas Specifications

Model	Fuel	Gas Control	Max. Input BTUH	Min. Input BTUH
DVHVAC36RN	Natural Gas	Millivolt HI/LO	40,000	25,000
DVHVAC36RP	Propane Gas	Millivolt HI/LO	40,000	25,000

Gas Line Installation



When purging gas line, the front glass must be removed.

The gas pipeline can be brought in through the right side or left side of the appliance as well as the bottom. Knockouts are provided at convenient locations to allow for the gas pipe installation and testing of any gas connection.

The gas line connection can be made with properly tinned 3/8" copper tubing, 3/8" rigid pipe or an approved flex connector.



Always check for gas leaks with a mild soap and water solution. Do not use an open flame for leak testing.

The gas control is equipped with a captured screw type pressure test point, therefore it is not necessary to provide a 1/8" test point up stream of the control.

When using copper or flex connector use only approved fittings. When using black iron pipe always provide a union so the gas line can be easily disconnected for burner or fan servicing. (Fig. 7) Refer to gas specifications for pressure details and ratings.

The fireplace valve must not be subjected to any test pressures exceeding 1/2 psi. Isolate or disconnect this or any other gas appliance control from the gas line when pressure testing.

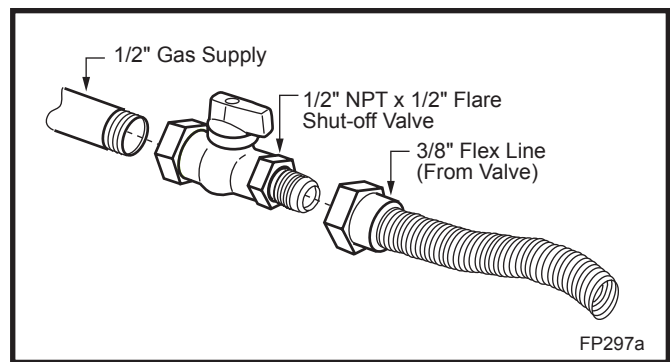


Fig. 7 Typical gas supply installation.

Electrical Specifications

120V AC

60Hz

Less than 12 Amps

1/3 Horsepower

Electrical

Refer to Figure 8 for field wiring.

1. Select fuse and wire size according to rating plate amperage.
2. Install a separate fused disconnect switch near the unit for service purposes.
3. Knockouts are provided on both sides of cabinet for electrical wiring.
4. Install room thermostat (24 volt) according to instructions provided with thermostat, using 18 gauge wire or larger.

5. Electrically ground the unit in accordance with local codes, or in the absence of local codes in accordance with the Canadian Electrical Code, Part 1 (CSA Standard C22.1) in Canada, or with the National Electric Code (ANSI/NFPA No. 70) in the United States.
6. The circuit board is equipped with two (2) accessory terminals. The terminal marked "Air Cleaner" and "Humidifier" are rated for 120V 0.5 Amps and are energized with the air circulating blower. Connect the neutral leg of the accessory to the 120V neutral wire.

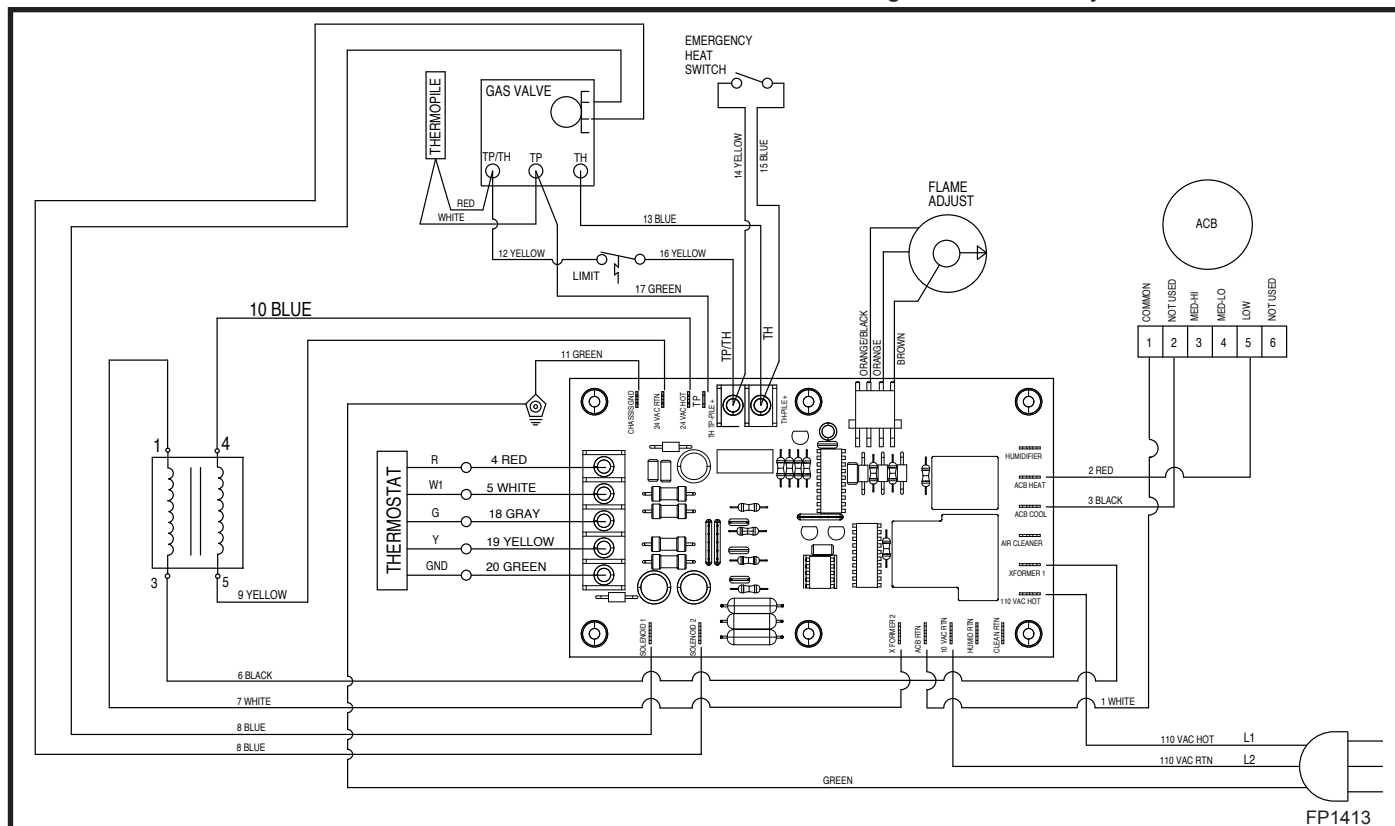


Fig. 8 DVHVAC36 wiring diagram.

General Venting

This model is approved to be vented either through the side wall, or vertically through the roof.

- Only venting components specifically approved and labelled for this fireplace may be used.
- Minimum clearances between vent pipes and combustible materials is 1" (25 mm).
- Venting terminals shall not be recessed into a wall or siding.
- Horizontal venting must be installed on a level plane without an inclining or declining slope.

There must not be any obstruction such as bushes, garden sheds, fences, decks or utility buildings within

24" (610 mm) from the front of the termination hood.

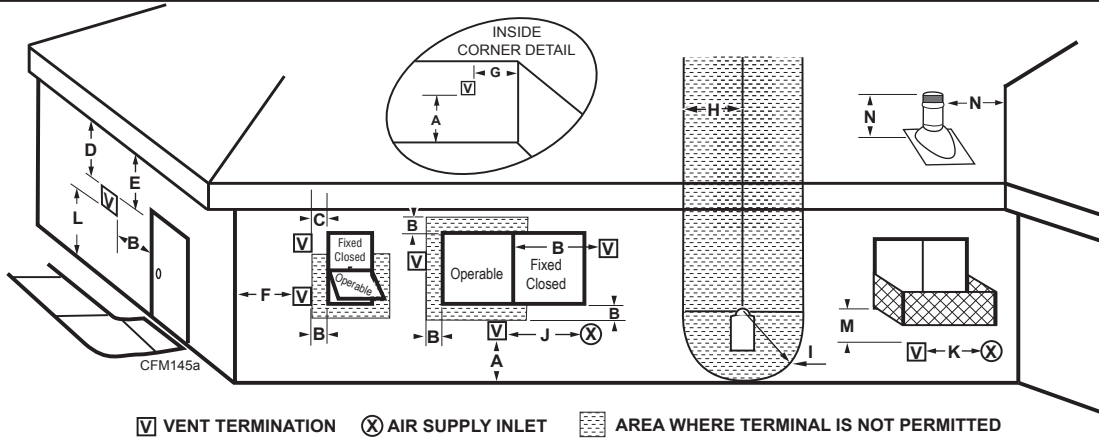
Do not locate termination hood where excessive snow or ice build up may occur. Be sure to check vent termination area after snow falls, and clear to prevent accidental blockage of venting system. When using snow blowers, make sure snow is not directed towards vent termination area.

Location of Vent Termination

It is imperative that the vent termination be located observing the minimum clearances as shown on Page 10.

*Check with local codes or in absence of same with CSA B149.1 Installation Codes (1991) for Canada or for U.S.A. Installations follow the current National Fuel Gas Code, ANSI Z223.1/NFPA 54.

General Venting Information - Termination Location



	Canadian Installations ¹	US Installations ²
A = Clearance above grade, veranda, porch, deck, or balcony	12" (30cm)	12" (30cm)
B = Clearance to window or door that may be opened	6" (15cm) for appliances < 10,000Btuh (3kW), 12" (30cm) for appliances > 10,000 Btuh (3kW) and < 100,000 Btuh (30kW), 36" (91cm) for appliances > 100,000 Btuh (30kW)	6" (15cm) for appliances < 10,000 Btuh (3kW), 9" (23cm) for appliances > 10,000 Btuh (3kW) and < 50,000 Btuh (15kW), 12" (30cm) for appliances > 50,000 Btuh (15kW)
C = Clearance to permanently closed window	12" (305mm) recommended to prevent window condensation	12" (305mm) recommended to prevent window condensation
D = Vertical clearance to ventilated soffit located above the terminal within a horizontal distance of 2 feet (610mm) from the center line of the terminal	18" (458mm)	18" (458mm)
E = Clearance to unventilated soffit	12" (305mm)	12" (305mm)
F = Clearance to outside corner	see next page	see next page
G = Clearance to inside corner (see next page)	see next page	see next page
H = Clearance to each inside of center line extended above meter/regulator assembly	3' (91cm) within a height of 15' above the meter/regulator assembly	3' (91cm) within a height of 15' above the meter/regulator assy
I = Clearance to service regulator vent outlet	3' (91cm)	3' (91cm)
J = Clearance to nonmechanical air supply inlet to building or the combustion air inlet to any other appliances	6" (15cm) for appliances < 10,000 Btuh (3kW), 12" (30cm) for appliances > 10,000 Btuh (3kW) and < 100,000 Btuh (30kW), 36" (91cm) for appliances > 100,000 Btuh (30kW)	6" (15cm) for appliances < 10,000 Btuh (3kW), 9" (23cm) for appliances > 10,000 Btuh (3kW) and < 50,000 Btuh (15kW), 12" (30cm) for appliances > 50,000 Btuh (15kW)
K = Clearance to a mechanical air supply inlet	6' (1.83m)	3' (91cm) above if within 10' (3m) horizontally
L = Clearance above paved sidewalk or paved driveway located on public property	7' (2.13m)†	7' (2.13m)†
M = Clearance under veranda, porch, deck or balcony	12" (30cm)‡	12" (30cm)‡
N = Clearance above a roof shall extend a minimum of 24" (610mm) above the highest point when it passes through the roof surface, and any other obstruction within a horizontal distance of 18" (450mm).		

1 In accordance with the current CSA-B149 Installation Codes

2 In accordance with the current ANSI Z223.1/NFPA 54 National Fuel Gas Codes

† A vent shall not terminate directly above a sidewalk or paved driveway which is located between two single family dwellings and serves both dwellings

‡ only permitted if veranda, porch, deck or balcony is fully open on a minimum 2 sides beneath the floor:

NOTE: 1. Local codes or regulations may require different clearances.

2. The special venting system used on Direct Vent fireplaces are certified as part of the appliance, with clearances tested and approved by the listing agency.

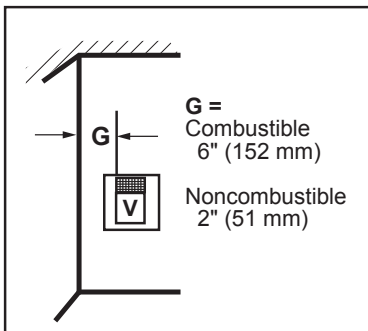
3. CFM Corporation assumes no responsibility for the improper performance of the appliance when the venting system does not meet these requirements.

Fig. 9 Termination clearances.

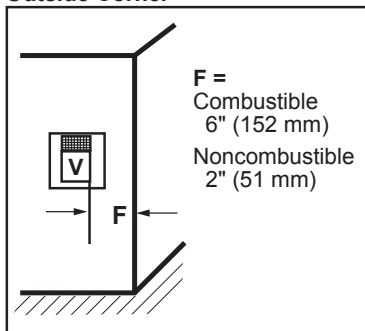
Termination Clearances

Termination clearances for buildings with combustible and noncombustible exteriors.

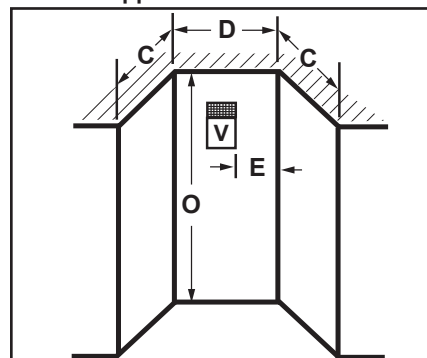
Inside Corner



Outside Corner

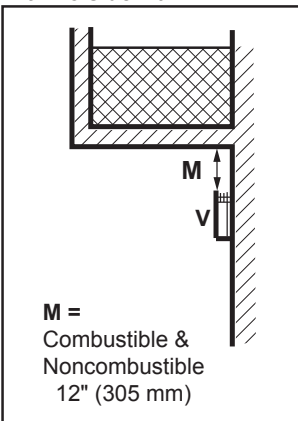


Alcove Applications*



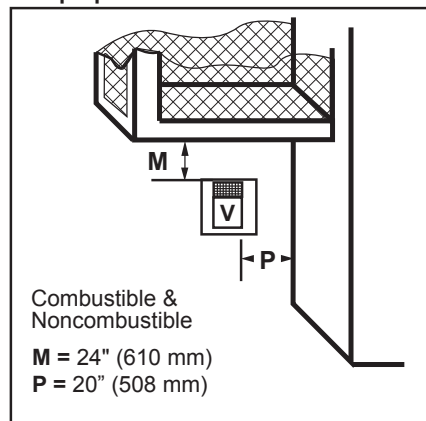
E = Min. 6" (152 mm) for non-vinyl sidewalls
 Min. 12" (305 mm) for vinyl sidewalls
 O = 8' (2.4 m) Min.

Balcony - with no side wall



M = Combustible & Noncombustible 12" (305 mm)

Balcony - with perpendicular side wall



Combustible & Noncombustible
 M = 24" (610 mm)
 P = 20" (508 mm)

No. of Caps	D _{Min.}	C _{Max.}
1	3' (.9 m)	2 x D _{Actual}
2	6' (1.8 m)	1 x D _{Actual}
3	9' (2.7 m)	2/3 x D _{Actual}
4	12' (3.7 m)	1/2 x D _{Actual}

D_{Min.} = # of Termination caps x 3
 C_{Max.} = (2 / # termination caps) x D_{Actual}

584-15

***NOTE:** Termination in an alcove space (spaces open only on one side and with an overhang) is permitted with the dimensions specified for vinyl or non-vinyl siding and soffits. 1. There must be a 3' (914 mm) minimum between termination caps. 2. All mechanical air intakes within 10' (1 m) of a termination cap must be a minimum of 3' (914 mm) below the termination cap. 3. All gravity air intakes within 3' (914 mm) of a termination cap must be a minimum of 1' (305 mm) below the termination cap.

Fig. 10 Termination clearances.

General Information Assembling Vent Pipes

Canadian Installations:

Venting system must be installed in accordance with the current CSA-B149.1 installation code.

USA Installations:

The venting system must conform with local codes and/or the current National Fuel Gas code ANSI Z223.1/ NFPA 54.

Only venting components manufactured by CFM Corporation can be used in Direct Vent systems.

To join the twist lock pipes together, simply align the beads of the male end with the grooves of the female end, then while bringing the pipe together, twist the pipe until the flange on the female end contacts the external flange on the male end. It is recommended that you secure the joints with three (3) sheet metal screws, however this is not mandatory with twist lock pipe. (Fig. 11)

To make it easier to assemble the joints we suggest putting a lubricant (Vaseline or similar) on the male end of the twist lock pipe prior to assembly.

Twist Lock Pipes

When using CFM Corporation twist-lock pipe it is not necessary to use sealant on the joints. The only areas of the venting system that need to be sealed with high temperature silicone sealant are the collars on the fireplace and termination, and the sliding joint of any telescopic vent section used in the system.

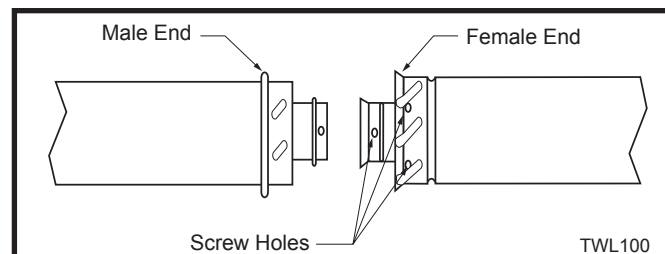


Fig. 11 Twist-lock pipe joints.

How to Use the Vent Graph

1. Determine the height of the center of the horizontal vent pipe exiting through the outer wall. Using this dimension on the Sidewall Vent Graph (Fig. 12), locate the point it intersects with the slanted graph line.
2. From the point of this intersection, draw a vertical line to the bottom of the graph.
3. Select the indicated dimension, and position the fireplace in accordance with same. (Refer to examples Fig. 12)

EXAMPLE A:

If the vertical dimension from the floor of the unit is 11' (3.4m) the horizontal run to the face of the outer wall must not exceed 14' (4.3 m).

EXAMPLE B:

If the vertical dimension from the floor of the unit is 7' (2m), the horizontal run to the face of the outer wall must not exceed 8½' (2.6 m).

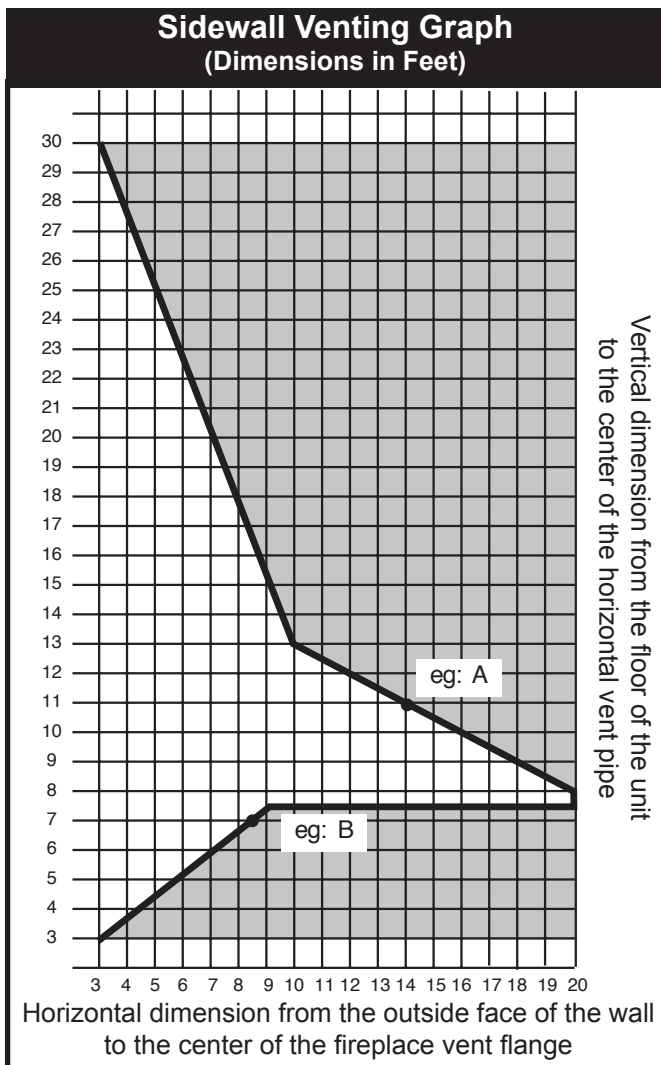


Fig. 12 Sidewall venting graph. (Dimensions in feet)

Corner Installation

When the DVHVAC36 unit is installed in a corner, **Figure 1, Option B**, the vent configuration must follow the **Vertical Sidewall Installation Instructions**.

Rear Wall Venting Applications

This appliance may be vented directly to a termination located on the rear wall behind the appliance.

NOTE: It is not necessary to seal the vent pipe joints for any rear vent applications.

- Only CFM Corporation venting components are approved to be used in these applications. Refer to "Venting Components" listed for different installation requirements.
- The maximum horizontal distance between the rear of the appliance and the outside face of the rear wall is 20" (508 mm). (Fig. 13)
- Minimum clearances between vent pipe and combustible materials are as follows:

- Top - 2" (51 mm)
- Sides - 1" (25 mm)
- Bottom - 1" (25 mm)

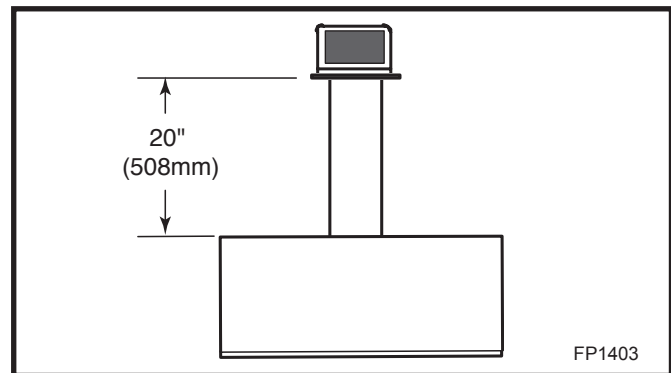


Fig. 13 Rear vent application.

Rear Wall Installations

STEP 1

Locate vent opening on wall. To locate hole center, refer to appropriate fireplace dimensions on Page 4.

Combustible Walls (Fig. 14): Cut a 10⅝" x 9⅜" (265 x 240 mm) hole through the exterior wall and frame as shown.

Noncombustible Walls (Fig. 14): Hole opening must be 7½" (191 mm) in diameter.

STEP 2

Measure wall thickness and cut adjustable zero clearance sleeve parts to proper length (MAXIMUM 12" / 305 mm). Adjust sleeve to maximum (10⅝" x 9⅜" / 265 x 240 mm) and attach to firestop with #8 sheet metal screws (supplied). (Fig. 15) Install firestop assembly.

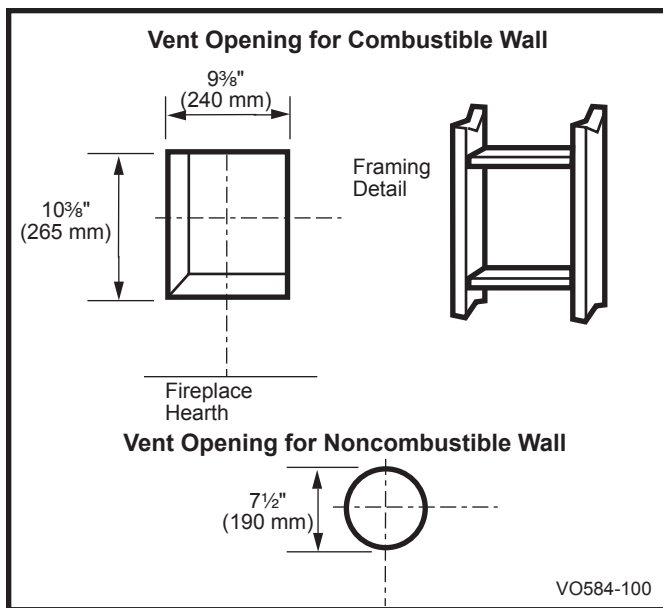


Fig. 14 Locate vent opening on wall.

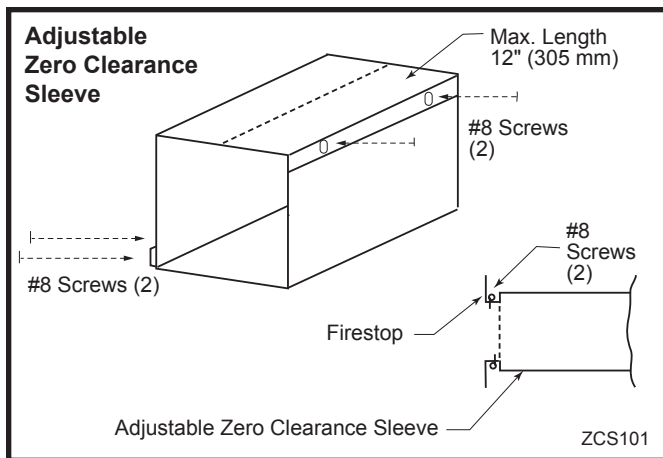


Fig. 15 Adjustable zero clearance sleeve.

STEP 3

Measure from fireplace collar face to face of outside wall (add 2" (51 mm) for vent pipe overlap). Mark pipes and cut to length. It is very important that the two pipes are flush with the outside wall once the fireplace is in its final location. (Fig. 16)

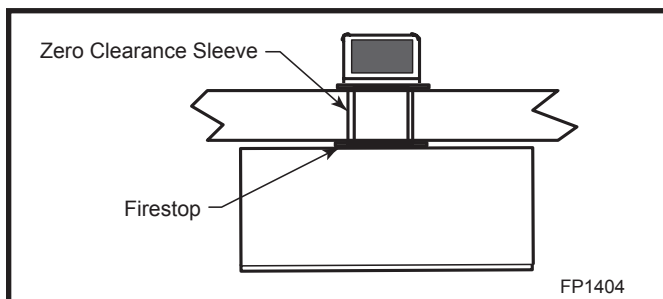


Fig. 16 Firestop and zero clearance sleeve in place.

STEP 4

Slip 4" (102 mm) and 7" (178 mm) pipes onto respective flue collars. Make sure to fix to the fireplace collar the 4" pipe with three (3) screws before fixing the 7" pipe on the 7" collar. Both pipes must be on a level plane. (Fig. 17)

STEP 5

Guide the vent termination 4" collar into the 4" pipe then the 7" collar into the 7" pipe. Do not force the venting into position. If the pipes do not line up with the termination collars, disassemble elbows or pipes and reattach to the fireplace collar.

STEP 6

Recheck the fireplace to make sure it is levelled, properly positioned and nailed or screwed to the floor.

If applied, the fireplace adjustable frame drywall strips (nailing flanges) should be fastened. Refer to Framing and Finishing.

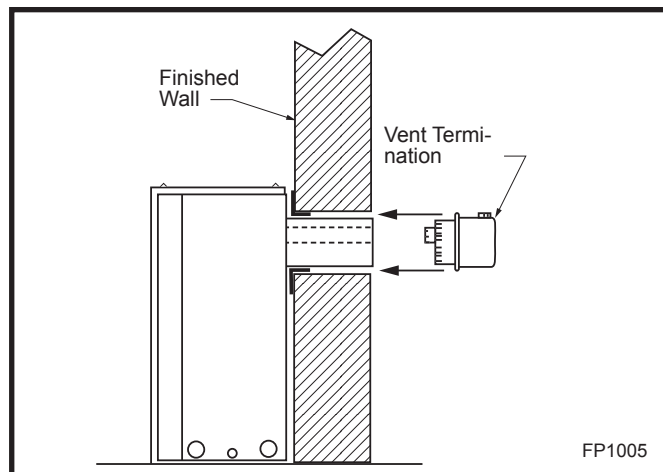


Fig. 17 Side view of final unit location.

Vertical Sidewall Applications



Since it is very important that the venting system maintain its balance between the combustion air intake and the flue gas exhaust, certain limitations as to vent configurations apply and must be strictly adhered to.

The graph showing the relationship between vertical and horizontal side wall venting will help to determine the various vent lengths allowable. (Fig. 12)



Minimum clearance between vent pipes and combustible materials is 1" (25 mm) on top, bottom and sides unless otherwise noted.

When vent termination exits through foundation less than 20" (508 mm) below siding outcrop, the vent pipe must flush up with the siding. A 7DVSS must also be used.

It is always best to locate the fireplace in such a way that minimizes the number of offsets and horizontal vent length.

The horizontal vent run refers to the total length of vent pipe from the flue collar of the fireplace to the face of the outer wall.

Horizontal plane means no vertical rise exists on this portion of the vent assembly.

For some installations, it may be desirable to have some amount of the horizontal vent run immediately after the fireplace. A vertical rise must be used but can be located anywhere in the vent system, to meet the parameters identified in the venting graph.

- The maximum horizontal vent run is 20' (6 m) when the vertical vent rise is 7½' (2.3 m). (Fig. 18)

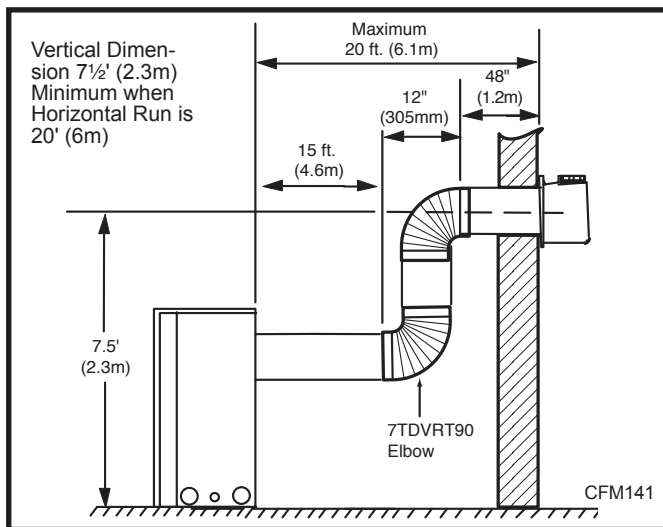


Fig. 18 Maximum number of 90° elbows is three.

- The maximum number of 90° elbows per side wall installation is three (3).
- The maximum number of 45° elbows permitted per side wall installation is two (2). These elbows can be installed in either the vertical or horizontal run.
- When one (1) 90° elbow is installed directly onto another off the back of the fireplace the maximum horizontal vent length is 36" (914 mm). (Fig. 19)
- For each 45° elbow installed in the horizontal run (while maintaining a constant horizontal plane), the length of the horizontal run MUST be reduced by 18" (457 mm). This does not apply if the 45° elbows are installed on the vertical part of the vent system.
- If a 90° elbow is used in the horizontal vent run (level height maintained) the maximum horizontal vent length is reduced by 36" (914 mm) (Fig. 20) This does not apply if the 90° elbows are used to increase or redirect a vertical rise.

Example: According to the vent chart the maximum horizontal vent length is 20' (6 m) when the vertical height is 7.5' (2.3 m) from fireplace base height. If one (1) 90° elbow is required in the horizontal vent, it must be reduced to 17' (5.2 m).

- The maximum number of elbow degrees in a system is 270°. (This does not include transition elbow from rear vent to vertical vent.) (Fig. 21)

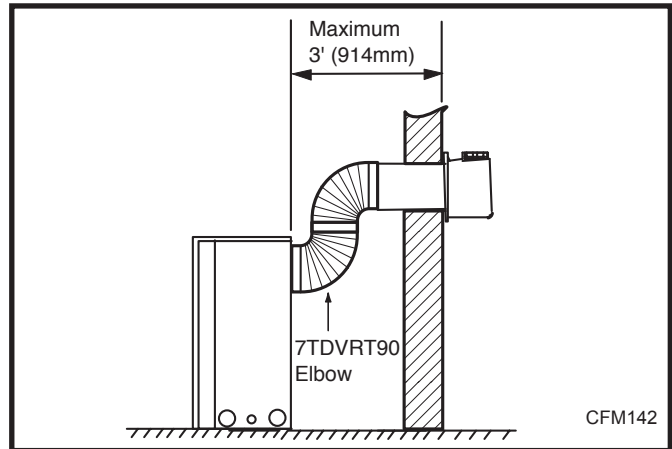


Fig. 19 Maximum horizontal vent run with 90° elbows directly off back of unit.

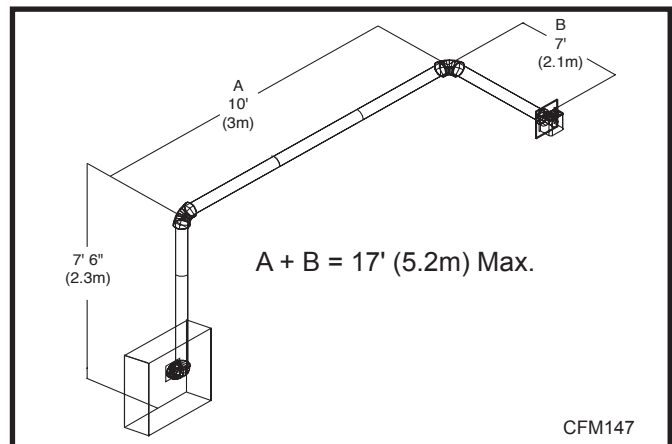


Fig. 20 Maximum vent run with elbows.

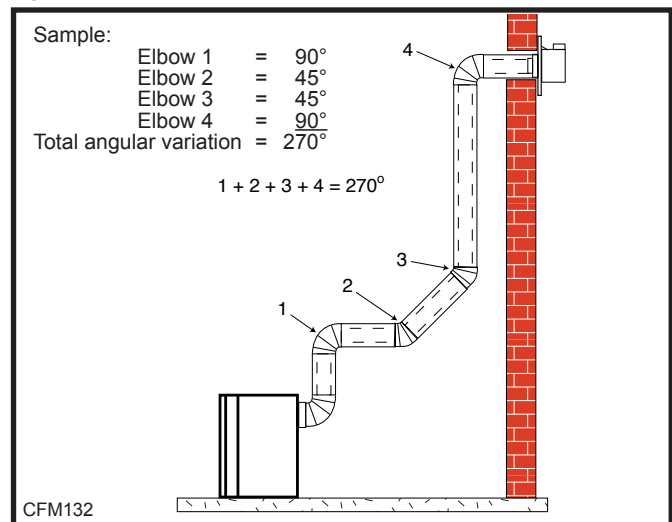


Fig. 21 Maximum number of elbows.

• **IMPORTANT** • Minimum clearance between vent pipes and combustible materials is 1" (25mm) on bottom, sides and top.



A vent starter kit plus a transition elbow must be used in Vertical Sidewall Installations. The 4" pipe must be centered inside the 7" pipe coming off the transition elbow.

Canadian & USA Installations:

The venting system must conform with local codes, or in the absence of local codes, with the National Fuel Gas Code, ANSI Z223.1/NFPA 54 - latest edition, or CSA B149.1 Installation Code.

Only CFM Corporation venting components specifically approved and labelled for this fireplace may be used.

Vertical Sidewall Installations

STEP 1

Locate vent opening on the wall. It may be necessary to first position the fireplace and measure to obtain hole location. Depending on whether the wall is combustible or noncombustible, cut opening to size. (Fig. 22)

For combustible walls first frame in opening.

Combustible Walls (Fig. 22): Cut a 9 3/8" x 9 3/8" (240 x 240 mm) hole through the exterior wall and frame.

Noncombustible Walls (Fig. 22): Hole opening must be 7 1/2" (190 mm) in diameter.

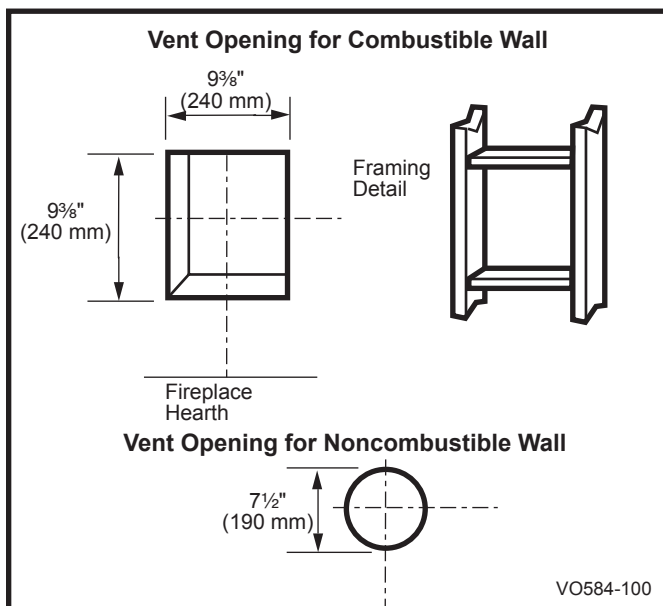


Fig. 22 Locate vent opening on wall.

STEP 2

Measure wall thickness and cut adjustable zero clearance sleeve parts to proper length (MAXIMUM 12" / 305mm). (Fig. 23) Adjust sleeve to minimum (9 3/8" x 9 3/8" / 240 x 240 mm) and attach to firestop with #8 sheet metal screws (supplied). Assemble sleeve and attach to firestop with #8 sheet metal screws (supplied). Install firestop assembly.



Zero clearance sleeve is only required for combustible walls.

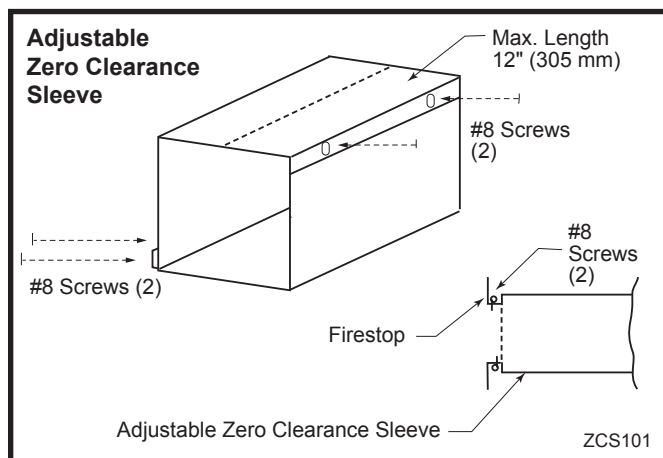


Fig. 23 Adjustable zero clearance sleeve.

STEP 3

Apply a bead of high temperature sealant to the inner and outer flue collars of the fireplace and using appropriate venting component(s) attach to fireplace with three (3) screws. (Fig. 24) Follow with the installation of the inner and outer elbow. Again, secure joints with three (3) sheet metal screws. Wipe off any excess high temperature sealant.

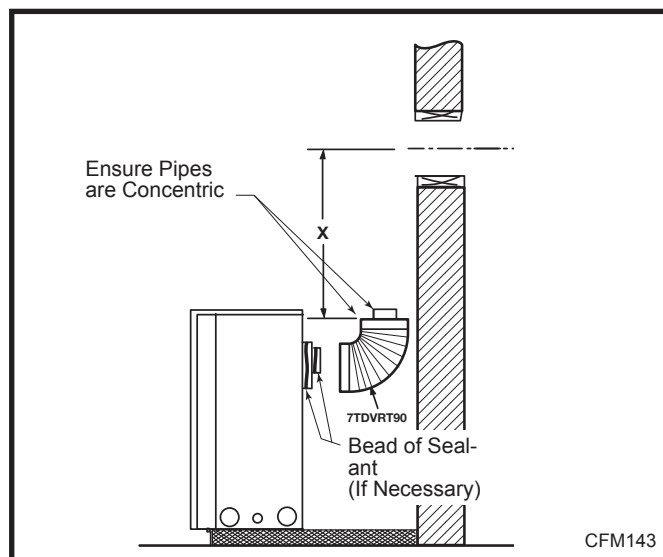


Fig. 24 Apply sealant to inner and outer pipe.

STEP 4

Measure the horizontal length requirement including a 2" (51 mm) overlap, i.e. from the elbow to the outside wall finish plus 2", or the distance required if installing a second 90° elbow. (Fig. 25)

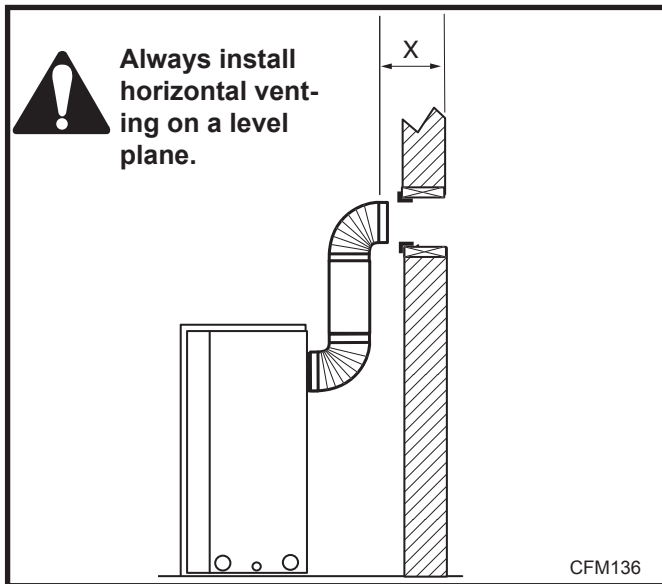


Fig. 25 Measure horizontal length including 2" overlap.

STEP 5

Use appropriate length of pipe section - telescopic or fixed - and install the horizontal vent sections. The 20" (508 mm) section of pipe which goes through the wall is packaged with the 7TDVSK starter kit, and can be cut to suit if necessary. (Fig. 26)



Sealing vent pipe and firestop gaps with high temperature sealant will restrict cold air being drawn in around the fireplace.

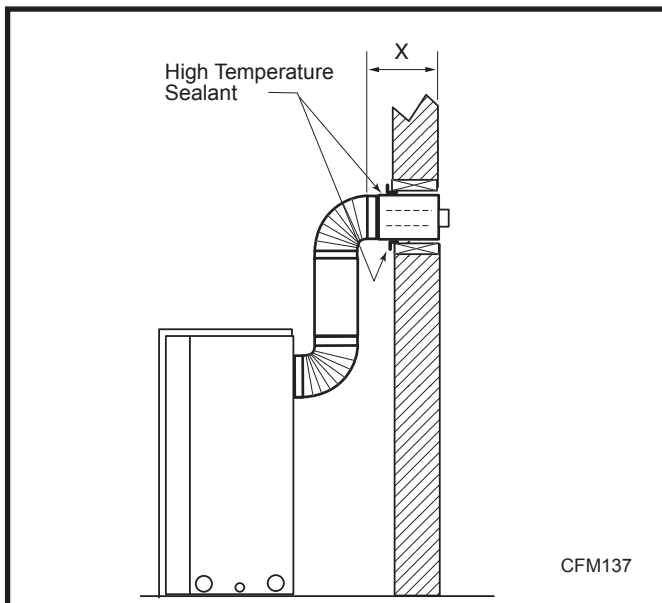


Fig. 26 Apply high temperature sealant.

STEP 6

Apply high temperature sealant to 4" (102 mm) and 7" (178 mm) collars or the termination 1" (25 mm) away from the end. Guide the vent termination's 4" and 7" collars into their respective vent pipes. Double check that the vent pipes overlap the collars by 2" (51 mm). Secure the termination to the wall with screws provided and caulk around the wall plate to weatherproof. (Fig. 27)

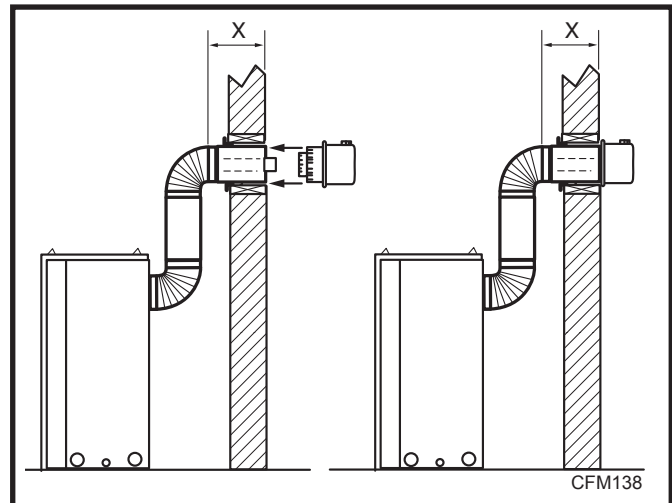


Fig. 27 Horizontal length requirement.

STEP 7

Support the horizontal pipes every 36" (914 mm) with metal pipe straps. Make sure the horizontal vent pipe is installed on a level horizontal plane.

STEP 8

Re-check the fireplace to make sure that it is levelled, properly positioned and nailed or screwed to the floor. If applied, the fireplace's adjustable frame drywall strips (nailing flanges) should be fastened. Refer to "Framing & Finishing" section.

Below Grade Installation

When it is not possible to meet the required vent terminal clearances of 12" (305 mm) above grade level, a snorkel termination, #7TDVSNORK is required. It allows installation depth of down to 7" (178 mm) below grade level. The 7" is measured from the center of the horizontal vent pipe as it penetrates through the wall.

Ensure sidewall venting clearances are observed.



If venting system is installed below ground, a window well with adequate and proper drainage to be installed around the termination area is recommended.

The maximum horizontal run with 24" (610 mm) vertical rise is 36" (914 mm) from the back of the fireplace to the face of the exterior wall. Refer to the vent graph on Page 12 for extended horizontal run if the vertical rise exceeds 24" (610 mm).

1. Establish vent hole through the wall. (Fig. 22)
2. Remove soil to a depth of approximately 16" (406 mm) below base of snorkel. Install window well (not supplied). Refill hole with 12" (305 mm) of coarse gravel leaving a clearance of approximately 4" (102 mm) below snorkel. (Fig. 28)
3. Install vent system. Refer to Page 12, Steps 2 through 5.
4. Ensure a watertight seal is made around the vent pipe coming through the wall.
5. Apply high temperature sealant caulking (supplied) around the 4" and 7" snorkel collars.
6. Slide into the vent pipe and secure to the wall.
7. Level the soil to maintain a 4" (102 mm) clearance below snorkel. (Fig. 28)

Do not backfill around snorkel. A clearance of at least 4" (102 mm) must be maintained below the snorkel.

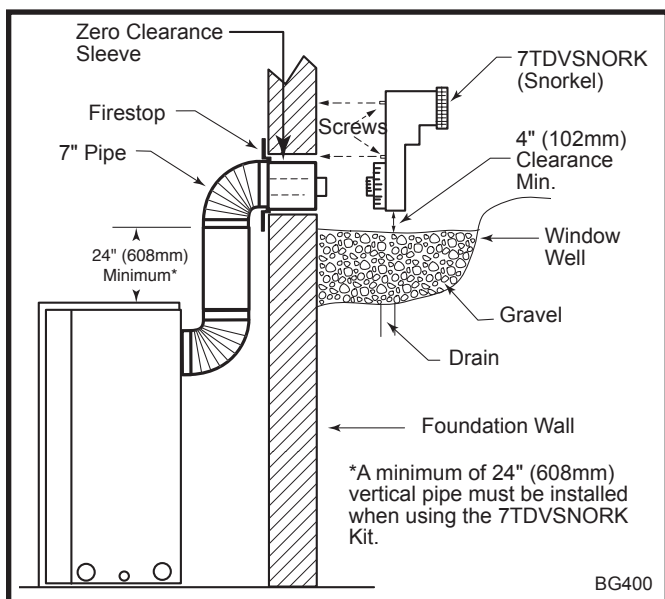


Fig. 28 Below grade installation.

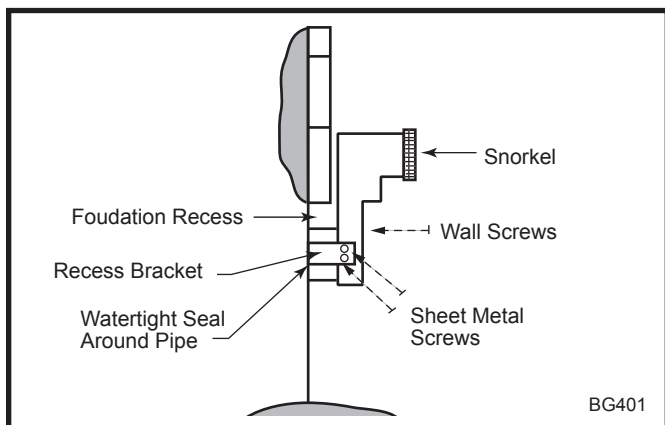


Fig. 29 Snorkel installation, recessed foundation.

Vertical Through-the-Roof Applications

This gas fireplace has been approved for:

- Vertical installations up to 40' (12 m) in height. Up to 10' (3 m) horizontal vent run can be installed within the vent system using a maximum of three (3) 90° elbows.

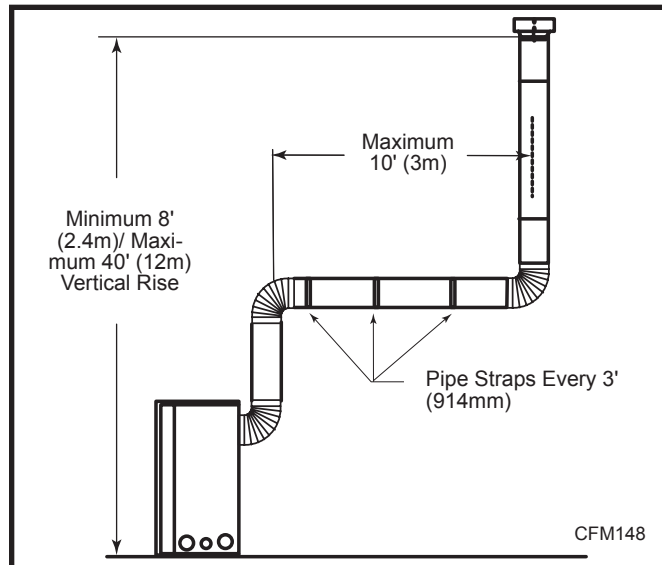


Fig. 30 Support straps for horizontal runs.

- Up to two (2) 45° elbows may be used within the horizontal run. For each 45° elbow used on the horizontal level, the maximum horizontal length must be reduced by 18" (457 mm).
Example: Maximum horizontal length:
0 x 45° elbows = 10' (3 m)
1 x 45° elbows = 8½' (2.6 m)
2 x 45° elbows = 7' (2.1 m)
- A minimum of an 8' (2.4 m) vertical rise.
- Two (2) sets of 45° elbows offset within these vertical installations. From 0 to a maximum of 8' (2.4m) of vent pipe can be used between elbows. (Fig. 30)
- 7DVCS must be used to support offsets. (Fig. 31)
This application will require that you first determine the roof pitch and use the appropriate 7DVSKV (A, B or F). Refer to Venting Components on Page 21.

Vertical Through-the-Roof Installation

1. Locate your fireplace.
2. Plumb to center of the 4" flue collar from ceiling above and mark position.
3. Cut opening equal to 9⅝" x 9⅝" (240 x 240 mm).
4. Proceed to plumb for additional openings through the roof. In all cases, the opening must provide a minimum of 1" clearance to the vent pipe, i.e., the hole must be at least 9⅝" x 9⅝" (240 x 240 mm).

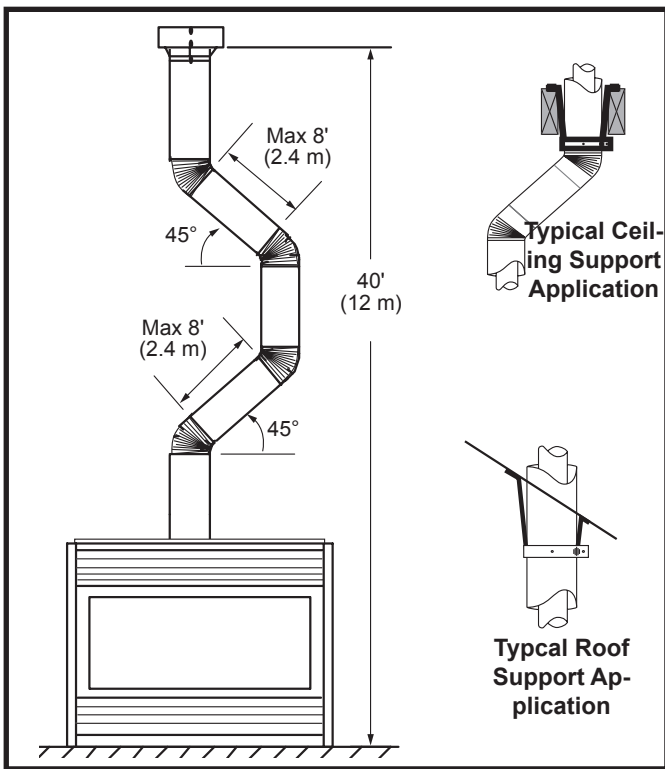


Fig. 31 Typical vertical roof application.

5. Place fireplace into position.
6. Place firestop(s) #7DVFS or attic insulation shield #7DVAIS into position and secure. (Fig. 32)
7. Install roof support (Fig. 33) and roof flashing, making sure upper flange is below the shingles. (Fig. 33)
8. Install appropriate pipe sections until the venting is above the flashing. (Fig. 33)
9. Install storm collar and seal around pipe.
10. Add additional vent lengths for proper height. (Fig. 34)
11. Apply high temperature sealant to 4" and 7" collars of vertical vent termination and install.



If there is a room above ceiling level, firestop spacers must be installed on both the bottom and the top side of the ceiling joists. If an attic is above ceiling level a 7DVAIS (Attic Insulation Shield) must be installed. (Fig. 32)



The enlarged ends of the vent section always face downward. (Fig. 33)

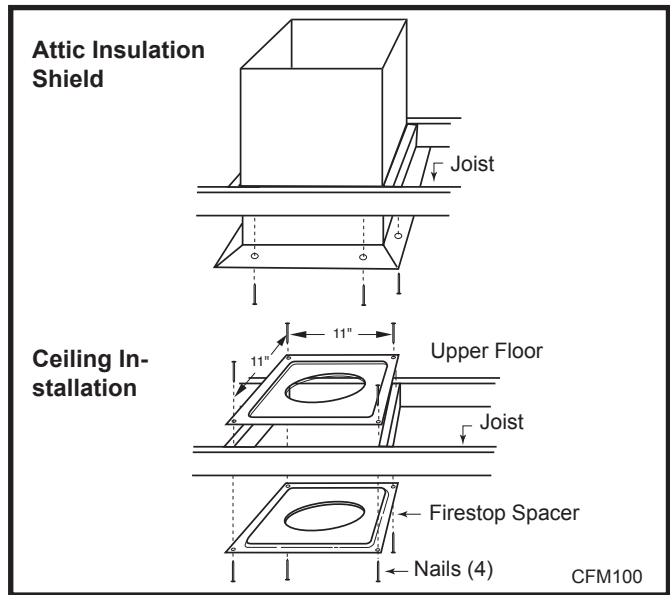


Fig. 32 Place firestop spacer(s) and secure.

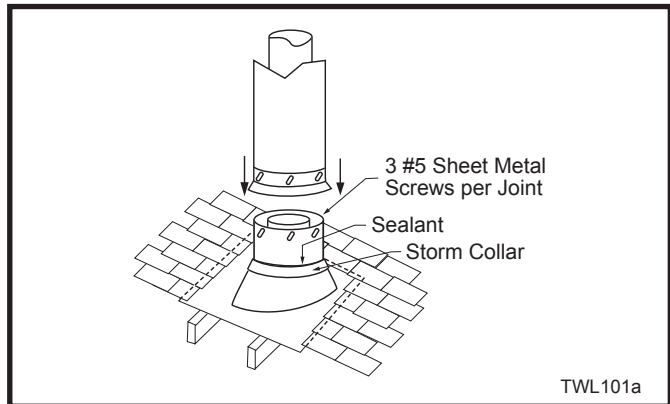


Fig. 33 Roof flashing.

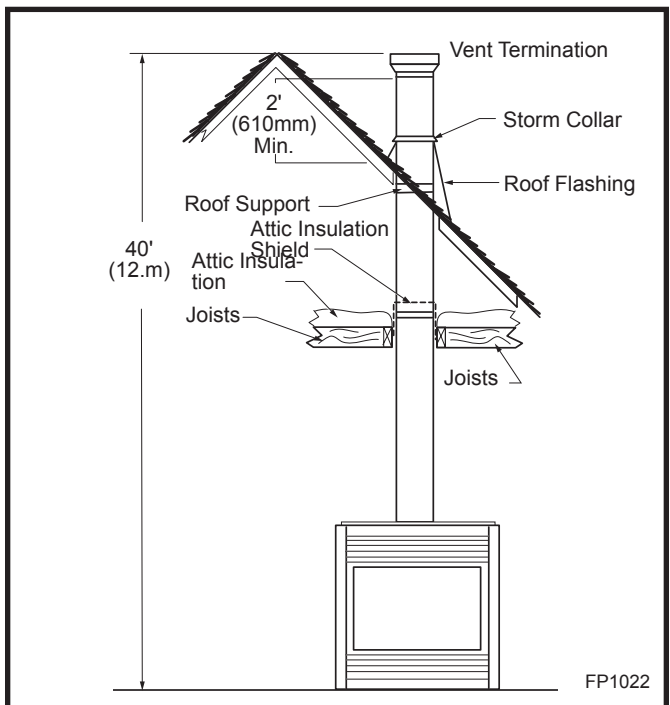
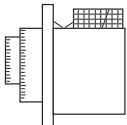
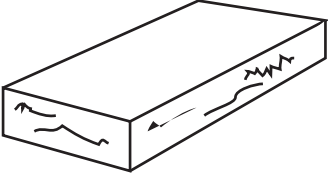

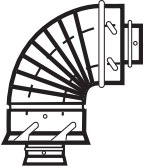
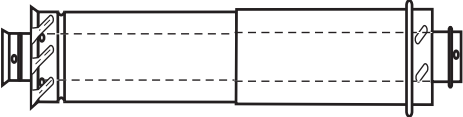
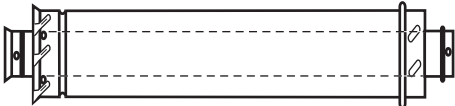
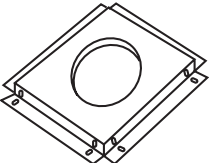
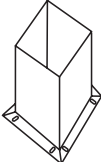



Fig. 34 Typical straight-up installation.

Twist Lock Venting Components

	<p>7TDVRVT - Through the Wall Rear Vent Termination</p>
	<p>Starter Kit -Model 7TDVSK - Sidewall Venting Starter Kit -Model 7TDVSKV - Vertical Venting for 7TDVSKV-A order 1/12 to 6/12 roof pitch for 7TDVSKV-B order 7/12 to 12/12 roof pitch for 7TDVSKV-F order flat roof Starter Kit - Model 7TDVSKS - Snorkel Kit Snorkel Termination - 7TDVSNORK for Below Grade Installation</p>
	<p>45° Elbow 7TDV45 for Rear Vent to Vertical Vent or Vertical/Horizontal Offsets</p>
	<p>90° Transition Elbow 7TDVRT90 for Rear Vent to Vertical Vent 90° Elbow 7TDV90 Vertical/Horizontal Offset</p>
	<p>Telescopic vent sections 7TDVP1218 - 12" to 18" adjustable length 7TDVP3566 - 35" to 64" adjustable length</p>
	<p>Pipe sections for vertical or horizontal venting Model 7TDVP8 Model 7TDVP12 Model 7TDVP24 Model 7TDVP36 Model 7TDVP48</p>
	<p>Firestop Spacer Model 7DVFS</p>
	<p>Attic Insulation Shield Model 7DVAIS</p>
	<p>Vertical/Horizontal Combination Offset Support Model 7DVCS</p>

Operating Instructions

General Glass Information



Only glass approved by Vermont Casting, Majestic Products should be used on this fireplace.

- The use of non-approved replacement glass will void all product warranties.
- Care must be taken to avoid breakage of the glass.
- **Do not operate appliance with glass front removed, cracked or broken.**
- **Replacement of the glass (complete with gasket) is available through your Majestic Fireplaces dealer and should be done by a licensed qualified service person.**

Louvre Removal

To remove top louvre, pull louvre up and then lift out. (Fig. 35)

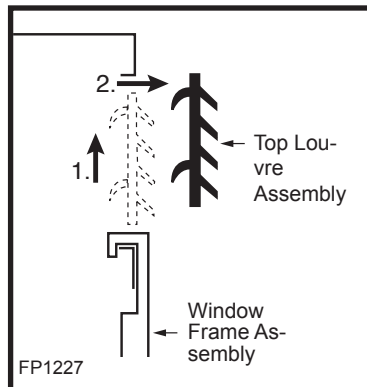


Fig. 35 Remove top louvre assembly.

Window Frame Assembly Removal

1. Shut off gas.
2. Let the fireplace cool if it has been operating.
3. Remove top louvre assembly. (See Louvre Removal)
4. Open the lower louvre assembly.
5. Release the two clamps at the bottom of the window frame by pulling down on the clamp handles. (Fig. 36)
6. Tilt window frame assembly out slightly at the bottom, lift the frame up and away from the fireplace.
7. To replace window frame assembly, reverse this procedure.

Glass Cleaning

It will be necessary to clean the glass periodically. During start-up, condensation, which is normal, forms on the inside of the glass and causes lint, dust and other airborne particles to cling to the glass surface. Also initial paint curing may deposit a slight film on the glass. It is therefore recommended the glass

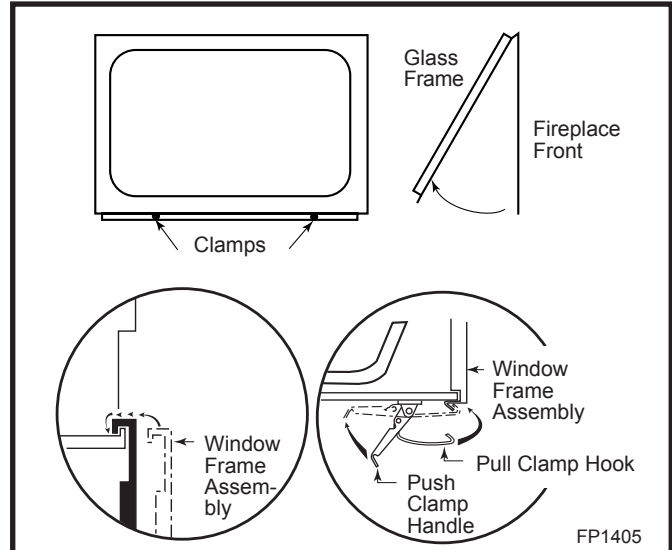


Fig. 36 Window frame assembly removal.

be cleaned two or three times with a non-ammonia household cleaner and warm water (we recommend gas fireplace glass cleaner). After that the glass should be cleaned two or three times during each heating season depending on the circumstances present.



Clean glass after first two weeks of operation.

Do not clean glass when it is hot.

Do not use abrasive cleaners.

Do not strike or slam the glass.

Installation of Logs & Burner Lava Rock Material

Refer to Figure 37.

1. Remove window frame assembly.
2. Remove logs from packaging.
3. Place rear log (B15) on rear bracket (ensure log is seated properly, levelled and centered to the unit), so it will not move from side to side and it is firmly positioned on the bracket.
4. Slip front ember log (B12) down in the front deflector.
5. Place front left log (B13) on top burner, left side. Use log's bottom holes to locate it into the left bracket log locator studs.
6. Place front right log (B14) on top of burner, right side. Use log's bottom holes to locate it into the right bracket log locator studs.
7. Place burner lava rock on top of burner. (Fig. 37) Refer to "Setting Temperature Rise".
8. Place top right log (B17) onto locator notches. Ensure log is secure.

9. Place top left log (B16) onto locator notches. Ensure log is secure.



Top logs must be placed properly onto notches.

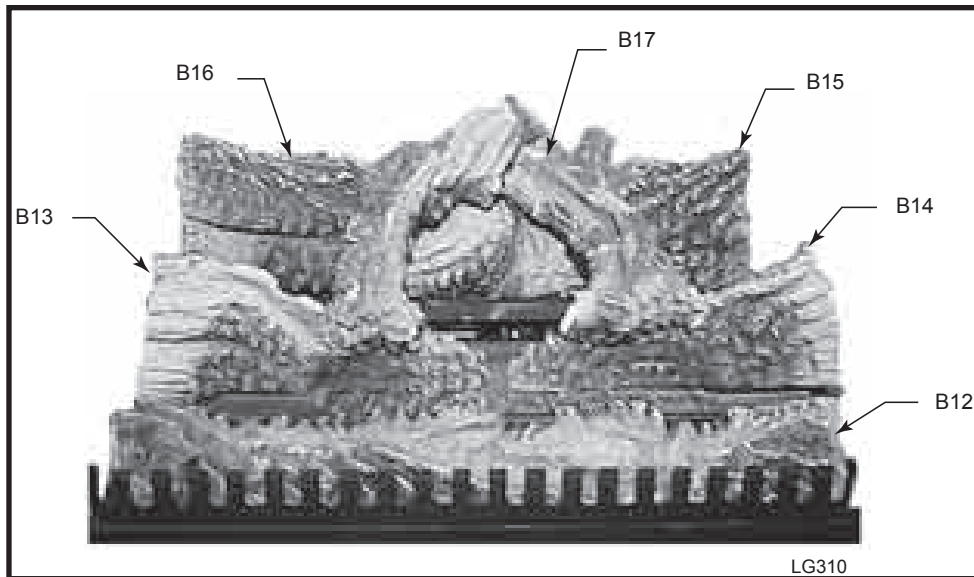


Fig. 37 DVHVAC36 log placement.

Setting Temperature Rise

With the unit installed and operating at equilibrium, adjust the temperature rise through the unit to between 25° and 50° Fahrenheit.

Lava Rock

The lava rock provided with this fireplace must be placed on the firebox base on either side of the burner assembly.



Under no circumstances should this lava rock be placed on any part of the burner assembly.

Flame Adjustment

The DVHVAC36 is equipped with a HI/LO flame adjustment knob located on the front of the electrical junction box. Rotating the knob will adjust the flame height and heat output of the unit. (Fig. 38)

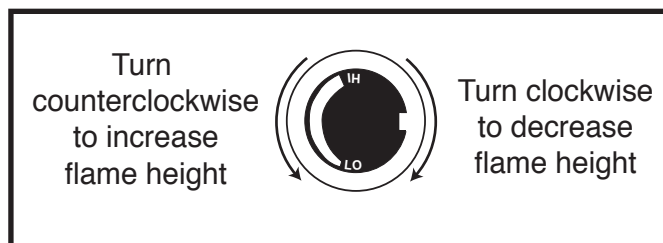


Fig. 38 Flame adjustment knob for SIT valve.

Emergency Heat

In the event of a power outage, the DVHVAC36 unit can be run in an emergency heat mode. Simply turn the unit on by toggling the rocker switch located on the front of

the electrical junction box to the "ON" position. This will turn on the fireplace burner in a low fire condition. The unit will provide heat to the room in which the fireplace is installed. When power is restored, toggle the emergency heat switch to the "OFF" position.

NOTE: When in the emergency heat mode, the air circulating fan will not operate. In order to prevent overheating of the duct work, the unit will periodically cycle on and off. The length of cycles will depend upon factors such as the length and design of the duct-work, interior temperature and venting arrangements.

NOTE: When the electricity is off, the thermostat will not operate

the unit. The unit must be controlled manually through the emergency heat switch located on the front of the electrical junction box.

Flame Characteristics

It is important to periodically perform a visual check of the pilot and the burner flames. Compare them to Figures 39 & 40. If any of the flames appear abnormal, contact a qualified service provider for service and adjustment.

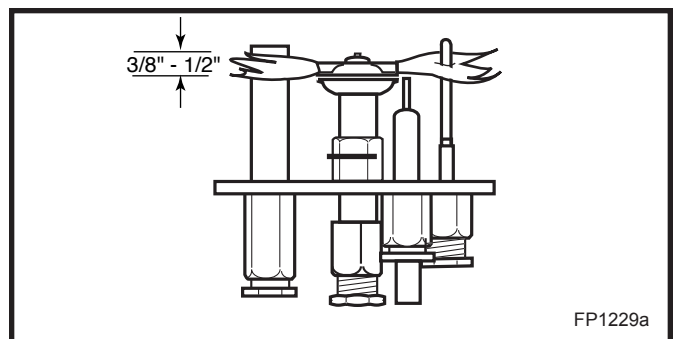


Fig. 40 Correct pilot flame appearance.

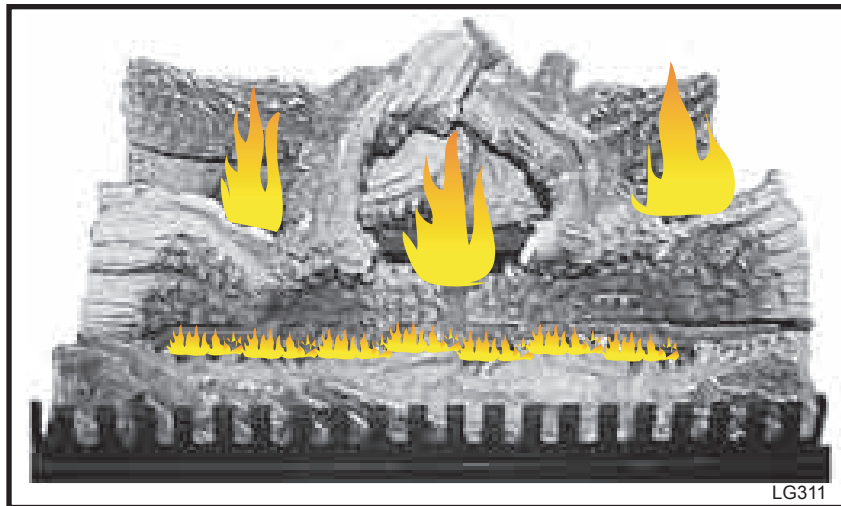


Fig. 39 Correct burner flame pattern for DVHVAC36.

Inspecting the Venting System

This appliance venting system was designed and constructed to develop a positive flow adequate to remove flue gases to the outside atmosphere.

Any foreign objects in the venting system, except those designed specifically for the venting system, may cause spillage of flue gases.

To inspect the venting heat exchanger system, make sure the main gas valve is off. Remove window frame assembly. (Refer to Window Frame Assembly Removal section) Using a flashlight, check the area above the baffle in the combustion dome. Clean if necessary.

Inspecting the Venting/Heating Exchange System

Any foreign objects or corrosion in the heat exchanger or venting system may cause spillage or leakage of the gases into the living space.

Ceramic Refractory Installation

1. Remove window frame assembly and logs.
2. Place refractory side supports so that the hole fits over the screw head on the firebox floor.
3. Place refractory base sides on the floor of the firebox.
4. Attach adjustable tabs, packed with refractory, onto the studs found on the top of the firebox using the 2-10/24 nuts provided.
5. Place back refractory - small brick edge down into support and swing into position. (Fig. 41)
6. Slide side panels into side supports and behind side tab and adjust, fitting the ceramic tight to the side of the firebox. Tighten nuts. (Fig. 42)



Mortar lines must be aligned.

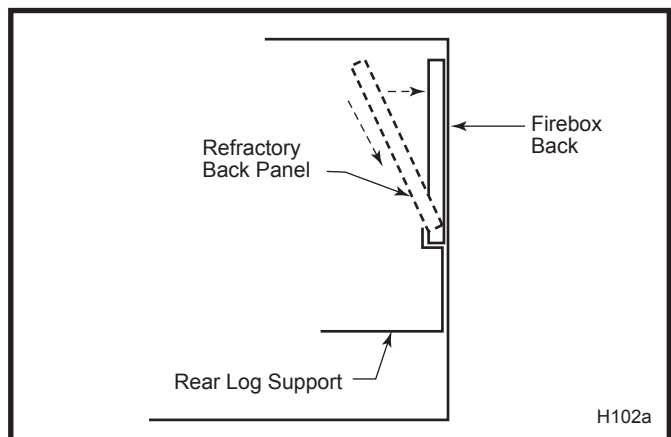


Fig. 41 Place back refractory into support and swing into position.

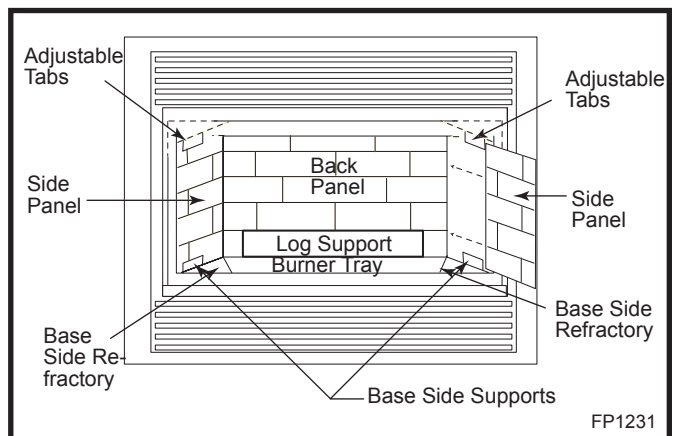


Fig. 42 Ceramic refractory installation.

Lighting & Operating Instructions

For fireplaces equipped with SIT 825 Millivolt Gas Valve

FOR YOUR SAFETY READ BEFORE LIGHTING


WARNING: If you do not follow these instructions exactly, a fire or explosion may result causing property damage, personal injury or loss of life.

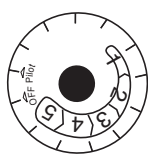
- A. This heater has a pilot which must be lit manually. When lighting the pilot follow these instructions exactly.
- B. BEFORE LIGHTING smell all around the heater area for gas. Be sure to smell next to the floor because some gas is heavier than air and will settle on the floor.

WHAT TO DO IF YOU SMELL GAS

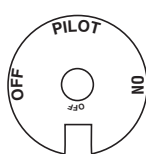
- Do not try to light any fireplace
 - Do not touch any electric switch
 - Do not use any phone in your building
 - Immediately call your gas supplier from a neighbor's phone. Follow the gas supplier's instructions.
- C. Use only your hand to push in or turn the gas control knob. Never use tools. If the knob will not push in or turn by hand, do not try to repair it, call a qualified service technician. Applying force or any attempted repair may result in a fire or explosion.
- D. Do not use this fireplace if any part has been under water. Immediately call a qualified service technician to inspect the heater and to replace any part of the control system and any gas control which has been under water.

Lighting Instructions

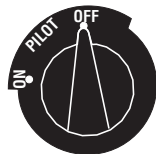
1. **STOP!** Read the safety information above.
2. Turn the ON/OFF switch to "OFF" position or set the thermostat to lowest setting.
3. Turn off all electrical power to the fireplace.
4. Open control access panel.
5. Remove glass door before lighting pilot. (See Glass Door Removal)
6. Push in gas control knob slightly and turn clockwise  to "OFF".




Euro SIT



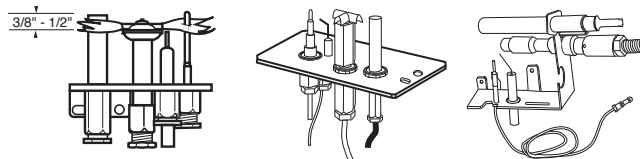
SIT NOVA




Honeywell

7. Wait fifteen (15) minutes to clear out any gas. Then smell for gas, including near the floor. If you smell gas, STOP! Follow "B" in the safety information above. If you do not smell gas, go to the next step.
8. Visibly locate pilot by the main burner.
9. Turn knob on gas control counterclockwise  to "PILOT".
10. Push the control knob all the way in and hold. Immediately light the pilot by repeatedly depress-

ing the piezo spark ignitor until a flame appears. Continue to hold the control knob in for about one (1) minute after the pilot is lit. Release knob and it will pop back up. Pilot should remain lit. If it goes out, repeat steps 5 through 8.



- If knob does not pop up when released, stop and immediately call your service technician or gas supplier.
 - If after several tries, the pilot will not stay lit, turn the gas control knob to "OFF" and call your service technician or gas supplier.
11. Turn gas control counterclockwise  to the "ON" position.
 12. Replace glass door.
 13. Turn on all electrical power to the fireplace.
 14. Turn the ON/OFF switch to "ON" position or set the thermostat to desired setting.
 15. This valve is equipped with a HI/LO feature. Set fireplace input as desired.

To Turn Off Gas To Heater

1. Turn the On/Off switch to Off position or set the thermostat to lowest setting.
2. Turn off all electric power to the fireplace if service is to be performed.
3. Open control access panel.
4. Push in gas control knob slightly and turn clockwise  to "OFF". Do not force.
5. Close control access panel.

Troubleshooting the Gas Control System

SIT NOVA 825 Millivolt Valve

NOTE: Before troubleshooting the gas control system, be sure external gas shut off is in the "ON" position.

SYMPTOM	POSSIBLE CAUSES	CORRECTIVE ACTION
1. Spark ignitor will not light	A. Defective or misaligned electrode at pilot.	Using a match, light pilot. If pilot lights, turn off pilot and push the red button again. If pilot will not light - check gap at electrode and pilot-should be 1/8" to have a strong spark.
	B. Defective ignitor (Push Button)	Push Piezo Ignitor Button. Check for spark at electrode and pilot. If no spark to pilot, and electrode wire is properly connected, replace ignitor.
2. Pilot will not stay lit after carefully following lighting instructions.	A. Defective pilot generator (thermocouple)	Check pilot flame. Must impinge on thermocouple/thermopile. Note: this pilot burner assembly utilizes both-a thermocouple and a thermopile. The thermocouple operates the main valve operation (On and Off). Clean and or adjust pilot for maximum flame impingement on thermopile and thermocouple.
	B. Defective automatic valve	Turn valve knob to "Pilot". Maintain flow to pilot; millivolt meter should read greater than 10 mV. If the reading is okay and the pilot does not stay on, replace the gas valve. Note: An interrupter block (not supplied) must be used to conduct this test.
3. Pilot burning, no gas to main burner, Valve knob "ON", thermostat "ON"	A. Thermostat or wires defective	Check wall switch and wires for proper connections.
	B. Thermopile may not be generating sufficient millivoltage.	<ol style="list-style-type: none"> 1. Be sure wire connections from thermopile at gas valve terminals are tight and thermopile is fully inserted into pilot bracket. 2. One of the wall switch wires may be grounded. Remove wall switch wires from valve terminals if pilot now stays lit, trace wall switch wiring for ground. May be grounded to fireplace or gas supply. 3. Check thermopile with millivolt meter. Take reading at thermopile terminals of gas valve. Should read 325 millivolts while holding valve knob depressed in pilot position and wall switch "Off". Replace faulty thermopile if reading is below specified minimum.
	C. Plugged burner orifice.	Check burner orifices for debris and remove.
	D. Defective automatic valve operator.	Turn valve knob to "On", place wall switch to "On" millivolt meter should read greater than 100 mV. If the reading is okay and the burner does not come on, replace the gas valve.
	E. Transformer defective. F. Power Not ON. G. heat demand satisfied.	
4. Frequent pilot outage problem.	A. Pilot flame may be too low or blowing (high) causing the pilot safety to drop out.	Clean and/or adjust pilot flame for maximum flame impingement on thermopile and thermocouple.
	B. Possible blockage of the vent terminal.	Check the vent terminal for blockage

Maintenance

1. It is important to keep the burner and the burner compartment clean. This must be done periodically, at least once per season.
2. Clean the brass trim using a soft clean cloth, slightly dampened with lemon oil and buff with a soft clean cloth. **DO NOT** use brass polish or household cleaners as these products will damage the brass trim. Lemon oil can be obtained at supermarkets or hardware stores.
3. Periodically check and clean the air circulating blower wheel of any debris. Blower motors are prelubricated for extended bearing life. No further lubrication is required. **WARNING:** Disconnect power before servicing the air circulating blower.
4. The air filter should be inspected monthly and replaced when necessary with a 16" x 16" x 1" filter.
5. When servicing, check all electrical wiring for loose connections.



WARNING: Disconnect power before servicing.

6. Contact your local representative to arrange an annual service program.

Cleaning the Standing Pilot Control System

The burner and control system consist of:

- burner tube
- gas orifice
- pilot assembly
- thermopile
- millivolt gas valve

Most of these components may require only an occasional checkup and cleaning and some may require adjustment. **If repair is necessary, it should be performed by a qualified technician.**

1. Turn off pilot light at gas valve.
2. Allow fireplace to cool if it has been operating.
3. Remove window frame assembly. (Refer to Window Frame Assembly Removal section.)
4. Remove logs.
5. Vacuum burner compartment especially around orifice primary air openings.
6. Visually inspect pilot. Brush or blow away any dust or lint accumulation.
7. Reinstall logs.
8. Ignite pilot - Refer to Lighting Instructions.
9. Reinstall window frame assembly.

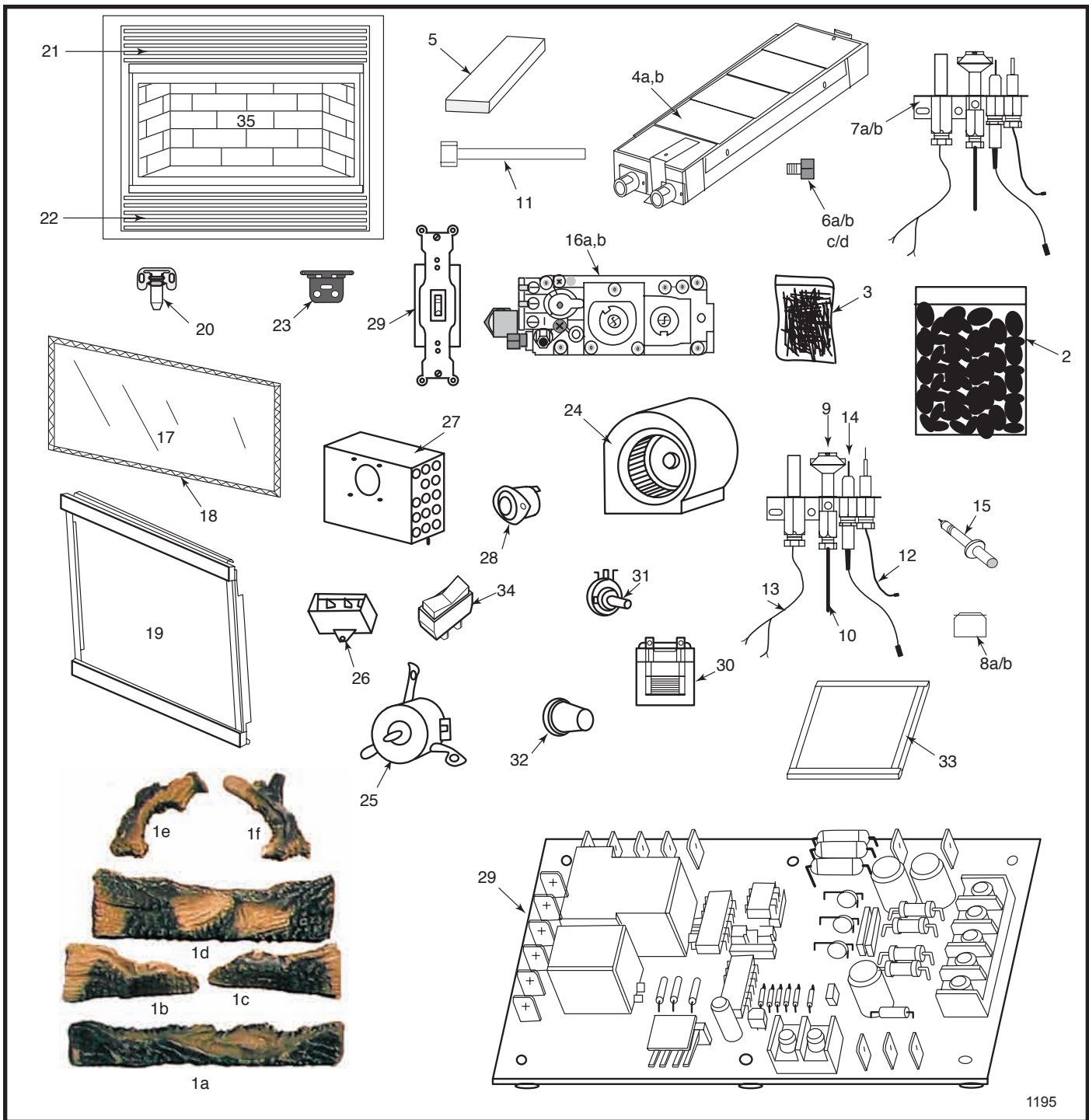
To obtain proper operation, it is imperative that the pilot and burner's flame characteristics are steady, not lifting or floating.

Typically, the top 3/8" to 1/2" (10mm or 13mm) of the thermopile should be engulfed in the pilot flame. (Refer to Page 21, Figure 40)

To adjust pilot burner: (by qualified service technician)

1. Remove pilot adjustment cap
2. Adjust pilot screw to provide properly sized flame.
3. Replace pilot adjustment cap.

The primary air shutter is set at factory and should only be adjusted, if necessary, by a qualified service technician.



1195

CFM Corporation reserves the right to make changes in design, materials, specifications, prices and discontinue colors and products at any time, without notice.

DVHVAC36

Ref.	Description	DVHVAC36
1.	Log Set Complete	10001196
1a.	Log Ember Front	B12
1b.	Log Front Left	B13
1c.	Log Front Right	B14
1d.	Log Rear	B15

DVHVAC36 (continued)

Ref.	Description	DVHVAC36
1e.	Log Top Left	B16
1f.	Log Top Right	B17
2.	Lava Rock (Package)	10001454
3.	Burner Lava Rock (Package)	57897
4a.	Burner Housing and tiles Nat.	10001047
4b.	Burner Housing and tiles Prop.	10001048
5.	Ceramic Tile (single)	57803
6a.	Orifice Main Burner Nat.	See Rating Plate for Orifice Size
6b.	Orifice Front Burner Nat.	See Rating Plate for Orifice Size
6c.	Orifice Main Burner Prop.	See Rating Plate for Orifice Size
6d.	Orifice Front Burner Prop.	See Rating Plate for Orifice Size
7a.	Pilot Assembly Nat. (3 Way)	10002264
7b.	Pilot Assembly Prop. (3 Way)	10002265
8a.	Orifice Pilot Nat.	54273
8b.	Orifice Pilot Prop.	54272
9.	Pilot (3 Way)	10001295
10.	Pilot Tubing w/fittings	53211
11.	Manifold Tubing w/fittings	57318
12.	Thermocouple	53373
13.	Thermopile	51827
14.	Electrode Ignitor w/cable	10001297
15.	Ignitor Piezo	52464
16a.	Valve SIT 825 Nat. (RN)	10001059
16b.	Valve SIT 825 Prop. (RP)	10001060
17.	Glass with Gasket	54427
18.	Gasket Glass	57317
19.	Frame Window Assembly	10001425
20.	Clamp Frame Window	54174
21.	Top Louvre Assembly	10000037
22.	Bottom Louvre Assembly	10000038
23.	Access Door Hinge	52356
24.	Blower Housing / Wheel	10001164
25.	Blower Motor	10005689
26.	Capacitor	10001166
27.	Heat Exchanger	10000893
28.	Limit Control Sensor	10001172
29.	Circuit Board	10001167
30.	Transformer	7522409
31.	Potentiometer	10001168
32.	Knob	10001169
33.	Air Filter	10001171
34.	Rocker Switch	53606
35.	Ceramic Refractory Kit	10001341

Optional Accessories

Decorative Bay Window



When fitting the bay window kits, the original front frame/glass assembly must remain in place. The bay window kit is fitted over the existing front glass.

1. Remove existing bottom louvre assembly and hinges from fireplace. (Set aside the two (2) self tapping screws).
2. Remove existing top louvre from fireplace.
3. Assemble Bay Window Kit according to instructions supplied with kit.
4. Place the two pieces of ceramic refractory along the base of the bay window. (Fig. 43)
5. Hang bay window assembly over existing window frame assembly.



Do not remove existing window frame assembly.

6. Re-install upper louvre assembly.



Remove all plastic from brass trims.

7. Bottom brass trim is removable when unit is installed with marble or tile surround which covers the fireplace bottom.

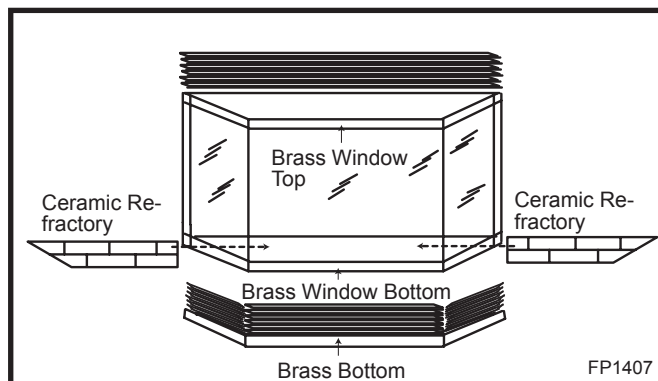


Fig. 43 DVHVAC36 bay window.

LIMITED LIFETIME WARRANTY

PRODUCT COVERED BY THIS WARRANTY

All Vermont Castings gas stoves, gas inserts, and gas fireplaces, and all Majestic brand gas fireplaces equipped with an Insta-Flame Ceramic Burner, or standard steel tube burner.

BASIC WARRANTY

CFM Corporation (hereinafter referred to collectively as the Company) warrants that your new Vermont Castings or Majestic Gas Fireplace/Stove is free from manufacturing and material defects for a period of one year from the date of purchase, subject to the following conditions and limitations.

EXTENDED LIFETIME WARRANTY

The heat exchanger, where applicable, and combustion chamber of every Vermont Castings or Majestic gas product is warranted for life against through wall perforation. All appliances equipped with an Insta-Flame Ceramic Burner have limited lifetime coverage on the ceramic burner plaque. Warrantees are made to the original owner subject to proof of purchase and the conditions and limitations listed on this Warranty Document

COMPONENT WARRANTY

CAST IRON: All external and internal cast iron parts are warranted for a period of three years.

Note: On porcelain enamel finished external parts and accessories The Company offers no Warranty on chipping of enamel surfaces. Inspect all product prior to accepting it for any damage to the enamel.

The salt air environment of coastal areas or a high humidity environment can be corrosive to the porcelain enamel finish. These conditions can cause rusting of the cast iron beneath the porcelain enamel finish, which will cause the finish to flake off.

Dye lot variations with replacement parts and/or accessories can occur and are not covered by warranty.

GLASS DOORS: Glass doors are covered for a period of one year. Glass doors are not warranted for breakage due to misuse or accident. Glass doors are not covered for discoloration or burned in stains due to environmental issues, or improper cleaning and maintenance.

BRASS PLATED PARTS AND ACCESSORIES: Brass parts should be cleaned with Lemon oil only. Brass cleaners cannot be used. Mortar mix and masonry cleaners may corrode the brass finish. The Company will not be responsible for, nor will it warrant any brass parts which are damaged by external chemicals or down draft conditions.

GAS VALVES: Gas valves are covered for a period of one year

ELECTRONIC AND MECHANICAL COMPONENTS: Electronic and mechanical components of the burner assembly are covered for one year. All steel tube burners are warranted for one year.

ACCESSORIES: Unless otherwise noted all components and CFM Corporation company supplied accessories are covered for a period of one year.

CONDITIONS AND LIMITATIONS

- This new Vermont Castings or Majestic product must be installed by a competent, authorized, service contractor. A licensed technician, as prescribed by the local jurisdiction must perform any installation/service work. It must be installed and operated at all times in accordance with the Installation and Operating instructions furnished with the product. Any alteration, willful abuse, accident, or misuse of the product shall nullify this warranty.
- This warranty is non-transferable, and is made to the original owner, provided that the purchase was made through an authorized supplier of the Company.
- The customer must pay for any Authorized Dealer in-home travel fees or service charges for in-home repair work. It is the dealers option whether the repair work will be done in the customer's home or in the dealer's shop.
- If upon inspection, the damage is found to be the fault of the manufacturer, repairs will be authorized at no charge to the customer parts and/or labor.

- Any part and/or component replaced under the provisions of this warranty is covered for six months or the remainder of the original warranty, whichever is longest.
- This warranty is limited to the repair of or replacement of part(s) found to be defective in material or workmanship, provided that such part(s) have been subjected to normal conditions of use and service, after said defect is confirmed by the Company's inspection.
- The company may, at its discretion, fully discharge all obligations with respect to this warranty by refunding the wholesale price of the defective part(s)
- Any installation, labor, construction, transportation, or other related costs/expenses arising from defective part(s), repair, replacement, or otherwise of same, will not be covered by this warranty, nor shall the Company assume responsibility for same. Further, the Company will not be responsible for any incidental, indirect, or consequential damages except as provided by law.
- SOME STATES DO NOT ALLOW FOR THE EXCLUSION OR LIMITATIONS OF INCIDENTAL AND CONSEQUENTIAL DAMAGES OR LIMITATIONS ON HOW LONG AN IMPLIED WARRANTY LASTS, SO THE ABOVE LIMITATIONS MAY NOT APPLY TO YOUR CIRCUMSTANCES. THIS WARRANTY GIVES YOU SPECIFIC RIGHTS AND YOU MAY HAVE OTHER RIGHTS WHICH VARY FROM STATE TO STATE.
- All other warranties-expressed or implied- with respect to the product, its components and accessories, or any obligations/liabilities on the part of the Company are hereby expressly excluded.
- The Company neither assumes, nor authorizes any third party to assume on its behalf, any other liabilities with respect to the sale of this Vermont Castings, Majestic product
- The warranties as outlined within this document do not apply to chimney components or other non Vermont Castings, Majestic accessories used in conjunction with the installation of this product..
- Damage to the unit while in transit is not covered by this warranty but is subject to claim against the common carrier. Contact the dealer from whom you purchased your fireplace/stove (do not operate the appliance as this might negate the ability to process the claim with the carrier).
- The Company will not be responsible for:
 - a) Down drafts or spillage caused by environmental conditions such as near-by trees, buildings, roof tops, hills, or mountains.
 - b) Inadequate ventilation or negative air pressure caused by mechanical systems such as furnaces, fans, clothes dryers, etc.
- This warranty is void if:
 - a) The fireplace has been operated in atmospheres contaminated by chlorine, fluorine, or other damaging chemicals.
 - b) The fireplace has been subjected to prolonged periods of dampness or condensation
 - c) Any damages to the fireplace, combustion chamber, heat exchanger or other components due to water, or weather damage, which is the result of but not limited to, improper chimney/venting installation.
 - d) Any alteration, willful abuse, accident, or misuse of the product has occurred.

IF WARRANTY SERVICE IS NEEDED...

- 1) Contact your supplier. Make sure you have your warranty, your sales receipt, and the model/serial number of your Vermont Castings, Majestic product.
- 2) DO NOT ATTEMPT TO DO ANY SERVICE WORK YOURSELF.

Canada

ENERGUIDE

**Look for the EnerGuide
Gas Fireplace Energy
Efficiency Rating in this brochure**

Based on CSA P.4.1-02

Efficiency Ratings				
Model	EnerGuide Ratings Fireplace Efficiency (%)	Steady State (%)		D.O.E. (AFUE%)
		Fan-OFF	Fan-ON	
DVHVAC36RN	76	83	84	77.1
DVHVAC36RP	76	84	85	77.1

**NATIONAL
FIREPLACE
INSTITUTE**



CERTIFIED

www.nficertified.org

We recommend that our gas hearth products be installed and serviced by professionals who are certified in the U.S. by the National Fireplace Institute® (NFI) as NFI Gas Specialists.

CFM Corporation

410 Admiral Blvd. • Mississauga, Ontario, Canada L5T 2N6
800-668-5323 • www.cfmcorp.com

Free Manuals Download Website

<http://myh66.com>

<http://usermanuals.us>

<http://www.somanuals.com>

<http://www.4manuals.cc>

<http://www.manual-lib.com>

<http://www.404manual.com>

<http://www.luxmanual.com>

<http://aubethermostatmanual.com>

Golf course search by state

<http://golfingnear.com>

Email search by domain

<http://emailbydomain.com>

Auto manuals search

<http://auto.somanuals.com>

TV manuals search

<http://tv.somanuals.com>