



WHITE-RODGERS

1A11-2

Fan Coil Heating-Cooling Thermostat
INSTALLATION INSTRUCTIONS

Operator: Save these instructions for future use!

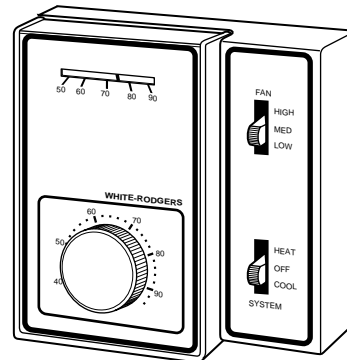
FAILURE TO READ AND FOLLOW ALL INSTRUCTIONS CAREFULLY BEFORE INSTALLING OR OPERATING THIS CONTROL COULD CAUSE PERSONAL INJURY AND/OR PROPERTY DAMAGE.

DESCRIPTION

The 1A11-2 thermostat controls line voltage valves and/or blower motors on fan coil units in manual changeover, heating/cooling systems. It features a system switch for manual selection of heat -off-cool, a three speed manual fan control switch, an adjustable temperature dial with a 36 to 90°F range, and an indicating thermometer, all combined in one deluxe-styled control.

Color-coded leads are provided for connection to field wiring. The thermostat can be wired to perform the following functions:

- Thermostat cycles both fan and valve.
- Thermostat cycles fan only.
- Thermostat cycles valve only.
- System switch "OFF" breaks all circuits.



PRECAUTIONS

If in doubt about whether your wiring is millivolt, line, or low voltage, have it inspected by a qualified heating and air conditioning contractor, electrician, or someone familiar with basic electricity and wiring.

Do not exceed the specification ratings.

All wiring must conform to local and national electrical codes and ordinances.

This control is a precision instrument, and should be handled carefully. Rough handling or distorting components could cause the control to malfunction.

⚠ CAUTION

To prevent electrical shock and/or equipment damage, disconnect electric power to system, at main fuse or circuit breaker box, until installation is complete.

⚠ WARNING

Do not use on circuits exceeding specified voltage. Higher voltage will damage control - could cause shock or fire hazard.



WHITE-RODGERS DIVISION
EMERSON ELECTRIC CO.
9797 REAVIS ROAD
ST. LOUIS, MISSOURI 63123-5398

Printed in U.S.A.

PART NO. 37-4113D
Replaces 37-4113C
9609

SPECIFICATIONS

Switch Action: SPDT
(Heating - open on rise)
(Cooling - close on rise)

Temperature Range: 36°F to 90°F (2°C to 32°C)

⚠ CAUTION

When the thermostat is set below 40°F (5°C), damage to the building and/or contents may result due to freezing. This is possible due to factory calibration tolerances, thermostat location and operating characteristics of the heating equipment.

System Switch: Heat - Off - Cool

Fan Switch : Low - Medium - High

Contact Structure: Snap action

Electrical Rating:

VOLTAGE (AC)	120V	240V	277V
Full Load Amps.	5.5	2.75	2.3
Locked Rotor Amps.	33.0	16.5	13.8
Pilot Duty	125VA		

Mounting: Standard 2 x 4 inch outlet box or 2-ganged outlet boxes. Mounting screws are provided with the thermostat. With a standard adapter plate (not provided), this thermostat may be mounted on a 4 inch square junction box

INSTALLATION

SELECT THERMOSTAT LOCATION

Proper location insures that the thermostat will provide a comfortable home temperature. Observe the following general rules when selecting a location:

1. Locate thermostat about 5 ft. above the floor.
2. Install thermostat on a partitioning wall, not on an outside wall.
3. Never expose thermostat to direct light from lamps, sun, fireplaces or any temperature radiating equipment.
4. Avoid locations close to windows, adjoining outside walls, or doors that lead outside.
5. Avoid locations close to air registers or in the direct path of air from them.
6. Make sure there are no pipes or duct work in that part of the wall chosen for the thermostat location.
7. Never locate thermostat in a room that is warmer or cooler than the rest of the home, such as the kitchen.
8. Avoid locations with poor air circulation, such as behind doors or in alcoves.
9. The living or dining room is normally a good location, provided there is no cooking range or refrigerator on opposite side of wall.

INSTALL THERMOSTAT

⚠ CAUTION

To prevent electrical shock and/or equipment damage, disconnect electric power to system at main fuse or circuit breaker box until installation is complete.

The thermostat may be mounted on a standard 2 x 4 inch vertical outlet box or 2-ganged outlet boxes. When mounting to a 4 x 4 inch junction box is required, use of a standard adapter plate (not provided) is necessary. **USE COPPER CONDUCTORS ONLY.**

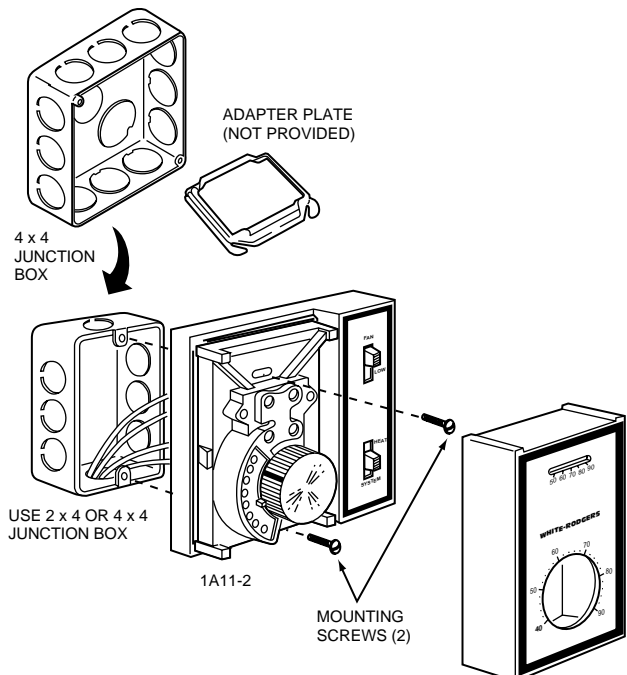
Install the thermostat as follows:

1. Before mounting, connect system wiring to proper color-coded leads at rear of thermostat. Follow equipment manufacturer's instructions or refer to wiring diagram for typical system hookups.
2. Remove thermostat cover by grasping top and bottom of cover and pull straight out. Dress wiring into junction box and secure thermostat to outlet box with mounting screws.

NOTE

DO NOT PUSH OR DAMAGE THE KNOB SENSING ELEMENT DURING INSTALLATION.

3. Install thermostat cover, turn knob to desired setting, and set selector switches for the appropriate system function and fan speed.



WIRING

⚠ CAUTION

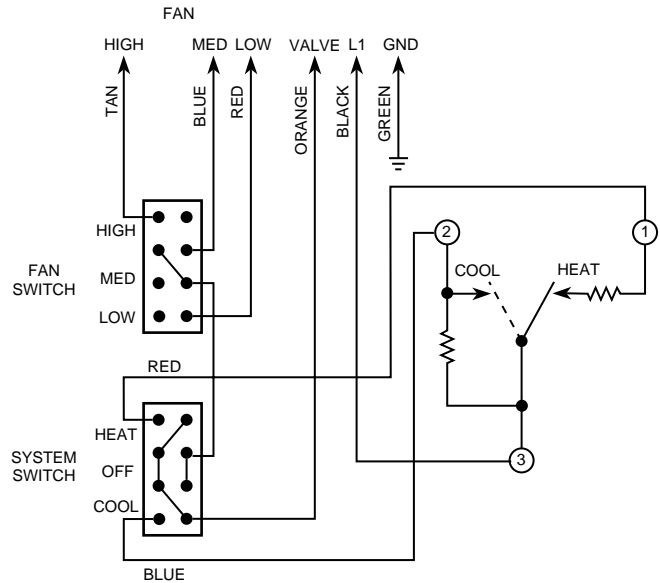
To prevent electrical shock and/or equipment damage, disconnect electric power to system at main fuse or circuit breaker box until installation is complete.

NOTE

This typical wiring diagram shows only the terminal identification and wiring hookup. Always refer to wiring instructions, provided by equipment manufacturer, for system hookup operation.

All wiring should be done according to local and national electrical codes and ordinances.

- Thermostat cycles both fan and valve
- Thermostat cycles fan only (if valve is not used, tape orange lead)
- System "OFF" breaks both valve and fan circuits
- Thermostat cycles valve only with continuous fan (interchange valve and L1 leads)



**1A11-2 5-wire for single valve,
manual heat/cool changeover**

Free Manuals Download Website

<http://myh66.com>

<http://usermanuals.us>

<http://www.somanuals.com>

<http://www.4manuals.cc>

<http://www.manual-lib.com>

<http://www.404manual.com>

<http://www.luxmanual.com>

<http://aubethermostatmanual.com>

Golf course search by state

<http://golfingnear.com>

Email search by domain

<http://emailbydomain.com>

Auto manuals search

<http://auto.somanuals.com>

TV manuals search

<http://tv.somanuals.com>