

PRODUCT:

QUANTITY:

ITEM #:

Models:  RTR-8  RTR-4

## Designed Smart

### RTR-8 Refrigerated Countertop Unit

- Refrigerated countertop system that keeps everything at NSF safe temperatures.
- Holds 4 pans 1/6th size by 4" deep in the lower section and 4 pans 1/6th size by 4" deep in the lower section and 4 pans 1/6th size by 6" deep in the upper section .
- Each pan has its own hinged, removable cover.
- All pans are completely removable for easy cleaning.
- All stainless steel construction and 1/2" nonadjustable legs.
- Cold wall refrigeration system utilizes a 1/5 HP compressor. Pumps are available.

### RTR-4 Refrigerated Countertop Unit

- Smaller model for tight counter space
- Refrigerated countertop system that keeps everything at NSF safe temperatures.
- Holds 4 pans 1/6th size by 6" deep.
- Each pan has its own hinged, removable cover.
- All pans are completely removable for easy cleaning.
- All stainless steel construction and 1/2" nonadjustable legs.
- Cold wall refrigeration system utilizes at 1/6 HP compressor.



RTR-8 Refrigerated Topping Rail



RTR-4 Refrigerated Topping Rail

## Built Solid

### Reliability backed by APW Wyott's Warranty

- APW Wyott Refrigerated Topping Rails are backed by a 1-year parts and labor warranty, including on-site service calls within 50 miles of authorized service technicians.
- Certified by the following agencies:



## APW Wyott Design Features

- Stainless steel construction
- RTR-8 has 1/5 HP refrigeration unit
- RTR-4 has 1/6 HP refrigeration unit
- Removable polycarbonate food wells with hinged acrylic covers.
- Optional 4" adjustable legs available for the RTR-8

## Options

- LEGS-4 4" leg package (RTR-8 only) (4939100)
- COMP-5 5-year compressor warranty

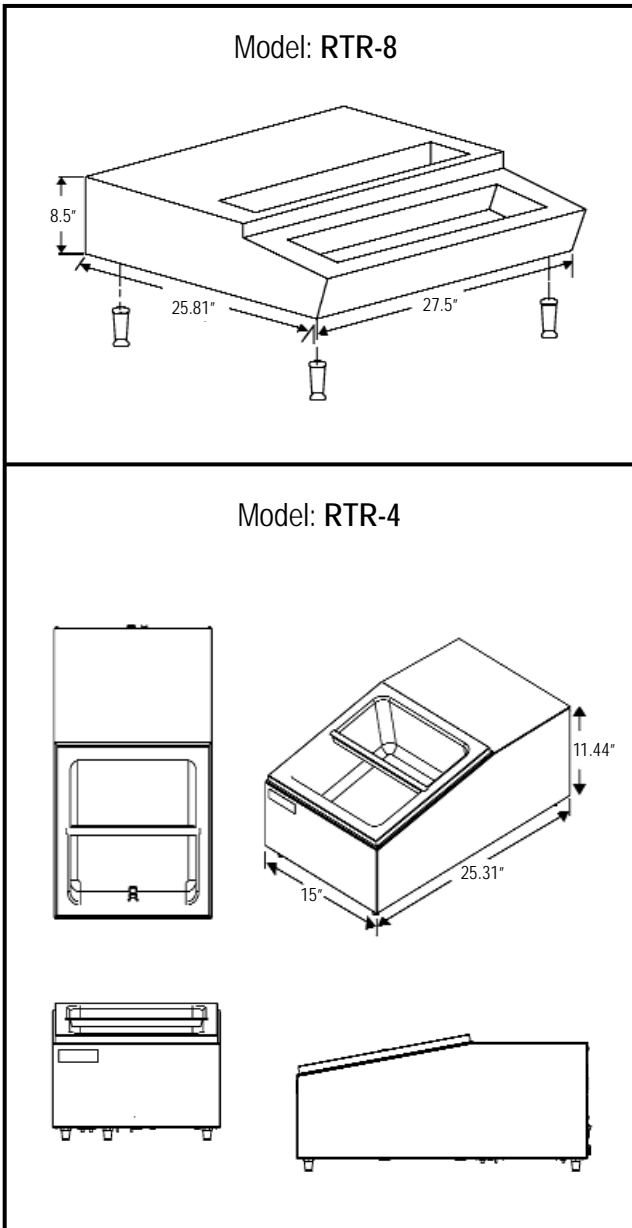
See reverse side for product specifications.

PRODUCT:

QUANTITY:

ITEM #:

Models:  RTR-8  RTR-4



**PRODUCT SPECIFICATIONS**

**Construction:**

Stainless steel exteriors with stainless steel food wells. RTR-8 utilizes 1/5 HP refrigeration unit. RTR-4 utilizes a 1/6 HP unit. RTR-8 comes with 8 hinges polycarbonate pans. RTR-4 comes with 4 hinged polycarbonate pans. Refrigeration is a cold wall system and utilizes a R-134a (CFC free) refrigerant.

**Electrical Specifications:**

RTR-8: 120V, 480W, 60 Hz, 1 Ph, 4 Amps  
RTR-4: 120V, 360W, 60 Hz, 1 Ph, 3 Amps

**Capacity:**

RTR-8 holds (4) 1/6 size 4" deep pans and (4) 1/6 size 6" deep pans (pans and covers included)  
RTR-4 holds (4) 1/6 size 6" deep pans

**Overall Dimensions:**

RTR-8: 8 1/2"H x 27 1/2"W x 25 13/16"D  
(21.6 cm x 69.9 cm x 65.6 cm)  
RTR-4: 11 7/16"H x 15"W x 25 5/16"D  
(29 cm x 38 cm x 64.3 cm)

**Shipping:**

RTR-8: 95 lbs. (43.2 kg)  
RTR-4: 70 lbs. (33.6 kg)  
Freight Class: 100  
FOB: Cheyenne, WY

\*APW Wyott reserves the right to modify specifications or discontinue models without incurring obligation.

## Free Manuals Download Website

<http://myh66.com>

<http://usermanuals.us>

<http://www.somanuals.com>

<http://www.4manuals.cc>

<http://www.manual-lib.com>

<http://www.404manual.com>

<http://www.luxmanual.com>

<http://aubethermostatmanual.com>

Golf course search by state

<http://golfingnear.com>

Email search by domain

<http://emailbydomain.com>

Auto manuals search

<http://auto.somanuals.com>

TV manuals search

<http://tv.somanuals.com>