



900MHz Wireless Headphones



Receives signal up to 150 ft (45m)*
Thank you for choosing the
AR Brand 900MHz Wireless Headphones.

**Before attempting to use your headphones, please remove all parts
from this package and read the installation and usage instructions carefully.**

* Range may vary by environment and hookup.

AW722/AW772

HEADSET SAFETY

Follow these precautions for safe usage of your wireless headphones.

1. These wireless headphones have been designed for residential use and should not be used for industrial purposes. The headphones should be installed and used in accordance with the instructions contained in this manual.
2. Read through these instructions completely before installation. Follow the instructions carefully and carry them out in the correct order. Keep the manual on hand for future reference.
3. The power for this headphone system is delivered with batteries. Before charging, read the instructions in this manual. Disconnect the power supply from the recharging cradle/transmitter before installing or removing batteries.
4. Always leave easy access to the main power supply.
5. Disconnect the unit from the main power supply during storms, or if you will be absent for a long period of time.
6. If you observe smoke or detect a burning odor, immediately disconnect the device from the main power supply.
7. Never open the unit yourself; you may receive a severe electric shock, leading to serious injury or even death.
8. Protect the unit from dust, humidity and sources of excessive heat (e.g., fireplace or radiator).
9. The power source should not be in contact with liquids or exposed to the risk of dripping or splashing liquid. Be careful not to place the power source or recharging cradle/transmitter near any object containing liquid (e.g., a vase, glass or bottle).
10. Do not expose the unit to direct sunlight. Its maximum ambient temperature is 95° Fahrenheit (35° Celsius).
11. The ventilation should not be impeded by covering the unit with any items, such as newspapers, tablecloths, curtains, etc.
12. No flame sources, such as lighted candles, should be placed on or close to the recharging cradle/transmitter.
13. This unit has been designed for use in a dry environment. If, for exceptional reasons, you must utilize the unit out of doors (balcony, veranda, etc.), take care to protect it from dampness (dew, rain or splashes of liquid).
14. The maximum ambient humidity that the device supports is 85 percent. If the unit is cold and you wish to use it in a warm room, wait until any condensation on the unit evaporates by itself before you turn it on.
15. Clean the unit with a soft cloth soaked in a neutral detergent. You may damage the unit if you use an alcohol-based product. If you are unsure if the detergent is alcohol-based, test the cleaning product on the underside of the unit.

Thomson Inc. declines all liability for any use that does not comply with the instructions in this User's Manual.

Keep your sales receipt to obtain warranty parts and service and for proof of purchase. Attach it here and record the model number. This number is located on the product.

Model No. _____

Purchase Date: _____

Dealer/Address/Phone: _____

This device complies with Part 15 of the FCC Rules. Operation of this device is subject to the following two conditions: (1) This device may not cause harmful interference, and (2) this device must accept any interference received, including interference that may cause undesired operation.

TABLE OF CONTENTS

| | |
|--|----|
| Introduction | 3 |
| Features | 3 |
| Headphone Set Description | 4 |
| Recharging the Headset | 5 |
| Recharging Cradle/Transmitter Description | 5 |
| Supplied Accessories | 6 |
| Battery Installation and Information | |
| Installing the Rechargeable Batteries | 6 |
| Charging the Rechargeable Batteries | 7 |
| NiMH Rechargeable Battery Memory Effect | 7 |
| NiMH Natural Power Discharge | 7 |
| NiMH Battery Warning | 7 |
| Connecting the Recharging Cradle/Transmitter | 8 |
| Operation | |
| Standard Usage | 8 |
| Alternate Installation Configuration | 9 |
| Troubleshooting | 10 |
| Specifications | 11 |
| Warranty | 11 |

INTRODUCTION

Congratulations on your purchase of this wireless headphone system. The AW722/AW772 utilizes wireless, radio frequency transmission (900 MHz). The headphones are induction recharged using an electric field and incorporate Phase Lock Loop (PLL) technology, which offers three channels for radio transmissions. This 900 MHz stereo wireless headphone system features a compact design that enables you to enjoy music and TV sound just about anywhere inside or outside your home. It's simple to connect this system to any sound source, such as a DVD, DBS, CD, TV, VCR, stereo receiver or radio.

FEATURES

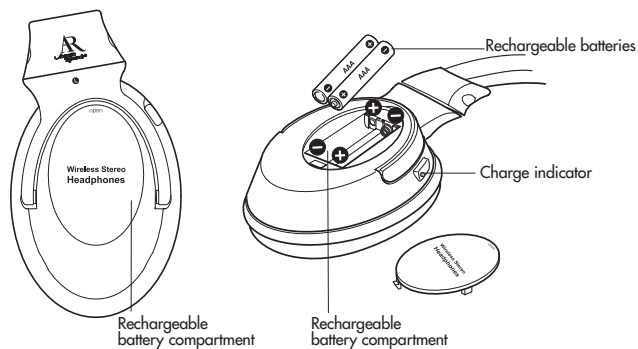
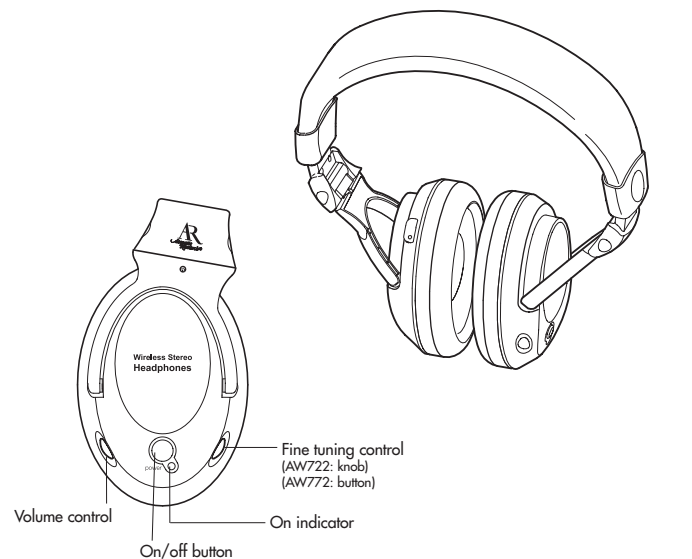
900 MHz RF technology lets you roam freely throughout your house
 Operating distance up to 150 feet/45 meters from cradle/transmitter*
 No line-of-sight limitations

Convenient power, volume and tuning controls located on headphones

* Range may vary by environment.

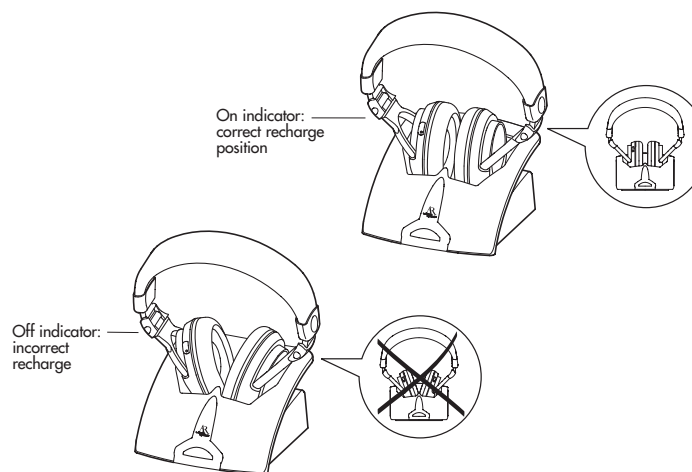
HEADPHONE SET DESCRIPTION

For stand-alone functioning, your wireless headphones must be powered by rechargeable batteries (included). The rechargeable batteries must be installed into the battery compartment and recharged before use. (See Battery Installation and Information, page 6).



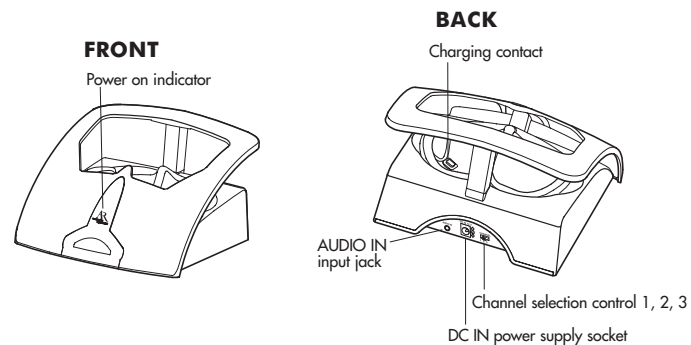
RECHARGING THE HEADSET

To recharge the headset unit, place the headphones into the recharging cradle/transmitter with the charge indicator facing to the front. It is important that the headphones are placed in a completely vertical position, not leaning to either side. **If the headphones are placed correctly, the charge indicator light on the headphones illuminates.**



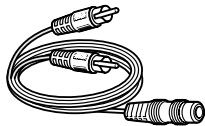
RECHARGING CRADLE/TRANSMITTER

The recharging cradle/transmitter acts both as the transmitter of the signal to the headphones as well as the recharging base.

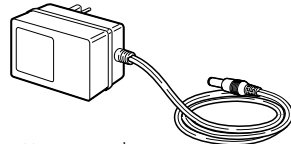


SUPPLIED ACCESSORIES

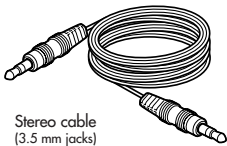
This headphone system includes accessories that enable you to use your wireless headphone set in a number of ways. (See sections on Standard Usage, page 8, and Alternate Installation Configuration, page 9).



Stereo Y adapter cable
(RCA/3.5 mm jack)



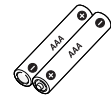
Main power adapter
(AC/DC: 120 V ~ 60 Hz, 12 V = 200mA)



Stereo cable
(3.5 mm jacks)



3.5 mm/6.35 mm jack adapter



Rechargeable batteries
(600mAh, NiMH)

BATTERY INSTALLATION AND INFORMATION

Your wireless headphone unit requires two rechargeable AAA batteries. The two rechargeable batteries that are supplied with your wireless headphones are uncharged. Before you can use the wireless headphones, the batteries must be charged. Follow these steps to charge and install the batteries.

Installing the Rechargeable Batteries

Take care to follow these steps to correctly charge and install the batteries.

1. On the left earphone, locate the battery compartment and the word "Open." Use your fingernail in the groove on top of the battery compartment to lift the cover.
2. Insert two AAA rechargeable batteries (included), carefully following the markings inside to ensure the batteries are inserted properly, with the + and - ends in the correct positions.
3. Replace the battery compartment cover.

BATTERY INSTALLATION AND INFO (continued)

Charging the Rechargeable Batteries

Follow these steps to recharge the NiMH rechargeable batteries.

1. Connect the AC/DC main power adapter to the DC IN power supply socket, located on the back of the recharging cradle/transmitter.
2. Then, plug the adapter into an electrical outlet.
3. Place the headphones into recharging cradle/transmitter, with the charge indicator facing to the front. Make sure the headphones are placed in a completely vertical position, not leaning to either side. If the headphones are placed correctly, the charge indicator light illuminates.
4. Subsequent charging must be performed in about 15-17 hours.

NiMH Rechargeable Battery Memory Effect

When an NiMH rechargeable battery is first used, it is important to fully charge it and then allow it to discharge three times in order to maximize the battery's storage capacity. When a battery is recharged before it is completely discharged, it develops a memory that will limit the amount of charge in the future. This reduces the battery's storage capacity for subsequent charges and so reduces the amount of time your headphones can be used before recharging is necessary.

NiMH Natural Power Discharge

Due to their chemical design, all rechargeable batteries incur some degree of natural discharge. This means they automatically lose their charge in varying degrees, even when not in use. The size of this power loss varies, depending on the battery's type, size, design, internal resistance and, most especially, the temperature. The higher the temperature, the greater the power loss through natural discharge.

NiMH Battery Warning

1. To avoid risk of fire, explosion and injury, do not attempt to recharge non-rechargeable batteries.
2. Respect the environment and the law. Before disposing of rechargeable batteries, ask your retailer if they can be recycled and whether or not the retailer collects rechargeable batteries for recycling.

CONNECTING THE RECHARGING CRADLE/TRANSMITTER

Follow this quick setup guide to ensure trouble-free installation of your headphones. To connect the recharging cradle/transmitter to the audio source, follow these steps.

1. Plug the stereo audio cable into the headphone jack of your audio source (e.g., stereo, TV, CD player, DVD, etc.). If your audio source has two RCA output jacks instead of a headphone jack, use the supplied Y cable to connect your headphones to the two (red and white) RCA jacks.
2. Connect the other end of the stereo audio cable to the AUDIO IN socket at the back of the recharging cradle/transmitter.
3. Connect the AC/DC main power adapter to the DC IN power supply socket at the back of the recharging cradle/transmitter. Then, connect the adapter to an electrical outlet.

OPERATION

Standard usage

1. Switch on the audio source (TV, DVD, CD player, etc.) to which the recharging cradle/transmitter is connected. If your audio source is a DVD or CD player, start a disc.

WARNING: The recharging cradle/transmitter has an automatic function that switches it off if the audio input jack does not receive an audio signal for approximately two minutes. If the volume on the audio source is too low, the recharging cradle/transmitter also switches off after two minutes. This feature was installed to comply with current legislation that reduces the amount of radio emissions in the environment. To ensure that this function is not accidentally triggered, set the audio source volume at approximately 50 percent capacity. Consult your component user's manual for details on how to set the volume for headphones/earphones.

2. The recharging cradle/transmitter is now ready to receive an audio signal. The recharging cradle/transmitter is activated automatically when receiving an audio signal from the audio source.
3. Check to make sure the power on indicator light on the front of the recharging cradle/transmitter is lit, indicating that the unit is ready.
4. Push the POWER ON/OFF button, located on the right earphone. The LED light turns on to indicate activation.
5. The recharging cradle/transmitter features three channels for radio frequency transmissions. Select one of these channels, using the switch on the back of the recharging cradle/transmitter.

OPERATION (continued)

6. After selecting a channel, use the fine tuning control, located on right earphone to adjust the reception. The PLL function automatically locks the three channels, providing you with top-quality audio reception with no sound loss.
7. Adjust the volume using the volume control, also located on the right earphone.
8. When you are through using the headphones, switch them off using the POWER ON/OFF button, and place the audio source on standby.

Note: To ensure that your headphones are charged and ready for use at all times, place them in the recharging cradle/transmitter when not in use.

Alternate Installation Configuration

The accessories included with your headphone system include a jack adapter for connecting the unit to a 6.35 mm headphone socket and a Y cable. Normally, when a device is plugged into a headphone jack, it automatically shuts off the speakers. If you want the speakers to continue playing while you are using the headphone set, you can use the Y adapter instead of the headphone jack. Use the supplied Y cable to connect your headphones to the two (red and white) RCA jacks. Connect the other end of the stereo audio cable to the AUDIO IN input jack at the back of the recharging cradle/transmitter. This is especially useful if, for example, your family is listening to music in one room of your home and you want to listen to the same music in another room. It is also beneficial in families where one person has a hearing impairment. That person can use the headphones to listen to the audio source, adjusting the volume as needed. This type of connection also enables you to use your headphones more simply as you will only need to switch on the audio source and switch on your headphones to activate.

TROUBLESHOOTING

Refer to this troubleshooting section if you encounter any difficulties in setting up and using your headphones.

| PROBLEM | SOLUTION |
|---------------------------------------|---|
| No sound heard through the headphones | <p>A) Check that your audio source, recharging cradle/transmitter and headphones are connected, supplied properly and turned on.</p> <p>B) Check to ensure that the rechargeable batteries are installed in the headset correctly and have been recharged properly.</p> <p>C) Check to ensure the recharging cradle/transmitter is running and the power indicator light on the unit is lit.</p> <p>D) Check that the audio source is delivering a sufficient signal to the recharging cradle/transmitter's AUDIO IN input jack.</p> |
| Poor sound quality or interference | <p>A) Check to ensure that the sound provided by the audio source is loud enough and of sufficient quality.</p> <p>B) Check if the batteries in the headphones have sufficient power. Recharge or replace them, if necessary.</p> <p>C) Check to see if you have selected the best transmission channel (1, 2, or 3) to provide the optimum signal reception. If necessary, try another channel, remembering to fine-tune the reception using the tuning control.</p> <p>D) Check if the distance between the headphones and the recharging cradle/transmitter is within the operating range. (The effective range of this device is up to 150 feet/45 meters from the cradle/transmitter.)* If out of range, move closer to the recharging cradle/transmitter to receive the sound.</p> <p>E) Check that the audio source provides stereo sound.</p> |
| Power cut off | <p>The recharging cradle/transmitter has an automatic power off function. When no signal is received for 2 minutes through the recharging cradle/transmitter's AUDIO IN input jack, it switches off. Switch on your audio source again, and use the tuning control to adjust reception. If necessary, increase the audio source's volume.</p> |

* Range may vary by environment.

SPECIFICATIONS

| | |
|------------------------|--|
| Models | AW722 AW772 |
| Description | Radio Frequency Wireless Headphones System |
| Transmitter | |
| Carrier Frequency | 900 MHz |
| Effective Range | Up to 150 feet/45 meters* |
| Power Supply | 12 V (DC) via a 120 V-60 Hz (AC) main power supply adapter |
| Transmission Frequency | UHF - 900 MHz/three channels: 911.9 MHz (1), 912.6 MHz (2) and 913.3 MHz (3) |
| Headset | |
| Power Supply | Two AAA 1.2 V rechargeable batteries |

* Range may vary by environment.

LIMITED ONE YEAR WARRANTY

Limited One Year Warranty
Our company (in the U.S., THOMSON INC.) warrants that for one year from date of purchase, it will replace this product if found to be defective in materials or workmanship. For a prompt, no charge replacement of equivalent product, return the defective product postage prepaid to the appropriate address.

Product Exchange Center
11721 Alameda Avenue
Socorro TX 79927

This replacement is the company's sole obligation under this warranty. THOMSON INC. will not be responsible for any incidental or consequential damages or for any loss arising in connection with the use or inability to use this product. Some states do not allow the exclusion or limitation of incidental or consequential damages, so the above limitation or exclusion may not apply to you. This warranty excludes defects or damage due to misuse, abuse, or neglect. This warranty gives you specific legal rights, and you may also have other rights, which vary from state to state.



© 2006 THOMSON INC.
10330 North Meridian Street
Indianapolis, IN 46290 USA

AW722/AW772

Trademark(s) Registered

All other brands and product names are trademarks or
registered trademarks of their respective owners.

Free Manuals Download Website

<http://myh66.com>

<http://usermanuals.us>

<http://www.somanuals.com>

<http://www.4manuals.cc>

<http://www.manual-lib.com>

<http://www.404manual.com>

<http://www.luxmanual.com>

<http://aubethermostatmanual.com>

Golf course search by state

<http://golfingnear.com>

Email search by domain

<http://emailbydomain.com>

Auto manuals search

<http://auto.somanuals.com>

TV manuals search

<http://tv.somanuals.com>