

# ÖKO-SANTO 3250-6 KG SANTO 3288-6 KG

Fridge Freezer

Operating Instructions

AEG Hausgeräte GmbH  
Postfach 1036  
D-90327 Nürnberg  
<http://www.aeg.hausgeraete.de>

2222 006-65

## Dear customer,

Before placing your new refrigerator/freezer into operation please read these operating instructions carefully. They contain important information for safe use, for installation and for care of the appliance.

Please keep these operating instructions for future reference. Pass them on to possible new owners of the appliance.



Notes which are important for your safety or for the proper functioning of the appliance are stressed with a warning triangle and/or the words (Warning!, Important!, Attention!). Please observe the following instructions carefully.



Additional information regarding operation and practical applications of the appliance appear after this symbol.



Tips and notes concerning economical and environmentally sound use of the appliance are marked with the flower.


In the event of a malfunction, these operating instructions contain information on how to rectify faults yourself, see the "Something Not Working" section.

For further assistance contact your local AEG service Force Centre, see the chapter "Service and Spare parts."

## Regulations, Standards, Guidelines

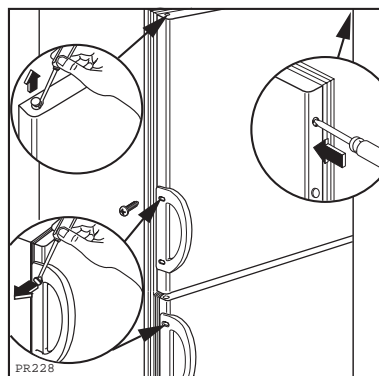
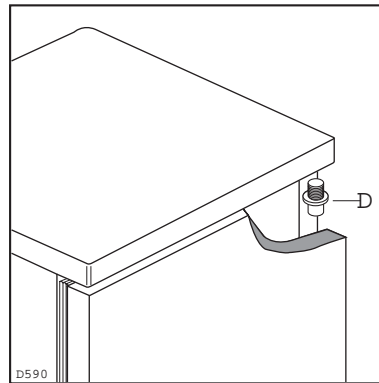
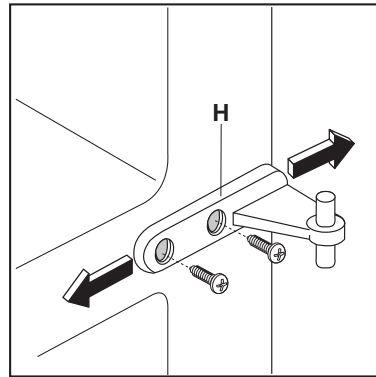
This appliance was designed for household use and was manufactured in accordance with the appropriate standards. The necessary measures in accordance with appliance safety legislation regulations (GSG), accident prevention regulations for refrigeration appliances (VBG 20) and the regulations of the German Society of Electrical Engineers (VDE) were observed in the manufacture of this appliance.

The refrigerant circuit has been checked for leaks.

-  This appliance is in accordance with the following EU guidelines:
- 73/23/EEG dated 19 February 1973 - low voltage guidelines.
  - 89/336/EEG dated 3 May 1989  
(including guideline change notice 92/31/EEG) - EMV guideline

Printed on paper manufactured with environmentally sound processes.  
who thinks ecologically acts accordingly ...

4. Unscrew the middle hinge and remove the refrigerator compartment door by pulling it downwards.
5. With a screwdriver, unscrew the two masking plugs covering the holes on the left-hand side and refit them on the right-hand side.
6. Unscrew the pin from the top hinge and refit it on the left-hand side. Remember to fit the washers.
7. Slide the refrigerator compartment door onto the top pin.
8. Insert the middle hinge into the bottom of the refrigerator compartment door. Remember to fit the washers.
9. Refit middle hinge screws.
10. Fit the freezer compartment door onto the middle hinge.
11. Unscrew the bottom hinge pin and refit it on the opposite side of the hinge
12. Insert the bottom hinge into the bottom of the freezer compartment door.
13. Refit bottom hinge and insert the cover (G).
14. Refit ventilation grille (D) clipping it into place.
15. Unscrew the handles. Refit them on the opposite side after having pierced the plugs with a punch. Cover the holes left open with the plugs contained in the documentation pack.



## Contents

<b>Safety</b> .....	4
<b>Disposal</b> .....	5
Appliance Packaging Information .....	5
Disposal of old Appliances .....	5
<b>Remove Transport Packaging</b> .....	6
<b>Operating and indicator panel</b> .....	7
<b>Starting up and Temperature regulation</b> .....	7
<b>Interior Accessories</b> .....	8
Storage shelves .....	8
Adjusting the upper door rack .....	9
<b>Fresh food refrigeration</b> .....	9
<b>Freezing and Storing frozen food</b> .....	10
<b>Frozen food Symbols/Freezing calendar</b> .....	11
<b>Preparation of Ice Cubes</b> .....	11
<b>Defrosting</b> .....	11
<b>Switching off the appliance</b> .....	12
<b>Cleaning and Care</b> .....	13
<b>Energy Saving Tips</b> .....	14
<b>Something Not Working</b> .....	14
Changing the light bulb .....	16
<b>Service and Spare parts</b> .....	17
<b>Guarantee Conditions</b> .....	17
<b>Installation</b> .....	19
Electrical Connection .....	19
Installation Location .....	20
Your appliance needs air .....	20
Rear spacers .....	21
Levelling the appliance .....	21
Reversing the door .....	21
<b>Regulations, Standards, Guidelines</b> .....	23

## Safety

Please read this instruction book before using the appliance and retain for future reference. These warnings are provided in the interests of your safety, ensure you understand them fully before using the appliance.

### Intended use

- The appliance is intended for use in the home. It is suitable for the cooling, freezing and storage of frozen food, as well as for making ice. If the appliance is used for purposes other than those intended or used incorrectly, no liability can be accepted by the manufacturer for any damage that may be caused.
- Alterations or changes to the appliance are not permitted for reasons of safety.

### Prior to initial start-up

- Check the appliance for transport damage. Under no circumstances should a damaged appliance be plugged in! In the event of damage, please contact your retailer.

### Refrigerant

The refrigerant isobutane (R600a) is contained within the refrigerant circuit of the appliance, a natural gas with a high level of environmental compatibility, which is nevertheless flammable.

- During transportation and installation of the appliance, be certain that none of the components of the refrigerant circuit become damaged.
- If the refrigerant circuit should become damaged:
  - avoid open flames and sources of ignition;
  - thoroughly ventilate the room in which the appliance is situated.

### Safety of children

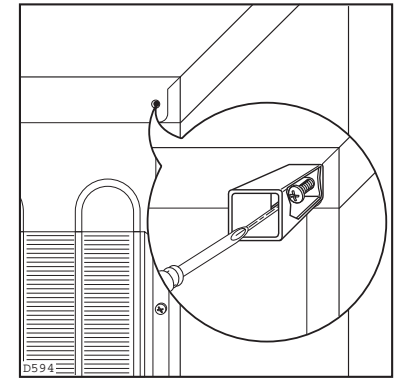
- Keep packaging material away from children.
- Please make old appliances unusable prior to disposal. Pull out the mains plug, cut off the mains cable and remove any locks or catches, to prevent young children being trapped inside.
- Do not allow children to tamper with the controls or play with the product.

### Daily Operation

- Containers with flammable gases or liquids can leak at low temperatures.

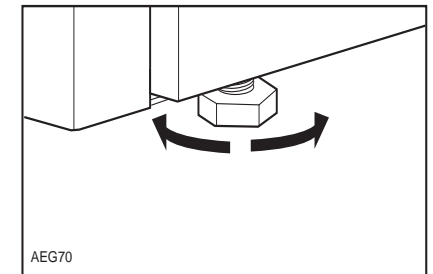
### Rear spacers

Fit the rear spacers contained in the documentation bag to ensure escape of heat generated during operation. Proceed in the sequence illustrated in figures.



### Levelling the appliance

Place the appliance on a flat hard floor. Two adjustable feet on the front of the appliance enable it to be accurately levelled by screwing them in or out as required.



### Reversing the door

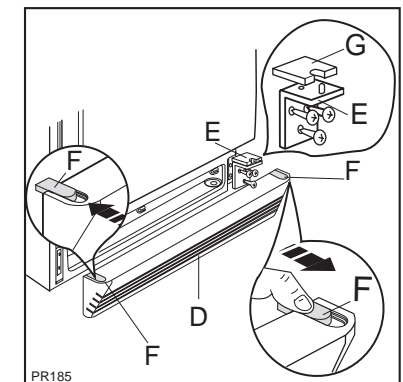
The side the door opens can be changed from the right side (factory fitted) to the left side.



**Warning!** When changing the side the door opens, the appliance must not be connected to the mains. Remove plug from the mains before reversing the door.

Proceed as follow:

1. Pull off ventilation grille (D) and remove cover (G).
2. Remove blanking cover (F) from ventilation grille by pushing it in the direction of the arrow and refit it on the opposite side.
3. Unscrew the bottom hinge and remove the freezer compartment door by pulling it downwards.



## Installation Location

The appliance should be set up in a well ventilated, dry room.

Energy use is affected by the ambient temperature. The appliance should therefore

- not be exposed to direct sunlight;
- not be installed next to radiators, cookers or other sources of heat;
- only be installed at a location whose ambient temperature corresponds to the climate classification, for which the appliance is designed.

The climate classification can be found on the rating plate, which is located at the left on the inside of the appliance.

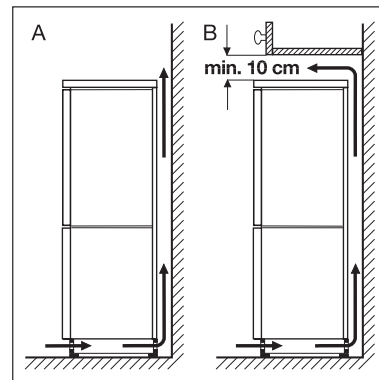
The following table shows which ambient temperature is correct for each climate classification:

Climate classification	for an ambient temperature of
SN	+10 to +32 °C
N	+16 to +32 °C

## Your appliance needs air

Air flows in from under the door, at the front, and flows out upwards, over the back. For correct air circulation, it is important that the ventilation openings are not covered or obstructed.

**Important:** If the appliance is positioned under a kitchen wall unit, a minimum clearance of 10 cm must be left between the top of the appliance and the overhanging wall unit.



There is a risk of an explosion! Do not store any containers with flammable materials such as, for example, spray cans, fire extinguisher refill cartridges etc in the refrigerator/freezer.

- Bottles and cans must not be placed in the freezer compartment. They can burst when the contents freeze, high carbonate content drinks can even explode! Never store lemonade, juices, beer, wine, sparkling wine etc. in the freezer compartment.
- Ice cream or ice cubes can cause "frost/freezer" burns if consumed straight from the freezer.
- Do not touch frozen food with wet hands. Your hands could freeze to the food.
- Do not operate any electrical appliances in the refrigerator/freezer (e.g. electric ice cream makers, mixers etc.).
- Before cleaning the appliance, always switch off the appliance and disconnect from the electricity supply.
- When unplugging always pull the plug from the mains socket, do not pull on the cable.

## Service

- Under no circumstances should you attempt to repair the appliance yourself. Repairs carried out by inexperienced persons may cause injury or serious malfunctioning. Contact your local AEG Service Force Centre.

## Disposal

### Appliance Packaging Information

All materials are environmentally sound.

The plastics can be recycled and are identified as follows:

>PE< for polyethylene, e.g. the outer covering and the bags in the interior.

>PS< for polystyrene foam, e.g. the pads, which are all free of chlorofluorocarbon.

The carton parts are made from recycled paper and should be disposed of at a waste-paper recycling collection location.

### Disposal of old Appliances

For environmental reasons, refrigeration appliances must be disposed of properly. This applies to your old appliance, and - at the end of its service life - to your new appliance as well.



**Warning!** Before disposing of old appliances make them inoperable. Remove plug from mains, sever the power cable, remove or destroy any snap or latch closures, to prevent small children being trapped inside.

- Use an authorised disposal site.

Contact your local Council or Environmental Health Office to see if there are facilities in your area to recycle the appliance;

## Remove Transport Packaging



The appliance and the interior fittings are protected for transport.

- Remove all adhesive tape and packing pieces from the interior of the appliance.

You can remove any remnants of adhesive using white spirit.

## Installation

### Electrical Connection



Any electrical work required to install this appliance should be carried out by a qualified electrician or competent person.

**WARNING – THIS APPLIANCE MUST BE EARTHED**

The manufacturer declines any liability should these safety measures not be observed.

Before switching on, make sure the electricity supply voltage is the same as that indicated on the appliance rating plate. The rating plate is inside, on the left.

The appliance is supplied with a 13 amp plug fitted. In the event of having to change the fuse in the plug supplied, a 13 amp ASTA approved (BS 1362) fuse must be used.

#### Important!

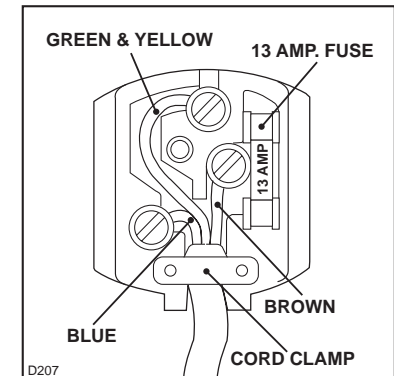
The wires in the mains lead are coloured in accordance with the following code:

Green and Yellow	Earth
Blue	Neutral
Brown	Live

As the colours of the wires in the mains lead of this appliance may not correspond with the coloured markings identifying the terminals in your plug, proceed as follows:

1. The wire coloured green and yellow must be connected to the terminal marked with the letter "E" or by the earth symbol or coloured green and yellow.
2. The wire coloured blue must be connected to the terminal marked "N" or coloured black.
3. The wire coloured brown must be connected to the terminal marked "L" or coloured red.
4. Upon completion there must be no cut, or stray strands of wire present and the cord clamp must be secure over the outer sheath.

**Warning!** A cut-off plug inserted into a 13 amp socket is a serious safety (shock) hazard. Ensure that the cut-off plug is disposed of safely.



## Guarantee Conditions

### Guarantee Conditions

AEG offer the following guarantee to the first purchaser of this appliance.

1. The guarantee is valid for 12 months commencing when the appliance is handed over to the first retail purchaser, which must be verified by purchase invoice or similar documentation.  
The guarantee does not cover commercial use.
2. The guarantee covers all parts or components which fail due to faulty workmanship or faulty materials. The guarantee does not cover appliances where defects or poor performance are due to misuse, accidental damage, neglect, faulty installation, unauthorised modification or attempted repair, commercial use or failure to observe requirements and recommendations set out in the instruction book.  
This guarantee does not cover such parts as light bulbs, removable glassware, or plastic.
3. Should guarantee repairs be necessary the purchaser must inform the nearest customer service office (manufacturer's service or authorised agent). AEG reserves the right to stipulate the place of the repair (i.e. the customer's home, place of installation or AEG workshop).
4. The guarantee or free replacement includes both labour and materials.
5. Repairs carried out under guarantee do not extend the guarantee period for the appliance. Parts removed during guarantee repairs become the property of AEG.
6. The purchaser's statutory rights are not affected by this guarantee.

### European Guarantee

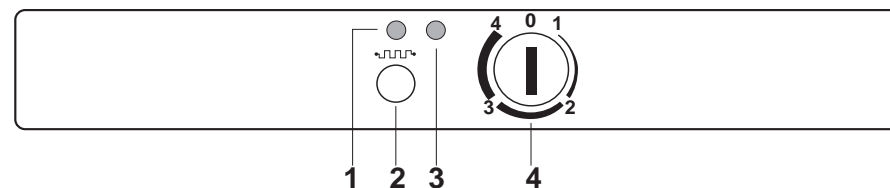
If you should move to another country within Europe then your guarantee moves with you to your new home subject to the following qualifications:

- The guarantee starts from the date you first purchased your product.
- The guarantee is for the same period and to the same extent for labour and parts as exist in the new country of use for this brand or range of products.
- This guarantee relates to you and cannot be transferred to another user.
- Your new home is within the European Community (EC) or European Free Trade Area.
- The product is installed and used in accordance with our instructions and is only used domestically, i.e. a normal household.
- The product is installed taking into account regulations in your new country.

Before you move please contact your nearest Customer Care Centre, listed below, to give them details of your new home. They will then ensure that the local Service Organisation is aware of your move and able to look after you and your appliances.

France	Senlis	+33 (0)3 44 62 29 29
Germany	Nürnberg	+49 (0) 911 323 2600
Italy	Pordenone	+39 (0) 1678 47053
Sweden	Stockholm	+46 (0) 8 738 7910
UK	Slough	+44 (0) 1753 219899

## Operating and Indicator panel



1. Pilot light (yellow)
2. Ambient switch
3. Pilot light (green)
4. Temperature regulator and ON/OFF switch

The **temperature regulator (4)**, which serves at the same time as the appliance's On-/Off switch.

The **green pilot lamp (3)**, which comes on when the appliance is switched on and the mains voltage is available. In this position, the refrigerating unit will operate automatically.

### Temperature adjustment with ambient temperature below +16°C

When the ambient temperature in the room in which the appliance is situated is less than 16°C, the ambient switch (2) must be depressed. The yellow pilot light (1) above the switch comes on. In this way, when the ambient temperature is low, the compressor operates for longer periods to ensure that the storage temperature of -18°C is maintained inside the freezer compartment.



### Important!

If the ambient temperature rises to above +16°C, de-activate the ambient switch in order to avoid unnecessary energy consumption. The yellow pilot light goes out.

## Starting up and temperature regulation

- Wash the inside of the appliance with lukewarm water with a little bicarbonate of soda added (5ml to 0.5 litre of water). Do not use soap or detergent as the smell may linger. Dry the appliance thoroughly.
- When the refrigerator compartment door is opened, the internal lighting is switched on. The temperature regulator is located on the top of the appliance.

Setting "0": Off.

Setting "1": Highest temperature, (warmest setting).

Setting "4" (end-stop) : Lowest temperature, (coldest setting).

The exact setting should be chosen keeping in mind that the temperature inside the refrigerator depends on:

- the quantity of food stored
- how often the door is opened

The temperatures in the refrigerator compartment and freezer compartment cannot be independently regulated.

If you want to freeze fresh food rapidly, select setting "4", ensuring that the temperature in the refrigerator compartment does not drop below 0°C. You should promptly reset the temperature regulator to setting "2" or "3", if this does occur.



### Important!

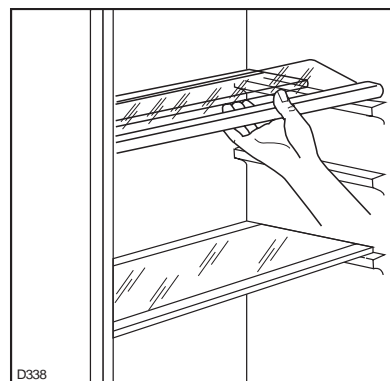
High ambient temperatures (e.g. on hot summer days) and a cold setting of the temperature regulator (position "3" to "4") can cause the compressor to run continuously.

If this happens, turn the temperature regulator back to a warmer setting (position "2" to "3"). At this setting the compressor will be switched on and off as usual and automatic defrosting recommenced.

## Interior Accessories

### Storage shelves

- You should always slide one of the full size glass storage shelves into the lowest set of guides, above the salad drawers, and keep it in this position.
- The height of the storage shelves can be adjusted:
- To do this pull the storage shelf forward until it can be swivelled upwards or downwards and removed.
- Please do the same in reverse to insert the shelf at a different height. Slide the front half of the Vario storage shelf in another level to the rear. This will enable you to place tall items on the storage shelf below.



## Service and Spare Parts

If you require a service engineer or wish to purchase spare parts, contact your local AEG Service Force Centre by telephoning:

**0870 5 929929**

### Help us to help you

Please determine your type of enquiry before telephoning. When you contact us we need to know:

1. Your name, address and post code
  2. Your telephone number
  3. Clear and concise details of the fault
    - What is the fault?
    - When does the fault occur?
  4. The model, production number and product identification number.
- This information can be found on the serial plate in the interior at the left of the appliance.

- Model Name
  - Model Number (PNC)
  - Serial Number (S-No.)
5. Date of purchase

### Customer Care Department

For general enquiries regarding your AEG appliance or further information on AEG products, please contact our Customer Care Department at the address below or visit our website at [www.aeghome.co.uk](http://www.aeghome.co.uk).

Customer Care Department

AEG Domestic Appliances

55-77 High Street, Slough, Berkshire SL1 1DZ

Tel: 08705 350 350\*

\*calls to this number may be recorded for training purposes

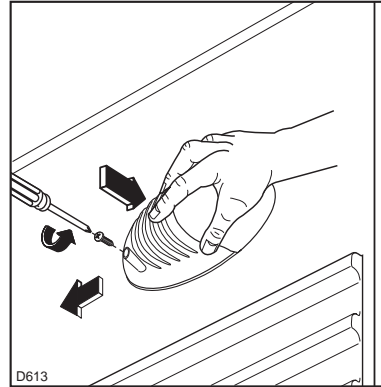


## Changing the light bulb



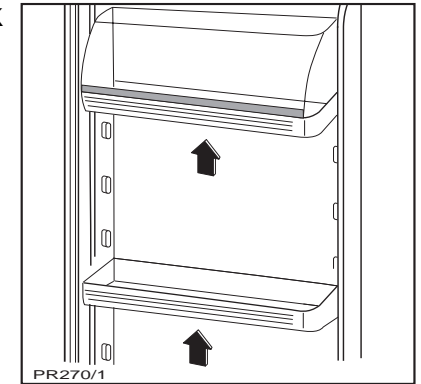
**Warning!** There is a risk of electric shocks! Before changing the light bulb, switch off the appliance and disconnect from the mains supply. Light bulb data: 220–240 V, max. 15 W

1. To switch off the appliance, turn the temperature regulator to position "0".
2. Unplug the mains plug.
3. To change the light bulb, unscrew the light cover.
4. Unhook the light bulb cover as shown.
5. Change the defective light bulb.
6. Refit the light bulb cover and the screw.
7. Put the refrigerator back into operation.



## Adjusting the upper door rack

- Depending on the food stored, the upper door racks can be changed to other holders or removed. Take out the food from the door, press the door racks diagonally upwards at their edges, reposition them, and press them back into place.



## Fresh food refrigeration

To obtain the best performance:

- do not store warm food or evaporating liquid in the refrigerator
- do cover or wrap the food, particularly if it has a strong flavour.
- Position food so that air can circulate freely around it.



Useful hints:

**Meat (all types):** wrap in polythene bags and place on the glass shelf above the salad drawer(s).

**For safety, store in this way for only one or two days at the most.**

**Cooked foods, cold dishes, etc:** these should be covered and may be placed on any shelf.

**Fruit and vegetables:** these should be thoroughly cleaned and placed in the salad drawer(s) provided.

**Butter and cheese:** these should be placed in special airtight containers or wrapped in aluminium foil or polythene bags to exclude as much air as possible.

**Milk bottles:** these should have a cap and should be stored in the bottle rack on the door.

**Bananas, potatoes, onions and garlic, if not packed, must not be kept in the refrigerator.**

## Freezing and storing frozen food

You can use your freezer for freezing fresh food yourself.

### Important!

- The temperature in the freezer compartment must be  $-18\text{ }^{\circ}\text{C}$  or colder before freezing food.
- Please observe the freezing capacity given on the rating plate. The freezing capacity is the maximum quantity of fresh food that can be frozen within a period of 24 hours. If you wish to freeze food several days in a row, please observe a maximum capacity of only 2/3 to 3/4 of that on the rating plate. The quality of the food is best preserved when it is frozen right through to the core as quickly as possible.
- Allow warm food to cool down before freezing. The warmth will cause increased ice formation and increase the power consumption.
- Please note the maximum storage times specified by the manufacturer.
- Thawed foods which have not been processed further (cooked into meals) may not under any circumstances be frozen a second time.
- Containers with flammable gases or liquids can leak at low temperatures. There is a risk of an explosion! Do not store any containers with flammable materials such as, for example, spray cans, fire extinguisher refill cartridges etc in the refrigerator/freezer.
- Bottles and cans must not be placed in the freezer. They can burst when the contents freeze, high carbonate content drinks can even explode! Never store lemonade, juices, beer, wine, sparkling wine etc. in the freezer.
- All foods must be packed air tight prior to freezing, so that they do not dry out or lose their flavour, and so that no flavour contamination of other frozen goods occurs.



**Important!** Do not touch frozen food with wet hands. Your hands could freeze to the food.

1. To achieve faster freezing of food or to freeze the maximum allowed quantity, depress the ambient switch 12 hours before loading the food without modifying the thermostat setting.
2. Place the food to be frozen in the top drawer. Unfrozen food must not touch items already frozen, otherwise the frozen food could begin to defrost.
3. Do not open the door frequently or leave it open longer than absolutely necessary.

Symptom	Possible Cause	Remedy
The food is too warm.	Temperature is not properly adjusted.	Please look in the "Initial Start Up" section.
	Door was open for an extended period.	Open the door only as long as necessary.
	A large quantity of warm food was placed in the appliance within the last 24 hours.	Turn the temperature regulator to a colder setting.
Interior lighting does not work.	The appliance is near a heat source.	Please look in the "Installation location" section.
	Light bulb is defective.	Please look in the "Changing the Light Bulb" section.
Heavy build up of frost, possibly also on the door seal.	Door seal is not air tight (possibly after reversing the door).	Carefully warm the non sealing sections of the door seal with a hair dryer (not hotter than approx. $50\text{ }^{\circ}\text{C}$ ). At the same time shape the warmed door seal by hand such that it sits correctly.
Unusual noises.	Appliance is not level.	Readjust the feet.
	The appliance is touching the wall or other objects.	Move the appliance slightly.
The compressor does not start immediately after changing the temperature setting.	This is normal, no error has occurred.	The compressor starts after a period of time.
Water on the floor or on storage shelves.	Water drain hole is blocked.	See the "Cleaning and Care" section.

If after all these checks your appliance does not operate correctly, contact your local AEG Service Force Centre.

Please note that it will be necessary to provide proof of purchase for any in-guarantee service calls.

In-guarantee customers should ensure that the above checks have been made as the engineer will make a charge if the fault is not a mechanical or electrical breakdown.

## Energy Saving Tips

- Do not install the appliance near cookers, radiators or other sources of continuous warmth. High ambient temperatures cause longer, more frequent operation of the compressor.
- Ensure sufficient air circulation at the appliance base and at the back wall of the appliance. Never cover air vent openings.
- Do not place warm foods into the appliance. Allow warm foods to cool first.
- Do not leave the door open any longer than necessary.
- Do not set temperature any colder than necessary.
- Put frozen food in the fridge to defrost. The cold in the frozen food will then be used to cool the fridge.

Accumulation of dust on the condenser increases energy consumption. For this reason carefully clean the condenser at the back of the appliance once a year with a soft brush or a vacuum cleaner. Ensure the appliance is switched off.

## Something Not Working

If the appliance is not functioning correctly, please carry out the following checks before contacting your local AEG Service Force Centre.



### Warning!

Repairs should only be carried out by qualified service engineers. Repairs carried out by inexperienced persons may cause injury or serious malfunctioning.

Symptom	Possible Cause	Remedy
Appliance does not work.	Appliance is not switched on	Switch on the appliance.
	Mains plug is not plugged in or is loose.	Insert mains plug.
	Fuse has blown or is defective.	Check fuse, replace if necessary.
	Socket is defective.	Mains malfunctions are to be corrected by an electrician.
Appliance cools too much.	Temperature is set too cold.	Turn the temperature regulator to a warmer setting.

## Frozen food Symbols/Freezing Calendar

- The symbols on the drawers show different types of frozen goods.
- The numbers indicate storage times in months for the appropriate types of frozen goods. Whether the upper or lower value of the indicated storage time is valid depends on the quality of the foods and pre-treating before freezing. The lower value applies to foods with high fat content.

## Preparation of Ice Cubes

1. Fill the ice cube tray 3/4 full with cold water, place it in the freezer compartment and leave to freeze.
2. To loosen the frozen cubes, either bend the ice cube tray or hold it under running water for a few seconds.



**Important!** Never try to free an ice tray that is frozen to the freezer compartment using pointed or sharp edged objects. Use the ice scraper supplied.

## Defrosting

### Refrigerator

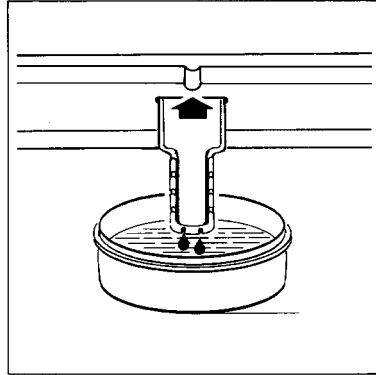
Frost is automatically eliminated from the evaporator of the refrigerator compartment every time the motor compressor stops, during normal use. The defrost water drains out through a trough into a special container at the back of the appliance, over the motor compressor, where it evaporates.

### Freezer

The freezer compartment, however, will become progressively covered with frost. This should be removed with the special plastic scraper provided, whenever the thickness of the frost exceeds 4 mm. During this operation it is not necessary to switch off the power supply or to remove the foodstuffs.

However when the ice becomes very thick on the inner liner, complete defrosting should be carried out as follows:

1. Remove the frozen food from the freezer, wrap it in several layers of newspaper and put it in a very cool place.
2. Switch off the appliance and pull out the plug or turn the temperature selector to "0" OFF.
3. Leave the freezer compartment door open.
4. Insert the plastic scraper into the recess provided under the defrost water channel and place a collecting basin under it.
5. Once defrosting is completed keep the scraper for future use.
6. Turn the thermostat knob to the required setting and replace the plug in the power socket.



#### Warning!

Never use metal tools to scrape off the frost

Do not use a mechanical device or any artificial means to speed up the thawing process.

A temperature rise of the frozen food packs, during defrosting, may shorten their safe storage life.

## Switching off the appliance

To switch off the appliance, turn the temperature regulator to position "0" or disconnect from the electricity supply.

If the appliance is not going to be used for an extended period:

1. Remove all refrigerated and deep-frozen packages as well as ice trays.
2. Remove the mains plug or switch off.
3. Defrost freezer compartment and clean thoroughly (see section: "Cleaning and Care").
4. Leave the door open to avoid the build up of odours.

## Cleaning and Care

For hygienic reasons the appliance interior, including interior accessories, should be cleaned regularly.



#### Warning!

Before carrying out any cleaning or maintenance, disconnect the appliance from the electricity supply or turn the temperature regulator to "0".

- Never clean the appliance with a steam cleaner. Moisture could accumulate in electrical components, which could cause an electrical shock! Hot vapours can lead to the damage of plastic parts.



- The appliance must be dry before it is placed back into service.

#### Warning!

- Ethereal oils and organic solvents can attack plastic parts, e.g.

- lemon juice or the juice from orange peel,

- butyric acid;

- cleansers which contain acetic acid.

Do not allow such substances to come into contact with appliance parts.

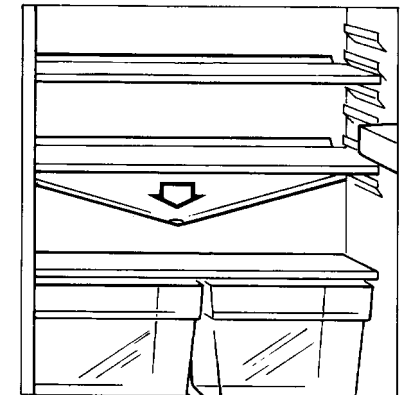
Do not use any abrasive cleansers.

1. Remove frozen food and the food from the refrigerator. Wrap frozen food in several layers of newspaper. Store it in a cool place, well covered.

2. Clean the appliance and the interior accessories with lukewarm water, with a little bicarbonate of soda added ( 5ml to 0,5 litre of water). Commercially available dish washing detergents may also be used.

3. Dry the appliance thoroughly.

4. Check the water drain hole on the rear wall of the fridge. Clear a blocked drain hole with the aid of the drain cleaning tool included with the appliance.



5. After everything is dry place appliance back into service.

## Free Manuals Download Website

<http://myh66.com>

<http://usermanuals.us>

<http://www.somanuals.com>

<http://www.4manuals.cc>

<http://www.manual-lib.com>

<http://www.404manual.com>

<http://www.luxmanual.com>

<http://aubethermostatmanual.com>

Golf course search by state

<http://golfingnear.com>

Email search by domain

<http://emailbydomain.com>

Auto manuals search

<http://auto.somanuals.com>

TV manuals search

<http://tv.somanuals.com>