



---

MANUAL PART NUMBER: 400-0438-005

**DS801-110**

**INTERA<sup>®</sup> COMPUTER/COMPONENT  
VIDEO + AUDIO  
TWISTED PAIR (UTP) TRANSMITTER**

---

**ALTINEX<sup>®</sup>**

**SIGNAL  
MANAGEMENT  
SOLUTIONS<sup>®</sup>**

Tel: 714-990-2300 • Toll-Free: 1-800-ALTINEX • FAX: 714-990-3303 • E-mail: [solutions@altinex.com](mailto:solutions@altinex.com) • Web: [www.altinex.com](http://www.altinex.com)

## TABLE OF CONTENTS

	Page
PRECAUTIONS / SAFETY WARNINGS .....	2
GENERAL.....	2
INSTALLATION .....	2
CLEANING.....	2
FCC NOTICE .....	2
ABOUT YOUR DS801-110.....	3
TECHNICAL SPECIFICATIONS .....	3
PRODUCT DESCRIPTION .....	5
APPLICATION DIAGRAMS.....	6
DIAGRAM 1: TYPICAL SETUPS .....	6
DIAGRAM 2: INTERNAL VIEW .....	7
INSTALLING YOUR DS801-110 .....	8
OPERATION.....	8
TROUBLESHOOTING GUIDE .....	8
NO DISPLAY.....	8
NO SOUND.....	9
ALTINEX POLICIES .....	9
LIMITED WARRANTY/RETURN POLICIES.....	9
CONTACT INFORMATION .....	9

## PRECAUTIONS / SAFETY WARNINGS 1

Please read this manual carefully before using your **DS801-110**. Keep this manual handy for future reference. These safety instructions are to ensure the long life of your **DS801-110** and to prevent fire and shock hazards. Please read them carefully and heed all warnings.

### 1.1 GENERAL

- Qualified ALTINEX service personnel or their authorized representatives must perform all service.

### 1.2 INSTALLATION

- To prevent fire or shock, do not expose this unit to water or moisture. Do not place the **DS801-110** in direct sunlight, near heaters or heat-radiating appliances, or near any liquid. Exposure to direct sunlight, smoke, or steam can harm internal components.
- Handle the **DS801-110** carefully. Dropping or jarring can damage the unit.
- Do not pull any cables that are attached to the **DS801-110**.

### 1.3 CLEANING

- Clean only with a dry cloth. Never use strong detergents or solvents such as alcohol or thinner. Do not use a wet cloth or water to clean the unit. Do not open the unit to clean.

### 1.4 FCC NOTICE

- This device complies with Part 15 of the FCC Rules. Operation is subject to the following two conditions: (1) This device may not cause harmful interference, and; (2) this device must accept any interference received, including interference that may cause undesired operation.
- This equipment has been tested and found to comply with the limits for a Class A digital device pursuant to Part 15 of the FCC Rules. These limits are designed to provide reasonable protection against harmful interference when the equipment is operated in a commercial environment. This equipment generates, uses, and can radiate radio frequency energy and if not installed and used in accordance with the instructions found herein, may cause harmful interference to radio communications. Operation of this equipment in a residential area is likely to cause harmful interference in which case the user will be required to correct the interference at his own expense.
- Any changes or modifications to the unit not expressly approved by ALTINEX, Inc. could void the user's authority to operate the equipment.

## ABOUT YOUR DS801-110

2

### DS801-110

#### Intera Video+Audio to Twisted Pair (UTP) Transmitter

The **DS801-110** provides a means of transmitting computer video and audio signals over Twisted Pair-type (CAT-5/6) cable when used together with an ALTINEX UTP receiver, such as the DS801-111 or DA1931CT.

The **DS801-110** is compact and easy to use. The **DS801-110** is able to transmit computer video or component video sources and stereo audio over UTP cable.

The **DS801-110** offers a female 15-pin HD input with native Plug & Play compatibility. The 3.5 mm stereo audio jack is used for audio input. The female TP main output provides distributed drive to the UTP cable. The Signal Detect feature shows when a signal is present.

The latest generation of Twisted Pair devices uses an innovative, patented technology\* developed by ALTINEX. The new signal processing technology allows transmitting and receiving fully equalized computer video signals, stereo, and audio signals over long distances.

\* US Patent 7,065,190

## TECHNICAL SPECIFICATIONS

3

Specifications are subject to change. See [www.altinex.com](http://www.altinex.com) for up-to-date information.

FEATURES/DESCRIPTION	DS801-110
<b>GENERAL</b>	
<b>Inputs</b>	
RGBHV/YPbPr	15-pin HD female (1)
Stereo Audio	3.5 mm jack (1)
Power	2-pin terminal block (1)
<b>Output</b>	
Video+ Stereo Audio	RJ-45 female (1)
<b>Compatibility</b>	
Signal Types	ALTINEX Standard for Twisted Pair
Video Signal Resolutions	VGA through UXGA 480p through 1080i
Recommended Max. Cable Lengths <i>Note: Measurements made using ALTINEX low-skew cable, CB3150PV.</i>	VGA: 640x480@60Hz 800 ft (244 m) XGA: 1024x768@60Hz 600 ft (183 m) SXGA: 1280x1024@60Hz 550 ft (168 m) UXGA: 1600x1200@60Hz 500 ft (152 m)
<b>Accessories Included</b>	
Power Adapter (with 50 ft (15 m) cable)	+9 VDC, 500 mA

Table 1. **DS801-110** General

# SPECIAL APPLICATION

MECHANICAL	DS801-110
Housing	0.036" Aluminum
Front Panel	0.035" Steel
Length	4.10 in (104 mm)
Width	1.38 in (35 mm)
Height	1.20 in (30 mm)
Weight	0.25 lb (0.113 kg)
T° Operating	10°C-50°C
T° Maximum	75°C
Humidity	90% non-condensing
MTBF (calc.)	38,000 hrs

Table 2. **DS801-110** Mechanical

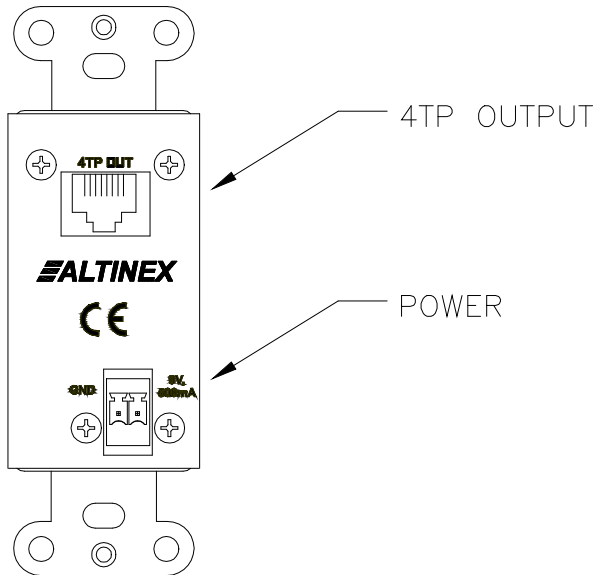
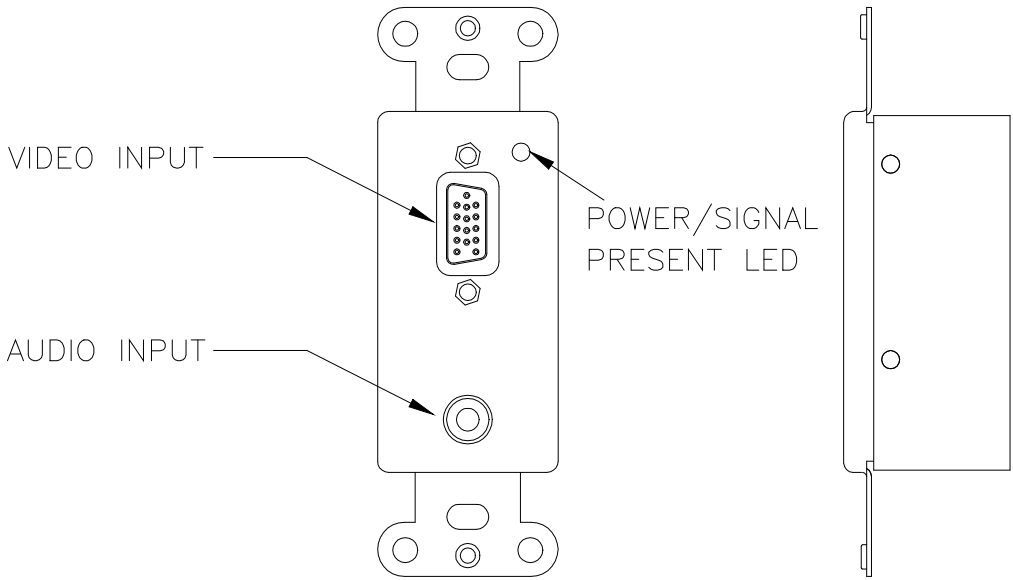
ELECTRICAL	DS801-110
<b>Input</b>	
Video Analog Signal	1.0 Vp-p max.
Video Sync Level	TTL
Audio Signal Level	1.0 Vp-p max.
<b>Output</b>	
Video+ Stereo Audio	Video/Sync/Audio Signals ALTINEX Standard
<b>Power Consumption</b>	
External Adapter: 9 VDC	310 mA (2.8 W)

Table 3. **DS801-110** Electrical

# SPECIAL APPLICATION

## PRODUCT DESCRIPTION

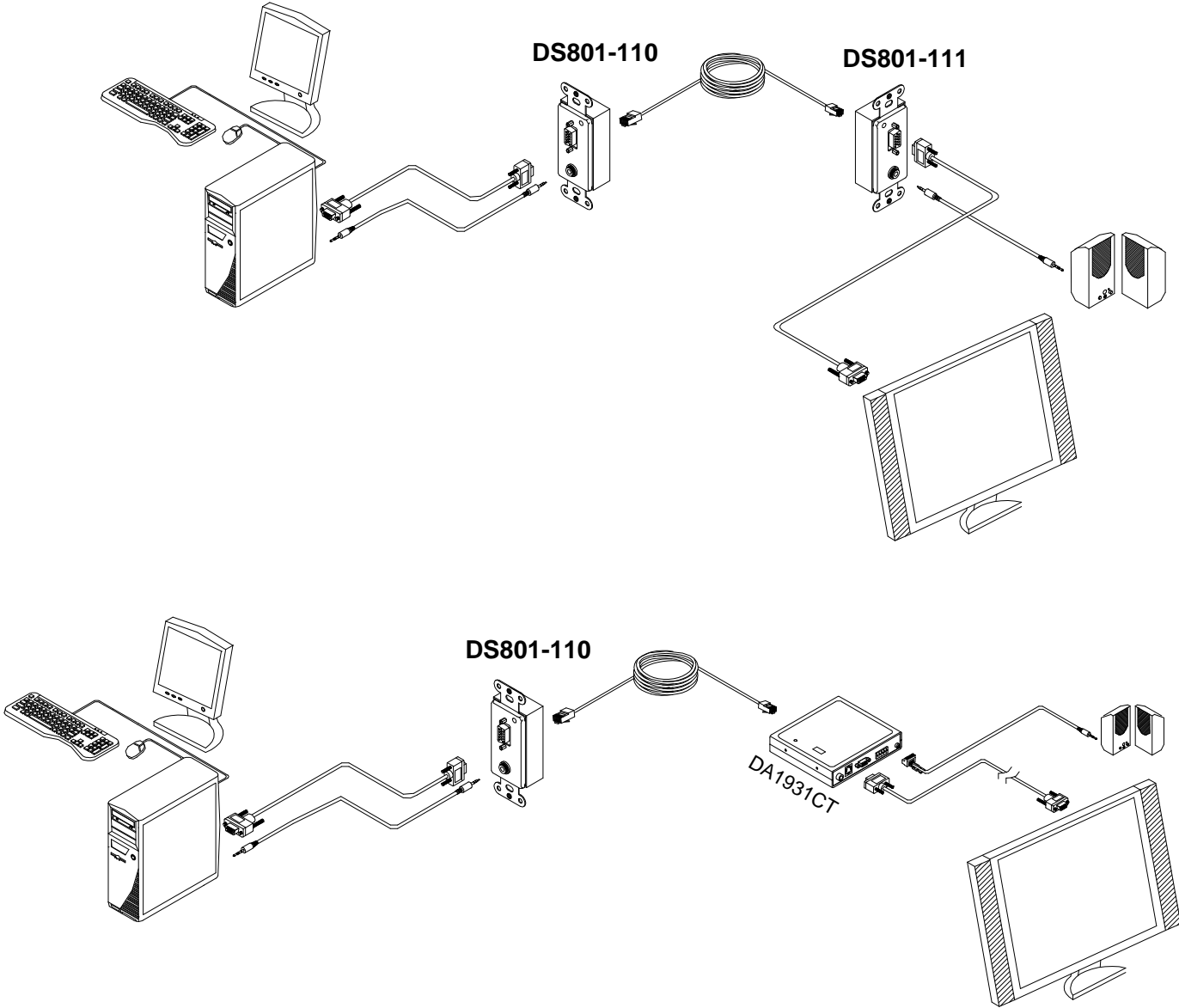
4



**APPLICATION DIAGRAMS**

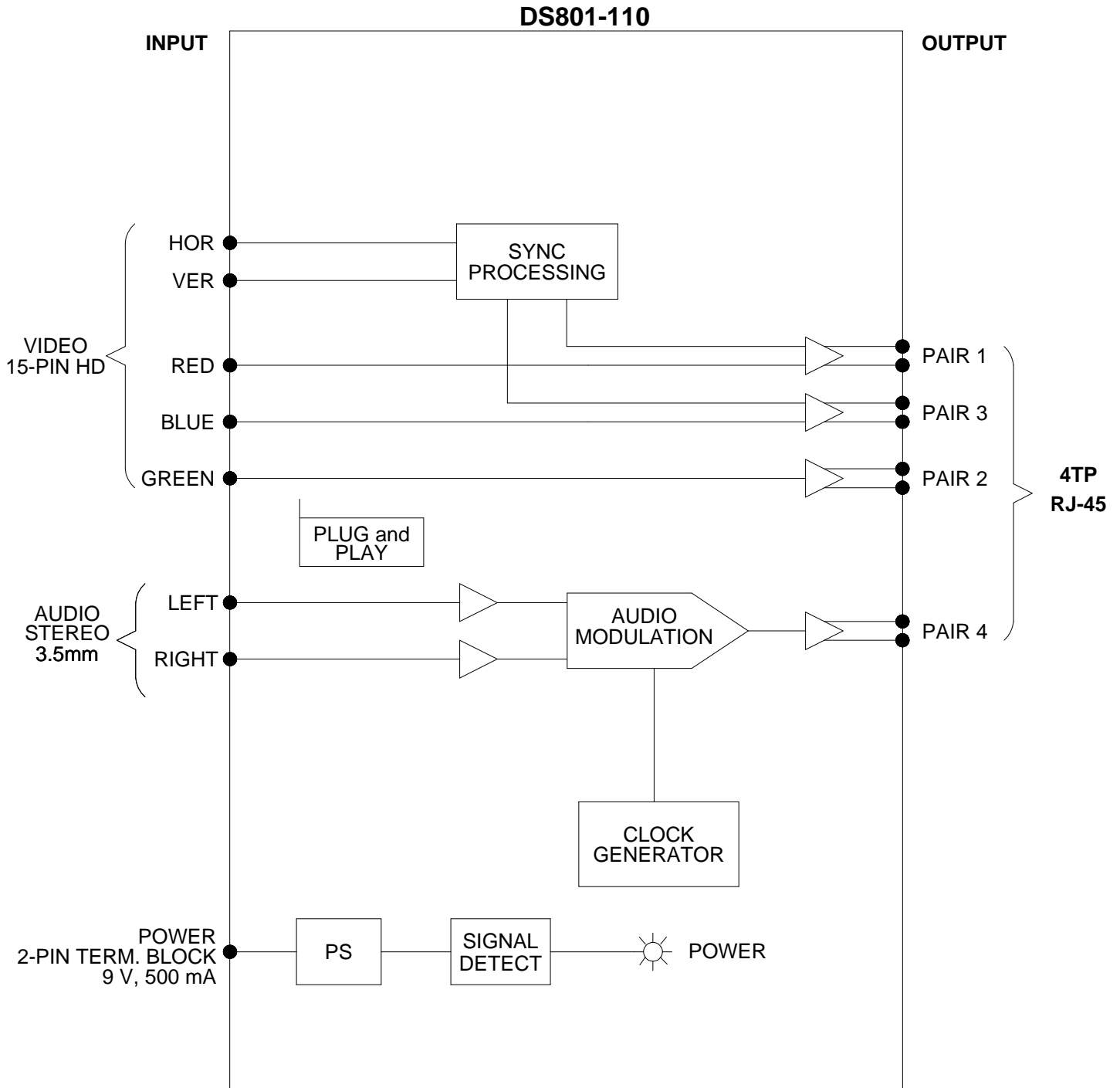
**5**

**DIAGRAM 1: TYPICAL SETUPS**



# SPECIAL APPLICATION

**DIAGRAM 2: INTERNAL VIEW**





## INSTALLING YOUR DS801-110 6

- Step 1.** Determine the best location for the **DS801-110** and TP Receiver. Where possible, locate the **DS801-110** as close to the video source as possible and the receiver as close to the receiving component as feasible.
- Step 2.** Apply power to the 2-pin terminal block on the rear of the **DS801-110**. The Power/Signal Present LED should be on and red.
- Step 3.** Connect the video source to the input of the **DS801-110** using a high quality video cable. The Power/Signal Present LED should change from red to green indicating a signal is present.
- Step 4.** Connect the audio input source to the audio jack on the **DS801-110**.
- Step 5.** Run a UTP-type (CAT-5/CAT-5e) cable from the 4TP OUTPUT on the rear of the **DS801-110** transmitter to the 4TP INPUT on the TP Receiver.
- NOTE: Ensure good signal transmission by routing the cable to avoid any sharp angles, creases, or bends.
- Step 6.** Connect the TP Receiver per its installation instructions. In the case of the **DS801-111**, when the TP signal from the **DS801-110** is applied, the LED will turn from red to green.
- Step 7.** Connect the receiver video and audio outputs to their respective display and amplifying devices.
- Step 8.** The units are now operational.

## OPERATION 7

The **DS801-110** requires no adjustments for operation. Once connected, the **DS801-110** will work trouble-free with no user intervention.

## TROUBLESHOOTING GUIDE 8

We have carefully tested and have found no problems in the supplied **DS801-110**. However, we would like to offer suggestions for the following:

### 8.1 NO DISPLAY

**Cause 1: The source has a problem.**

*Solution:* Check the source and make sure there is a signal present and all source connections are correct. If the source is working and there is still no display, see Cause 2.

**Cause 2: The path has a problem.**

*Solution:* Connect the transmitter directly to the receiver using a UTP patch cable. If the image is good, there is a problem with the cable. Otherwise, see Cause 3.

**Cause 3: Cable connections are incorrect.**

*Solution:* Make sure that cables are properly connected. Also, make sure that the continuity and wiring are good. If there is still no display, see Cause 4.

**Cause 4: Video equalization required.**

*Solution:* Adjust the Video Equalization on the receiver starting at minimum and slowly working your way toward maximum.

**Cause 5: The display has a problem.**

*Solution:* Make sure the display is powered and is turned on. If there is still no display, call ALTINEX at (714) 990-2300.

## 8.2 NO SOUND

**Cause 1: The source has a problem.**

*Solution:* Check the source and make sure that there is a signal present and all source connections are correct. If the source is working and there is still no sound, see Cause 2.

**Cause 2: The volume is too low.**

*Solution:* Increase the gain at the source. If there is still no sound present, see Cause 3.

**Cause 3: Cable connections are incorrect.**

*Solution:* Make sure that cables are properly connected. Also, make sure that the continuity and wiring are good. If there is still no sound, see Cause 4.

**Cause 4: The receiving device has a problem.**

*Solution:* Make sure the receiving device is powered and is turned on. If there is still no sound, please call ALTINEX at (714) 990-2300.

## ALTINEX POLICIES

9

### 9.1 LIMITED WARRANTY/RETURN POLICIES

Please see the ALTINEX website at [www.altinex.com](http://www.altinex.com) for details on warranty and return policies.

### 9.2 CONTACT INFORMATION

**ALTINEX, Inc.**

592 Apollo Street

Brea, CA 92821 USA

**TEL:** 714 990-2300

**TOLL FREE:** 1-800-ALTINEX

**WEB:** [www.altinex.com](http://www.altinex.com)

**E-MAIL:** [solutions@altinex.com](mailto:solutions@altinex.com)

## Free Manuals Download Website

<http://myh66.com>

<http://usermanuals.us>

<http://www.somanuals.com>

<http://www.4manuals.cc>

<http://www.manual-lib.com>

<http://www.404manual.com>

<http://www.luxmanual.com>

<http://aubethermostatmanual.com>

Golf course search by state

<http://golfingnear.com>

Email search by domain

<http://emailbydomain.com>

Auto manuals search

<http://auto.somanuals.com>

TV manuals search

<http://tv.somanuals.com>