

AR-7H

HOT HOLDING ROTISSERIE COMPANION



PASS-THROUGH
OPTION SHOWN



- HALO HEAT... a controlled, uniform heat source that gently surrounds foods for better appearance, taste, and longer holding life.
- Smart styling, advanced design.
- Adjustable thermostat and temperature gauge monitor inside air temperature.
- Solid state electronic control option simplifies temperature setting, has a clear, easy-to-read LED display, and is adjustable in increments of 1 degree.
- Stackable with an identical holding cabinet or matching rotisserie oven without additional hardware.
- Solid stainless steel back prevents further heat loss.

Reach-in companion holding cabinet with 20 gauge non-magnetic stainless steel construction throughout. The cabinet is controlled by one (1) ON/OFF power switch, one (1) adjustable thermostat, 60° to 200°F (16° to 93°C); includes one (1) indicator light; and one (1) holding temperature gauge to monitor inside air temperature. The compartment is equipped with four (4) 60 watt bulbs, four (4) stainless steel wire shelves, two (2) stainless steel side racks, and sixteen (16) non-tilt pan support rails spaced at 2-15/16" (75mm) centers. Low-e glass door and magnetic latch is hinged right, with one (1) rugged, easy-grip, curved handle. One (1) set of 5" (127mm) heavy duty casters—two (2) rigid and two (2) swivel with brake—are included.

Electronic control includes a 4-digit LED display, ON/OFF key, up and down arrow keys for temperature adjustment, and miscellaneous indicator lights for operational status. The control has a built-in lock out feature.

MODEL AR-7H: Hot Holding Rotisserie Companion with single pane flat glass, electronic control

MODEL AR-7H: Hot Holding Rotisserie Companion with single pane flat glass, manual control

MODEL AR-7H: Hot Holding Rotisserie Companion with double pane curved glass, electronic control

MODEL AR-7H: Hot Holding Rotisserie Companion with double pane curved glass, manual control

FACTORY INSTALLED OPTIONS

- Panel color choices
 - ➔ Specify color choice:
 - Stainless steel, standard
 - Black, optional
 - Burgundy, optional
 - Custom color, optional

- Reach-in compartment is standard
 - ➔ Specify pass-through design as a special order
 - Single pane, flat glass door
 - Double pane, curved glass door

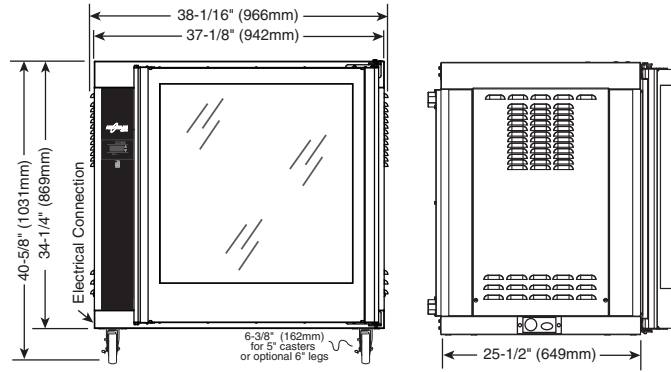
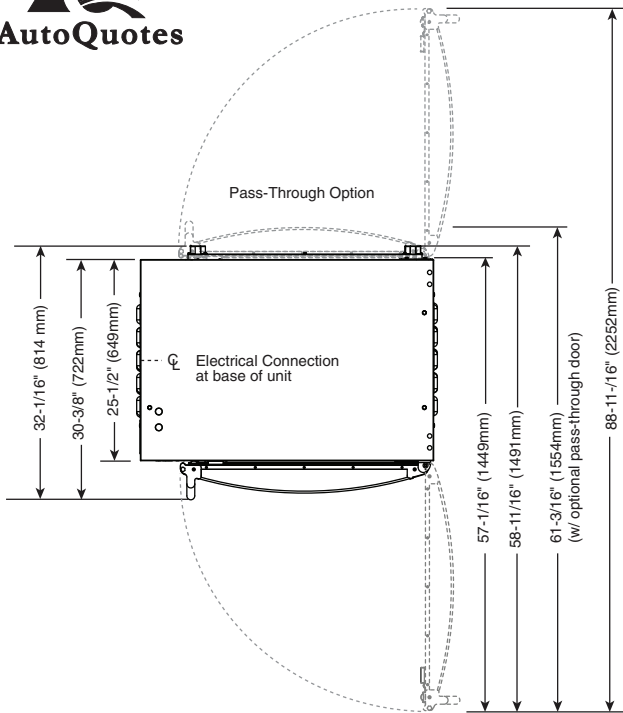
- Right-hand door swing is standard
 - Specify left-hand door as a special order
Pass-through cabinets cannot have both doors hinged on the same side.



ADDITIONAL FEATURES

- Optional HACCP Documentation web-based software provides the ability to program, control, monitor, and store all relevant data.
- Optional HACCP with Kitchen Management web-based software provides the ability to program, control, monitor, and store all relevant data.






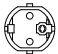


DIMENSIONS: H x W x D

EXTERIOR:

40-5/8" x 38-1/16" x 32-1/16" (1031mm x 966mm x 814mm)

ELECTRICAL

	VOLTAGE	PHASE	CYCLE/HZ	AMPS	kW	PLUG	
208-240V	120	1	50/60	15	1.8	NEMA 5-20P 20A, 125V PLUG	
	at 208	1	50/60	8.5	1.8	NEMA 6-15P 15A, 250V PLUG	
	at 240	1	50/60	9.5	2.3	NEMA 6-15P 15A, 250V PLUG	
	230	1	50/60	9.0	2.1	CEE 7/7 220-230V PLUG	

PRODUCT/PAN CAPACITY

60 lbs (27 kg)

MAXIMUM

FULL-SIZE SHEET PANS*:

Eight (8) 18" x 26" x 1" (457mm x 660mm x 25mm)

HALF-SIZE SHEET PANS*:

Up to Sixteen (16) 18" x 13" x 1" (457mm x 330mm x 25mm)

CHICKEN BOATS: Up to 24 (6 per shelf)

*WITH ADDITIONAL WIRE SHELVES

INSTALLATION REQUIREMENTS

- Appliance must be installed level. It must not be installed in any area where it may be affected by steam, grease, dripping water, high temperatures, or any other severely adverse conditions.
- In order to maintain NSF standards, models must be sealed at bottom by NSF approved sealant, equipped with casters, 4" (102mm) legs for counter models, or 6" (152mm) legs for floor models.

CLEARANCE REQUIREMENTS

6" (152mm) left, right, and rear sides

WEIGHT

NET: 260 lb (118 kg) SHIP: 310 lb (141 kg)

CRATED DIMENSIONS (EST.): H x W x D

49" x 50" x 45" (1245mm x 1270mm x 1143mm)

OPTIONS & ACCESSORIES

ELECTRONIC CONTROL SPECIFY ON ORDER AS REQUIRED

DOOR, DOUBLE PANE CURVED GLASS

WITH HANDLE 5001202

WITHOUT HANDLE 5001075

DOOR HANDLE HD-26900

(FOR SINGLE PANE GLASS DOOR ON NON-CONTROL SIDE)

CONTROL OPTION KIT 5000886

FOR SOFTWARE DOCUMENTATION

COMPUTER SOFTWARE * REFER TO HACCP SPECIFICATION #9015

HACCP Documentation* FOR APPLICABLE PART NUMBERS.

HACCP with Kitchen Management*

CUSTOM PANEL COLORS

BLACK 5001855

BURGUNDY 5001854

CUSTOM COLOR CONTACT FACTORY

LEGS

LEGS, 6" (152mm) ASSEMBLY 5001414

LEGS, 6" (152mm) ASSEMBLY, FLANGED FEET 5001761

SHELF

SHELF, CHROME PLATED WIRE SH-2851

SHELF, STAINLESS STEEL WIRE SH-24720

STAND, STAINLESS STEEL

WITH STORAGE SHELF FR-26550

OPEN (AR-7H OVER 750-S OR 6•10iNES) 5002058

Free Manuals Download Website

<http://myh66.com>

<http://usermanuals.us>

<http://www.somanuals.com>

<http://www.4manuals.cc>

<http://www.manual-lib.com>

<http://www.404manual.com>

<http://www.luxmanual.com>

<http://aubethermostatmanual.com>

Golf course search by state

<http://golfingnear.com>

Email search by domain

<http://emailbydomain.com>

Auto manuals search

<http://auto.somanuals.com>

TV manuals search

<http://tv.somanuals.com>