

Wall-Mount Canopy Grill Vent Hood

PRODUCT MODEL NUMBERS

UXG7360V
UXG7480V

Electrical: 120-volt, 60-Hz, AC-only, 15-amp fused electrical circuit is required.

LOCATION REQUIREMENTS

Canopy grill vent hood location should be away from strong draft areas, such as windows, doors and strong heating vents.

Venting methods

This canopy grill vent hood is factory set for venting through the roof or through the wall. A 10" (25.4 cm) round vent system is needed for installation (not included). The hood exhaust opening is 10" (25.4 cm) round.

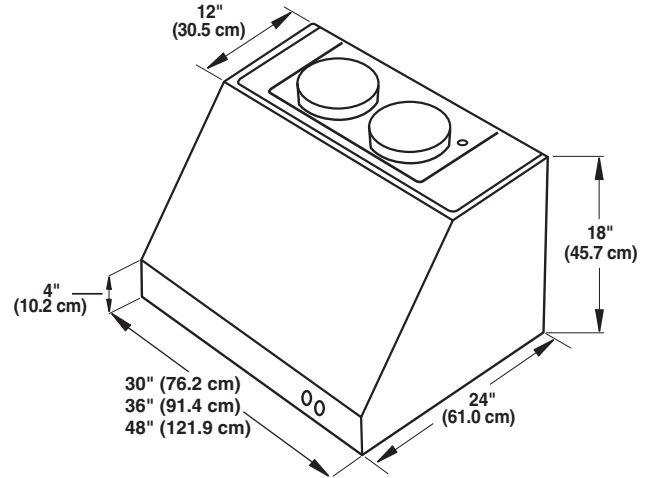
NOTE: Flexible vent is not recommended. Flexible vent creates back pressure and air turbulence that greatly reduce performance. Vent system can terminate either through the roof or through the wall. To vent through a wall, a 90° elbow is needed.

Rear discharge

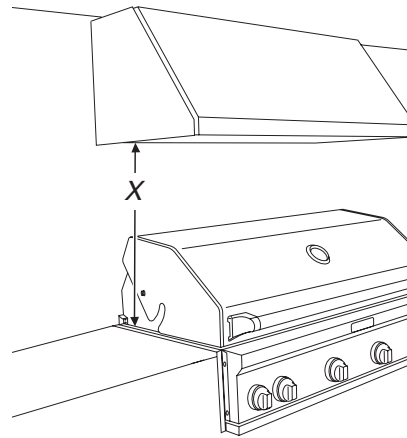
A 90° elbow may be installed immediately above the hood.

PRODUCT DIMENSIONS

Vented installations



INSTALLATION DIMENSIONS



***NOTE:** The grill vent hood duct cover is designed to add 12" (30.5 cm) to meet the ceiling or soffit height. Depending on your model, order:

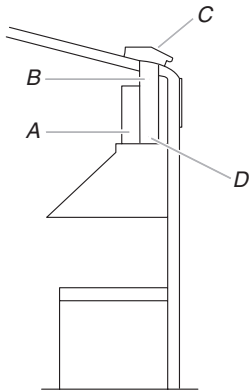
Part Number W10153151 for 30" (76.2 cm) models,
Part Number W10153152 for 36" (91.4 cm) models,
Part Number W10153153 for 48" (121.9 cm).

IMPORTANT:

Minimum distance "X":
30" (76.2 cm)

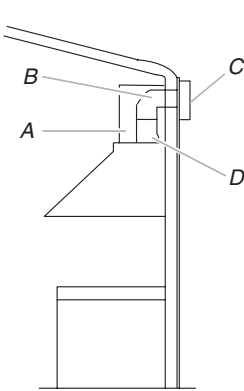
Suggested maximum distance "X": 36" (91.4 cm)

Roof Venting



- A. Optional decorative duct cover
- B. 10" (25.4 cm) round vent
- C. Roof cap
- D. 10" (25.4 cm) round vent transition

Wall Venting



- A. Optional decorative duct cover
- B. 10" (25.4 cm) round vent and elbow
- C. Wall cap
- D. 10" (25.4 cm) round vent transition

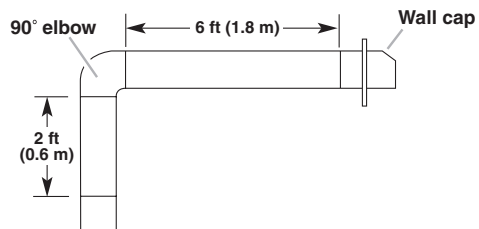
Calculating Vent System Length

To calculate the length of the system you need, add the equivalent feet (meters) for each vent piece used in the system.

Vent Piece	10" (25.4 cm) Round	
45° elbow	2.5 ft (0.8 m)	
90° elbow	5.0 ft (1.5 m)	

Maximum equivalent vent length is 35 ft (10.7 m).

Example vent system



The following example falls within the maximum recommended vent length of 35 ft (10.7 m).

1 - 90° elbow	= 5.0 ft (1.5 m)
1 - wall cap	= 0.0 ft (0.0 m)
8 ft (2.4 m) straight	= 8.0 ft (2.4 m)
Length of system	= 13.0 ft (3.9 m)

Free Manuals Download Website

<http://myh66.com>

<http://usermanuals.us>

<http://www.somanuals.com>

<http://www.4manuals.cc>

<http://www.manual-lib.com>

<http://www.404manual.com>

<http://www.luxmanual.com>

<http://aubethermostatmanual.com>

Golf course search by state

<http://golfingnear.com>

Email search by domain

<http://emailbydomain.com>

Auto manuals search

<http://auto.somanuals.com>

TV manuals search

<http://tv.somanuals.com>