



**AD-630**  
(for Gas Models)  
**Parts Manual**

---

**American Dryer Corporation**  
88 Currant Road  
Fall River, MA 02720-4781  
Telephone: (508) 678-9010 / Fax: (508) 678-9447  
E-mail: tech support@amdry.com

## Retain This Manual In A Safe Place For Future Reference

American Dryer Corporation products embody advanced concepts in engineering, design, and safety. If this product is properly maintained, it will provide many years of safe, efficient, and trouble-free operation.

*ONLY properly licensed technicians should service this equipment.*

**OBSERVE ALL SAFETY PRECAUTIONS** displayed on the equipment or specified in the installation/operator's manual included with the dryer.

**WARNING: UNDER NO CIRCUMSTANCES should the door switch or the heat circuit devices ever be disabled.**

**WARNING: The dryer *must never* be operated with any of the back guards, outer tops, or service panels removed. PERSONAL INJURY or FIRE COULD RESULT.**

We have tried to make this manual as complete as possible and hope you will find it useful. ADC reserves the right to make changes from time to time, without notice or obligation, in prices, specifications, colors, and material, and to change or discontinue models.

### Important

For your convenience, log the following information:

DATE OF PURCHASE \_\_\_\_\_ MODEL NO. **AD-630** \_\_\_\_\_

DISTRIBUTORS NAME \_\_\_\_\_

Serial Number(s) \_\_\_\_\_

\_\_\_\_\_  
\_\_\_\_\_

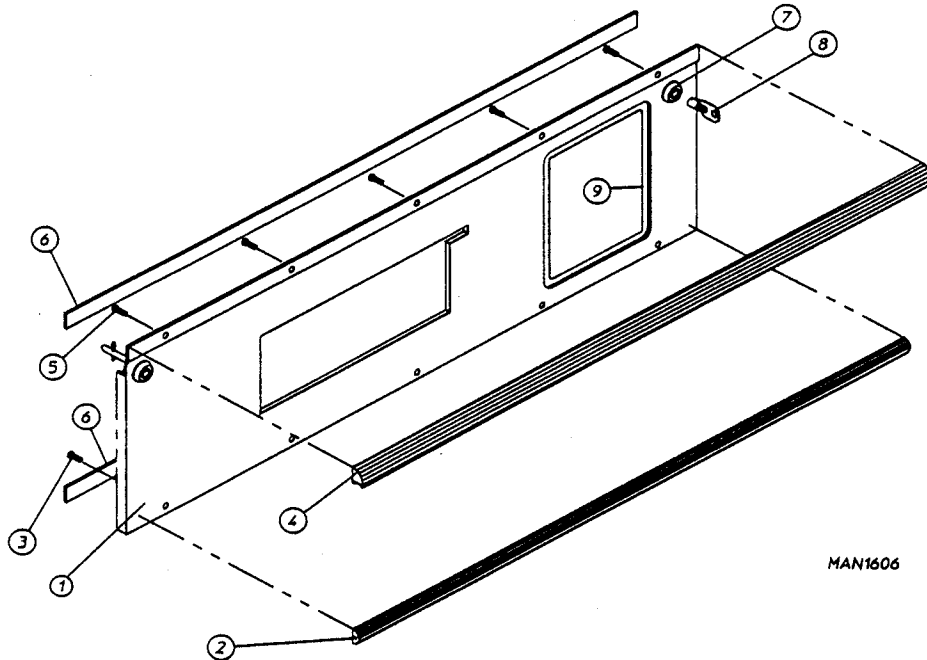
Replacement parts can be obtained from your distributor or the ADC factory. When ordering replacement parts from the factory, you can FAX your order to ADC at (508) 678-9447 or telephone your orders directly to the ADC Parts Department at (508) 678-9010. Please specify the dryer **model number** and **serial number** in addition to the **description** and **part number**, so that your order is processed accurately and promptly.

The illustrations on the following pages may not depict your particular dryer exactly. The illustrations are a composite of the various dryer models. Be sure to check the descriptions of the parts thoroughly before ordering.

INSTRUCTIONS TO BE FOLLOWED IN THE EVENT THE USER  
SMELLS GAS MUST BE POSTED IN A PROMINENT LOCATION. THE  
INSTRUCTIONS TO BE POSTED SHALL BE OBTAINED FROM THE  
LOCAL GAS SUPPLIER.

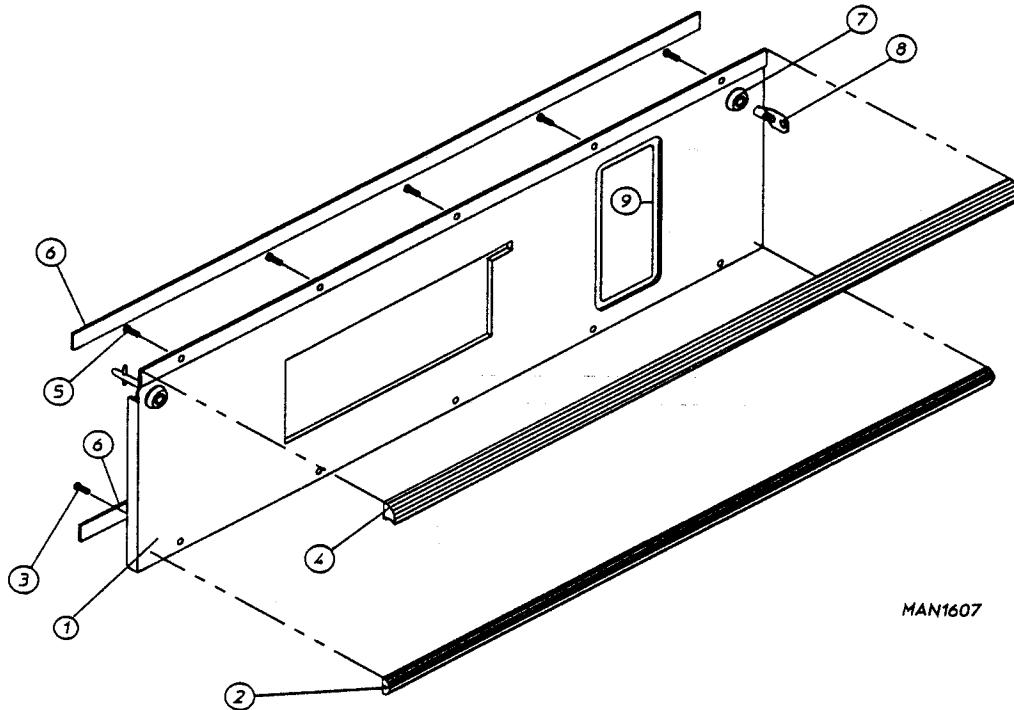
# Table of Contents

|  |    |
|--|----|
| AD-630 (3-leg) Coin Control Door Assembly .....                | 1  |
| AD-630 (3-leg) OPL Door Assembly .....                         | 2  |
| AD-630 Lint Door Assembly .....                                | 3  |
| AD-630 Locking Lint Drawer (Basket) Assembly .....             | 4  |
| AD-630 Single Coin, (DMC) Control Panel Assembly .....         | 5  |
| AD-630 25¢ Coin Acceptor Component Listing .....               | 6  |
| AD-630 Dual Coin, (DMC) Control Panel Assembly .....           | 7  |
| AD-630 Dual Coin Acceptor Component Listing .....              | 8  |
| AD-630 Dual Coin Acceptor Component Listing .....              | 9  |
| AD-630 Dual Coin Acceptor Component Listing .....              | 10 |
| AD-630 OPL, (DMC) Control Panel Assembly .....                 | 11 |
| AD-630 Coin Vault Assembly .....                               | 12 |
| AD-630 (DMC) Control Box Assembly .....                        | 13 |
| AD-630 (DMC) Control Box Assembly .....                        | 14 |
| AD-630 Upper Front Panel Assembly .....                        | 15 |
| AD-630 Lower Front Panel Assembly .....                        | 16 |
| AD-630 Main Door Assembly .....                                | 17 |
| AD-630 Main Door Switch Assembly .....                         | 18 |
| AD-630 Basket (Tumbler) / Support Assembly .....               | 19 |
| AD-630 Basket (Tumbler) Brush Assembly .....                   | 20 |
| AD-630 Temperature Sensor Probe Assembly .....                 | 21 |
| AD-630 Lint Drawer (Basket) Switch Assembly .....              | 22 |
| AD-630 Tumbler Bearing Assembly .....                          | 23 |
| AD-630 Tumbler Bearing Assembly .....                          | 24 |
| AD-630 Totally Enclosed, Non-Vent Motor/Idler Assemblies ..... | 25 |
| AD-630 Totally Enclosed, Non-Vent Motor/Idler Assemblies ..... | 26 |
| AD-630 Gas Train Valve Assembly .....                          | 27 |
| AD-630 Gas Train Valve Assembly .....                          | 28 |
| AD-630 Burner Box / Piping Assemblies.....                     | 29 |
| AD-630 Burner Box / Piping Assemblies.....                     | 30 |
| AD-630 Sail Switch Assembly .....                              | 31 |
| AD-630 Back Guard Assembly .....                               | 32 |
| Optional Gas Piping and Exhaust Ducting Kits .....             | 33 |
| AD-630 12-Rib 95" (J) Ploy Belt Arrangement .....              | 34 |
| AD-630 Bottom Exhaust Duct Assembly .....                      | 35 |
| Additional Parts Available .....                               | 36 |



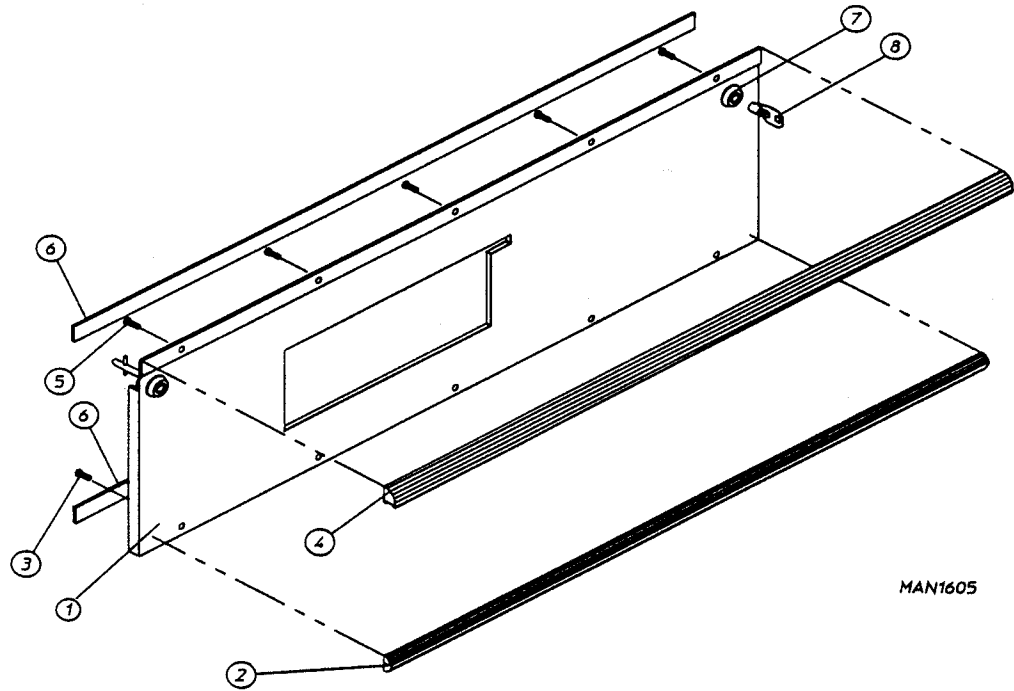
| Illus. No. | Part No. | Qty. | Description   |
|------------|----------|------|---|
| 1          | 881124*  | 1    | AD-630 (3-leg) Coin Control Door Assembly Complete Less Locks (includes illus. # 1 - 6, 9)        |
|            | 881126   | 1    | AD-630 (3-leg) Stainless Steel Coin Control Door Complete Less Locks (includes illus. # 1 - 6, 9) |
| 2          | 180315   | 1    | AD-630 Lower Door Trim (29 11/16" length)   |
| 3          | 150310   | 5    | # 8 x 1/2" Phillips Pan Head "A" Screw  |
| 4          | 180316   | 1    | AD-630 Upper Door Trim (29 11/16" length)   |
| 5          | 150310   | 5    | # 8 x 1/2" Phillips Pan Head "A" Screw  |
| 6          | 117600   | 5    | Noise Suppressor Tape (sold in feet)  |
| 7          | 160040   | 2    | ACE® Lock Assembly Only   |
| 8          | 160140   | -    | ACE® Lock Only (key number xx4451)  |
| 9          | 117602   | 2    | 1/4" Noise Suppressor Tape (sold in feet)   |

\* Specify color when ordering.



| Illus. No. | Part No. | Qty. | Description  |
|------------|----------|------|--|
| 1          | 881123*  | 1    | AD-630 (3-leg) OPL Control Door Assembly Complete Less Locks (includes illus. # 1 - 6, 9)        |
|            | 881128   | 1    | AD-630 (3-leg) Stainless Steel OPL Control Door Complete Less Locks (includes illus. # 1 - 6, 9) |
| 2          | 180315   | 1    | AD-630 Lower Door Trim (29 11/16" length)  |
| 3          | 150310   | 5    | # 8 x 1/2" Phillips Pan Head "A" Screw   |
| 4          | 180316   | 1    | AD-630 Upper Door Trim (29 11/16" length)  |
| 5          | 150310   | 5    | # 8 x 1/2" Phillips Pan Head "A" Screw   |
| 6          | 117600   | 5    | Noise Suppressor Tape (sold in feet)   |
| 7          | 160040   | 2    | ACE® Lock Assembly Only  |
| 8          | 160140   | -    | ACE® Lock Only (key number xx4451)   |
| 9          | 117602   | 2    | 1/4" Noise Suppressor Tape (sold in feet)  |

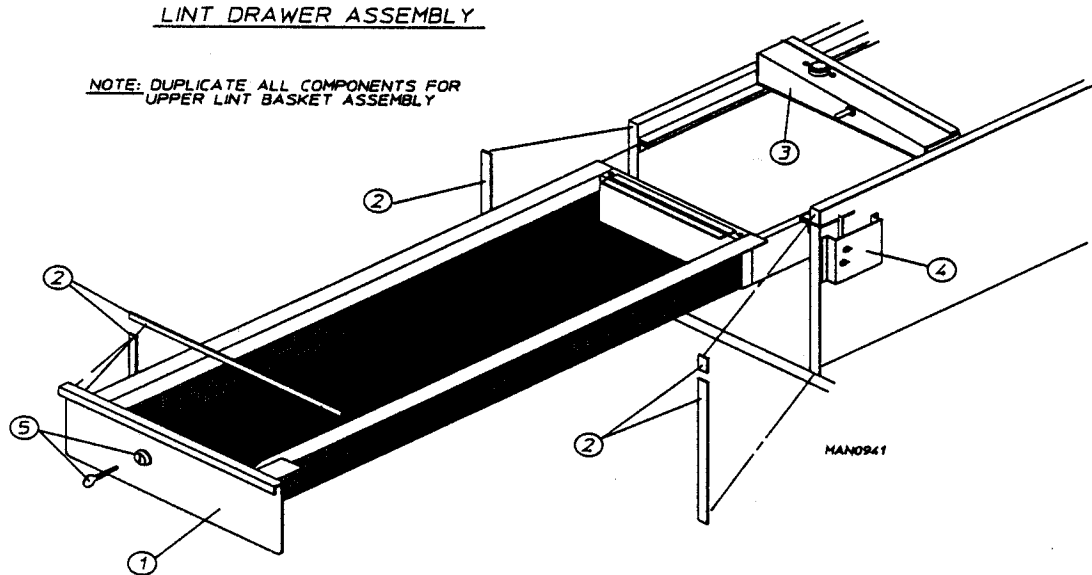
\* Specify color when ordering.



MAN1605

| Illus. No. | Part No. | Qty. | Description   |
|------------|----------|------|---|
| 1          | 880246*  | 1    | AD-630 Lint Door Assembly Complete Less Locks<br>(includes illus. # 1 - 6)        |
|            | 880195   | 1    | AD-630 Stainless Steel Lint Door Complete Less Locks<br>(includes illus. # 1 - 6) |
| 2          | 180315   | 1    | AD-630 Lower Door Trim (29 11/16" length)   |
| 3          | 150310   | 5    | # 8 x 1/2" Phillips Pan Head "A" Screw  |
| 4          | 180316   | 1    | AD-630 Upper Door Trim (29 11/16" length)   |
| 5          | 150310   | 5    | # 8 x 1/2" Phillips Pan Head "A" Screw  |
| 6          | 117600   | 5    | Noise Suppressor Tape (sold in feet)  |
| 7          | 160040   | 2    | ACE® Lock Assembly Only   |
| 8          | 160140   | -    | ACE® Lock Only (key number xx4451)  |

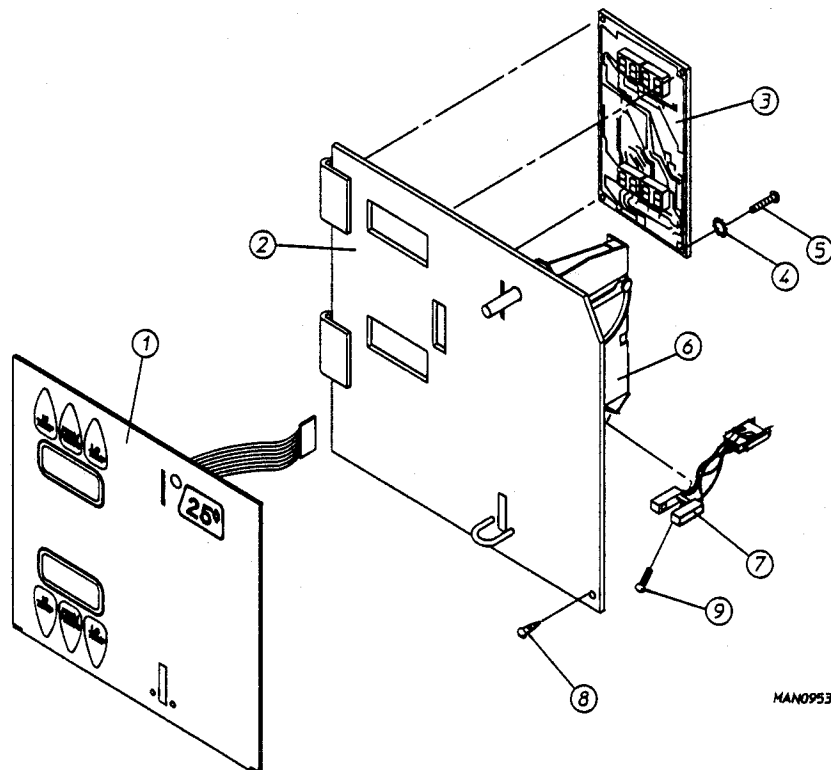
\* Specify color when ordering.



| Illus. No. | Part No. | Qty | Description   |
|------------|----------|-----|---|
| 1          | 880769*  | 1   | AD-630 Locking Lint Drawer (Basket) Assembly Complete Less Lock (includes illus. #1 - 2)                  |
|            | 880770   | 1   | AD-630 Stainless Steel Locking Lint Drawer (Basket) Assembly Complete Less Lock (includes illus. # 1 - 2) |
| 2          | 117600   | 3   | Noise Suppressor Tape (sold in feet)  |
| 3          | -----    | 1   | Temperature Sensor Bracket<br>(refer to AD-630 Temperature Sensor Bracket Assembly on page 22)            |
| 4          | -----    | 1   | Lint Drawer (Basket) Switch<br>(refer to AD-630 Lint Drawer (Basket) Switch Assembly on page 31)          |
| 5          | 160015   | 1   | Lint Drawer Lock Assembly (MK-100)  |
|            | 160104   | 1   | MK-100 Key Only   |
|            | 160016   | 1   | Cam Only  |

\* Specify color when ordering.

(For Single Coin 25¢ Models Only)



| Illus. No. | Part No. | Qty | Description   |
|------------|----------|-----|---|
| 1          | 112556   | 1   | AD-630 Single Coin Twin-Keypad Label Only   |
|            | 112562   | 1   | AD-630 Single Coin Twin-Keypad Label Only   |
| 2          | 824033   | 1   | AD-630 Microprocessor Control Panel w/25 cent Coin Acceptor Complete with Battery Holder (includes illus. # 1 - 7, 9) |
|            | 824012   | 1   | AD-630 Single Coin Control Panel 24v Control less Acceptor (includes illus. # 1 - 5)                                  |
|            | 850437   | 1   | AD-630 DMC Control Panel Only   |
| 3          | 137234   | 1   | Phase-5 Dual Control Microprocessor Only  |
|            | 824998   | 1   | Phase-5 Battery Clip  |
| 4          | 153010   | 2   | # 6 Star Washer   |
| 5          | 150005   | 2   | # 6-32 x 1/4" Phillips Round Head Machine Screw   |
| 6          | -----    | 1   | 25¢ Coin Acceptor Only<br>(refer to AD-630 Coin Acceptor Component Listing on Page 14)                                |
| 7          | 137056   | 1   | Optical Switch Only   |
| 8          | 150301   | 1   | # 8-18 x 7/16" Phillips Pan Head TEK Screw  |
| 9          | 151016   | 1   | #4-40 x 5/16" Slotted Pan Head Machine Screw  |

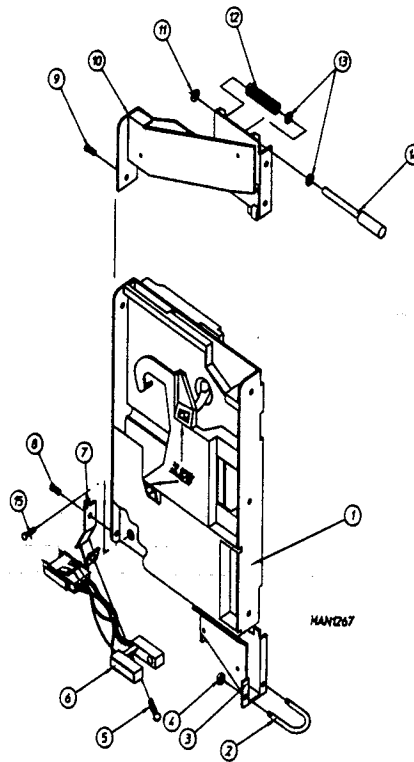
\* Contact factory for export models

Telephone: (508) 678-9010

Fax: (508) 678-9447

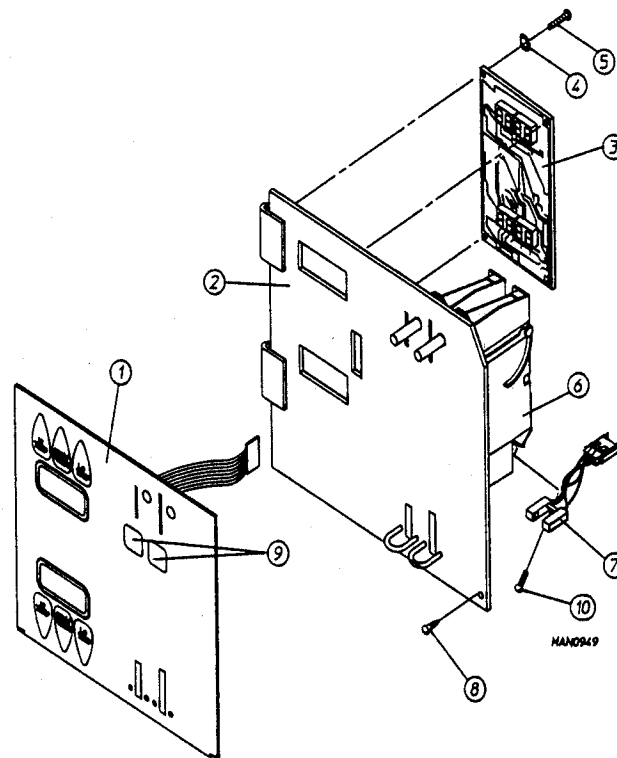


(For Single Coin 25¢ Models Only)



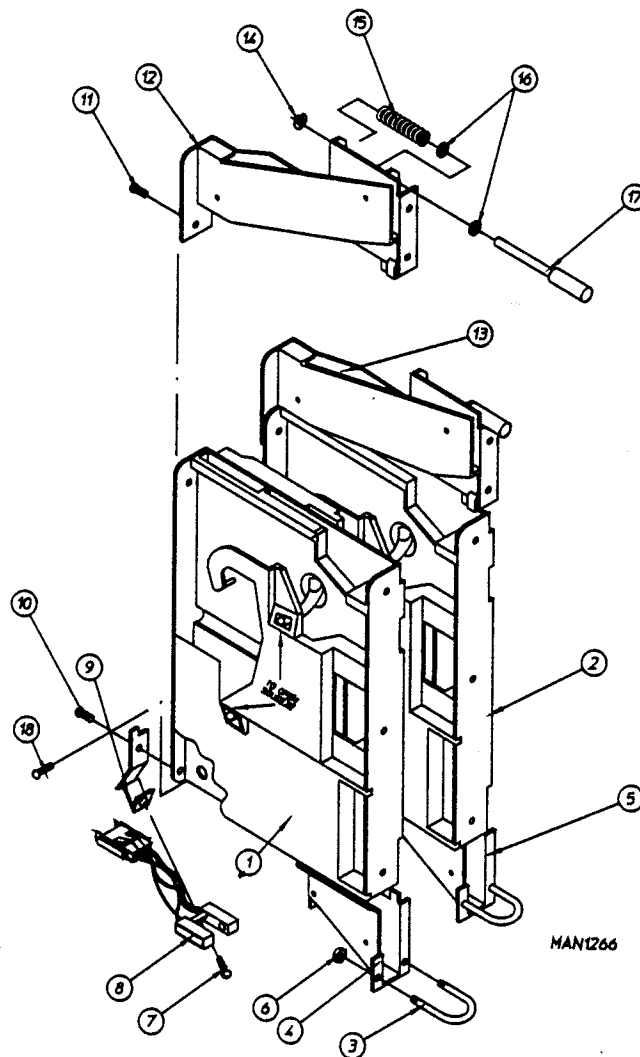
| Illus. No. | Part No. | Qty. | Description  |
|------------|----------|------|--|
| 1          | 125707   | 1    | AD-630 Coin Acceptor Body Only   |
| 2          | 154320   | 1    | # 4-40 x 11/16" x 1" U-Bolt Only   |
| 3          | 880800   | 1    | AD-630 Coin Acceptor Lower Reject with Bracket Kit<br>(includes illus. # 3 - 15) |
|            | 125720   | 1    | AD-630 Coin Acceptor Lower Reject with Bracket Only                              |
| 4          | 152016   | 2    | # 4-40 Hex Nut   |
| 5          | 150020   | 1    | # 4-40 x 5/16" Slotted Pan Head Machine Screw                                    |
| 6          | 137056   | 1    | Optical Switch Only  |
| 7          | 137049   | 1    | Optical Switch Mounting Bracket Only   |
| 8          | 150020   | 1    | # 4-40 x 5/16" Slotted Pan Head Machine Screw                                    |
| 9          | 150020   | 1    | # 4-40 x 5/16" Slotted Pan Head Machine Screw                                    |
| 10         | 125715   | 1    | AD-630 Coin Acceptor Upper Assembly Complete<br>(includes illus. # 10 - 14)      |
| 11         | 125706   | 1    | 3/16" Coin Acceptor Retaining Ring Only  |
| 12         | 125704   | 1    | Coin Acceptor Spring Only  |
| 13         | 125705   | 2    | Coin Acceptor Spacer Only  |
| 14         | 125703   | 1    | Coin Acceptor Rod Only   |
| 15         | 150110   | 1    | # 8-32 x 1/4" Binding Head Phillips Machine Screw                                |

(For Export Models Only)



| Illus. No. | Part No. | Qty. | Description   |
|------------|----------|------|---|
| 1          | 112557   | 1    | AD-630 DMC Coin Twin Keypad Label Only  |
| 2          | 824019   | 1    | AD-630 DMC Dual Coin Control Panel Assembly Less Coin<br>Acceptor (includes illus. # 1 - 5) |
|            | 850447   | 1    | AD-630 Dual Coin Control Panel Only   |
| 3          | 137234   | 1    | Phase-5 Dual Control Microprocessor Only  |
|            | 824998   | 1    | Phase-5 Battery Clip  |
| 4          | 153010   | 2    | # 6 Star Washer   |
| 5          | 150005   | 2    | # 6-32 x 1/4" Phillips Round Head Machine Screw   |
| 6          | -----    | 1    | Dual Coin Acceptor Only<br>(refer to AD-630 Dual Coin Acceptor Component Listing on page 9) |
| 7          | 137056   | 2    | Optical Switch Only   |
| 8          | 150301   | 1    | # 8-18 x 7/16" Phillips Pan Head TEK Screw  |
| 9          | 112153   | 1    | 25¢ / \$1 Currency Label (Canada Only)  |
|            | 112152   | 1    | 20P / 50P Currency Label (United Kingdom Only)  |
|            | 112154   | 1    | 20P / 1£ Currency Label (United Kingdom Only)   |
|            | 112150   | 1    | 5BF / 20BF Currency Label (Belgium Only)  |
|            | 112151   | 1    | 2FF / 5FF Currency Label (France Only)  |
|            | 112155   | 1    | 5KR / 10KR Currency Label (Denmark Only)  |
|            | 112156   | 1    | 25¢ / 1G Currency Label (Netherlands Only)  |
| 10         | 152016   | 1    | #4-40 x 5/16" Slotted Pan Head Machine Screw  |

(For Export Models Only)

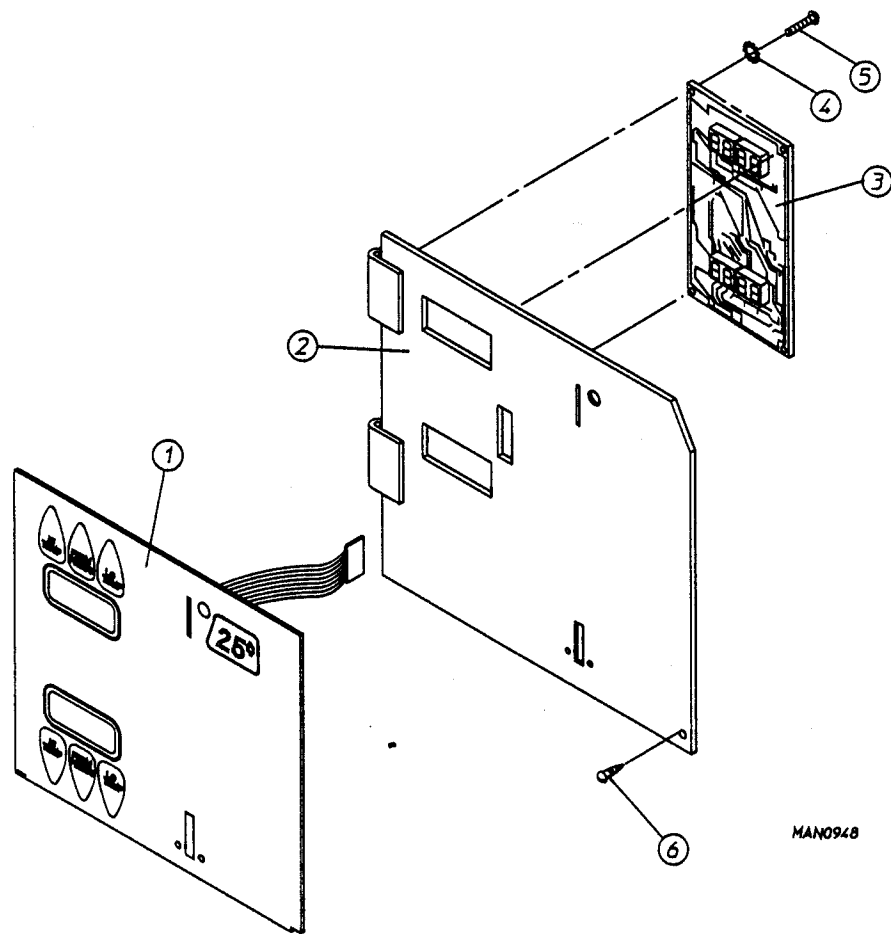


| Illus. No. | Part No. | Qty.   | Description                                    |
|------------|----------|--------|--|
| 1          | 125726   | 1      | \$1 Canadian Coin Acceptor Body Only           |
|            | 125729   | 1      | 50 English Pence (50P) Coin Acceptor Body Only |
|            | 125730   | 1      | 1 English Pound (1£) Coin Acceptor Body Only   |
|            | 125732   | 1      | 20 Belgian Franc (20BF) Coin Acceptor Only     |
|            | 125735   | 1      | 5 Franc (5FF) Coin Acceptor Body Only          |
|            | 125738   | 1      | 10 Danish Krone (10KR) Coin Acceptor Body Only |
|            | 125740   | 1      | 1 Dutch Guilder (1G) Coin Acceptor Body Only   |
|            | 2        | 125725 | 1  |
| 125728     |          | 1      | 20 English Pence (20P) Coin Acceptor Body Only |
| 125731     |          | 1      | 5 Belgian Franc (5BF) Coin Acceptor Body Only  |
| 125734     |          | 1      | 2 French Franc (2FF) Coin Acceptor Body Only   |
| 125737     |          | 1      | 5 Danish Krone (5KR) Coin Acceptor Body Only   |
| 125739     |          | 2      | 25¢ Dutch Guilder Coin Acceptor Body Only      |
| 3          | 154320   | 2      | # 4-40 x 11/16" x 1" U-Bolt Only               |

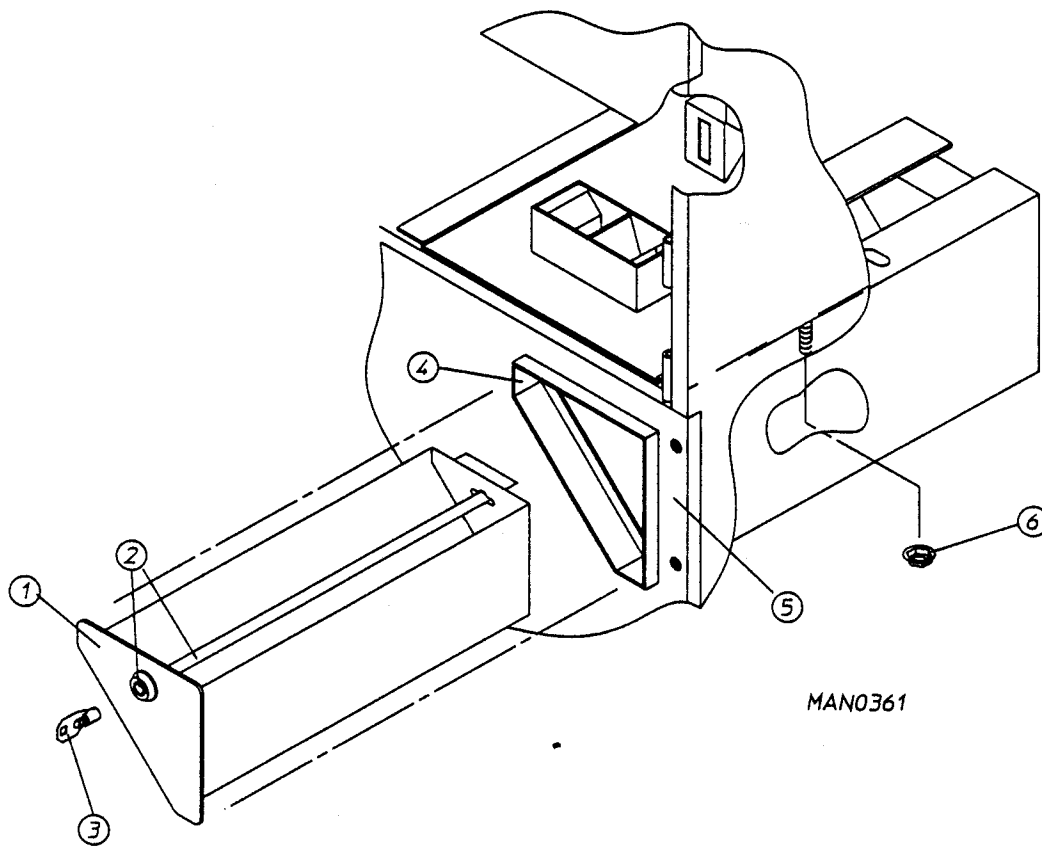
| Illus. No. | Part No. | Qty.  | Description  |  |   |
|------------|----------|---|--|--|---|
| 4          | 880801   | 1   | Large Lower Reject with Bracket Kit<br>(includes illus. # 4 & 18)                                |  |   |
|            |          | 1   | \$1 Canadian Coin Acceptor Lower Assembly Only   |  |   |
|            | 125721   | 1   | 50 English Pence (50P) Coin Acceptor Lower Assembly Only   |  |   |
|            |          | 1   | 1 English Pound (1£) Coin Acceptor Lower Assembly Only   |  |   |
|            |          | 1   | 20 Belgian Franc (20BF) Coin Acceptor Lower Assembly Only  |  |   |
|            |          | 1   | 5 French Franc (5FF) Coin Acceptor Lower Assembly Only   |  |   |
|            |          | 1   | 10 Danish Krone (10KR) Coin Acceptor Lower Assembly Only   |  |   |
|            |          | 1   | 1 Dutch Guilder (1G) Coin Acceptor Lower Assembly Only   |  |   |
|            |          | 5   | 880800   | 1  | Small Lower Reject with Bracket Kit<br>(includes illus. # 5 & 18) |
|            |          |   |  | 1  | 25 ¢ Canadian Coin Acceptor Assembly Only                         |
| 125720     | 1        |   | 20 English Pence (20P) Coin Acceptor Assembly Only   |  |   |
|            | 1        |   | 5 Belgian Franc (5BF) Coin Acceptor Assembly Only  |  |   |
|            | 1        |   | 25¢ Dutch Guilder Coin Acceptor Assembly Only  |  |   |
| 880801     | 1        |   | Large Lower Reject with Bracket Kit<br>(includes illus. # 5 & 18)                                |  |   |
|            | 125721   |   | 1  | 2 French Franc (2FF) Coin Acceptor Assembly Only |   |
|            |          |   | 1  | 5 Danish Krone (5KR) Coin Acceptor Assembly Only |   |
|            | 6        |   | 152016   | 4  | # 4-40 Hex Nut  |
| 7          | 150020   |   | 2  | # 4-40 x 5/16" Slotted Pan Head Machine Screw    |   |
| 8          | 137056   | 2   | Optical Switch   |  |   |
| 9          | 137049   | 2   | Optical Switch Mounting Bracket  |  |   |
| 10         | 150020   | 2   | # 4-40 Hex Nut   |  |   |
| 11         | 150020   | 2   | # 4-40 x 5/16" Slotted Pan Head Machine Screw  |  |   |
| 12         | 125716   | 1   | \$1 Canadian Coin Acceptor Upper Assembly Complete<br>(includes illus. # 12 & 14 - 17)           |  |   |
|            |          | 1   | 50 English Pence (50P) Coin Acceptor Upper Assembly Complete<br>(includes illus. # 12 & 14 - 17) |  |   |
|            | 1        | 1 English Pound (1£) Coin Acceptor Upper Assembly Complete<br>(includes illus. # 12 & 14 - 17)    |  |  |   |
|            | 1        | 20 Belgian Franc (20BF) Coin Acceptor Upper Assembly Complete<br>(includes illus. # 12 & 14 - 17) |  |  |   |
|            | 1        | 5 French Franc (5FF) Coin Acceptor Upper Assembly Complete<br>(includes illus. # 12 & 14 - 17)    |  |  |   |
|            | 1        | 10 Danish Krone (10KR) Coin Acceptor Upper Assembly Complete<br>(includes illus. # 12 & 14 - 17)  |  |  |   |
|            | 1        | 1 Dutch Guilder (1G) Coin Acceptor Upper Assembly Complete<br>(includes illus. # 12 & 14 - 17)    |  |  |   |

(For Export Models Only)

| Illus. No. | Part No. | Qty. | Description   |
|------------|----------|------|---|
| 13         | 125715   | 1    | 25¢ Canadian Coin Acceptor Upper Assembly Complete<br>(includes illus. # 13 - 17)           |
|            |          | 1    | 20 English Pence (20P) Coin Acceptor Upper Assembly Complete<br>(includes illus. # 13 - 17) |
|            |          | 1    | 5 Belgian Franc (5BF) Coin Acceptor Upper Assembly Complete<br>(includes illus. # 13 - 17)  |
|            |          | 1    | 25¢ Dutch Guilder Coin Acceptor Upper Assembly Complete<br>(includes illus. # 13 - 17)      |
|            | 125716   | 1    | 2 French Franc (2FF) Coin Acceptor Upper Assembly Complete<br>(includes illus. # 13 - 17)   |
|            |          | 1    | 5 Danish Krone (5KR) Coin Acceptor Upper Assembly Complete<br>(includes illus. # 13 - 17)   |
| 14         | 125706   | 2    | 3/16" Coin Acceptor Retainer Ring Only  |
| 15         | 125704   | 2    | Coin Acceptor Spring Only   |
| 16         | 125705   | 4    | Coin Acceptor Spacer Only   |
| 17         | 125703   | 2    | Coin Acceptor Rod Only  |
| 18         | 150110   | 2    | # 8-32 x 1/4" Binding Head Phillips Machine Screw   |



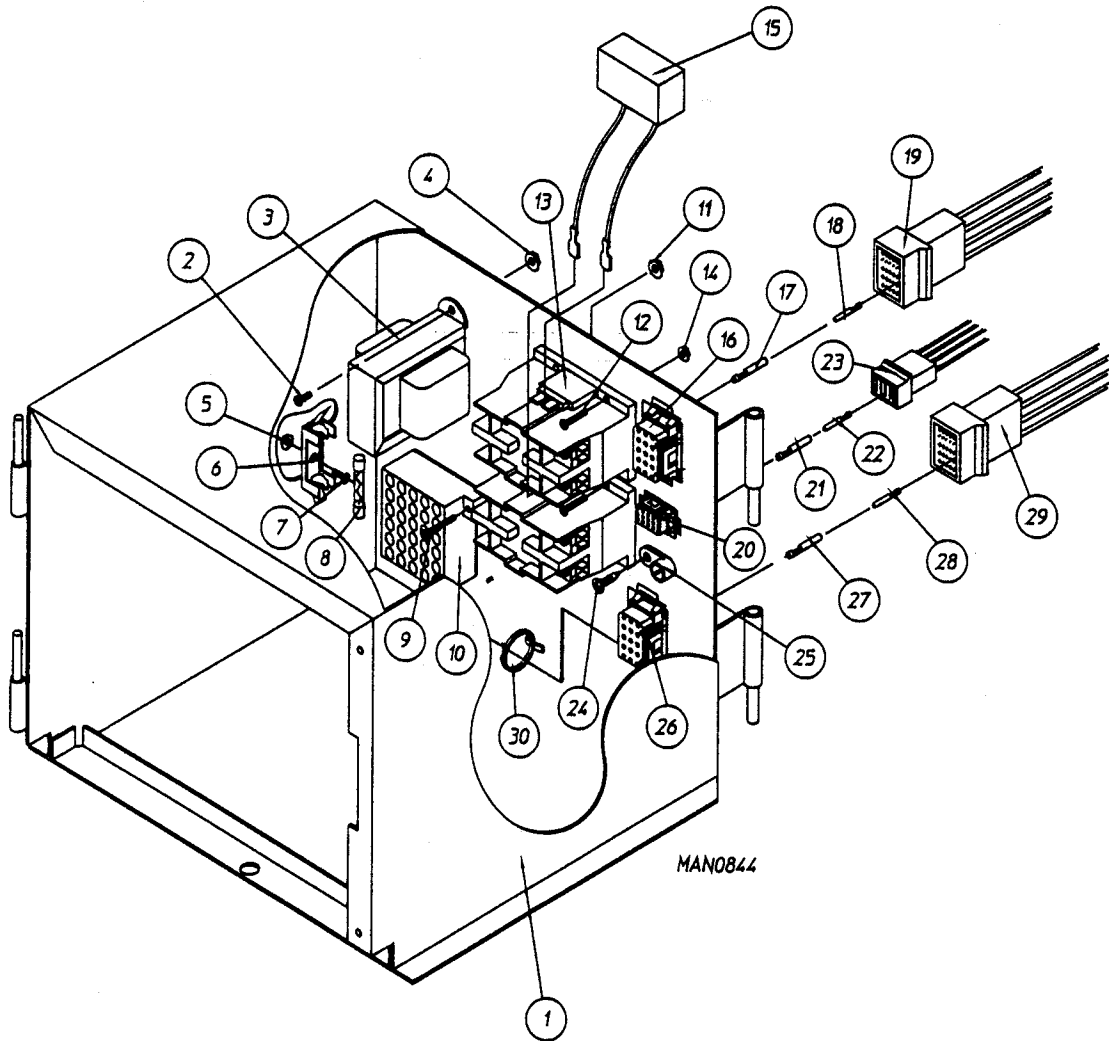
| Illus. No. | Part No. | Qty. | Description  |
|------------|----------|------|--|
| 1          | 112556   | 1    | AD-630 Single Coin Twin-Keypad Label Only  |
| 2          | 824009   | 1    | AD-630 OPL Control Panel 24v Assembly complete (includes illus. # 1 - 5)                     |
|            | 824011   | 1    | AD-630 OPL Control Panel 24v Assembly Complete with Battery Option (includes illus. # 1 - 5) |
| 3          | 137234   | 1    | Phase-5 Dual Control Microprocessor  |
|            | 824998   | 1    | Phase-5 Battery Clip   |
| 4          | 153010   | 2    | # 6 Star Washer  |
| 5          | 150005   | 2    | # 6-32 x 1/4" Phillips Round Head Machine Screw  |
| 6          | 150301   | 1    | # 8-18 x 7/16" Phillips Pan Head TEK Screw   |



| Illus. No. | Part No. | Qty. | Description   |
|------------|----------|------|---|
| 1*         | 880118   | 1    | AD-630 Coin Box Assembly Only Less Lock   |
| 2          | 160036** | 1    | ACE® Lock Assembly with Key   |
| 3          | 160136** | 1    | ACE® Key Only   |
| 4*         | 880117   | 1    | AD-630 Coin Vault Assembly Only Less Lock<br>(includes illus. # 1, 4 and 6)             |
| 5          | 800690*  | 1    | Lower Front Panel<br>(see AD-630 Lower Front Panel Assembly on page 16)                 |
|            | 800687   | 1    | Lower Front Panel<br>(see AD-630 Stainless Steel Lower Front Panel Assembly on page 16) |
| 6          | 152014   | 4    | 1/4-20 Free Spin Wash Nut   |

\* Specify color when ordering

\*\* Specify key number when ordering

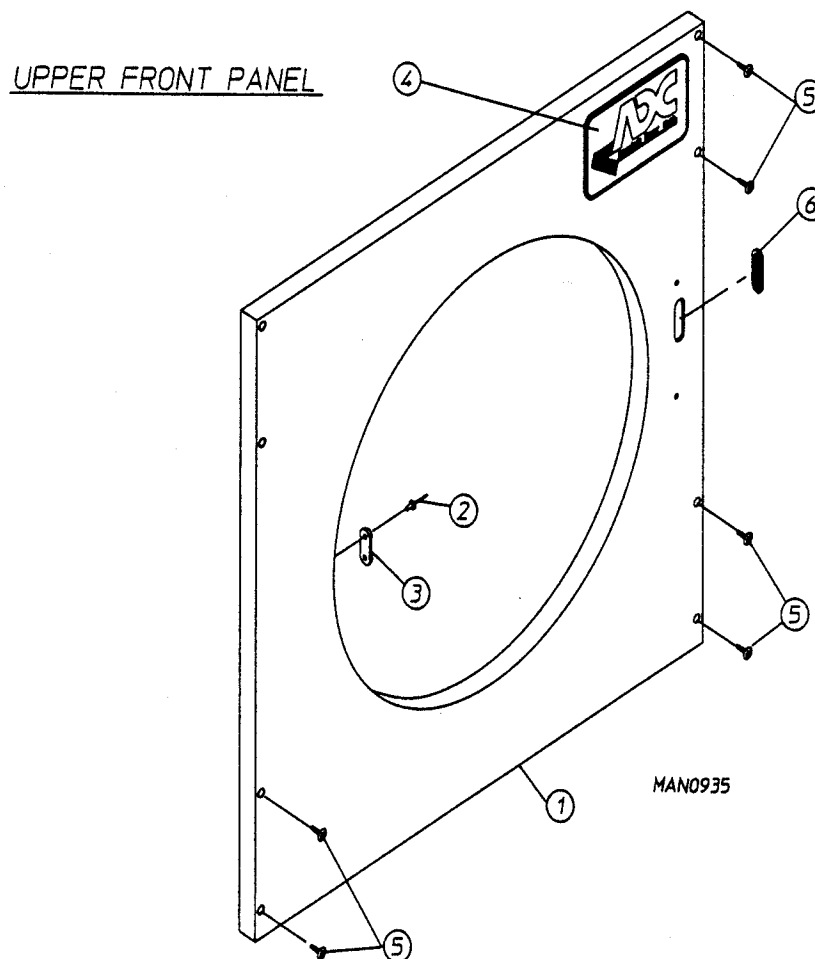




| Illus. No. | Part No. | Qty. | Description  |
|------------|----------|------|--|
| 1          | 824437   | 1    | AD-630 Electric Box Complete (208 Volt)<br>(includes illus. # 1 - 17, 20, 21, and 24 - 27)         |
|            | 824438   | 1    | AD-630 Electric Box Complete (220/230/240 Volt)<br>(includes illus. # 1 - 17, 20, 21, and 24 - 27) |
|            | 824439   | 1    | AD-630 Electric Box Complete (120 Volt)<br>(includes illus. # 1 - 17, 20, 21, and 24 - 27)         |
| 2          | 150103   | 2    | # 8-32 x 3/4" Round Head Machine Screw   |
| 3          | 141403   | 1    | 24 VAC Transformer   |
| 4          | 151001   | 2    | # 8-32 Pal Nut   |
| 5          | 151000   | 1    | # 6-32 Pal Nut   |
| 6*         | 136008   | **   | 3-Position Fuse Block  |
| 7          | 150002   | 1    | # 6-32 x 1" Round Head Machine Screw   |
| 8*         | 136057   | **   | 1/2 Amp (Slo-Blo) Fuse Only  |
| 9          | 150002   | 2    | # 6-32 x 1" Round Head Machine Screw   |
| 10         | 120715   | 1    | 30 Position Terminal Block   |
| 11         | 151000   | 2    | # 6-32 Pal Nut   |
| 12         | 150103   | 4    | # 8-32 x 3/4" Round Head Machine Screw   |
| 13         | 132451   | 2    | 2-Pole Connector   |
| 14         | 151001   | 4    | # 8-32 Pal Nut   |
| 15         | 824828   | 2    | RC Network with Connectors   |
| 16         | 122626   | 1    | 15-Pin Socket Connector Only   |
| 17         | 122705   | 9    | Socket Terminal Only   |
| 18         | 122704   | 9    | Pin Terminal Only  |
| 19         | 122625   | 1    | 15-Pin Connector Only  |
|            | 137025   | 1    | 6/15 Position Strain Relief (Not Illustrated)  |
| 20         | 122631   | 11   | 6-Pin Socket Connector Only  |
| 21         | 122705   | 6    | Socket Terminal Only   |
| 22         | 122704   | 6    | Pin Terminal Only  |
| 23         | 122630   | 1    | 6-Pin Connector Only   |
|            | 137025   | 1    | 6/15 Position Strain Relief (Not Illustrated)  |
| 24         | 150415   | 1    | # 10-16 x 1/2" Phillips Round Head Crimptite Screw   |
| 25         | 121010   | 1    | L-70 Ground Lug  |
| 26         | 122626   | 1    | 15-Pin Connector Only  |
| 27         | 122705   | 7    | Socket Terminal Only   |
| 28         | 122704   | 7    | Pin Terminal Only  |
| 29         | 122625   | 1    | 15-Pin Connector Only  |
|            | 137025   | 1    | 6/15 Position Strain Relief (Not Illustrated)  |
| 30         | 121494   | 10   | Push-Mount Wire Tie  |
| -          | 122801   | 1    | Pin/Socket Extraction Tool   |
| -          | 122800   | 1    | Microprocessor (female) Pin Extraction Tool  |

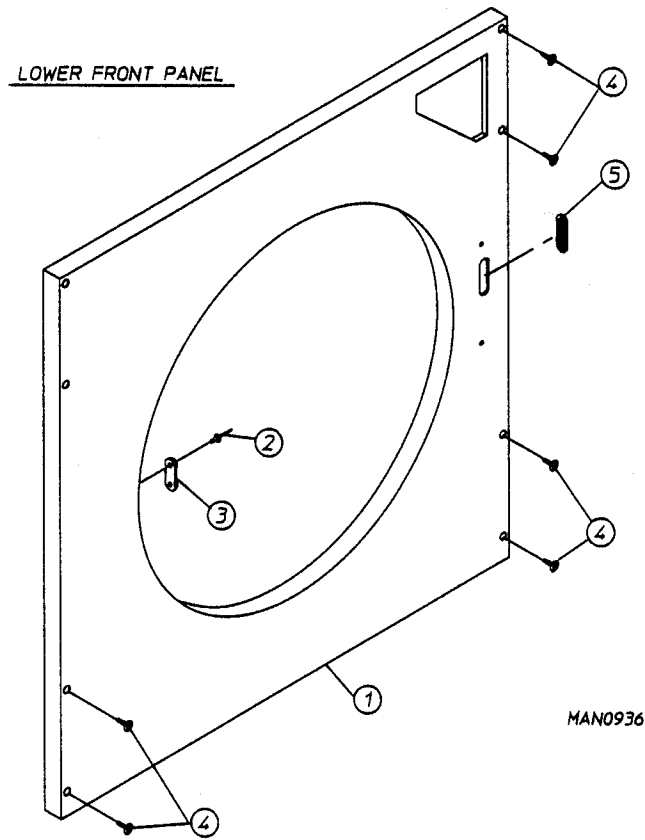
\* Check fuse rating for verification.

\*\* 115 v Application Qty=1.

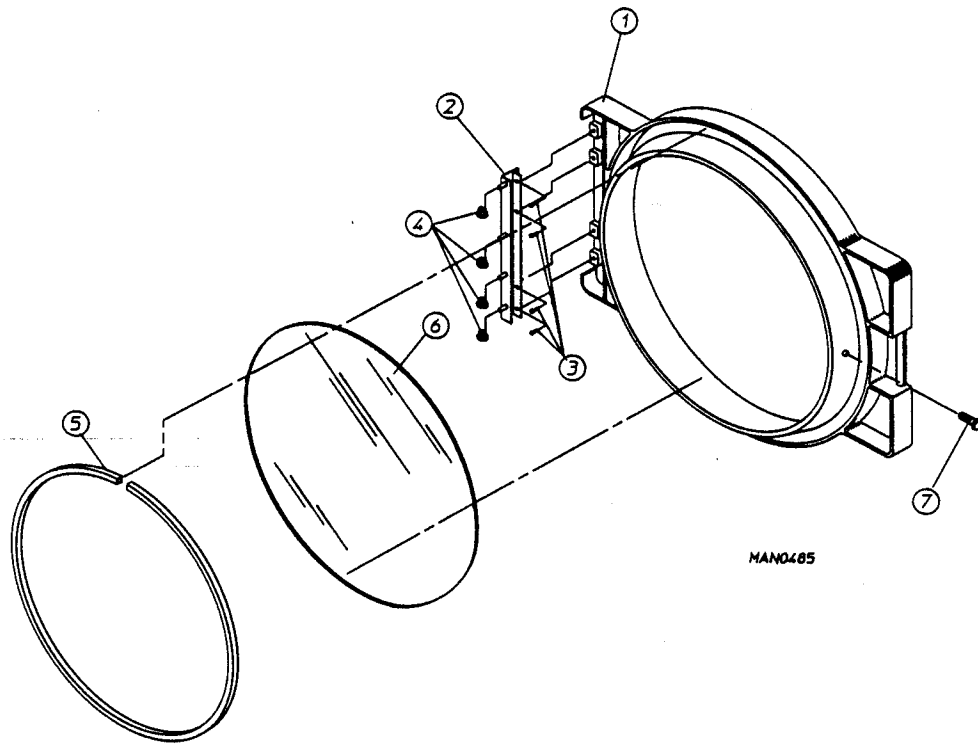


| Illus. No. | Part No. | Qty. | Description  |
|------------|----------|------|--|
| 1          | 800685*  | 1    | AD-630 Upper Front Panel Assembly Complete with hinge (includes illus. # 1 - 3, 6)                 |
|            | 800686   | 1    | AD-630 Stainless Steel Upper Front Panel Assembly Complete with Hinge (includes illus. # 1 - 3, 6) |
| 2          | 154215   | 2    | 1/8" Pop Rivet   |
| 3          | 170330   | 1    | Friction Door Latch  |
| 4          | 881053   | 1    | ADC Logo with Tape   |
|            | 870011   | -    | Logo Double Sided Tape Kit   |
| 5          | 150415   | 8    | # 10-16 x 1/2" Phillips Round Head Screw   |
| 6          | 121405   | 1    | Rubber Grommet   |

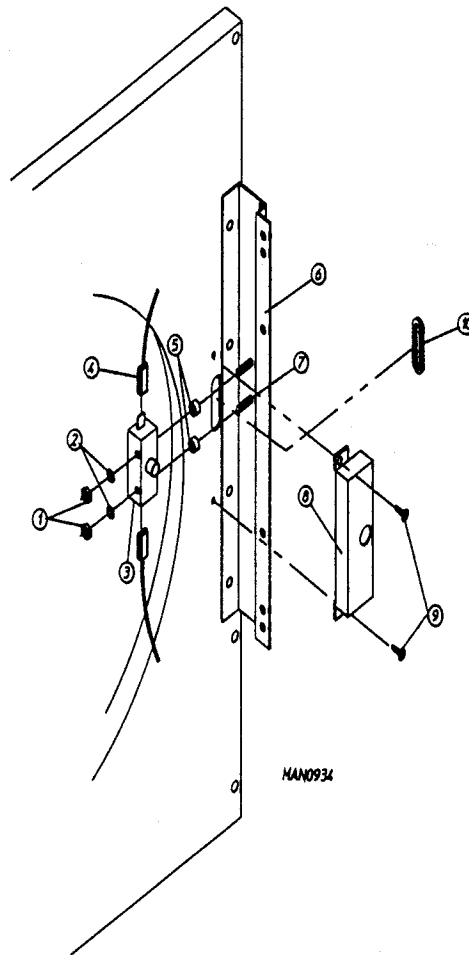
\* Specify color when ordering.



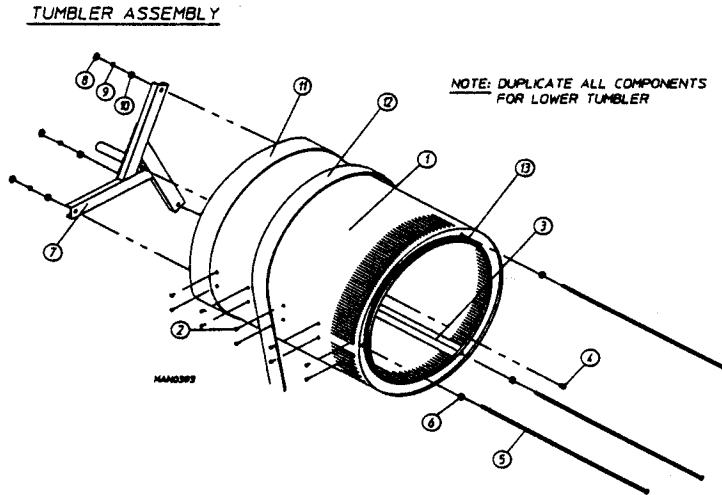
| Illus. No. | Part No. | Qty. | Description   |
|------------|----------|------|---|
| 1          | 800690*  | 1    | AD-630 Lower Front Panel Assembly Complete with Hinge (includes illus. # 1 - 3, 5) For Coin Models Only                 |
|            | 800687   | 1    | AD-630 Stainless Steel Lower Front Panel Assembly Complete with Hinge (includes illus. # 1 - 3, 5) For Coin Models Only |
|            | 800685*  | 1    | AD-630 Lower Front Panel Assembly Complete with Hinge (includes illus. # 1 - 3, 5) For OPL Models Only                  |
|            | 800686   | 1    | AD-630 Stainless Steel Lower Front Panel Assembly Complete with Hinge (includes illus. # 1 - 3, 5)                      |



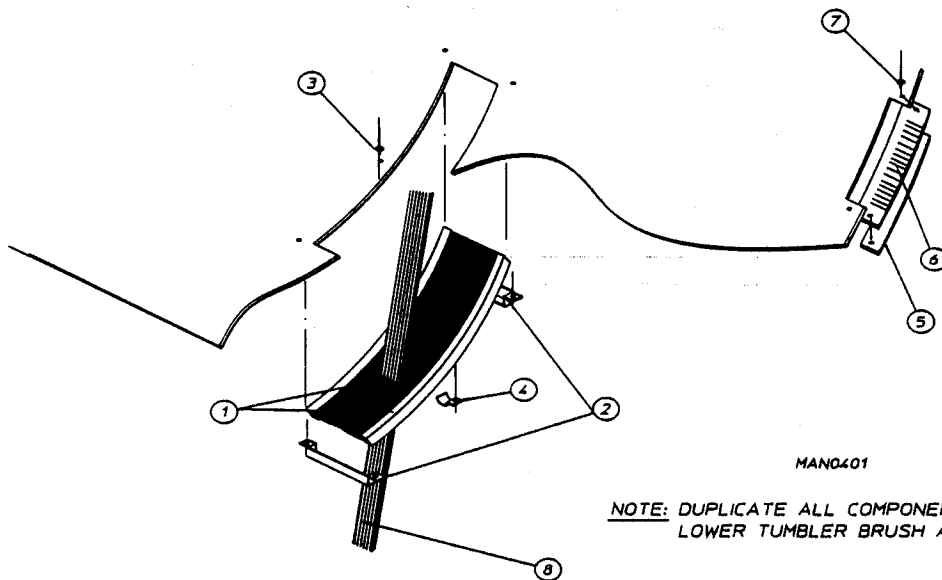
| Illus. No. | Part No. | Qty. | Description   |
|------------|----------|------|---|
| 1          | 800286   | 1    | AD-630 Black Main Door Assembly Complete<br>(includes illus # 1, 5, 6, 7) |
| 2          | 800448   | 1    | 12 1/2" Stainless Steel Main Door Hinge                                   |
| 3          | 150410   | 4    | # 10-24 x 3/8" Phillips Pan Head Taptite Screw                            |
| 4          | 152014   | 4    | 1/4-20 Free Spin Wash Nut   |
| 5          | 102353   | 1    | 69 1/2" Main Door Gasket  |
| 6          | 102210   | 1    | 20 7/16" Door Glass   |
|            | 170730   | 1    | Glass Adhesive for Lightweight Main Door Assembly (10.3 oz. Cartridge)    |
| 7          | 150431   | 1    | Main Door Latch Screw (# 10 x 7/16" Dome Head Screw)                      |



| Illus. No. | Part No. | Qty | Description                             |
|------------|----------|-----|---|
| 1          | 152013   | 2   | # 6-32 Hex Nut                          |
| 2          | 153008   | 2   | # 6 Split Lock Washer                   |
| 3          | 137005   | 1   | Single Pole Door Switch                 |
| 4          | 121028   | 2   | Insulated Female Terminal               |
| 5          | 154281   | 2   | 3/8" Standard Nylon Spacers             |
| 6          | 800448   | 1   | 12 1/2" Stainless Steel Main Door Hinge |
| 7          | 153565   | 2   | # 6 Stud                                |
| 8          | 313218   | 1   | AD-630 Main Door Switch Housing         |
| 9          | 150201   | 2   | # 10-32 x 1/4" Phillips Pan Head Screw  |
| 10         | 121405   | 1   | Rubber Grommet                          |



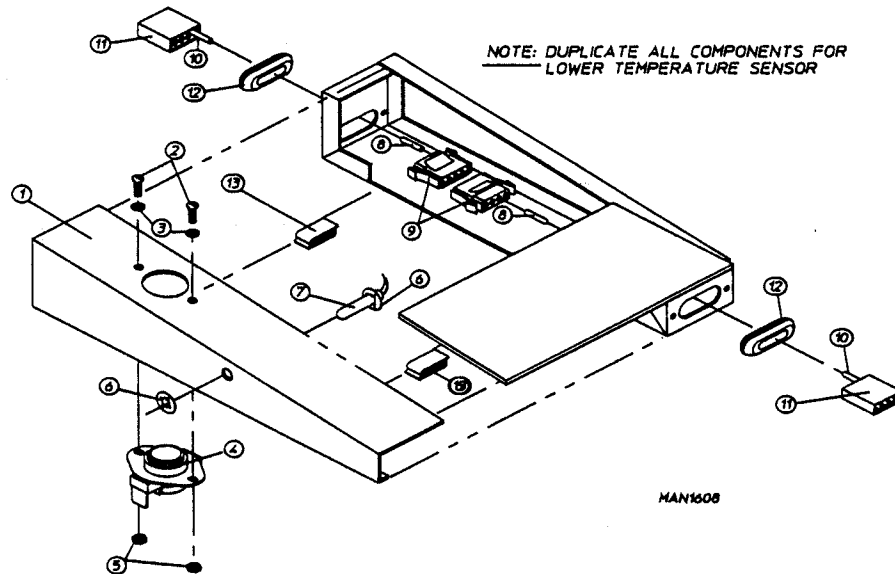
| Illus. No. | Part No. | Qty. | Description   |
|------------|----------|------|---|
| 1          | 800832   | 1    | AD-630 Basket Support Assembly Complete with Felt Collars (includes illus. # 1 - 11 & 13)                     |
|            | 800892   | 1    | AD-630 Stainless Steel Basket and Support Assembly Complete with Felt Collars (includes illus. # 1 - 11 & 13) |
|            | 800722   | 1    | AD-630 Basket Only without Felt Collars (includes illus. # 1 - 3)   |
|            | 800842   | 1    | AD-630 Stainless Steel Basket Only without Felt Collars (includes illus. # 1 - 3)                             |
| 2          | 150415   | 30   | # 10-16 x 1/2" Phillips Round Head Crimptite Screw  |
| 3          | 301315   | 2    | AD-630 Short Basket Rib   |
|            | 301316   | 1    | AD-630 Tall Basket Rib  |
|            | 301414   | 2    | AD-630 Stainless Steel Short Basket Rib   |
|            | 301415   | 1    | AD-630 Stainless Steel Tall Basket Rib  |
| 4          | 150518   | 1    | 5/16-18 x 3/8" Socket Button Head Screw   |
| 5          | 100902   | 3    | 5/16-18 x 31" Tie Rod   |
| 6          | 153001   | 3    | 5/16" Flat Washer   |
| 7          | 850061   | 1    | AD-630 Basket Support Only  |
| 8          | 152004   | 3    | 5/16-18 Hex Nut   |
| 9          | 153002   | 3    | 5/16" Lock Washer   |
| 10         | 153001   | 3    | 5/16" Flat Washer   |
|            | 116003   | 1    | Front Felt Collar   |
| 11         | 401010   | 1    | # 847 Adhesive for Felt Collar (5 oz. Tube)   |
|            | 100130   | 1    | 12-Rib 95" Belt   |
| 13         | 115992   | 1    | Felt Collar   |
|            | 170730   | 1    | Cartridge (10.3 oz.) of Silicone Adhesive   |

TUMBLER BRUSH ASSEMBLY

NOTE: DUPLICATE ALL COMPONENTS FOR  
LOWER TUMBLER BRUSH ASSEMBLY

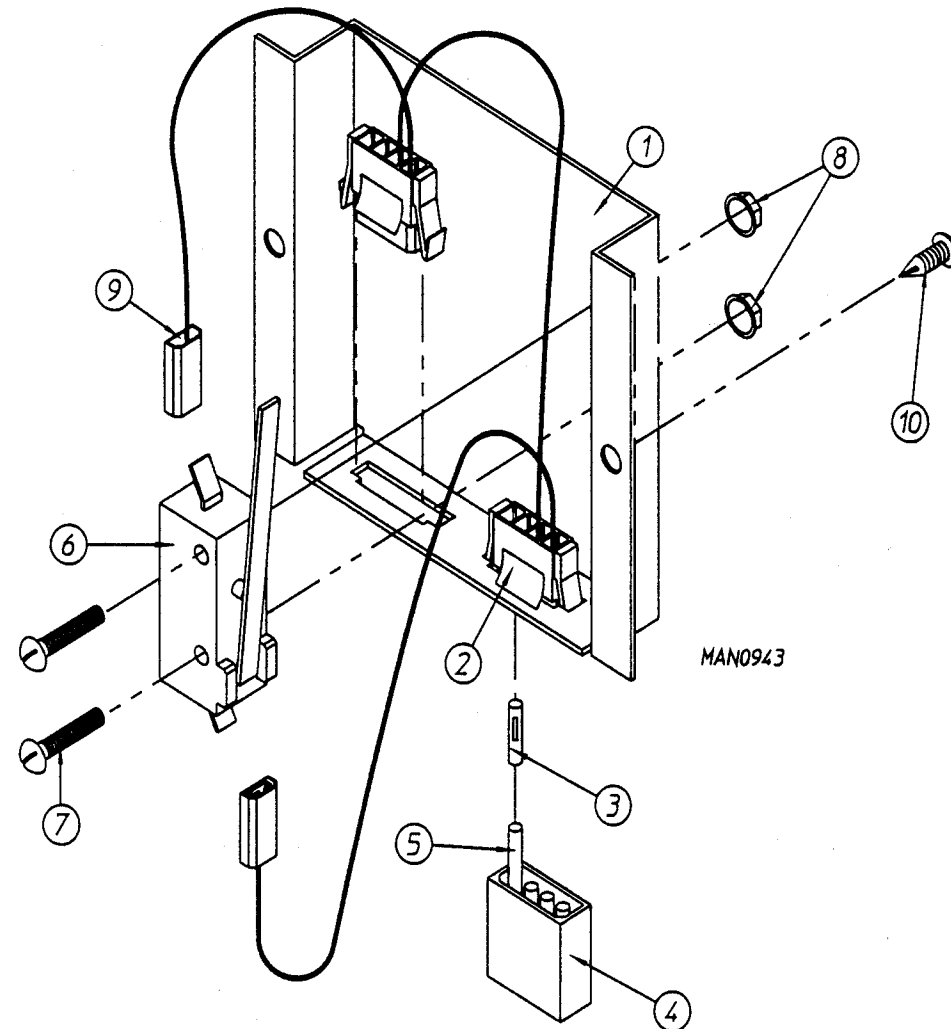
| Illus. No. | Part No. | Qty. | Description                                 |
|------------|----------|------|---|
| 1          | 170198   | 2    | AD-630 Drive Belt Sealing Brush             |
| 2          | 317656   | 2    | AD-630 Sealing Brush Clip End               |
| 3          | 154210   | 6    | 5/32" x 3/16" Pop Rivet                     |
| 4          | 120117   | 2    | 3/8" EMT Hanger                             |
| 5          | 317651   | 1    | AD-630 Wrapper Gasket Strip                 |
| 6          | 102325   | 1    | 8 1/2" x 1 1/2" x 1/8" Wrapper Gasket Strip |
| 7          | 154210   | 2    | 5/32" x 3/16" Pop Rivet                     |
| 8          | 100130   | 1    | 12-Rib 95" Belt                             |

UPPER TEMPERATURE SENSOR

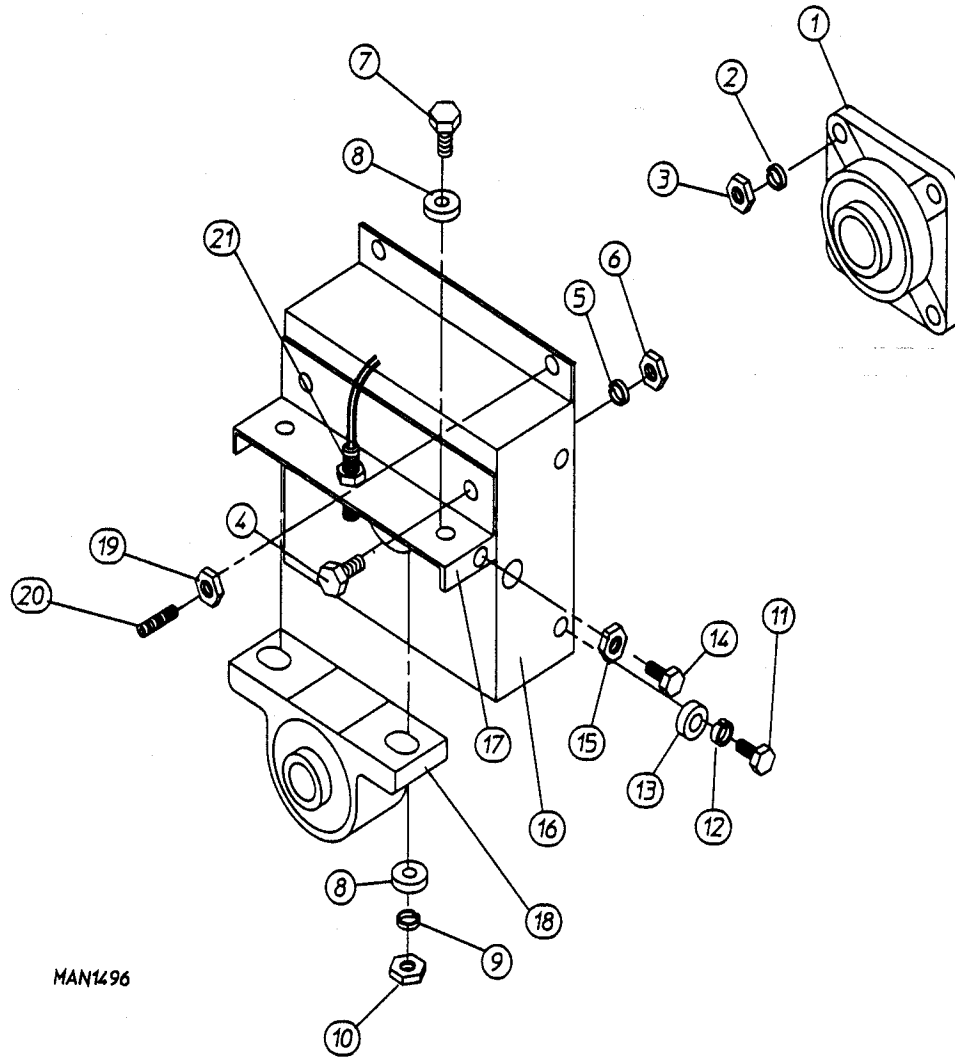


| Illus. No. | Part No. | Qty | Description   |
|------------|----------|-----|---|
| 1          | 881157   | 1   | AD-630 Temperature Sensor Bracket Assembly Complete<br>(includes illus. # 1 - 9, 12 ) |
|            | 881156   | 1   | AD-630 Temperature Sensor Bracket Only  |
| 2          | 150000   | 2   | # 6-32 x 1/4" Round Head Machine Screw  |
| 3          | 153010   | 2   | # 6 Star Washer   |
| 4          | 130106   | 1   | 170° Large Thermostat   |
| 5          | 152013   | 2   | # 6-32 Hex Nut  |
| 6          | 154007   | 2   | 1/4" Tinnerman Push-on Fastener   |
| 7          | 880111   | 1   | DMC 1/4" Temperature Sensor Probe Assembly<br>(includes illus. # 6 - 9)               |
| 8          | 122701   | 8   | Socket Connector Only   |
| 9          | 122670   | 2   | 4-Pin Socket Connector Only   |
| 10         | 122700   | 8   | Pin Terminal Only   |
| 11         | 122604   | 2   | 4-Pin Socket Connector  |
|            | 122801   | 1   | Pin/Socket Extraction Tool  |
| 12         | 121405   | 2   | Rubber Grommet  |
| 13         | 154060   | 2   | Tinnerman "S" Clip  |



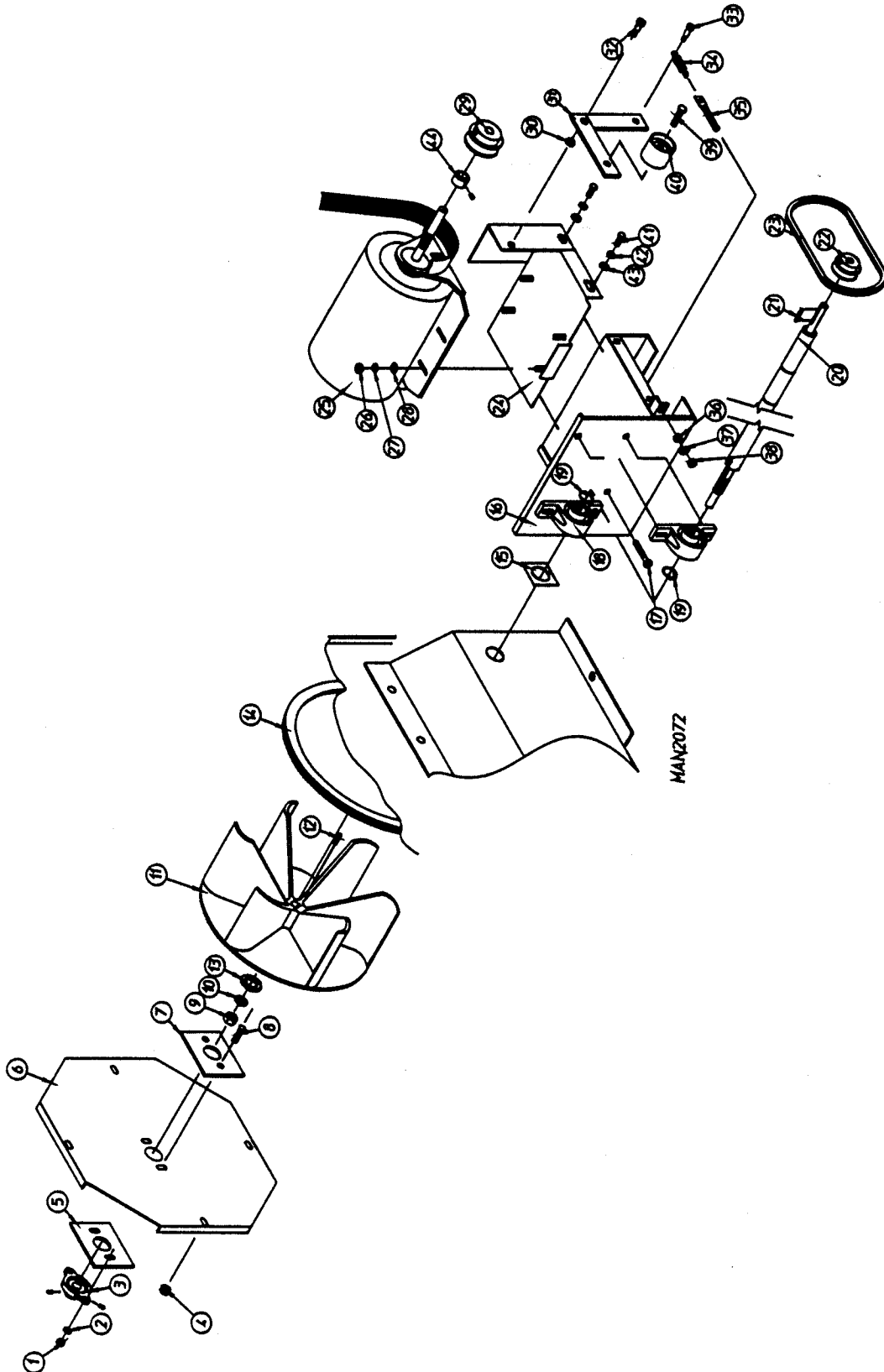


| Illus No. | Part No. | Qty. | Description                                    |
|-----------|----------|------|--|
| 1         | 304039   | 1    | AD-630 Switch Box Cover Lint Basket            |
| 2         | 122605   | 2    | 4-Pin Socket Connector Only                    |
| 3         | 122701   | 4    | Socket Terminal Only                           |
| 4         | 122604   | 2    | 4-Pin Connector Only                           |
| 5         | 122700   | 4    | Pin Terminal Only                              |
| 6         | 136998   | 1    | AD-630 Lint Drawer (Basket) Safety Switch Only |
| 7         | 150002   | 2    | # 6-32 x 1" Round Head Machine Screw           |
| 8         | 152013   | 2    | # 6-32 Hex Nut                                 |
| 9         | 824848   | 1    | AD-630 Lint Switch Bottom Harness              |
|           | 824849   | 1    | AD-630 Lint Switch Top Harness                 |
| 10        | 150301   | 2    | # 8-18 x 7/16" Phillips Pan Head TEK Screw     |
| -         | 122801   | 1    | Pin/Socket Extraction Tool                     |

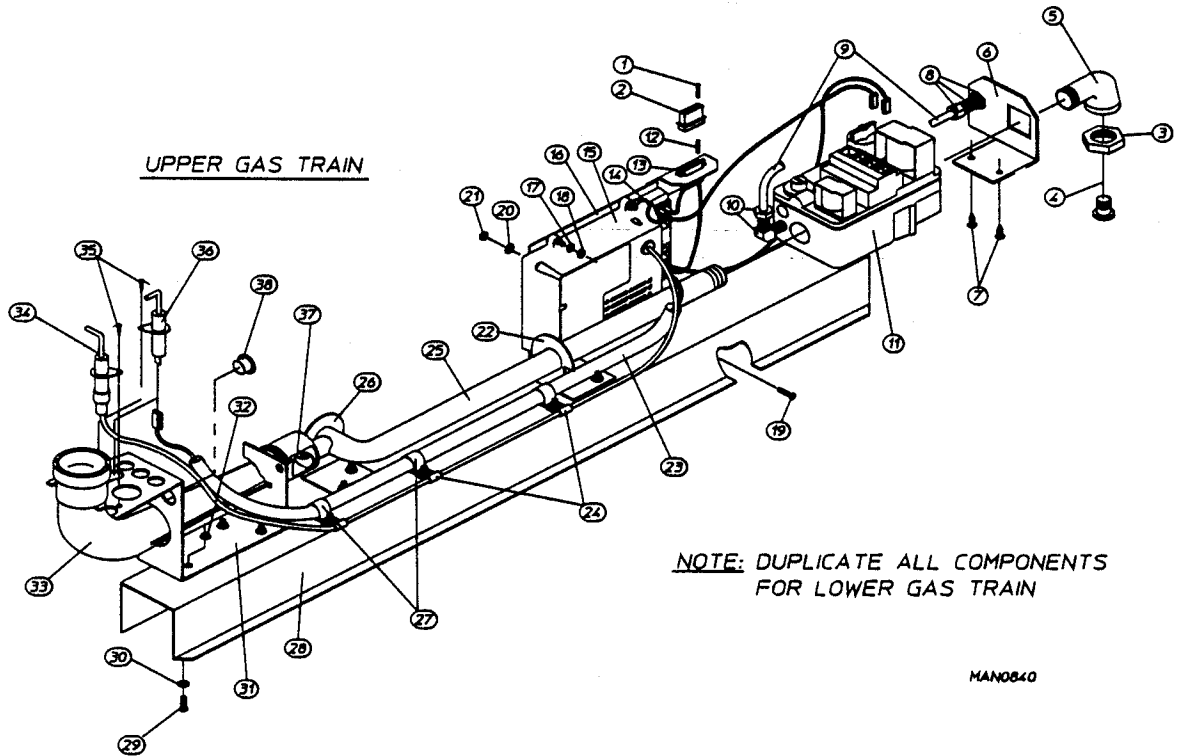


| Illus. No. | Part No. | Qty. | Description   |
|------------|----------|------|---|
| 1          | 100203   | 1    | 1 3/8" Flange Bearing   |
| 2          | 153005   | 4    | 3/8" Lock Washer  |
| 3          | 152005   | 4    | 3/8-16 Hex Nut  |
| 4          | 150508   | 2    | 3/8-16 x 3/4" Hex Head Machine Bolt   |
| 5          | 153005   | 2    | 3/8" Lock Washer  |
| 6          | 152005   | 2    | 3/8-16 Hex Nut  |
| 7          | 150600   | 2    | 3/8-16 x 1 1/2" Hex Head Machine Bolt   |
| 8          | 153004   | 2*   | 3/8" Flat Washer  |
| 9          | 153005   | 2    | 3/8" Lock Washer  |
| 10         | 152005   | 2    | 3/8-16 Hex Nut  |
| 11         | 150501   | 4    | 5/16-18 x 3/4" Hex Head Machine Bolt  |
| 12         | 153002   | 4    | 5/16" Lock Washer   |
| 13         | 153001   | 4    | 5/16" Flat Washer   |
| 14         | 150621   | 2    | 5/16-18 x 3/2" Hex Head Machine Bolt  |
| 15         | 152004   | 2    | 5/16-18 Hex Nut   |
| 16         | 801107   | 1    | 1 3/8" Bearing Box Assembly Complete (includes illus. # 4 - 21)                 |
|            | 801103   | 1    | 1 3/8" Bearing Box and Support Assembly Only<br>(includes illus. # 4 - 6,16,17) |
|            | 801105   | 1    | 1 3/8" Bearing Box Only   |
| 17         | 801104   | 1    | 1 3/8" Pillow Block Bearing Support Only  |
|            | 880779   | 1    | 1 3/8" Pillow Block Bearing Assembly with Magnet                                |
| 19         | 152004   | 2    | 5/16-18 Hex Nut   |
| 20         | 150610   | 2    | 5/16-18 x 1 1/2" Allen Set Screw  |
| 21         | 824807   | 1    | Rotational Sensor Assembly  |

\* Some models require a quantity of 4.

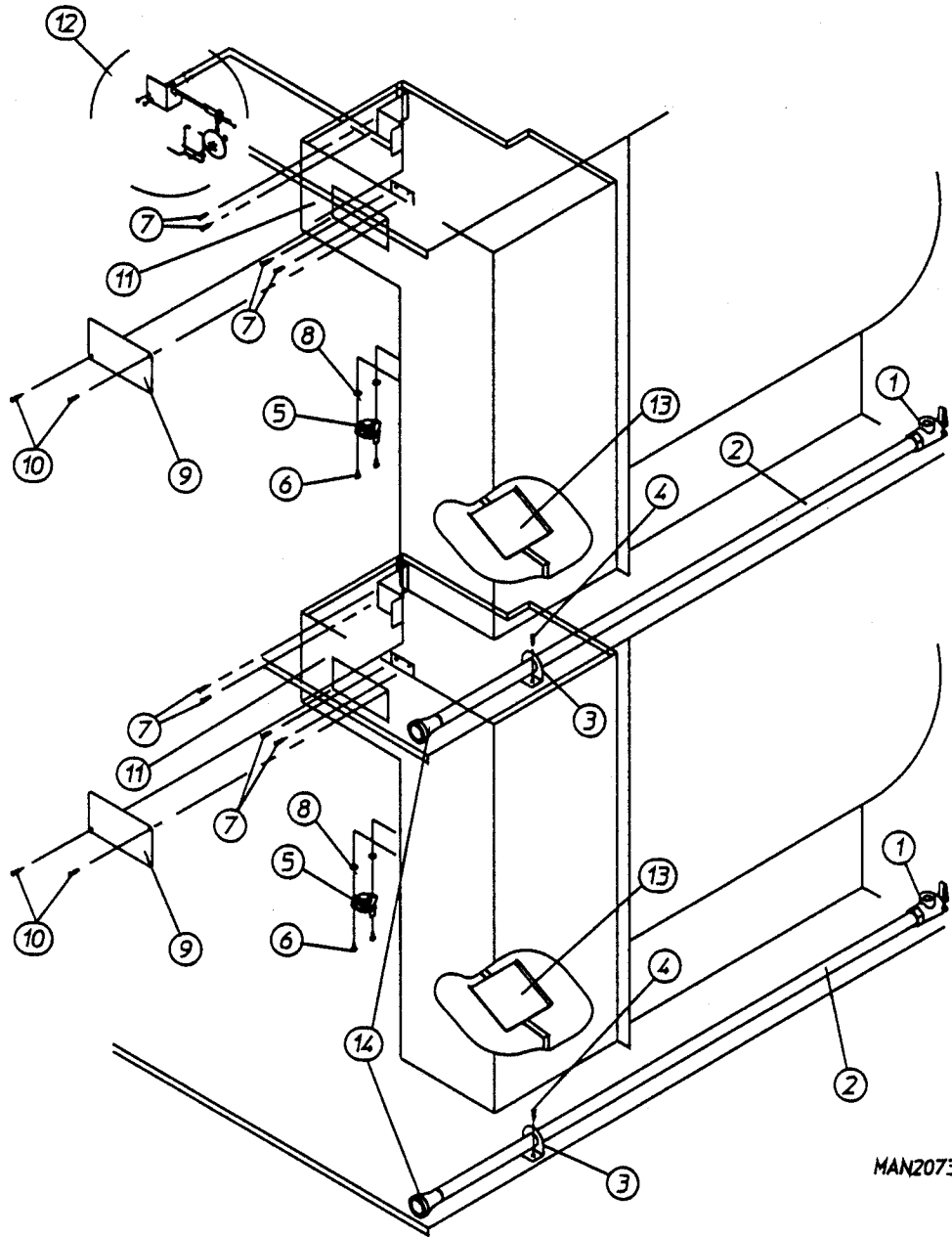


| Illus. No. | Part No. | Qty. | Description  |
|------------|----------|------|--|
| 1          | 152002   | 2    | 1/4-20 Hex Nut   |
| 2          | 153007   | 2    | 1/4" Lock Washer   |
| 3          | 100225   | 1    | 1/2" Flange Bearing with Nylon Patch Set Screw                             |
| 4          | 152014   | 4    | 1/4-20 Free Spin Wash Nut  |
| 5          | 116011   | 1    | AD-630 Bearing Felt Seal   |
| 6          | 880885   | 1    | Impellor Cover   |
| 7          | 850132   | 1    | AD-630 Bearing Back-up Plate<br>(include illus. # 7 - 8)                   |
|            | 852104   | 1    | AD-630 Bearing Back-up Plate Assembly<br>(includes illus. # 1 - 2,5,7 - 8) |
| 8          | 153535   | 2    | 1/4"-20 x 1" Self-Clinching Stud   |
| 9          | 152025   | 1    | 3/4-16 Jam Nut   |
| 10         | 153040   | 1    | 3/4" Lock Washer   |
| 11         | 100608   | 1    | 12 1/2" Impellor with 3/4" Bore (for 60 Hz Models)                         |
| 12         | 100705   | 1    | 3/16" x 3/16" x 1 3/8" Key   |
| 13         | 153051   | 1    | AD-630 Motor Washer  |
| 14         | 117600   | 3    | Noise Suppressor Tape (sold in feet)                                       |
| 15         | 116101   | 1    | AD-630 Felt Motor Seal Only  |
| 16         | 803995   | 1    | Motor Mount Only   |
| 17         | 150503   | 1    | 5/16-18 x 2" Hex Head Machine Bolt   |
| 18         | 880205   | 1    | 1" Pillow Block Bearing  |
| 19         | 100800   | 2    | 1" Retaining Ring  |
| 20         | 100308   | 1    | AD-630 High Speed Impellor Shaft   |
| 21         | 100701   | 1    | 3/16" x 3/16" x 1" Key   |
| 22         | 101130   | 1    | 5/8" x 2 1/2" Sheave   |
| 23         | 100153   | 1    | L421 GPL V-Belt  |
| 24         | 850159   | 1    | Motor Mount Plate Assembly   |
| 25         | 100026   | 1    | 1 1/2 HP, 115/230v, 1 Phase, 60 Hz Motor                                   |
| 26         | 152004   | 4    | 5/16"-18 Hex Nut   |
| 27         | 153002   | 4    | 5/16" Lock Washer  |
| 28         | 153001   | 4    | 5/16" Flat Washer  |
| 29         | 101179   | 1    | 1/2" x 4" Dia. Sheave  |
| 30         | 121350   | 1    | 13/32" x 3/8" Bronze Bushing   |
| 31         | 850129   | 1    | Idler Arm Assembly   |
| 32         | 154277   | 1    | 5/16" x 3/8" Shoulder Bolt   |
| 33         | 154276   | 1    | 1/4-20 x 5/8" Shoulder Bolt  |
| 34         | 157010   | 1    | 1 7/8" Extension Spring  |
| 35         | 154275   | 1    | 3/8-16 x 3/8" Spade Bolt   |
| 36         | 152005   | 1    | 3/8"-16 Hex Nut  |
| 37         | 153005   | 1    | 3/8" Lock Washer   |
| 38         | 152005   | 1    | 3/8"-16 Hex Nut  |
| 39         | 150600   | 1    | 3/8-16 x 1 1/2" Hex Bolt   |
| 40         | 100250   | 1    | Backside Idler Assembly  |
| 41         | 150501   | 2    | 5/16-18 x 3/4" Hex Head Machine Bolt                                       |
| 42         | 153002   | 2    | 5/16" Lock Washer  |
| 43         | 153001   | 2    | 5/16" Flat Washer  |



| Illus. No. | Part No. | Qty. | Description  |
|------------|----------|------|--|
| 1          | 122700   | 2    | Pin Terminal Only  |
| 2          | 122604   | 1    | 4-Pin Connector Only   |
| 3          | 141325   | 1    | Tail Piece Collar Only   |
| 4          | 141303   | 1    | 1/2" Union Tail Piece Only   |
| 5          | 142506   | 1    | 1/2" x 1/2" Street Elbow   |
| 6          | 318702   | 1    | Gas Pipe Bracket   |
| 7          | 150301   | 2    | # 8-18 x 7/16" Phillips Pan Head TEK Screw   |
| 8          | 143259   | 1    | Bulkhead Fitting   |
| 9          | 143100   | 1    | 1/4" Aluminum Tubing (sold in feet)  |
| 10         | 143203   | 1    | 90° Line Adapter   |
| 11         | 128927   | 1    | 1/2" 24VAC DSI Redundant (natural gas) Valve   |
|            | 140411   | 1    | DSI L.P. (gas valve) Conversion Kit  |
| 12         | 122701   | 2    | Socket Terminal Only   |
| 13         | 122605   | 1    | 4-Pin Socket Connector Only  |
|            | 122801   | 1    | Pin/Socket Extraction Tool   |
| 14         | 842716   | 1    | AD-630 Gas Valve Train Ground Wiring (top gas train)   |
|            | 842724   | 1    | AD-630 Gas Valve Train Ground Wiring (bottom gas train)  |
| 15         | 880815   | 1    | DSI Module Only  |
| 16         | 850808   | 1    | DSI Module Mounting Bracket Only   |
| 17         | 153017   | 4    | # 6 Star Washer  |
| 18         | 151000   | 4    | # 6-32 Pal Nut   |
| 19         | 153528   | 2    | # 8-32 x 1/2" Self Clinching Stud  |
| 20         | 153012   | 2    | # 8 Star Washer  |
| 21         | 152001   | 2    | # 8-32 Hex Nut   |
| 22         | 318711   | 1    | Notched Pipe Bracket   |
| 23         | 121060   | 4    | 5/8" Clear Flexite   |
| 24         | 121492   | 3    | 3/16" Nylon Clamp  |
| 25         | 141225   | 1    | AD-630 Single-Port Manifold Only   |
| 26         | 318700   | 1    | Pipe Bracket   |
| 27         | 121491   | 3    | 5/8" Nylon Clamp   |
| 28         | 801020   | 1    | AD-630 (natural gas) Gas Valve Train Assembly Complete Less Orifice<br>(includes illus. # 3 - 36 and 38) |
|            | 319522   | 1    | AD-630 Gas Valve Train Slide Assembly  |
| 29         | 153528   | 9    | # 8-32 x 1/2" Self-Clinching Stud  |
| 30         | 153012   | 16   | # 8 Star Washer  |
| 31         | 318009   | 1    | AD-630 Burner Tube Bracket (PSE)   |
| 32         | 151001   | 8    | # 8-32 Pal Nut   |
| 33         | 809305   | 1    | DSI Up-Shot Burner Assembly Only   |
| 34         | 128917   | 1    | Spark Electrode  |
| 35         | 150315   | 2    | # 6 x 3/8" Phillips  |
| 36         | 128918   | 1    | Flame Sensor   |
| 37         | 140835*  | 1    | # 9 Burner Orifice   |
|            | 140810*  | 1    | # 33 Burner Orifice  |
| 38         | 121300   | 2    | Open/Closed Bushing  |
| --         | 880931*  | 1    | L.P Conversion Kit   |

\* Consult Factory For Elevations Over 2,000 Feet

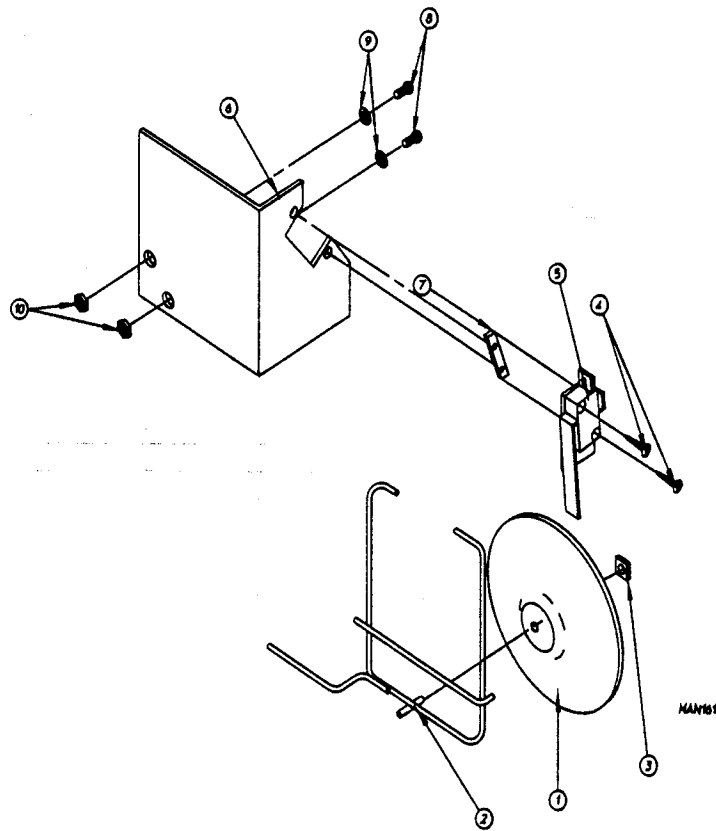


MAN2073



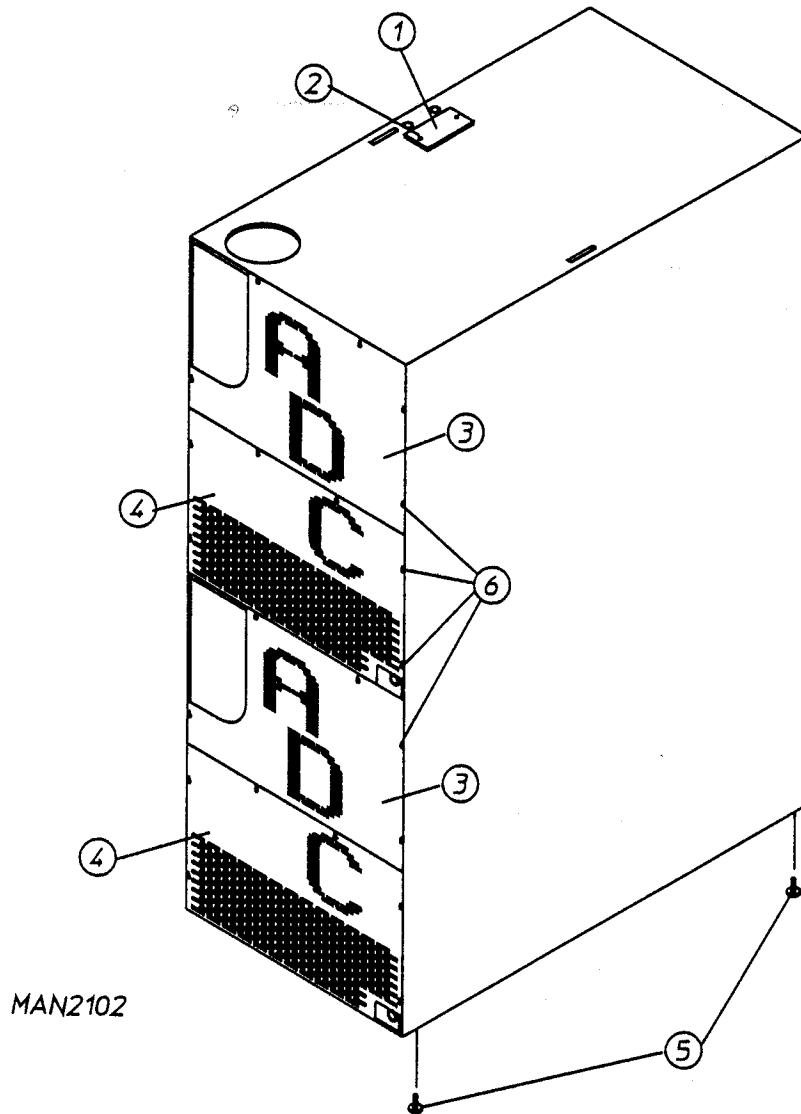
| Illus. No. | Part No. | Qty. | Description                                |
|------------|----------|------|--|
| 1          | 141305   | 1    | Union Shut-off Body Only                   |
| 2          | 142085   | 1    | 1/2" x 3/4" Pipe                           |
| 3          | 318700   | 1    | Pipe Bracket                               |
| 4          | 150300   | 2    | # 10-32 x 1/2" Hex Washer TEK Screw        |
| 5          | 130401   | 1    | 330° HI-Limit                              |
| 6          | 150300   | 2    | # 10-32 x 1/2" Hex Washer TEK Screw        |
| 7          | 150301   | 8    | # 8-18 x 7/16" Phillips Pan Head TEK Screw |
| 8          | 153002   | 2    | 5/16" Split Lock Washer Plated             |
| 9          | 318065   | 2    | Burner Box Clean Out Cover                 |
| 10         | 150300   | 4    | # 10-32 x 1/2" Hex Washer TEK Screw        |
| 11         | 881127   | 2    | Burner Box Without Flame Spreader          |
| 12         | —        | —    | Sail Switch Assembly (see page 31)         |
| 13         | 881125   | 2    | AD-630 Flame Spreader                      |

SAIL SWITCH ASSEMBLY

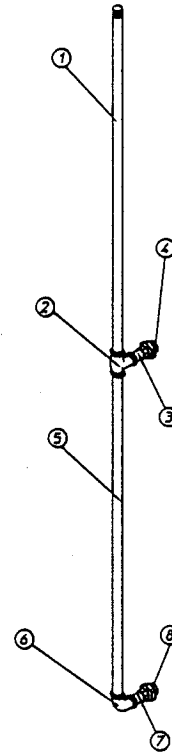
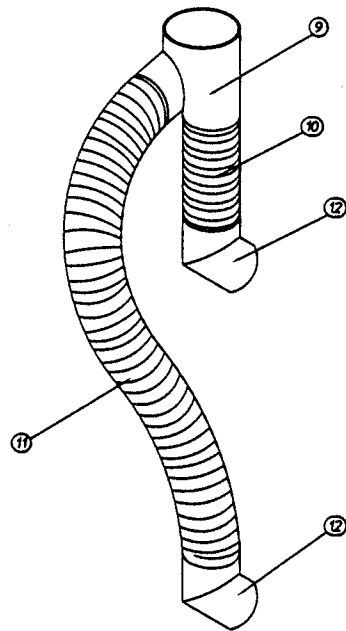


NOTE: DUPLICATE ALL COMPONENTS  
FOR LOWER SAIL SWITCH ASSEMBLY

| Illus. No. | Part No. | Qty. | Description  |
|------------|----------|------|--|
| 1          | 319206   | 1    | Sail Switch Damper (embossed)  |
|            | 802805   | 1    | AD-630 Sail Switch Rod and Damper Assembly<br>(includes illus. # 1,2, and 3) |
| 2          | 105550   | 1    | AD-630 Sail Switch Rod   |
| 3          | 154002   | 1    | 1/8" Push-On Fastener  |
| 4          | 150303   | 2    | # 4 x 3/4" Pan Head "A" Machine Screw  |
| 5          | 122200   | 1    | Sail Switch  |
|            | 802807   | 1    | AD-630 Sail Switch Bracket Assembly<br>(includes illus. # 4 - 7)             |
| 6          | 319208   | 1    | AD-630 Sail Switch Bracket   |
| 7          | 154004   | 1    | Twin Speed Nut   |
| 8          | 150001   | 2    | # 6-32 x 1/2" Round Head Machine Screw                                       |
| 9          | 153010   | 2    | # 6 Star Washer  |
| 10         | 152000   | 2    | # 6-32 Hex Nut   |



| Illus. No. | Part No. | Qty. | Description                                |
|------------|----------|------|--|
| 1          | 315014   | 1    | Top Electric Box Cover Plate               |
| 2          | 150301   | 2    | # 8-18 x 7/16" Phillips Pan Head TEK Screw |
| 3          | 314404   | 1    | AD-630 Top and Bottom Upper Guard          |
| 4          | 314405   | 1    | AD-630 Top and Bottom Lower Guard          |
| 5          | 103500   | 4    | Adjustable Leveling Leg                    |
| 6          | 150301   | 22   | # 8-18 x 7/16" Phillips Pan Head TEK Screw |



MAN1516

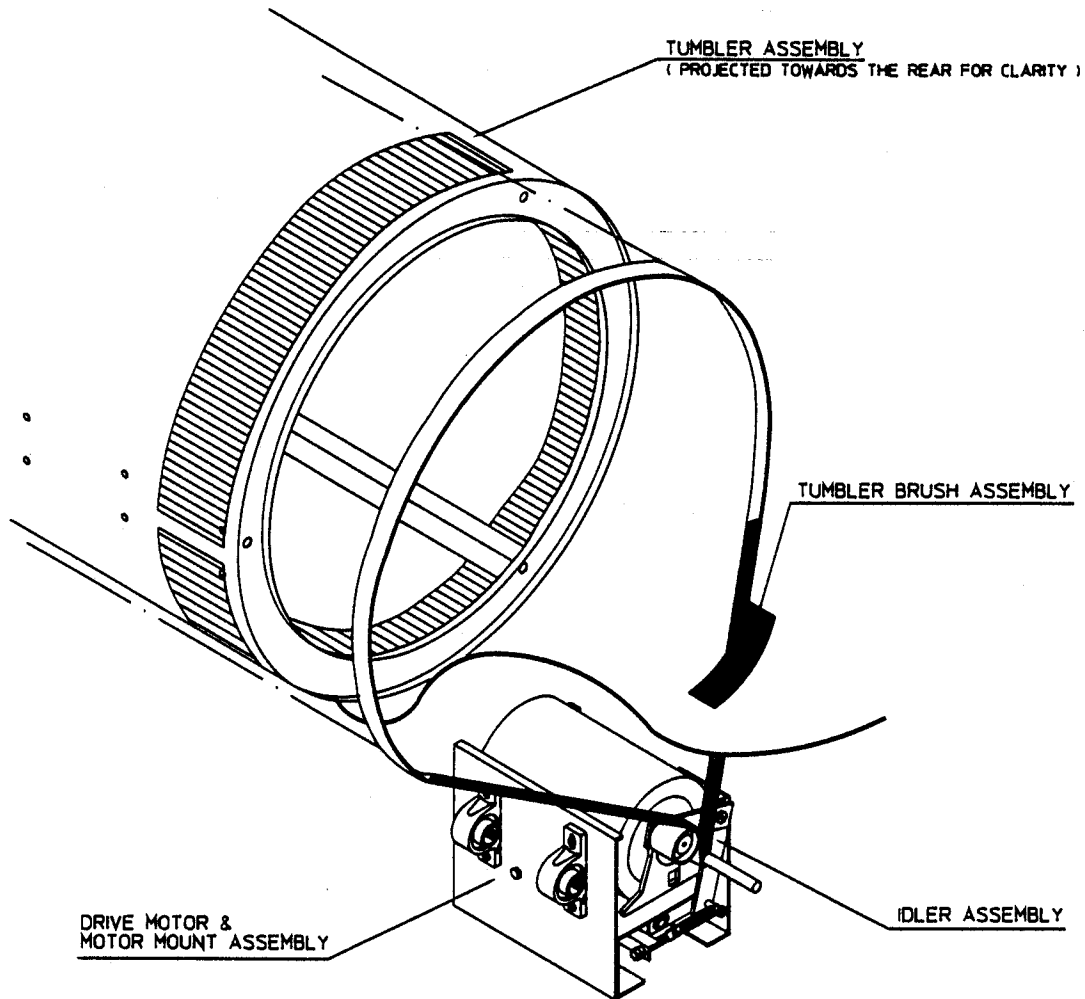
**AD-630 Optional Gas Piping Kit**

| Illus. No. | Part No. | Qty. | Description  |
|------------|----------|------|--|
| -          | 880128   | 1    | AD-630 Gas Piping Kit<br>(includes illus. # 1 - 8) |
| 1          | 142821   | 1    | 3/4" x 36" Pipe                                    |
| 2          | 142505   | 1    | 3/4" x 1/2" x 1/2" Tee                             |
| 3          | 142814   | 1    | 1/2" x 2 1/2" Nipple                               |
| 4          | 142600   | 1    | 1/2" Union   |
| 5          | 142824   | 1    | 1/2" x 37 1/4" Pipe                                |
| 6          | 142500   | 1    | 1/2" x 90° Elbow                                   |
| 7          | 142814   | 1    | 1/2" x 2 1/2" Nipple                               |
| 8          | 142600   | 1    | 1/2" Union   |

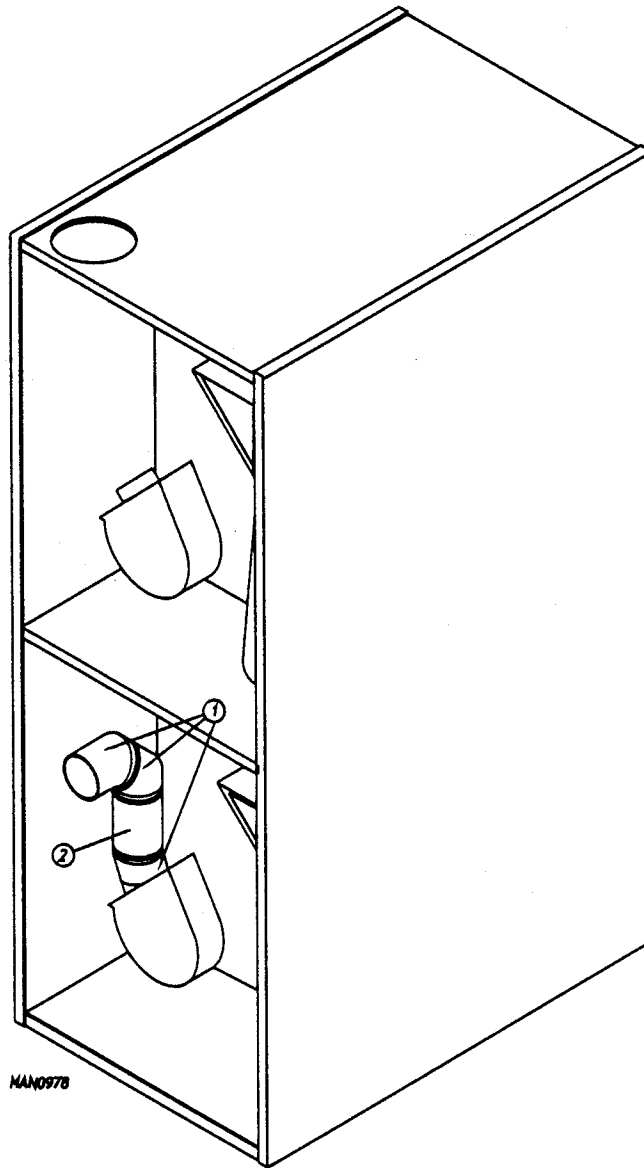
**AD-630 Optional Exhaust Ducting Kit**

|    |         |    |  |
|----|---------|----|--|
| -  | 880127  | 1  | AD-630 Exhaust Ducting Kit<br>(includes illus. # 9 - 12) |
| 9  | 143535  | 1  | 8" x 6" x 6" Wye Branch Duct                             |
| 10 | 143519  | 1  | 6" Round x 4' Long Flexible Exhaust Duct                 |
| 11 | 143509  | 1  | 6" Round x 8' Long Flexible Exhaust Duct                 |
| 12 | 143536  | 2  | 6" Round x 45° Elbow                                     |
| -- | 150300* | 12 | # 10-32 x 1/2" Hex Washer TEK Screw                      |
| -- | 117505* | 12 | Aluminum Duct Tape (sold in feet)                        |

\* Included with Exhaust Ducting Kit (p/n: 880127)



MAN2071



NOTE: Duplicate all components for top tumbler

---

| Illus. No. | Part No. | Qty. | Description                       |
|------------|----------|------|-----------------------------------|
| 1          | 143536   | 3    | 6" Round x 45° Elbow              |
| 2          | 143545   | 1    | 6" Round x 6" Long Duct           |
| -          | 117505*  | 5    | Aluminum Duct Tape (sold in feet) |

\* Tape All Joints

| Part No. | Description                           |
|----------|---------------------------------------|
| 112027   | "Water Washed Fabrics" Label          |
| 112039   | "Black/White/Green Ground" Label      |
| 112040   | "Lint Compartment" Label              |
| 112041   | "Caution-Exhausted" Label             |
| 112530   | "Program Location Summary" Coin Label |
| 120100   | 3/8" Straight (BX) Connector          |
| 120300   | 3/8" x 45° (BX) Connector             |
| 120400   | 3/8" Red Jacket (BX) Insulator        |
| 120500   | 3/8" Jiffy Clip (BX Retainer Clip)    |
| 120600   | 3/8" GreenField (BX)                  |
| 120800   | 1/4" In-Line Connector                |
| 120802   | Red Butt Connector                    |
| 120903   | # 74B Wire Nut                        |
| 121014   | Crimp-on Wire Nut                     |
| 121499   | 4" Harness Tie                        |
| 121500   | 7" Harness Tie                        |
| 121503   | Harness Tie Mounting Clip             |
| 122804   | Water column test gauge               |

ADC 450143 1 - 09/26/94-100 2 - 02/24/98-25





## Free Manuals Download Website

<http://myh66.com>

<http://usermanuals.us>

<http://www.somanuals.com>

<http://www.4manuals.cc>

<http://www.manual-lib.com>

<http://www.404manual.com>

<http://www.luxmanual.com>

<http://aubethermostatmanual.com>

Golf course search by state

<http://golfingnear.com>

Email search by domain

<http://emailbydomain.com>

Auto manuals search

<http://auto.somanuals.com>

TV manuals search

<http://tv.somanuals.com>