

DYNAMIC ENGINEERING

435 Park Dr., Ben Lomond, Calif. 95005
831-336-8891 Fax 831-336-3840
sales@dyneng.com
www.dyneng.com
Est. 1988

User Manual

PMC-4U-CACI

Quad UART - Dual Synchronous Serial Data Interface PMC Module

Revision OR
Corresponding Hardware: Revision O1

PMC-4U
Quad UART - Dual Synchronous
Serial Data Interface
PMC Module

Dynamic Engineering
435 Park Drive
Ben Lomond, CA 95005
831-336-8891
831-336-3840 FAX

This document contains information of proprietary interest to Dynamic Engineering. It has been supplied in confidence and the recipient, by accepting this material, agrees that the subject matter will not be copied or reproduced, in whole or in part, nor its contents revealed in any manner or to any person except to meet the purpose for which it was delivered.

Dynamic Engineering has made every effort to ensure that this manual is accurate and complete. Still, the company reserves the right to make improvements or changes in the product described in this document at any time and without notice. Furthermore, Dynamic Engineering assumes no liability arising out of the application or use of the device described herein.

The electronic equipment described herein generates, uses, and can radiate radio frequency energy. Operation of this equipment in a residential area is likely to cause radio interference, in which case the user, at his own expense, will be required to take whatever measures may be required to correct the interference.

Dynamic Engineering's products are not authorized for use as critical components in life support devices or systems without the express written approval of the president of Dynamic Engineering.

This product has been designed to operate with PMC Module carriers and compatible user-provided equipment. Connection of incompatible hardware is likely to cause serious damage.

©2001 by Dynamic Engineering.

Trademarks and registered trademarks are owned by their respective manufactures.
Manual Revision DR. Revised July 2, 2001.



Table of Contents

PRODUCT DESCRIPTION	6
THEORY OF OPERATION	9
ADDRESS MAP	10
PROGRAMMING	12
REGISTER DEFINITIONS	13
PMC4U_BASE	13
PMC4U_STAT	16
PMC4U_MSK	16
PMC4U_SCC_IVEC	17
PMC4U_DIR_TERM	17
PMC4U_SW_IN	18
PMC4U_SCC_A_CNTL	19
PMC4U_SCC_A_DATA	19
PMC4U_SCC_B_CNTL	19
PMC4U_SCC_B_DATA	19
PMC4U_UART_A	20
PMC4U_UART_B	20
PMC4U_UART_C	20
PMC4U_UART_D	20
PMC4U_IRUPT/PMC4U_IRUPT_CLR	21
Interrupts	22
Loop-back	23
PMC PCI PN1 INTERFACE PIN ASSIGNMENT	24
PMC PCI PN2 INTERFACE PIN ASSIGNMENT	25
PMC-4U FRONT PANEL IO PIN ASSIGNMENT	26
PMC PN4 USER INTERFACE PIN ASSIGNMENT	27
APPLICATIONS GUIDE	28



Interfacing	28
CONSTRUCTION AND RELIABILITY	29
THERMAL CONSIDERATIONS	29
WARRANTY AND REPAIR	30
SERVICE POLICY	31
OUT OF WARRANTY REPAIRS	31
FOR SERVICE CONTACT:	31
SPECIFICATIONS	32
ORDER INFORMATION	33
SCHEMATICS	33



List of Figures

FIGURE 1	PMC-4U BLOCK DIAGRAM	6
FIGURE 2	PMC-4U INTERNAL ADDRESS MAP	10
FIGURE 3	PMC-4U UART ADDRESS MAP	11
FIGURE 4	PMC-4U BASE CONTROL REGISTER BIT MAP	13
FIGURE 5	PMC-4U TX CONTROL REGISTER BIT MAP	16
FIGURE 6	PMC-4U INTERRUPT MASK REGISTER BIT MAP	16
FIGURE 7	PMC-4U DIRECTION TERMINATION CONTROL BIT MAP	17
FIGURE 8	PMC-4U SWITCH READ BIT MAP	18
FIGURE 9	PMC-4U INTERRUPT STATUS/CLEAR	21
FIGURE 10	PMC-4U PN1 INTERFACE	24
FIGURE 11	PMC-4U PN2 INTERFACE	25
FIGURE 12	PMC-4U FRONT PANEL INTERFACE	26
FIGURE 13	PMC-4U PN4 INTERFACE	27

Product Description

PMC-4U-CACI is part of the PMC Module family of modular I/O components by Dynamic Engineering. The PMC-4U is capable of providing multiple serial protocols both synchronous and asynchronous with a wide range of baud rates. The CACI interface uses an RS-423 driver, an RS-422 driver, and an RS-422 receiver for each UART channel. Two enhanced hysteresis MIL STD 188-114A receivers, a MIL STD 188-114A driver, and an open drain active low output driver for one synchronous channel and an RS-422 driver and receiver for the other synchronous channel.

Other variations are possible. Different oscillators can be installed, or other modifications can be made to accommodate your particular requirements. That variation will then be offered as a "standard" special order product. Please see our web page for current products offered and contact Dynamic Engineering with your custom application.

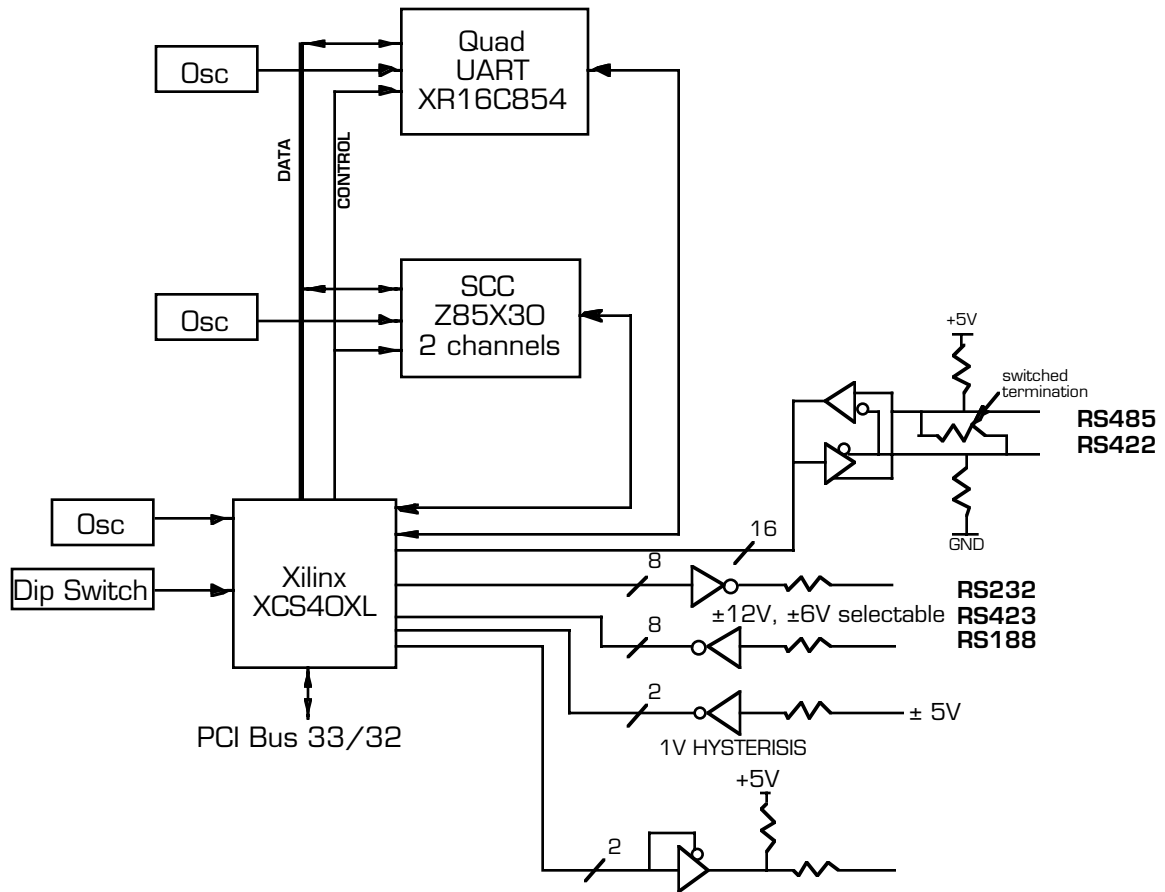


FIGURE 1

PMC-4U BLOCK DIAGRAM



An EXAR XR16C854 implements the UART interface. This quad UART device is compatible with the industry standard 16550 UART, but is equipped with 128 byte FIFOs, independent Tx and Rx FIFO counters, automatic hardware/software flow control, and many other enhanced features. An 18.432 MHz oscillator supplies the reference clock for this device allowing baud rates up to 1.152 Mbps.

The synchronous interface uses a Zilog Serial Communication Controller, the Z85C30. This dual channel, multi-protocol device can implement various bit-oriented and byte-oriented synchronous protocols such as HDLC and IBM Bisync and handles asynchronous formats as well.

The PMC-4U also has a wide range of IO drivers and receivers to interface with these two devices. There are 16 differential RS422/485 transceivers that can be configured as either receivers or transmitters, eight single-ended RS188/232/423 drivers operating at selectable voltage levels, and eight single-ended receivers capable of up to +/- 25V input range. There are also two enhanced hysteresis (~1.5V) RS423 receivers for handling noisy input signals and two open drain outputs that sink up to 65 mA. The differential input signals are selectively terminated with switched 150Ω terminations. All IO lines have series 33Ω resistors for circuit protection.

The UART, SCC, and IO lines all interface through the Xilinx FPGA to allow maximum flexibility of connections. All configuration registers internal to the Xilinx support read and write operations for software convenience. All addresses are long word aligned including the UART and SCC internal registers even though they have only a byte-wide data interface. Please see the XR16C854 and Z85C30 data sheets and user's manuals for more information on register access and functions.

The PMC-4U conforms to the PMC and CMC draft standards. This guarantees compatibility with multiple PMC Carrier boards. Because the PMC may be mounted on different form factors, while maintaining plug and software compatibility, system prototyping may be done on one PMC Carrier board, with final system implementation on a different one.

PMC-4U uses a 10 mm inter-board spacing for the front panel, standoffs, and PMC connectors. The 10 mm height is the "standard" height and will work in most systems with most carriers. If your carrier has non-standard connectors [height] to mate with the PMC-4U, please let us know. We may be able to do a special build with a different height connector to compensate.

Interrupts are supported by the PMC-4U. Each of the four UARTs and the SCC has a maskable input to the interrupt generation logic in the Xilinx.



There is also a master interrupt enable that can be set to gate the interrupt onto the PCI bus. The interrupt status is still available in a status register even when the master interrupt enable is off. This facilitates polled operation of interrupt conditions. The individual interrupt conditions are specified in the internal registers of the UART and SCC. Please see the XR16C854 and Z85C30 documentation for more information on interrupt conditions and configuration.



Theory of Operation

The PMC-4U is designed for transferring data from one point to another with a variety of serial protocols.

The PMC-4U features a Xilinx FPGA. The FPGA contains the general control and status registers as well as the interface to the quad UART, SCC, and IO drivers and receivers. Many additional control and status registers reside in the UART and SCC, which are accessed through the Xilinx interface.

The PMC-4U is a part of the PMC Module family of modular I/O products. It meets the PMC and CMC draft Standards. Contact Dynamic Engineering for a copy of this specification. It is assumed that the reader is at least casually familiar with this document and logic design. In standard configuration, the PMC-4U is a Type 1 mechanical with no components on the back of the board and one slot wide, with 10 mm inter-board height.

The PCI interface to the host CPU is controlled by a logic block within the Xilinx. The PMC-4U design requires one wait state for read or write cycles to addresses other than the SCC and UART which require from three for simple read or write operations to nine for the SCC interrupt acknowledge/vector read cycle. The wait states refer to the number of clocks after the PCI core decode before the "terminate with data" state is reached. Two additional clock periods account for the 1 clock delay to decode the signals from the PCI bus and to convert the terminate with data state into the TRDY signal.

The quad UART and dual Serial Communication Controller can handle multiple asynchronous and synchronous protocols and the IO drivers and receivers support a range of electrical interface standards.

Each of the serial interfaces has its own oscillator and on-board baud rate generator to supply a wide range of clock reference frequencies. The SCC can also operate from external clock sources with separate Rx clock input and Tx clock input/output pins for each channel.

Please refer to the XR16C854 and Z85C30 documentation for more information on the operation and capabilities of these devices.



Address Map

REGISTER	OFFSET	FUNCTION	TYPE
PMC4U_BASE	0X00	base control	read/write
PMC4U_STAT	0X04	status read	read
PMC4U_MSK	0X08	interrupt mask control	read/write
PMC4U_SCC_IVEC	0X0C	SCC interrupt vector read	read
PMC4U_DIR_TERM	0X10	direction and termination control	read/write
PMC4U_SW_IN	0X14	read user switch	read
PMC4U_SCC_A_CNTL	0X18	SCC channel A control	read/write
PMC4U_SCC_A_DATA	0X1C	SCC channel A data	read/write
PMC4U_SCC_B_CNTL	0X20	SCC channel B control	read/write
PMC4U_SCC_B_DATA	0X24	SCC channel B data	read/write
PMC4U_UART_A	0X40	UART A base offset	read/write
PMC4U_UART_B	0X60	UART B base offset	read/write
PMC4U_UART_C	0X80	UART C base offset	read/write
PMC4U_UART_D	0XA0	UART D base offset	read/write
PMC4U_IRUPT	0XE0	interrupt source read	read
PMC4U_IRUPT_CLR	0XE0	interrupt write clear	write

FIGURE 2

PMC-4U INTERNAL ADDRESS MAP

Each UART channel has a number of registers associated with it. These register offsets and their general functions are given in figure 3. For details of the bits and functions of each register consult the documentation for the XR16C854.

The SCC also has a number of internal registers that are accessed in a two-step process. First the register number is written to the control address for the respective channel. Then an additional read or write to the same control address is performed. This causes the data to be read from or written to the desired register. At the end of this process the register pointer is reset so that the next access is again to/from the base control register. For a more complete description of this process, as well as details of registers and their functions, see the user's manual for the Z85C30.

The address map provided is for the local decoding performed within the PMC-4U. The addresses are all offsets from a base address. The carrier board that the PMC is installed into provides the base address.

The VendorId = 0x10EE. The CardId = 0x0007. Current revision = 0x00



REGISTER	OFFSET	FUNCTION
PMC4U_UART_DATA	0X00	UART read/write data
PMC4U_UART_IEN	0X04	UART write interrupt enable
PMC4U_UART_ISTAT	0X08	UART read interrupt status
PMC4U_UART_FCNTL	0X08	UART write FIFO control
PMC4U_UART_LCNTL	0X0C	UART write line control
PMC4U_UART_MCNTL	0X10	UART write modem control
PMC4U_UART_LSTAT	0X14	UART read line status
PMC4U_UART_MSTAT	0X18	UART read modem status
PMC4U_UART_SPAD	0X1C	UART read/write scratchpad
UART baud rate register defines (enabled when *LCNTL bit-7 = 1)		
PMC4U_UART_DLL	0X00	UART read/write LSB divisor
PMC4U_UART_DLM	0X04	UART read/write MSB divisor
UART enhanced register offsets (enabled when *LCNTL = 0xbf)		
PMC4U_UART_FTC	0X00	UART FIFO read count/write trigger level
PMC4U_UART_FEAT	0X04	UART write feature control
PMC4U_UART_ENF	0X08	UART read/write enhanced features
PMC4U_UART_XON1	0X10	UART read/write Xon-1 word
PMC4U_UART_XON2	0X14	UART read/write Xon-2 word
PMC4U_UART_XOFF1	0X18	UART read/write Xoff-1 word
PMC4U_UART_XOFF2	0X1C	UART read/write Xoff-2 word
UART EMS registers (enabled when feature control bit-6 = 1)		
PMC4U_UART_EMS	0X1C	UART write enhanced mode select

FIGURE 3

PMC-4U UART ADDRESS MAP



Programming

Programming the PMC-4U requires only the ability to read and write data from the host. The base address is determined by the PMC Carrier board. The base address refers to the first user address for the slot in which the PMC is installed.

Depending on the software environment it may be necessary to set-up the system software with the PMC-4U "registration" data. For example in WindowsNT there is a system registry, which is used to identify the resident hardware. The PMC-4U VendorId = 0x10EE. The CardId = 0x0007. Current revision = 0x00

The interrupt service routine should be loaded, the interrupt mask set, and the desired interrupt conditions set up in the UART and SCC. Each of the four UART channels and the SCC has a separate bit in the interrupt and interrupt mask registers. When an interrupt occurs this event is latched in the interrupt register. The interrupt is cleared by writing the bit back as a one to the same address.

Refer to the Theory of Operation section above, the Register section below, and the XR16C854 and Z85C30 documentation for more information regarding the register functions and definitions.



Register Definitions

PMC4U_BASE

[0X00] PMC-4U Control Register Port read/write

CONTROL BASE	
DATA BIT	DESCRIPTION
31-22	spare
21-20	test mode select
19	master interrupt enable
18	force interrupt
17	SCC reset
16	UART reset
15-0	spare

FIGURE 4

PMC-4U BASE CONTROL REGISTER BIT MAP

All bits are active high and are reset on power-up or reset command.

Test mode select is used to enable different drivers and receivers to allow thorough testing of the IO circuitry. A value of "00" indicates normal operational mode. In this mode the connections are as follows (see figure 12 for pin-out information):

<u>Signal Function</u>	<u>Driver/Receiver</u>
UART Tx A	IO_8 (RS422) OUT_0 (RS423)
UART Rx A	IO_0 (RS422)
UART Tx B	IO_9 (RS422) OUT_1 (RS423)
UART Rx B	IO_2 (RS422)
UART Tx C	IO_10 (RS422) OUT_2 (RS423)
UART Rx C	IO_4 (RS422)
UART Tx D	IO_11 (RS422) OUT_3 (RS423)
UART Rx D	IO_6 (RS422)



SCC Tx A	OUT_4 (188)
SCC Rx A	AUX_IN_0 (enhanced hysteresis 188)
SCC Rx Clk	AUX_IN_1 (enhanced hysteresis 188)
SCC RTS A	AUX_OUT_0 (open drain)

SCC Tx B	IO_15 (RS422)
SCC Rx B	IO_13 (RS422)

When test mode select is "10" the following changes are made (if a signal is not listed here, its connection remains the same):

<u>Signal Function</u>	<u>Driver/Receiver</u>
UART Rx A	IO_1 (RS422)
UART Rx B	IO_3 (RS422)
UART Rx C	IO_5 (RS422)
UART Rx D	IO_7 (RS422)
SCC RTS A	AUX_OUT_1 (open drain)
SCC Tx B	IO_14 (RS422)
SCC Rx B	IO_12 (RS422)

When test mode select is "11" the following changes are made:

<u>Signal Function</u>	<u>Driver/Receiver</u>
UART Rx A	IN_0 (RS232)
UART Rx B	IN_1 (RS232)
UART Rx C	IN_2 (RS232)
UART Rx D	IN_3 (RS232)

When test mode select is "01" the following changes are made:

<u>Signal Function</u>	<u>Driver/Receiver</u>
UART Rx A	IN_4 (RS232)
UART Rx B	IN_5 (RS232)



UART Tx C OUT_6 (RS423)
UART Rx C IN_6 (RS232)

UART Tx D OUT_7 (RS423)
UART Rx D IN_7 (RS232)

Master interrupt enable when '1' gates all interrupts through to the PCI host. When '0' the interrupts can be used for status without interrupting the host.

Force interrupt is used for test and software development purposes to create an interrupt request. 1 = assert interrupt request. 0 = normal operation. Useful to stimulate interrupt acknowledge routines for development.

SCC reset causes a hardware reset of the SCC. In order to accomplish this, set this bit high and then low. All registers and modes in the SCC will revert to the reset state.

UART reset causes a hardware reset of the UART. The process is the same as the SCC.



PMC4U_STAT

[0X04] PMC-4U Status Port read only

STATUS	
DATA BIT	DESCRIPTION
31-2	spare
1	interrupt out
0	interrupt status

FIGURE 5

PMC-4U TX CONTROL REGISTER BIT MAP

Interrupt out indicates that an interrupt is asserted on the PCI bus.

Interrupt status indicates that an interrupt condition exists, however if the master interrupt enable is not asserted, then the interrupt will not be asserted on the PCI bus. This bit can be used to operate the card in polled mode without interrupting the host.

PMC4U_MSK

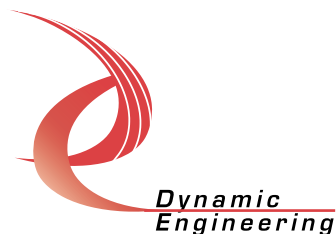
[0X08] PMC-4U Interrupt Mask Register Port read/write

INTERRUPT MASK	
DATA BIT	DESCRIPTION
31-5	Spare
4	SCC Interrupt Enable
3	UART D Interrupt Enable
2	UART C Interrupt Enable
1	UART B Interrupt Enable
0	UART A Interrupt Enable

FIGURE 6

PMC-4U INTERRUPT MASK REGISTER BIT MAP

The bits in this register enable the individual interrupts from the devices indicated. The mask bit for a device must be set to a one in order for an interrupt from that device to affect the PMC-4U interrupt status.



PMC4U_SCC_IVEC

[0X0C] PMC-4U SCC Interrupt Acknowledge/Vector Read

A read from this address causes the SCC interrupt acknowledge signal to be asserted. If an interrupt condition exists in the SCC, it will respond by placing an interrupt vector on the local data bus. This vector is specified by the user and, depending on the state set in the SCC registers, may contain status information about the cause of the interrupt.

PMC4U_DIR_TERM

[0X10] PMC-4U Direction and Termination Port read/write

CONTROL DIR_TERM REGISTER	
DATA BIT	DESCRIPTION
31-20	spare
19-16	TERMination 3-0 1 = terminated
15-3	spare
2-0	DIRection 2-0 0 = read 1 = drive

FIGURE 7

PMC-4U DIRECTION TERMINATION CONTROL BIT MAP

The direction and termination for each of the 16 differential pairs is controlled through this port. The bits default to '0', which corresponds to tri-stating the drivers with no termination.

CONTROL	CORRESPONDING IO BITS
DIRO	IO_0..7
DIR1	IO_8..11
DIR2	IO_12..13

In this design the direction of IO lines 14 and 15 are controlled by the RTS line of the SCC channel B to allow this signal to control the SCC Tx B enable.



Parallel termination resistors are supplied on each differential pair along with a switch to allow the user to select which lines are terminated and where. In some systems it will make sense to terminate the lines in the cable and in others it will make sense to use the onboard terminations.

<u>CONTROL</u>	<u>CORRESPONDING IO BITS</u>
TERMO	IO_0..7
TERM1	IO_8..11
TERM2	IO_12..13
TERM3	IO_14..15

PMC4U_SW_IN

[0X14] PMC-4U User Switch Port read only

USER CONTROL SWITCH REGISTER	
DATA BIT	DESCRIPTION
5	UB5
4	UB4
3	UB3
2	UB2
1	UB1
0	UB0

FIGURE 8

PMC-4U SWITCH READ BIT MAP

The Switch Read Port has the user bits. The user bits are connected to 6 switch positions. The switches allow custom configurations to be defined by the user and for the software to “know” how to configure the read/write capabilities of each IO line. Please note that the lower 6 bits of the switch are implemented [positions 7 & 8 are unused]. The silk-screen is marked with the ‘0’ and ‘1’ definitions.



PMC4U_SCC_A_CNTL

[0X18] PMC-4U SCC Channel A Control Register read/write

This address is used to access all of the channel A registers. In order to access a register other than this base register, the register number is first written to this address. A subsequent read or write will read from or write to the desired register. After this process is completed, the pointers are reset so that the base register is once again accessed. See the Z85C30 documentation for more information on this process.

PMC4U_SCC_A_DATA

[0X1C] PMC-4U SCC Channel A Data Register read/write

This address is used to access the channel A data buffers. A write to this address loads a byte into the channel A transmit buffer, a read removes a byte from the receive buffer.

PMC4U_SCC_B_CNTL

[0X20] PMC-4U SCC Channel B Control Register read/write

This address is used to access all of the channel B registers. In order to access a register other than this base register, the register number is first written to this address. A subsequent read or write will read from or write to the desired register. After this process is completed, the pointers are reset so that the base register is once again accessed. See the Z85C30 documentation for more information on this process.

PMC4U_SCC_B_DATA

[0X24] PMC-4U SCC Channel B Data Register read/write

This address is used to access the channel B data buffers. A write to this address loads a byte into the channel B transmit buffer, a read removes a byte from the receive buffer.



PMC4U_UART_A

[0X40] PMC-4U UART A Base Address

This is the base address for the eight register addresses associated with UART A. Figure 3 gives an overview of these registers and their functions. For more details on the access and functions of these registers see the XR16C854 documentation.

PMC4U_UART_B

[0X60] PMC-4U UART B Base Address

This is the base address for the eight register addresses associated with UART B. Figure 3 gives an overview of these registers and their functions. For more details on the access and functions of these registers see the XR16C854 documentation.

PMC4U_UART_C

[0X80] PMC-4U UART C Base Address

This is the base address for the eight register addresses associated with UART C. Figure 3 gives an overview of these registers and their functions. For more details on the access and functions of these registers see the XR16C854 documentation.

PMC4U_UART_D

[0XA0] PMC-4U UART D Base Address

This is the base address for the eight register addresses associated with UART D. Figure 3 gives an overview of these registers and their functions. For more details on the access and functions of these registers see the XR16C854 documentation.



PMC4U_IRUPT/PMC4U_IRUPT_CLR

[0XE0] PMC-4U Interrupt Latch read status/write clear

INTERRUPT STATUS	
DATA BIT	DESCRIPTION
4	SCC interrupt
3	UART D interrupt
2	UART C interrupt
1	UART B interrupt
0	UART A interrupt

FIGURE 9

PMC-4U INTERRUPT STATUS/CLEAR

The bits in this register indicate that an interrupt has been received from the corresponding device. These bits are latched and once set will remain set until a one is written to the bit to be cleared.

Interrupts

PMC-4U interrupts are treated as auto-vectored. When the software enters into an exception handler to deal with a PMC-4U interrupt the software must read the interrupt register to determine the cause(s) of the interrupt, change the interrupt mask, process accordingly to clear the interrupt condition, and then clear the associated bit in the interrupt register.

In order to clear the interrupt condition it will be necessary to access registers in the UART or the SCC to determine the particular cause of the interrupt, change the device interrupt enables, and service the device to remove the cause of the interrupt. The SCC can be configured so that the interrupt cause is read with an interrupt acknowledge/vector read cycle.

The interrupt level seen by the CPU is determined by the rest of the system. The master interrupt can be disabled or enabled through the PMC4U_BASE register. The individual enables for the four UART channels and the SCC are controlled by the PMC4U_MSK register. In addition there are registers in the UART and SCC that must be configured for the particular conditions that are desired to generate an interrupt request.

An interrupt that is received from one of the UART channels or the SCC will be latched into the PMC4U_IRUPT register. This interrupt will only affect the interrupt status in the PMC4U_STAT register if the appropriate bit is set in the PMC4U_MSK register. This in turn will only generate a host interrupt only if the master interrupt enable is set in the PMC_BASE register.

After the interrupt has been serviced and the interrupting condition no longer exists the bit latched in the PMC4U_IRUPT register can be cleared by writing a one to the respective bit. Then the mask bit can be set without causing another interrupt.

The master enable is a mask that can be used to disable the interrupt from reaching the CPU, but still leaves the internal interrupt request hardware active which is useful for polled operation.

Power on initialization will provide a cleared interrupt request and interrupts disabled.



Loop-back

The Engineering kit has reference software, which includes external loop-back tests for the SCC and the UART. These tests require an external cable with the following pins connected.

<u>SIGNAL</u>	<u>OUTPUT</u>	<u>INPUT1</u>	<u>INPUT2</u>
U_TxA+	PIN-11	PIN-2	PIN-3
U_TxA-	PIN-45	PIN-36	PIN-37
U_TxB+	PIN-12	PIN-4	PIN-5
U_TxB-	PIN-46	PIN-38	PIN-39
U_TxC+	PIN-13	PIN-6	PIN-7
U_TxC-	PIN-47	PIN-40	PIN-41
U_TxD+	PIN-14	PIN-8	PIN-9
U_TxD-	PIN-48	PIN-42	PIN-43
U_TxA	PIN-54	PIN-20	
U_TxB	PIN-55	PIN-21	
U_TxC1	PIN-56	PIN-22	
U_TxC2	PIN-60	PIN-24	PIN-25
U_TxD1	PIN-57	PIN-23	
U_TxD2	PIN-61	PIN-26	PIN-27
S_TxA	PIN-58	PIN-29	
S_TCA	PIN-59	PIN-30	
S_TxB1+	PIN-18	PIN-16	
S_TxB1-	PIN-52	PIN-50	
S_TxB2+	PIN-17	PIN-15	
S_TxB2-	PIN-51	PIN-49	



PMC PCI Pn1 Interface Pin Assignment

The figure below gives the pin assignments for the PMC Module PCI Pn1 Interface on the PMC-4U-IO. See the User Manual for your carrier board for more information. Unused pins may be assigned by the specification and not needed by this design.

	-12V	1	2
GND	INTA#	3	4
		5	6
BUSMODE1#	+5V	7	8
		9	10
GND -		11	12
CLK	GND	13	14
GND -		15	16
	+5V	17	18
	AD31	19	20
AD28-	AD27	21	22
AD25-	GND	23	24
GND -	C/BE3#	25	26
AD22-	AD21	27	28
AD19	+5V	29	30
	AD17	31	32
FRAME#-	GND	33	34
GND	IRDY#	35	36
DEVSEL#	+5V	37	38
GND	LOCK#	39	40
		41	42
PAR	GND	43	44
	AD15	45	46
AD12-	AD11	47	48
AD9-	+5V	49	50
GND -	C/BE0#	51	52
AD6-	AD5	53	54
AD4	GND	55	56
	AD3	57	58
AD2-	AD1	59	60
	+5V	61	62
GND		63	64

FIGURE 10

PMC-4U PN1 INTERFACE



PMC PCI Pn2 Interface Pin Assignment

The figure below gives the pin assignments for the PMC Module PCI Pn2 Interface on the PMC-4U-IO. See the User Manual for your carrier board for more information. Unused pins may be assigned by the specification and not needed by this design.

+12V			1	2
			3	4
	GND		5	6
GND			7	8
			9	10
			11	12
RST#	BUSMODE3#		13	14
	BUSMODE4#		15	16
	GND		17	18
AD30	AD29		19	20
GND	AD26		21	22
AD24			23	24
IDSEL	AD23		25	26
	AD20		27	28
AD18			29	30
AD16	C/BE2#		31	32
GND			33	34
TRDY#			35	36
GND	STOP#		37	38
PERR#	GND		39	40
	SERR#		41	42
C/BE1#	GND	43		44
AD14	AD13		45	46
GND	AD10		47	48
AD8			49	50
AD7			51	52
			53	54
	GND		55	56
			57	58
GND			59	60
			61	62
GND			63	64

FIGURE 11

PMC-4U PN2 INTERFACE



PMC-4U Front Panel IO Pin Assignment

The figure below gives the pin assignments for the PMC Module IO Interface on the PMC-4U. Also, see the User Manual for your carrier board for more information. GND* is a plane which is tied to GND through a 1206 0Ω resistor. AC or open are options – contact Dynamic Engineering.

GND*	GND*	1	35
IO_0+ (UART Rx A)	IO_0- (UART Rx A)	2	36
IO_1+	IO_1-	3	37
IO_2+ (UART Rx B)	IO_2- (UART Rx B)	4	38
IO_3+	IO_3-	5	39
IO_4+ (UART Rx C)	IO_4- (UART Rx C)	6	40
IO_5+	IO_5-	7	41
IO_6+ (UART Rx D)	IO_6- (UART Rx D)	8	42
IO_7+	IO_7-	9	43
GND*	GND*	10	44
IO_8+ (UART Tx A)	IO_8- (UART Tx A)	11	45
IO_9+ (UART Tx B)	IO_9- (UART Tx B)	12	46
IO_10+ (UART Tx C)	IO_10- (UART Tx C)	13	47
IO_11+ (UART Tx D)	IO_11- (UART Tx D)	14	48
IO_12+	IO_12-	15	49
IO_13+ (SCC Rx B)	IO_13- (SCC Rx B)	16	50
IO_14+	IO_14-	17	51
IO_15+ (SCC Tx B)	IO_15- (SCC Tx B)	18	52
GND*	GND*	19	53
IN_0	OUT_0 (UART Tx A)	20	54
IN_1	OUT_1 (UART Tx B)	21	55
IN_2	OUT_2 (UART Tx C)	22	56
IN_3	OUT_3 (UART Tx D)	23	57
IN_4	OUT_4 (SCC Tx A)	24	58
IN_5	OUT_5	25	59
IN_6	OUT_6	26	60
IN_7	OUT_7	27	61
GND*	GND*	28	62
AUX_IN_0 (SCC Rx A)	AUX_OUT_0 (SCC RTS A)	29	63
AUX_IN_1 (SCC Rx Clk)	AUX_OUT_1	30	64
GND*	GND*	31	65
+3.3 V REF	GND*	32	66
+6.5 V REF	GND*	33	67
-6.5 V REF	GND*	34	68

FIGURE 12

PMC-4U FRONT PANEL INTERFACE



PMC Pn4 User Interface Pin Assignment

The figure provides the pin assignments for the PMC-4U Module routed to Pn4. Also, see the User Manual for your carrier board for more information.

GND	IO_0+ (UART Rx A)	1	2
IO_1+	IO_2+ (UART Rx B)	3	4
IO_3+	IO_4+ (UART Rx C)	5	6
IO_5+	IO_6+ (UART Rx D)	8	9
IO_7+	GND	9	10
IO_8+ (UART Tx A)	IO_9+ (UART Tx B)	11	12
IO_10+ (UART Tx C)	IO_11+ (UART Tx D)	13	14
IO_12+	IO_13+ (SCC Rx B)	15	16
IO_14+	IO_15+ (SCC Tx B)	17	18
GND	IN_0	19	20
IN_1	IN_2	21	22
IN_3	IN_4	23	24
IN_5	IN_6	25	26
IN_7	GND	27	28
AUX_IN_0 (SCC Rx A)	AUX_IN_1 (SCC Rx Clk)	29	30
GND	+3.3 V REF	31	32
+6.5 V REF	-6.5 V REF	33	34
GND	IO_0- (UART Rx A)	35	36
IO_1-	IO_2- (UART Rx B)	37	38
IO_3-	IO_4- (UART Rx C)	39	40
IO_5-	IO_6- (UART Rx D)	41	42
IO_7-	GND	43	44
IO_8- (UART Tx A)	IO_9- (UART Tx B)	45	46
IO_10- (UART Tx C)	IO_11- (UART Tx D)	47	48
IO_12-	IO_13- (SCC Rx B)	49	50
IO_14-	IO_15- (SCC Tx B)	51	52
GND	OUT_0 (UART Tx A)	53	54
OUT_1 (UART Tx B)	OUT_2 (UART Tx C)	55	56
OUT_3 (UART Tx D)	OUT_4 (SCC Tx A)	57	58
OUT_5	OUT_6	59	60
OUT_7	GND	61	62
AUX_OUT_0 (SCC RTS A)	AUX_OUT_1	63	64

FIGURE 13

PMC-4U PN4 INTERFACE



Applications Guide

Interfacing

The pin-out tables are displayed with the pins in the same relative order as the actual connectors. The pin definitions are defined with noise immunity in mind. The pairs are chosen to match standard SCSI II/III cable pairing to allow a low cost commercial cable to be used for the interface.

Some general interfacing guidelines are presented below. Do not hesitate to contact the factory if you need more assistance.

Watch the system grounds. All electrically connected equipment should have a fail-safe common ground that is large enough to handle all current loads without affecting noise immunity. Power supplies and power-consuming loads should all have their own ground wires back to a common point.

Power all system power supplies from one switch. Connecting external voltage to the PMC-4U when it is not powered can damage it, as well as the rest of the host system. This problem may be avoided by turning all power supplies on and off at the same time. Alternatively, the use of OPTO-22 isolation panels is recommended.

Keep cables short. Flat cables, even with alternate ground lines, are not suitable for long distances. PMC-4U does not contain special input protection. The connector is pinned out for a standard SCSI II/III cable to be used. The twisted pairs are defined to match up with the PMC-4UI pin definitions. It is suggested that this standard cable be used for most of the cable run.

Terminal Block. We offer a high quality 68 screw terminal block that directly connects to the SCSI II/III cable. The terminal block can mount on standard DIN rails. HDEterm68
[<http://www.dyneng.com/HDEterm68.html>]

We provide the components. You provide the system. Safety and reliability can be achieved only by careful planning and practice. Inputs can be damaged by static discharge, or by applying voltage outside of the particular device's rated voltages.



Construction and Reliability

PMC Modules were conceived and engineered for rugged industrial environments. The PMC-4U is constructed out of 0.062 inch thick FR4 material.

Through hole and surface mounting of components are used. IC sockets use gold plated screw machine pins. High insertion and removal forces are required, which assists in the retention of components. If the application requires unusually high reliability or is in an environment subject to high vibration, the user may solder the corner pins of each socketed IC into the socket, using a grounded soldering iron.

The PMC connectors are rated at 1 Amp per pin, 100 insertion cycles minimum. These connectors make consistent, correct insertion easy and reliable.

The PMC secured against the carrier with four screws attached to the 2 stand-offs and 2 locations on the front panel. The four screws provide significant protection against shock, vibration, and incomplete insertion.

The PMC Module provides a low temperature coefficient of 2.17 W/°C for uniform heat. This is based upon the temperature coefficient of the base FR4 material of 0.31 W/m-°C, and taking into account the thickness and area of the PMC. The coefficient means that if 2.17 Watts are applied uniformly on the component side, then the temperature difference between the component side and solder side is one degree Celsius.

Thermal Considerations

The PMC-4U design consists of CMOS circuits. The power dissipation due to internal circuitry is very low. It is possible to create a higher power dissipation with the externally connected logic. If more than one Watt is required to be dissipated due to external loading then forced air cooling is recommended. With the one degree differential temperature to the solder side of the board external cooling is easily accomplished.



Warranty and Repair

Dynamic Engineering warrants this product to be free from defects in workmanship and materials under normal use and service and in its original, unmodified condition, for a period of one year from the time of purchase. If the product is found to be defective within the terms of this warranty, Dynamic Engineering's sole responsibility shall be to repair, or at Dynamic Engineering's sole option to replace, the defective product. The product must be returned by the original customer, insured, and shipped prepaid to Dynamic Engineering. All replaced products become the sole property of Dynamic Engineering.

Dynamic Engineering's warranty of and liability for defective products is limited to that set forth herein. Dynamic Engineering disclaims and excludes all other product warranties and product liability, expressed or implied, including but not limited to any implied warranties of merchandisability or fitness for a particular purpose or use, liability for negligence in manufacture or shipment of product, liability for injury to persons or property, or for any incidental or consequential damages.

Dynamic Engineering's products are not authorized for use as critical components in life support devices or systems without the express written approval of the president of Dynamic Engineering.



Service Policy

Before returning a product for repair, verify as well as possible that the suspected unit is at fault. Then call the Customer Service Department for a RETURN MATERIAL AUTHORIZATION (RMA) number. Carefully package the unit, in the original shipping carton if this is available, and ship prepaid and insured with the RMA number clearly written on the outside of the package. Include a return address and the telephone number of a technical contact. For out-of-warranty repairs, a purchase order for repair charges must accompany the return. Dynamic Engineering will not be responsible for damages due to improper packaging of returned items. For service on Dynamic Engineering Products not purchased directly from Dynamic Engineering, contact your reseller. Products returned to Dynamic Engineering for repair by other than the original customer will be treated as out-of-warranty.

Out of Warranty Repairs

Out of warranty repairs will be billed on a material and labor basis. The current minimum repair charge is \$100. Customer approval will be obtained before repairing any item if the repair charges will exceed one half of the quantity one list price for that unit. Return transportation and insurance will be billed as part of the repair and is in addition to the minimum charge.

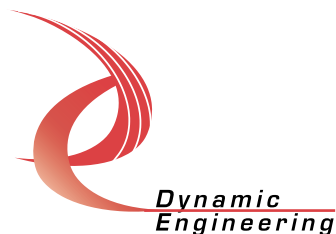
For Service Contact:

Customer Service Department
Dynamic Engineering
435 Park Dr.
Ben Lomond, CA 95005
831-336-8891
831-336-3840 fax
support@dyneng.com



Specifications

Host Interface:	PCI Mezzanine Card
Serial Interfaces:	Four UART channels each with an RS422 driver and receiver and an RS423 driver. One synchronous channel with Mil. Std. 188-114A Type 1 enhanced hysteresis receivers for clock and data, a 188 driver for Tx data, and an open drain PTT interface on the RTS line. Another synchronous channel with RS422 driver and receiver.
TX Data rates generated:	Up to 1.152 MHz for the UART channels. Up to 3.072 MHz for the SCC in synchronous mode. Other rates are available with different oscillator installations.
Software Interface:	Control Registers, Status Ports, UART, and SCC Interface
Initialization:	Hardware Reset forces all registers to 0, resets UART and SCC.
Access Modes:	LW boundary Space (see memory map)
Wait States:	1 for all addresses except UART and SCC accesses.
Interrupt:	Each UART channel has its own interrupt bit The SCC has one interrupt bit for both channels The interrupts generated by these devices depend on the setup specified in the UART and SCC internal registers
DMA:	No DMA Support implemented at this time
Onboard Options:	All Options are Software Programmable
Interface Options:	68 pin twisted pair cable 68 screw terminal block interface
Dimensions:	Standard Single PMC Module.
Construction:	FR4 Multi-Layer Printed Circuit, Through Hole and Surface Mount Components. Programmable parts are socketed.
Temperature Coefficient:	0.89 W/°C for uniform heat across PMC
Power:	Max. TBD mA @ 5V



Order Information

PMC-4U	PMC Module with 4 UART channels and 2 synchronous/asynchronous serial channels Programmable baud rates differential and single ended data inputs and outputs RS-188, 232, 422, 423, 485 standards supported 32 bit data interface
Eng Kit-PMC-4U	HDEterm68 - 68 position screw terminal adapter HDEcabl68 - 68 IO twisted pair cable Technical Documentation, 1. PMC-4U Schematic 2. PMC-4U Reference test software Data sheet reprints are available from the manufacturer's web site reference software.

Note: *The Engineering Kit is strongly recommended for first time PMC-4U buys.*

Schematics

Schematics are provided as part of the engineering kit for customer *reference only*. This information was current at the time the printed circuit board was last revised. This revision letter is shown on the front of this manual as "Corresponding Hardware Revision." This information is not necessarily current or complete manufacturing data, nor is it part of the product specification.

All information provided is Copyright Dynamic Engineering



Free Manuals Download Website

<http://myh66.com>

<http://usermanuals.us>

<http://www.somanuals.com>

<http://www.4manuals.cc>

<http://www.manual-lib.com>

<http://www.404manual.com>

<http://www.luxmanual.com>

<http://aubethermostatmanual.com>

Golf course search by state

<http://golfingnear.com>

Email search by domain

<http://emailbydomain.com>

Auto manuals search

<http://auto.somanuals.com>

TV manuals search

<http://tv.somanuals.com>