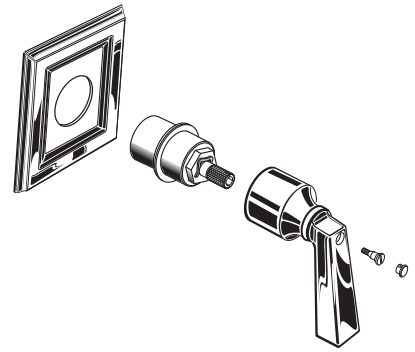


American Standard

Installation Instructions

TOWNSQUARE DIVERTER TRIM KIT

T555430



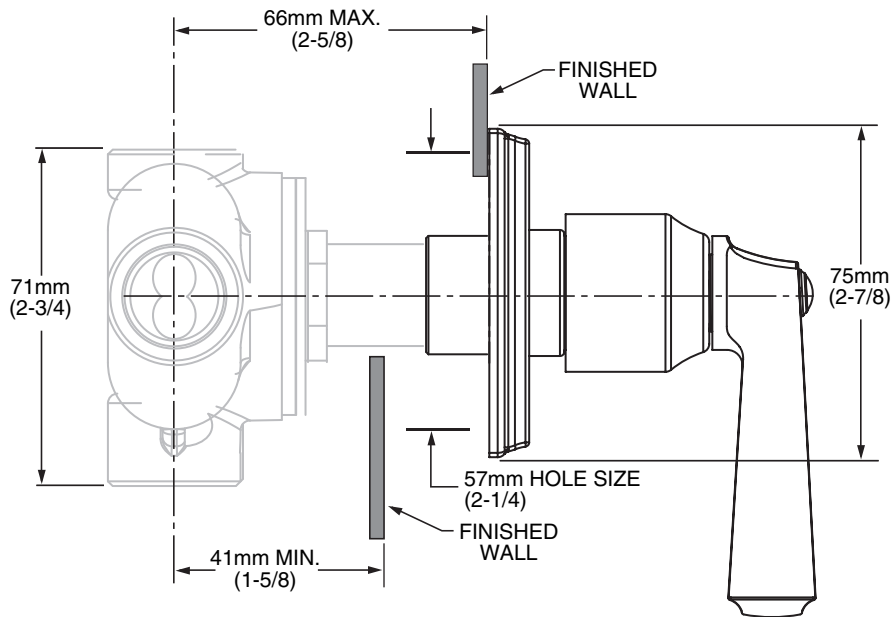
Thank you for selecting American-Standard...the benchmark of fine quality for over 100 years.

To ensure that your installation proceeds smoothly—please read these instructions carefully before you begin.

Certified to comply with ANSI A112.18.1

M968656

ROUGHING-IN DIMENSIONS



Recommended Tools



Flat Blade Screwdriver



Phillips Screwdriver

CARE INSTRUCTIONS:

- To keep your new faucet looking new, please follow these simple care instructions:

DO: ■ Simply rinse the faucet clean with clear water.
■ Dry the faucet with a soft cotton cloth.

DO NOT:

- Do not use any abrasive cleaners, cloths, or paper towels.
- Do not use any cleaning agents containing acids, polish abrasives, or harsh cleaners or soaps.

- Regular and routine cleaning will reduce the need for heavy cleaning and polishing. If heavy cleaning is required, the following procedures are recommended:

- Remove as much surface dirt and film using clear water and soft cotton cloth (as described above).

- Use any of the following to remove tough surface film and build-up:

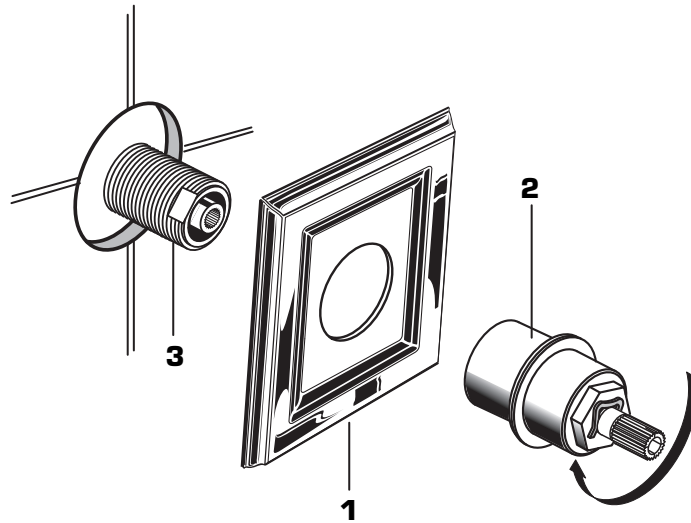
- Mild liquid detergents
- Clear ammonia free liquid glass cleaners
- Non-acidic, non-abrasive gentle liquid or fully dissolved powder cleansers mixed according to manufacturers directions.
- Non-abrasive liquid polishers

- Once clean, rinse faucet again with clear water to thoroughly remove cleaner or polish and blot dry with a soft cotton cloth.

Failure to follow these care instructions may damage the Faucet's finish.

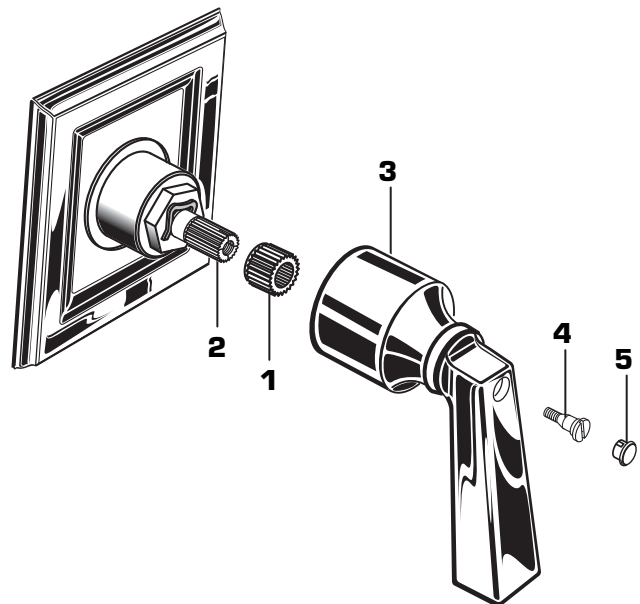
1 TRIM INSTALLATION

- Place ESCUTCHEON (1) onto ESCUTCHEON HOLDER (2).
- Align ESCUTCHEON (1). Thread ESCUTCHEON HOLDER (2) onto DIVERTER VALVE (3).
- Tighten until ESCUTCHEON (1) is snug against finished wall.



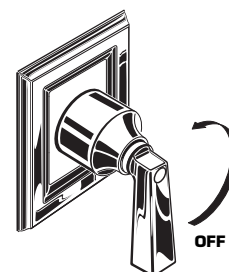
2 HANDLE INSTALLATION

- Push HANDLE ADAPTER (1) onto VALVE STEM (2).
- Turn VALVE STEM (2) to off position.
- Push HANDLE ASSEMBLY (3) onto HANDLE ADAPTER (1).
- Install HANDLE SCREW (4) and tighten.
- Push INDEX BUTTON (5) into HANDLE ASSEMBLY (3).



3 OPERATING THE VALVE

- Turn water supply on and test installed fitting.
- Rotate handle to all diverter positions to check operation of valve.
- Check for leaks.

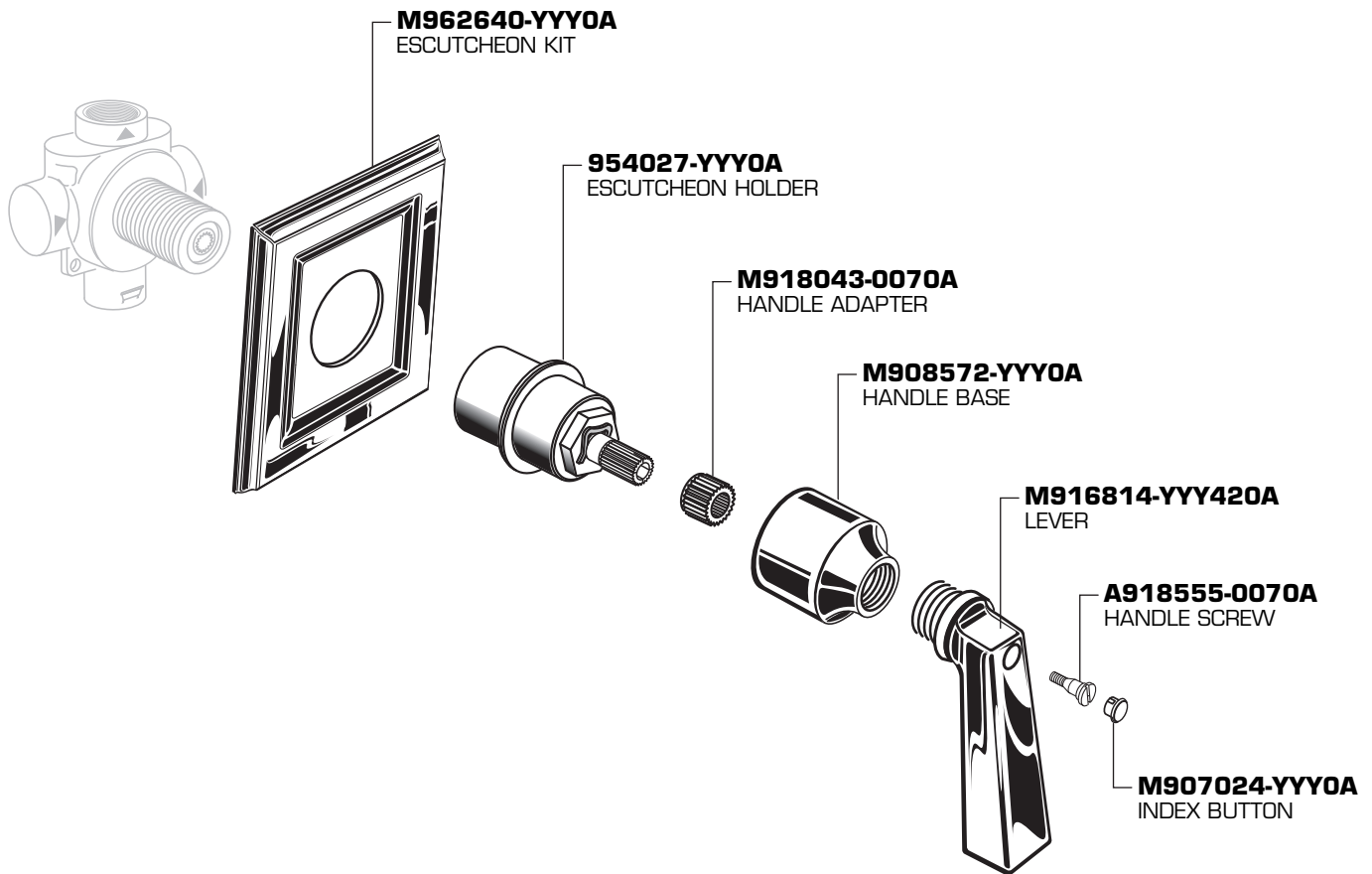


M968656

TOWNSQUARE DIVERTER TRIM KIT

MODEL NUMBERS

T555430



Replace the "YYY" with appropriate finish code

CHROME	002
BLACKENED BRONZE	068
SATIN NICKEL	295



HOT LINE FOR HELP
For toll-free information and answers to your questions, call:
1 (800) 442-1902
Weekdays 8:00 a.m. to 6:00 p.m. EST
IN CANADA 1-800-387-0369 (TORONTO 1-905-306-1093)
Weekdays 8:00 a.m. to 7:00 p.m. EST
IN MEXICO 01-800-839-1200

Product names listed herein are trademarks of American Standard Inc.
© AS America, Inc. 2008

M968656

Free Manuals Download Website

<http://myh66.com>

<http://usermanuals.us>

<http://www.somanuals.com>

<http://www.4manuals.cc>

<http://www.manual-lib.com>

<http://www.404manual.com>

<http://www.luxmanual.com>

<http://aubethermostatmanual.com>

Golf course search by state

<http://golfingnear.com>

Email search by domain

<http://emailbydomain.com>

Auto manuals search

<http://auto.somanuals.com>

TV manuals search

<http://tv.somanuals.com>