

American Standard

HAMPTON

DECK-MOUNT BATH FILLER TRIM KIT
with EverClean™ Finish

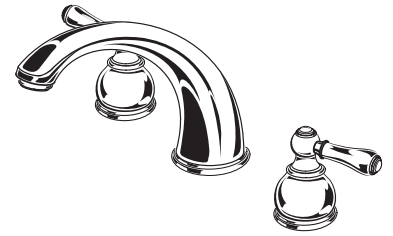
Congratulations on purchasing your American Standard faucet with EverClean finish found only on American Standard faucets.

EverClean Finish

- One wipe effortlessly removes spots
- Eliminates the need for cleaners and scrubbing
- Permanent surface protectant remains beautiful for the life of the faucet
- EverClean™ available on: Polished Chrome, Satin Nickel, Stainless Steel, Polished Brass (or any combination of these finishes)

Installation Instructions

T980.702
T980.712
T980.722
T980.732

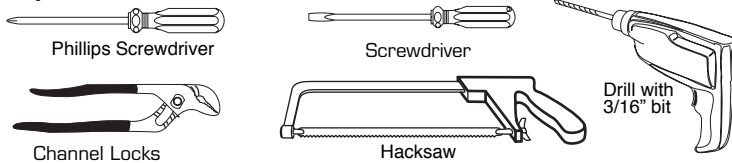


Certified to comply with ANSI A112.18.1
U.S. Patent No. D403,750

M968655 Rev. 1.1

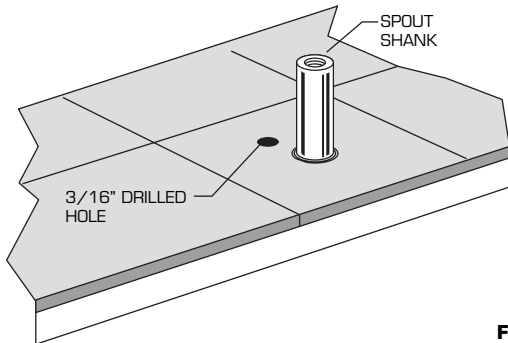
To ensure that your installation proceeds smoothly-please read these instructions carefully before you begin.

Required tools

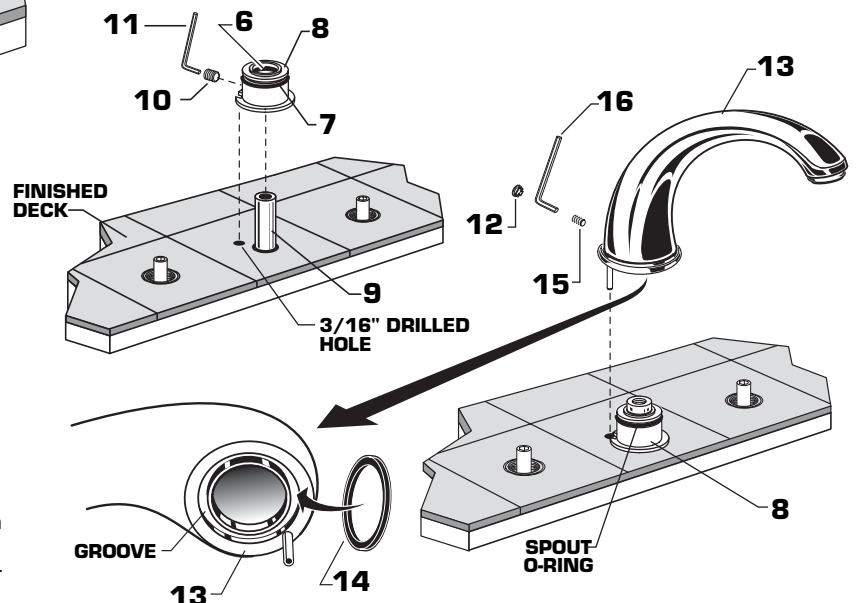
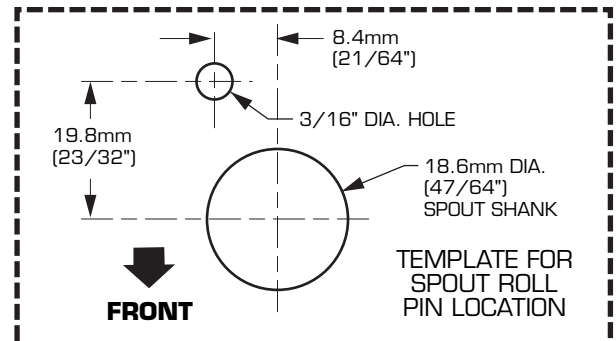
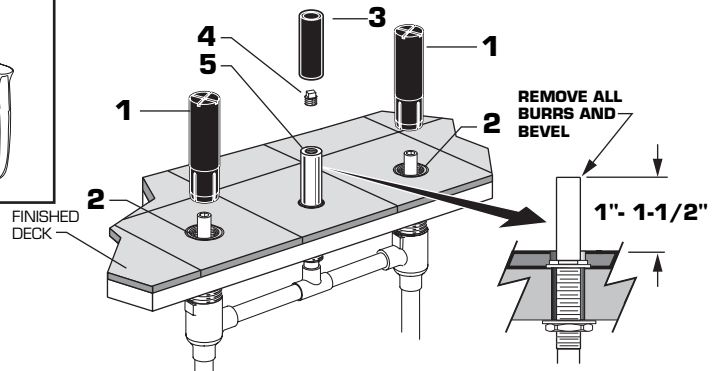


1 SPOUT INSTALLATION

- Complete FINISHED DECK before trim installation.
- Turn off the water supplies.
- Remove the GUARDS (1) from the VALVES (2). Remove the GUARD (3) and 1/4" PLUG (4) from the SPOUT SHANK (5).
- The SPOUT SHANK (5) height should be 1" to 1-1/2" above the FINISHED DECK. Cut the SPOUT SHANK (5) if necessary. **Remove all burrs and bevel the end of the shank. Failure to do so may damage the SPOUT O-ring during installation and cause water leakage.**
- Drill a 3/16" hole in the finished deck. See TEMPLATE for location.

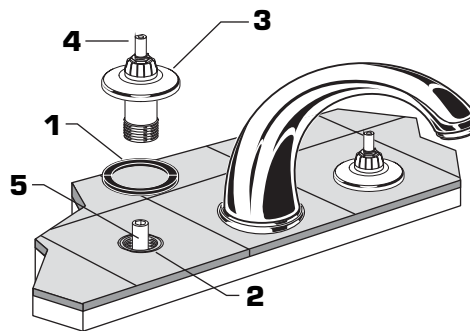


- Lubricate the SPOUT ADAPTER O-RING (6) and SPOUT O-RING (7).
- Push SPOUT ADAPTER (8) on SPOUT SHANK (9) and align slot in SPOUT ADAPTER (8) with 3/16" drilled hole.
- Tighten SPOUT ADAPTER SET SCREW (10) securely with 4mm HEX KEY (11).
- Remove the PLUG BUTTON (12) from the SPOUT (13).
- Position the RUBBER RING (14) in the groove in the base of the SPOUT (13). Push the SPOUT (13) down onto the SPOUT ADAPTER (8) and tighten the SET SCREW (15) securely with the 5mm HEX KEY (16).
- Insert the PLUG BUTTON (12) into the SPOUT (13).



2 VALVE TRIM

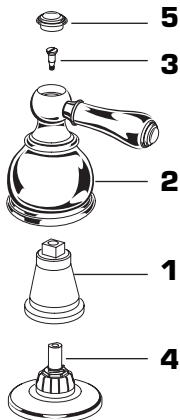
- Place the ESCUTCHEON SEALS (1) over the VALVE BODIES (2).
- Thread the VALVE ESCUTCHEONS (3) into the VALVE BODIES (2). Align the HANDLE STEM (4) with the SLEEVE (5) as necessary. Thread the VALVE ESCUTCHEON (3) into the BODIES (2) until the ESCUTCHEON (3) contacts the finished deck.



3 INSTALL HANDLES

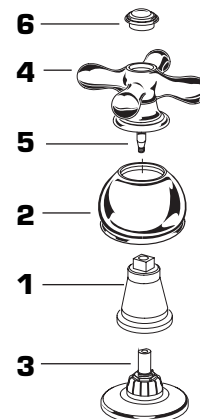
LEVER HANDLE

- Turn VALVE into OFF position.
- Push ADAPTER (1) into HANDLE (2) in a way that the male square on the ADAPTER (1) fits in the female square of the HANDLE (2).
- Push HANDLE (2) and ADAPTER (1) onto VALVE STEM (4).
- Check alignment, if not satisfactory aligned;
 - Push out ADAPTER (1) carefully.
 - Turn ADAPTER (1) either 45° or 90° so that male square on ADAPTER (1) catches different female square in HANDLE BASE (2).
- Assemble and tighten HANDLE SCREW (3).
- Push INDEX CAP (5) in top of HANDLE (2).



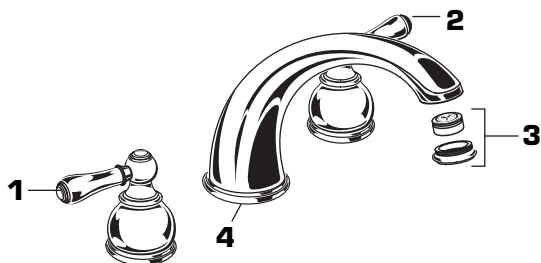
CROSS HANDLE

- Turn VALVE into OFF position.
- Push ADAPTER (1) into HANDLE BASE (2).
- Push HANDLE BASE (2) and ADAPTER (1) onto VALVE STEM (3).
- Push CROSS (4) onto ADAPTER (1).
- Assemble and tighten HANDLE SCREW (5).
- Push INDEX CAP (6) in top of HANDLE (4).



4 TESTING

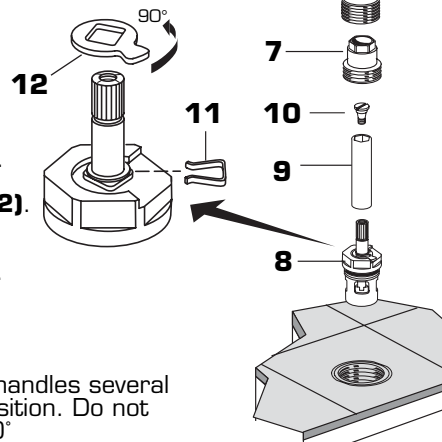
- Turn the HOT HANDLE (1) clockwise and the COLD HANDLE (2) counterclockwise to the off position.
- Unscrew and remove the SPOUT END (3).
- Slowly turn on the water supplies.
- Operate the HANDLES (1, 2) to flush water lines thoroughly. Check SPOUT (4) connection for leakage.
- Turn the Handles off. Replace the SPOUT END (3).



5 SERVICE

To change the direction of handle rotation

- Turn off the water supplies
- Turn HANDLE (1) to the off position.
- Remove the INDEX CAP (2) and the HANDLE SCREW (3). Pull the HANDLE BASE (4) off and remove ADAPTER (5).
- Unscrew the VALVE ESCUTCHEON (6).
- Unscrew the VALVE LOCK NUT (7) and remove. A 17mm deep socket is required.
- Remove the CARTRIDGE (8) by pulling up on the SLEEVE (9).
- Remove the SCREW (10) from the CARTRIDGE (8).
- Remove the SPRING CLIP (11).
- Remove the STOP WASHER (12). Turn it 90° and replace.
- Replace the SPRING CLIP (11).
- Reverse the above steps to reassembly the components.
- If the spout drips, operate the handles several times from the off to the on position. Do not force - the handles only turn 90°



4 EverClean™ Finish Care Instructions

American Standard's EverClean finish will wipe clean with a soft, dry cloth. A soft cloth with clean water may also be used, if desired. No additional cleaning products are required.

DO NOT USE: Soaps, acid, polish, abrasives, harsh cleaners, or a cloth with a coarse surface.

M968655 Rev. 1.1

Free Manuals Download Website

<http://myh66.com>

<http://usermanuals.us>

<http://www.somanuals.com>

<http://www.4manuals.cc>

<http://www.manual-lib.com>

<http://www.404manual.com>

<http://www.luxmanual.com>

<http://aubethermostatmanual.com>

Golf course search by state

<http://golfingnear.com>

Email search by domain

<http://emailbydomain.com>

Auto manuals search

<http://auto.somanuals.com>

TV manuals search

<http://tv.somanuals.com>