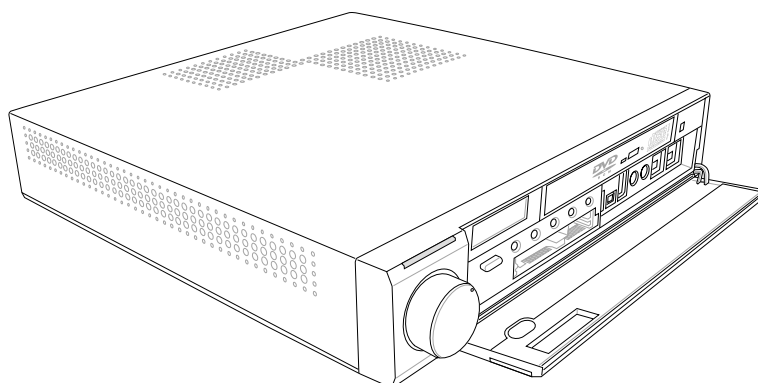


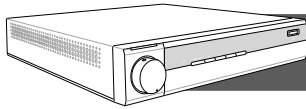
ASUS[®]

DiGiMatrix
Digital Entertainment PC

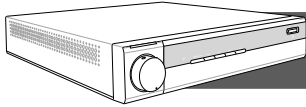


Quick Setup Guide

Copyright © 2003 ASUSTeK COMPUTER INC. All Rights Reserved.



Getting started	2
Package contents	3
DiGiMatrix overview	4
Hardware installation	6
Preparation	6
Basic components to install	6
Removing the top cover	6
Hardware installation	7
Installing a hard disk drive	7
Installing a CPU	8
Installing a DIMM	9
Replacing the top cover	9
Connecting cables	10
Power adapter and cable	10
Radio antenna	10
Audio/Video cable	10
HDTV cable	11
Video out cable	11
Audio out cable	11
Connecting external devices	12
DiGiMatrix operations	12
Powering up	13
Using the storage card reader	13
Using the optical drive	14
Software installation	15
Support CD information	15
Music Wizard	16
Audio DJ	18
ASUS Home Theater	20
Remote controller	22

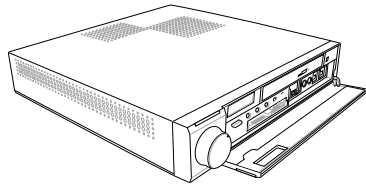


Getting started

This Quick Setup Guide will help you get your ASUS DiGiMatrix PC up and running quickly. Refer to the ASUS DiGiMatrix manual when using this quick installation guide for detailed setup instructions.

Package contents

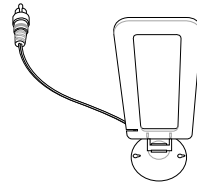
Unpack the ASUS DiGimatrix and set it on a flat, stable surface. Inspect the package and make sure the following items are present and in good condition.



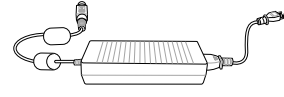
DiGiMatrix system



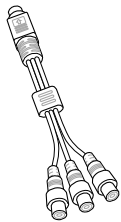
Remote controller



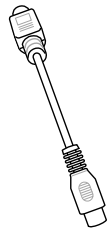
Radio antenna



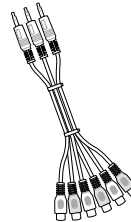
Universal power adapter and cable



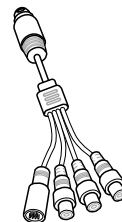
HDTV cable



Video out cable



Audio out cable



Audio/video cable



Support CD



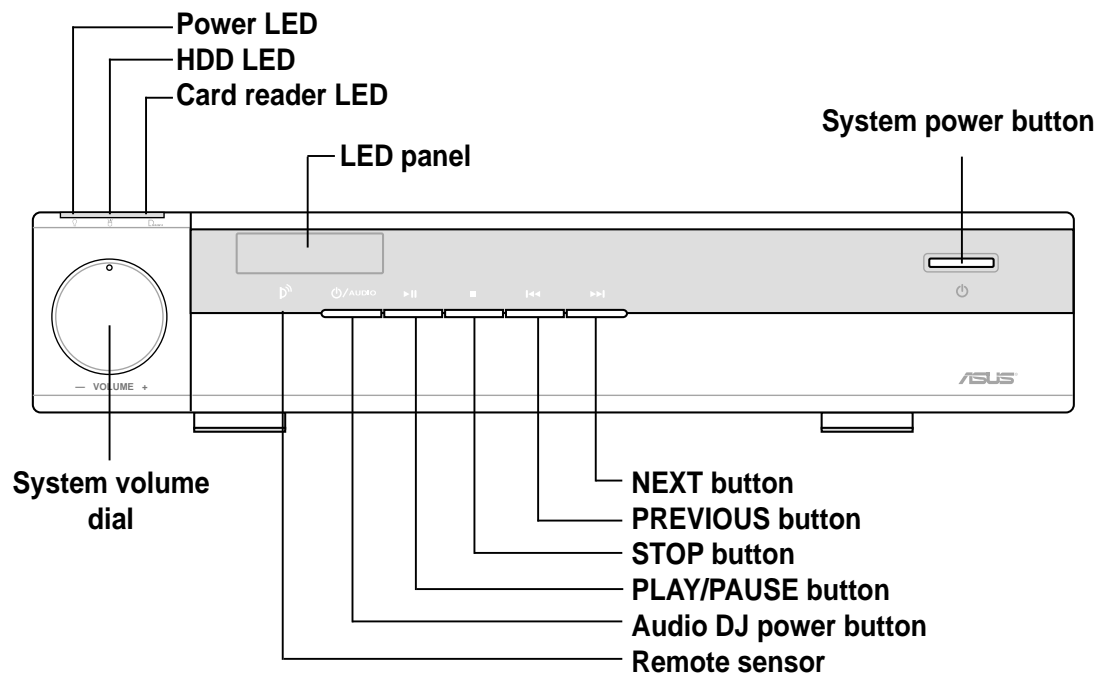
User Guide



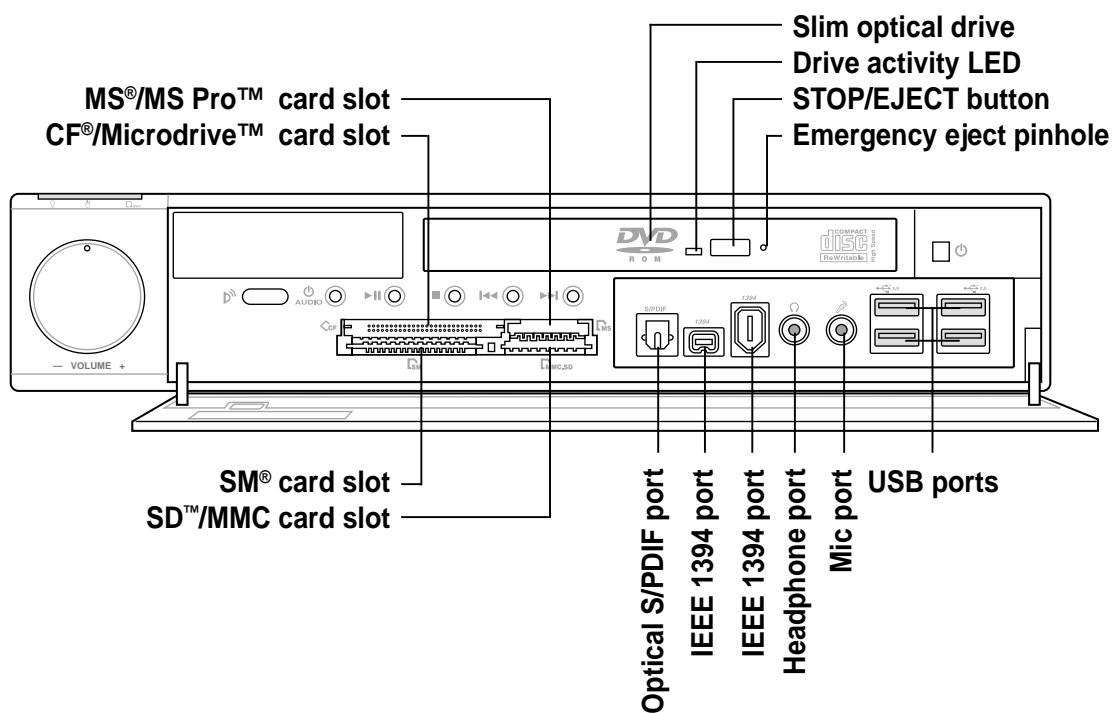
Quick Setup Guide

DiGiMatrix overview

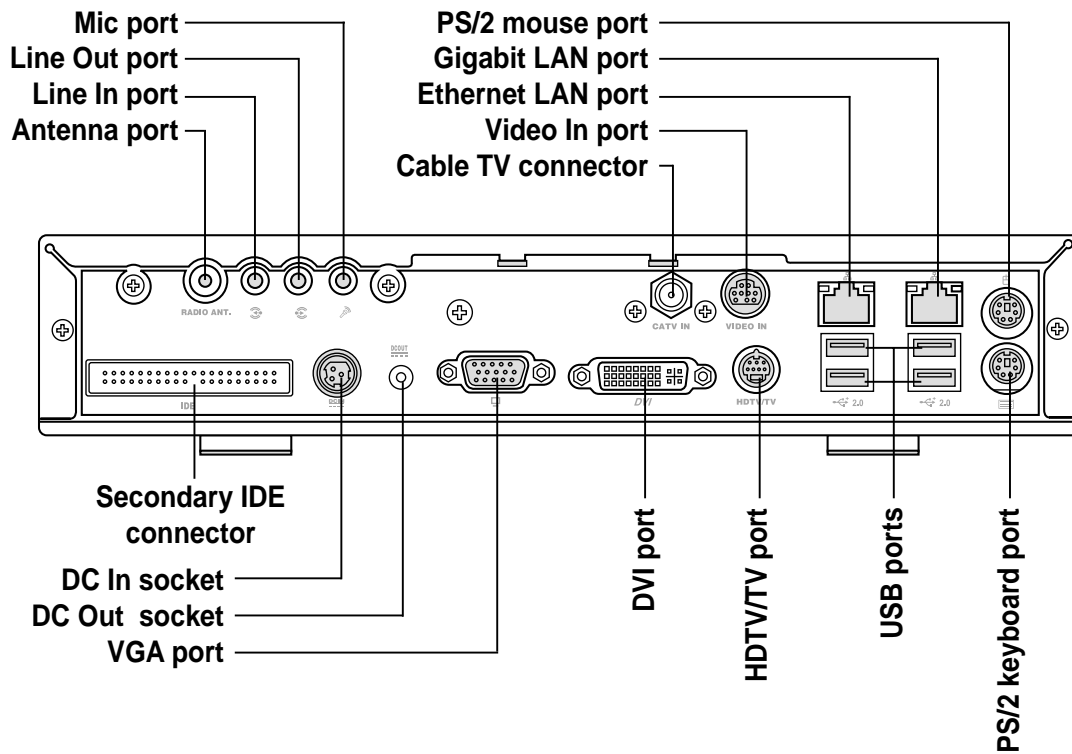
Front panel (external)



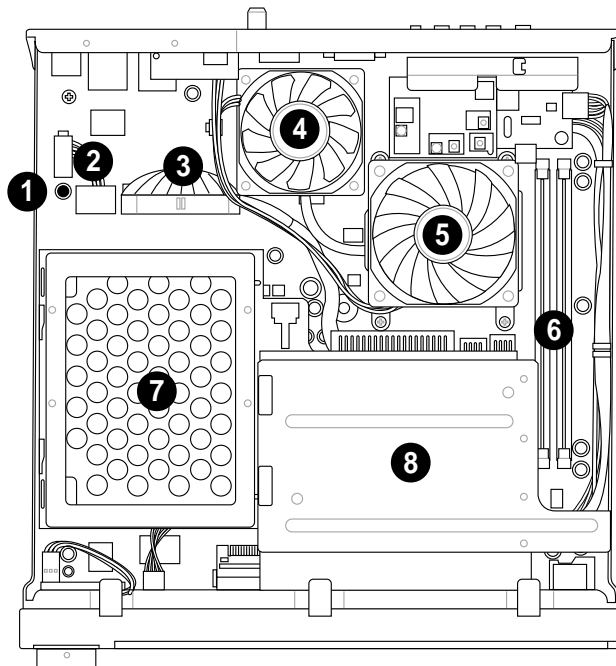
Front panel (internal)



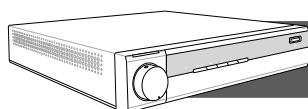
Rear panel



Internal components



1. Standby power LED
2. HDD power plug (to HDD power connector)
3. IDE cable (to HDD connector)
4. Chassis fan
5. CPU fan
6. DIMM sockets
7. HDD metal tray
8. Optical drive drive shield



Hardware installation



CAUTION! Computer components are extremely sensitive to electrostatic discharge (ESD). Before handling any components, be sure to wear an anti-static wrist strap (not included) and touch the computer case, to release any static electricity from your body.

Preparation

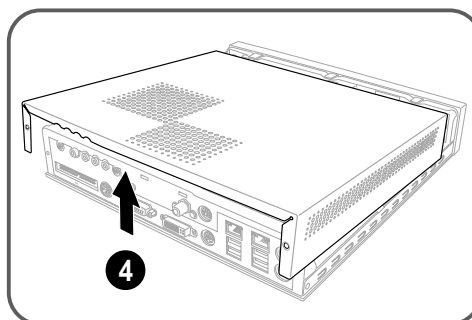
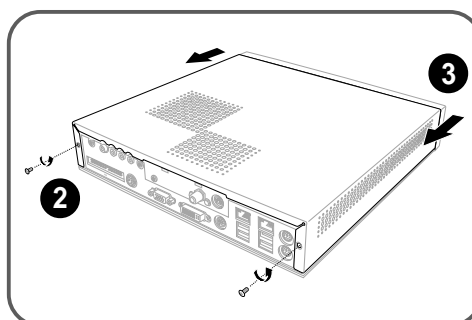
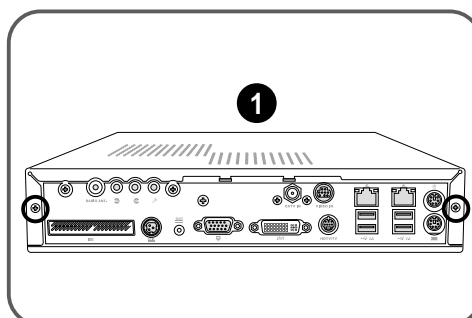
Before you proceed, make sure that you have all the components that you plan to install in the DiGiMatrix system.

Basic components to install

1. Hard disk drive (HDD)
2. Central processing unit (CPU)
3. DDR Dual Inline Memory Module (DIMM)

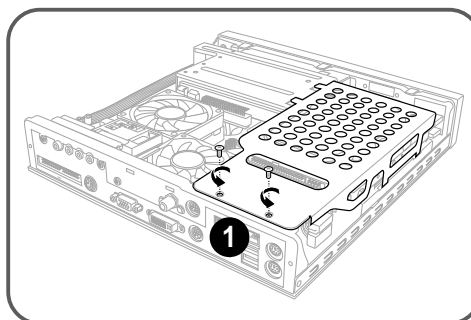
Removing the top cover

1. On the rear panel, locate the two screws that secure the top cover to the chassis.
2. Use a Phillips (cross) screw driver to remove the top cover screws. Keep the screws for later use.
3. Pull the top cover slightly toward the rear panel until the side tabs are disengaged from the chassis.
4. Hold the center edge of the top cover, then lift it up from the chassis. Set the top cover aside.

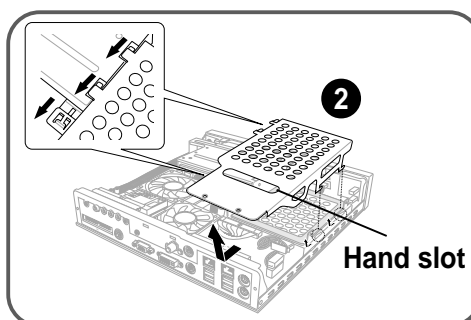


Installing a hard disk drive

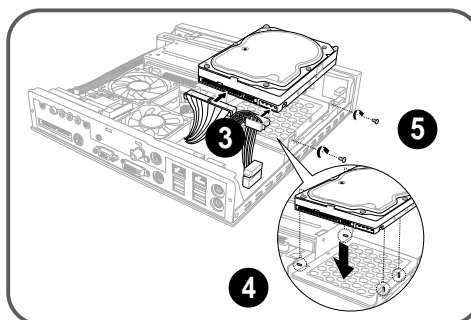
1. Remove the two metal cover screws. Keep the screws for later use.



2. Slide the metal cover toward the rear panel. Lift the metal cover after the side hooks are disengaged from the HDD tray rail and optical drive shield.



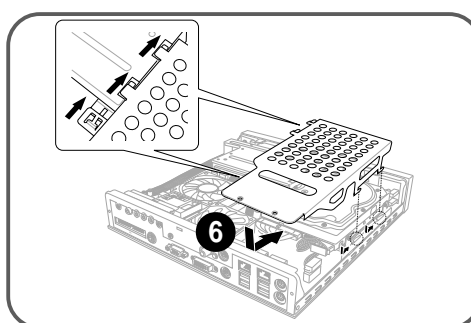
3. Connect the 40-pin IDE cable to the IDE connector on the drive, then connect the 4-pin power plug to the HDD power connector.



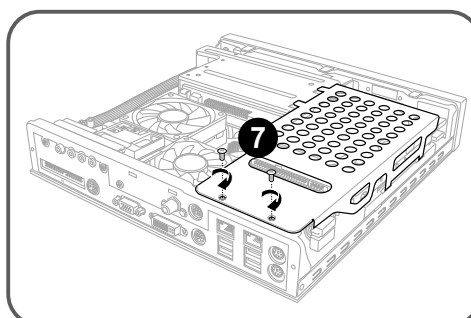
4. Place the drive on the tray. Insert the tray metal tacks into the drive screw holes (two on the side and two on the bottom).

5. Secure the drive with two side screws.

6. Replace the metal cover by aligning its side hooks with the tray rail and optical drive shield. Slide the metal cover toward the front panel until it fits in place.



7. Secure the metal cover with the screws that you removed earlier.



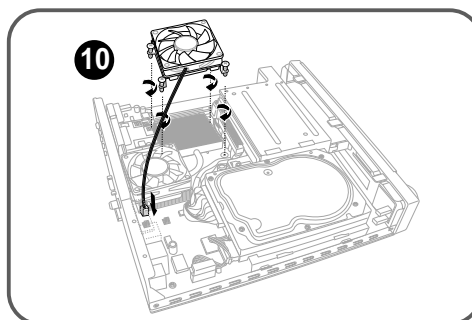
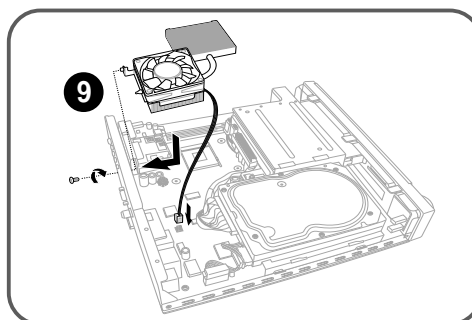
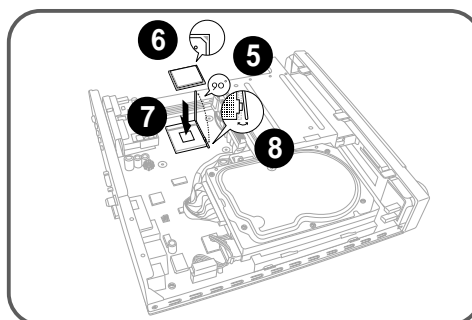
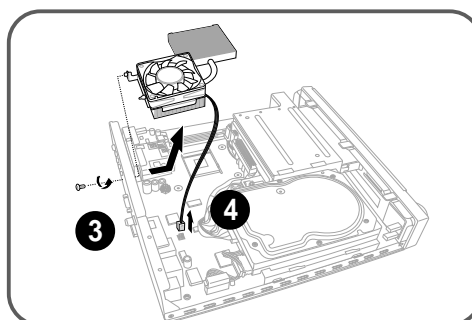
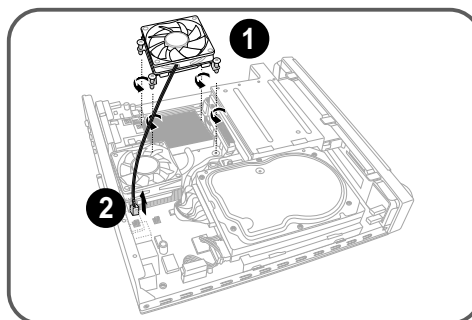
Installing a CPU

1. Loosen the CPU fan screws.
2. Disconnect the CPU fan cable from the CPU fan connector on the motherboard, then lift the CPU fan.
3. Remove the bracket screw that secures the chassis fan and heatsink assembly to the rear panel.
4. Disconnect the chassis fan cable from the chassis fan connector, then lift the chassis fan and heatsink assembly.
5. Locate the 478-pin CPU socket on the motherboard. Unlock the socket by pressing the lever sideways then lifting it up to a 90° angle.
6. Position the CPU above the socket such that its marked corner (gold mark) matches the base of the socket lever.
7. Carefully insert the CPU to the socket until it fits in place.



CAUTION! The CPU fits only in one correct orientation. DO NOT force the CPU into the socket to prevent bending the pins and damaging the CPU!

8. When the CPU is in place, push down the socket lever to secure the CPU.
9. Re-install the chassis fan and heatsink assembly.
10. Re-install the CPU fan.

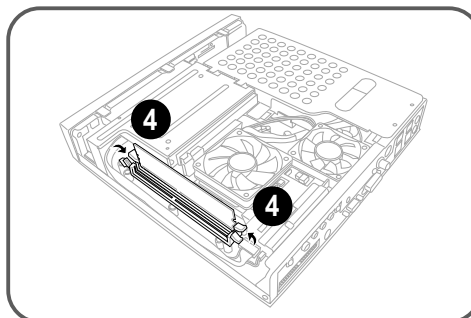
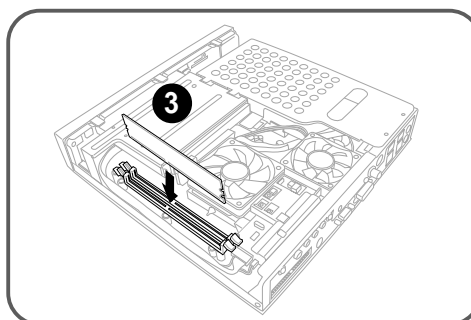
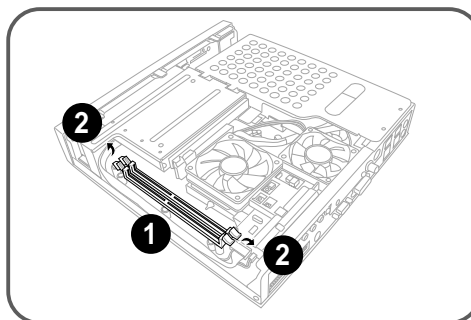


Installing a DIMM

1. Locate the two DIMM sockets on the motherboard.
2. Unlock a socket by pressing the retaining clips outward.
3. Align a DIMM on the socket such that the notch on the DIMM matches the break on the socket.
4. Firmly insert the DIMM to the socket until the retaining clips snap back in place and the DIMM is properly seated.

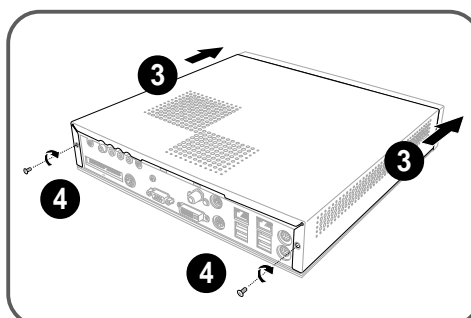
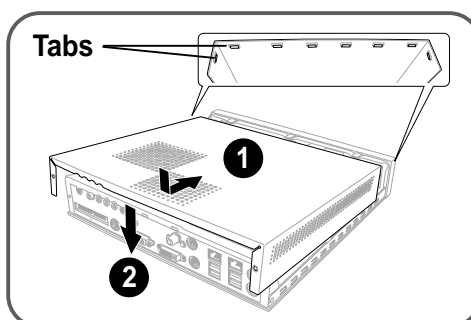


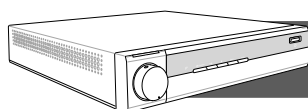
CAUTION! A DDR DIMM is keyed with a notch so that it fits in only one direction. DO NOT force a DIMM into a socket to avoid damaging the DIMM.



Replacing the top cover

1. Position the front edge of the top cover at least two inches from the front panel cover. Fit the top cover tabs with the chassis rail and the front panel cover tabs.
2. Lower the rear edge of the top cover as shown.
3. Push the top cover slightly toward the front panel until it fits in place.
4. Secure the top cover with two screws.

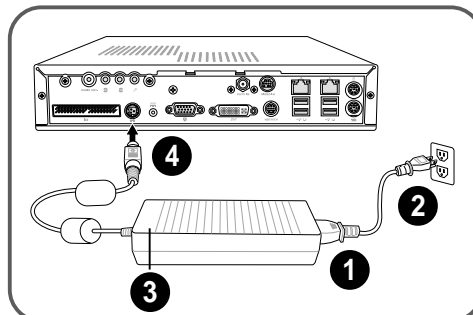




Connecting cables

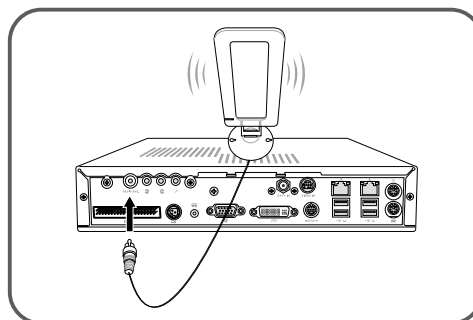
Power adapter and cable

1. Connect the power cable (female plug) to the power adapter.
2. Connect the other end of the power cable (male plug) to a power outlet.
3. Check the power adapter LED. The LED lights up to indicate that the power from the source is within the operating range.
4. Connect the DC IN power plug to the DiGiMatrix DC IN socket.



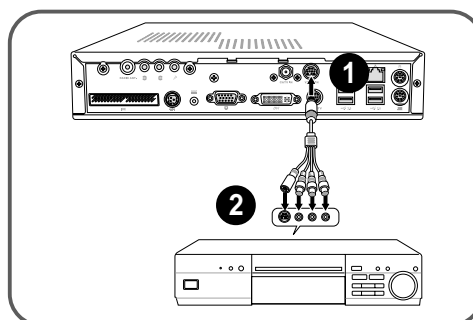
Radio antenna

Connect the radio antenna plug to the DiGiMatrix antenna port.



Audio/Video cable

1. Connect the Audio/Video cable plug to the S-Video port.
2. Connect the S-Video output plug to the S-Video port of your video cassette recorder. Connect the audio output plugs to the audio input ports of your video cassette recorder.

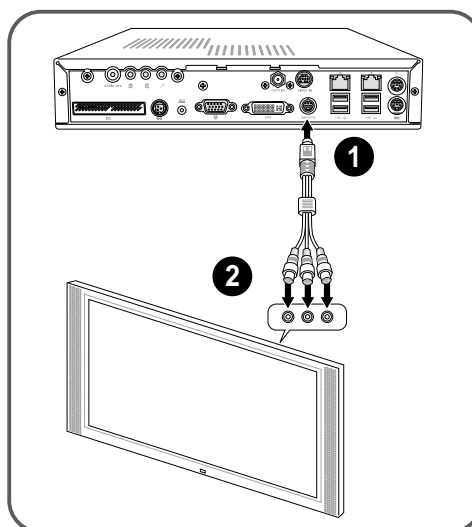


HDTV cable

1. Insert the HDTV cable plug into the HDTV port.
2. Connect the HDTV cable red, green, and blue jacks to the corresponding HDTV RCA input ports.

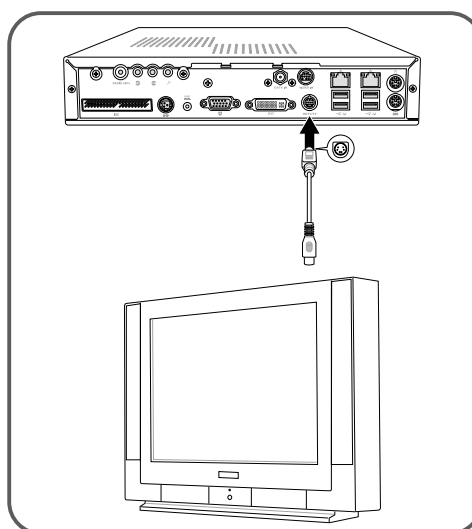


NOTE. You may also connect a regular TV set using the HDTV cable by connecting the blue jack to the video input port of the TV set. The TV set only receives video signals from the DiGiMatrix system.



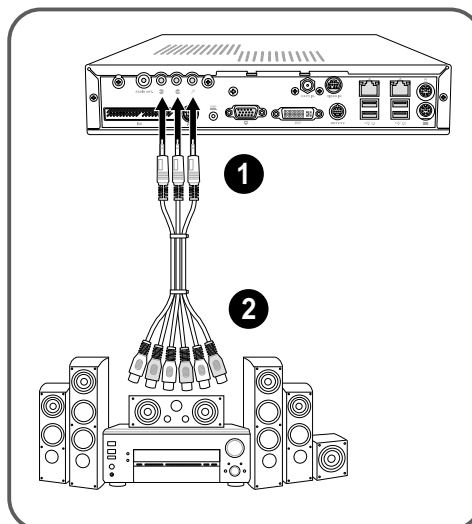
Video out cable

The video out cable connects a television set with an S-Video feature. Insert one end of the video out cable to the HDTV port. Connect the other end to the S-Video port on your TV.



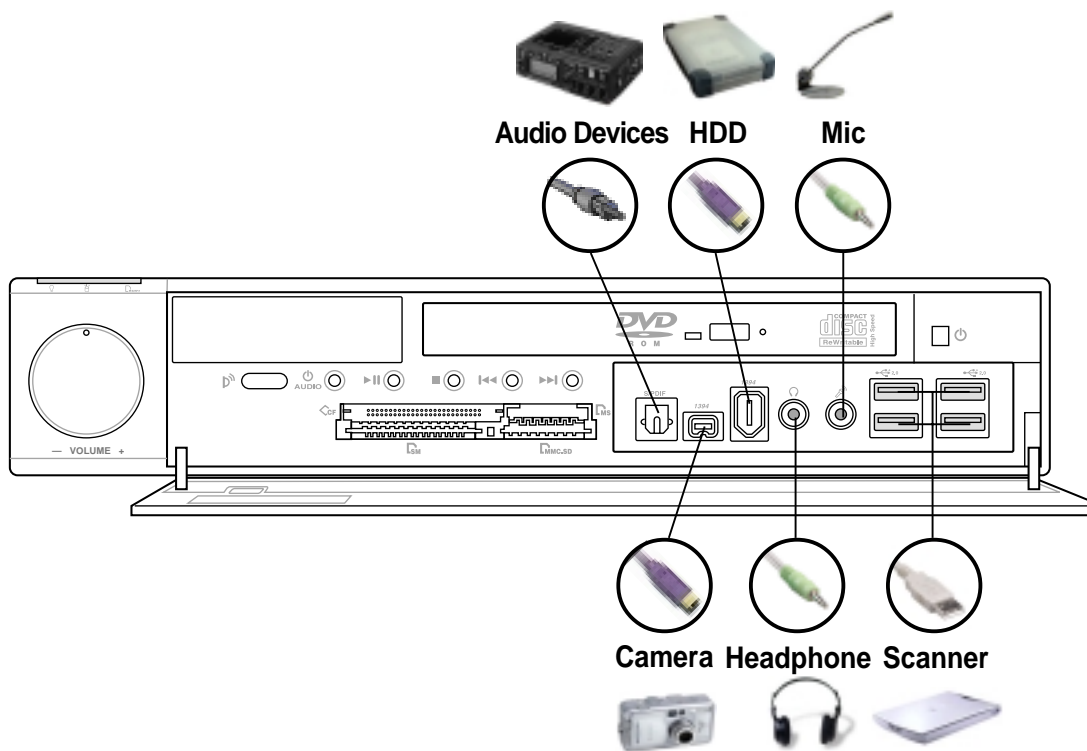
Audio out cable

1. Insert the Line In, Line Out, and Mic plugs of the audio out cable to the audio I/O ports.
2. Insert the input/output jacks of the audio out cable to the sound system input ports.

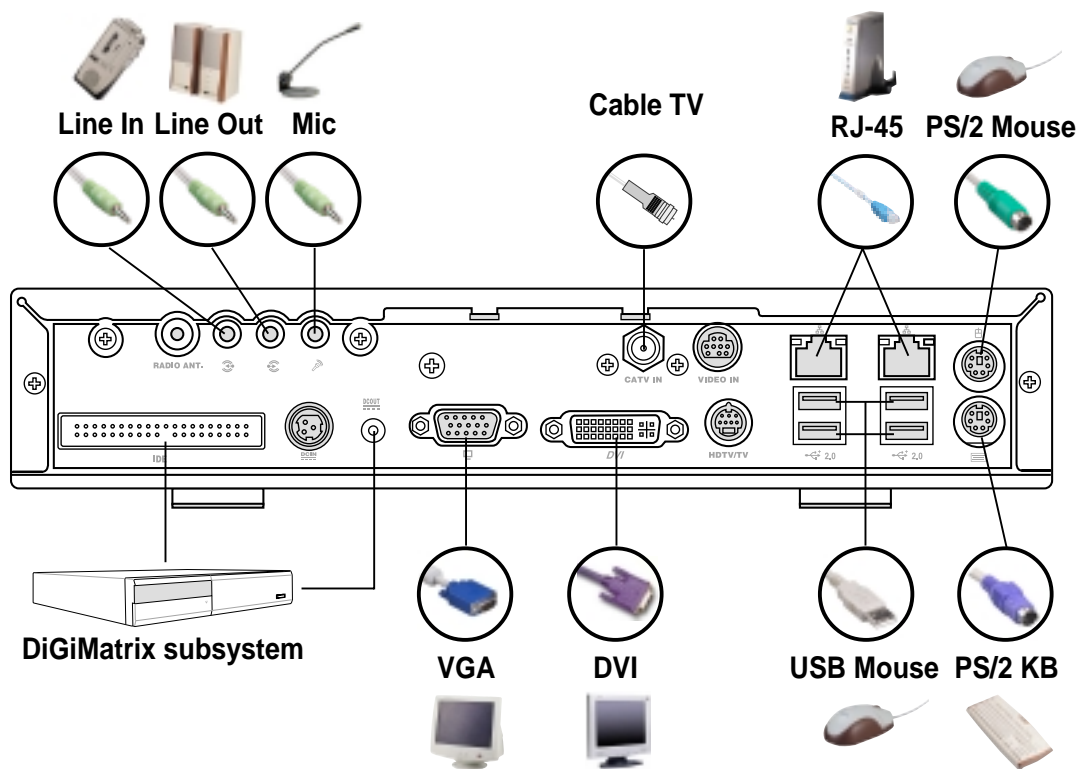


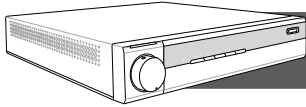
Connecting external devices

To the front panel



To the rear panel

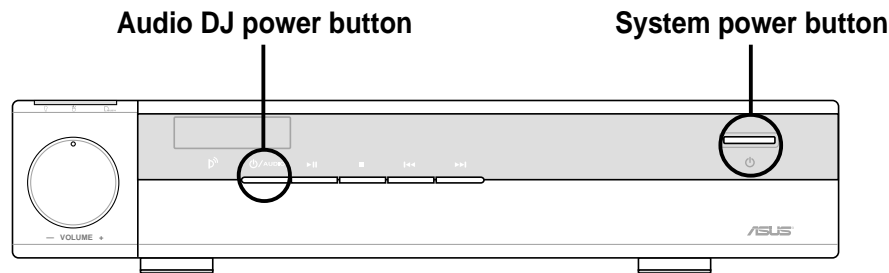




DiGiMatrix operations

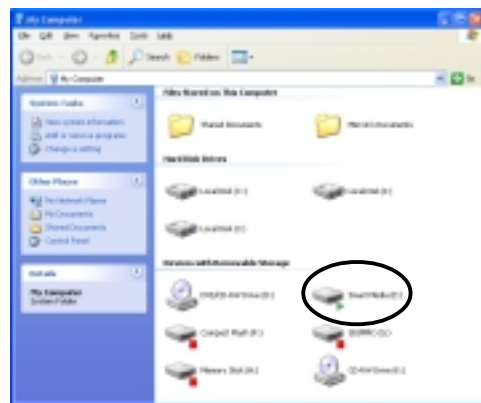
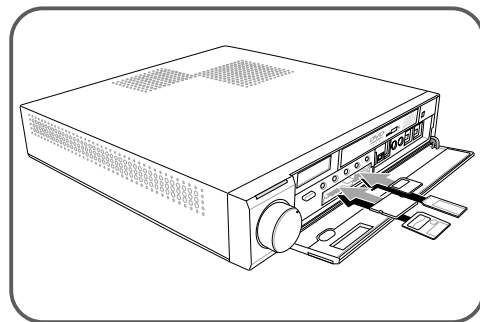
Powering up

DiGiMatrix has two power buttons located in the front panel. Press the system power button (⏻) to enter the DiGiMatrix operating system (OS). Press the Audio DJ power button (🎧/AUDIO) to turn on the DiGiMatrix Audio DJ feature.



Using the storage card reader

1. Install the **USB Card Reader Tool** from the support CD. Refer to page 15 for details.
2. Select the appropriate slot for your storage card. Insert the storage card firmly to the slot.
3. Open **My Computer** or **Windows Explorer**. A green arrow anchored on a **Removable Disk** icon indicates that the slot is in use. An idle slot is indicated by a red square.
4. Double click the **Removable Disk** icon.
5. Access files or images from your storage cards as you would open, copy, move or delete files or images from your hard disk or floppy disk.

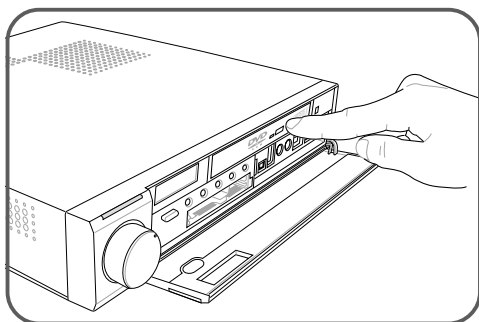


CAUTION! Do not remove a memory card when the card activity LED is lit or blinking. This may result to data loss!

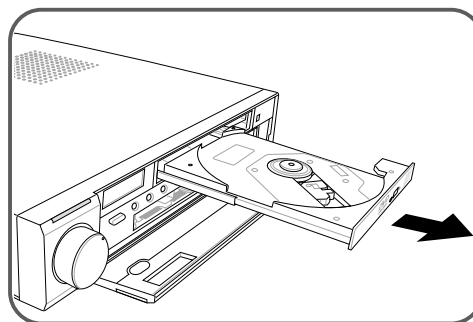


The storage card reader drivers are not included in the **Recovery CD**. If you recover your DiGiMatrix system using the Recovery CD, you must re-install the **USB Card Reader Tool** from the support CD before using the storage card reader.

Using the optical drive



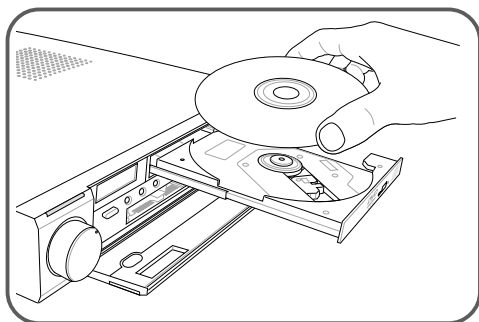
1. Press the EJECT button of the optical drive.



2. When the drive tray ejects, carefully pull it out.



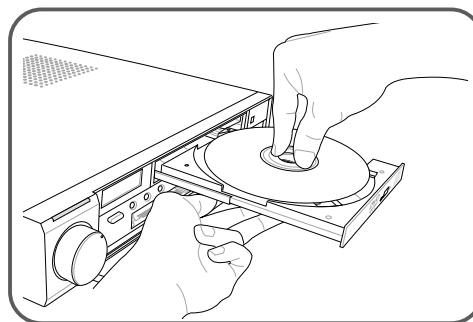
CAUTION! Avoid touching the optical drive lens. This may damage the drive.



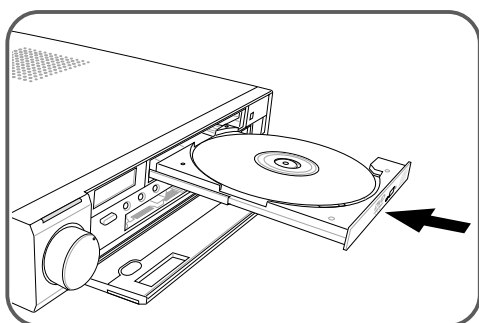
3. Place a CD/DVD on the drive tray.



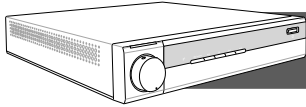
IMPORTANT. Hold a CD/DVD by the edges. Avoid touching the disc surface.



4. With one hand supporting the loading tray, push the CD/DVD hole into the drive spindle. The spindle clips snap into the hole indicating that the disc is in place.



5. Push the drive tray until it clicks in place.

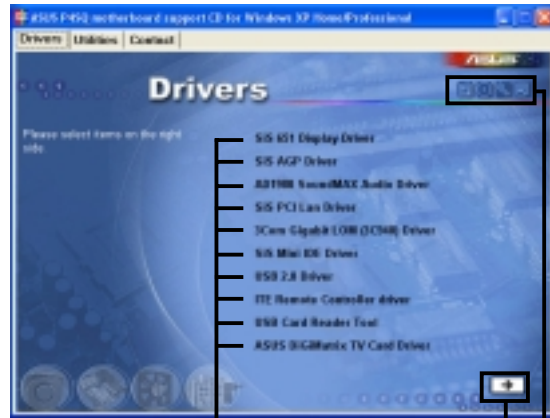


Software installation

Support CD information

Drivers

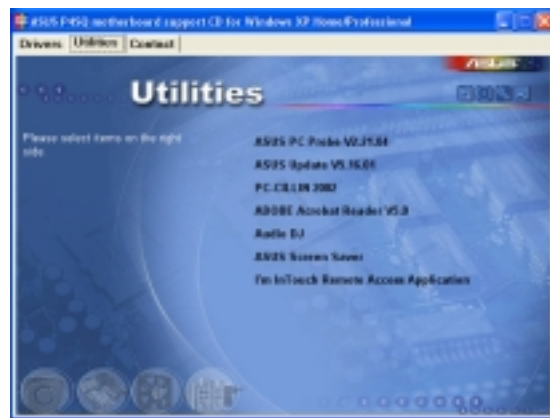
To begin using the support CD, place the CD into your CD-ROM drive. The CD automatically displays the **Drivers** menu if Autorun is enabled in your computer.



Click an item to install
Click to display additional drivers
Click an icon to display other information

Utilities

The Utilities menu shows the applications and other software that the motherboard supports.



Contact information

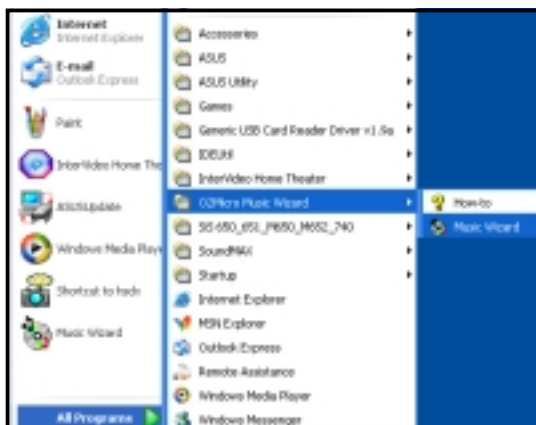
Click the Contact tab to display the ASUS contact information.



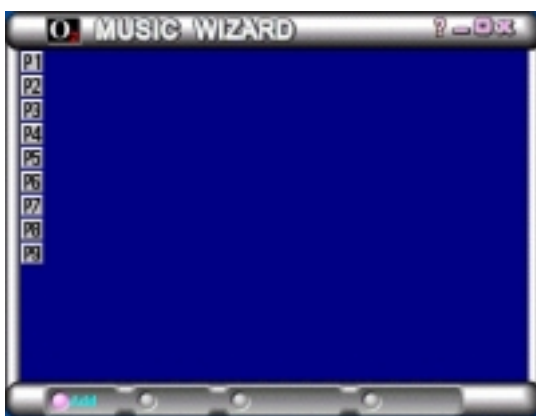
Music Wizard

The Music Wizard allows you to create and save MP3 playlists to your hard disk drive and lets you play them using the Audio DJ feature. The Music Wizard utility is included in the support CD that came with the DiGiMatrix package.

Launching Music Wizard

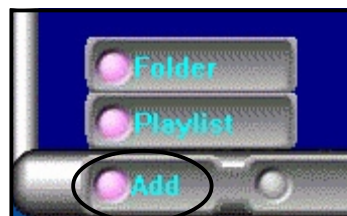


1. Launch the Music Wizard utility from the Windows® desktop by clicking **Start > All Programs > O2Micro Music Wizard > Music Wizard**.

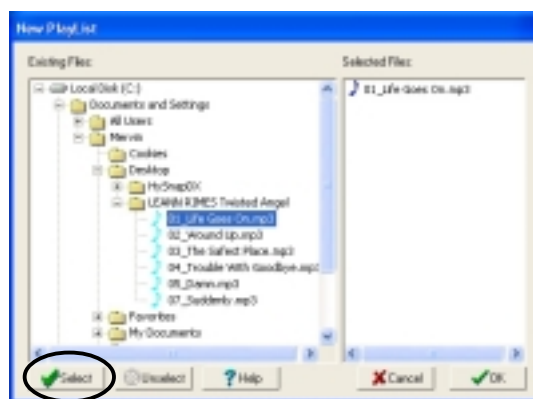


2. The Music Wizard window displays the playlists or folders (P1 to P9) and command buttons located at the bottom of the window.

Creating a Playlist or Folder



1. Click **Add** to create a playlist or folder. A New Playlist or New Folder window appears.



2. Locate the MP3 files/folders you wish to add to the playlist.
3. Select the MP3 file/folder, then click **Select** to add the file.
4. Click **OK** when done.

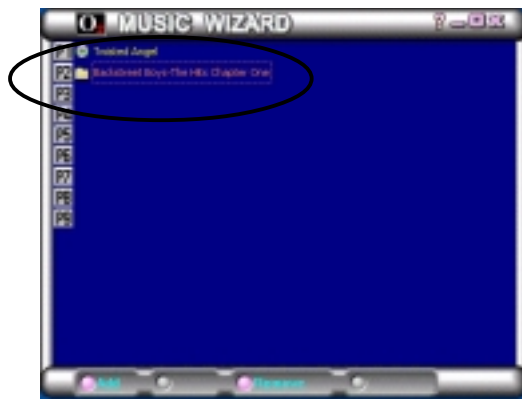


NOTE. You may also drag and drop MP3 files to the **Selected Files** window to add more files to the playlist.

Saving your playlist or folder



1. Type a file name for the playlist, then click **Save**.



2. The Music Wizard window displays the created playlist and folder.

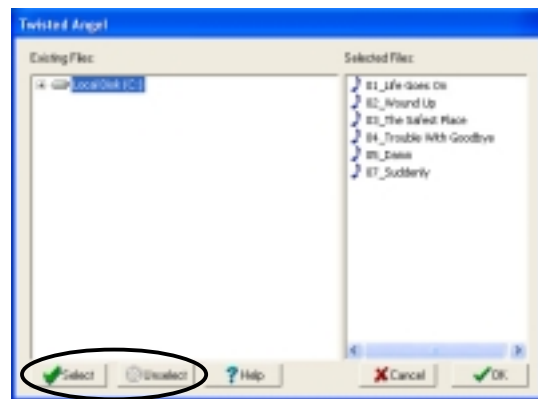


3. Click a playlist icon to view all MP3 files saved on that playlist or folder.

Editing your playlist or folder



1. Select a playlist, then click **Edit**.



2. To add a file, select the file from the **Existing Files** window, then click **Select**. Click **OK** when done.


To remove a file, select the file from the **Selected Files** window, then click **Unselect**.



3. A confirmation window appears. Click **OK** to remove the file from the playlist.

Audio DJ

Audio DJ is an application that allows you to play MP3 files from your hard disk drive, audio CD/DVD, or tune into a FM radio station without entering the DiGiMatrix operating system.

To turn on the Audio DJ feature, press the Audio DJ power button (🔊/AUDIO) located on the front panel or press the  button of the remote controller.



IMPORTANT. You must install Audio DJ from the support CD to use this feature.

```
Copyright (C) 2003, 2002, 2001, 02Micro International Ltd., All Rights Reserved.
O2MiniOS Version 4.11.0 Player Version 4.10.9
```

Hard Disk:

```
P1 : Twisted Angel
P2 : Backstreet Boys - The Hits Chapter One
P3 :
P4 :
P5 :
P6 :
P7 :
P8 :
P9 :
```

```
CD/DVD Device 1
```

```
Radio FM Device
```

```
play media : hdd mp3
```

```
Track 0001
```

```
Player Status : Playing
```




IMPORTANT. The Audio DJ feature is disabled when you disconnect the power plug and cable from the DiGiMatrix system. To enable the Audio DJ feature:

1. Connect the power plug and cable.
2. Press the system power button to turn on the system.
3. Use the Windows® shutdown procedures to turn off the system.
4. Press the Audio DJ power button to put DiGiMatrix in Audio DJ mode.

Selecting an audio source

The Audio DJ window displays the audio sources (Hard Disk, CD/DVD Device 1, and Radio FM Device), play medium, and player status.


To select an audio source:

1. Press the **STOP** (■) button until the Player Status displays **Playlist Mode**.
2. Press the **STOP** (■) button again, or the  button on the remote controller to select another audio source.

Playing MP3 files from the hard disk drive

Audio DJ displays the playlists you created using the Music Wizard utility. If you selected **Hard Disk** as audio source, the first playlist is automatically selected.

To play an MP3 playlist:

1. Press the **STOP** (■) button, or the  button on the remote controller to select a playlist.
2. Press the **PLAY/PAUSE** button to start playing the first MP3 file on the playlist.

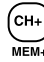
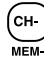
Playing an audio CD/DVD

To play an audio CD/DVD:

1. Insert an audio CD/DVD to the optical drive.
2. Select CD/DVD Device 1 as your audio source.
3. Press the **PLAY/PAUSE** button to start playing the first track of the audio CD/DVD.
4. Press the **NEXT** or the **PREVIOUS** button to skip to the next track or to return to the previous track.
5. Press **STOP** to stop playing an audio track.


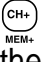
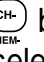
Tuning into an FM radio station

To tune into an FM station:



1. Select Radio FM Device as your audio source.
2. Scan the radio frequency by pressing the **PLAY/PAUSE** button. The scanning stops when a station is detected. The LED panel displays the radio frequency.
3. Press the **NEXT** or **PREVIOUS** button or the   buttons on the remote controller to select a preset station, if any.

Presetting a station

To preset an FM station:

1. Press the **PLAY** button to scan available radio stations.
2. After you have selected a radio station, press the **PLAY/PAUSE** button for at least 2 seconds until a preset number blinks on the LED panel. You may also press the  button on the remote controller.
3. Press the **NEXT** or **PREVIOUS** button or the   buttons on the remote controller to select a preset number (1-9) for the selected station.
4. Press the **PLAY** button to confirm the preset station.

Adjusting the volume

Adjust the volume by turning the volume dial clockwise (volume up) or counterclockwise (volume down). You may also press the  or  on the remote controller. Press the volume dial to **MUTE** sound.

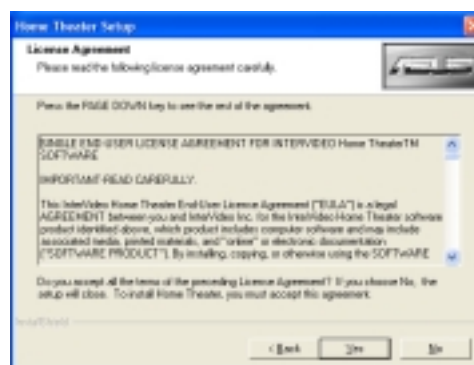
ASUS Home Theater

The ASUS Home Theater allows you to maximize the DiGiMatrix multimedia features.

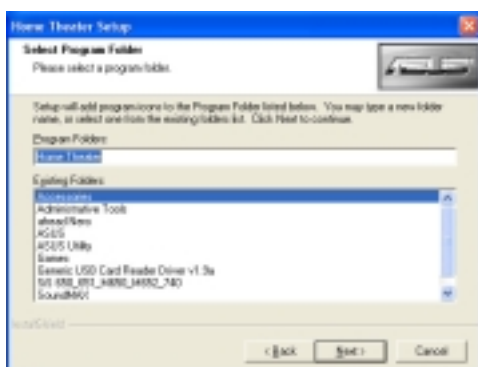
Installing ASUS Home Theater



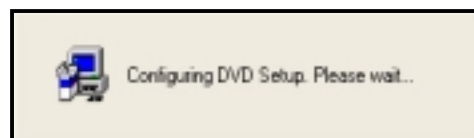
1. Place the ASUS Home Theater CD into the optical drive to start installation. The initial installation window appears. Click **Next**.



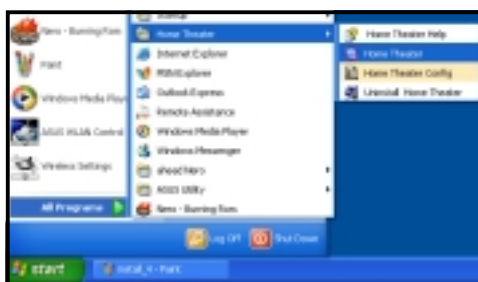
2. Read the License Agreement, then, click **Yes**.



3. When prompted, select the program folder you wish to save the ASUS Home Theater program icons. Click **Next**.



4. The Home Theater application is copied into your system. Reboot your computer after completing installation.



5. To launch the ASUS Home Theater, click **Start > All Programs > Home Theater > Home Theater**.

Using ASUS Home Theater

The ASUS Home Theater is an integrated multimedia application that allows you to watch TV, play a DVD or video clip, tune into an FM radio station, listen to audio files, or browse pictures with your DiGiMatrix system.



Mode display - Displays the current or last entertainment mode used.





Entertainment mode buttons


Mode	Functions
TV	Click this button to watch TV in your DiGiMatrix system.
Radio	Click this button to tune into an FM radio station.
Music	Select this option to play audio CD/DVD tracks, MP3 files and radio recordings in your DiGimatrix system
Pictures	View and print pictures saved in your hard disk using this mode.
Video Clips	Use this mode to view, play and organize your video clips.
DVD/VCD	Watch a movie with the ASUS Home Theater DVD/VCD player.

Setup - Click this button to display the setup window.

WWW - Click this button to open the ASUS website.

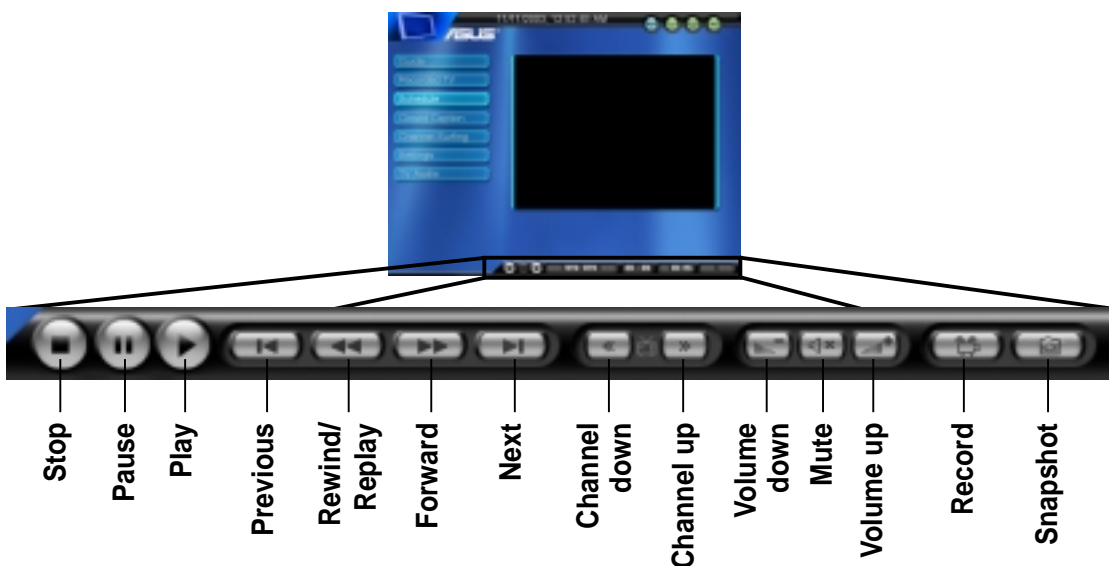
Window control buttons

-  Click to return to the previous window.
-  Click to minimize the window.
-  Click to maximize the window.
-  Click to exit Home Theater, put the system in standby mode, or shutdown the system.

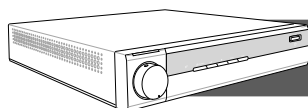
Use the control panel buttons or navigation buttons on the remote controller () to navigate through the Home Theater windows.

The control panel

Each Home Theater window is equipped with a control panel to control the entertainment modes.

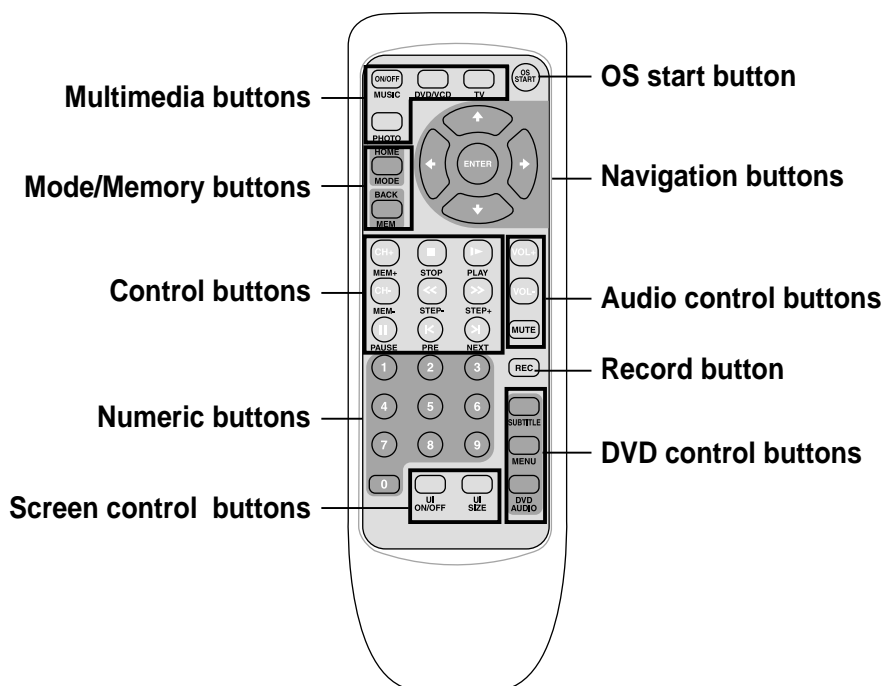


NOTE. Some control panel buttons change from one entertainment system to another.



Remote controller

Operating range	5 meters (max)
Power Source	2 x "AA" batteries
Receiver	Built-in infrared receiver



Free Manuals Download Website

<http://myh66.com>

<http://usermanuals.us>

<http://www.somanuals.com>

<http://www.4manuals.cc>

<http://www.manual-lib.com>

<http://www.404manual.com>

<http://www.luxmanual.com>

<http://aubethermostatmanual.com>

Golf course search by state

<http://golfingnear.com>

Email search by domain

<http://emailbydomain.com>

Auto manuals search

<http://auto.somanuals.com>

TV manuals search

<http://tv.somanuals.com>