

Compatibility

- DVS Insert EF II

Packing List

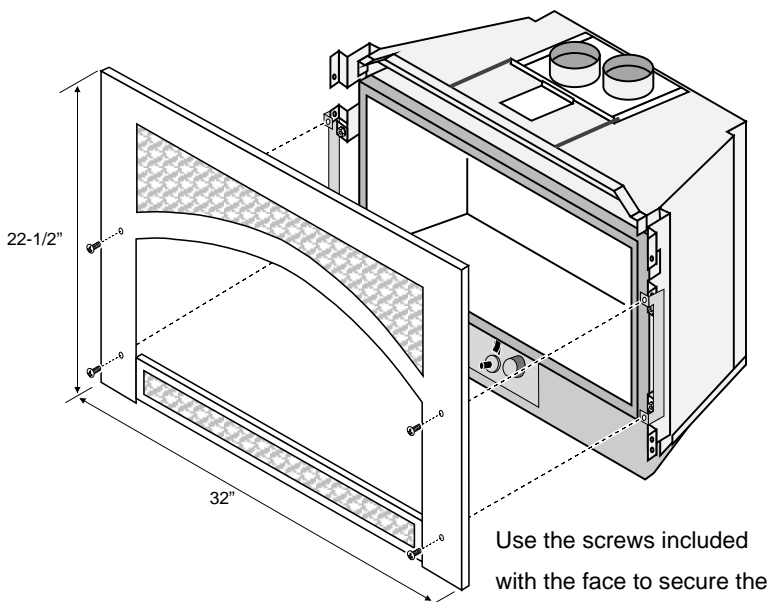
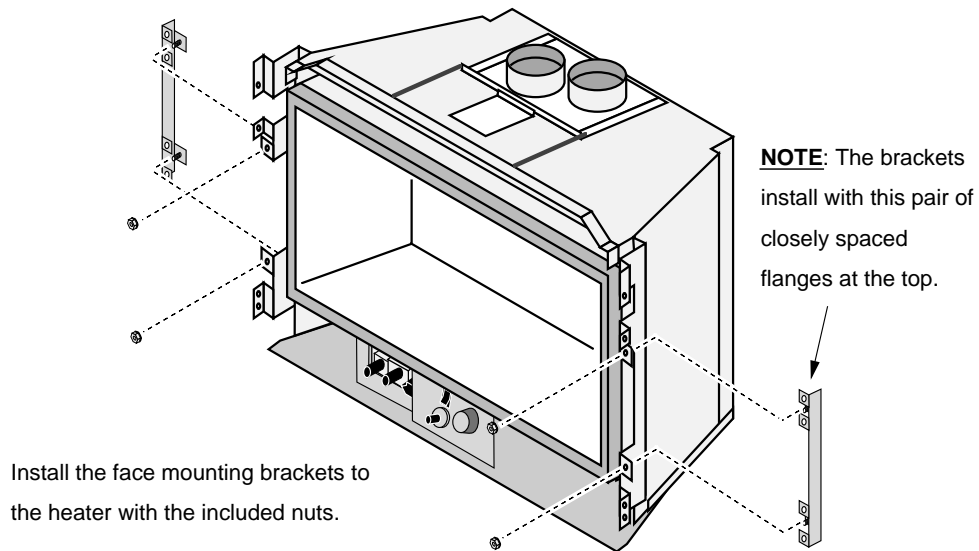
- Face
- (4) 10-24 Nuts
- Left and Right Bracket
- (4) 1/4-20 Screws

Installation



Warning:

Make sure the heater has fully cooled prior to conducting service.



WARNING: When attaching the Victorian Lace Face, **do not over-tighten the screws.** Over-tightening the screws may damage the face – simply tighten the screws until they contact the face.

Free Manuals Download Website

<http://myh66.com>

<http://usermanuals.us>

<http://www.somanuals.com>

<http://www.4manuals.cc>

<http://www.manual-lib.com>

<http://www.404manual.com>

<http://www.luxmanual.com>

<http://aubethermostatmanual.com>

Golf course search by state

<http://golfingnear.com>

Email search by domain

<http://emailbydomain.com>

Auto manuals search

<http://auto.somanuals.com>

TV manuals search

<http://tv.somanuals.com>