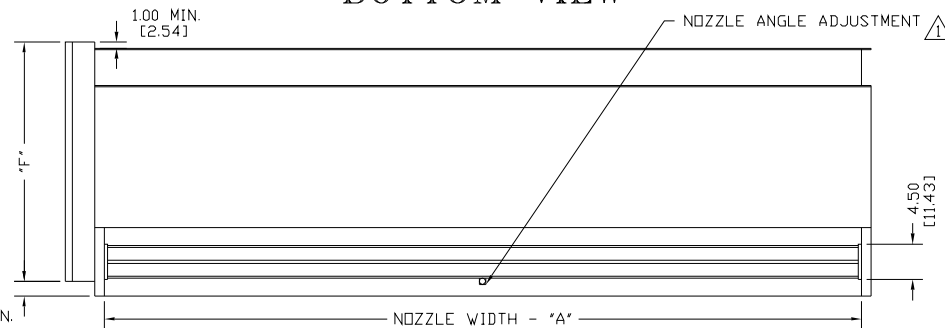
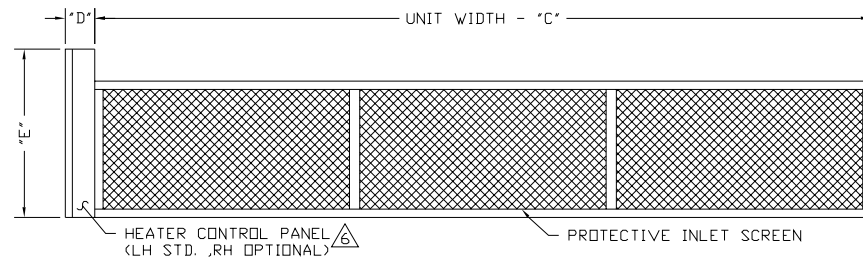
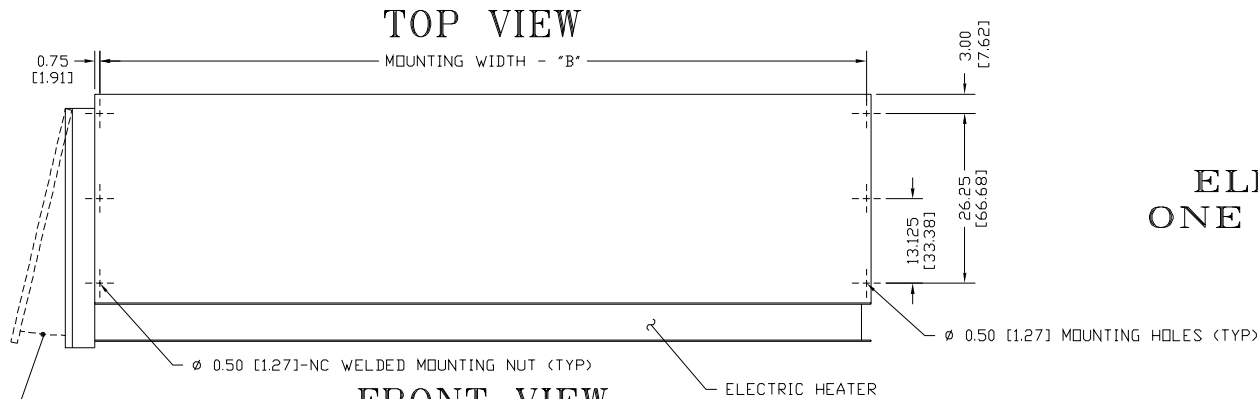
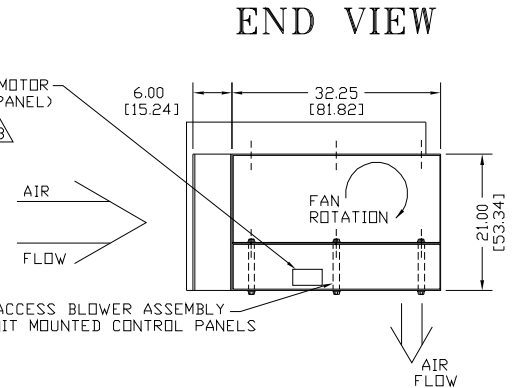


CFC ELECTRIC HEATED ONE HEATER SYSTEM



ONE JUNCTION BOX PER MOTOR (REQUIRED FOR REMOTE PANEL)
2.75 x 4.50 x 2.00
[6.99 x 11.43 x 5.08]
(RH STD. LH OPTIONAL)



SLEEVES TO ACCESS BLOWER ASSEMBLY UNDER ALL UNIT MOUNTED CONTROL PANELS

NOTES:

- 1 AIR CURTAIN MUST BE INSTALLED SO AIR STREAM IS NOT OBSTRUCTED WHEN DEFLECTED 20° TO EITHER SIDE OF Q.
- 2 ELECTRICAL CONNECTIONS TO BE FLEXIBLE.
- 3 FIELD VERIFY DIMENSIONS.
- 4 ANCHORS TO SUPPORTING STRUCTURE BY OTHERS.
- 5 ADEQUACY OF SUPPORTING STRUCTURE IS TO BE VERIFIED BY A PROFESSIONAL STRUCTURAL ENGINEER.
- 6 HEATER CONTROL PANEL SHOWN LEFT HAND, RIGHT HAND AVAILABLE, PLEASE SPECIFY.
- 7 HEATER CONTROL PANEL INCLUDES POWER FUSING, AIR FLOW SWITCH, AND CONTROL CIRCUIT TRANSFORMER.
- 8 TO INCLUDE MOTOR STARTER IN HEATER CONTROL PANEL, ADD 2.50 [6.35] TO 'E' AND ADD 2.00 [5.08] TO 'F'.
- 9 DIMENSIONS IN INCHES [CENTIMETERS].

MODEL	NOZZLE WIDTH "A"	MOUNTING WIDTH "B"	UNIT WIDTH "C"	HEATER CAPACITY (KW)	HEATER CONTROL PANEL DIMENSIONS BASED ON VOLTAGE								
					"D"			"E"			"F"		
					208V	230V	460V	208V	230V	460V	208V	230V	460V
CFC1060E	60.00 [152.40]	61.50 [156.21]	63.00 [160.02]	59	4.50 [11.43]	4.50 [11.43]	4.50 [11.43]	23.50 [59.69]	23.50 [59.69]	23.50 [59.69]	26.00 [66.04]	26.00 [66.04]	24.00 [60.96]
CFC1072E	72.00 [182.88]	73.50 [186.69]	75.00 [190.50]	65	4.50 [11.43]	4.50 [11.43]	4.50 [11.43]	23.50 [59.69]	23.50 [59.69]	23.50 [59.69]	26.00 [66.04]	26.00 [66.04]	24.00 [60.96]
CFC1084E	84.00 [213.36]	85.50 [217.17]	87.00 [220.98]	71	4.50 [11.43]	4.50 [11.43]	4.50 [11.43]	23.50 [59.69]	23.50 [59.69]	23.50 [59.69]	32.00 [81.28]	26.00 [66.04]	24.00 [60.96]
CFC1096E	96.00 [243.84]	97.50 [247.65]	99.00 [251.46]	92	4.50 [11.43]	4.50 [11.43]	4.50 [11.43]	28.50 [72.39]	23.50 [59.69]	23.50 [59.69]	35.00 [88.90]	32.00 [81.28]	24.00 [60.96]
CFC1108E	108.00 [274.32]	109.50 [278.13]	111.00 [281.94]	102	4.50 [11.43]	4.50 [11.43]	4.50 [11.43]	28.50 [72.39]	23.50 [59.69]	23.50 [59.69]	35.00 [88.90]	32.00 [81.28]	24.00 [60.96]
CFC1120E	117.00 [297.18]	118.50 [300.99]	120.00 [304.80]	124	4.50 [11.43]	4.50 [11.43]	4.50 [11.43]	34.50 [87.63]	34.50 [87.63]	23.50 [59.69]	33.00 [83.82]	33.00 [83.82]	30.00 [76.20]

PROJECT		
LOCATION		
ARCHITECT		
ENGINEER		REV. A
DWG. NO.	CFCQ3188	TITLE: BERNER
DATE	29JUN06	MODEL CFC AIR CURTAIN
BY	A. Johnston	ELECTRIC HEATED - ONE HEATER SYSTEM
REPLACES	12FEB03	
BY	B. Peffer	BERNER INTERNATIONAL CORP. NEW CASTLE, PA.

Free Manuals Download Website

<http://myh66.com>

<http://usermanuals.us>

<http://www.somanuals.com>

<http://www.4manuals.cc>

<http://www.manual-lib.com>

<http://www.404manual.com>

<http://www.luxmanual.com>

<http://aubethermostatmanual.com>

Golf course search by state

<http://golfingnear.com>

Email search by domain

<http://emailbydomain.com>

Auto manuals search

<http://auto.somanuals.com>

TV manuals search

<http://tv.somanuals.com>