

**SHREDDER KIT**

P/N 890209. *Shreds leaves, dramatically reducing total volume.*

**HOSE KITS**

*For vacuuming in hard to reach areas.*

**Heavy Duty Vacuum**

**Hose Kit P/N 900943.**

4" (102mm) x 10' (3.05m)

**Homeowners Vacuum**

**Hose Kit P/N 900942.**

4" (102mm) x 10' (3.05m)

**NOZZLE WEAR PLATES**

P/N 900810. *Extends nozzle life when used along curbs and hard surfaces.*

**STANDARD FELT**

**DEBRIS BAG P/N**

900803. *Standard on KD models. For dusty conditions.*

**OPTIONAL DEBRIS BAGS**

**TURF DEBRIS BAG**

P/N 900806 *For use in leaves and grass in non-dusty conditions.*

**HEAVY DUTY DEBRIS BAG**

P/N 900798 *Reinforced lower panel.*

**DEBRIS BAG COVER**

P/N 900801 *Directs dust downward, away from operator.*

**BAG SUPPORT KIT**

P/N 900645 *Extends bag life by keeping bag from dragging ground.*

**ZIPPERLESS BAG**

P/N 890221 *For non dusty conditions that are damaging to zippers.*

**SLOW DOWN KIT**

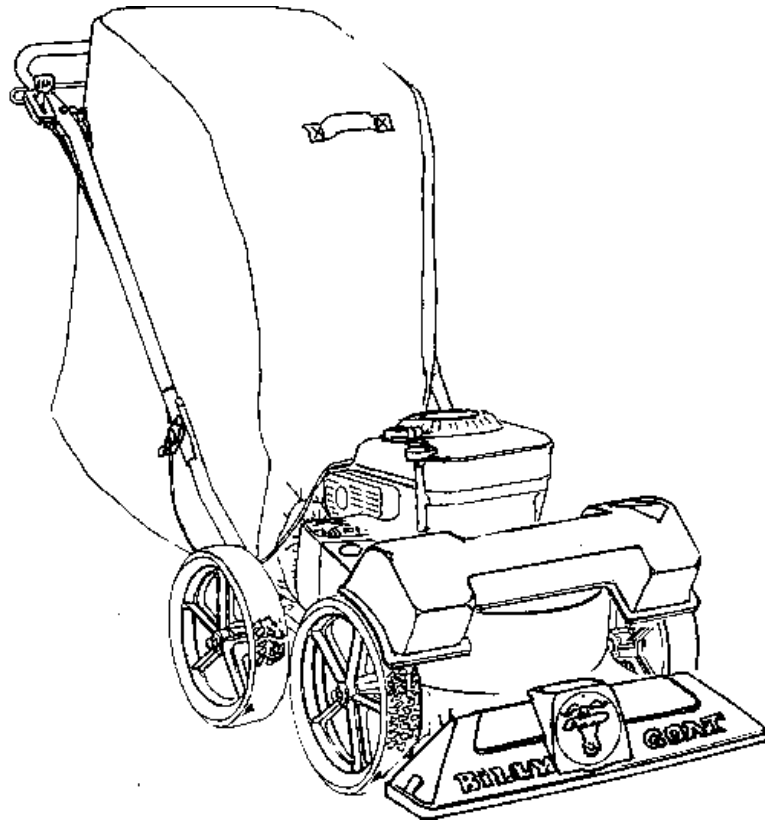
P/N 890216

*Reduces ground speed for KDSP vacuums.*

*Now standard on KDSP.*



CE 95



*Thank You for Selecting*

**The Powerful KD SELF-PROPELLED VACUUM**

**Operator Owner's Manual**

**KD502SPQ**

**Specifications**

	<b>KD502SPQ</b>
ENGINE: H.P.	5 (3.73 kW)
ENGINE: TYPE	B&S QUANTUM
ENGINE: FUEL CAP.	1.5 qt. (1.4 L)
ENGINE: OIL CAP.	0.63 qt. (0.6 L)
WEIGHT: UNIT	117# (53.1 kg)
WEIGHT: SHIPPING	140# (63.5 kg)
ENGINE WEIGHT:	25.25# (11.45 kg)

5

# IN THE INTEREST OF SAFETY



**BEFORE STARTING ENGINE, READ AND UNDERSTAND THE "ENTIRE OPERATOR'S MANUAL & ENGINE MANUAL."**



**THIS SYMBOL MEANS WARNING OR CAUTION. DEATH, PERSONAL INJURY AND/OR PROPERTY DAMAGE MAY OCCUR UNLESS INSTRUCTIONS ARE FOLLOWED CAREFULLY.**

## WARNING: DO NOT

1. **DO NOT** run engine in an enclosed area. Exhaust gases contain carbon monoxide, an odorless and deadly poison.

2. **DO NOT** place hands or feet near moving or rotating parts.

3. **DO NOT** store, spill or use gasoline near an open flame, or devices such as a stove, furnace, or water heater which use a pilot light or devices which can create a spark.

4. **DO NOT** refuel indoors where area is not well ventilated. Outdoor refueling is recommended.

5. **DO NOT** fill fuel tank while engine is running. Allow engine to cool for 2 minutes before refueling. Store fuel in approved safety containers.

6. **DO NOT** remove fuel tank cap while engine is running.

7. **DO NOT** operate engine when smell of gasoline is present or other explosive conditions exist.

8. **DO NOT** operate engine if gasoline is spilled. Move machine away from the spill and avoid creating any ignition until the gasoline has evaporated.

9. **DO NOT** transport unit with fuel in tank.

10. **DO NOT** smoke when filling fuel tank.

11. **DO NOT** choke carburetor to stop engine. Whenever possible, gradually reduce engine speed before stopping.

12. **DO NOT** run engine at excessive speeds. This may result in injury & /or damage to unit.

13. **DO NOT** tamper with governor springs, governor links or other parts which may change the governed engine speed.

14. **DO NOT** tamper with the engine speed selected by the engine manufacturer.

15. **DO NOT** check for spark with spark plug or spark plug wire removed. Use an approved tester.

16. **DO NOT** crank engine with spark plug removed. If engine is flooded, place throttle in "FAST" position and crank until engine starts.

17. **DO NOT** strike flywheel with a hard object or metal tool as this may cause flywheel to shatter in operation. Use proper tools to service engine.

18. **DO NOT** operate engine without a muffler. Inspect periodically and replace, if necessary. If engine is equipped with muffler deflector, inspect periodically and replace, if necessary, with correct deflector.

19. **DO NOT** operate engine with an accumulation of grass, leaves, dirt or other combustible material in the muffler area.

20. **DO NOT** use this engine on any forest covered, brush covered, or grass covered unimproved land unless a spark arrester is installed on the muffler. The arrester must be maintained in effective working order by the operator. In the State of California the above is required by law (Section 4442 of the California Public Resources Code). Other states may have similar laws. Federal laws apply on federal lands.

21. **DO NOT** touch hot muffler, cylinder, or fins because contact may cause burns.

22. **DO NOT** run engine without air cleaner or air cleaner cover.

23. **DO NOT** operate during excessive vibration!

24. **DO NOT** leave machine unattended while in operation.

25. **DO NOT** park machine on a steep grade or slope.

## WARNING: DO

1. **ALWAYS DO** remove the wire from the spark plug when servicing the engine or equipment TO PREVENT ACCIDENTAL STARTING.

2. **DO** keep cylinder fins and governor parts free of grass and other debris which can affect engine speed.

3. **DO** pull starter cord slowly until resistance is felt. Then pull cord rapidly to avoid kickback and prevent hand or arm injury.

4. **DO** examine muffler periodically to be sure it is functioning effectively. A worn or leaking muffler should be repaired or replaced as necessary.

5. **DO** use fresh gasoline. Stale fuel can gum carburetor and cause leakage.

6. **DO** check fuel lines and fittings frequently for cracks or leaks. Replace if necessary.

7. **Follow** engine manufacturer operating and maintenance instructions.

8. **Inspect** machine and work area before starting unit.

## 6 TABLE OF CONTENTS

SAFETY INSTRUCTIONS	2
GENERAL SAFETY	3
ASSEMBLY	3
PARTS BAG & CONTROLS	4
LABELS	4
OPERATION	5 - 7
MAINTENANCE	8 - 9
PARTS DRAWING & LIST	10 - 12
TROUBLESHOOTING	12
WARRANTY PROCEDURE	12

Part No. 890257

7

## SOUND

**96**

### SOUND TESTS

Sound tests conducted were in accordance with 79/113/EEC and were performed on 05/20/94 under the conditions listed:

GENERAL CONDI- Sunny  
TION:

**109**

TEMPERATURE: 70 °F (21.1 °C)

WIND SPEED: 3 MPH (4.8 kmh)

WIND DIRECTION: N. W.

HUMIDITY: 58 %

OPERATOR

BAROMETRIC PRESSURE: 30.1" Hg (765mm Hg)

8

## VIBRATION

VIBRATION LEVEL 2.7g  
Vibration levels at the operators handles were measured in the vertical, lateral, and longitudinal directions using calibrated vibration test equipment. Tests were performed on 05/20/94 under the conditions listed:  
GENERAL CONDI- Sunny  
TION:

TEMPERATURE: 70 °F (21.1 °C)

WIND SPEED: 3 MPH (4.8 kmh)

WIND DIRECTION: N. W.

HUMIDITY: 58 %

BAROMETRIC PRESSURE: 30.1" Hg (765mm Hg)

Page 2 of 12

Form No. F021695H

# 9 GENERAL SAFETY

For your safety and the safety of others, these directions should be followed:

Do not operate this machine without first reading owner's manual and engine manufacturer's manual.

Use of Ear Protection is recommended while operating this machine.

Use of Eye and Breathing protection is recommended when using this machine, especially in dry and dusty conditions. Optional bag cover directs dust toward ground, away from the operator.

- DO NOT place hands or feet inside nozzle intake opening, near debris outlet or near any moving parts.
- DO NOT start engine without debris bag and quick disconnect connected firmly in place to exhaust outlet.
- DO NOT start or operate machine with debris bag zipper open.

- DO NOT operate during excessive vibration.
- DO NOT remove bag until engine has been turned off and has come to a complete stop.
- DO NOT remove hose kit cap on nozzle until engine has been turned off and has come to a complete stop.
- DO NOT operate machine with hose cap, bag or hose removed.
- DO NOT use this machine for vacuuming **exclusively** sand, dust, fine dirt, rock, glass, string like material, grain, rags, cans, metal, bark or water.
- DO NOT operate this machine on slopes greater than 20%.
- DO NOT pick up any hot or burning debris, or any toxic or explosive material.
- DO NOT allow children to operate this equipment.

GENERAL SAFETY & ASSEMBLY 3

# 10 ASSEMBLY

Read all safety and operating instructions before assembling or starting this unit.

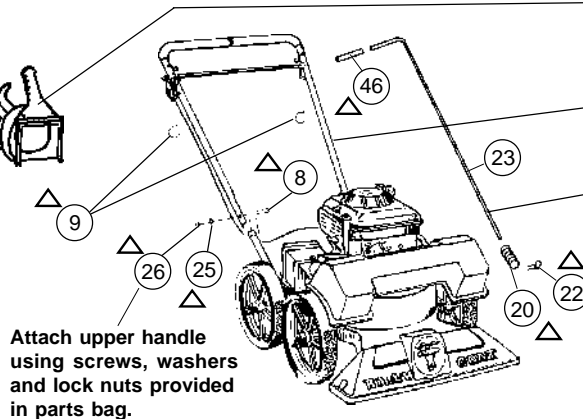
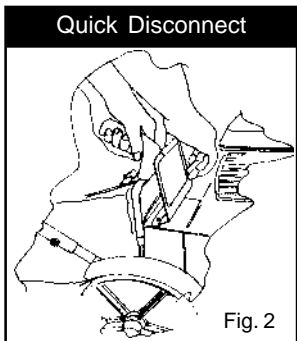
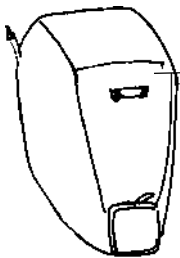
PUT OIL IN ENGINE BEFORE STARTING.

Your Billy Goat is shipped from the factory in one carton, completely assembled except for the debris bag, upper handle, height adjustment rod and bag quick disconnect.

1. **ASSEMBLE** upper handle securely to lower handle stubs using handle screws (item 8), washers (item 25) and nut lock 5/16-18 (item 26), with screw heads facing inward toward debris bag. Otherwise, premature bag wear could result.
2. **ASSEMBLE** height adjustment rod (item 23), thru eye bolt (item 15), on upper handle and thru upper flange of height adjustment bracket (item 18), thru spring (item 20), and thru lower flange of height adjustment bracket (item 18). Insert pin (item 22), between spring and lower flange of height adjustment bracket (see VIEW A on page 10). Slide grip (item 46), onto upper end of height adjustment rod (item 23).
3. **UNFOLD** the debris bag (item 1) and fasten bag neck to bag quick disconnect (item 12). Attach firmly to housing exhaust (item 52) see fig. 2.
4. **ATTACH** bag hanger straps to loops (item 11), preassembled to upper handle.
5. **ATTACH** throttle assy. (item 2), to handle using cable clamps (item 9).
6. **CONNECT** spark plug wire.

# 11 PACKING CHECKLIST

These items should be included in your carton. If any of these parts are missing, contact your dealer.



Attach upper handle using screws, washers and lock nuts provided in parts bag.

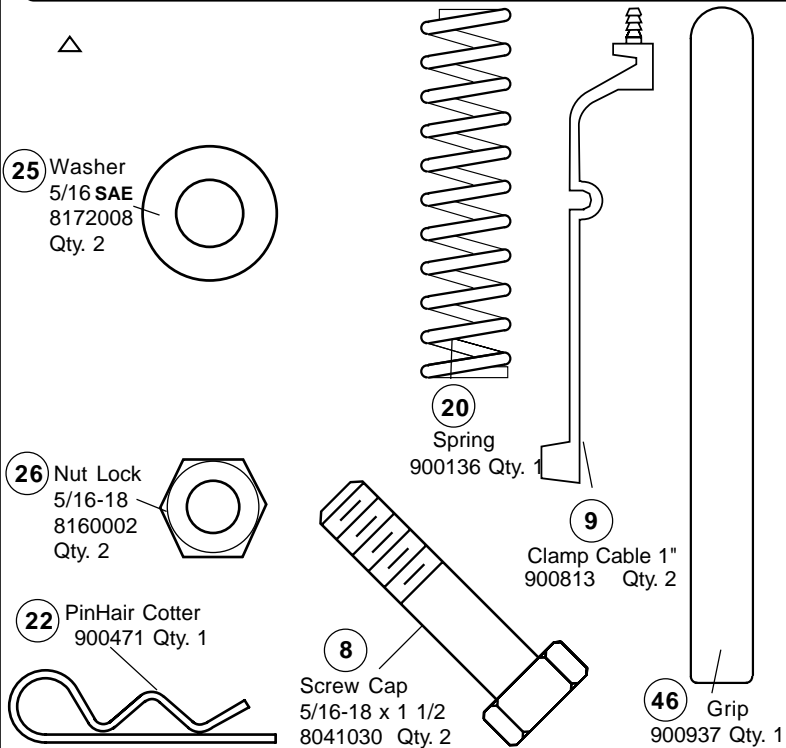
**Parts Bag & Literature Assy**

**Engine Manual**

<input type="checkbox"/>	Check	<b>Debris Bag 900802</b>
<input type="checkbox"/>	Check	<b>Connector Quick Disconnect 890176</b>
<input type="checkbox"/>	Check	<b>Handle Assy 900967</b>
<input type="checkbox"/>	Check	<b>Rod Height Adj. 900978</b>
<i>Per Model</i>		
<input type="checkbox"/>	Check	<b>Parts Bag &amp; Literature Assy 900968</b>
<input type="checkbox"/>	Check	<b>Briggs &amp; Stratton P/N 272262 English</b>

Denotes parts found in Parts Bag Assembly (shown on page 4).

PARTS BAG ASSEMBLY CHECKLIST P/N 900974



Literature Checklist	
Owner's Manual	<input type="checkbox"/> Check
Literature Parts Bag	<input type="checkbox"/> Check
Literature KD/TKD Accessories	<input type="checkbox"/> Check
Warranty Card	<input type="checkbox"/> Check
EU Declaration of Conformity & EU Distributor List	<input type="checkbox"/> Check

Owner's Manual 890257
Literature Parts Bag 890258
Literature KD/TKD Accessories 900713
Warranty Card 400972
EU Declaration of Conformity & EU Distributor List 890266

Throttle Control

Start position

Briggs engines have a primer button carburetor rather than choke type carburetor.



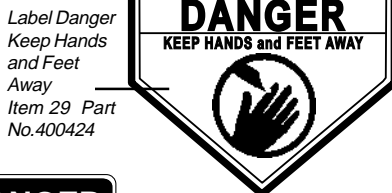
Stop position

PARTS BAG & CONTROLS & LABELS 4

These labels should be included on your Vacuum. If any of these labels are damaged, replace them before putting this equipment into operation. Item and part numbers are given to help in ordering replacement labels..



Label Do Not Fill While Engine Is Hot Item 63 Part No.400268



Label Danger Keep Hands and Feet Away Item 29 Part No.400424



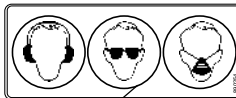
Label Read Owner's Manual Item No. 123 Part No. 890301



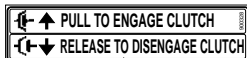
Label Danger Flying Material Item 62 Part No.810736



Label Warning Guards Item 100 Part No.900327



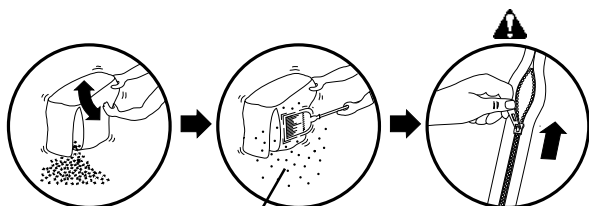
Label Ear Eye Breathing Item No. 37 Part No. 890254



Label Clutch Item No. 99 Part No. 900328



Label Oil Chain Item No. 45 Part No. 830502



Debris Bag Label item 1

Briggs & Stratton



**INTENDED USE:** This machine is designed for vacuuming leaves, grass clippings and other types of organic litter. Debris mixed with cans, bottles and small amounts of sand can be vacuumed; however, it is not this machine's primary purpose. Vacuuming cans, bottles and sand will affect the longevity of your machine.

Do not operate if excessive vibration occurs. If excessive vibration occurs, shut engine off immediately and check for damaged or worn impeller, loose impeller bolt, loose impeller key, loose engine or lodged foreign objects. Note: See parts list for proper impeller bolt torque specifications. (See trouble shooting section on page 12).



Like all mechanical tools, reasonable care must be used when operating machine.

**Inspect machine work area and machine before operating. Make sure that all operators of this equipment are trained in general machine use and safety.**



**PUT OIL IN ENGINE BEFORE STARTING.**

16.1

## STARTING



**ENGINE:** See engine manufacturer's instructions for type and amount of oil and gasoline used. Engine must be level when checking and filling oil and gasoline.

**ENGINE SPEED:** Controlled by throttle lever on the handle. Under normal conditions, operate at minimum throttle to accomplish your current cleaning task.

**FUEL VALVE:** Move fuel valve to "ON" position (when provided on engine).

**CHOKE:** See Primer.

**PRIMER:** Push primer per engine instructions.

**THROTTLE:** Move remote throttle control to fast position. Pull starting rope to start engine.

**IF YOUR UNIT FAILS TO START:**

See Troubleshooting on page 12.

16.2

## VACUUMING OPERATION

**VACUUM NOZZLE HEIGHT ADJUSTMENT:** is raised and lowered by lifting slightly upward on handle and up on height adjustment rod located at left side of handle. The nozzle height can be adjusted during operation without stopping.

**FOR MAXIMUM PICKUP:** Adjust nozzle close to debris, but without blocking airflow into the nozzle. *NOTE:* Never bury nozzle into debris.


### CLEARING A CLOGGED NOZZLE

**& EXHAUST:** Turn engine off and wait for impeller to stop completely and disconnect spark plug wire.

Wearing durable gloves, remove clog. **Danger**, the clog may contain sharp materials. Reconnect spark plug wire.



**Debris bags are normal replaceable wear items.**

 **Note:** Frequently empty debris to prevent bag overloading with more weight than you can lift.

An optional bag and dust cover is available for use where debris will be vacuumed in dusty conditions (see **Optional Accessories shown on page 1.**)

**DO NOT place bag on or near hot surface**, such as engine. Run engine at 1/2 throttle for first 1/2 hour to condition new bag. Your new bag requires a break-in period to condition the pores of the material against premature blockage. The entire bag surface serves as a filter, and must be able to breathe to have good vacuum performance. Be sure engine has come to a complete stop before removing or emptying bag.

**This vacuum is designed for picking up trash, organic material and other similar debris** (see Safety Warnings page 2-3). However, many vacuums are used where dust is mixed with trash. Your unit can intermittently vacuum in dusty areas. Dust is the greatest cause of lost vacuum performance. However, following these rules will help maintain your machine's ability to vacuum in dusty conditions:

- Run machine at idle to quarter throttle.
- The debris bag must be cleaned more frequently. A vacuum with a clean, pillow soft bag will have good pickup performance. One with a dirty, tight bag will have poor pickup performance. If dirty, empty debris and vigorously shake bag free of dust.
- Machine or pressure-wash debris bag if normal cleaning does not fully clean bag. Bag should be thoroughly dry before use.

*Having one or more spare debris bags is a good way to reduce down time while dirty bags are being cleaned.*

- DO NOT** leave debris in bag while in storage.

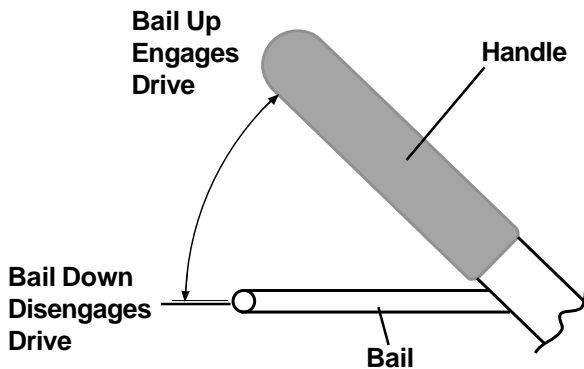
## 16.6

## PROPULSION

This vacuum is self-propelled. To engage the drive, lift operator's bail against operator's handle. The drive is disengaged by releasing the operator's bail.

**GROUND SPEED** can be varied by applying slight downward pressure to handle during operation (to allow drive wheels partial slippage) or by changing the engine rpm.

For improved control in confined areas, this machine can be freewheel pushed forward or backward by releasing the operator's bail and pushing machine.



## 16.4

## HANDLING &amp; TRANSPORTING:

Using two people to lift machine is recommended. Lift holding the handle and front of nozzle. Secure in place during transport.

## 16.5

## STORAGE

⚠ Never store engine indoors or in enclosed poorly ventilated areas with fuel in tank, where fuel fumes may reach an open flame, spark or pilot light, as on a furnace, water heater, clothes dryer or other gas appliance.

**If engine is to be unused for 30 days or more, prepare as follows:**

⚠ Be sure engine is cool. Do not smoke. Remove all gasoline from carburetor and fuel tank to prevent gum deposits from forming on these parts and causing possible malfunction of engine. Drain fuel outdoors, into an approved container, away from open flame. Run engine until fuel tank is empty and engine runs out of gasoline.

**NOTE:** Fuel stabilizer (such as Sta-Bil) is an acceptable alternative in minimizing the formation of fuel gum deposits during storage. Add stabilizer to gasoline in fuel tank or storage container. Always follow mix ratio found on stabilizer container. Run engine at least 10 min. after adding stabilizer to allow it to reach the carburetor.

⚠ Do not store with debris in bag.



Use only a qualified mechanic for any adjustments, disassembly or any kind of repair .



**WARNING: TO AVOID PERSONAL INJURY, ALWAYS TURN MACHINE OFF, MAKE SURE ALL MOVING PARTS COME TO A COMPLETE STOP.**



**DISCONNECT SPARK PLUG WIRE BEFORE SERVICING UNIT.**



ENGINE: See engine manufacturer operator's instructions.

**DEBRIS BAG:** See page 6.



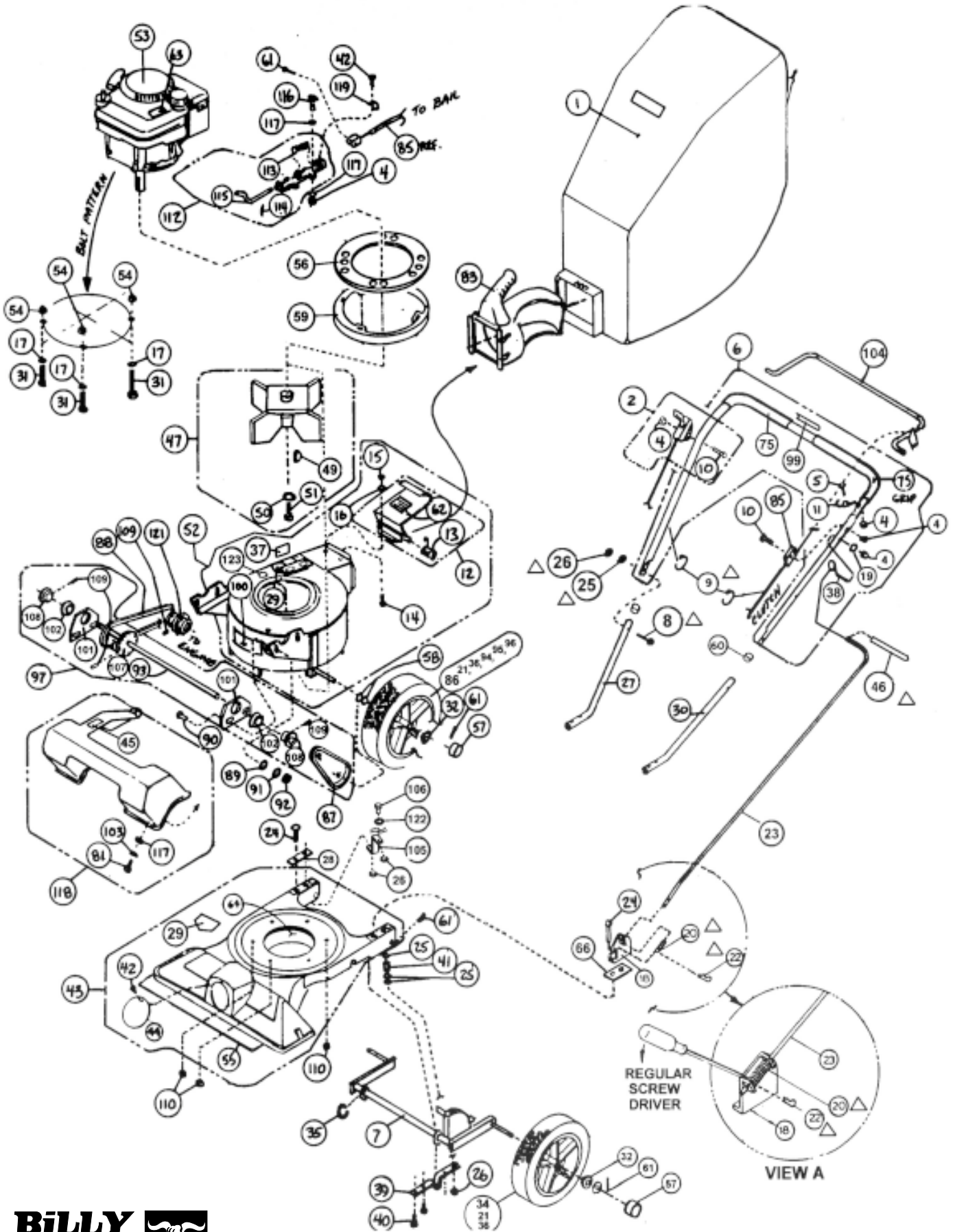
**RECONNECT SPARK PLUG WIRE, GUARDS, BAG, CAPS AND / OR HOSE BEFORE STARTING ENGINE.**

## IMPELLER REMOVAL

1. Wait for engine to cool and disconnect spark plug.
2. Drain fuel and oil from the engine.
3. Remove bag, quick release, upper handle and clutch cable from upper handle. Do not kink, stretch, or break control cables, control housings, or end fittings while removing handles.
4. Remove chain guard, chains and jackshaft assembly (see page 9, Drive Chain).
5. Invert and support machine with engine not touching ground to prevent damage to recoil starter.
6. Disassemble housing by removing six (6) lock nuts and washers from nozzle frame, (2 are inside of nozzle opening).
7. Remove impeller bolt and lock washer.
8. Lift impeller upward. If impeller slides freely, proceed to (step 11).
9. Place two crowbars between impeller and housing on opposite sides. Pry impeller away from engine until it loosens. *Using a penetrating oil can help loosen a stuck impeller.*
10. If the impeller does not loosen, obtain a 1" (25.4mm) longer bolt of the same diameter and thread type as the impeller bolt. Thread longer bolt by hand into the crankshaft until bolt bottoms. Using a suitable gear or wheel puller against the bolt head and the impeller back-plate (near the blades), remove impeller from shaft.
11. Remove engine mounting screws, bolts, and nuts as required.
12. When impeller is free of the engine shaft, lift impeller and housing assembly off engine. Align impeller with opening, and diagonally lift impeller out of housing.
13. Using a new impeller bolt and lockwasher, reinstall new impeller in reverse order.
14. Tighten impeller bolt. Torque impeller bolt to 50 Ft. Lbs. (68 N.m) (see item 51 on page 11).
15. Reinstall engine onto housing in reverse order of removal.
16. Invert machine back onto all 4 wheels.
17. Reinstall jackshaft assembly components onto housing in reverse order of removal, properly tighten chains and adjust clutch (see Drive on page 9).
18. Reinstall spark plug wire.





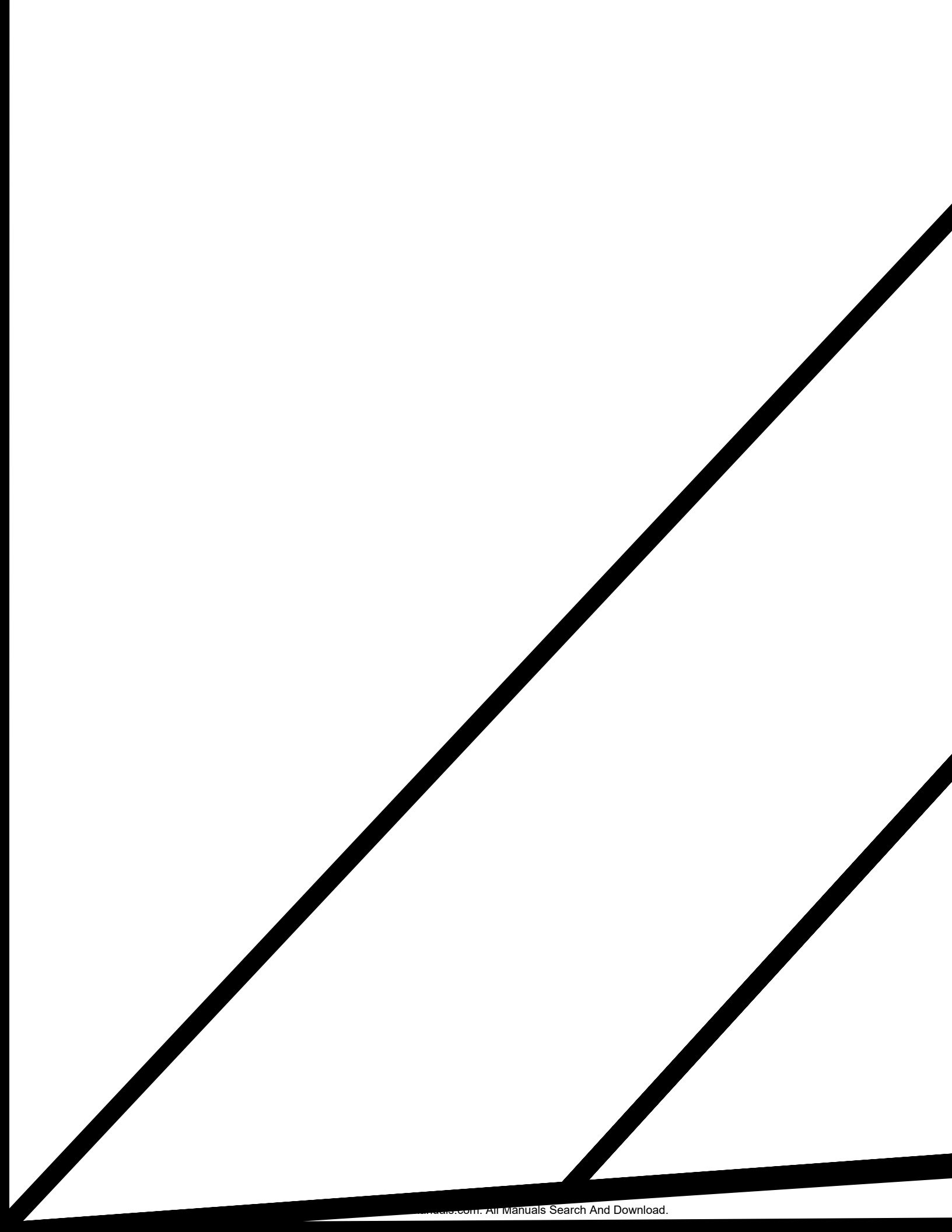


Item No.	19 PARTS LIST	Description	KD502SPQ	Qty.
			Part No.	
1		DEBRIS BAG (service assy) (incl. (2) of 4,5 & 11)	900803	1
2		THROTTLE ASSEMBLY (INCL. 1 ea items 4, 10)	900514-02	1
3				
4		NUT LOCK (1/4 - 20 )	*8160001	6
5		SCREW CAP ( 1/4 - 20 x 1-1/2 HEX )	*8041008	2
6		HANDLE ASS'Y ( incl. items 4(3), 5(2), 11(2), 38, 19, 99, 75(2))	900967	1
7		AXLE REAR - FRAME W.A.	900956	1
8		SCREW CAP 5/16 - 18 x 1-1/2	*8041030	2
9		CLAMP CABLE PLASTIC 1"	900813	2
10		SCREW CAP 1/4 - 20 x 1 3/4	*8041009	2
11		ROD - BAG LOOP	800178	2
12		DOOR EXHAUST ASS'Y (incl. items 13, 62)	890148	1
13		SPRING DOOR EXHAUST	890142	1
14		SCREW CAP #10 - 24 x 5/8	*8059135	2
15		NUT LOCK #10 NC	*8164005	2
16		WASHER #10 FC	*8171001	2
17		WASHER LOCK 3/8 INT.	*8180011	3
18		BRACKET - HEIGHT ADJUSTMENT	900932	1
19		WASHER FLAT CUT 1/4	*8171002	1
20		SPRING	900136	1
21		TIRE - ONLY (PER ASSY) TREADED	900659	1
22		PIN - HAIR COTTER	900471	1
23		ROD HT. ADJ.	900978	1
24		BOLT - CARRIAGE 5/16 - 18 x 3-1/2	*8024050	4
25		WASHER - FLAT 5/16 SAE	*8172008	14
26		NUT LOCK 5/16 - 18 HEX	*8160002	7
27		HANDLE STUB (R.H.)	900911	1
28		PLATE HANDLE SUPPORT	900933	1
29		LABEL DANGER CUT FINGER	400424	2
30		HANDLE STUB (L.H.)	900912	1
31		SCREW CAP 3/8 - 16 X 2 1/2 WASHER FACE	900564	3
32		WASHER HUB CAP 1/2 I.D.	900927	4
33				
34		WHEEL ASS'Y CAST (incl. items 21, 36 ) TREADED	900760	2
35		WASHER 0.75 "C"	900997	1-0
36		BEARING ONLY (QTY PER WHEEL ASS'Y)	900498	2
37		LABEL EAR EYE BREATHING	890254	1
38		EYE BOLT	900913	1
39		PLATE BRACE REAR	890189	2
40		SCREW CAP 1/4 - 20 x 1/2	*8041002	4
41		SPACER	900926	4
42		SCREW SELF TAPPING 10 - 24 x 1/2	*8123086	2
43		NOZZLE MAINFRAME ASS'Y (incl. one of items 29, 44, 42, 55, 64 )	900966	1
44		PLUG	900146	1
45		LABEL OIL CHAIN	830502	1
46		GRIP	900937	1
47		IMPELLER ASS'Y (incl. items 49, 50, 51 )	900342-S	1
48				
49		KEY HI PRO (5/32 x 5/8)	900162	1
50		WASHER LOCK 3/8 TWISTED TOOTH	400502	1
51		SCREW CAP 3/8 - 24 x 1 1/2 " (HARDENED) (TORQUE 50 FT-LBS) (68 N·m)	900344	1
52		HOUSING ASS'Y (incl. items 12, 14, 15, 16, 29, 37, 100)	890237	1
53		ENGINE 5.0 H.P. BRIGGS & STRATTON QUANTUM	900619	1
54		NUT LOCK 3/8 16	*8160003	3
55		ROD BUMPER	900939	1
56		GASKET	800411	1
57		CAP HUB	900486	4
58		WASHER FLAT 1/2 SAE	*8172011	4
59		SPACER RING FULL ASSY	900304T	1
60		CAP END 1"	890132	2
61		PIN COTTER 3/32 x 3/4	*8197016	5
62		LABEL DANGER FLYING MATERIAL	810736	1
63		LABEL HOT ENGINE	400268	1
64		GUARD FOAM INSERT	900977	1
65		PARTS BAG ASSY (INCL. 46, 8(2), 9(2), 25(2), 26(2), 20, 22)	900974	1
66	△	PLATE BRACE HT. ADJ.	900756	1
67				
68				
69				
70				
71				
72				
73				
74				
75		GRIP HANDLE	400570	2
76				
77				
78				
79				
80				
81		SCREW CAP 1/4 - 20 x 3/4	*8041004	2
82				
83		CONNECTOR QUICK	890176	1
84				
85		CABLE ASS'Y CLUTCH	900207	1

\* Denotes standard hardware item that may be purchased locally.

△ Denotes parts found in parts bag assembly.

PARTS LIST 11



## Free Manuals Download Website

<http://myh66.com>

<http://usermanuals.us>

<http://www.somanuals.com>

<http://www.4manuals.cc>

<http://www.manual-lib.com>

<http://www.404manual.com>

<http://www.luxmanual.com>

<http://aubethermostatmanual.com>

Golf course search by state

<http://golfingnear.com>

Email search by domain

<http://emailbydomain.com>

Auto manuals search

<http://auto.somanuals.com>

TV manuals search

<http://tv.somanuals.com>