



CLASSIC SERIES

CADDIE

CABRIOLET CTS

CORSAIRE CTS



OWNER'S MANUAL / GUIDE D'UTILISATION

Revised 13/10/05

www.chariotcarriers.com

51100452



CONGRATULATIONS AND THANK YOU FOR PURCHASING A CHARIOT CARRIER!



Congratulations on choosing a Classic series CTS Trailer, the key component of the world's premiere **Child Transport System (CTS)**. Your new CTS carrier offers superior quality, safety features, and comfort. In addition, Chariot's CTS Conversion Kits can provide you with the versatility to meet all of your child transportation needs.

The CTS Conversion Kits available from your Chariot dealer are the following: **1. Jogging CTS Kit 2. Strolling CTS Kit 3. Hiking CTS Kit**

IMPORTANT Read all instructions before using your Chariot Carrier.

TABLE OF CONTENTS

General Warnings2
Carrier Maintenance, Care and Storage2
Safety Guidelines3
Chariot Carrier CTS Classic Series Assembly
1.0 Erecting and Folding the Carrier4
1.1 Wheel Assembly (Caddie and Cabriolet)5
1.2 Wheel Assembly (Corsaire)5
1.3 Hitch Arm Assembly for Cabiolet5
1.4 Hitch Arm Assembly for Caddie5
1.5 Attaching Your New Quick Release (QR) Skewer & Axle Mounted Hitch Cup to Your Bicycle5
1.6 Attaching Your Axle Mounted Hitch Cup to Your Bicycle if You Have a Solid Axle Hub Style6
1.7 Attaching Your Carrier to the Hitch Cup on Your Bicycle6
1.8 Reflector Assembly6
1.9 High Visibility Flag Assembly and Installation6
1.10 Weather Cover Features7
1.11 Child Placement and Seatbelts7
1.12 Suspension Adjustment8
Parts Lists
Caddie9
Cabriolet10
Corsaire11
Accessories12
Instructions en français13
Limited Lifetime Warranty25

GENERAL WARNINGS

This manual contains many **WARNINGS** and **CAUTIONS**. Read and understand all of the **WARNINGS** and **CAUTIONS**. Failure to assemble and use this carrier correctly may lead to serious personal injury or death to you or your passengers.

- Do not install a car seat or any other seating device not approved by the manufacturer inside the carrier.
- Make no modifications to the carrier.
- The carrier may become unstable if a parcel bag or rack not approved by the manufacturer is attached to the carrier.
- Do not allow any of the child's body, clothing, shoe laces, or toys to come in contact with moving parts.
- Never leave children unattended in the carrier.
- Failure to comply with the manufacturer's instructions may lead to serious injury or death to you and to your passengers.
- Maximum capacity of the carrier is 100 lb (45 kg). This includes the weight of the child/children and cargo. Do not use with children who exceed the weight limitations.
- Do not use cleaning solvents on the carrier. Clean only with mild soap and water.
- When used with only one passenger, the passenger should be seated in a center seating position.
- Passengers must always use seat belts.
- Care must be taken when folding and unfolding to prevent finger entrapment.
- Never use your carrier to go up or down stairs or on steep hills.
- A reflector that complies with CPSC regulations shall be visible on the rear of the trailer and on the side of the wheels.
- Before each ride, ensure the attached carrier does not interfere with braking, pedaling, or steering of the bicycle.
- Never ride a bicycle at night without adequate lighting. Obey all local legal requirements for lighting.
- Ride with extreme caution, never exceed 25 km/h, and slow down to less than 10 km/h around corners and on rough roads.
- Use of a trailer changes the stability, braking requirements and riding characteristics of your bike.
- Always use flag for increased visibility.
- Before the carrier can be used with the Cycling CTS Kit, children must be at least 1 year old and able to sit upright unassisted.
- Passengers must always wear a CPSC or CE approved bicycle helmet.

When carrier is used in Jogging or Strolling mode, please observe the following:

- Use wrist safety strap at all times.
- Always use parking brake when the carrier is stationary.
- Never in-line skate with your carrier.
- Maximum weight in the rear storage compartment is 2.2 lb (1 kg). The carrier may become unstable if the pocket is overloaded.

CARRIER MAINTENANCE, CARE AND STORAGE

- A. Hitch Maintenance** - Check that the hitch and back up straps are properly secured before every ride. Periodically check the hitch for damage, cracks, etc. Replace at first sign of damage. Any damage/deterioration on any parts of your Chariot carrier should be repaired/replaced immediately to reduce the risk of personal injury.
- B. Fabric/Shell Care** - Your Chariot Carrier is manufactured from a tough, durable, water resistant fabric. Clean fabric with household soap or mild detergent and warm water only. Wipe dry. Do not machine dry.
- C. Windows** - Do not use your carrier in temperatures below -20°C (-4°F). Plastic windows can crack at these low temperatures. If carrier is stored/left out in very cold weather you will need to let it warm up before folding or uprighting.
- D. Wheels and Axles** - Wheels should be serviced by a Chariot Dealer at least twice a year. Check wheels for loose spokes and axles for proper security every time you use your Chariot carrier.
- E. Hardware and Fasteners** - Regularly inspect nuts and bolts to ensure they are tightened securely.
- F. Storage** - Store your carrier in a dry, well-ventilated area. To avoid mildew, make sure carrier is dry before storing. Keep your carrier out of the sun when not in use to reduce fading. Do not store the carrier attached to your bicycle.

Always inspect all parts every time you use your carrier!

SAFETY GUIDELINES

Sixteen important rules for the safe use of your Chariot Carrier.

1. **Read all instructions before use!** Failure to read, understand and follow these instructions may result in an otherwise avoidable accident in which you and/or your passengers could suffer serious injury or death.
2. **The safe and proper use of this product is your responsibility!** Take a practice bicycle ride, walk/run, or hike with a weighted carrier (weighted greater than your expected load with children and cargo) before using your carrier to ensure you can handle a loaded carrier in each activity. Be extremely careful on hills and try to avoid them if possible. In addition to safe bicycle practices, the rules listed below must be followed at all times.
3. **Make sure your bicycle is in good working condition.** We recommend a frequent safety check of your bike by a certified bicycle mechanic.
4. **Do not modify or alter carrier or bicycle.** Ask your Chariot Dealer if you are not sure whether your bicycle is compatible with your carrier.
5. **When used as a bicycle trailer, children must be at least 1 year old and be able to sit upright alone.** Consult your pediatrician before carrying any child younger than one year.
6. **Do not exceed the maximum carrier load of 100 lb (45 kg). This capacity includes the weight of child/children and cargo.** Articles carried in the carrier should be well anchored to avoid shifting during travel. Unstable loads and overloading make the carrier less stable and more difficult to control.
7. **Always fasten shoulder harness, lap belt and crotch strap securely and tightly around children.** Periodically check placement of shoulder straps, especially for a sleeping child. Make sure children cannot put fingers into the wheel spokes. Instruct children not to bounce, rock or lean.
8. **Do not leave children unattended in the carrier.**
9. **To insure a smooth ride, keep tires inflated to the recommended pressure shown on the tire side wall. Check tire pressure before each use.** Over inflating tires or use of high pressure tires can cause the carrier to overturn.
10. **Use this carrier only with non-motorized bicycles capable of supporting the additional load of the carrier and child.** Do not use your carrier on electric bicycles, motorcycles, mopeds, automobiles or any other motor vehicle. Check the information supplied with your bike to verify compatibility or ask your dealer.
11. **Do not use a kickstand or other parking device to support the bicycle with a trailer attached.** Attaching a trailer can change the balance of the bicycle making kickstands ineffective. The bicycle can fall over, damaging it and the trailer.
12. **Always use the high visibility flag supplied with the trailer.** Do not assume you have the right-of-way. Do not pull your trailer in high traffic areas such as busy streets, highways or anyplace it may be unsafe to ride with children.
13. **Always verify that the folding brackets are secure and hold the carrier in an upright position.**
14. **Avoid riding at night.** Your ability to see and be seen is greatly reduced. If you must ride at night, use proper lighting and reflectors on your bicycle and wear bright reflective clothing
15. **Both cyclist and children must wear approved bicycle helmets.** If your child is too small to properly wear the smallest size approved helmet, they should not ride in the carrier.
16. **Always obey all traffic laws, and use proper hand signals.**

WARNING!

Bicycle trailers can tip over causing serious injury to passenger/rider.

Hitting an obstacle with a wheel may cause the trailer to tip over at any speed!



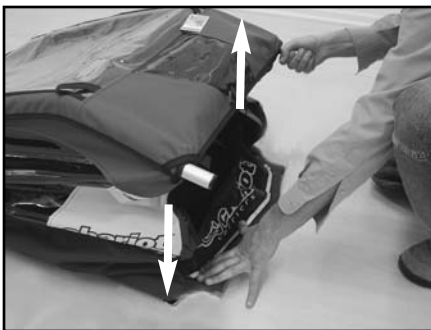
CHARIOT CARRIER CTS CLASSIC SERIES ASSEMBLY

Your Chariot Carrier is shipped 99% assembled. Initial assembly takes a few minutes. After that, folding and unfolding can be done in seconds.



1.0 Erecting and Folding the Carrier

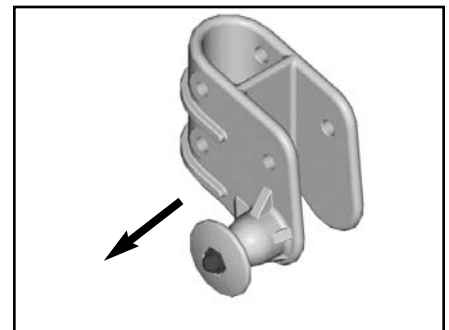
NOTE: Any reference to orientation (left or right) is from the passengers point of view while in the carrier.



Remove the wheels, the hitch arm, and the high visibility flag from inside the trailer body. Stand at the back of the trailer body. Grad the upper frame and pull up until it stops.



Reach into the back flap and pull back on the inner bar until it "snaps" all the way back over center. Use your hip or knee for leverage to help "pop" the trailer into its full upright position.



To collapse the carrier, pull the release disks and push on the curved back frame bar until the carrier is completely collapsed.

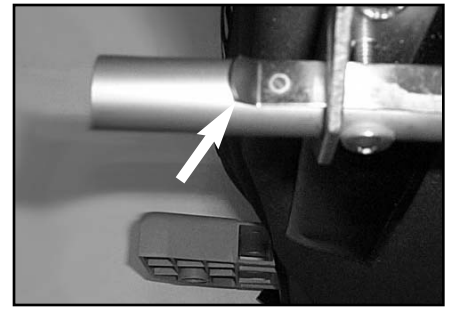
Note: The carrier can be secured in the folded-down position by looping the webbing, hanging from the back of the seat, through the buckle located at the rear bottom of the trailer.

WARNING: Ensure that folding brackets are correctly locked before using carrier. Failure to do so could cause the carrier to collapse.

WARNINGS:

- Only an experienced, strong cyclist should pull a trailer.
- Do not travel faster than 25 km/h and take corners slowly (less than 10 km/h).
- The extra weight will make your bike less responsive. You will need to ride slower. Because of the added weight, it will take longer to get up to speed and you will need more distance to stop. While riding down hill with a trailer you will gain speed more quickly. You will need to use your brakes early and often to keep your speed under control. Remember to apply the rear brake before the front brake, and to use both brakes. It will take longer to cross streets and paths because of the extra length. Turn corners gradually and slowly. A trailer can tip over if a corner is taken too fast and too sharp. Use extra care in all situations.
- Do not ride over curbs, pot holes or other road hazards.
- Stop and walk bicycle when approaching dangerous road conditions (gravel, sand, wet areas, pot holes, railroad tracks, etc.). Using the trailer off-road can damage the trailer and injure you or your passengers.
- Take a practice ride before you take your child along. Ride your bike with the trailer (weighted to simulate an occupied trailer) in an open area without traffic until you are skilled in handling your bike with a trailer attached.

1.1 Wheel Assembly (Caddie and Cabriolet)

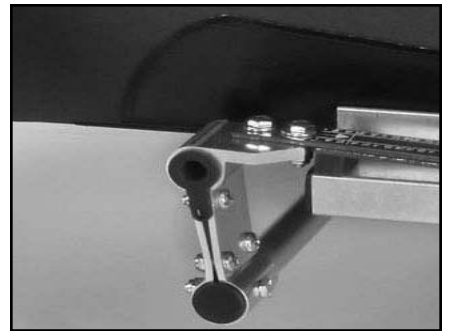


IMPORTANT: To ensure the axle system is engaged properly, test by trying to pull the wheel outwards after installing. The wheel should be locked in its installed position. If not, do not use and take your carrier to your local dealer for servicing.

To insert wheel into axle, simply insert the clevis axle attached to the wheel into the end of the hollow axle. Once fully inserted, you should hear a "click" sound.

To release the wheel from the axle, there is a safety spring button which needs to be released located on the axle pointed towards the rear of the carrier. Pull this spring button towards the rear of the carrier and remove the wheel.

1.2 Wheel Assembly (Corsaire)



1. Depress the rubber cap on the wheel hub with your thumb and fully insert the clevis axle into the hollow axle. Once fully inserted and secured, you should hear a "click" sound. **Important:** To ensure the axle system is engaged properly, test by trying to pull the wheel outwards after installing. The wheel should be locked in its installed position. If not, do not use and take your carrier to your Chariot Dealer for servicing.
2. Repeat all steps for the other wheel.

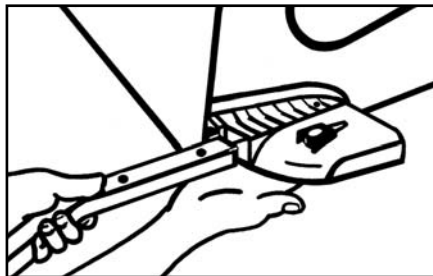
1.3 Hitch Arm Assembly for Cabriolet



Insert the hitch arm by pressing the small button and sliding the arm into the wheel arm attachment bracket. The large button should engage into the hole on the wheel arm attachment bracket.

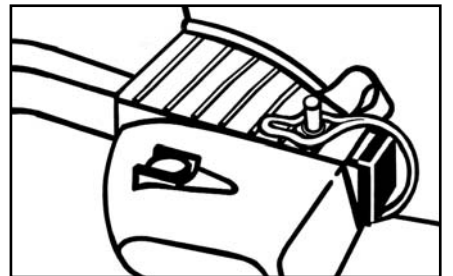
Insert the securing pin down through the small rear hole in the wheel arm attachment bracket.

1.4 Hitch Arm Assembly for Caddie



Insert hitch arm **straight** into the 'left' hitch arm attachment bracket.

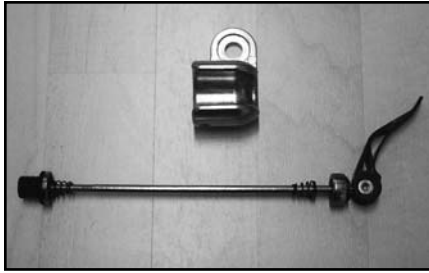
When inserted properly the end cap on the hitch arm should be seen from the back of the hitch arm attachment bracket.



Insert safety snap pin up through the holes in BOTH the hitch arm attachment bracket and the hitch arm. Lock safety snap pin by securing the clip over the pin.

WARNING: Failure to lock safety pin could cause the carrier to separate from the bicycle resulting in serious injury or death.

1.5 Attaching Your New Quick Release (QR) Skewer & Axle Mounted Hitch Cup to Your Bicycle



Remove your existing QR skewer from your bicycle's rear wheel hub. Remove the QR nut and one Skewer Spring from the Hitch QR Skewer.

Insert the Hitch QR Skewer making sure that the cup washer is next to the QR Lever and the Axle Mounted Hitch Cup is on the outside of the bicycle frame drop out. Ensure that the Axle Mounted Hitch Cup is oriented so that the cup itself is below the Hitch QR Skewer and the cup opening is facing forward.



Note: The small diameter of the Skewer Springs should point inward towards the hub axle.

Position the Hitch QR Lever so it points straight out from the hub (open position). Tighten the QR Nut on the opposite end of the Hitch QR Skewer until finger tight.



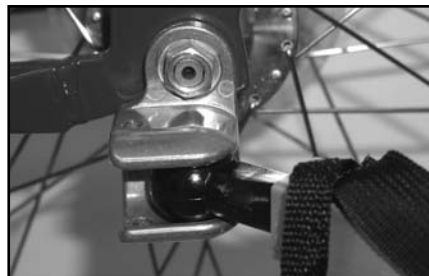
Move the Hitch QR Lever to the closed position. It should take a noticeable amount of force to close the lever (it should leave an imprint of the lever on your palm). The Hitch QR Lever should always be closed so that the lever points to the rear of the bike. This will prevent the Hitch QR Lever from catching and opening while you are riding.

1.6 Attaching Your Axle Mounted Hitch Cup to Your Bicycle if You Have a Solid Axle Style Hub

Note: The Hitch QR Skewer will not be used with a solid axle style hub.

Remove the axle nut from your bicycles rear wheel hub axle (Note: if there is a washer, remove and discard it – the Axle Mounted Hitch Cup will replace it). Install the Axle Mounted Hitch Cup on the wheel hub axle. Ensure that the Axle Mounted Hitch Cup is oriented so that the cup itself is below the solid Axle Bolt and the cup opening is facing forward. Reinstall the axle nut and tighten.

1.7 Attaching Your Carrier to the Hitch Cup on Your Bicycle



Place the CH-5 Hitch Ball into the Axle Mounted Hitch cup (inserted from the forward open end). Fully insert the hitch ball into axle mounted hitch cup.



Place the Securing Pin through the holes on the front of the Axle Mounted Hitch Cup so as to trap the CH-5 Hitch Ball in the Axle Mounted Hitch Cup. The Securing Pin must be installed from the top of the Axle Mounted hitch cup. Pull the rubber strap over the front of the Axle Mounted Hitch Cup and over the securing pin end. The "Chariot" logo should face forward.



Wrap the Hitch Back-up Safety Strap around the bicycle chainstay and attach the safety clip to the D-ring on the hitch arm. If the Hitch Back-up Safety Strap is not long enough to wrap around the bicycle chainstay (because of a non typical rear triangle), wrap it around the rear axle flange (between the drop out and the wheel hub).

WARNING: Failure to properly install and tighten the QR skewer or axle nut could cause hitch failure and wheel loss resulting in serious injury or death.

Failure to insert securing pin and to latch the rubber strap could cause the carrier to separate from the bicycle resulting in an accident and serious injury.

Failure to properly attach the hitch back-up safety strap could result in loss of carrier and serious injury or death to the occupants.

Do not use the hitch if you cannot properly install the hitch back-up safety strap to your bicycle. See your Chariot Dealer for possible alternatives.

1.8 Reflector Assembly

Fasten the red reflector through the grommet on the lower rear panel of the trailer and one yellow reflector onto each wheel.

1.9 High Visibility Flag Assembly and Installation

1. Assemble safety flag by inserting one end of pole into the other.
2. Insert flag pole through the small loop, located near the top rear left corner of the trailer, and straight down into the sleeve.

Note: Remove the flag before collapsing the trailer or the flag pole will break.

WARNING: Do not ride without flag in place. Failure to use high visibility flag could result in an otherwise avoidable accident.

1.10 Weather Cover Features



Attach the loops from the back corner of the weather cover over the aluminum sleeves located at the upper rear section of the carrier.



Fasten the front corners of the weather cover to the knobs located on the front lower corners of the frame. Caddie owners will need to attach the webbing strap to the front lower corners of the frame.

Note: Your Chariot Carrier has climate control features designed to regulate your child's temperature. Periodically monitor your child to ensure that he/she is comfortable in terms of temperature.

WARNING: Failure to use the weather cover could expose your child to flying rocks, insects, and other debris.

During cooler temperatures use the rain cover to keep your child warmer. If this is too warm or you are worried about ventilation, open one or both of the small triangular side vents (for Corsaire models). For more ventilation, roll up the rain cover and secure it by looping the elastic loops around its ends. If it is bright outside or the sun is bothering your child, use the back panel as a sunscreen. To do so, remove the weather cover, flip the back panel over the front of the carrier, secure it to the Velcro tabs located on the upper frame, and re-install the weather cover.

1.11 Child Placement and Seatbelts

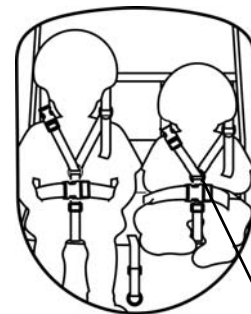
WARNING: Failure to properly attach seatbelts could result in serious injury or death to occupants in the event of an accident.

WARNING: Failure to seat a single child in the center position could cause the carrier to tip over causing serious injury or death.

WARNING: Always adjust shoulder harness and crotch strap so they meet at child's lower chest. Adjusting harnesses and buckles near your child's neck could cause serious injury.

TWO CHILDREN (Caddie)

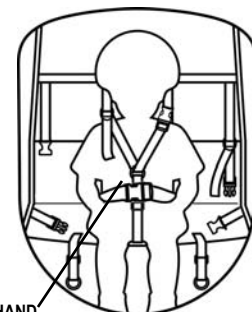
1. Unclip both shoulder harnesses from the side release buckles and unthread them from the O-rings.
2. Seat children in carrier.
3. Place the outer crotch straps between children's legs and adjust so O-rings are centered on children's lower chest.
4. Thread the shoulder harnesses through the backside of the O-rings, clip into buckles over the children's right shoulder and tighten by pulling the loose strap ends from over the children's left shoulder.
5. Fasten lap belt buckles and tighten snugly.



CENTRE O-RING
AT LOWER CHEST

ONE CHILD (Caddie)

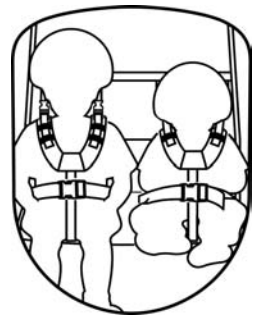
1. Seat child in center seating position.
2. Place the center crotch strap between child's legs and adjust so O-ring is centered on child's lower chest.
3. Thread right hand shoulder harness through the back side of the O-ring, clip into buckle over the child's left shoulder, and tighten by pulling the loose strap end from over the child's right shoulder.
4. Fasten lap belt buckle and tighten snugly.



RIGHT HAND
SHOULDER HARNESS

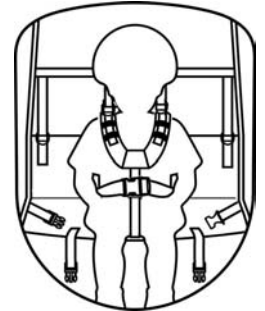
TWO CHILDREN (Cabriolet and Corsaire)

1. Undo the two buckles located at the top of the padded shoulder harness, leaving it attached to the crotch belt, but flipped down.
2. Seat your child(ren).
3. Slide the shoulder belt height adjustment located on the vertical web straps, in the seat back, to the same height as your child(ren)'s shoulders.
4. Lift up the shoulder harness and connect the buckles over each shoulder. Be careful to not pinch your child's neck.
5. Adjust the system using the crotch belt and shoulder belt length adjustments until the Chariot logo located on the shoulder harness is positioned over their lower chest.
6. Buckle the waist belt(s) around their hips. The waist belt goes in front of the crotch belt and the buckle should be centered.
7. Snugly tighten all belts.



ONE CHILD (Cabriolet and Corsaire)

1. Use the center seating position.
2. Move a padded shoulder harness to the center seating position, thus using the center crotch belt and the two middle shoulder buckles.
3. Use the two middle waist belts and buckles.
4. The two outboard waist belts, two outboard crotch belts and one shoulder harness are not used. Safely tuck them aside in the carrier. Do not remove them.
5. Go to section **TWO CHILDREN (Cabriolet)**



ADJUSTING THE PADDED SHOULDER HARNESS

1. Unbuckle and remove the padded shoulder harness from the carrier. To undo the buckle hidden behind the Chariot logo, squeeze in from the sides of the fabric cover.
2. Located on the upper front of the shoulder harness are three adjustment loops per side: two made of webbing, one of cord. You will use these to fit the shoulder harness to one of four different sizes: XS, S, M & L.
3. To achieve the correct size, sleeve through or remove the shoulder belts with the plastic buckle through these adjustment loops, as indicated below:

XS: Do not sleeve through any adjustment loops; thus unsleeve the shoulder belts from all loops.

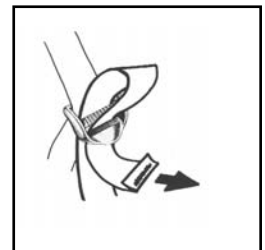
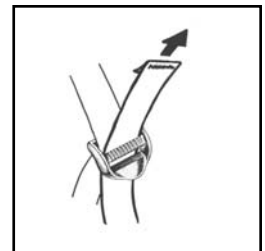
S: Only sleeve through the lowest webbing loop. When sized for XS and S, the un-used, upper sections of the shoulder harness go loose over their shoulders. Smooth them down their back for comfort.

M: Sleeve through both webbing loops. This is the default setting.

L: Sleeve through both webbing loops and the top cord loop.

4. Reinstall the shoulder harness into the carrier using the three plastic buckles. The male buckle on the crotch belt clips into the female buckle behind the logo in the shoulder harness.
5. Go to section **ONE CHILD** or **TWO CHILDREN**.

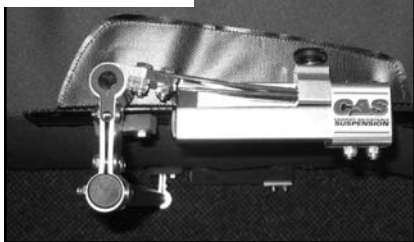
Notes: The padded shoulder harness should be symmetrical and level (the Chariot logo should be horizontal). Do not cross the shoulder belts to use up extra shoulder belt length. Do not pass the shoulder harness under an infant's arms to hold them in a sitting position. Use a Baby Bivy, an Infant Sling or a Baby Supporter with a child that cannot sit upright unsupported.



1.12 Suspension Adjustments (Corsaire)

All Corsaire models come with adjustable suspension. Four adjustment ranges are suggested, but it can be used in any position. The weight ranges suggested are based on the carrier being used for cycling. The setting could be softer or stiffer for strolling/jogging. Experimenting may be required.

Softest Setting



Stiffest Setting



NOTE: To determine the weight, you must combine the weight of the passengers and cargo. To adjust simply loosen the knob, slide bracket to desired weight range, and tighten the knob.

NOTE: The bracket should be moved to the location next to the weights noted (not on top of the position).

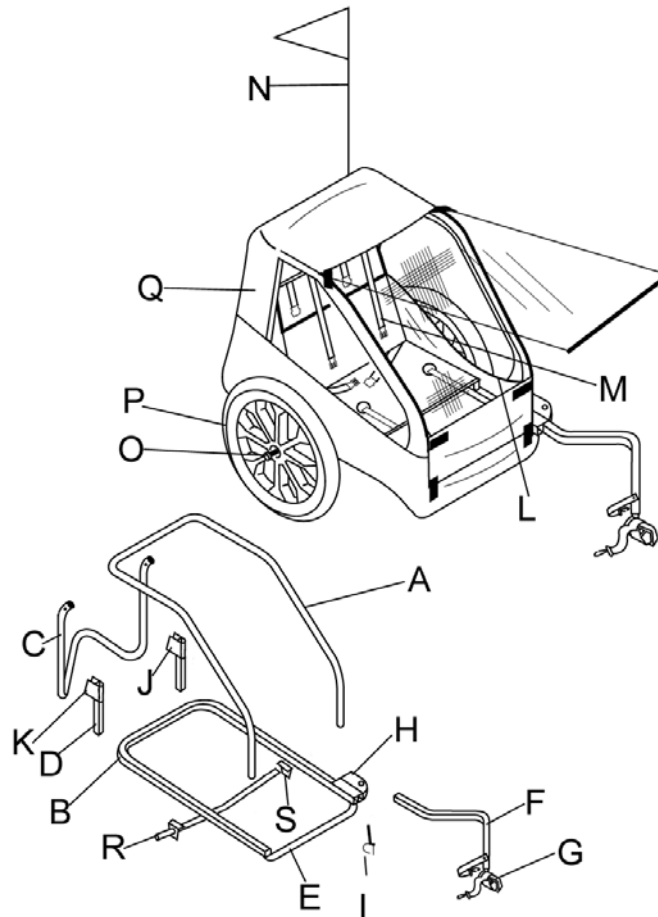
If the suspension is making a hard "knocking" sound, it means the weight setting is too low and you need to slide the bracket further towards the rear. Typically, the suspension on both sides should be set to the same position/range, however it is possible to have them set to different positions if a lighter child is on one side and a heavier child on the other.

Note: the 4 positions outlined in table where 1 represents the lightest load and 4 represents the heaviest load.

75lbs. +	→	50-75lbs	→	25-50lbs.	→	0-25lbs.	→	
		4		3		2		1
34kg +	→	22.5-34kg	→	11-22.5kg	→	0-11kg	→	

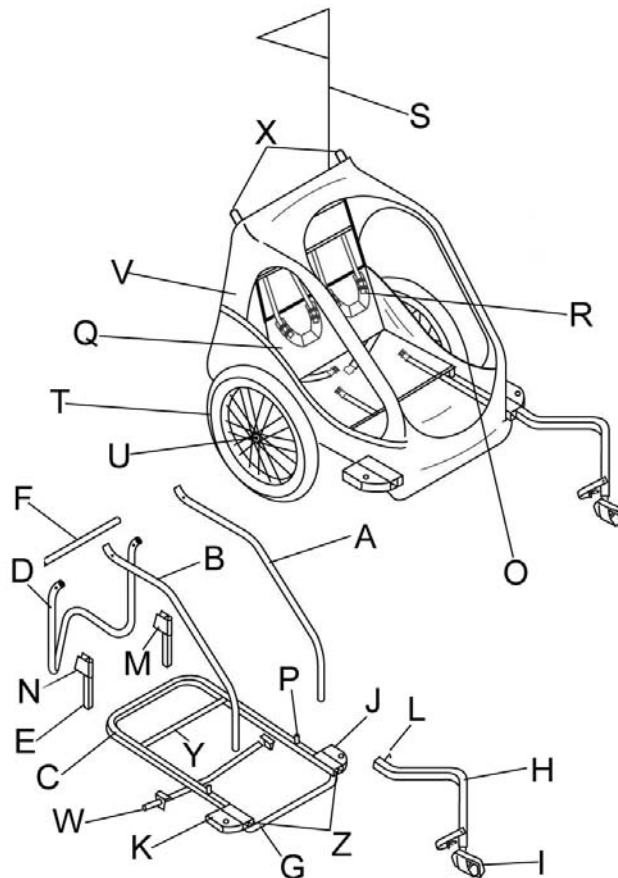
PARTS LIST CADDIE

Part #	Part	Quantity	Part #	Part	Quantity		
A	40100123	Upper Frame.....	1	L	41100811	Support Hoop.....	1
B	41100232	Lower Frame.....	1	M	40200104	Shoulder Harness	2
C	40100411	Back Frame.....	1	N	50101801	Safety Flag.....	1
D	40100723/4	Back Tube.....	2	O	50101307	Clevis Axle with Wave Washer &	
E	41100454	U-Frame	1			Retaining Ring	2
F	41101106	Hitch Arm & Back-up Safety Strap.....	1	P	50101733	Plastic Wheel	2
G	50103033/4	Axle Mounted Hitch & QR Skewer.....	1	Q	30100309	Fabric Body.....	1
H	40101510	Hitch Arm Attachment Bracket - Left.....	1	R	41101725	Hollow Axle	1
I	40202006	Hitch Arm Safety Snap Pin	1	S	41101206/7	Wheel Bracket - Left/Right.....	2
J	40101281	Back Bracket - Left	2		50101904	Reflector - Red (not shown).....	1
K	40101282	Back Bracket - Right.....	2		50101906	Reflector - orange (not shown).....	2



PARTS LIST CABRIOLET

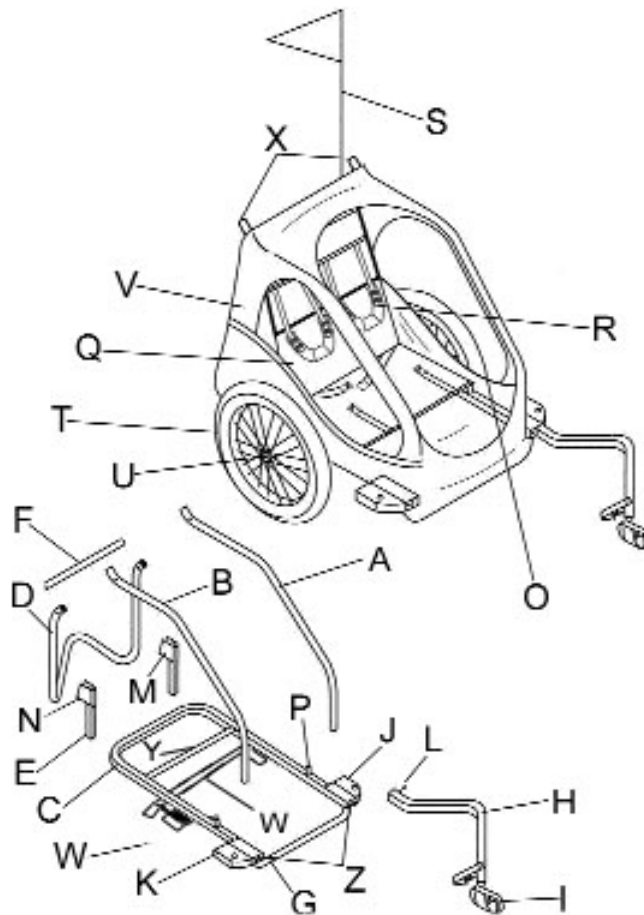
Part #	Part	Quantity	Part #	Part	Quantity		
A	40100105	Upper Frame - Left	1	Q	32100129	Seat	1
B	40100106	Upper Frame - Right	1	R	40200305	Shoulder Harness	2
C	41100203	Lower Frame	1	S	50101801	Safety Flag	1
D	40100403	Back Frame	1	T	50101729	Alloy Wheel	2
E	40100723/4	Back Tube	2	U	50101307	Clevis Axle with Wave Washer & Retaining Ring	2
F	40100601	Seat Frame	1	V	30100135	Fabric Body	1
G	41100454	U-Frame	1	W	41101725	Hollow Axle	1
H	41101105	Hitch Arm & Securing Pin Strap	1	X	41101802	Hollow Plug Glide (Handle Bar Sleeve)	2
I	50103033/4	Axle Mounted Hitch & QR Skewer	1	Y	41100628	Seat Anchor Tube Assembly	1
J	40101514	Hitch Arm Attachment Bracket - Left	1	Z	50103069	Weather cover knob	2
K	40101515	Hitch Arm Attachment Bracket - Right	1		50101904	Reflector - Red (not shown)	1
L	40202002	Backup Safety Strap	1		50101906	Reflector - orange (not shown)	2
M	41101281	Back Bracket - Left	2		31100114	All Season Weather Cover (not shown)	1
N	41101282	Back Bracket - Right	2				
O	41100803	Support Hoop	1				
P	41102128	Seat Riser	2				



PARTS LIST CORSAIRE

Part #	Part	Quantity
A	40100109 Upper Frame - Left	1
B	40100110 Upper Frame - Right	1
C	41100217 Lower Frame	1
D	40100405 Back Frame	1
E	40100723/4 Back Tube	2
F	40100601 Seat Frame	1
G	41100454 U-Frame	1
H	41101105 Hitch Arm & Securing Pin Strap	1
I	50103033/4 Axle Mounted Hitch & QR Skewer	1
J	40101514 Hitch Arm Attachment Bracket - Left	1
K	40101515 Hitch Arm Attachment Bracket - Right	1
L	40202002 Backup Safety Strap	1
M	41101281 Back Bracket - Left	2
N	41101282 Back Bracket - Right	2
O	41100808 Support Hoop	1
P	41102128 Seat Riser	2

Part #	Part	Quantity
Q	32300708 Seat	1
R	40200305 Shoulder Harness	2
S	50101801 Safety Flag	1
T	50101729 Alloy Wheel	2
U	50101305 Clevis Axle	2
V	30300208 Fabric Body	1
W	41101701 Suspension tube	1
X	50101815 Hollow Plug Glide (Handle Bar Sleeve)	2
Y	41100628 Seat Anchor Tube Assembly	1
Z	41102124 Cut End Cap	2
	50101904 Reflector - Red (not shown)	1
	50101906 Reflector - orange (not shown)	2
	31300709 All Season Weather Cover (not shown)	1
	40101904 Parking Braike (not shown)	1



ACCESSORIES

The following high quality Chariot accessories are available for purchase at your local Chariot retailer.

Chariot CTS Conversion Kits:

Stroller Kit: Handlebars, parking brake, safety wrist strap, storage bag and stroller casters for Cabriolets.

Caddie Walker Kit: Handlebars, brake straps, safety wrist strap and stroller attachment.

Jogging Kit: Wheel arms, front wheel, handlebars, parking brake, and storage bag for Cabriolets.

Partial Stroller Kit: Stroller casters.

Hiking Kit: Extended hiking arms and adjustable harness.

Chariot Accessories:

Hydration Kit: Water bottles and brackets for Jogging/Strolling Kits.

Jogging Brake Kit: Brake and attachment for Cabriolet Jogging Kit.

Travel Bag: Heavy duty travel bag with wheel covers for double child carriers.

Chariot Backpack Set: A backpack/diaper bag for parent and a small backpack for junior.

Axle-Mount ez-Hitch™ - Partial: Hitch components required for adding a hitch to a second bike.

Storage Cover 2: A cover to protect double child carriers from the elements (while stored).

Infant Sling: A lateral support sling for the youngest Chariot passengers.

Bunting Bag: An over-sized, all season bunting bag.

Baby Supporter: To assist a baby with sitting upright and adds extra comfort during naps.



FÉLICITATIONS!



Félicitations d'avoir choisi une remorque Chariot Carrier, composante principale du meilleur **système de transport d'enfants CTS** qui soit. Votre nouvelle remorque offre une qualité supérieure ainsi qu'une sécurité et un confort sans pareils. En outre, les trousse de transformation Chariot Carrier vous procurent la souplesse qu'il vous faut pour tous vos déplacements avec vos enfants.

Vous pouvez vous procurer auprès de votre détaillant de produits Chariot les trousse de transformation suivantes: **1.** trousse CTS de jogging; **2.** trousse CTS de marche; **3.** trousse CTS de randonnée.

IMPORTANT

Lisez attentivement les instructions avant utilisation.

TABLE DES MATIÈRES

Directives de sécurité	12
Entretien et entreposage	12
Mise en Gardes Général	13
Assemblage	
1.0 Pour déplier et replier la remorque	16
1.1 Assemblage des roués (Caddie et Cabriolet)	17
1.2 Assemblage des roués (Corsaire)	17
1.3 Dispositif pour le bras à vélo pour et Cabriolet	17
1.4 Dispositif pour le bras à vélo pour Caddie	17
1.5. Levier de dégagement rapide et coupelle d'attelage à l'essieu	18
1.6. Mise en place de la coupelle d'attelage en présence d'un moyeu d'essieu fixe	18
1.7 Installation de la remorque sur la coupelle d'attelage	18
1.8 Assemblage des reflecteurs	18
1.9 Assemblage et installation du fanion de sécurité	18
1.10 Toile de recouvrement	19
1.11 Places des enfants et ceintures de sécurité	19
1.12 Suspension	20
Listes des pièces	
Caddie	21
Cabriolet	22
Corsaire	23
Accessoires	24
Garantie	25

DIRECTIVES DE SÉCURITÉ

Seize règles de sécurité importantes pour l'utilisation de votre remorque Chariot.

1. **Lisez attentivement les instructions avant utilisation!** Défaut de lire, de comprendre ou de suivre ces instructions peut entraîner des accidents qui auraient autrement pu être évités et causer des blessures graves ou même mortelles, pour vous ou pour vos passagers.
2. **C'est à vous qu'il incombe d'utiliser ce produit de façon appropriée et sécuritaire!** Outre les règles élémentaires de sécurité à vélo, celles précisées ci-après doivent toujours être respectées.
3. **Votre vélo doit être en bon état de marche.** Nous recommandons des contrôles réguliers à cette fin.
4. **Ne modifiez d'aucune façon votre remorque ni votre vélo.** Si vous avez des questions au sujet de la compatibilité entre votre vélo et la remorque, posez-les à votre détaillant de produits Chariot.
5. **L'enfant doit avoir au moins un an et être capable de se tenir assis quand vous utilisez la trousse de vélo.** Consultez votre pédiatre si vous souhaitez circuler avec un enfant plus jeune.
6. **La charge maximale de la remorque est de 45 kg (100 lb). Les charges y compris les poids des enfants, baggages et autres effects.** Les articles transportés dans la remorque devraient être fixés solidement en place pour éviter qu'ils se déplacent en cours de route. Surcharge ou charges instables font perdre de la stabilité à la remorque et la rendent plus difficile à manœuvrer.
7. **Bouclez toujours solidement les courroies d'épaules et de cuisses ainsi que la sangle d'entrejambes lorsque des enfants prennent place dans la remorque.** Vérifiez périodiquement l'emplacement des courroies d'épaules, surtout si l'enfant s'est endormi. Assurez-vous que les enfants ne peuvent pas se mettre les doigts dans les rayons des roues. Dites bien aux enfants qu'ils ne doivent pas sauter ou se balancer dans la remorque et qu'ils ne doivent pas non plus se pencher en dehors.
8. **Ne laissez pas les enfants sans surveillance dans la remorque.**
9. **Pour assurer une conduite en douceur, vérifiez la pression des pneus avant chaque utilisation afin de pouvoir la maintenir entre 30 lb/po² et 35 lb/po².** Des pneus surgonflés ou à pression élevée peuvent faire basculer la remorque sur le côté.
10. **La remorque ne doit être tirée que par des vélos non motorisés en mesure de transporter cette charge supplémentaire avec un enfant à bord.** Elle ne doit pas être arrimée à des motocyclettes, mobylettes ou automobiles, ni à d'autres véhicules motorisés, quels qu'ils soient. Consultez le guide d'utilisation de votre vélo pour vérifier la compatibilité ou interrogez votre marchand.
11. **N'utilisez pas la béquille de votre vélo ni tout autre dispositif servant à le maintenir en équilibre si une remorque y est arrimée.** La remorque peut modifier l'équilibre du vélo et rendre la béquille inefficace. Le vélo peut alors basculer et s'abîmer en plus d'endommager la remorque.
12. **Servez-vous toujours du fanion de visibilité fourni avec la trousse de vélo.** Ne supposez pas que vous avez droit de passage. Évitez la circulation dense des rues commerciales, les autoroutes et tout autre endroit où il pourrait être dangereux de circuler avec un enfant..
13. **Vérifiez toujours que les disques de relâche sont bien enclenchés.**
14. **Évitez de circuler la nuit.** Votre vision et votre visibilité sont alors grandement réduites. Si vous ne pouvez éviter une telle situation, phares et cataphotes appropriés s'imposent, au même titre que le port de vêtements réfléchissant la lumière.
15. **Le cycliste et l'enfant doivent tous deux porter des casques de sécurité dûment approuvés.** Si le plus petit casque approuvé est encore trop grand pour votre enfant, celui-ci ne devrait pas prendre place à bord de la remorque.
16. **Respectez les règles du code de la route et indiquez vos intentions au moyen des signaux appropriés.**

ENTRETIEN ET ENTREPOSAGE

- A. **Entretien du dispositif d'attelage** Vérifiez périodiquement le dispositif d'attelage pour vous assurer qu'il n'est pas endommagé, fissuré, etc. Remplacez-le dès que vous constatez des dommages. Les pièces de votre remorque Chariot qui sont endommagées ou encore qui montrent des signes de détérioration doivent être réparées ou remplacées sans attendre afin de réduire les risques de blessures corporelles.
- B. **Soins à apporter à la toile de recouvrement** Le tissu hydrofuge de votre remorque Chariot est durable et résistant. Nettoyez la toile avec un savon destiné à l'entretien ménager ou un détergent doux dans de l'eau tiède. Bien assécher à l'aide d'un chiffon. N'utilisez pas de séchoir.
- C. **Fenêtres** Ne pas utiliser votre remorque dans des températures moins que -20°C (-4°F). Les fenêtres de plastiques peuvent craquer au froid. Si votre remorque est laissée ou entreposée au froid vous devez la réchauffer avant de la plier ou la déplier.
- D. **Roues** Les roues doivent être vérifiées par un détaillant Chariot au moins deux fois par année. Vous devez vous assurer de leur bon alignement et qu'il n'y a pas de rayons lâches chaque fois que vous utilisez votre remorque Chariot.
- E. **Entreposage** Entreposez votre remorque dans un lieu sec et bien ventilé. Pour éviter la moisissure, assurez-vous que la remorque est bien sèche avant de l'entreposer. Afin que les couleurs conservent leur éclat, ne laissez pas votre remorque au soleil lorsque vous ne l'utilisez pas. N'entreposez pas la remorque arrimée à votre vélo.

Nota: Si les bandes de velcro servant à maintenir en place le tissu sur la partie supérieure du cadre devaient se désunir, repliez la remorque afin de les joindre à nouveau ensemble.

Vérifiez toujours toutes les pièces chaque fois que vous utilisez votre remorque!

MISE EN GARDE GÉNÉRALES

Le présent guide renferme des **MISES EN GARDE** ainsi que des **avertissements** qui doivent tous être lus et bien compris. Défaut d'assembler et d'utiliser la remorque comme il se doit peut entraîner des blessures graves ou même mortelles pour vous ou pour vos passagers.

- Il ne faut pas installer un siège d'auto ni tout autre dispositif de ce type non approuvé par le fabricant à l'intérieur de la remorque.
- Il ne faut pas modifier la remorque.
- La remorque peut se déstabiliser si un sac ou support non approuvé par Chariot y est greffé.
- Il faut éviter que le corps de l'enfant, ses vêtements, ses lacets ou ses jouets entrent en contact avec les pièces mobiles.
- Il ne faut jamais laisser les enfants sans surveillance dans la remorque.
- Le non-respect des instructions du fabricant peut entraîner des blessures graves ou même mortelles pour le cycliste ou pour les passagers.
- La capacité maximale de la remorque est de 45 kg (100 lb) enfants, bagages inclus. Il ne faut pas utiliser la remorque si le poids des enfants est supérieur à la capacité maximale.
- Il ne faut pas utiliser de solvants de nettoyage. Nettoyer la remorque uniquement avec un savon doux et de l'eau.
- Lorsqu'il n'y a qu'un seul passager, il doit s'asseoir au centre de la remorque.
- Les passagers doivent toujours porter les ceintures de sécurité.
- Il faut prendre garde de ne pas se pincer les doigts au moment de déplier ou de replier la remorque.
- Il ne faut jamais monter ou descendre un escalier avec la remorque.
- Un cataphote conforme aux règlements de la CSPC doit être visible à l'arrière de la remorque et un cataphone doit être fixé aux roues arrières.
- Avant chaque randonnée, il faut s'assurer que la remorque n'entrave pas le fonctionnement des freins, des pédales ou du guidon du vélo.
- Il ne faut jamais circuler la nuit sans phares appropriés et il faut respecter tous les règlements locaux sur l'éclairage.
- Il faut être très prudent et ne jamais aller à plus de 25 km/h. Il faut ralentir sous les 10 km/h dans les virages et sur les routes plus ou moins carrossables.
- Les enfants doivent avoir au moins un an et être capables de se tenir assis.
- L'utilisation d'une remorque modifie la stabilité et la manœuvrabilité de votre vélo ainsi que le comportement des freins.
- Il faut toujours se servir du fanion de visibilité.
- Les passagers doivent toujours porter un casque approuvé par la CSPC ou le CE.

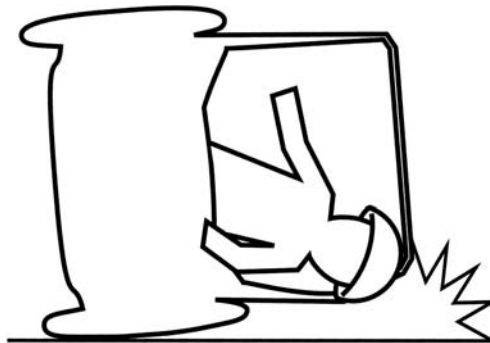
Lorsque la remorque est utilisée pour la marche ou le jogging:

- Il faut toujours enfilez la courroie de sécurité au poignet.
- Il faut toujours appliquer le frein de stationnement lorsque la remorque est stationnaire.
- Il ne faut jamais faire de patin à roues alignées avec votre remorque, un accident pouvant alors se produire et entraîner des blessures graves ou mortelles.
- Le poids maximal pouvant être transporté dans le compartiment arrière est de 1 kg (2,2 lb). La remorque peut se déstabiliser si les pochettes sont surchargées.

MISE EN GARDE!

Les remorques peuvent basculer et entraîner de graves blessures pour le cycliste ou pour les passagers.

Une remorque dont la roue heurte un obstacle peut basculer à quelque vitesse que ce soit!



ASSEMBLAGE

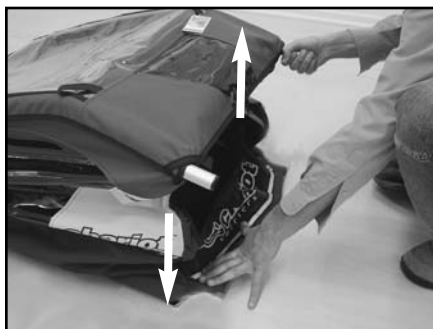
Votre remorque Chariot est presque entièrement montée et les derniers préparatifs ne vous prendront que quelques minutes.

Par la suite, vous pourrez la déplier et la replier en un tournemain.



1.0 Pour déplier et replier la remorque

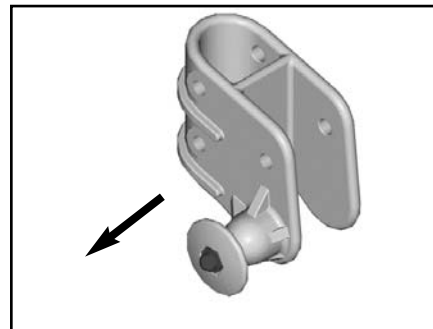
NOTA: Les références au côté gauche ou droit tiennent compte de la perspective d'un passager qui serait assis dans la remorque.



Retirez les roues, le bras du dispositif d'attelage, et le fanion de sécurité de l'intérieur de la remorque. Placez-vous à l'arrière de la remorque. Tirez le cadre supérieur vers le haut jusqu'à extension complète.



Dans le rabat, tirez la barre intérieure vers l'arrière jusqu'au point d'enclenchement complet au-dessus de la partie centrale. Servez-vous de votre hanche ou de votre genou comme d'un levier pour vous aider à redresser complètement la remorque.



Afin de replier la remorque, tirez sur les disques de dégagement, puis repoussez vers l'avant le cadre arrière jusqu'à ce que la remorque soit entièrement repliée.

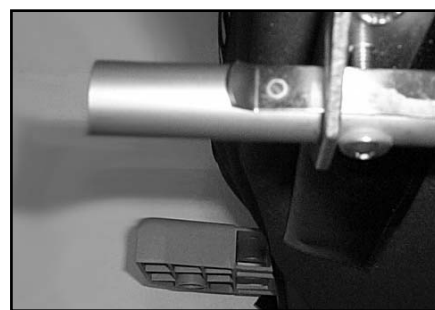
Remarque: La remorque peut être fixée en position pliée en passant la toile suspendue derrière le siège à travers de la boucle qui se trouve à l'arrière et au bas de la remorque.

MISE EN GARDE: Assurez que les fixations de chaque cotés sont bien enclenchés avant chaque utilisations. Si non, la remorque pourrait se plier.

MISE EN GARDE:

- Les cyclistes doivent être forts et avoir de l'expérience pour tirer une remorque.
- Ne roulez pas à plus de 25 km/h et effectuez vos virages en douceur (moins de 10 km/h). En raison de la charge supplémentaire, votre vélo répond moins bien. Il vous faudra ainsi plus de temps pour prendre de la vitesse et aussi pour vous arrêter. En descente avec la remorque, votre vélo gagnera de la vitesse plus rapidement. Vous devrez freiner tôt et souvent pour éviter de perdre le contrôle. N'oubliez pas d'utiliser les deux freins (le frein arrière d'abord, puis le frein avant). Il vous faudra plus de temps pour traverser les rues et les sentiers en raison du fait que votre vélo est plus long. Abordez les virages graduellement et en douceur. La remorque peut basculer sur un côté si les virages sont pris trop rapidement et trop abruptement. Faites preuve de grande prudence dans toutes les situations.
- Ne franchissez pas les bordures de trottoir, ne roulez pas dans des nids de poules et contournez tous les autres obstacles. Arrêtez-vous et marchez à côté de votre vélo lorsque les conditions de la route sont dangereuses (gravier, sable, flaques d'eau, nids de poules, voies de chemin de fer, etc.). L'utilisation de la remorque hors route peut l'endommager et être à l'origine de blessures pour vous ou pour vos passagers.
- Pratiquez-vous avant de faire monter des enfants. Roulez avec la remorque (chargée de façon à simuler le poids qu'elle transportera) dans un endroit ouvert et où il n'y a pas de circulation jusqu'à ce que vous ayez acquis toutes les compétences nécessaires pour manoeuvrer votre vélo sans problèmes.

1.1 Assemblage des roués (Caddie et Cabriolet)

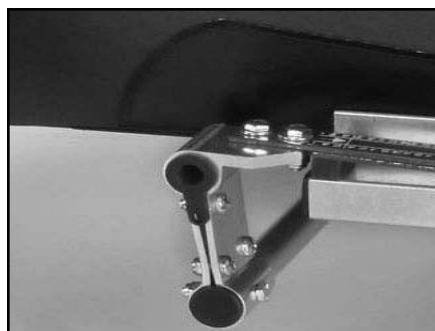


IMPORTANT : Pour vous assurez que le system d'essieu est bien en place, tirer la roue vers vous après l'avoir installée. Elle devrait demeurer bloquée en position. Si ce n'est pas le cas, rappez la remorque chez votre marchand Chariot pour la faire réparer.

Pour insérez la roue dans l'essieu, simplement faire glisser l'essieu de chape attaché à la roue dans l'extrémité de l'axe creux jusqu'au moment où vous entendiez l'enclenchement.

Pour libérez les roues, il y a un bouton de sécurité à ressort qui se trouve sur l'essieu de roue pointent vers l'arrière. Tirez le bouton à ressort vers l'arrière de la remorque en enlevant les roues.

1.2 Assemblage des roués (Corsaire)



1. À l'aide de votre pouce, enfoncez le capuchon en caoutchouc sur le moyeu de la roue et insérez l'essieu de chape dans l'essieu creux jusqu'à "enclenchement". **Important:** Pour vous assurer que la system l'essieu est bien en place, tirez la roue vers vous après l'avoir installée. Elle devrait demeurer bloquée en position. Si ce n'est pas le cas, rappez la remorque chez votre détaillant Chariot pour la faire réparer.
2. Suivez les mêmes instructions pour l'autre roue.

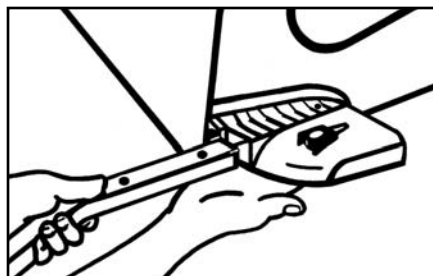
1.3 Dispositif pour le bras à vélo pour Cabriolet



Retirez tous les accessoires retenus au moyen de la fixation du bras de roue. Insérez le bars du dispositif d'attelage en appuyant sur le petit bouton pour les faire glisser dans la fixation du bras de roue. Le gros bouton devrait alors s'engager dans la perforation pratiquée dans la fixation du bras de roue.

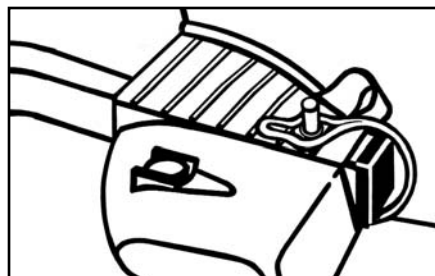
La goupille de sécurité doit être installée à partir du dessus de la fixation du bras de dispositif.

1.4 Dispositif pour le bras à vélo pour Caddie



Insérez le bras du dispositif d'attelage dans la fixation gauche.

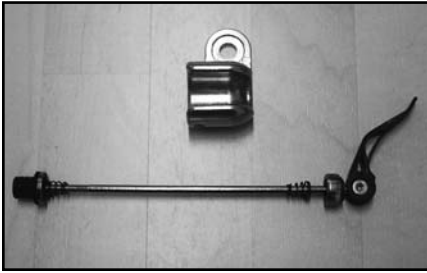
Si lbe bras du dispositif d'attelage est posé correctement, l'embout du bras devrait être visible à l'arrière de la fixation du bras du dispositif d'attelage.



Insérez le mousqueton de sécurité au travers des trous de la fixation ET du bras du dispositif d'attelage. Fixez la boucle sur le mousqueton de sécurité.

MISE EN GARDE: Si le mousqueton de sécurité n'est pas installé correctement, la remorque pourrait se détacher du vélo et occasionner un accident et de graves blessures.

1.5 Levier de dégagement rapide et coupelle d'attelage à l'essieu



Retirez la cheville de dégagement rapide se trouvant déjà sur l'essieu de la roue arrière de votre vélo. Retirez ensuite l'écrou et le ressort de la cheville du dispositif de dégagement rapide de l'attelage.

Insérez la cheville de dégagement rapide en vous assurant que la rondelle se trouve à côté du levier et que la coupelle est placée sur la face extérieure de la patte de fixation du cadre du vélo. Assurez-vous aussi d'orienter la coupelle pour qu'elle se retrouve en dessous de la cheville de dégagement rapide, ouverture vers l'avant.



Placez le levier de dégagement rapide en position ouverte de façon qu'il pointe directement vers l'extérieur du moyeu. Resserrez à la main l'écrou du côté opposé à la cheville de dégagement rapide.

Nota : L'extrémité rétrécie des ressorts de la cheville devrait pointer vers l'intérieur, en direction de l'essieu.



Placez le levier de dégagement rapide en position fermée. Cette opération devrait nécessiter un certain effort, imprimant l'empreinte du levier dans la paume de votre main. Le levier devrait toujours être en position fermée et pointer vers l'arrière du vélo. De cette façon, il ne risque pas d'accrocher quoi que ce soit et de s'ouvrir pendant que vous circulez.

1.6 Mise en place de la coupelle d'attelage en présence d'un moyeu d'essieu fixe

Nota: Le dispositif de dégagement rapide de l'attelage ne servira pas en présence d'un moyeu d'essieu fixe.

Dévissez les écrous de l'essieu du moyeu de la roue arrière de votre vélo. (Not : Retirez aussi les rondelles, le cas échéant, puisque la coupelle les remplacera.) Installez la coupelle d'attelage sur l'essieu du moyeu de la roue. Assurez-vous que la coupelle est orientée de façon qu'elle se trouve en dessous du boulon de l'essieu fixe et que l'ouverture soit orientée vers l'avant. Remettez en place et resserrez l'écrou de l'essieu.

1.7 Installation de la remorque sur la coupelle d'attelage



Insérez entièrement la boule dans la coupelle d'attelage sur l'essieu. Placez la boule CH-5 dans la coupelle d'attelage sur l'essieu (en l'insérant dans l'ouverture à l'avant).



Placez la goupille de verrouillage dans les perforations pratiquées à l'avant de la coupelle d'attelage sur l'essieu de façon à y emprisonner la boule CH-5. L'insertion de la goupille doit se faire à partir de la partie supérieure de la coupelle. Tirez la courroie en caoutchouc au-dessus de la coupelle d'attelage en au-dessus de la goupille. La courroie devrait être insérée de manière donc il ce face en avant.



Enroulez la sangle du dispositif d'attelage devant servir en cas d'urgence autour de la base du vélo et fixez en place la pince de sûreté en l'attachant à l'étrier sur le bras du dispositif d'attelage. Si la sangle n'est pas suffisamment longue pour l'enrouler autour de la base du vélo (en raison d'un triangle arrière atypique), enroulez-la alors autour de la bride de l'essieu arrière (entre la patte de fixation et le moyeu de la roue).

MISE EN GARDE: Le goupille de sécurité doit être bien verrouillée pour éviter que la remorque ne se détache du vélo et ne produise un accident pouvant entraîner de graves blessures.

Si la cheville de dégagement rapide ou l'écrou de l'essieu ne sont pas bien installés et serrés, la roue risque de devenir lâche et le dispositif d'attelage peut céder, ce qui pourrait entraîner des blessures graves ou mortelles.

Ne pas utiliser votre attache d'attelage si vous n'êtes pas en mesure de sécuriser le tout avec la courroie de sécuriter secondaire. Veuillez contacter votre détaillant pour résoudre le problème.

1.8 Assemblage des réflecteurs

Posez le réflecteur rouge dans le trou ayant un anneau métallique du plus bas panneau arrière de la remorque et les réflecteurs jaunes doivent être posés sur chaque roue.

1.9 Assemblage et installation du fanion de sécurité

1. Assemblez le fanion de sécurité en insérant les extrémités de la tige l'une dans l'autre.
2. Insérez le mât au travers de la boucle située près du coin supérieur de gauche à l'arrière de la remorque, puis glissez-le dans la pochette.

REMARQUE: Retirez le fanion avant de replier la remorque sans quoi la tige se cassera.

MISE EN GARDE: Ne vous déplacez pas sans le fanion. Le défaut d'utiliser le fanion de sécurité peut entraîner des accidents qui pourraient autrement être évités.

1.10 Toile de recouvrement



Fixez les boucles aux coins de la partie antérieure de la toile sur les embouts en aluminium, partie supérieure à l'arrière du chariot.



Placez les coins avant de la toile de façon qu'ils s'agrippent aux boutons-pression situées aux coins inférieurs du cadre, à l'avant.

Votre remorque Chariot propose des mesures de régulation de la température pour garantir le confort de votre enfant.

MISE EN GARDE: La toile de recouvrement protège votre enfant, notamment des roches et des insectes. Assurez-vous périodiquement qu'il ne souffre pas de la chaleur ou du froid.

Lorsqu'il fait frais, servez-vous de la housse de protection contre la pluie afin que votre enfant n'ait pas froid. S'il fait alors trop chaud dans la remorque ou si vous craignez un manque de ventilation, il est possible d'ouvrir les fenêtres triangulaires latérales (modèles Corsaire). Pour encore plus de ventilation, enroulez la housse et glissez-la dans les boucles élastiques à chacune des extrémités. Si le soleil est éblouissant ou gêne votre enfant, utilisez le rabat arrière comme pare-soleil. Pour ce faire, après avoir retiré la toile de recouvrement, ramenez le rabat arrière vers l'avant de la remorque, fixez-le en place au moyen des crochets et boucles sur la partie supérieure du cadre, puis réinstallez la toile.

1.11 Places des enfants et ceintures de sécurité

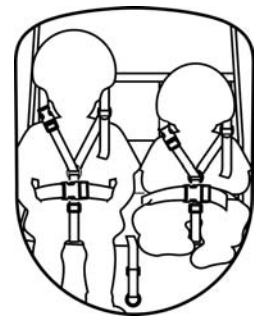
MISE EN GARDE: Défaut d'attacher les ceintures de sécurité comme il se doit peut entraîner des blessures graves ou même mortelles pour les passagers en cas d'accident.

MISE EN GARDE: Un enfant seul qui ne serait pas assis au milieu du siège peut faire basculer la remorque, ce qui pourrait causer des blessures graves ou mêmes mortelles.

MISE EN GARDE: Toujours faire en sorte que le harnais d'épaules et la sangle d'entrejambes se rejoignent au niveau inférieur de la poitrine des enfants. Harnais et boucles se retrouvant au niveau du cou peuvent être très dangereux pour l'enfant.

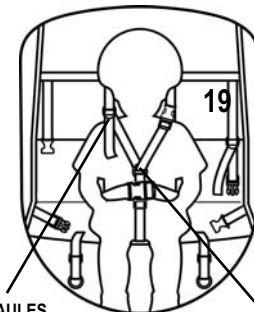
DEUX ENFANTS (Caddie)

1. Détachez les harnais d'épaules des boucles latérales et retirez les courroies des anneaux.
2. Placez les enfants dans la remorque.
3. Insérez la sangle extérieure entre les jambes des enfants et réglez-la de façon que chaque anneau se trouve au milieu de leur poitrine, partie inférieure.
4. Faites passer les harnais d'épaules dans les anneaux, de l'arrière vers l'avant, insérez-les dans la boucle au-dessus de l'épaule droite de chaque enfant, puis serrez en tirant sur l'extrémité qui dépasse au-dessus de l'épaule gauche.
5. Attachez la boucle de la ceinture et serrez bien.



UN ENFANT (Caddie)

1. Placez l'enfant au milieu du siège.
2. Insérez la sangle centrale entre les jambes des enfants et réglez-la de façon que chaque anneau se trouve au milieu de leur poitrine, partie inférieure.
3. Faites passer le harnais d'épaules du côté droit dans l'anneau central, de l'arrière vers l'avant, insérez-le dans la boucle au-dessus de l'épaule gauche de l'enfant, puis serrez en tirant sur l'extrémité qui dépasse au-dessus de l'épaule droite.
4. Attachez la boucle de la ceinture et serrez bien.

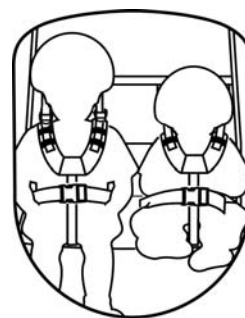


HARNAIS D'ÉPAULES
DU CÔTÉ DROIT

POSITIONNEZ L'ANNEAU À
LA PARTIE INFÉRIEURE DE
LA POITRINE

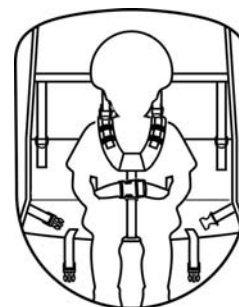
DEUX ENFANTS (Cabriolet)

1. Détacher les deux boucles situées en haut des bretelles rembourrées, les laisser attachées à la ceinture de bassin, mais la boucle rabattue vers le bas.
2. Placer l'enfant (s).
3. Faire glisser la fixation de la hauteur pour la bretelle, située sur les courroies verticales à l'arrière du siège, et ajuster à la hauteur des épaules de l'enfant (s).
4. Soulever les bretelles et attacher les boucles au-dessus de chaque épaule. Veiller à ne pas serrer le cou de l'enfant.
5. Ajuster l'ensemble en réglant la longueur des bretelles et de la ceinture de bassin afin que le logo de Chariot soit situé au niveau inférieur de la poitrine de l'enfant.
6. Attacher la ceinture de la taille autour des hanches. La sangle de la taille va devant celle du bassin et la boucle doit être au milieu.
7. Attacher et serrer bien toutes les boucles des ceintures.



UN ENFANT (Cabriolet)

1. Utiliser la position centrale du siège.
2. Placer les bretelles rembourrées dans la position centrale du siège, et utiliser la ceinture de bassin et les deux boucles d'épaules du milieu.
3. Utiliser les deux boucles et ceintures de la taille du milieu.
4. Ne pas utiliser les deux ceintures de la taille extérieures, les deux ceintures de bassin extérieures ni les autres bretelles. Les ranger en lieu sûr dans le transporteur. Ne pas les enlever.
5. Voir la section **DEUX ENFANTS**.



RÉGLAGE DES BRETelles REMBOURRÉES

1. Détacher et retirer les bretelles rembourrées du transporteur. Pour défaire la boucle cachée derrière le logo de Chariot, passer par les côtés du tissu de recouvrement.
2. Sur l'avant et le haut des bretelles, il y a trois anneaux de fixation de chaque côté : deux en tissu, un en corde. Utiliser ces anneaux pour ajuster les bretelles à une des quatre tailles suivantes : TP, P, M ou G.
3. Pour obtenir la taille désirée, glisser ou retirer les bretelles et leur boucle en plastique à travers ces anneaux de fixation, comme indiqué ci-dessous :

TP : Ne rien glisser dans les anneaux de fixation ; garder les bretelles hors de tout anneau.

P : Glisser seulement dans l'anneau en tissu le plus bas. Pour les tailles TP et P, les parties supérieures non utilisées des bretelles sont lâches. Les ramener doucement dans le dos pour plus de confort.

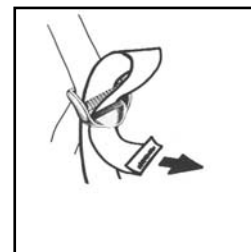
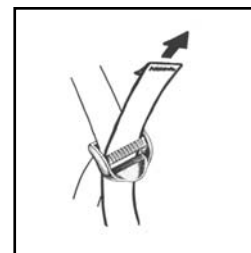
M : Glisser dans les deux anneaux en tissu. C'est la configuration à la livraison.

G : Glisser dans les deux anneaux en tissu et l'anneau en corde du haut.

4. Réinstaller le harnais dans le transporteur à l'aide des trois boucles en plastique. La boucle mâle de la ceinture de bassin se fixe à la boucle femelle derrière le logo du harnais d'épaules.

5. Voir les sections **DEUX ENFANTS** ou **UN ENFANT**.

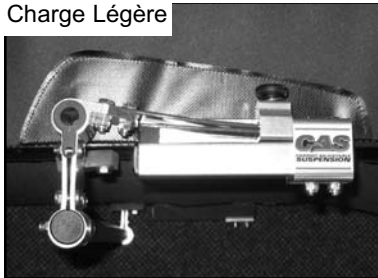
Remarques : Les bretelles doivent être symétriques et horizontales (le logo de Chariot doit être horizontal). Ne pas croiser les bretelles si elles sont trop longues. Ne pas mettre les bretelles sous les bras d'un enfant en bas âge pour lui faire garder la position assise. Utiliser un Bivouac pour bébé, un Hamac pour nouveau-né ou un Soutien de bébé pour un enfant ne pouvant pas se tenir assis sans support.



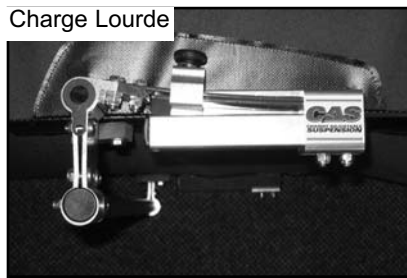
1.12 Suspension (uniquement pour le modèle Corsaire)

Tous les modèles Corsaires sont munis d'une suspension ajustable. Les quatre ajustements suggérés ne le sont qu'à titre indicatif pour utilisation de la remorque avec un vélo. Dans le cas d'activités de marche ou de jogging, de nouveaux réglages pourraient s'imposer. Des essais sont recommandés.

Charge Légère



Charge Lourde



NOTA: Le poids inclut celui des passagers et des bagages. Afin d'apporter les réglages requis, il suffit de dévisser la poignée, de faire glisser le mécanisme jusqu'au poids voulu, puis de revisser.

NOTA: Le mécanisme doit être placé en regard du poids souhaité (non par dessus).

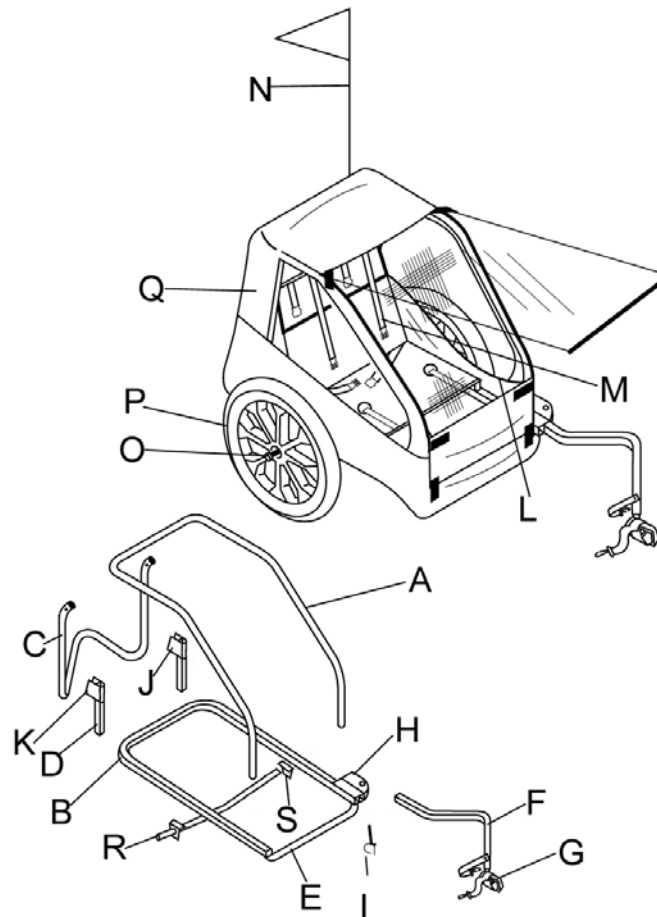
Si la suspension "cogne", il faut accroître le poids en faisant glisser le mécanisme davantage vers l'arrière. Le réglage est habituellement le même des deux côtés, mais il peut différer lorsqu'un des enfants est plus lourd que l'autre.

Dans l'illustration ci-dessus, 1 représente la charge la plus légère et 4 celle la plus lourde.

75lbs. +	→	50-75lbs	→	25-50lbs.	→	0-25lbs.	→	
			4		3		2	1
34kg +	→	22.5-34kg	→	11-22.5kg	→	0-11kg	→	

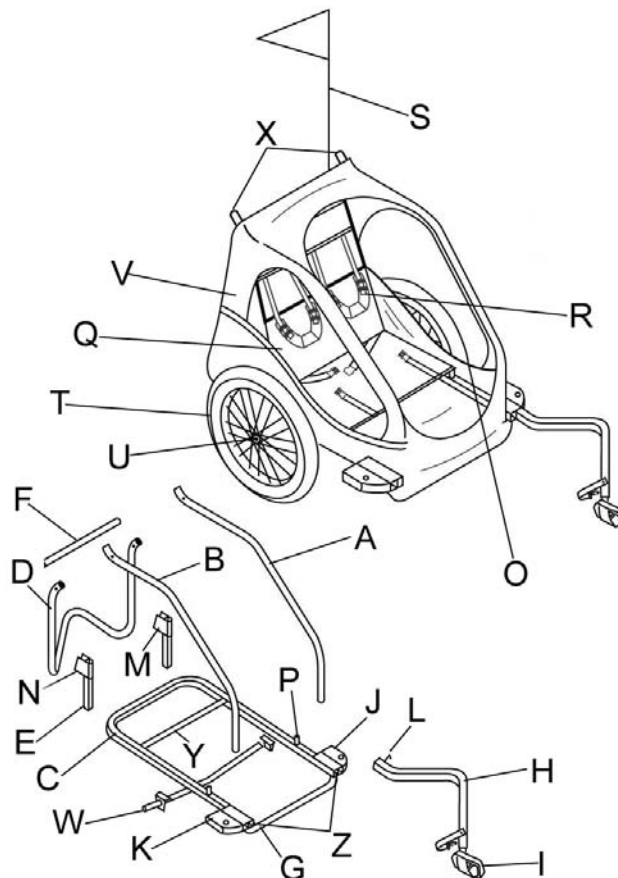
LISTE DES PIÈCES CADDIE

N°	Pièce	Quantité	N°	Pièce	Quantité		
A	40100123	Cadre supérieur	1	L	41100811	Boucle de soutien	1
B	41100232	Cadre inférieur	1	M	40200106	Harnais d'épaule	2
C	40100411	Cadre arrière	1	N	50101801	Fanion de sécurité	1
D	40100723/4	Tube arrière	2	O	40101720	Essieu à chape avec rondelle ondulée	2
E	41100454	Cadre en U	1	P	50101733	Roue en plastique	2
F	41101106	Bras du dispositif d'attelage et courroie de sécurité	1	Q	30100308	Coque en tissu	1
G	50103033/4	Dispositif d'attelage et levier	1	R	41101725	Essieu creux	1
H	40101510	Fixation du bras du dispositif d'attelage - gauche	1	S	41101206/7	Fixation de roue - G/D	2
I	40202006	Mousqueton de sécurité du bras du dispositif d'attelage	1		50101904	Réflecteur - rouge (non illustré)	1
J	40101281	Fixation arrière - gauche	2		50101906	Réflecteur - orange (non illustré)	2
K	40101282	Fixation arrière - droite	2				



LISTE DES PIÈCES CABRIOLET

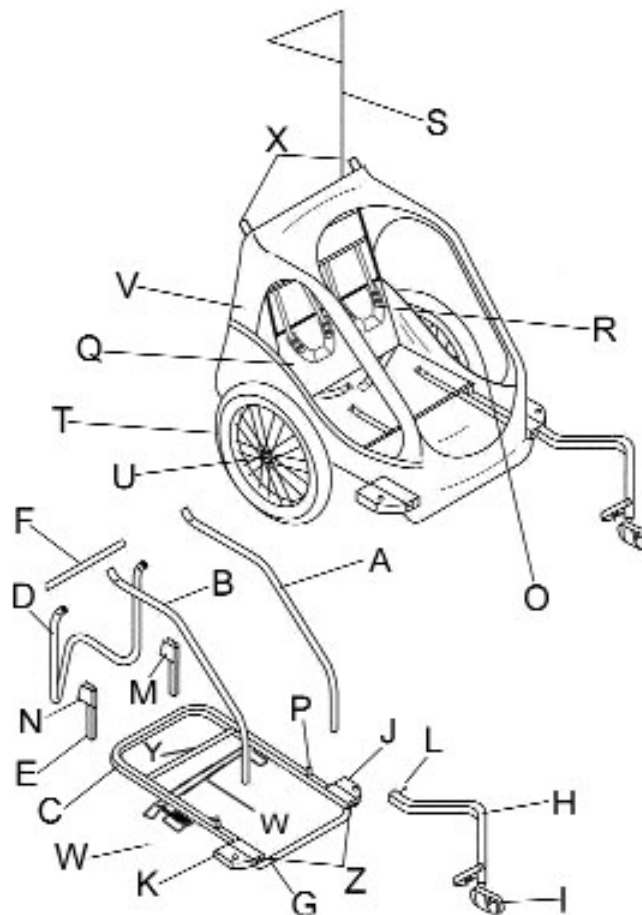
N°	Pièce	Quantité	N°	Pièce	Quantité		
A	40100105	Cadre supérieur - gauche	1	Q	32100129	Siège	1
B	40100106	Cadre supérieur - droit	1	R	40200305	Harnais d'épaule	2
C	41100203	Cadre inférieur	1	S	50101801	Fanion de sécurité	1
D	40100403	Cadre arrière	1	T	50101729	Roue en alliage	2
E	40100723/4	Tube arrière	2	U	50101307	Essieu à chape avec rondelle ondulée et anneau de retenue	2
F	40100601	Cadre du siège	1	V	30100135	Coque en tissu	1
G	41100454	Cadre en U	1	W	41101725	Essieu creux	1
H	41101105	Bras du dispositif d'attelage et goupille de sécurité	1	X	41101802	Enveloppe pour poignée	2
I	50103033/4	Dispositif d'attelage et levier	1	Y	41100628	Tube du siège	1
J	40101514	Fixation du bras du dispositif d'attelage - gauche	1	Z	41102124	Vis coupée avec capuchon	2
K	40101515	Fixation du bras du dispositif d'attelage - droite	1		50101904	Réflecteur - rouge (non illustré)	1
L	40202002	Courroie de sécurité secondaire	1		50101906	Réflecteur - orange (non illustré)	2
M	41101281	Fixation arrière - gauche	2		31100114	Toile de recouvrement (non illustré)	1
N	41101282	Fixation arrière - droite	2				
O	41100803	Boucle de soutien	1				
P	41102128	Élévateur de siège	2				



LISTE DES PIÈCES CORSAIRE

N°	Pièce	Quantité
A	40100109 Cadre supérieur - gauche	1
B	40100110 Cadre supérieur - droit	1
C	41100217 Cadre inférieur	1
D	40100405 Cadre arrière	1
E	40100723/4 Tube arrière	2
F	40100601 Cadre du siège	1
G	41100454 Cadre en U	1
H	41101105 Bras du dispositif d'attelage et goupille de sécurité	1
I	50103033/4 Dispositif d'attelage et levier	1
J	40101514 Fixation du bras du dispositif d'attelage - gauche	1
K	40101515 Fixation du bras du dispositif d'attelage - droite	1
L	40202002 Courroie de sécurité secondaire	1
M	41101281 Fixation arrière - gauche	2
N	41101282 Fixation arrière - droite	2
O	41100808 Boucle de soutien	1
P	41102128 Élévateur de siège	2

N°	Pièce	Quantité
Q	32300708 Siège	1
R	40200305 Harnais d'épaule	2
S	50101801 Fanion de sécurité	1
T	50101729 Roue en alliage	2
U	50101305 Essieu à chape	2
V	30300208 Coque en tissu	1
W	41101701 Essieu creux	1
X	50101815 Enveloppe pour poignée	2
Y	41100628 Tube du siège	1
Z	41102124 Vis coupée avec capuchon	2
	50101904 Réflecteur- rouge (non illustré)	1
	50101906 Réflecteur- orange (non illustré)	2
	31300709 Toile de recouvrement (non illustré)	1
	40101904 Frein (non illustré)	1



ACCESSOIRES

Les détaillants de produits Chariot proposent les options suivantes:

TROUSSE DE TRANSFORMATION CHARIOT CTS:

Trousse de marche : Guidon, roues, frein de stationnement, assemblages de roulettes pour les remorques Cabriolet.

Trousse de marche partielle : Assemblages de roulettes pour les remorques Cabriolet.

Trousse de jogging : Guidon, roue à 16 po, bras de roues, frein de stationnement, sac d'entreposage pour les remorques Cabriolet.

Trousse de jogging partielle : Bras de roues et roue à 16 po pour les remorques Cabriolet.

Trousse de marche Caddie : Guidon, sangle à frein, et l'attachement à marche.

Trousse de randonnée pédestre : Bras de randonnée et un ceinture convient pour les remorques Cabriolet.

ACCESSOIRES CHARIOT:

Trousse d'hydratation : Pour se désaltérer par temps chaud

Trousse de frein pour poussette de jogging : Frein de blocage rapide contrôlé au guidon pour un freinage supplémentaire.

Sac de voyage : Protégez votre Chariot avec ce sac de voyage souple et coussiné.

Ensemble de sacs à dos Chariot : Sacs à dos chics et durables assortis un pour vous et un pour votre petit.

Attache à fixer à l'essieu : Composats de l'attache pour ajouter à un deuxième vélo ou un modèle Chariot antérieur.

Housses de rangement : Housse de rangement en tissu pour protéger votre Chariot à l'intérieur ou à l'extérieur.

Coussinet de siège : Pour plus de confort pour votre enfant assis ou derrière son dos.

Soutien de bébé : Aide l'enfant à se tenir droit et lui assure un soutien confortable pendant ses petits dodos pour les remorques Cabriolet et Corsaire.

Bur nous toutes saisons : Sacs permet de bien emmitoufler l'enfant par temps frais.



LIMITED LIFETIME WARRANTY/GARANTIE À VIE LIMITÉE

CHARIOT CARRIERS INC. warrants that the frame is free of defects for the lifetime of the product. The fabric and hitch are warranted for one year following the date of delivery to the original purchaser. This warranty does not include the wheels and tires. This warranty is valid only to the original purchaser and under normal use.

Repairs must be made by CHARIOT CARRIERS INC. or an authorized dealer, otherwise this warranty is void. CHARIOT CARRIERS INC. reserves the right to repair or replace the warranted carrier.

This warranty does not apply to damages caused by misuse of this product, accidental or intentional damage, neglect or commercial use. Excluded from this warranty is liability for consequential property or commercial damages or for damages for loss of use.

This constitutes the only warranty of CHARIOT CARRIERS INC. and its authorized agents and dealers and no other warranty or conditions, statutory, parole, collateral or otherwise (including conditions requiring compliance with description, fitness for purpose and merchantable quality) shall be implied.

CHARIOT CARRIERS INC. garantit le cadre contre tout défaut tant que le produit sera utilisé et garantit aussi le tissu ainsi que le dispositif d'attelage pendant un an à compter de la date de livraison du produit à l'acheteur d'origine. La présente garantie ne s'applique pas aux roues ni aux pneus et elle n'est valable que pour l'acheteur d'origine, dans des conditions normales d'utilisation.

Les réparations doivent être effectuées par CHARIOT CARRIERS INC. ou un détaillant autorisé sans quoi la garantie devient nulle et non avenue. CHARIOT CARRIERS INC. se réserve le droit de réparer ou de remplacer la remorque.

La présente garantie ne s'applique pas à des problèmes découlant d'une utilisation abusive du produit, aux dommages intentionnels ou accidentels, aux cas de négligence ni à ceux d'utilisation à des fins commerciales. La garantie ne porte pas non plus sur la responsabilité pour dommages indirects à la propriété ou aux biens, ni à la privation de jouissance. Il s'agit de la seule garantie accordée par CHARIOT CARRIERS INC. et ses détaillants ou agents autorisés. Aucune autre garantie ou condition réglementaire, verbale, accessoire ou autre (y compris toute condition exigeant la conformité à la description, à l'usage souhaité ou à la qualité marchande) n'est sous-entendue.

WARRANTY/GARANTIE

To validate your warranty and for contacting you for any future potential safety notices, please complete the following information and send to: Pour que votre garantie entre en vigueur, fournissez les renseignements suivants et faites-les parvenir à: Chariot Carriers Inc., Bay F, 6810 – 6th Street SE, Calgary, Alberta, T2H 2K4, CANADA. You can also validate your warranty on-line at www.chariotcarriers.com.

Name/Nom: Model/Modèle:

Address/Adresse: Serial #/N° de Série: M / Y/A - #/N°

City/Ville: Province or State: Country/Pays:

Postal Code or Zip Code/Code Postal: Telephone/Téléphone:()

Date of Purchase/Date d'achat: Store & Location/Magasin et Ville:

I purchased a CHARIOT CARRIER for the following reason(s)/J'ai choisi CHARIOT CARRIER pour les raisons suivantes:

- reasonable price/prix raisonnable, easy to assemble/facile à assembler, recommended by friend/recommandation, the many features/caractéristiques, quality of product/qualité du produit, North American made/Nord-Américain, visited Chariot's web site/consultation du site web, saw an advertisement/publicité, lifetime warranty/garantie à vie, CTS Conversion Kits/trousses CTS, recommended by salesperson/vendeur

Additional comments/autres commentaires:

Free Manuals Download Website

<http://myh66.com>

<http://usermanuals.us>

<http://www.somanuals.com>

<http://www.4manuals.cc>

<http://www.manual-lib.com>

<http://www.404manual.com>

<http://www.luxmanual.com>

<http://aubethermostatmanual.com>

Golf course search by state

<http://golfingnear.com>

Email search by domain

<http://emailbydomain.com>

Auto manuals search

<http://auto.somanuals.com>

TV manuals search

<http://tv.somanuals.com>