

# CHICAGO

## Electric<sup>®</sup> Power Tools

### 5 IN 1 PORTABLE POWER PACK

#### Model 96157

#### OPERATION INSTRUCTIONS



Diagrams within this manual may not be drawn proportionally.  
Due to continuing improvements, actual product may differ slightly from the product described herein.

**Distributed exclusively by Harbor Freight Tools<sup>®</sup>.**

3491 Mission Oaks Blvd., Camarillo, CA 93011

Visit our website at: <http://www.harborfreight.com>



**Read this material before using this product.  
Failure to do so can result in serious injury.  
SAVE THIS MANUAL.**

Copyright<sup>©</sup> 2007 by Harbor Freight Tools<sup>®</sup>. All rights reserved. No portion of this manual or any artwork contained herein may be reproduced in any shape or form without the express written consent of Harbor Freight Tools.

**For technical questions or replacement parts, please call 1-800-444-3353.**

---

## SPECIFICATIONS

---

Case	Thermoplastic housing with mold-over armored rubber
Battery	12V/18Ah Lead-acid Battery
Cables	36" Long 6AWG gauge coated copper wire
Power Output	Two 115VAC outlets
Outlet Socket	Two 12 VDC
Input Port	AC-DC Charging Ports with Adapters
Weight	19.6 Pounds
Other Features	600 Amp Crank, 1000 Amp Surge Jumpstart Push-button Battery Test 5 L.E.D. Work Light, DC Volts Gauge, 1.75" Dia. 12V 260 PSI Compressor w/ 24" L. Hose & Gauge 3 Air Nozzle Adapters Push-in Fuse for Cooling Fan

### Save This Manual

You will need this manual for the safety warnings and precautions, assembly, operating, inspection, maintenance and cleaning procedures, parts list and assembly diagram. Keep your invoice with this manual. Write the invoice number on the inside of the front cover. Write the product's serial number in the back of the manual near the assembly diagram, or write month and year of purchase if product has no number. Keep this manual and invoice in a safe and dry place for future reference.

---

## GENERAL SAFETY RULES

---

 **WARNING!**

**READ AND UNDERSTAND ALL INSTRUCTIONS**  
**Failure to follow all instructions listed below may result in**  
**electric shock, fire, and/or serious injury.**  
**SAVE THESE INSTRUCTIONS**

### WORK AREA

1. **Keep your work area clean and well lit.** Cluttered benches and dark areas invite accidents.
2. **Do not operate the Power Pack in explosive atmospheres, such as in the presence of flammable liquids, gases, or dust.** The Power Pack can create sparks which may ignite the dust or fumes.
3. **Keep bystanders and children away while operating the Power Pack.** Distractions can cause you to lose control. Provide barriers or shields as needed.

REV 08a

SKU 96157

**For technical questions, please call 1-800-444-3353.**

Page 2

4. **Avoid body contact with grounded surfaces such as pipes, radiators, ranges, and refrigerators.** There is an increased risk of electric shock if your body is grounded.
5. **Do not expose the Power Pack to rain or wet conditions.** Water entering the Power Pack will increase the risk of electric shock.
6. **Stay alert.** Watch what you are doing, and use common sense when operating the Power Pack. Do not use the Power Pack while tired or under the influence of drugs, alcohol, or medication. A moment of inattention while operating power tools may result in serious personal injury.
7. **Use safety equipment.** Always wear ANSI-approved eye protection. Dust mask, nonskid safety shoes, hard hat, or hearing protection must be used for appropriate conditions.
8. **Do not force the Power Pack.** Use the correct tool for your application. The correct tool will do the job better and safer at the rate for which it is designed. Do not force the tool and do not use the tool for a purpose for which it is not intended.
9. **Do not use the Power Pack if the Power Switch does not turn it on or off.** Any tool that cannot be controlled with the Power Switch is dangerous and must be replaced.
10. **Disconnect the Power Pack from the power source before making any adjustments, changing accessories, or storing the tool.** Such preventive safety measures reduce the risk of starting the tool accidentally.
11. **Store idle tools out of reach of children and other untrained persons.** Tools are dangerous in the hands of untrained users.
12. **Maintain labels and nameplates on the tool.** These carry important information. If unreadable or missing, contact Harbor Freight Tools for a replacement.
13. **People with pacemakers should consult their physician(s) before use.** Electromagnetic fields in close proximity to heart pacemaker could cause pacemaker interference or pacemaker failure.
14. **WARNING: This product contains lead, which is a chemical known to the State of California to cause cancer and birth defects or other reproductive harm.** (California Health & Safety Code § 25249.5, *et seq.*)
15. **Avoid contact with Battery Acid.** If splashed, immediately wash effected area with clean water. Continue washing area until medical help arrives.
16. **Connect cables to proper polarities.** Connect black cable to negative body ground and red cable to positive battery terminal.
17. **Do not allow the Black and Red clamps to touch.** Injury to the operator or property damage can occur if this happens.

18. **For emergency use only.** Do not use this system in the place of a vehicle battery. Only use to jump start the vehicle.
19. **Lead acid batteries generate additional hydrogen gas when charging.** Hydrogen gas is explosive. Only use the Jump-start System in a well-ventilated area. Do not allow smoking in the area.
20. **Never exceed the maximum charging time of the Power Pack.** Maximum AC charge time is 48 hours. Maximum DC charge time is 24 hours.

---

## SERVICE

---

1. Tool service must be performed only by qualified repair personnel. Service or maintenance performed by unqualified personnel could result in a risk of injury.
2. When servicing a tool, use only identical replacement parts. Follow instructions in the "Inspection, Maintenance, And Cleaning" section of this manual. Use of unauthorized parts or failure to follow maintenance instructions may create a risk of electric shock or injury.

---

## UNPACKING

---

When unpacking, check to make sure that the item is intact and undamaged. If any parts are missing or broken, please call Harbor Freight Tools at the number shown on the cover of this manual as soon as possible.

---

## OPERATION INSTRUCTIONS

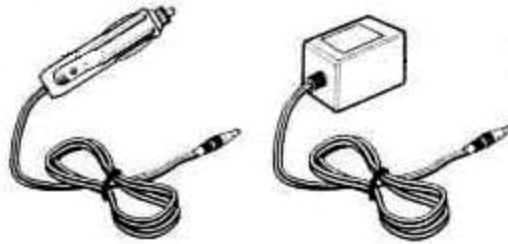
---

**Note:** For additional information regarding the parts listed in the following pages, refer to the Assembly Diagram near the end of this manual.

### Charging the Power Pack

**Note:** Before initial use, it is necessary to completely charge the Power Pack. Initial charge time when using an AC outlet is 48 hours. Initial charge time when using a DC outlet is 24 hours. Always charge on concrete or tile, not on surfaces that are flammable or surfaces that could get heat damaged.

1. Press and hold the Battery Status Button (23) on the front of the unit to check the battery power level: 13 - 15 Volts is ready for use, 12 Volts needs to be charged, less than 12 Volts should be charged immediately.
2. Turn the Jump-start Power Switch (18) on the back of the unit to the "OFF" position.



DC Adapter (31)

AC Adapter (30)

3. **To charge from an AC power source.** After the initial charge, use only the AC Adapter (30) provided with the unit. Plug first into any standard 120V socket, and then into Power Pack. Allow up to 34 hours for the unit to fully charge. The pack must not be continually charged for over 34 hours at a time.
4. When the Power Pack is fully charged, unplug from the 120V socket and unit. **Do not exceed the maximum AC charge time of 34 hours.**
5. **To charge from a DC power source,** plug the DC Adapter (31) into any 12V outlet and then into the AC/DC charging jack on the front of the unit.
6. After the initial charge, fully charging the Power Pack by a DC connection will take about 12 hours. **Do not exceed the maximum DC charge time of 12 hours.**

**Note:** The Charging Indicator light will illuminate when the Power Pack is charging with both AC or DC input. **The Charging Indicator light will not turn off when the charging is complete.** The Voltmeter (10) must be checked periodically when charging and the Power Pack must be unplugged when the unit is fully charged. **DO NOT OVERCHARGE.**

### Work Light

To turn on the L.E.D. Work Light (13), push the Work Light Switch (25) to the “ON” position. Turn Work Light Switch to “OFF” position when done.

### Jump-starting

**Note:** Read the vehicle owner’s manual prior to using the Power Pack to jump-start the vehicle.

1. Turn off the ignition switch of the vehicle and all accessories (lights, radio etc.) of the vehicle off.
2. Turn **all** switches on the Power Pack off.

**Caution:** Do not touch Positive and Negative Battery Clamps together.

3. Connect the red Positive Battery Clamp (27) to the vehicle’s positive battery terminal.

REV 08a

SKU 96157

**For technical questions, please call 1-800-444-3353.**

Page 5

4. Connect the black Negative Battery Clamp (28) to a non-moving metal part of the vehicle. **DO NOT CONNECT TO THE NEGATIVE TERMINAL OF THE BATTERY.**
5. The Connection Indicator Light (17) will glow green if a correct connection has been made. If the Connection Indicator Light turns red, review, and change the connections.
6. When the correct connection has been made, turn the Jump-start Power Switch (18) to the "ON" position.
7. Start vehicle. If vehicle does not start, wait an additional 3 minutes before trying again. **Failure to wait 3 minutes may damage the Power Pack.**
8. After vehicle is started, remove the black Negative Battery Clamp first, and then the red Positive Battery Clamp.

### Air Compressor

1. Open Compartment Door (5) on the back of the unit and pull out the air hose.
2. Check proper inflation level for the object that is being inflated.
3. Lift lever on air nozzle and connect the appropriate adapter (stored in the same area as the air hose and nozzle) for your intended use. Move lever down to lock adapter in place.
4. Turn Air Compressor Switch (24) to "ON" position. ("0"=OFF, "1"=ON)
5. Watch the Compressor Gauge (15) on the front of the unit to avoid over-inflation.
6. When the object reaches the proper inflation level, turn off Air Compressor and disconnect hose. **Do not overinflate any object.**

### AC Inverter

1. Before connecting the Inverter, make sure the Inverter/Fan Switch (26) is in the "OFF" position. (Push on "0" portion of the switch)
2. Plug the appliance into an AC Socket (29) of the Power Pack.
3. Press the Inverter/Fan Switch to the "ON" position. If the inverter is working correctly, the light underneath the Inverter/Fan Switch will illuminate green.
4. Turn on the appliance, if the light remains on, the system is functioning normally. If the light turns off, immediately turn off the appliance and the inverter and see the "Troubleshooting Guide" section of the manual.
5. Monitor voltage use, so that the Power Pack does not drain completely.

## Fan

Turn the Inverter/Fan Switch (26) to the "ON" position, turn off when finished.

## 12 Volt DC

1. Remove the 12V DC Socket Cover (11, 12) and plug in a 12 Volt accessory.
2. Monitor voltage use, so that the Power Pack does not run out of power.


## Battery Disposal

1. **DISPOSAL:** The Power Pack uses a lead-acid battery. **Do not attempt to replace battery.** Remove all screws from case and open. Disposing of Power Pack must comply with the standards for hazardous waste disposal in your area. Contact your local city government office for the nearest hazardous waste disposal area in your community.

---

## **INSPECTION, MAINTENANCE, AND CLEANING**

---

1.  **WARNING!** Make sure the Power Switch of the tool is in its "OFF" position and that the tool is unplugged from its electrical outlet before performing any inspection, maintenance, or cleaning procedures.
2. **BEFORE EACH USE,** inspect the general condition of the tool. Check for loose screws, misalignment or binding of moving parts, cracked or broken parts, damaged electrical wiring, and any other condition that may affect its safe operation. If abnormal noise or vibration occurs, have the problem corrected before further use. **Do not use damaged equipment.**

## **PLEASE READ THE FOLLOWING CAREFULLY**

THE MANUFACTURER AND/OR DISTRIBUTOR HAS PROVIDED THE PARTS LIST AND ASSEMBLY DIAGRAM IN THIS MANUAL AS A REFERENCE TOOL ONLY. NEITHER THE MANUFACTURER OR DISTRIBUTOR MAKES ANY REPRESENTATION OR WARRANTY OF ANY KIND TO THE BUYER THAT HE OR SHE IS QUALIFIED TO MAKE ANY REPAIRS TO THE PRODUCT, OR THAT HE OR SHE IS QUALIFIED TO REPLACE ANY PARTS OF THE PRODUCT. IN FACT, THE MANUFACTURER AND/OR DISTRIBUTOR EXPRESSLY STATES THAT ALL REPAIRS AND PARTS REPLACEMENTS SHOULD BE UNDERTAKEN BY CERTIFIED AND LICENSED TECHNICIANS, AND NOT BY THE BUYER. THE BUYER ASSUMES ALL RISK AND LIABILITY ARISING OUT OF HIS OR HER REPAIRS TO THE ORIGINAL PRODUCT OR REPLACEMENT PARTS THERETO, OR ARISING OUT OF HIS OR HER INSTALLATION OF REPLACEMENT PARTS THERETO.

**Record Product's Serial Number Here:** \_\_\_\_\_

**Note:** If product has no serial number, record month and year of purchase instead.

**Note:** Some parts are listed and shown for illustration purposes only, and are not available individually as replacement parts.

## TROUBLESHOOTING

<b>Trouble</b>	<b>Cause</b>	<b>Remedy</b>
Lack of power output	<ol style="list-style-type: none"> <li>1. Power center voltage below 12 volt.</li> <li>2. Excessive current drawn by being operated.</li> <li>3. Inverter not completely warmed up.</li> </ol>	<ol style="list-style-type: none"> <li>1. Recharge the Power Center immediately.</li> <li>2. Reduce load to maximum appliance 400 watts.</li> <li>3. Turn OFF the device and inverter. Disconnect device. Turn the inverter ON and leave running for a minimum of 2 minutes. Turn OFF inverter, quickly plug in device to inverter making sure device is OFF prior to connection. Turn ON the inverter and the device.</li> </ol>
LED light OFF	<ol style="list-style-type: none"> <li>1. Inadequate power or excessive voltage drop.</li> <li>2. Inverter is overloaded.</li> </ol>	<ol style="list-style-type: none"> <li>1. Check power center and recharge if voltage drops below 12 volt.</li> <li>2. Replace load to maximum of 400 watts.</li> </ol>
Television/Power Tool won't operate	<ol style="list-style-type: none"> <li>1. High surge wattage requirement to start-up.</li> </ol>	<ol style="list-style-type: none"> <li>1. Toggle the Power Inverter On/Off switch in quick succession a total of 5 times in order to generate the necessary power to start the device. If the device does not turn on or start up in 5 cycles of ON/OFF trials. This inverter will not work with the device.</li> </ol>
Television Interference	<ol style="list-style-type: none"> <li>1. Picture breaking up (snow).</li> </ol>	<ol style="list-style-type: none"> <li>1. Place the inverter (power center) as far as will not start possible from TV, the antenna and the coaxial cable.</li> <li>2. TV station may be out of range.</li> </ol>
Static/Noise interference	<ol style="list-style-type: none"> <li>1. Using sound system with low quality noise filtering.</li> </ol>	<ol style="list-style-type: none"> <li>1. Do not use inverter with a low quality audio noise filtering system.</li> <li>2. Only use an audio system with high quality noise filtering.</li> </ol>



---

---

### LIMITED 90 DAY WARRANTY

---

---

Harbor Freight Tools Co. makes every effort to assure that its products meet high quality and durability standards, and warrants to the original purchaser that this product is free from defects in materials and workmanship for the period of 90 days from the date of purchase. This warranty does not apply to damage due directly or indirectly, to misuse, abuse, negligence or accidents, repairs or alterations outside our facilities, criminal activity, improper installation, normal wear and tear, or to lack of maintenance. We shall in no event be liable for death, injuries to persons or property, or for incidental, contingent, special or consequential damages arising from the use of our product. Some states do not allow the exclusion or limitation of incidental or consequential damages, so the above limitation of exclusion may not apply to you. THIS WARRANTY IS EXPRESSLY IN LIEU OF ALL OTHER WARRANTIES, EXPRESS OR IMPLIED, INCLUDING THE WARRANTIES OF MERCHANTABILITY AND FITNESS.

To take advantage of this warranty, the product or part must be returned to us with transportation charges prepaid. Proof of purchase date and an explanation of the complaint must accompany the merchandise. If our inspection verifies the defect, we will either repair or replace the product at our election or we may elect to refund the purchase price if we cannot readily and quickly provide you with a replacement. We will return repaired products at our expense, but if we determine there is no defect, or that the defect resulted from causes not within the scope of our warranty, then you must bear the cost of returning the product.

This warranty gives you specific legal rights and you may also have other rights which vary from state to state.

**3491 Mission Oaks Blvd. • PO Box 6009 • Camarillo, CA 93011 • (800) 444-3353**

---

---

### PARTS LIST

---

---

Part	Description
1	Main Body (Front)
2	Main Body (Back)
3	Positive Clamp Holder
4	Negative Clamp Holder
5	Compartment Door
6	Back Panel
7	Front Panel
8	Transparent Panel
9	12V 40A Fuse
10	Voltmeter
11	DC Socket Cover
12	DC Socket
13	L.E.D. Work Light
14	Air Compressor
15	Compressor Gauge
16	PCB - Inverter
17	Connection Indicator

Part	Description
18	Jump-start Power Switch
19	Positive Cable
20	Negative Cable
21	Fan/Inverter
22	Battery
23	Battery Status Button
24	Air Compressor Switch
25	Work Light Switch
26	Inverter/Fan Switch
27	Positive Battery Clamp
28	Negative Battery Clamp
29	AC Socket
30	AC Adapter
31	DC Charger
32	3 Air Nozzle Adapters (not shown)

**NOTE:** Some parts are listed and shown for illustration purposes only, and are not available individually as replacement parts.

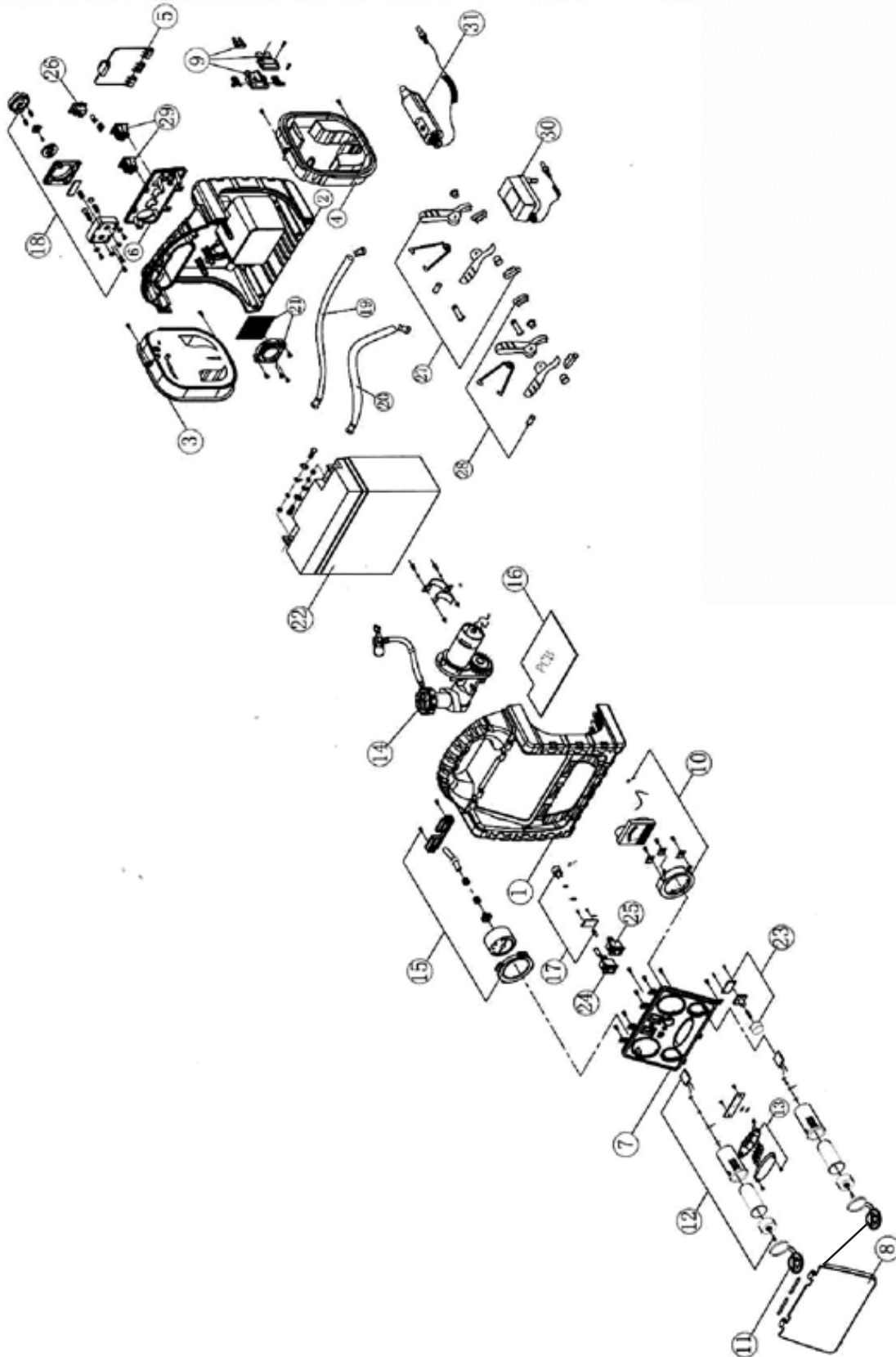
REV 08a

SKU 96157

**For technical questions, please call 1-800-444-3353.**

Page 9

# ASSEMBLY DIAGRAM



## Free Manuals Download Website

<http://myh66.com>

<http://usermanuals.us>

<http://www.somanuals.com>

<http://www.4manuals.cc>

<http://www.manual-lib.com>

<http://www.404manual.com>

<http://www.luxmanual.com>

<http://aubethermostatmanual.com>

Golf course search by state

<http://golfingnear.com>

Email search by domain

<http://emailbydomain.com>

Auto manuals search

<http://auto.somanuals.com>

TV manuals search

<http://tv.somanuals.com>