

CHICAGO
Electric®

RECHARGEABLE WORKLIGHT

60 LED

Model 98113

SET UP AND OPERATING INSTRUCTIONS



Diagrams within this manual may not be drawn proportionally.
Due to continuing improvements, actual product may differ slightly from the product described herein.

Distributed exclusively by Harbor Freight Tools®.

3491 Mission Oaks Blvd., Camarillo, CA 93011

Visit our website at: <http://www.harborfreight.com>



**Read this material before using this product.
Failure to do so can result in serious injury.
SAVE THIS MANUAL.**

Copyright© 2008 by Harbor Freight Tools®. All rights reserved. No portion of this manual or any artwork contained herein may be reproduced in any shape or form without the express written consent of Harbor Freight Tools.

For technical questions or replacement parts, please call 1-800-444-3353.

SAVE THIS MANUAL

Keep this manual for the safety warnings and precautions, assembly, operating, inspection, maintenance and cleaning procedures. Write the product's serial number in the back of the manual near the assembly diagram (or month and year of purchase if product has no number). Keep this manual and the receipt in a safe and dry place for future reference.

IMPORTANT SAFETY INFORMATION

In this manual, on the labeling, and all other information provided with this product:



This is the safety alert symbol. It is used to alert you to potential personal injury hazards. Obey all safety messages that follow this symbol to avoid possible injury or death.

DANGER

DANGER indicates a hazardous situation which, if not avoided, will result in death or serious injury.

WARNING

WARNING indicates a hazardous situation which, if not avoided, could result in death or serious injury.

CAUTION

CAUTION, used with the safety alert symbol, indicates a hazardous situation which, if not avoided, could result in minor or moderate injury.

NOTICE

NOTICE is used to address practices not related to personal injury.

CAUTION

CAUTION, without the safety alert symbol, is used to address practices not related to personal injury.

General Power Tool Safety Warnings



WARNING Read all safety warnings and instructions. Failure to follow the warnings and instructions may result in electric shock, fire and/or serious injury. Save all warnings and instructions for future reference. The term "Worklight" in the warnings refers to your battery-operated (cordless) Rechargeable Worklight.

1. **Work area safety**
 - a. **Keep work area clean and well lit.** Cluttered or dark areas invite accidents.
 - b. **Do not operate the Worklight in explosive atmospheres, such as in the presence of flammable liquids, gases or dust.** Battery operated tools create sparks which may ignite the dust or fumes.
 - c. **Keep children and bystanders away while operating the Worklight.** Distractions can cause you to lose control.
2. **Electrical safety**
 - a. **The AC/DC Adapter plug must match the outlet. Never modify the plug in any way. Do not use any additional adapter plugs with the**

Worklight. *Unmodified plugs and matching outlets will reduce risk of electric shock.*

- b. Avoid body contact with grounded surfaces such as pipes, radiators, ranges and refrigerators.** *There is an increased risk of electric shock if your body is grounded.*
 - c. Do not expose the Worklight to rain or wet conditions.** *Water entering the Worklight will increase the risk of electric shock.*
 - d. Do not abuse the AC/DC Adapter Cord. Never use the Cord for carrying, pulling or unplugging the AC/DC Adapter. Keep the Cord away from heat, oil, sharp edges or moving parts. Damaged or entangled Cords increase the risk of electric shock.**
 - e. If operating the Worklight in a damp location is unavoidable, use a Ground Fault Circuit Interrupter (GFCI) protected supply. Use of a GFCI reduces the risk of electric shock.**
- 3. Personal safety**
 - a. Stay alert, watch what you are doing and use common sense when operating the Worklight. Do not use the Worklight while you are tired or under the influence of drugs, alcohol or medication. A moment of inattention while operating the Worklight may result in serious personal injury.**
 - b. Use safety equipment. Always wear eye protection. Safety equipment such as ANSI-approved safety impact goggles will reduce personal injuries.**
 - c. Prevent unintentional starting. Ensure the Power Switch (10) is in the off-position before connecting to power source and/or battery pack, picking up or carrying the tool. Carrying battery operated tools with your finger on the Power Switch or energizing equipment that have the Power Switch on invites accidents.**
 - d. Do not overreach. Keep proper footing and balance at all times. This enables better control of the Worklight in unexpected situations.**
 - e. Dress properly. Do not wear loose clothing or jewelry. Keep your hair, clothing and gloves away from moving parts. Loose clothes, jewelry or long hair can be caught in moving parts.**
- 4. Worklight use and care**
 - a. Do not use the Worklight if the Power Switch (10) does not turn it on and off. Any tool that cannot be controlled with the Power Switch is dangerous and must be repaired.**
 - b. Disconnect the AC/DC Adapter Cord (or Cigarette Lighter Adapter Cord) before making any adjustments, changing accessories, or storing the Worklight. Such preventive safety measures reduce the risk of starting the equipment accidentally.**
 - c. Store idle battery powered equipment out of the reach of children and do not allow persons unfamiliar with the Worklight or these instructions to operate the tool. Battery powered tools are dangerous in the hands of untrained users.**

d. **Maintain the Worklight.** Check for misalignment or binding of moving parts, breakage of parts and any other condition that may affect the Worklight's operation. If damaged, have the Worklight repaired before use. *Many accidents are caused by poorly maintained battery operated power tools.*

e. **Use the Worklight in accordance with these instructions, taking into account the working conditions and the work to be performed.** *Use of the Worklight for operations different from those intended could result in a hazardous situation.*

5. Battery tool use and care

a. **Recharge only with the AC/DC Adapter (17) or Cigarette Lighter Adapter (16) specified by the manufacturer.** *An Adapter that is suitable for one type of Battery Pack may create a risk of fire when used with another type of Battery Pack.*

b. **Use this Worklight only with the Battery Pack (12) included with this product.** *Use of any other Battery Pack may create a risk of injury and fire.*


c. **Under abusive conditions, liquid may be ejected from the Battery Pack (12). Avoid contact. If contact accidentally occurs, flush with water. If liquid contacts eyes, additionally seek medical help.** *Liquid ejected from the Battery Pack may cause irritation or burns.*

6. Service

a. **Have your Worklight serviced by a qualified repair person using only identical replacement parts.** *This*

will ensure that the safety of the tool is maintained.

Specific Safety Warnings

1. Maintain labels and nameplates on the Worklight. These carry important safety information. If unreadable or missing, contact Harbor Freight Tools for a replacement.
2. This Worklight contains a sealed lead Battery Pack (12). Do not dispose of an old Battery Pack in fire to avoid explosion and possible personal injury. Recycle old Battery Packs according to local solid waste authority procedures. **NOTE: This Battery Pack is not replaceable.**
3. Avoid unintentional starting. Prepare to begin work before turning on the Worklight.
4. Do not leave the Worklight unattended when it's AC/DC Adapter (17) or Cigarette Lighter Adapter (16) is plugged into an electrical outlet. Turn off the tool, and unplug the AC/DC Adapter or Cigarette Lighter Adapter from its electrical outlet before leaving.
5.  The AC/DC Adapter (17) and Cigarette Lighter Adapter (16) get warm during use. The Adapters' heat can build up to unsafe levels and create a fire hazard if they do not receive adequate ventilation, due to an electrical fault, or if they are used in a hot environment. Do not place the Adapters on a flammable surface. **Especially avoid placing the Adapters on carpets, rugs, and car seats. They are not only flammable, but they also**

obstruct air flow under the Adapters.

Place the Adapters on a stable, solid, nonflammable surface (such as a stable metal workbench or concrete floor) at least 1 foot away from all flammable objects, such as drapes, walls, and car seats. Keep a fire extinguisher and a smoke detector in the area. Frequently monitor the Adapters and Battery Pack (12) during use.

6. Do not use an extension cord with this Worklight.
7. This product is not a toy. Keep it out of reach of children.
8. People with pacemakers should consult their physician(s) before use. Electromagnetic fields in close proximity to heart pacemaker could cause pacemaker interference or pacemaker failure. In addition, people with pacemakers should:
 - Avoid operating alone.
 - Do not use with power switch locked on.
 - Properly maintain and inspect to avoid electrical shock.
 - Any power cord must be properly grounded. Ground Fault Circuit Interrupter (GFCI) should also be implemented – it prevents sustained electrical shock.
9. The warnings, precautions, and instructions discussed in this instruction manual cannot cover all possible conditions and situations that may occur. It must be understood by the operator that common sense and caution are factors which cannot be built into this product, but must be supplied by the operator.



SAVE THESE INSTRUCTIONS.

GROUNDING

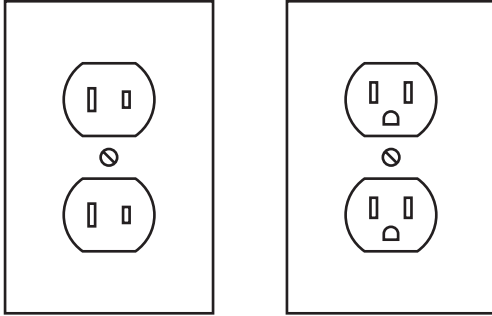
⚠ WARNING

TO PREVENT ELECTRIC SHOCK



AND DEATH FROM INCORRECT GROUNDING WIRE CONNECTION:
Check with a qualified electrician if you are in doubt as to whether the outlets are properly grounded. Do not modify the Adapters' (16, 17) Cord Plugs provided with the tool. Never remove the grounding components from the Plugs. Do not use the Adapters if the Cords or Plugs are damaged. If damaged, have them repaired by a service facility before use. If the Plugs will not fit the outlet (120 VAC for the AC/DC Adapter and 12 VDC for the Cigarette Lighter Adapter), have a proper outlet installed by a qualified electrician.

Double Insulated Tools: Tools with Two Prong AC Plugs



Outlets for 2-Prong AC Plug

1. AC/DC Adapters marked “Double Insulated” do not require grounding. They have a special double insulation system which satisfies OSHA requirements and complies with the applicable standards of Underwriters Laboratories, Inc., the Canadian Standard Association, and the National Electrical Code.
2. Double insulated AC/DC Adapters may be used in either of the 120 volt outlets shown in the preceding illustration.

SYMBOLOLOGY

	Double Insulated
	Canadian Standards Association
	Underwriters Laboratories, Inc.
	Volts Alternating Current
	Amperes
n_0 xxxx/min.	No Load Revolutions per Minute (RPM)

SPECIFICATIONS

Electrical Requirements	<p>Input: 120 VAC~ / 60 Hz / or 12 VDC Output: 12 VDC @ 400mA 120 VAC, AC/DC Adapter: 2 Prong, Grounded VDC Cigarette Lighter Adapter, Grounded Battery Type: 7.2V, 900Ah, Ni-MH Rechargeable (Not Replaceable) Initial Battery Charge Time: 10 Hours Subsequent Charge Times: 6 Hours Approximate Run Time: Up to 4 Hours</p> <p>Cigarette Lighter Fuse Type: F3AL250V Power Switch: Single Pole, Single Throw</p>
Battery Indicator Lights	<p>Battery Needs Charging: Right Side LED Illuminates RED Battery Charging: Left Side LED Illuminates RED Battery Charged: Left Side LED Illuminates Green</p>
Bulb Type & Quantity	Light Emitting Diode (LED) / 60 Pieces
Light Output (LUX)	1080 LUX @ 12 Inches

UNPACKING

When unpacking, check to make sure that the item is intact and undamaged. If any parts are missing or broken, please call Harbor Freight Tools at the number shown on the cover of this manual as soon as possible.

OPERATING INSTRUCTIONS



Read the **ENTIRE IMPORTANT SAFETY INFORMATION** section at the beginning of this manual including all text under subheadings therein before set up or use of this product.

⚠️ WARNING TO PREVENT SERIOUS INJURY

FROM ACCIDENTAL OPERATION:

Turn the Power Switch to its off position and disconnect the Adapter Cord from its electrical supply source before performing any inspection, maintenance, or cleaning procedures.

Worklight Set Up

1. Always place the Worklight on a clean, dry, flat, level surface capable of supporting the weight of the Worklight.
2. The work area must be free of direct sunshine and high temperature.
3. Keep children and pets out of the work area.
4. Route the AC/DC Adapter Cord (17) and Cigarette Lighter Adapter Cord (16) along a safe route to reach the work area without creating a tripping hazard or exposing the Cords to possible damage. The Cords must reach the work area with enough extra length to allow free movement while working.

General Operating Instructions

To Charge the Battery Pack Using the AC/DC Adapter:

1. To charge the Battery Pack (12) of the Worklight, open the Charging Socket Cover (11) on the tool and insert the AC/DC Adapter Cord (17) into the tool's Charging Socket (7). Make sure the Power Switch (10) is in its "OFF" position throughout the

charging process. Then plug the AC/DC Adapter into the nearest 120 volt, grounded, electrical outlet.

2. **IMPORTANT:** The initial charge time for the Battery Pack is **10 hours**. Thereafter, the charge times are **6 hours**. **Do not overcharge the Battery to avoid damage to the Battery and/or AC/DC Adapter.**
3. The Battery Indicator Light on the Worklight will illuminate as follows:
 - **Battery needs charging:** Right side LED illuminates RED.
 - **Battery is charging:** Left side LED illuminates RED.
 - **Battery is fully charged:** Left side LED illuminates GREEN.
4. When finished charging, unplug the AC/DC Adapter from its electrical outlet. Then unplug the Cord from the Charging Input Port of the Worklight. **(See Figure A.)**

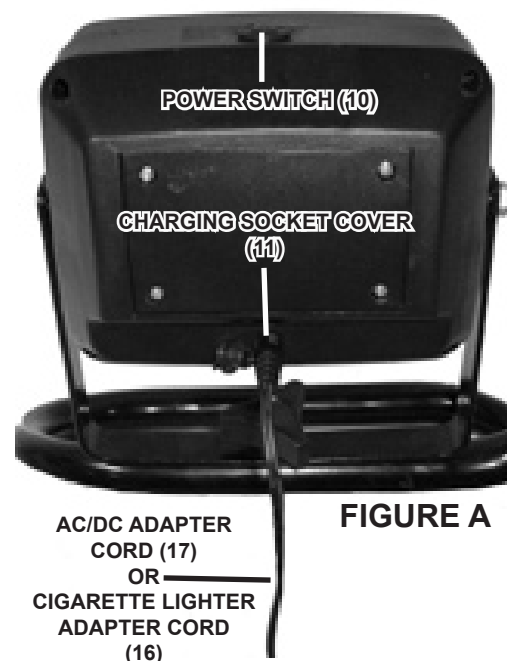


FIGURE A

To Charge the Battery Pack Using the Cigarette Lighter Adapter:

1. Prior to recharging, allow the battery to cool completely.
2. To charge the Battery Pack (12) of the Worklight, open the Charging Socket Cover (11) on the tool and insert the Cigarette Lighter Adapter Cord (16) into the tool's Charging Socket (7). Make sure the Power Switch (10) is in its "OFF" position throughout the charging process. Then plug the Cigarette Lighter Adapter into a 12 VDC vehicle cigarette lighter receptacle.
3. **IMPORTANT:** The initial charge time for the Battery Pack is **10 hours**. Thereafter, the charge times are **6 hours**. **Do not overcharge the Battery to avoid damage to the Battery and/or AC/DC Adapter.**
4. The Battery Indicator Light on the Worklight will illuminate as follows:
 - **Battery needs charging:** Right side LED illuminates RED.
 - **Battery is charging:** Left side LED illuminates RED.
 - **Battery is fully charged:** Left side LED illuminates GREEN.
5. When finished charging, unplug the Cigarette Lighter Adapter from its lighter receptacle. Then unplug the Cord from the Charging Input Port of the Worklight.
(See Figure A.)

Turning the Worklight on and off:

1. To turn on the Worklight, press the Power Switch (10) to its "ON" position. To turn off the Worklight, press

the Power Switch again to its "OFF" position. **(See Figure A.)**

2. The Worklight is designed to operate (on a fully charged Battery Pack) for approximately 6 hours before re-charging is required.
3. When finished using the Worklight, make sure to store the tool in a clean, dry, safe location out of reach of children and other unauthorized persons.

MAINTENANCE AND SERVICING



Procedures not specifically explained in this manual must be performed only by a qualified technician.

WARNING

TO PREVENT SERIOUS INJURY

FROM ACCIDENTAL OPERATION:

Before performing any inspection, maintenance, or cleaning procedures:

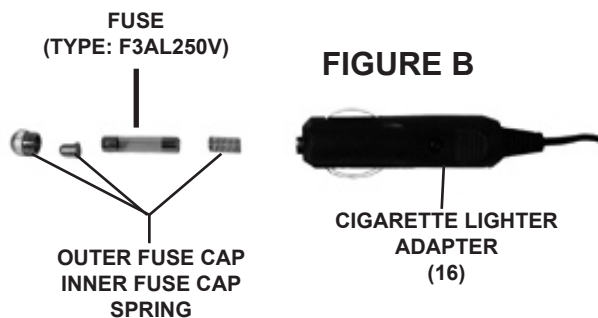
Turn the Power Switch (10) of the Worklight to its "OFF" position. Unplug the tool's AC/DC Adapter (17) or Cigarette Lighter Adapter (16) from its electrical outlet. Then allow the tool to completely cool.

TO PREVENT SERIOUS INJURY FROM EQUIPMENT FAILURE:

Do not use damaged equipment. If abnormal noise or vibration occurs, have the problem corrected before further use.

INSPECTION, MAINTENANCE, AND CLEANING

1. **BEFORE EACH USE:** Inspect the general condition of the Worklight. Check for loose screws, misalignment or binding of moving parts, cracked or broken parts and any other condition that may affect its safe operation.
2. **BATTERY PACK REPLACEMENT:** This Battery Pack is **NOT** replaceable.
3. **CIGARETTE LIGHTER ADAPTER FUSE REPLACEMENT:**
A faulty Cigarette Lighter Adapter typically indicates a blown Fuse. To replace the Fuse, unscrew and remove the Outer Fuse Cap. Remove the Inner Fuse Cap and Spring. Replace the old Fuse with a new F3AL250V Fuse. Then re-install the Spring, Fuse, Inner Fuse Cap, and Outer Fuse Cap. **(See Figure B.)**



4. **AFTER USE:** clean all external surfaces of the Worklight with a soft, clean cloth. Do not use solvents. Do not immerse the Worklight in liquid.
5. **⚠️ WARNING!** If the Cord of the **AC/DC Adapter (17)** or **Cigarette Lighter Adapter (16)** are damaged, they must be replaced only by a qualified service technician.

PLEASE READ THE FOLLOWING CAREFULLY

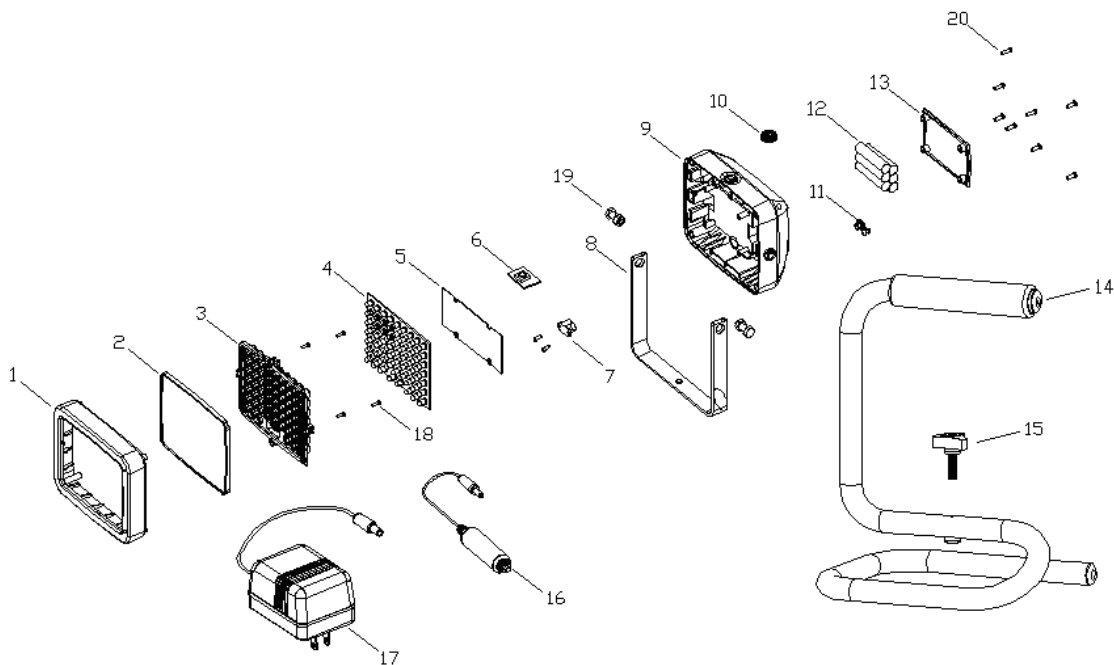
THE MANUFACTURER AND/OR DISTRIBUTOR HAS PROVIDED THE PARTS LIST AND ASSEMBLY DIAGRAM IN THIS MANUAL AS A REFERENCE TOOL ONLY. NEITHER THE MANUFACTURER OR DISTRIBUTOR MAKES ANY REPRESENTATION OR WARRANTY OF ANY KIND TO THE BUYER THAT HE OR SHE IS QUALIFIED TO MAKE ANY REPAIRS TO THE PRODUCT, OR THAT HE OR SHE IS QUALIFIED TO REPLACE ANY PARTS OF THE PRODUCT. IN FACT, THE MANUFACTURER AND/OR DISTRIBUTOR EXPRESSLY STATES THAT ALL REPAIRS AND PARTS REPLACEMENTS SHOULD BE UNDERTAKEN BY CERTIFIED AND LICENSED TECHNICIANS, AND NOT BY THE BUYER. THE BUYER ASSUMES ALL RISK AND LIABILITY ARISING OUT OF HIS OR HER REPAIRS TO THE ORIGINAL PRODUCT OR REPLACEMENT PARTS THERETO, OR ARISING OUT OF HIS OR HER INSTALLATION OF REPLACEMENT PARTS THERETO.

TROUBLESHOOTING

Problem	Possible Cause	Possible Solution
Worklight does not turn on.	<ol style="list-style-type: none"> 1. Power Switch not on. 2. Battery Pack is low. 3. Battery Pack not charging. 	<ol style="list-style-type: none"> 1. Press Power Switch to ON position. 2. Recharge Battery Pack. 3. Check AC/DC Adapter/Cigarette Lighter Adapter connections from power supply source to Worklight. Make sure AC or DC power supply source is functioning properly.
Worklight does not turn off.	<ol style="list-style-type: none"> 1. Power Switch not off. 2. Faulty Power Switch. 	<ol style="list-style-type: none"> 1. Press Power Switch to OFF position. 2. Have a qualified service technician repair or replace Power Switch.
Cigarette Lighter does not charge.	<ol style="list-style-type: none"> 1. Blown fuse. 	<ol style="list-style-type: none"> 1. Replace fuse.

PARTS LIST & ASSEMBLY DIAGRAM

Part #	Description	Qty.	Part #	Description	Qty.
1	Front Cover		11	Charging Socket Cover	
2	Transparent Lens		12	Battery Pack	
3	Glisten Lens		13	Battery Pack Cover	
4	LED Board		14	Stand Holder	
5	Circuit Board		15	Hex Screw	
6	Switch Button		16	Cigarette Lighter Adapter	
7	Charging Socket		17	AC/DC Adapter	
8	U-Holder		18	Pan Head Screw (M2.5x8)	
9	Back Cover		19	Hex Head Screw (M6x10)	
10	Power Switch		20	Pan Head Screw (M3x10)	



LIMITED 90 DAY WARRANTY

Harbor Freight Tools Co. makes every effort to assure that its products meet high quality and durability standards, and warrants to the original purchaser that this product is free from defects in materials and workmanship for the period of 90 days from the date of purchase. This warranty does not apply to damage due directly or indirectly, to misuse, abuse, negligence or accidents, repairs or alterations outside our facilities, criminal activity, improper installation, normal wear and tear, or to lack of maintenance. We shall in no event be liable for death, injuries to persons or property, or for incidental, contingent, special or consequential damages arising from the use of our product. Some states do not allow the exclusion or limitation of incidental or consequential damages, so the above limitation of exclusion may not apply to you. THIS WARRANTY IS EXPRESSLY IN LIEU OF ALL OTHER WARRANTIES, EXPRESS OR IMPLIED, INCLUDING THE WARRANTIES OF MERCHANTABILITY AND FITNESS.

To take advantage of this warranty, the product or part must be returned to us with transportation charges prepaid. Proof of purchase date and an explanation of the complaint must accompany the merchandise. If our inspection verifies the defect, we will either repair or replace the product at our election or we may elect to refund the purchase price if we cannot readily and quickly provide you with a replacement. We will return repaired products at our expense, but if we determine there is no defect, or that the defect resulted from causes not within the scope of our warranty, then you must bear the cost of returning the product.

This warranty gives you specific legal rights and you may also have other rights which vary from state to state.

3491 Mission Oaks Blvd. • PO Box 6009 • Camarillo, CA 93011 • (800) 444-3353

Record Product's Serial Number Here: _____

Note: If product has no serial number, record month and year of purchase instead.

Note: Some parts are listed and shown for illustration purposes only, and are not available individually as replacement parts.

Free Manuals Download Website

<http://myh66.com>

<http://usermanuals.us>

<http://www.somanuals.com>

<http://www.4manuals.cc>

<http://www.manual-lib.com>

<http://www.404manual.com>

<http://www.luxmanual.com>

<http://aubethermostatmanual.com>

Golf course search by state

<http://golfingnear.com>

Email search by domain

<http://emailbydomain.com>

Auto manuals search

<http://auto.somanuals.com>

TV manuals search

<http://tv.somanuals.com>