

**BLODGETT**® **BLODGETT**® **BLODGETT**® **BLODGETT**®

**BLODGETT**® **BLODGETT**® **BLODGETT**®

**BLODGETT**® **BLODGETT**® **BLODGETT**® **BLODGETT**®

---

**BLODGETT**®

**XR8-G**  
**MINI RACK OVEN**  
**INSTALLATION – OPERATION – MAINTENANCE**

**XR8-G**  
**MINI RACK OVEN**  
**MANUEL D'INSTALLATION – FONCTIONNEMENT – ENTRETIEN**



**BLODGETT OVEN COMPANY**

www.blodgett.com  
44 Lakeside Avenue, Burlington, Vermont 05401 USA Telephone (800) 331-5842, (802) 860-3700 Fax: (802)864-0183

PN 38480 Rev A (8/05)

© 2005 – G.S. Blodgett Corporation

# IMPORTANT

**WARNING: IMPROPER INSTALLATION, ADJUSTMENT, ALTERATION, SERVICE OR MAINTENANCE CAN CAUSE PROPERTY DAMAGE, INJURY OR DEATH. READ THE INSTALLATION, OPERATING AND MAINTENANCE INSTRUCTIONS THOROUGHLY BEFORE INSTALLING OR SERVICING THIS EQUIPMENT**

**AVERTISSEMENT: UNE INSTALLATION, UN AJUSTEMENT, UNE ALTÉRATION, UN SERVICE OU UN ENTRETIEN NON CONFORME AUX NORMES PEUT CAUSER DES DOMMAGES À LA PROPRIÉTÉ, DES BLESSURES OU LA MORT. LISEZ ATTENTIVEMENT LES DIRECTIVES D'INSTALLATION, D'OPÉRATION ET D'ENTRETIEN AVANT DE FAIRE L'INSTALLATION OU L'ENTRETIEN DE CET ÉQUIPEMENT.**

**INSTRUCTIONS (PAGE 12) TO BE FOLLOWED IN THE EVENT THE USER SMELLS GAS MUST BE POSTED IN A PROMINENT LOCATION. THIS INFORMATION MAY BE OBTAINED BY CONTACTING YOUR LOCAL GAS SUPPLIER.**

**LES INSTRUCTIONS (PAGE 12) À RESPECTER AU CAS OÙ L'UTILISATEUR PERÇOIT UNE ODEUR DE GAZ DOIVENT ÊTRE AFFICHÉES DANS UN ENDROIT BIEN VISIBLE. VOUS POUVEZ VOUS LES PROCURER AUPRÈS DE VOTRE FOURNISSEUR DE GAZ LOCAL.**

## FOR YOUR SAFETY

**Do not store or use gasoline or other flammable vapors or liquids in the vicinity of this or any other appliance.**

## AVERTISSEMENT

**Ne pas entreposer ni utiliser de l'essence ni d'autres vapeurs ou liquides inflammables dans le voisinage de cet appareil, ni de tout autre appareil.**

**The information contained in this manual is important for the proper installation, use, and maintenance of this oven. Adherence to these procedures and instructions will result in satisfactory baking results and long, trouble free service. Please read this manual carefully and retain it for future reference.**

**Les informations données dans le présent manuel sont importantes pour installer, utiliser et entretenir correctement ce four. Le respect de ces instructions et procédures permettra d'obtenir de bons résultats de cuisson et une longue durée de service sans problèmes. Veuillez lire le présent manuel et le conserver pour pouvoir vous y reporter à l'avenir.**

**Errors: Descriptive, typographic or pictorial errors are subject to correction. Specifications are subject to change without notice.**

**Erreurs: Les erreurs de description, de typographie ou d'illustration font l'objet de corrections. Les caractéristiques sont sujettes à modifications sans préavis.**



***THE REPUTATION YOU CAN COUNT ON  
UNE RÉPUTATION SUR LAQUELLE VOUS POUVEZ COMPTER***

For over a century and a half, The Blodgett Oven Company has been building ovens and nothing but ovens. We've set the industry's quality standard for all kinds of ovens for every foodservice operation regardless of size, application or budget. In fact, no one offers more models, sizes, and oven applications than Blodgett; gas and electric, full-size, half-size, countertop and deck, convection, Cook'n Hold, Combi-Ovens and the industry's highest quality Pizza Oven line. For more information on the full line of Blodgett ovens contact your Blodgett representative.

Cela fait maintenant dessus un siècle et demi que Blodgett se spécialise dans la fabrication de fours. Nous avons établi les normes de qualité qui s'appliquent dans l'industrie à tous les types de fours utilisés dans les services alimentaires, quel qu'en soit la taille, l'exploitation ou le budget. En fait, ni n'offre plus de modèles, de tailles et d'applications de fours que Blodgett. À gaz et électriques. De tailles différentes, sur plan de travail et superposables. Qu'il s'agisse de fours à convection, des modèles Cook'n Hold et Combi-Oven, ou de la gamme de fours à pizzas de la plus haute qualité offerte sur le marché. Pour de plus amples informations sur la gamme complète de fours Blodgett, veuillez contacter votre représentant Blodgett.

Your Service Agency's Address:  
Adresse de votre agence de service:



Model/Modèle:

---

Serial Number/Numéro de série:

---

Your oven was installed by/  
Installateur de votre four:

---

Your oven's installation was checked by/  
Contrôleur de l'installation de votre four:

---

# Table of Contents/ Table des Matières

<b>Introduction</b>		<b>Introduction</b>	
Oven Description and Specifications . . . .	2	Description et Spécifications du Four . . . .	18
<b>Installation</b>		<b>Installation</b>	
Delivery and Location . . . . .	3	Livraison et Implantation . . . . .	19
Oven Assembly . . . . .	4	Montage du Four . . . . .	20
Assembly to Stand . . . . .	4	Assembly to stand . . . . .	20
Assembly to Optional Proofer . . . . .	4	Assembly to optional proofer . . . . .	20
Ventilation . . . . .	5	Ventilation . . . . .	21
Utility Connections –		Branchements de Service –	
Standards and Codes . . . . .	6	Normes et Codes . . . . .	22
Gas Connection . . . . .	7	Branchement de Gaz . . . . .	23
Plumbing and Electrical Connections . . .	10	Raccordement Électrique et Plomberie . .	26
Initial Startup . . . . .	11	Mise en Marche Initiale . . . . .	27
<b>Operation</b>		<b>Utilisation</b>	
Safety Information . . . . .	12	Informations de Sécurité . . . . .	28
Standard Control . . . . .	13	Standard Control . . . . .	29
General Guidelines for		Consignes Générales à l’Intention	
Operating Personnel . . . . .	15	des Utilisateurs . . . . .	31
<b>Maintenance</b>		<b>Entretien</b>	
Cleaning and Preventative Maintenance .	16	Nettoyage et Entretien Préventif . . . . .	32
Troubleshooting Guide . . . . .	17	Guide de Détection des Pannes . . . . .	33



# Introduction

## Oven Description and Specifications

The Blodgett Mini-Rack oven features a continuously rotating eight pan rack and unique airflow system that moves large amounts of air at low velocity to ensure a consistently even bake. The Blodgett rack slide system allows the operator to quickly adjust slide spacing from 1 to 4 inches in

any configuration. In addition, the Mini-Rack oven is capable of producing large volumes of steam for bagels or similar products.

<b>GAS SPECIFICATIONS – XR8-G/AA</b>				
	<b>Natural Gas</b>		<b>Propane Gas</b>	
	<b>US Units</b>	<b>SI Units</b>	<b>US Units</b>	<b>SI Units</b>
Heating Value	1000 BTU/cu. ft.	37.3 MJ/m <sup>3</sup>	2550 BTU/cu. ft.	95.0 MJ/m <sup>3</sup>
Specific Gravity (air=1.0)	0.63	0.63	1.53	1.53
Gas Manifold Pressure	3.5" W.C.	.87 kPa	10" W.C.	2.5 kPa
Oven Input	110,000 BTU/hr	32 kW 116 MJ/hr	110,000 BTU/hr	32 kW 116 MJ/hr
Main Burner Orifice Size: Six burners are Two burners are	.07" dia. .061" dia.	1.7 mm 1.5 mm	.043" dia. .038" dia.	1.0 mm 0.96 mm

<b>PLUMBING SPECIFICATIONS – XR8-G/AA</b>	
<b>Water</b>	
Water Pressure	30 PSI (21 kPa) minimum 75 PSI (52 kPa) maximum
Water Connection	3/4" MGHT
Flow Rate	1.12 gallon/minute (4.24 litre/minute) minimum
<b>Drainage</b>	
Drain Connection	3/4" rear drain to air gap drain



### DELIVERY AND INSPECTION

All Blodgett ovens are shipped in containers to prevent damage. Upon delivery of your new oven:

- Inspect the shipping container for external damage. Any evidence of damage should be noted on the delivery receipt which must be signed by the driver.
- Uncrate the oven and check for internal damage. Carriers will accept claims for concealed damage if notified within fifteen days of delivery and the shipping container is retained for inspection.

**The Blodgett Oven Company cannot assume responsibility for loss or damage suffered in transit. The carrier assumed full responsibility for delivery in good order when the shipment was accepted. We are, however, prepared to assist you if filing a claim is necessary.**

### OVEN LOCATION

The well planned and proper placement of your oven will result in long term operator convenience and satisfactory performance.

The following clearances must be maintained between the oven and any combustible or non-combustible construction.

- Oven body right side – 0" (0 cm)
- Oven body left side – 0" (0 cm)
- Oven body back – 0" (0 cm)
- Oven top – 12" (30.5 cm)

The following clearances must be available for servicing.

- Oven body sides – 12" (30 cm)
- Oven body back – 12" (30 cm)
- Oven top – 12" (30.5 cm)

**NOTE:** *On gas models, routine servicing can usually be accomplished within the limited movement provided by the gas hose restraint. If the oven needs to be moved further from the wall, the gas must first be turned off and disconnected from the oven before removing the restraint. Reconnect the restraint after the oven has been returned to its normal position.*

It is essential that an adequate air supply to the oven be maintained to provide a sufficient flow of combustion and ventilation air.

- Place the oven in an area that is free of drafts.
- Keep the oven area free and clear of all combustibles such as paper, cardboard, and flammable liquids and solvents.
- Do not place the oven on a curb base or seal to a wall. This will restrict the flow of air and prevent proper ventilation. Tripping of the blower motor's thermal overload device is caused by an excessive ambient temperature on the right side of the oven. This condition must be corrected to prevent permanent damage to the oven.
- The location must provide adequate clearance for the air opening into the burners.

Before making any utility connections to this oven, check the rating plate to be sure the oven specifications are compatible with the gas and electrical services supplied for the oven.

1. The rating plate is located behind the control panel.
2. Remove the two screws on the right side of the control panel.
3. Pull the control panel toward the right side of the oven.
4. Pull the control panel away from the oven and rotate out.
5. Reverse steps 2-4 to close the control panel.



# Installation

## Oven Assembly

### ASSEMBLY TO STAND

1. Center the oven frame on top of the stand so that the oven overhangs at both the front and back. See Figure 1.
2. Remove the three screws at the top of the left and right side panels of the oven. Remove the side panels.
3. Align the two bolt holes on each side of the stand with the two threaded holes on each side of the oven. See Figure 1.
4. Insert a bolt from the bottom up through each of the two holes and tighten securely.
5. Reinstall the side panels.

### ASSEMBLY TO OPTIONAL PROOFER

1. Center the oven frame on top of the proofer so that the oven overhangs at both the front and back. See Figure 1.
2. Remove the four screws on the back of the proofer. Remove the left and right side panels.
3. Align the two bolt holes on each side of the proofer with the two threaded holes on each side of the oven. See Figure 1.
4. Insert a bolt from the bottom up through each of the two holes and tighten securely.
5. Reinstall the side panels.

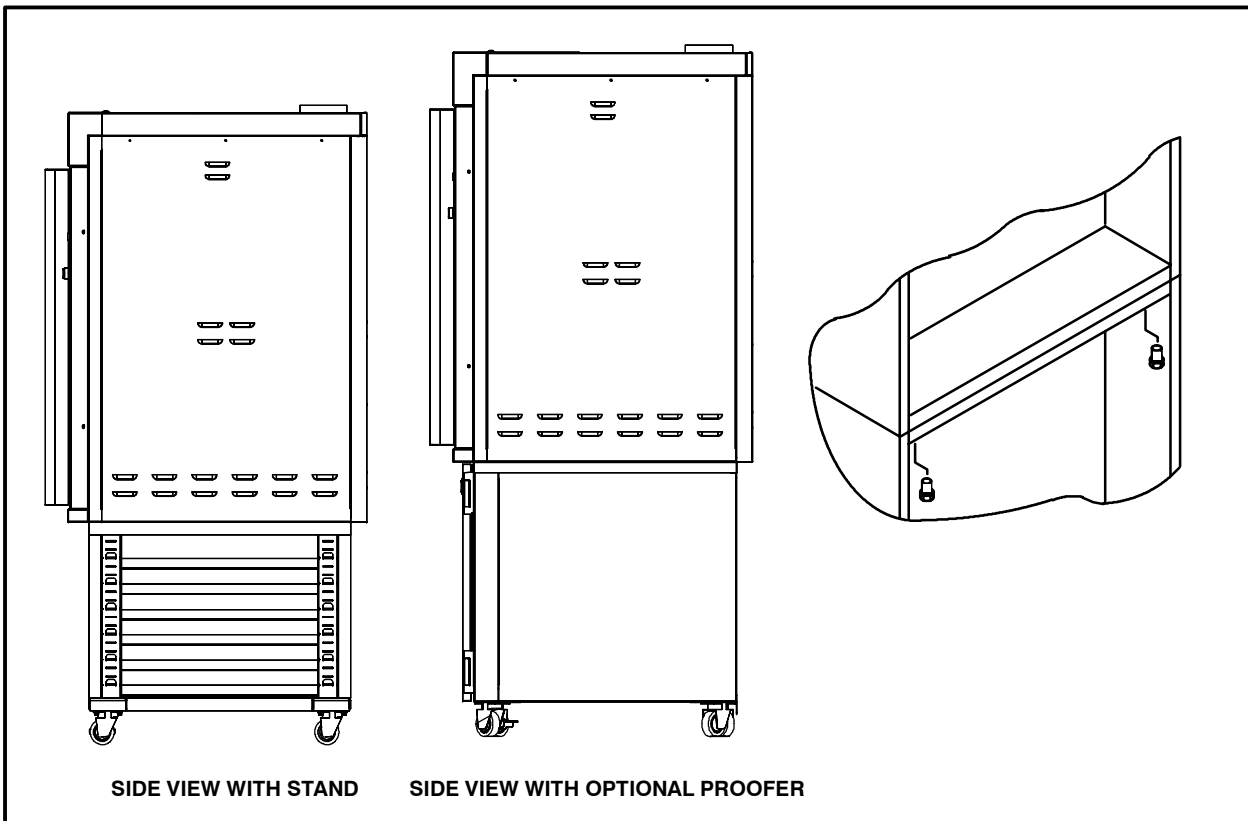


Figure 1





On gas models the installation of a proper ventilation system cannot be over emphasized. This system removes unwanted vapors and products of combustion from the operating area.

### U.S. and Canadian installations

Refer to your local ventilation codes. In the absence of local codes, refer to the National ventilation code titled, *“Standard for the Installation of Equipment for the Removal of Smoke and Grease Laden Vapors from Commercial Cooking Equipment”*, NFPA-96-Latest Edition.

### General export installations

Installation must conform with Local and National installation standards. Local installation codes and/or requirements may vary. If you have any questions regarding the proper installation and/or operation of your Blodgett oven, please contact your local distributor. If you do not have a local distributor, please call the Blodgett Oven Company at 0011-802-860-3700.



### WARNING:

**Failure to properly vent the oven can be hazardous to the health of the operator and may result in operational problems, unsatisfactory baking and possible damage to the equipment.**

**Damage sustained as a direct result of improper ventilation will not be covered by the manufacturer’s warranty.**

### CANOPY TYPE EXHAUST HOOD

A mechanically driven, canopy type exhaust hood is the preferred method of ventilation. The exhaust fan should have an interlock switch with the oven to prevent the oven from operating when the exhaust fan is not running.

The hood should be sized to completely cover the equipment plus an overhang of at least 6” (15 cm) on all sides not adjacent to a wall. The distance from the floor to the lower edge of the hood should not exceed 7’ (2.1m).

The total makeup and exhaust air requirements for hood capacity should be approximately 35 CFM (.99 m<sup>3</sup>/min).



# Installation

## Utility Connections – Standards and Codes

THE INSTALLATION INSTRUCTIONS CONTAINED HEREIN ARE FOR THE USE OF QUALIFIED INSTALLATION AND SERVICE PERSONNEL ONLY. INSTALLATION OR SERVICE BY OTHER THAN QUALIFIED PERSONNEL MAY RESULT IN DAMAGE TO THE OVEN AND/OR INJURY TO THE OPERATOR.

Qualified installation personnel are individuals, a firm, a corporation, or a company which either in person or through a representative are engaged in, and responsible for:

- the installation or replacement of gas piping and the connection, installation, repair or servicing of equipment.
- the installation of electrical wiring from the electric meter, main control box or service outlet to the electric appliance.

Qualified installation personnel must be experienced in such work, familiar with all precautions required, and have complied with all requirements of state or local authorities having jurisdiction.

### U.S. and Canadian installations

Installation must conform with local codes, or in the absence of local codes, with the *ANSI Z83.11a-CSA 1.8a-2004 Gas Food Service Equipment* as applicable.

Installation must conform with local codes, or in the absence of local codes, with the *National Electrical Code, ANSI/NFPA 70—Latest Edition and/or CSA 22.1* as applicable.

### General export installations

Installation must conform with Local and National installation standards. Local installation codes and/or requirements may vary. If you have any questions regarding the proper installation and/or operation of your Blodgett oven, please contact your local distributor. If you do not have a local distributor, please call the Blodgett Oven Company at 0011-802-860-3700.





### GAS PIPING

A properly sized gas supply system is essential for maximum oven performance. Piping should be sized to provide a supply of gas sufficient to meet the maximum demand of all appliances on the line without loss of pressure at the equipment.

#### Example:

*NOTE: BTU values in the following example are for natural gas.*

You purchase a XR8-G rack oven to add to your existing cook line.

- Add the BTU rating of your current appliances.
 

Pitco Fryer	120,000 BTU
6 Burner Range	60,000 BTU
Deck Oven	<u>50,000 BTU</u>
Total	230,000 BTU
- Add the BTU rating of the new oven to the total.
 

Previous Total	230,000 BTU
XR8-G	<u>110,000 BTU</u>
New Total	340,000 BTU
- Measure the distance from the gas meter to the cook line. This is the pipe length. Let's say the pipe length is 30' (9.1 m) and the pipe size is 1" (2.54 cm).
- Use the appropriate table to determine the total capacity of your current gas piping.
 

The total capacity for this example is 375,000 BTU. Since the total required gas pressure, 340,000 BTU is less than 375,000 BTU, the current gas piping will not have to be increased.

*NOTE: The BTU capacities given in the tables are for straight pipe lengths only. Any elbows or other fittings will decrease pipe capacities. Contact your local gas supplier if you have any questions.*

**Maximum Capacity of Iron Pipe in Cubic Feet of Natural Gas Per Hour**  
(Pressure drop of 0.5 Inch W.C.)

Pipe Length (ft)	Nominal Size, Inches				
	3/4"	1"	1-1/4"	1-1/4"	2"
10	360	680	1400	2100	3950
20	250	465	950	1460	2750
30	200	375	770	1180	2200
40	170	320	660	990	1900
50	151	285	580	900	1680
60	138	260	530	810	1520
70	125	240	490	750	1400
80	118	220	460	690	1300
90	110	205	430	650	1220
100	103	195	400	620	1150

From the National Fuel Gas Code Part 10 Table 10-2

**Maximum Capacity of Pipe in Thousands of BTU/hr of Undiluted L.P. Gas at 11" W.C.**  
(Pressure drop of 0.5 Inch W.C.)

Pipe Length (ft)	Outside Diameter, Inches		
	3/4"	1"	1-1/2"
10	608	1146	3525
20	418	788	2423
30	336	632	1946
40	287	541	1665
50	255	480	1476
60	231	435	1337
70	215	404	1241
80	198	372	1144
90	187	351	1079
100	175	330	1014

From the National Fuel Gas Code Part 10 Table 10-15



# Installation

## Gas Connection

### PRESSURE REGULATION AND TESTING

XR8-G ovens are rated at 110,000 BTU/Hr. (32 kW) (116 MJ/hr). Each oven has been adjusted at the factory to operate with the type of gas specified on the rating plate.

Inlet Pressure					
	Natural		Propane		
	Min	Max	Min	Max	
W.C.	6.0	14.0	11.0	14.0	
kPa	1.2	3.5	2.7	3.5	
Manifold Pressure					
	Natural		Propane		
	W.C.		10.0		
kPa		.87		2.5	

- **Inlet Pressure** – the pressure of the gas before it reaches the oven.
- **Manifold Pressure** – the pressure of the gas as it enters the main burner(s).
- **Min** – the minimum pressure recommended to operate the oven.
- **Max** – the maximum pressure at which the manufacturer warrants the oven's operation.

Each oven is supplied with a regulator to maintain the proper gas pressure. **The regulator is essential to the proper operation of the oven and should not be removed.** It is preset to provide the oven with 3.5" W.C. (.87 kPa) for natural gas and 10.0" W.C. (2.5 kPa) for Propane at the manifold.

DO NOT INSTALL AN ADDITIONAL REGULATOR WHERE THE OVEN CONNECTS TO THE GAS SUPPLY UNLESS THE INLET PRESSURE IS ABOVE MAXIMUM.

Prior to connecting the oven, gas lines should be thoroughly purged of all metal filings, shavings, pipe dope, and other debris. After connection, the oven should be checked for correct gas pressure.

The oven and its individual shutoff valve must be disconnected from the gas supply piping system during any pressure testing of that system at test pressures in excess of 1/2 psig (3.45kPa).

The oven must be isolated from the gas supply piping system by closing its individual manual shutoff valve during any pressure testing of the gas piping system at test pressures equal or less than 1/2 psig (3.45kPa).

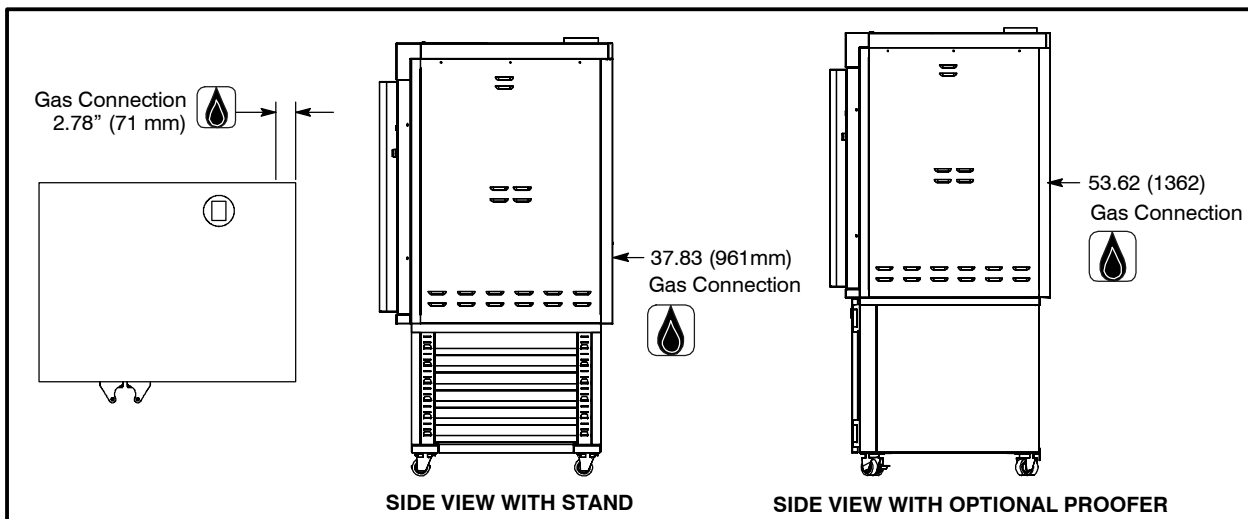


Figure 2



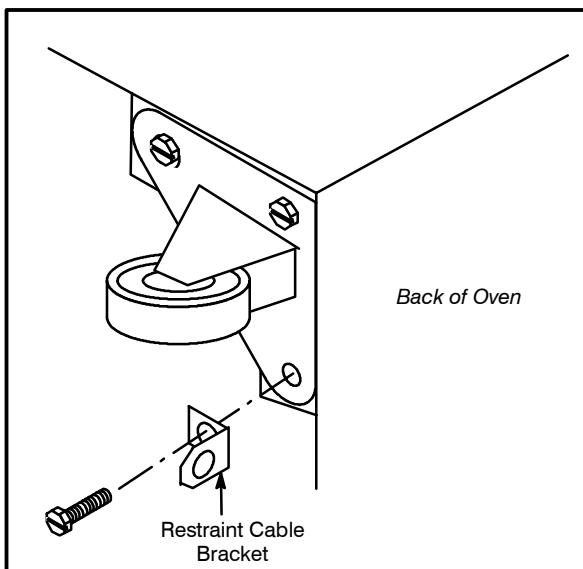
### GAS HOSE RESTRAINT

If the oven is mounted on casters, a commercial flexible connector with a minimum of 3/4" (1.9 cm) inside diameter must be used along with a quick connect device.

The restraint, supplied with the oven, must be used to limit the movement of the unit so that no strain is placed upon the flexible connector. With the restraint fully stretched the connector should be easy to install and quick connect.

The restraint (ie: heavy gauge cable) should be 1,000 lb. (453 kg) test load and should be attached without damaging the building. **DO NOT** use the gas piping or electrical conduit for the attachment of the permanent end of the restraint! Use anchor bolts in concrete or cement block. On wooden walls, drive hi test wood lag screws into the studs of the wall.

1. Mount the supplied bracket to the leg bolt below the gas inlet. See Figure 3.
2. Attach the clip on restraining cable to the mounting bracket.



**Figure 3**



### WARNING!!

**If the restraint is disconnected for any reason it must be reconnected when the oven is returned to its original position.**

### U.S. and Canadian installations

The connector must comply with the *Standard for Connectors for Movable Gas Appliances, ANSI Z21.69 • CSA 6.16* and a quick disconnect device that complies with the *Standard for Quick-Disconnect Devices for Use With Gas Fuel, ANSI Z21.41 • CSA 6.9*. Adequate means must be provided to limit the movement of the appliance without depending on the connection and the quick disconnect device or its associated piping.

### General export installations

The restraint and quick connect must conform with Local and National installation standards. Local installation codes and/or requirements may vary. If you have any questions regarding the proper installation and/or operation of your Blodgett oven, please contact your local distributor. If you do not have a local distributor, please call the Blodgett Oven Company at 0011-802-860-3700.



# Installation

## Plumbing and Electrical Connections

### PLUMBING CONNECTIONS



#### WARNING!!

**Plumbing connections must comply with applicable sanitary, safety and plumbing codes.**

#### Water Connections

Water supply should meet the following conditions. Consult your local water company before installing the oven.

- Hardness of 4-6 grains per gallon (100ppm max)
  - PH of 6.5 to 8.0
  - Chlorides less than 30 PPM
1. Connect the cold water supply to the 3/4" MGHT connection on the back of the oven with the water line provided. Supply pressure should be 30 to 75 psi (207 to 517 kPa) when the steam solenoid is open. The water regulator on the oven itself must be set to 15 psi (103 kPa) when the steam solenoid is open.

#### Drain Connections

1. Connect drain line to the 3/4" NPT drain connection on the back of the oven.
2. Route the drain line to a floor drain. Allow a 1" air gap between the drain line and the floor drain.

*NOTE: When the oven is stacked on a proofer a separate drain line should be installed. If a second drain line is not possible, provide a vent opening in the drain line above the oven drain connection. Be sure to provide enough drop so the oven drain will not flood the proofer cabinet.*

### ELECTRICAL CONNECTIONS

Wiring diagrams are located in the right bodyside.

This oven is supplied for connection to a 120 volt grounded circuit. The electric motor, indicator lights and related switches are connected through the 6' electric supply cord found at the rear of the oven.

*NOTE: When the oven is installed with a proofer a separate 120 volt grounded circuit will be required.*



#### WARNING!!

**This appliance is equipped with three prong grounding type plug for your protection against shock hazard and should be plugged directly into a properly grounded three prong receptacle. DO NOT cut or remove the grounding prong from this plug.**

THE BLODGETT OVEN COMPANY CANNOT ASSUME RESPONSIBILITY FOR LOSS OR DAMAGE SUFFERED AS A RESULT OF IMPROPER INSTALLATION.

### ELECTRICAL SPECIFICATIONS

Model	Hz	Volts	Phase	Amps	Electrical Connection (minimum size)
XR8-G	60	120	1	5	Cord set provided



The following is a check-list to be completed by qualified personnel prior to turning on the appliance for the first time.

- Verify there are no gas leaks, by checking all gas connections with a soapy water solution. Repair leaks if necessary.
- Verify there are no water leaks to the oven. Repair leaks if necessary.
- Verify rack rotation as follows: Open oven doors and turn the power switch to ON. Close the doors and enter bake time of two minutes. Press start. Verify the rack rotates smoothly. Open the doors. Verify the rack stops square to the door opening. If rack does not rotate and fan does not circulate, door switch may be out of adjustment.

With the main burner on, check the following:

- Set the oven temperature to 300°F. Verify that the oven comes up to set temperature.
- Set a steam time of 20 seconds. Verify that the oven water pressure is 15 psi when the water solenoid valve is open. The water pressure gauge is located under the right side panel of the oven. Panel must be removed.
- Verify that the gas inlet pressure is correct. The inlet pressure can be checked at the pressure tap located on the gas valve.
- Verify that the manifold pressure is correct. The manifold pressure can be checked at the outlet pressure tap located on the burner gas manifold elbow located on top of the oven.
- If the above pressure readings are set to the recommended pressure requirements, allow the oven to burn-off for two hours with oven vent opened. If the pressure readings are not set correctly, turn off the oven and readjust accordingly. Then recheck pressure readings.



### WARNING

**The break in procedure burns off excess oils present in the metals during fabrication. Smoke may be produced. Proper ventilation is required.**

### ADJUSTMENTS ASSOCIATED WITH INITIAL INSTALLATION

Each oven, and its component parts, have been thoroughly tested and inspected prior to shipment. However, it is often necessary to further test or adjust the oven as part of a normal and proper installation. These adjustments are the responsibility of the installer, or dealer. Since these adjustments are not considered defects in material or workmanship, they are not covered by the Original Equipment Warranty. They include, but are not limited to:

- calibration of the thermostat
- adjustment of the doors
- burner adjustments
- leveling
- testing of gas pressure
- tightening of fasteners
- rack rotation stop position

No installation should be considered complete without proper inspection, and if necessary, adjustment by qualified installation or service personnel.



# Operation

## Safety Information

THE INFORMATION CONTAINED IN THIS SECTION IS PROVIDED FOR THE USE OF QUALIFIED OPERATING PERSONNEL. QUALIFIED OPERATING PERSONNEL ARE THOSE WHO HAVE CAREFULLY READ THE INFORMATION CONTAINED IN THIS MANUAL, ARE FAMILIAR WITH THE FUNCTIONS OF THE OVEN AND/OR HAVE HAD PREVIOUS EXPERIENCE WITH THE OPERATION OF THE EQUIPMENT DESCRIBED. ADHERENCE TO THE PROCEDURES RECOMMENDED HEREIN WILL ASSURE THE ACHIEVEMENT OF OPTIMUM PERFORMANCE AND LONG, TROUBLE-FREE SERVICE.

Please take the time to read the following safety and operating instructions. They are the key to the successful operation of your Blodgett mini rack oven.



### SAFETY TIPS

**For your safety read before operating**

#### What to do if you smell gas:

- DO NOT try to light any appliance.
- DO NOT touch any electrical switches.
- Use an exterior phone to call your gas supplier immediately.
- If you cannot reach your gas supplier, call the fire department.

#### What to do in the event of a power failure:

1. Turn all switches to off.
2. DO NOT attempt to operate the oven until the power is restored.

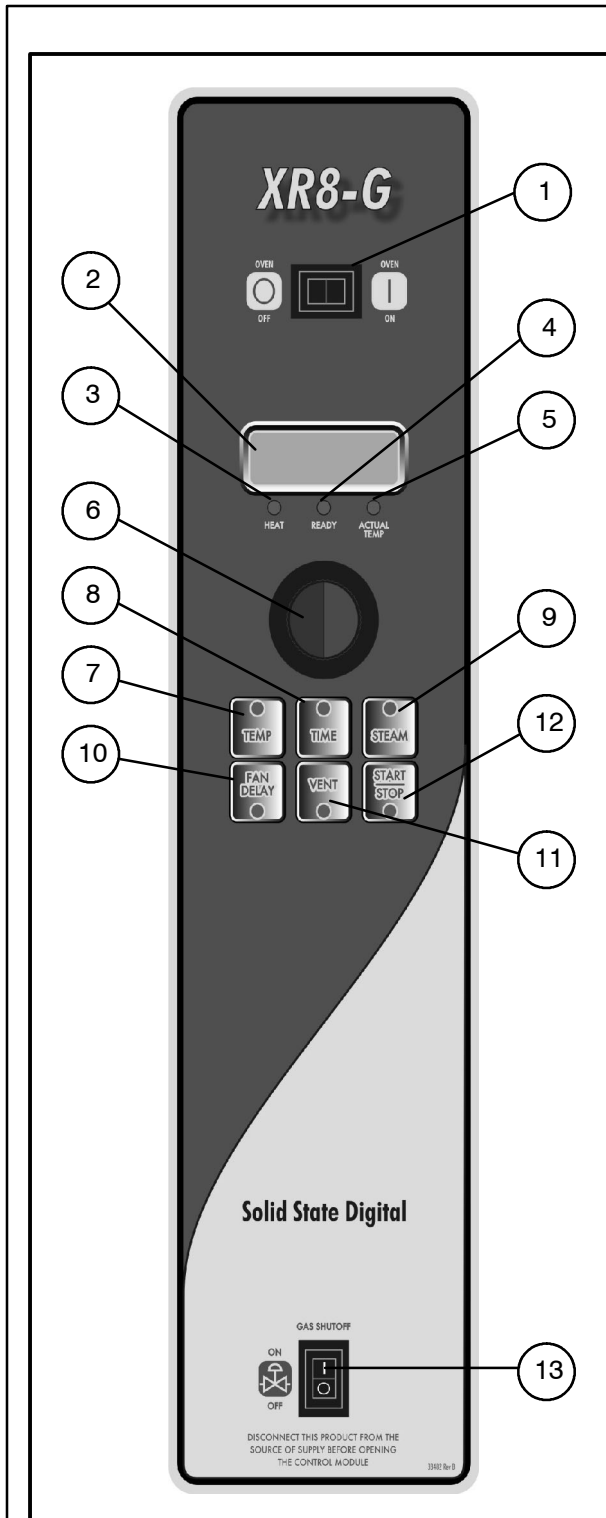
*NOTE: In the event of a shut-down of any kind, allow a five (5) minute shut off period before attempting to restart the oven.*

#### General safety tips:

- DO NOT use tools to turn off the gas control. If the gas cannot be turned off manually do not try to repair it. Call a qualified service technician.
- If the oven needs to be moved for any reason disconnect the water. The gas must be turned off and disconnected from the unit before removing the restraint cable. Reconnect the restraint after the oven has been returned to its original location.
- DO NOT remove the control panel cover or right body panel unless the oven is unplugged.
- The rack will stop/finish rotating when the doors are opened.



## Solid State Digital Control



**Figure 4**

### CONTROL DESCRIPTION

1. POWER SWITCH - controls power to the oven
2. DISPLAY - displays time, temperature and programming information
3. HEAT LED - lights when the burners are on
4. READY LED - lights when oven has reached the preset temperature
5. ACTUAL TEMP LED - lights when temp key is pressed, actual temp is displayed
6. SELECTION DIAL - use to enter time, temperature and programmable settings. Turn clockwise to increase or counter-clockwise to decrease values in display.
7. TEMP KEY - press to program the bake temperature or display the actual oven temperature
8. TIME KEY - press to program the bake time or display the time during a bake cycle
9. STEAM KEY - press to program steam time to inject a burst of steam
10. FAN DELAY KEY - press to program a time delay for fan and heat during and after steaming
11. VENT KEY - press to manually open and close the oven vent
12. START/STOP KEY - press to start, stop or pause the bake
13. GAS SHUTOFF SWITCH - controls gas flow to the oven



# Operation

## Standard Control

### OPERATION

#### Oven Startup

1. Be sure the GAS SHUTOFF SWITCH (13) is in the on position.
2. Turn the POWER SWITCH (1) to the on position. The HEAT LED (3) lights and the oven preheats to the last used set temperature.

#### Programming a Bake Cycle

1. Press the TEMP KEY (7). Turn the DIAL (6) to the desired bake temperature.
2. Press the TIME KEY (8). Turn the DIAL (6) to the desired bake time.
3. If steam is desired, press the STEAM KEY (9). Turn the DIAL (6) to the desired steam time. Steam may be programmed for the beginning of the bake cycle for up to two minutes.
4. If you wish to delay the rotation of the convection fan at the beginning of the bake cycle, press the FAN DELAY (10) key. Turn the DIAL (6) to the desired fan delay time.
5. Press the START/STOP KEY (12) to begin the bake cycle. The oven rack rotates.

#### During the Bake Cycle

1. To view the remaining bake time, press the TIME KEY (8).
2. To view the actual oven temperature, press the TEMP KEY (7).
3. To inject up to two minutes of steam during the bake cycle, press the STEAM KEY (9).
4. To vent moisture from the oven cavity, press the VENT KEY (11). This manually opens the oven vent until the key is pressed again to close it.
5. To pause a bake cycle at any point, press the START/STOP KEY (12). The cycle will pause until the key is pressed again.

#### At the End of the Bake Cycle

1. At the end of the bake cycle, an alarm sounds, the display reads DONE and the rack continues to rotate until the door is opened. Press the START/STOP KEY (12) to silence the alarm.
2. Open the door to remove the product.

#### Oven Shutdown

1. Turn the POWER SWITCH (1) to the off position.

## General Guidelines for Operating Personnel

### BAKE TIMES AND TEMPERATURES

#### Preheating the oven

Always preheat the oven before baking or roasting. We recommend preheating 50°F (10°C) above the bake temperature to offset the drop in temperature when the doors are opened and cold product is loaded into the oven. Set the thermostat to the bake temperature after the product is loaded.

#### Bake Time

Check the product in about half the time recommended for deck or range oven recipes. Record times and temperatures which provide best results for future reference.

*NOTE: Bake time will vary with the amount of product loaded, the type of pan and the temperature.*

### OPERATING TIPS

#### Pans and Racks

Product or pan height determines how many racks are used. The oven holds up to eight 18" x 24" (45.7 x 61 cm) bun pans with 4" rackspacing.

Load the oven from the bottom, centering the pans on the rack.

#### Roasting

To reduce shrinkage when roasting, place meat directly on the racks. Place a sheet pan one-half full of water in the bottom rack position. The water evaporates, increasing humidity in the oven chamber. The pan catches grease from the meat, making oven cleaning easier.

#### Fans

The fan must be operating for the oven to heat. To avoid rippling of batter product use the following procedure.

1. Preheat the oven 25°F (15°C) above the baking temperature.
2. Load the oven with product. Close the doors.
3. Set the thermostat to the baking temperature.
4. Set the blower delay for two minutes.

#### Cool Down Mode

To facilitate cooling the oven to a lower temperature, press the TEMP KEY (7) and turn the DIAL (6) to the left until the display reads COOL.



# Maintenance

## Cleaning and Preventative Maintenance

### CLEANING THE OVEN

Stainless steel ovens may be kept clean and in good condition with a light oil. Deposits of baked on splatter, heat tint and heavy discoloration may be removed with any non-toxic industrial stainless steel cleaner.

1. Apply cleaners when the oven is cold. Always rub with the grain of the metal.
2. Dry the oven with a clean cloth.

Clean interior parts as follows:

1. Remove the rack from the oven.
2. Soak the parts in a solution of ammonia and water.
3. Reinstall after cleaning.

*NOTE: If the oven is moved the restraint must be reconnected after the unit is returned to it's regular position.*

### PREVENTATIVE MAINTENANCE

The best preventative maintenance measures are, the proper installation of the equipment and a program for routinely cleaning the ovens.

#### Annual Maintenance

This oven requires no lubrication. Maintenance should be based on hours of usage. Refer to OSHA specifications for maintenance intervals.

If maintenance or repairs are required, contact your local Blodgett service company, a factory representative or the Blodgett Oven company.

*NOTE: All service functions can be reached from the top of the oven or by removing the right side body panel.*



#### **WARNING!!**

**Always disconnect the appliance from the power supply before servicing or cleaning.**

## Troubleshooting Guide

POSSIBLE CAUSE(S)	SUGGESTED REMEDY
SYMPTOM: Oven will not fire.	
<ul style="list-style-type: none"> <li>• Gas turned off.</li> <li>• Oven not plugged in.</li> <li>• Power switch on the control panel is off.</li> <li>• Control set below ambient temperature.</li> <li>• Doors are open.</li> <li>• No draft on the burner.</li> </ul>	<ul style="list-style-type: none"> <li>• Turn the gas valve to ON.</li> <li>• Plug in electrical supply cord.</li> <li>• Set the control panel to ON.</li> <li>• Set to desired cook temperature.</li> <li>• Close doors.</li> <li>• Check draft inducer opening.</li> </ul>
SYMPTOM: Oven does not come to ready.	
<ul style="list-style-type: none"> <li>• The oven has not reached preheat temperature.</li> <li>• Gas valve not turned on completely.</li> <li>• The quick disconnect is not connected.</li> <li>• Gas pressure to oven is too low.</li> <li>• Internal problem with main temperature control.</li> </ul>	<ul style="list-style-type: none"> <li>• Wait for oven to reach preheat temperature.</li> <li>• Check the gas valve, turn on fully if necessary.</li> <li>• Reconnect the quick connect. Check all gas connections.</li> <li>• Call your local gas representative.</li> <li>• *</li> </ul>
SYMPTOM: Convection fan does not run.	
<ul style="list-style-type: none"> <li>• Oven is not plugged in.</li> <li>• Circuit breaker tripped.</li> <li>• Doors are open</li> <li>• Blower delay was set.</li> </ul>	<ul style="list-style-type: none"> <li>• Plug in electrical supply cord.</li> <li>• Reset the breaker.</li> <li>• Close doors.</li> <li>• Reset blower delay time.</li> </ul>
SYMPTOM: General baking problems.	
<ul style="list-style-type: none"> <li>• Thermostat out of calibration.</li> <li>• Improper oven venting.</li> </ul>	<ul style="list-style-type: none"> <li>• *</li> <li>• *</li> </ul>
SYMPTOM: Rack does not stop rotating after doors are opened or rack stops in wrong position.	
<ul style="list-style-type: none"> <li>• Rack rotator switch out of position</li> </ul>	<ul style="list-style-type: none"> <li>• Reposition rack rotator switch</li> </ul>
<p>*Denotes remedy is a difficult operation and should be performed by qualified personnel only. It is recommended, however, that All repairs and/or adjustments be done by your local Blodgett service agency and not by the owner/operator. Blodgett cannot assume responsibility for damage as a result of servicing done by unqualified personnel.</p>	



**WARNING!!**

**Always disconnect the power supply before cleaning or servicing the oven.**



# Introduction

## Description et Spécifications du Four

Le four à mini-grille de Blodgett comprend une grille à rotation continue pouvant accepter jusqu'à huit tôles et un système de circulation d'air qui déplace beaucoup d'air à faible vitesse pour assurer une cuisson uniforme et constante. Le système de glissement des grilles de Blodgett permet à l'opérateur de régler rapidement l'écartement entre

chaque grille de 25 à 102 mm (1 à 4 po), dans n'importe quelle configuration. De plus, le four à mini-grille peut produire une grande quantité de vapeur pour la cuisson de bagels ou de produits semblables.

SPECIFICATIONS POUR GAZ – XR8-G/AA				
	Gaz Naturel		Gaz Propane	
	Unités US	Unités SI	Unités US	Unités SI
Valeur de Chauffe	1000 BTU/cu. ft.	37.3 MJ/m <sup>3</sup>	2550 BTU/cu. ft.	95.0 MJ/m <sup>3</sup>
Gravité Spécifique (air=1.0)	0.63	0.63	1.53	1.53
Pression du collecteur	3.5" W.C.	.87 kPa	10" W.C.	2.5 kPa
Pression arrivée de gaz au collecteur	110,000 BTU/hr	32 kW 116 MJ/hr	110,000 BTU/hr	32 kW 116 MJ/hr
Brûleur principal taille orifice six brûleurs sont deux brûleurs sont	.07" dia. .061" dia.	1.7 mm 1.5 mm	.043" dia. .038" dia.	1.0 mm 0.96 mm

SPÉCIFICATIONS DE PLOMBERIE – XR8-G/AA	
<b>Eau</b>	
Pression d'eau	30 lb/po2 (21 kPa) minimum 75 lb/po2 (52 kPa) maximum
Raccordement d'eau	3/4" MGHT
Débit de l'eau	1.12 gallon par minute (4.24 litre par minute) minimum
<b>Drainage</b>	
Raccordement du drain	3/4" drain arrière au drain d'espace d'air



### LIVRAISON ET INSPECTION

Tous les fours sont expédiés en conteneurs. A la réception de votre four Blodgett vous devez:

- Vérifier que les emballages ne sont pas abimés. Toute défection dans l'emballage doit être notée sur l'accusé de réception de la marchandise; celui-ci doit être signé par le chauffeur.
- Sortir le four de son emballage et vérifier son bon état. Les transporteurs n'acceptent les réclamations et plaintes que si elles sont faites dans les quinze jours qui suivent la livraison et si l'emballage a été conservé afin d'être inspecté.

**La Blodgett Oven Co., n'est pas responsable des dégâts subis pendant le transport. Le transporteur est seul responsable de la livraison du matériel en bon état lorsque l'expédition a été acceptée. Néanmoins, nous sommes à votre disposition pour vous aider à composer votre dossier de réclamation.**

### IMPLANTATION DU FOUR

L'implantation correcte et bien étudiée du four sera à l'avantage à long terme de l'opérateur et permettra d'obtenir un rendement satisfaisant.

Les espaces de dégagement ci-dessous doivent être prévus entre le four et toute construction combustible ou non.

- Côté droit du four – 0" (0 cm)
- Côté gauche du four – 0" (0 cm)
- Arrière du four – 0" (0 cm)
- Dessous du four – 12" (30.5 cm)

Les espaces de dégagement ci-dessous doivent être possible pour permettre l'entretien.

- Côtés du four – 12" (30 cm)
- Arrière du four – 12" (30 cm)
- Dessous du four – 12" (30.5 cm)

*REMARQUE: L'entretien régulier peut en général être effectué dans les limites du déplacement que permet la chaîne de retenue. Si le four doit être plus écarté du mur, l'alimentation en gaz doit être coupée et la canalisation débranchée du four avant d'enlever la chaîne. Celle-ci doit être utilisée pour empêcher d'exercer toute contrainte sur le coupleur de gaz.*

Il est essentiel qu'une circulation d'air adéquate au four soit maintenue pour apporter un débit d'air de combustion et de ventilation suffisant.

- L'emplacement ne doit pas avoir de courants d'air.
- Maintenez la zone du four libre et dégagée de tous matériaux combustibles tels que le papier, le carton, ainsi que les liquides et solvants inflammables.
- Évitez de placer le four sur une base courbée ou de le fixer à un mur, afin de ne pas restreindre la circulation d'air et d'empêcher ainsi une aération adéquate. Le déclenchement du dispositif de surcharge thermique du moteur à soufflerie est causé par une température ambiante excessive du côté droit du four. Cette condition doit être corrigée pour ne pas endommager le four en permanence.
- L'emplacement doit procurer un jeu adéquat pour l'ouverture de ventilation des brûleurs.

Veillez vérifier le tableau de spécifications avant d'effectuer tout branchement sur ce four afin de vous assurer que les spécifications de ce four sont compatibles avec le gaz d'arrivée au four.

1. La plaque signalétique est installée derrière le panneau des commandes.
2. Retirez les deux vis du côté droit du panneau des commandes.
3. Tirez le panneau vers le côté droit du four.
4. Tirez sur le panneau en l'éloignant du four et en le tournant vers l'extérieur.
5. Inversez les étapes 2 à 4 pour fermer le panneau.



# Installation

## Montage du Four

### ASSEMBLAGE SUR UN STAND

1. Centrez le châssis du four sur le dessus du stand de manière que le four surplombe ce dernier à l'avant et à l'arrière. Voir la Figure 1.
2. Enlevez les trois vis sur le dessus des panneaux latéraux gauche et droit du four, puis retirez les deux panneaux.
3. Alignez les deux trous de boulons de chaque côté du stand avec les deux trous filetés de chaque côté du four. Voir la Figure 1.
4. Insérez un boulon de bas en haut à travers chacun des deux trous; serrez-les fermement.
5. Réinstallez les panneaux latéraux.

### ASSEMBLAGE SUR UNE ÉTUVE DE FERMENTATION OPTIONNELLE

1. Centrez le châssis du four sur le dessus de l'étuve de manière que le four la surplombe à l'avant et à l'arrière. Voir la Figure 1.
2. Enlevez les quatre vis à l'arrière de l'étuve, puis retirez les panneaux gauche et droit.
3. Alignez les deux trous de boulons de chaque côté de l'étuve avec les deux trous filetés de chaque côté du four. Voir la Figure 1.
4. Insérez un boulon de bas en haut à travers chacun des deux trous; serrez-les fermement.
5. Réinstallez les panneaux latéraux.

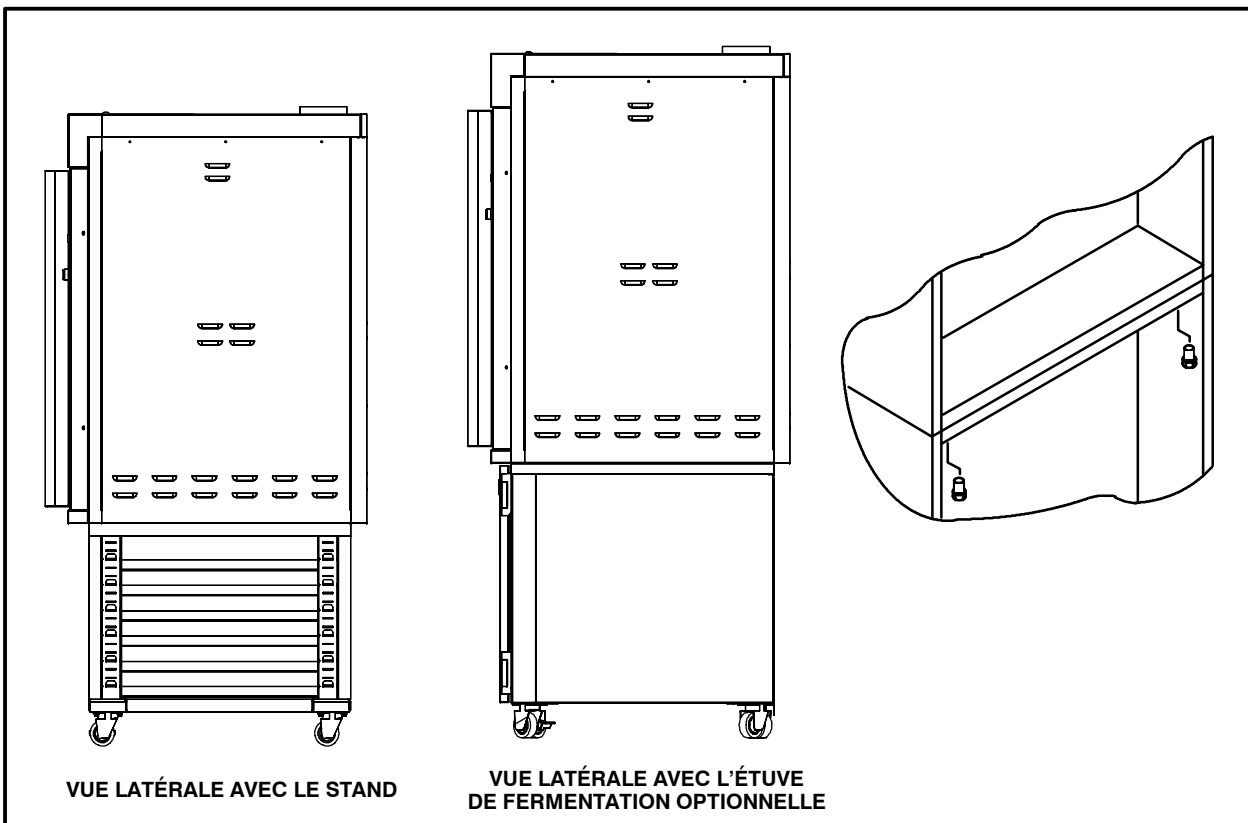


Figure 1





Un système de ventilation planifié et installé est absolument nécessaire car il permet un bon fonctionnement du four tout en débarrassant la surface de travail des buées et résidus de combustion.

### **Installation aux États-Unis et au Canada**

Se reporter aux codes locaux de la ventilation. En l'absence de codes locaux, se reporter au code national de la ventilation intitulé "Normes pour l'installation d'équipements pour l'enlèvement des fumées et vapeurs grasses provenant d'équipements commerciaux pour la cuisine", NFPA-96-Édition la plus récente.

### **Généralités concernant les installations à l'exportation**

Les installations doivent être conformes avec les normes d'installation locales et nationales. Les codes locaux d'installation peuvent varier. Pour toute question concernant l'installation et/ou le fonctionnement correct du four Blodgett, prendre contact avec le distributeur local. S'il n'y a pas de distributeur local, appeler la Blodgett Oven Company au 0011-802-860-3700.



### **AVERTISSEMENT:**

**Un mauvais système d'aération peut aboutir à un mauvais fonctionnement du four, des résultats de cuisson peu satisfaisants; il peut également abîmer l'appareil.**

**Les dégâts causés par une mauvaise ventilation ne sont pas couverts par la garantie du fabricant.**

### **HOTTE D'ÉVACUATION TYPE VOÛTE**

La méthode de ventilation la meilleure est celle qui utilise une hotte de ventilation adéquate à mécanique. Le ventilateur d'évacuation doit être muni d'un interrupteur de sécurité pour empêcher le four de fonctionner lorsque le ventilateur n'est pas en marche.

La hotte doit être conçue pour couvrir la totalité de l'appareil à ventiler avec en plus un surplomb de 15 cm (6") de chaque côté de l'appareil non adjacent au mur. La distance du plancher à l'extrémité la plus basse de la hotte ne doit pas dépasser sept 2.1m (7').

Le volume total d'air neuf et d'évacuation à considérer lors de la détermination de la capacité de hotte nécessaire est d'environ 35 CFM (.99 m<sup>3</sup>) pour chaque section de four.



# Installation

## Branchements de Service – Normes et Codes

LES CONSEILS D'INSTALLATION ET D'ENTRETIEN CONTENUS DANS CE MANUEL NE S'ADRESSENT QU'À UN PERSONNEL QUALIFIÉ. UN PERSONNEL NON QUALIFIÉ PEUT SE BLESER ET/OU ABÎMER LE FOUR LORS DE SON INSTALLATION ET/OU SON ENTRETIEN.

Un personnel d'installation qualifié est représenté soit par des personnes physiques, soit par un société, une usine, une corporation qui en personne ou par l'intermédiaire d'un représentant s'engage à et est responsable de:

- l'installation ou le remplacement de conduits de gaz, ou le branchement, l'installation, la réparation ou l'entretien de l'équipement.
- l'installation du câblage électrique reliant le compteur d'électricité, l'armoire électrique ou la prise de courant à l'appareil électrique.

Le personnel d'installation qualifié doit être expérimenté dans ce type de travail, s'être familiarisé avec toutes les précautions requises et respecter tous les règlements promulgués par les autorités provinciales ou locales compétentes.

### Installation aux États-Unis et au Canada

Les branchements de gaz doivent être en accord avec les codes locaux, ou en l'absence de codes locaux, avec le *ANSI Z83.11a-CSA 1.8a-2004 Équipement De Service d'alimentation De Gaz* si applicable.

L'installation doivent être en accord avec les codes locaux, ou en l'absence de codes locaux, avec le *Code Électrique National (National Electrical Code)*, *ANSI/NFPA 70-Dernière édition et/or Code Électrique Canadien CSA C22.1* si applicable.

### Généralités concernant les installations à l'exportation

Les installations doivent être conformes avec les normes d'installation locales et nationales. Les codes locaux d'installation peuvent varier. Pour toute question concernant l'installation et/ou le fonctionnement correct du four Blodgett, prendre contact avec le distributeur local. S'il n'y a pas de distributeur local, appeler la Blodgett Oven Company au 0011-802-860-3700.





### CONDUIT DE GAZ

Un système d'alimentation en gaz de bon calibre est essentiel pour obtenir le meilleur rendement du four. Les conduits doivent être calibrés pour fournir suffisamment de gaz pour alimenter tous les appareils sur le conduit sans perte de pression à l'équipement.

#### Exemple:

*REMARQUE: Les valeurs en BTU de l'exemple suivant sont pour le gaz naturel.*

Achat d'un four à convection XR8-G qui doit être ajouté sur la conduite de cuisson existante.

1. Additionner les valeurs nominales en BTU des appareils utilisés.

Friteuse Pitco	120,000 BTU
Cuisinière 6 brûleurs	60,000 BTU
Four	<u>50,000 BTU</u>
Total	230,000 BTU

2. À ce total, ajouter la valeur nominale en BTU du nouveau four.

Total précédent	230,000 BTU
XR8-G	<u>110,000 BTU</u>
Nouveau total	340,000 BTU

3. Mesurer la distance entre le compteur à gaz et la conduite de cuisson. Ceci est la longueur de tuyau. Disons que la longueur de tuyau est de 9,1 mètres (30') et le calibre du tuyau est de 2,54 cm (1").

4. Se reporter au tableau approprié pour déterminer la capacité totale de la conduite de gaz actuelle.

Pour cette exemple, la capacité totale est de 375,000 BTU, la conduite de gaz actuelle n'a pas besoin d'être augmentée.

*REMARQUE: Les capacités en BTU données sur les tableaux sont uniquement pour des longueurs droites de tuyaux. Tous les coudes et autres raccords diminuent la capacités de la conduite. Pour toute autre question, prendre contact avec la compagnie locale de distribution du gaz.*

### Maximum Capacity of Iron Pipe in Cubic Feet of Natural Gas Per Hour

(chute de pression de 13 mm (0,5 po) à la colonne d'eau)

Longueur de conduit pieds	Dimensions nominales				
	3/4"	1"	1-1/4"	1-1/4"	2"
10	360	680	1400	2100	3950
20	250	465	950	1460	2750
30	200	375	770	1180	2200
40	170	320	660	990	1900
50	151	285	580	900	1680
60	138	260	530	810	1520
70	125	240	490	750	1400
80	118	220	460	690	1300
90	110	205	430	650	1220
100	103	195	400	620	1150

*Du Code national du gaz carburant Partie 10 Tableau 10-2*

### Maximum Capacity of Pipe in Thousands of BTU/hr of Undiluted L.P. Gas at 11" W.C.

(chute de pression de 13 mm (0,5 po) à la colonne d'eau)

Longueur de conduit pieds	Diamètre extérieur		
	3/4"	1"	1-1/2"
10	608	1146	3525
20	418	788	2423
30	336	632	1946
40	287	541	1665
50	255	480	1476
60	231	435	1337
70	215	404	1241
80	198	372	1144
90	187	351	1079
100	175	330	1014

*Du Code national du gaz carburant Partie 10 Tableau 10-15*



# Installation

## Branchement de Gaz

### RÉGLAGE ET TEST DE PRESSION

Les fours XR8-G ont une capacité nominale de 32 kW (116 MJ) (110,000 BTU/Hr). Tous les fours sont réglés en usine en fonction du type de gaz spécifié sur la plaque signalétique.

Pression à l'entrée				
	Gaz Naturel		Gaz Propane	
	Min	Max	Min	Max
W.C.	6.0	14.0	11.0	14.0
kPa	1.2	3.5	2.7	3.5
Pression au collecteur				
	Gaz Naturel		Gaz Propane	
	W.C.		10.0	
kPa		.87	2.5	

- **Pression à l'entrée** – Pression du gaz d'arrivée, avant l'entrée du four.
- **Pression au Collecteur** – Pression du gaz à l'entrée du ou des brûleurs principaux.
- **Min** – Pression recommandée pour le fonctionnement du four.
- **Max** – Pression maximale à laquelle le fabricant garantit le fonctionnement du four.

Pour maintenir la bonne pression de gaz, chaque four est livré avec un régulateur. **Le régulateur est essentiel pour le fonctionnement correct du four et il ne doit pas être retiré.** Il est préréglé pour alimenter le four avec une pression de gaz naturel au collecteur de .87 kPa (3.5" WC) à la colonne d'eau]] et une pression de propane au collecteur de 2.59 kPa (10.0" WC).

**NE PAS INSTALLER DE RÉGULATEUR SUPPLÉMENTAIRE OÙ LE FOUR SE CONNECTE SUR L'ALIMENTATION DE GAZ SAUF SI LA PRESSION D'ENTRÉE EST AU-DESSUS DU MAXIMUM.**

Avant le raccordement du four, veillez à bien purger les conduites de gaz de toutes rognures métalliques, limaille, bavures d'enduit et autres débris. Après le raccordement, vérifiez la pression du gaz.

Le four et sa vanne d'arrêt individuelle doivent être déconnectés du système d'alimentation en cas de test des conduites à pression manométrique supérieure à 1/2 psi (3.45 kPa).

En cas de test à pression manométrique de 1/2 psi (3.45 kPa) ou moindre, le four doit être isolé du système par la fermeture de sa vanne d'arrêt manuelle individuelle.

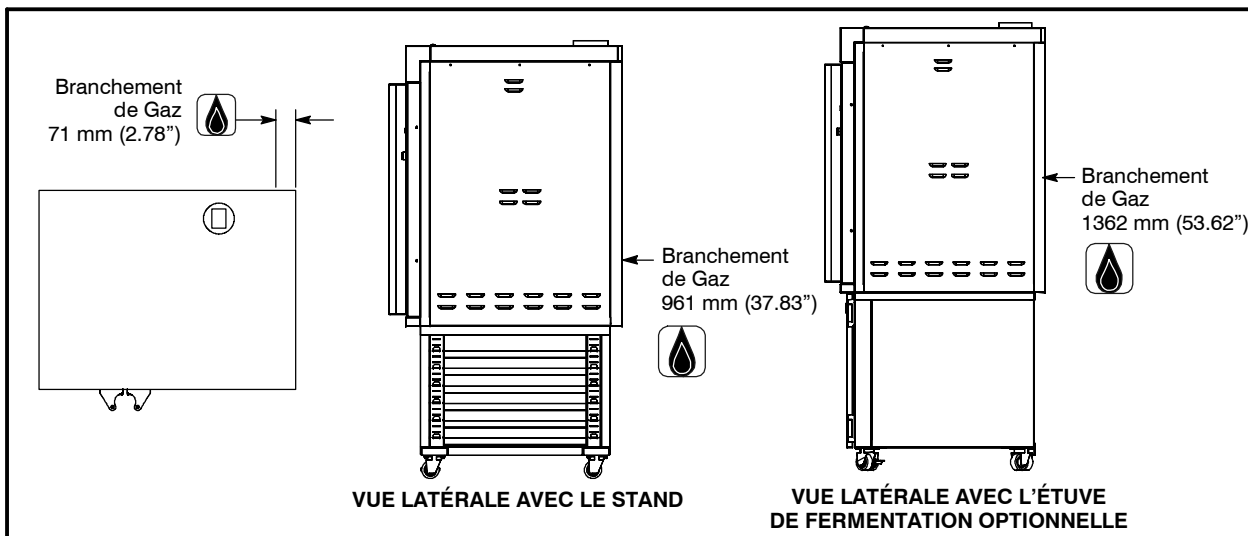


Figure 2

### RETENUE DU TUYAU DE GAZ

Si le four est monté sur roulettes, un connecteur commercial flexible ayant un diamètre intérieur minimum de 1,9 cm (3/4") doit être utilisé avec un dispositif de connexion rapide.

La retenue, fournie avec le four, doit servir à limiter les mouvements de l'unité de façon qu'aucune tension ne soit placée sur le connecteur flexible. Quand la retenue est entièrement étendue, le connecteur doit être facile à installer et à connecter rapidement.

Ce dispositif (qui consiste en un câble de gros calibre) doit supporter une charge d'épreuve de 1,000 lb. (453 kg) et doit être accroché au mur pour empêcher d'endommager celui-ci. NE vous servez PAS de la canalisation de gaz ni d'une canalisation d'électricité pour y accrocher l'extrémité fixée à demeure du dispositif de retenue ! Servez-vous de boulons d'ancrage dans le béton ou les parpaings. Sur les murs en bois, utilisez des tire-fond à bois à résistance élevée que vous enfoncez dans les montants du mur.

1. Monter la cornière fournie sur le boulon du pied juste au-dessous de l'arrivée de gaz. Voir Figure 3.
2. Fixer l'attache sur le câble de retenue sur la cornière.

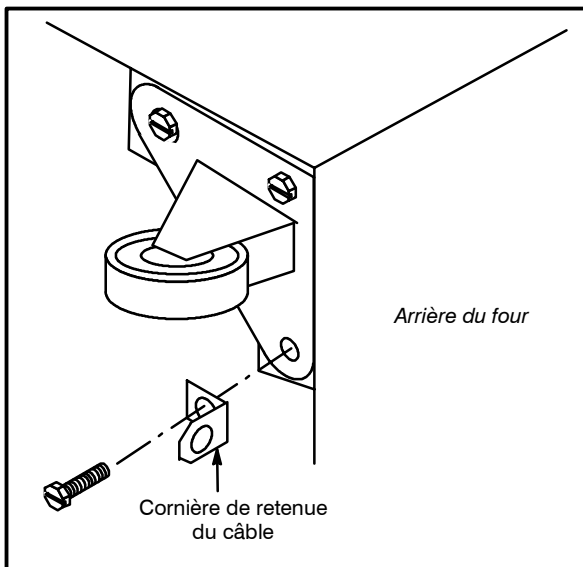


Figure 3



### AVERTISSEMENT!!

**Si la retenue est déconnectée, quel qu'en soit la raison, elle doit être reconnectée quand le four est remis à sa position d'origine.**

### Installations aux États-Unis et au Canada

Le coupleur doit être conforme à la *Norme Applicable aux Coupleurs pour Appareils à Gaz Mobiles*, ANSI Z21.69-CSA 6.16. Il convient d'utiliser également un dispositif de débranchement rapide conforme à la *Norme Applicable aux Dispositifs de Débranchement Rapide pour Combustibles Gazeux*, ANSI Z21.41-CSA 6.9. Une entrave fixée à une surface immobile doit être prévue pour limiter le mouvement du four et éviter les tensions au niveau du connecteur.

### Généralités concernant les installations à l'exportation

Les installations doivent être conformes avec les normes d'installation locales et nationales. Les codes locaux d'installation peuvent varier. Pour toute question concernant l'installation et/ou le fonctionnement correct du four Blodgett, prendre contact avec le distributeur local. S'il n'y a pas de distributeur local, appeler la Blodgett Oven Company au 0011-802-860-3700.



# Installation

## Raccordement Électrique et Plomberie

### RACCORDEMENT PLOMBERIE



#### AVERTISSEMENT !!!

**Les installations de plomberie doivent être conformes aux règlements sanitaires et aux codes de sécurité et de plomberie pertinents.**

#### Prises d'eau

Le circuit d'approvisionnement en eau doit satisfaire aux conditions suivantes. Consultez l'entreprise responsable de la distribution d'eau de votre région avant d'installer le four.

- Dureté de 4 à 6 grains par gallon (100 ppm max.)
  - pH de 6,5 à 8,0
  - Chlorure inférieur à 30 ppm
1. Branchez la conduite d'eau froide au flexible de 19 mm (3/4 po) raccordé à l'arrière du four au moyen de la canalisation d'amenée d'eau fournie. La pression d'alimentation doit être de 207 to 517 kPa (30 à 75 lb/po<sup>2</sup>) lorsque le robinet électromagnétique d'admission de vapeur est ouvert. Le régulateur de débit d'eau installé sur le four doit être réglé à 103 kPa (15 lb/po<sup>2</sup>) lorsque le robinet électromagnétique d'admission de vapeur est ouvert.

#### Raccordements de purge

1. Raccordez la conduite de purge au raccordement à filetage NPT de 19 mm (3/4 po) situé à l'arrière du four.
2. Acheminez la conduite de purge jusqu'au drain de plancher, en laissant un espace d'air de 25 mm (1 po) entre la conduite et le drain.

*REMARQUE: Installez une deuxième conduite de purge lorsque le four est empilé sur*

*une étuve de fermentation. Si cela s'avère impossible, vous devez assurer une ventilation au moyen d'une ouverture sur la conduite, au-dessus du raccordement; celle-ci doit être assez basse pour empêcher le drain du four d'inonder l'armoire de l'étuve.*

### RACCORDEMENT ÉLECTRIQUE

Les schémas de câblage sont situés du côté droit du four.

Ce four est équipé pour connexion sur un circuit de prise de terre de 115 volts. Le moteur électrique, les voyants lumineux et les commutateurs apparentés sont connectés par le fil de branchement de 1,8 m (6') qui se trouve à l'arrière du four.

*REMARQUE: Lorsque le four comprend une étuve de fermentation, un deuxième circuit mis à la terre de 120 volts est requis.*



#### AVERTISSEMENT!!

**Pour votre protection contre les risques d'électrocution, cet appareil est doté d'une fiche à trois broches avec fil de terre et doit être branché directement dans une prise à trois trous adéquatement mise à la terre. Ne coupez ou ne retirez en aucun cas la broche de terre de la fiche.**

LA SOCIÉTÉ BLODGETT NE SAURAIT ÊTRE TENUE POUR RESPONSABLE DES PERTES OU DOMMAGES SUBI PAR SUITE DE L'INSTALLATION INCORRECTE DE FOURS.

### ELECTRICAL SPECIFICATIONS

Modèle	Hz	Volts	Phase	Amps	Connexion électrique (calibre minimum)
XR8-G	60	120	1	5	Ensemble du cordon électrique fourni



## Mise en Marche Initiale

Les points de la liste qui suit doivent être contrôlés par un personnel qualifié avant la première mise en marche de l'appareil.

- Ouvrez la vanne d'arrêt manuelle combinée à l'arrière du four.
- Vérifiez s'il y a des fuites d'eau jusqu'au four; réparez-les au besoin.
- Vérifiez la rotation de la grille comme suit : ouvrez les portes du four et tournez le commutateur d'alimentation à « ON ». Fermez les portes et enregistrez une durée de cuisson de deux minutes, puis appuyez sur « START ». Vérifiez ensuite si la grille tourne doucement. Ouvrez les portes et vérifiez si la grille s'arrête perpendiculairement à l'ouverture de la porte. Si la grille ne tourne pas et que le ventilateur ne fait pas circuler l'air, il se peut que l'interrupteur de la porte ne soit pas bien ajusté.

Allumez le brûleur principal et vérifiez ce qui suit :

- Réglez la température du four à 149 °C (300 °F), puis vérifiez si le four atteint cette température.
- Réglez la durée d'injection de vapeur à 20 secondes et vérifiez si la pression d'eau du four est de 15 lb/po2 lorsque la valve à solénoïde est ouverte. La jauge de pression d'eau est située sous le panneau droit, que vous devez retirer.
- Vérifiez le réglage de la pression d'entrée du gaz au moyen de la prise d'entrée du robinet de gaz.
- Vérifiez le réglage de la pression d'admission au moyen de la prise de sortie de la rampe d'alimentation en gaz du brûleur située sur le dessus du four.
- Si les pressions indiquées correspondent aux niveaux recommandés, laissez le four fonctionner pendant deux heures avec l'évent ouvert. Sinon, fermez le four et réglez à nouveau les pressions; revérifiez celles-ci.



### AVERTISSEMENT

**Les ruptures dans le procédé brûlent les excès d'huile présents dans le métal pendant la fabrication. De la fumée peut en résulter. Une ventilation correcte est requise.**

### RÉGLAGES À FAIRE LORS DE L'INSTALLATION INITIALE

Chaque four ainsi que ses composants ont été soigneusement testés et inspectés avant d'être expédiés. Cependant, il est bien souvent nécessaire de faire des vérifications et des réglages sur place au moment de l'installation initiale. Ceci est un procédé normal. De tels réglages sont sous la responsabilité du vendeur ou de l'installateur et ne sont pas imputables à des défauts de fabrication ou de matériau. Par conséquent, ces réglages ne sont pas couverts par la garantie de l'équipement d'origine. Ces réglages comprennent, sans s'y limiter:

- le calibrage du thermostat
- le réglage des portes
- réglage du brûleur
- la mise de niveau
- la vérification de la pression du gaz
- le serrage des boulons
- position d'arrêt de la rotation de la grille

On ne peut considérer une installation achevée tant qu'un personnel qualifié n'a pas procédé à sa vérification complète et fait les réglages nécessaires s'il en est besoin.



# Utilisation

## Informations de Sécurité

LES INFORMATIONS CONTENUES DANS CETTE SECTION SONT DESTINÉES AU PERSONNEL QUALIFIÉ APPELÉ A UTILISER LE FOUR. ON ENTEND PAR PERSONNEL QUALIFIÉ LE PERSONNEL QUI AURA LU ATTENTIVEMENT LES INFORMATIONS CONTENUES DANS CE MANUEL, CONNAIT BIEN LES FONCTIONS DU FOUR ET/OU POSSEDE UNE EXPÉRIENCE ANTÉRIEURE DE L'EMPLOI DE L'ÉQUIPEMENT DÉCRIT. LE RESPECT DES PROCÉDURES RECOMMANDÉES DANS CETTE SECTION PERMETTRA D'ATTEINDRE LES PERFORMANCES OPTIMALES DU SYSTEME ET D'EN OBTENIR UN SERVICE DURABLE ET SANS ENCOMBRES.

Prenez le temps de lire attentivement les instructions qui suivent. Vous y trouverez la clé du succès du four à convection Blodgett.



### CONSEILS DE SÉCURITÉ

**Pour la sécurité, lire avant d'utiliser l'appareil**

#### Que faire s'il y a une odeur de gaz :

- NE PAS essayer d'allumer l'appareil.
- NE PAS toucher d'interrupteur électrique.
- Utiliser un téléphone extérieur pour appeler immédiatement la compagnie du gaz.
- Si la compagnie du gaz ne répond pas, appeler les pompiers.

#### Que faire en cas de panne de secteur :

1. Fermer tous les interrupteurs.
2. NE PAS tenter d'utiliser le four avant que l'électricité soit revenue.

*REMARQUE: Dans le cas d'un arrêt de l'appareil, quel qu'il soit, attendre cinq (5) minutes avant de remettre le four en marche.*

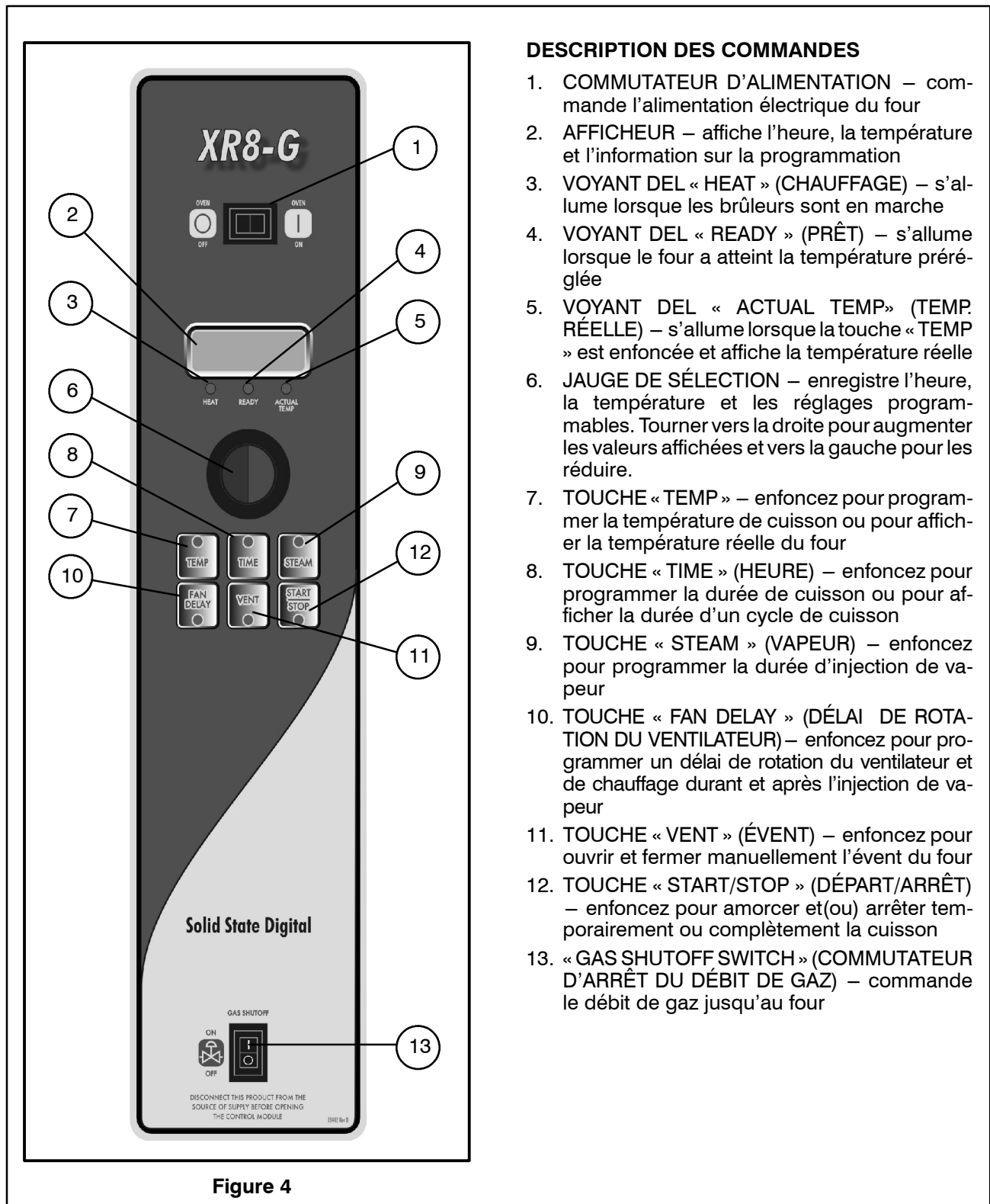
#### Conseils généraux de sécurité :

- NE PAS utiliser d'outil pour fermer les commandes du gaz. Si le gaz ne peut pas être fermé manuellement ne pas tenter de réparer. Appeler un technicien de service qualifié.
- Si vous devez déplacer le four pour quelque raison que ce soit, débranchez la conduite d'alimentation en eau. Fermez le commutateur d'entrée de gaz et débranchez-le de l'unité avant de retirer le câble de retenue. Rebranchez celui-ci après avoir remis le four à sa place.
- NE PAS retirer le couvercle du panneau de contrôle sauf si le four est débranché.
- La grille arrêtera de tourner à l'ouverture des portes.





## Commande Classique



### DESCRIPTION DES COMMANDES

1. COMMUTATEUR D'ALIMENTATION – commande l'alimentation électrique du four
2. AFFICHEUR – affiche l'heure, la température et l'information sur la programmation
3. VOYANT DEL « HEAT » (CHAUFFAGE) – s'allume lorsque les brûleurs sont en marche
4. VOYANT DEL « READY » (PRÊT) – s'allume lorsque le four a atteint la température prééglée
5. VOYANT DEL « ACTUAL TEMP » (TEMP. RÉELLE) – s'allume lorsque la touche « TEMP » est enfoncée et affiche la température réelle
6. JAUGE DE SÉLECTION – enregistre l'heure, la température et les réglages programmables. Tourner vers la droite pour augmenter les valeurs affichées et vers la gauche pour les réduire.
7. TOUCHE « TEMP » – enfoncez pour programmer la température de cuisson ou pour afficher la température réelle du four
8. TOUCHE « TIME » (HEURE) – enfoncez pour programmer la durée de cuisson ou pour afficher la durée d'un cycle de cuisson
9. TOUCHE « STEAM » (VAPEUR) – enfoncez pour programmer la durée d'injection de vapeur
10. TOUCHE « FAN DELAY » (DÉLAI DE ROTATION DU VENTILATEUR) – enfoncez pour programmer un délai de rotation du ventilateur et de chauffage durant et après l'injection de vapeur
11. TOUCHE « VENT » (ÉVENT) – enfoncez pour ouvrir et fermer manuellement l'évent du four
12. TOUCHE « START/STOP » (DÉPART/ARRÊT) – enfoncez pour amorcer et(ou) arrêter temporairement ou complètement la cuisson
13. « GAS SHUTOFF SWITCH » (COMMUTATEUR D'ARRÊT DU DÉBIT DE GAZ) – commande le débit de gaz jusqu'au four

Figure 4



# Utilisation

## Commande Classique

### UTILISATION

#### Mise en marche du four

1. Vérifiez si le COMMUTATEUR D'ARRÊT DU DÉBIT DE GAZ (13) est à la position « ON ».
2. Tournez le COMMUTATEUR D'ALIMENTATION (1) jusqu'à la position « ON ». Le voyant DEL (3) s'allume et le four préchauffe jusqu'à la dernière température préréglée.

#### Programmation d'un cycle de cuisson

1. Enfoncez la touche « TEMP » (7), puis tournez la JAUGE (6) jusqu'à la température de cuisson voulue.
2. Enfoncez la touche « TIME » (8), puis tournez la JAUGE (6) jusqu'à la durée de cuisson voulue.
3. Pour injecter de la vapeur, enfoncez la touche « STEAM » (9), puis tournez la JAUGE (6) jusqu'à la position voulue. Vous pouvez programmer l'injection de vapeur au début du cycle de cuisson pour une durée de deux minutes.
4. Pour programmer le délai de rotation du ventilateur de convection au début du cycle de cuisson, enfoncez la touche « FAN DELAY » (10), puis tournez la JAUGE (6) jusqu'à la position voulue.
5. Enfoncez la touche « START/STOP » (12) pour amorcer le cycle de cuisson (la grille du four tournera).

#### Durant le cycle de cuisson

1. Pour voir la durée de cuisson restante, enfoncez la touche « TIME » (8).
2. Pour voir la température réelle du four, enfoncez la touche « TEMP » (7).
3. Pour injecter de la vapeur pendant deux minutes au cours du cycle de cuisson, enfoncez la touche « STEAM » (9).
4. Pour purger l'humidité de l'enceinte du four, enfoncez la touche « VENT » (11). afin d'ouvrir manuellement l'évent du four; appuyez de nouveau sur la touche pour le fermer.
5. Pour arrêter temporairement le cycle de cuisson à n'importe quel moment, enfoncez la touche « START/STOP » (12). Le cycle s'arrêtera brièvement jusqu'à ce que la touche soit enfoncée de nouveau.

#### Fin du cycle de cuisson

1. À la fin du cycle de cuisson, une alarme sonne et le mot « DONE » s'affiche. La grille continue de tourner jusqu'à l'ouverture de la porte. Enfoncez la touche « START/STOP » (12) pour arrêter l'alarme.
2. Ouvrez la porte pour sortir le produit.

#### Arrêt du four

1. Tournez le COMMUTATEUR D'ALIMENTATION (1) jusqu'à la position « OFF ».

## Consignes Générales à l'Intention des Utilisateurs

### TEMPS ET TEMPÉRATURES DE FAITES

#### Préchauffage du four

Toujours préchauffer le four avant de cuire ou de rôtir. Nous recommandons un préchauffage de 10°C (50°F) supérieur à la température de cuisson pour compenser la chute de température quand les portes sont ouvertes et qu'un produit froid est chargé dans le four. Régler le thermostat sur la température de cuisson une fois que le produit est chargé.

#### La Durée de Faites

Vérifiez l'aliment après une durée de cuisson représentant environ la moitié de la durée recommandée pour les fours ordinaires. Notez vos durées et températures optimales pour référence future.

*REMARQUE: La durée du faites varie en fonction de la quantité cuite, du type de plat utilisé et de la température sélectionnée.*

### CONSEILS

#### Plats et grilles

La hauteur du produit ou de la tôle détermine le nombre de grilles à utiliser. Le four accepte jusqu'à huit tôles à brioches de 45,7 x 61 cm (18 x 24 po), avec un écartement de 102 mm (4 po) entre chaque grille.

Chargez le four à partir du bas et centrez les tôles sur la grille.

#### Rotissage

Pour réduire la contraction des viandes rôties, placez la viande directement sur les grilles et placez un plat en métal à moitié rempli d'eau au niveau de la grille du bas. En s'évaporant, l'eau du plat augmente l'humidité dans la chambre de cuisson. Le plat sert, de plus, à recueillir la graisse de la viande et le nettoyage du four s'en trouve facilité.

#### Ventilateurs

Le ventilateur doit fonctionner pour que le four se réchauffe. Pour empêcher la pâte d'onduler, utilisez la méthode suivante.

1. Préchauffer le four 15°C (25°F) au-dessus de la température de cuisson.
2. Charger le four avec le produit. Fermer les portes.
3. Régler le thermostat sur la température du faites.
4. Réglez le délai de rotation de la soufflante à deux minutes.

#### Mode de refroidissement

Pour faciliter le refroidissement du four à une température plus basse, enfoncez la touche « TEMP » (7), puis tournez la JAUGE (6) vers la gauche jusqu'à l'affichage du mot « COOL ».



## Entretien

### Nettoyage et Entretien Préventif

#### NETTOYAGE JOURNALIER

Vous pouvez nettoyer les fours en acier inoxydable et les maintenir en bon état au moyen d'une huile légère. Enlevez les dépôts d'éclaboussures et toute trace de décoloration avec un bon nettoyant industriel non toxique adapté à l'acier inoxydable.

1. Avec les nettoyants, frottez le four lorsqu'il est froid, dans le sens de la grenaille métallique.
2. Essuyez le four au moyen d'un chiffon propre.

Nettoyage de l'intérieur :

1. Tirez vers le haut la goupille à ressort située sur le bas de la grille du four.
2. Glissez la grille hors du four; vous pouvez la nettoyer dans un lave-vaisselle.
3. Nettoyez l'intérieur de l'enceinte du four.
4. Réinstallez la grille en vous assurant que la plaque d'alignement sur le dessus de la grille glisse bien dans la ferrure sur le dessus du four.
5. Alignez à nouveau la goupille à ressort.

*REMARQUE: Si vous déplacez le four, vous devez rebrancher le câble de retenue une fois que vous aurez remis l'unité en place.*

#### MAINTENANCE PREVENTIVE

Les meilleures mesures d'entretien préventif sont une installation de l'équipement appropriée et un programme régulier de nettoyage.

#### Maintenance annuelle

Ce four ne requiert aucune lubrification. L'entretien devrait dépendre des heures d'utilisation. Se reporter aux fiches et prescriptions techniques de l'OSHA pour connaître les intervalles d'entretien.

Communiquez avec l'entreprise locale d'entretien Blodgett, son représentant ou la Blodgett Oven Company pour les services d'entretien ou de réparation, le cas échéant.

*REMARQUE: Toutes les fonctions d'entretien sont accessibles depuis le dessus du four ou en retirant le panneau droit.*



#### AVERTISSEMENT!!

**Toujours débrancher le four avant toute intervention de nettoyage, d'entretien ou de réparation.**

## Guide de Détection des Pannes

CAUSE(S) PROBABLE(S)	SUGGESTION
SYMPTOME: Le four ne s'allume pas.	
<ul style="list-style-type: none"> <li>• Le gaz est fermé.</li> <li>• Le four n'est pas branché.</li> <li>• L'interrupteur électrique du panneau de contrôle est sur arrêt.</li> <li>• Contrôle réglé au-dessous de la température ambiante.</li> <li>• Portes ouvertes.</li> <li>• Vérifiez qu'il n'y a aucun tirage d'air sur le brûleur.</li> </ul>	<ul style="list-style-type: none"> <li>• Tourner la vanne de gaz sur ON (MARCHE).</li> <li>• Brancher le fil dans la prise.</li> <li>• Régler le panneau de contrôle sur ON (MARCHE).</li> <li>• Régler la température désirée.</li> <li>• Fermer les portes.</li> <li>• Vérifiez l'ouverture du ventilateur à tirage induit.</li> </ul>
SYMPTOME: Le four n'atteint pas "Prêt".	
<ul style="list-style-type: none"> <li>• Le four n'a pas terminé son cycle de préchauffage..</li> <li>• La vanne de gaz n'est pas complètement ouverte.</li> <li>• La déconnexion rapide n'est pas connectée.</li> <li>• La pression du gaz au four est trop basse.</li> <li>• Problème interne avec le contrôle de température principal.</li> </ul>	<ul style="list-style-type: none"> <li>• Attendre que le four est atteint sa température de préchauffage.</li> <li>• Vérifier la vanne de gaz et l'ouvrir si nécessaire.</li> <li>• Reconnecter la connexion rapide. Vérifier toutes les connexions de gaz.</li> <li>• Appeler un technicien de la compagnie du gaz.</li> <li>• *</li> </ul>
SYMPTOME: Le ventilateur de convection ne tourne pas.	
<ul style="list-style-type: none"> <li>• Le four n'est pas branché.</li> <li>• Le disjoncteur est déclenché.</li> <li>• Les portes sont ouvertes.</li> <li>• Blower delay was set.</li> </ul>	<ul style="list-style-type: none"> <li>• Brancher le fil dans la prise.</li> <li>• Réenclencher le disjoncteur.</li> <li>• Fermer les portes.</li> <li>• Réglez à nouveau la durée de la soufflante.</li> </ul>
<p>*Indique un type d'intervention délicate qui devrait être confiée uniquement à un personnel qualifié. Plutôt que d'intervenir personnellement, en tant qu'utilisateur ou acheteur de l'appareil, il est conseillé de confier TOUT réglage et/ou TOUTE réparation à un agent commercial ou représentant local Blodgett. Blodgett ne saura être tenu responsable d'un dommage résultant d'une réparation ou d'un service d'entretien effectué par un personnel non qualifié.</p>	



## Entretien

### Guide de Détection des Pannes

CAUSE(S) PROBABLE(S)	SUGGESTION
SYMPTOME: Problèmes courants de cuisson au four.	
<ul style="list-style-type: none"><li>• Calibrage du thermostat hors service.</li><li>• Mauvaise ventilation du four.</li></ul>	<ul style="list-style-type: none"><li>• *</li><li>• *</li></ul>
SYMPTOME: La grille continue de tourner après l'ouverture des portes ou elle s'arrête à la mauvaise position.	
<ul style="list-style-type: none"><li>• La touche du délai de rotation de la grille n'est pas à la position voulue.</li></ul>	<ul style="list-style-type: none"><li>• Remettre la touche à la position voulue.</li></ul>
<p>*Indique un type d'intervention délicate qui devrait être confiée uniquement à un personnel qualifié. Plutôt que d'intervenir personnellement, en tant qu'utilisateur ou acheteur de l'appareil, il est conseillé de confier TOUT réglage et/ou TOUTE réparation à un agent commercial ou représentant local Blodgett. Blodgett ne saura être tenu responsable d'un dommage résultant d'une réparation ou d'un service d'entretien effectué par un personnel non qualifié.</p>	



#### AVERTISSEMENT!!

**Toujours débrancher le four avant toute intervention de nettoyage, d'entretien ou de réparation.**

**INSERT  
WIRING DIAGRAM  
HERE**

**PLACER  
SCHÉMA DE CÂBLAGE  
ICI**

## Free Manuals Download Website

<http://myh66.com>

<http://usermanuals.us>

<http://www.somanuals.com>

<http://www.4manuals.cc>

<http://www.manual-lib.com>

<http://www.404manual.com>

<http://www.luxmanual.com>

<http://aubethermostatmanual.com>

Golf course search by state

<http://golfingnear.com>

Email search by domain

<http://emailbydomain.com>

Auto manuals search

<http://auto.somanuals.com>

TV manuals search

<http://tv.somanuals.com>