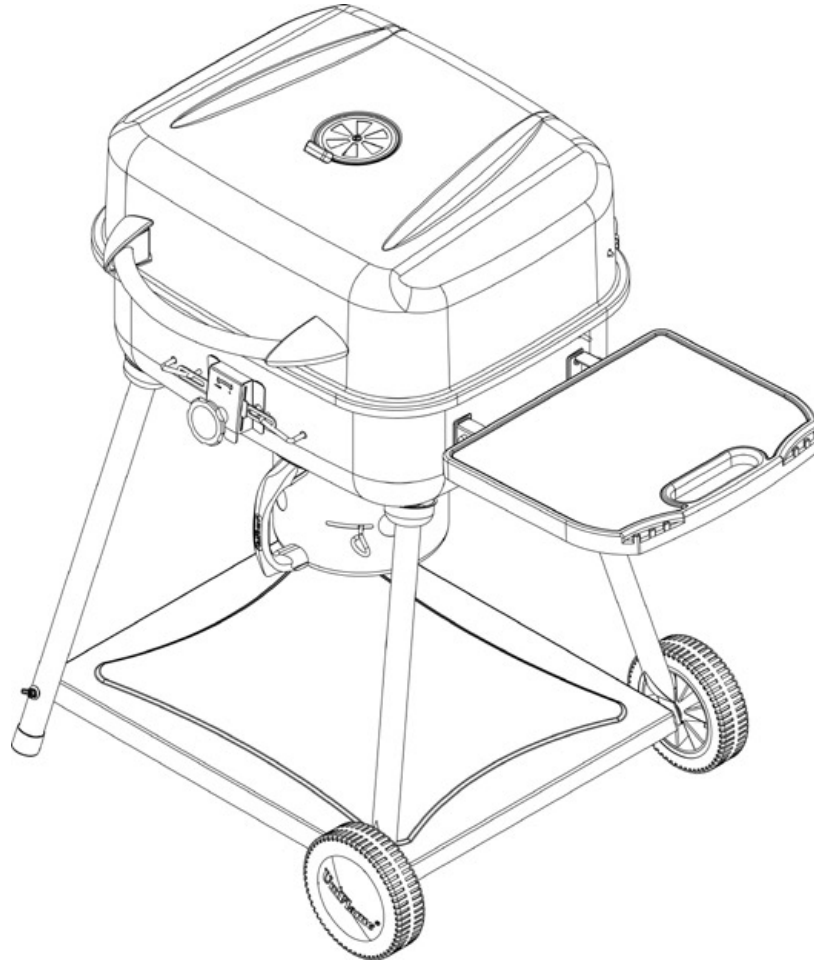




Outdoor Charcoal Barbecue Grill

Model No. NPC1924N



WARNING
FOR YOUR SAFETY:
For Outdoor Use Only
 (outside any enclosure)

WARNING
FOR YOUR SAFETY:

- 1. Improper installation, adjustment, alteration, service or maintenance can cause injury or property damage.**
- 2. Read the installation, operation, and maintenance instructions thoroughly before installing or servicing this equipment.**
- 3. Failure to follow these instructions could result in fire or explosion, which could cause property damage, personal injury, or death.**

Save these instructions for future reference. If you are assembling this unit for someone else, give this manual to him or her to read and save for future reference.

Table of Contents

Important Safeguards2

Exploded View & Hardware3

Assembly Instructions4

Operating Instructions 6

Cleaning and Care6

Product Registration6

Limited Warranty 6

Manufactured in China for:
 Blue Rhino Global Sourcing, LLC
 104 Cambridge Plaza Drive, Winston-Salem, NC 27104 USA
 1.800.762.1142, www.bluerhino.com

© 2005 Blue Rhino Global Sourcing, LLC. All Rights Reserved
 UniFlame® is a Registered Trademark of Blue Rhino Global Sourcing, LLC. All Rights Reserved



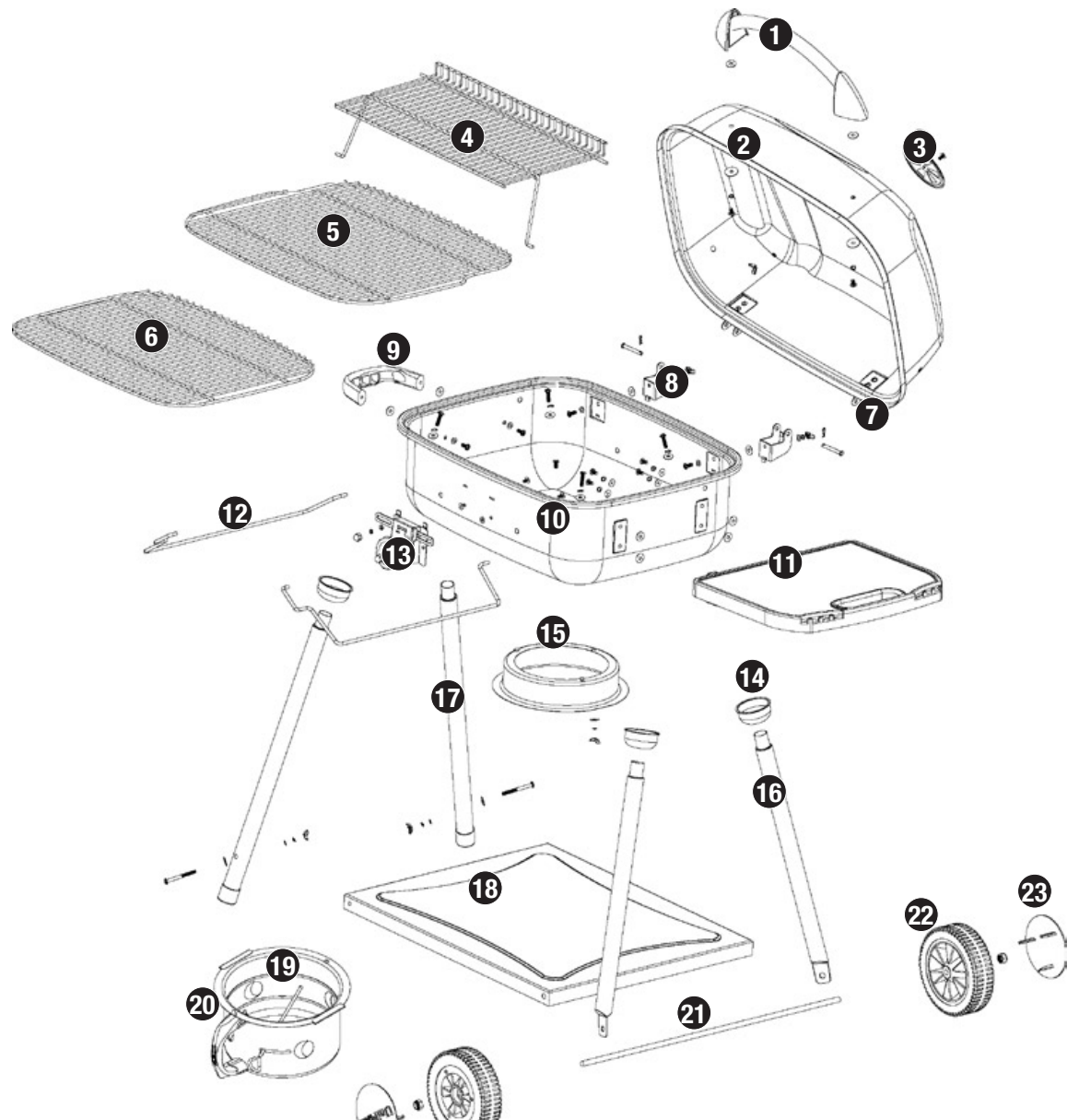
WARNING
FOR YOUR SAFETY

1. This grill is for outdoor use only, and shall not be used in a building, garage, or any other enclosed area.
2. This grill is NOT for commercial use.
3. Do not use grill for indoor cooking or heating. Toxic carbon monoxide fumes can accumulate and cause asphyxiation.
4. Do not use gasoline, kerosene, or alcohol for lighting.
5. Do not use in an explosive atmosphere. Keep grill area clear and free from combustible materials, gasoline and other flammable vapors and liquids.
6. Do not store or use gasoline or other flammable liquids or vapors within 25 feet (7.62 m) of this appliance.
7. Instant light charcoal can burn at very high temperatures during initial startup. Make sure lid is open until charcoal turns to hot coals.
8. Keep all combustible items and surfaces at least 21 inches (53 cm) away from the grill at all times. DO NOT use this grill or any gas product under any overhead or near any unprotected combustible constructions.
9. Do not alter grill in any manner.
10. Do not use the grill unless it is completely assembled and all parts are securely fastened and tightened.
11. This grill should be thoroughly cleaned and inspected on a regular basis.
12. Use only Blue Rhino Global Sourcing, LLC. factory authorized parts. The use of any part that is not factory authorized can be dangerous. This will also void your warranty. Contact 1.800.762.1142.
13. Do not use this appliance without reading "Operating Instructions" in this manual.
14. Do not touch metal parts of grill until it has completely cooled (about 45 min.) to avoid burns, unless you are wearing protective gear (pot holders, gloves, BBQ mittens, etc.).
15. Never touch grates (charcoal or cooking), ashes or coals to see if they are hot.
16. Do not use on wooden decks, wooden furniture or other combustible surfaces.
17. Do not use in or on boats or recreational vehicles.
18. Position grill so wind can not carry ashes to combustible surfaces.
19. Do not use in high winds.
20. Never lean over the grill when lighting.
21. Do not leave a lit grill unattended, especially keep children and pets away from grill at all times.
22. Do not attempt to move grill when in use. Allow the grill to cool before moving or storing.
23. Always open grill lid carefully and slowly as heat and steam trapped within grill can severely burn you.
24. Always place your grill on a hard, non-combustible level surface. An asphalt or blacktop surface may not be acceptable for this purpose.
25. Do not remove the ashes until they are completely and fully extinguished.
26. Live hot briquettes and coals can create a fire hazard.
27. Always empty the ash catcher and grill after each use. Do not remove the ashes until they are completely and fully extinguished.
28. Do not place fuel (charcoal briquets, wood or lump charcoal) directly into bottom of grill. Place fuel only on the charcoal pan/grid.
29. Check to make sure the air vents are free of debris and ash before and while you are using the grill.
30. Make sure ash catcher is securely and completely in place before using the grill.
31. Always wear protective gloves when adding fuel to retain desired heat level.
32. Keep all electrical cords away from a hot grill.
33. Always use a meat thermometer to ensure food is cooked to a safe temperature.
34. Deaths, serious injury or damage to property may occur if the above is not followed exactly.

Exploded View

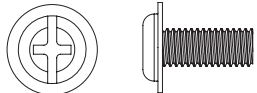
- 1. Lid Handle Assembly 55-15-124
- 2. Lid 55-15-120
- 3. Air Vent Assembly 55-14-857
- 4. Warming Rack 55-14-855
- 5. Cooking Grid 55-14-873
- 6. Charcoal Grid 55-14-856
- 7. Top Hinge (2)* 55-15-123
- 8. Bottom Hinge (2) 55-14-868
- 9. Side Handle 55-14-870
- 10. Bottom Bowl 55-14-865
- 11. Side Shelf 55-14-869
- 12. Charcoal Grid Support Rod (2) 55-14-872
- 13. Adjustable Knob Assembly 55-14-871
- 14. Leg Cup (4) 55-14-864
- 15. Slide 55-14-866
- 16. Wheel Leg (2) 55-14-860
- 17. Left Leg (2) 55-14-863
- 18. Bottom Shelf 55-14-858
- 19. Ash Receiver Assembly 55-15-125
- 20. Ash Receiver Handle* 55-13-263
- 21. Axle 55-14-859
- 22. Wheel (2) 55-14-861
- 23. Hub Cap (2) 55-14-862

*Pre-assembled

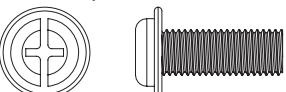


Hardware

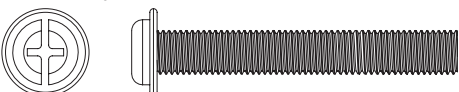
- A. Small Screw** 3 pcs
M5x12 Philips Truss Head Screw



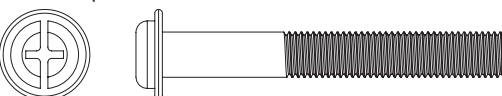
- B. Medium Screw** 11 pcs
M6x16 Philips Truss Head Screw



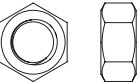
- C. Large Screw** 4 pcs
M6x40 Philips Truss Head Screw



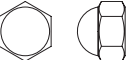
- D. Extra Large Screw** 2 pcs
M6x45 Philips Truss Head Screw



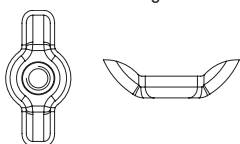
- E. Nut**** 2 pcs
M10 Zinc Plated Hex Nut



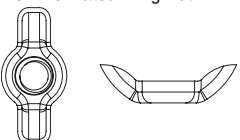
- F. Cap Nut**** 2 pcs
M5 Zinc Plated Cap Nut



- G. Small Wing Nut**** 1 pc
M5 Zinc Plated Wing Nut



- H. Large Wing Nut**** 5 pcs
M6 Zinc Plated Wing Nut



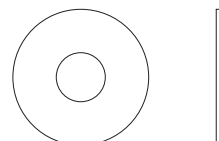
- I. Small Washer** 2 pcs
ø5.5 Zinc Plated Washer



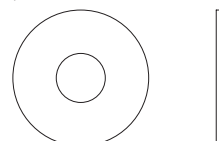
- J. Medium Washer** 5 pcs
ø6.5 Zinc Plated Washer



- K. Large Washer** 12 pcs
ø6.5 Zinc Plated Washer



- L. Extra Large Washer** 4 pcs
ø6.2 Zinc Plated Washer



- M. Heat Resistant Washer** 12 pcs
ø6 Zinc Plated Lock Washer



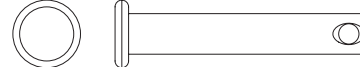
- N. Small Lock Washer** 3 pcs
ø5.5 Zinc Plated Lock Washer



- O. Large Lock Washer** 11 pcs
ø6.5 Zinc Plated Lock Washer



- P. Pins**** 2 pcs

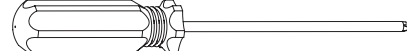


- Q. Cotter Pins**** 2 pcs

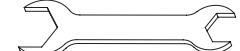


Tools Included

- R. Screwdriver**** 1 pc



- S. Wrench**** 2 pcs



** Not shown at actual size.

Assembly Instructions

DO NOT RETURN PRODUCT TO STORE.

For assistance call 1.800.762.1142 toll free. Please have your owner's manual and serial number available for reference.

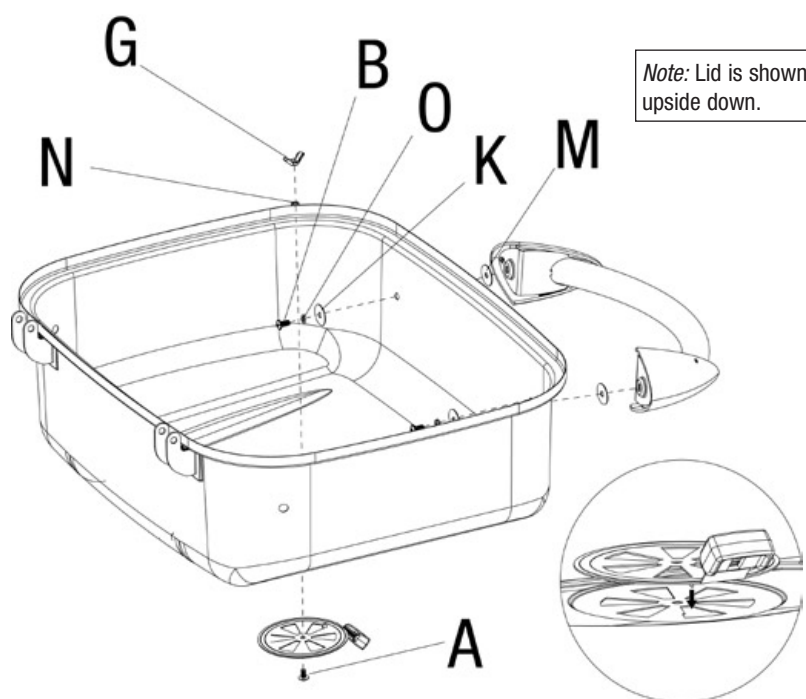
For Easiest Assembly:

- To avoid losing any small components or hardware, assemble your product on a hard level surface that does not have cracks or openings.
- Clear an area large enough to layout all components and hardware.
- When applicable, tighten all hardware connections by hand first. Once the step is completed, go back and fully tighten all hardware.
- Follow all steps in order to properly assemble your product.

Step 1 Attach handle and air vent

1

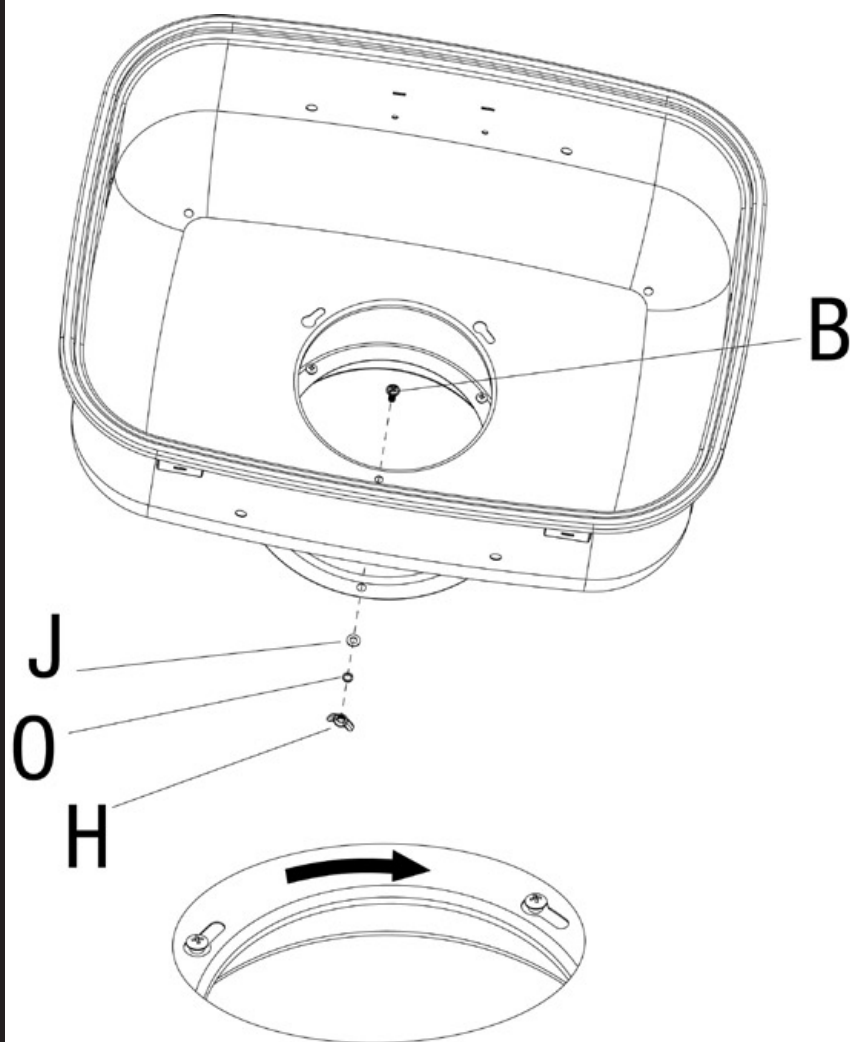
- A. Attach lid handle assembly to lid using 2 sets of medium screws (B), large lock washers (O), large washers (K), and heat resistant washers (M).
- B. Attach air vent to lid using small screw (A), small lock washer (N) and small wing nut (G).



Step 2 Attach slide

2

- A. Insert slide onto underside of bowl. Turn to lock into place.
- B. Attach slide to bottom bowl using medium screw (B), medium washer (J), large lock washer (O), and large wing nut (H).



Step 3 Attach legs, bottom shelf and wheels

3

- A. With bowl upside down, attach left legs and wheel legs to bottom bowl using 4 sets of leg cups, extra large washers (L), large lock washers (O), and large screws (C).

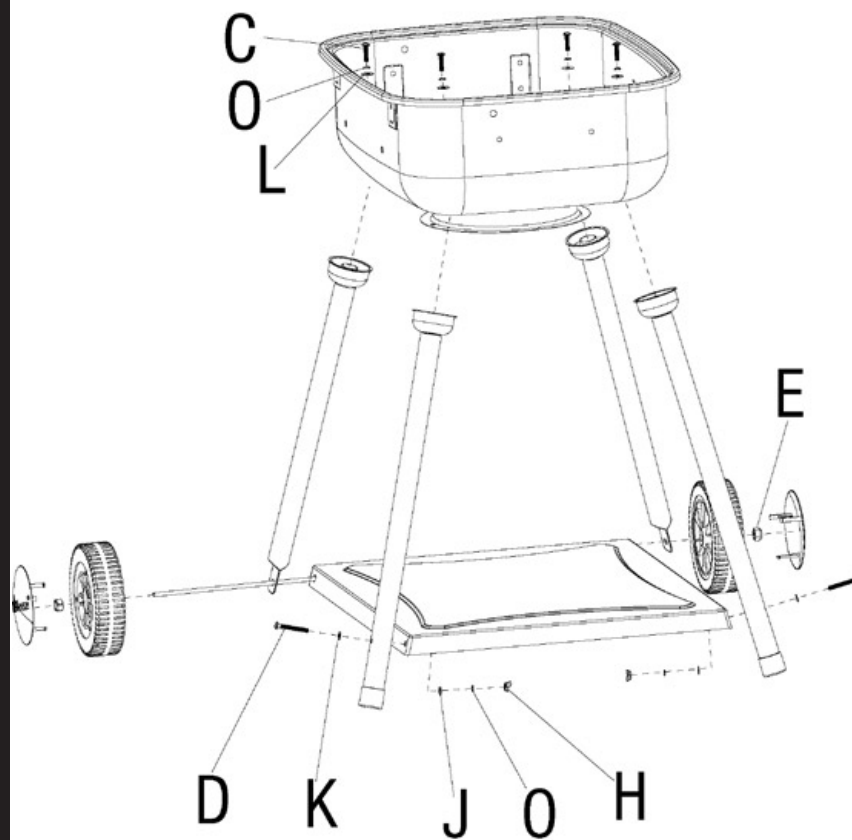
Note: Do not tighten large screws (C).

- B. Attach bottom shelf to left legs using 2 sets of extra large screws (D), large washers (K), medium washers (J), large lock washers (O) and large wing nuts (H).

- C. Attach wheels and bottom shelf to wheel legs using wheel axle, and 2 nuts (E).

- D. Snap hub caps onto wheels.

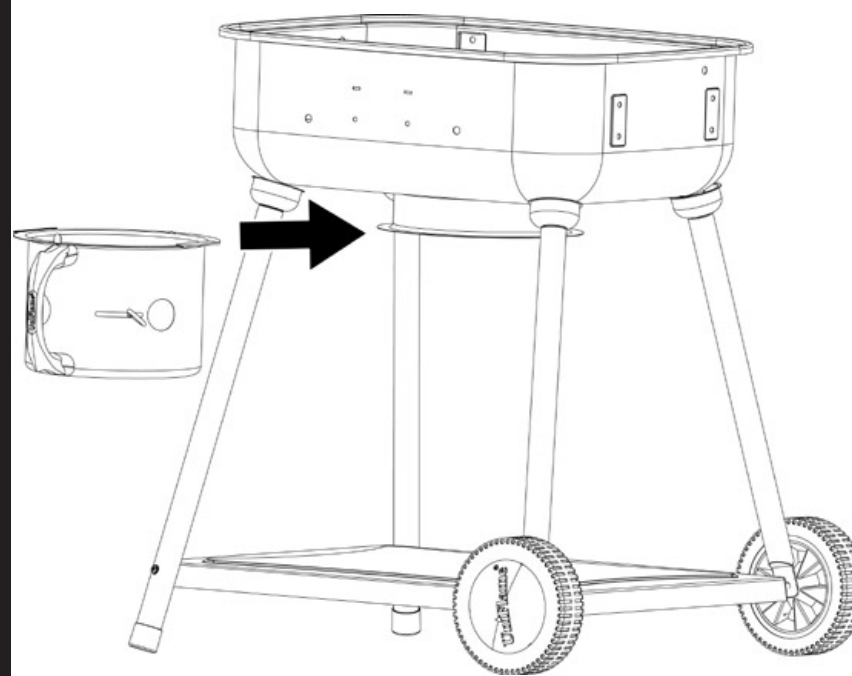
- E. Tighten large screws (C).



Step 4 Attach ash receiver

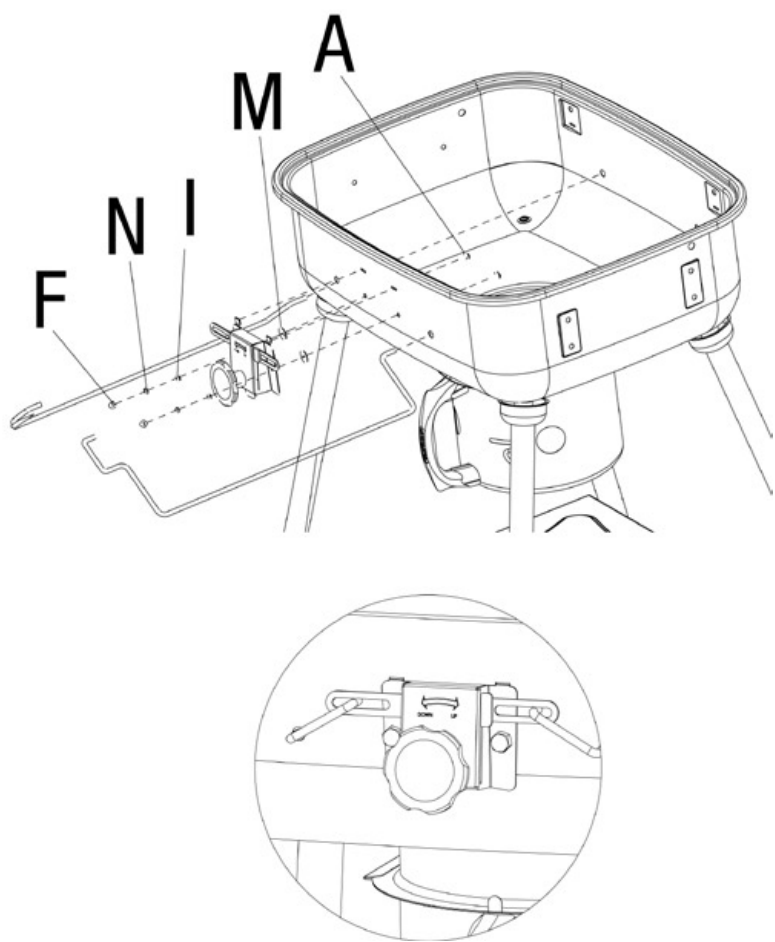
4

- Slide ash receiver onto bottom bowl.



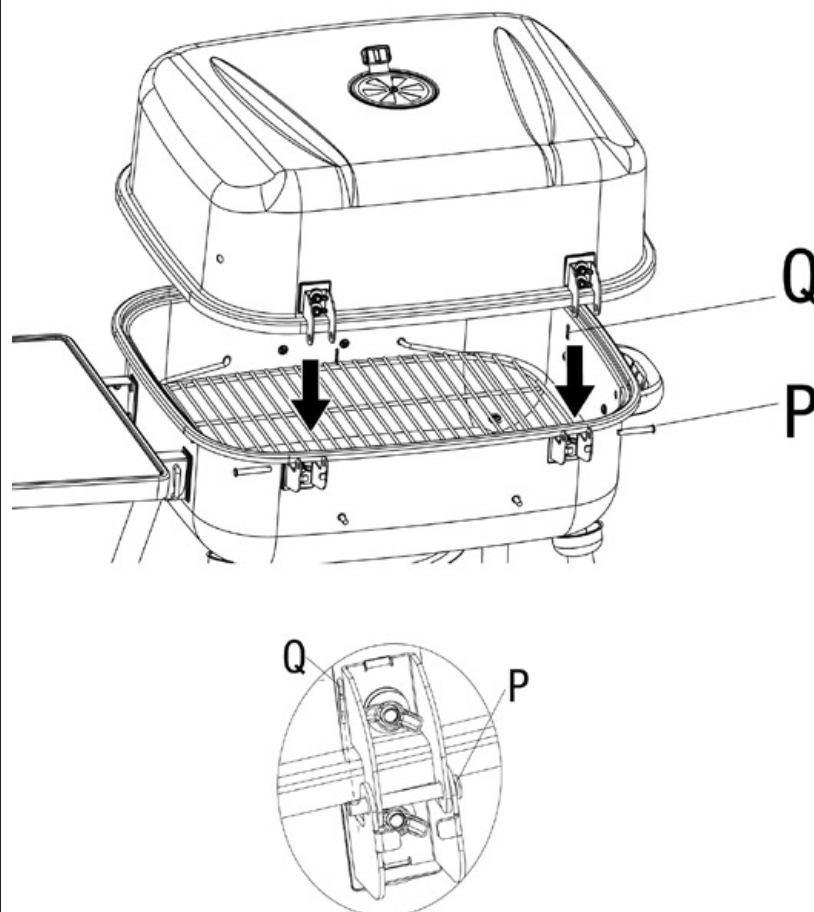
Step 5 Attach charcoal support rods and adjustable knob

- 5**
- A. Attach adjustable knob to bottom bowl using 2 sets of small screws (A), heat resistant washers (M), small washers (I), small lock washers (N), and cap nuts (F).
 - B. Insert charcoal support rods into bottom bowl.
 - C. Insert end of charcoal support rods into slots beside adjustable knob.



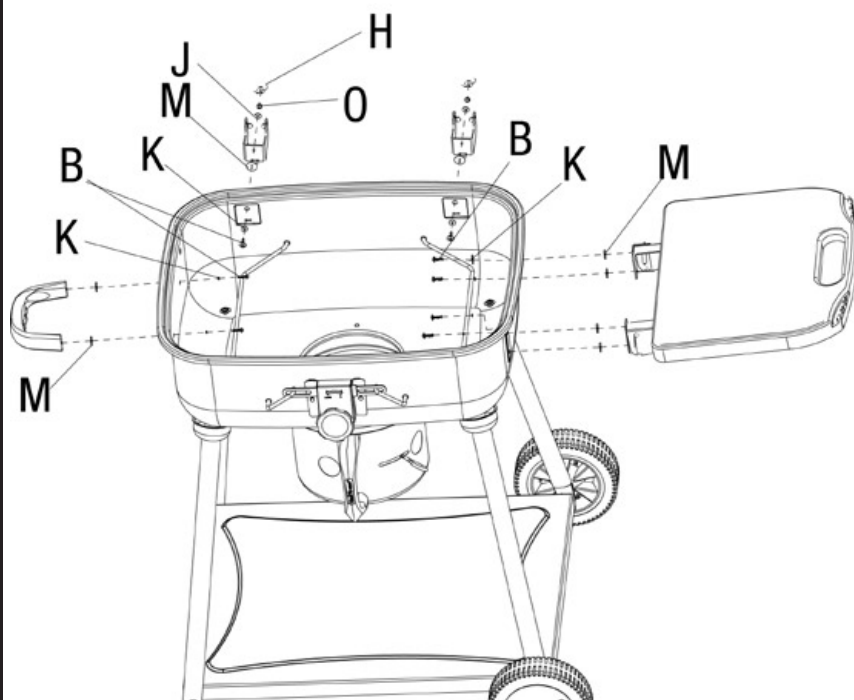
Step 8 Attach top lid

- 8**
- A. Insert top hinges into bottom hinges.
 - Note:* If top hinge does not fit into the bottom hinge, gently squeeze top hinge tabs together.
 - B. Secure with 2 pins (O) and 2 cotter pins (P).



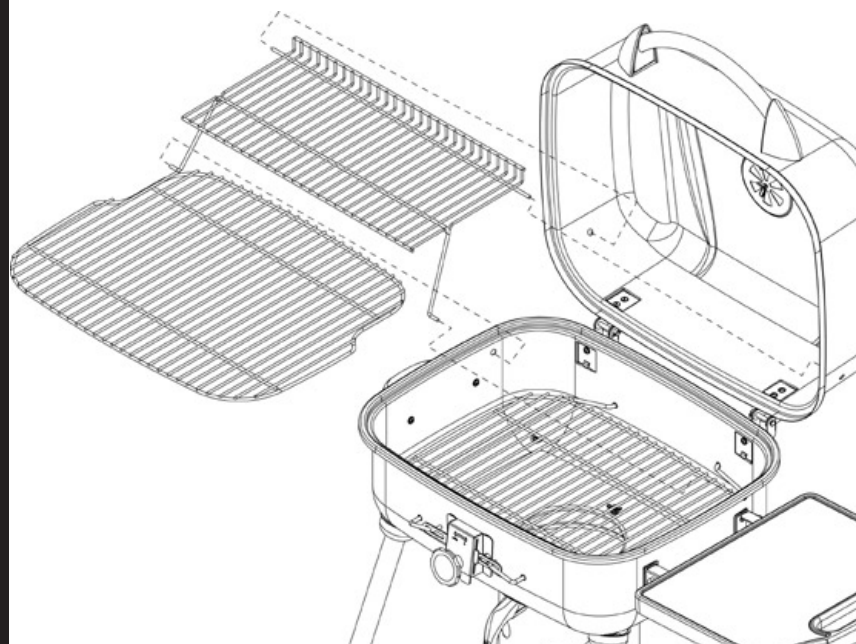
Step 6 Attach side handle, hinges and side table

- 6**
- A. Attach side handle to bowl using 2 sets of heat resistant washers (M), large washers (K) and medium screws (B).
 - B. Attach hinges to bowl using 2 sets of large wing nuts (H), large lock washers (O), medium washers (J), heat resistant washers (M), large washers (K) and medium screws (B).
 - C. Attach side shelf to bowl using 4 sets of heat resistant washers (M), large washers (K) and medium screws (B).

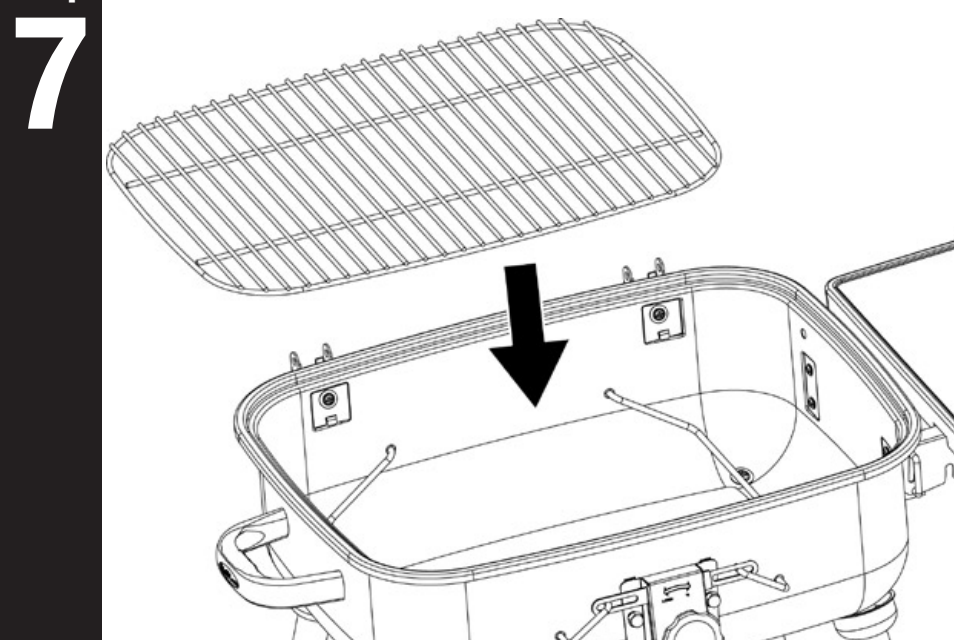


Step 9 Insert warming rack and cooking grid

- 9**
- A. Slide warming rack into holes in lid and bottom bowl.
 - Note:* Look for corresponding holes on side of lid. Insert short wire ends into lid holes, one side at a time. Position warming rack legs into slots on grill body sides.
 - B. Cut zip tie on warming rack.
 - C. Insert cooking grid into bowl.

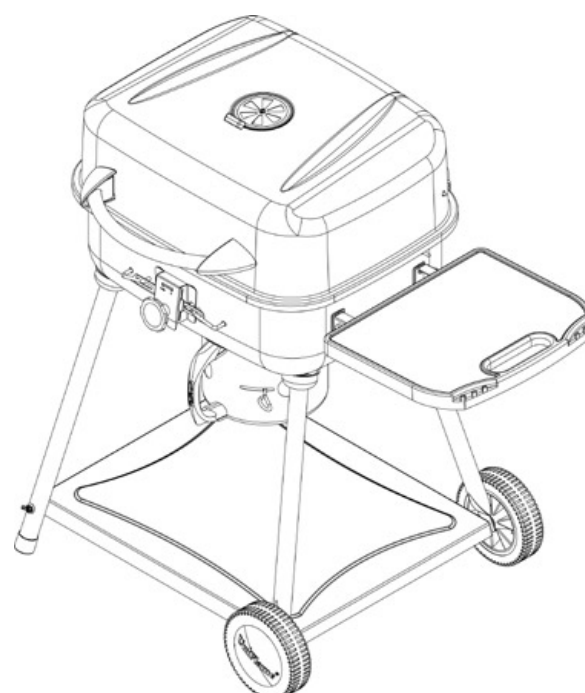


Step 7 Insert charcoal grid



Step 10 Completed

10 Congratulations your assembly is now complete. Read Operating Instructions before proceeding.





Operating Instructions

This appliance is designed for use only with quality charcoal briquets, lump charcoal and cooking wood.

Lighting

1. Open lid and vents.
2. Make sure ash receiver is empty and secure.
3. Remove cooking grid.
4. Arrange and light fuel per instructions on fuel package.
5. Allow fuel time to ash into glowing coals before cooking.

Direct Cooking

1. While wearing protective gloves, carefully spread coals evenly across grid with a long handle tool.
2. Carefully replace cooking grid.
3. Place food on cooking grid.
4. Cook with lid open or closed.

Indirect Cooking – Ideal for Roasts

1. While wearing protective gloves, carefully spread coals into a donut shape with a long handle tool.
2. Place a metal tray in center of donut to catch drippings
3. Carefully replace cooking grid.
4. Place food on cooking grid directly over the metal pan.
5. Cook with lid closed.

Tips for Better Cookouts and Longer Product Life

1. Store fuel in a waterproof container away from sources of ignition.
2. Use a charcoal chimney for fast and easy startups.
3. Spray or coat cooking surfaces with vegetable oil before cooking to avoid sticking.
4. Place vegetables or delicate foods into aluminum foil pouches.
5. Use a quality grill brush after each event to keep cooking surfaces clean and rust free.
6. Remove all ash and dispose of properly after ever use.
7. Once grill is cool, cover with a quality grill cover that is properly sized to your unit.

Cleaning and Care

Caution

1. All cleaning and maintenance should be done when grill is cool and with the fuel supply disconnected.
2. DO NOT clean any grill part in a self cleaning oven. The extreme heat will damage the finish.

Notices

1. Abrasive cleaners will damage this product.
2. Never use oven cleaner to clean any part of grill.
3. Do not clean any grill part in a self cleaning oven. The extreme heat will damage the finish.

Cleaning Surfaces

1. Wipe surfaces clean with mild dishwashing detergent or baking soda.
2. For stubborn surfaces use a citrus based degreaser and a nylon scrubbing brush.
3. Rinse clean with water.

Product Registration

Please register your product immediately at www.BlueRhino.com or call 1.800.762.1142.

Limited Warranty

Blue Rhino Global Sourcing, LLC (“Vendor”) warrants to the original retail purchaser of this grill, and to no other person, that if this grill is assembled and operated in accordance with the printed instructions accompanying it, then for a period of one (1) year from the date of purchase, all parts in such grill shall be free from defects in material and workmanship. Vendor may require reasonable proof of your date of purchase from an authorized retailer or distributor. Therefore, you should retain your sales slip or invoice. This Limited Warranty shall be limited to the repair or replacement of parts, which prove defective under normal use and service and which Vendor shall determine in its reasonable discretion upon examination to be defective. Before returning any parts, you should contact Vendor’s Customer Service Department using the contact information listed below. If Vendor confirms, after examination, a defect covered by this Limited Warranty in any returned part, and if Vendor approves the claim, Vendor will replace such defective part without charge. If you return defective parts, transportation charges must be prepaid by you. Vendor will return replacement parts to the original retail purchaser, freight or postage prepaid.

This Limited Warranty does not cover any failures or operating difficulties due to accident, abuse, misuse, alteration, misapplication, improper installation or improper maintenance or service by you or any third party, or failure to perform normal and routine maintenance on the grill, as set out in this owner’s manual. In addition, the Limited Warranty does not cover damage to the finish, such as scratches, dents, discoloration, rust or other weather damage, after purchase.

This Limited Warranty is in lieu of all other express warranties. Vendor disclaims all warranties for products that are purchased from sellers other than authorized retailers or distributors. AFTER THE PERIOD OF THE ONE (1)-YEAR EXPRESS WARRANTY, VENDOR DISCLAIMS ANY AND ALL IMPLIED WARRANTIES, INCLUDING WITHOUT LIMITATION THE IMPLIED WARRANTIES OF MERCHANTABILITY AND FITNESS FOR A PARTICULAR PURPOSE. FURTHER, VENDOR SHALL HAVE NO LIABILITY WHATSOEVER TO PURCHASER OR ANY THIRD PARTY FOR ANY SPECIAL, INDIRECT, PUNITIVE, INCIDENTAL, OR CONSEQUENTIAL DAMAGES. Vendor assumes no responsibility for any defects caused by third parties. This Limited Warranty gives the purchaser specific legal rights; a purchaser may have other rights depending upon where he or she lives. Some jurisdictions do not allow the exclusion or limitation of special, incidental or consequential damages, or limitations on how long a warranty lasts, so the above exclusion and limitations may not apply to you.

Vendor does not authorize any person or company to assume for it any other obligation or liability in connection with the sale, installation, use, removal, return, or replacement of its equipment, and no such representations are binding on Vendor.

Blue Rhino Global Sourcing, LLC
104 Cambridge Plaza Drive
Winston-Salem, North Carolina 27104 USA
(800) 762-1142
24 Hour Fax: (336) 659-6743
CustomerService@BlueRhino.com



Parrilla de carbón de leña para exteriores, modelo n° NPC1924N

Download from [Www.Somanuals.com](http://www.Somanuals.com). All Manuals Search And Download.

Instrucciones de Operación

Esta unidad ha sido diseñada para ser usada con briquetas de calidad, carbón de leña en bloque y leña para cocinar.

Encendido

1. Abra la tapa y los reguladores de aire.

2. Verifique que el receptor de ceniza está vacío y bien asegurado.

3. Saque la parrilla de cocción.

4. Disponga la materia combustible de acuerdo con las instrucciones del empaque.

5. Deje que la materia combustible se torne en carbones encendidos antes de comenzar a cocinar.

Cocción Directa

1. Con guantes de protección puestos, distribuya cuidadosamente los carbones encendidos, parejamente en la rejilla, usando una herramienta de mango largo.

2. Vuelva a colocar cuidadosamente la parrilla de cocción.

3. Coloque el alimento en la parrilla de cocción.

4. Cocine con la tapa abierta o cerrada.

Cocción Indirecta, Ideal para Asados

1. Con los guantes de protección puestos distribuya los carbones encendidos en forma circular, usando una herramienta de mango largo.

2. Coloque una bandeja de metal en el centro del círculo para recoger los jugos que gotean.

3. Vuelva a colocar cuidadosamente la parrilla de cocción.

4. Coloque el alimento en la parrilla de cocción directamente arriba de la bandeja de metal.

5. Cocine con la tapa cerrada.

Sugerencias para Mejores Asados y Prolongación de la Vida Útil de la Unidad

1. Almacene la materia combustible en un contenedor a prueba de fuego, lejos de fuentes de ignición.

2. Use una chimenea de carbón de leña para encender el fuego rápida y fácilmente.

3. Rocíe o cubra las superficies con aceite vegetal antes de cocinar para evitar que el alimento se pegue.

4. Coloque las legumbres o alimentos delicados en envolturas de papel de aluminio.

5. Use un cepillo de calidad para parrilla después de usar la unidad para mantener las superficie de cocción limpias y libres de oxidación.

6. Vacíe toda la ceniza después de cada uso y disponga de ella de manera apropiada.

7. Una vez que la parrilla se ha enfriado cúbrala con una cubierta de parrilla de calidad y de tamaño apropiado para su unidad.

Limpieza y Cuidado

Precaución

1. Todas la operaciones de limpieza y mantenimiento deben realizarse con la parrilla fría.

2. NO limpie ninguna pieza de esta parrilla en un horno de limpieza automática. El calor extremo dañará el terminado.

Avisos

1. No use productos de limpieza abrasivos pues dañarán este aparato.
2. No utilice nunca productos limpiadores para limpiar cualquier pieza de la parrilla.
3. Nunca use ninguna pieza de esta parrilla en un horno de limpieza automática. El calor extremo dañará el terminado.

Limpieza de las Superficies

1. Limpie las superficies con un detergente suave de lavado de platos o con soda de hornear.
2. En superficies de limpieza difícil, use un desengrasador a base de cítricos y un cepillo de nylon.
3. Enjuague las superficies con agua limpia.

Blue Rhino Sourceing, LLC ("el fabricante") garantiza al comprador original, al detal, de esta parrilla que si la unidad se arma y opera de acuerdo con las instrucciones impresas que la acompañan y por un periodo de un (1) año a partir de la fecha de compra. Todas las piezas de la parrilla estarán libres de defectos en material y mano de obra. El fabricante podrá requerir prueba razonable de la fecha de compra. Por lo tanto, usted debe conservar el recibo de venta o la factura. Esta Garantía Limitada estará limitada a la reparación o reemplazo de las piezas que resulten defectuosas en condiciones de servicio y uso normal y las que un examen indique, a satisfacción del fabricante, que están defectuosas. Antes de devolver cualquier pieza, comuníquese con el Departamento de Servicio al Cliente (Customer Service Department) del fabricante. Si el fabricante confirma el defecto y aprueba el reclamo, el fabricante decidirá reemplazar tales partes sin costo alguno. Si se le pide que devuelva las partes defectuosas, los costos de transporte deberán ser prepagados. El fabricante devolverá las partes al cliente con costo de transporte o envío prepagados.

Esta Garantía Limitada no cubre fallas o dificultades de operación debidas a accidente, abuso, mal uso, alteración, empleo en usos inapropiados, instalación defectuosa o mantenimiento o servicio inapropiado o falla en la realización de mantenimiento normal y rutinario como se prescribe en este manual del usuario. Además, la garantía limitada no cubre daños al terminado de la unidad, tales como rasguños, abolladuras, descoloridos, oxidaciones y otros daños causados por la intemperie después de la compra de la unidad.

Esta garantía limitada reemplaza cualquier otra garantía. El fabricante no asume ninguna responsabilidad por garantías de productos vendidos por quienes no sean distribuidores o vendedores al detal autorizados. Esta exención de responsabilidad incluye cualquier garantía de comerciabilidad o la garantía de aptitud para un propósito en particular. UNA VEZ TERMINADO EL PERIODO DE UN (1) AÑO DE GARANTIA EXPRESA, EL FABRICANTE NO SE HACERESPONSABLE PORNINGUNA O CUALQUIER GARANTIA IMPLICITA INCLUYENDO, SIN LIMITACIONES, LAS GARANTIAS IMPLICITAS DE COMERCIABILIDAD Y ADAPTABILIDAD PARA UN PROPOSITO PARTICULAR. ADEMÁS, EL FABRICANTE NO ASUME NINGUNA RESPONSABILIDAD, ANTE EL COMPRADOR O ANTE CUALQUIER TERCERA PERSONA, POR DAÑOS ESPECIALES, INDIRECTOS, PUNITIVOS, INCIDENTALES O CONSECUENCIALES. El fabricante, además, no asume responsabilidad por garantías implícitas o expresas por defectos de mano de obra causados por terceras personas. Esta garantía limitada le da al comprador derechos legales específicos y el comprador puede tener otros derechos según el lugar donde el comprador o la compradora residan. Ciertas jurisdicciones no permiten limitaciones en cuanto a la duración de una garantía implícita, de manera que esta limitación puede no ser aplicable a usted.

El fabricante no autoriza a ninguna persona o compañía para asumir por el fabricante cualquier otra obligación a responsabilidad relacionada con la venta, instalación, uso, remoción, devolución o reemplazo de este equipo y cualquier representación de esta naturaleza no obliga al fabricante.

Garantía Limitada

Registro del Producto

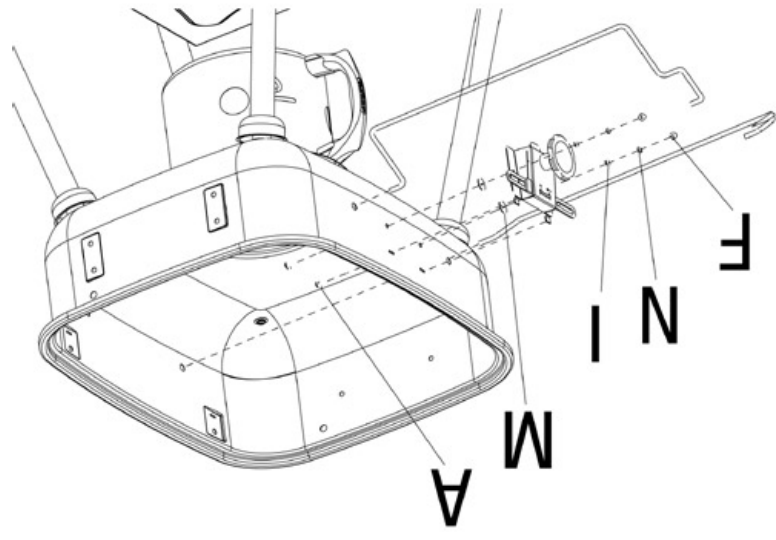
Sírvase registrar su unidad inmediatamente visitando nuestro sitio de internet www.BlueRhino.com o llamando al 1.800.762.1142.

Blue Rhino Global Sourcing, LLC
104 Cambridge Plaza Drive
Winston-Salem, North Carolina 27104 EE.UU.
Teléfono (800) 762-1142
Fax las 24 horas: (336) 659-6743
CustomerService@BlueRhino.com

Paso 5

Instale las barras de soporte de la rejilla para carbón de leña y la perilla ajustable

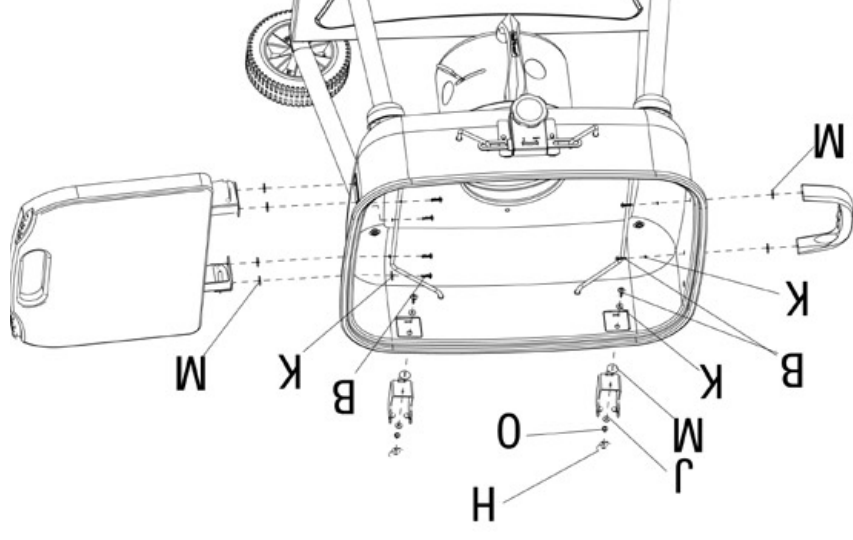
- A. Fije la perilla ajustable al fondo de cuenco usando 2 tornillos pequeños (A), 2 arandelas resistentes al calor (M), 2 arandelas pequeñas (I), 2 arandelas de cierre pequeñas (N) y 2 tuercas de tapa (F).
- B. Inserte las barras de soporte para las briquetas de carbón de leña en el fondo del cuenco.
- C. Inserte el extremo de las barras de soporte de las briquetas en las ranuras en el lado de la perilla ajustable.



Paso 6

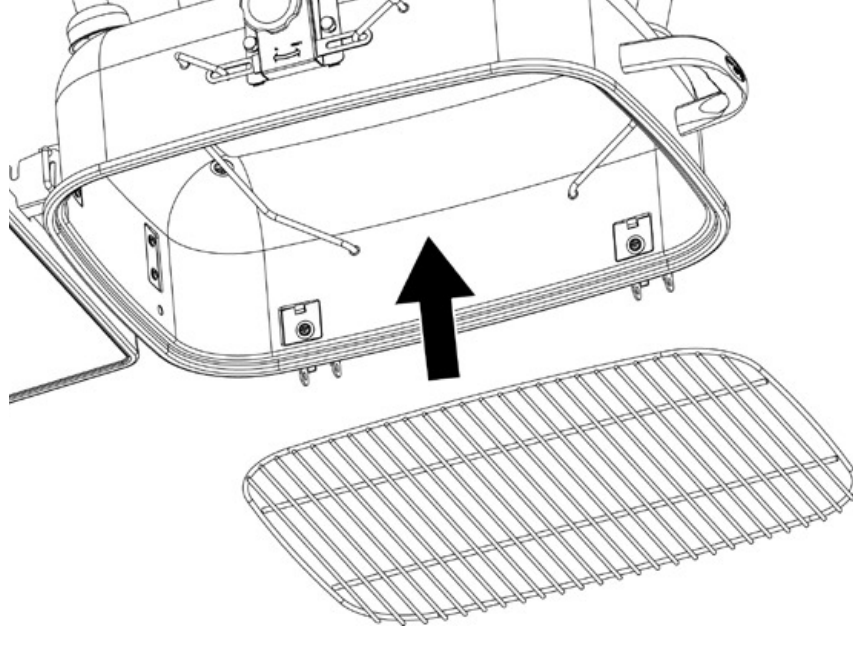
Fije la manija lateral, las bisagras y la repisa lateral

- A. Fije la manija lateral en el cuenco usando 2 arandelas resistentes al calor (M), 2 arandelas grandes (K) y 2 tornillos medianos (B).
- B. Fije las bisagras en el cuenco usando 2 tuercas de mariposa grandes (H), 2 arandelas de cierre grandes (O), 2 arandelas medianas (J), 2 arandelas resistentes al calor (M), 2 arandelas grandes (K) y 2 tornillos medianos (B).
- C. Fije la repisa lateral al cuenco usando 4 arandelas resistentes al calor (L), 4 arandelas grandes (K) y 4 tornillos medianos (B).



Paso 7

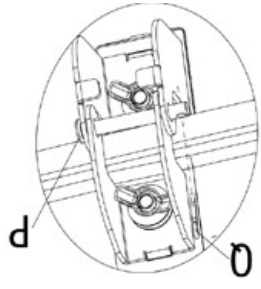
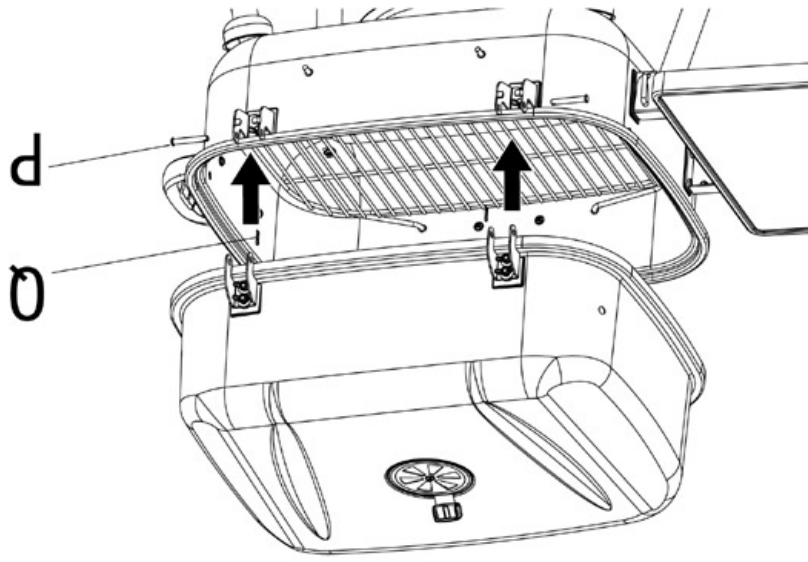
Inserte la rejilla para carbón de leña



Paso 8

Fije la tapa

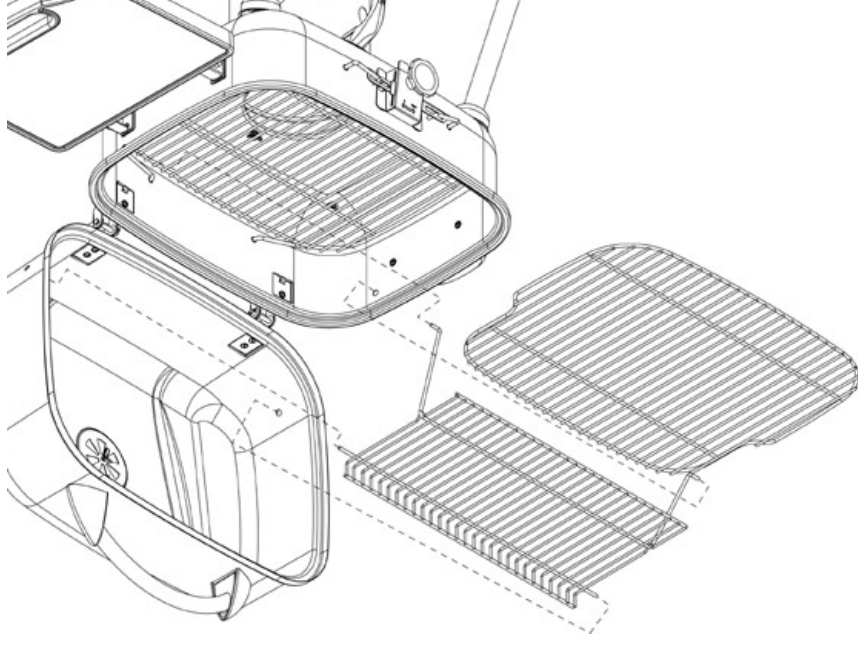
- A. Inserte las bisagras de arriba en las bisagras de abajo.
- Nota: Si la bisagra de arriba no encaja en la bisagra de abajo, suavemente apríte juntas las lengüetas de la bisagra de arriba.
- B. Asegure con 2 pernos (O) y 2 pasadores de horquilla (P).



Paso 9

Introduzca la rejilla de calentamiento

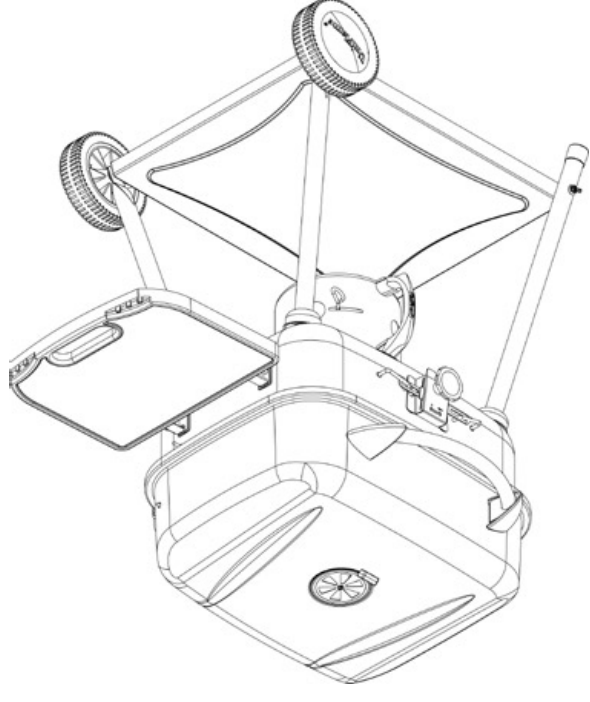
- A. Instale la rejilla de calentamiento en las perforaciones en la tapa y en el cuenco.
- Nota: Busque las perforaciones correspondientes en el costado de la tapa. Inserte los 2 extremos cortos de alambre en las perforaciones de la tapa, primero en un lado y, luego, en el otro. Coloque las patas de la rejilla de calentamiento en las ranuras en los costados del cuerpo de la parrilla.
- B. Corte la atadura en la rejilla de calentamiento.
- C. Coloque la parrilla de cocción dentro del cuenco.



Paso 10

Terminado

Felicitaciones, el armado ha terminado. Lea las instrucciones de operación antes de seguir adelante.



Instrucciones de Armado

NO DEVUELVA EL PRODUCTO AL LUGAR DE COMPRA
Si necesita ayuda llame, sin cargo, al 1.800.762.1142. Por favor tenga a mano su manual y el número de serie de la unidad, para referencia.

Para facilitar el armado:

- Evite la pérdida de componentes pequeños o elementos de ferretería, armando el producto en un lugar de piso plano sin aberturas ni hendijas.
- Despeje un área suficientemente grande para disponer todos los componentes y los elementos de ferretería.
- Cuando sea del caso, apriete a mano, en un principio, las conexiones de ferretería. Una vez que ha terminado el paso, apriete completamente todos los elementos de ferretería.
- Siga todos los pasos en el orden indicado para armar debidamente esta unidad.

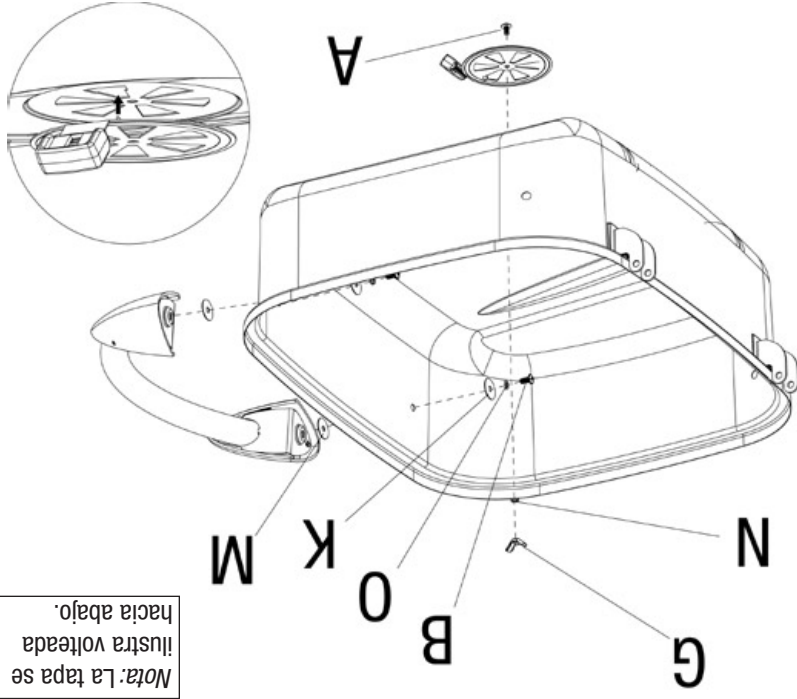
Paso 1

Fije la manija y el regulador de aire

A. Instale en la tapa la manija de la tapa usando 2 tornillos medianos (B), 2 arandelas de cierre grandes (O), 2 arandelas grandes (K) y 2 arandelas resistentes al calor (M).

B. Instale el regulador de aire en la tapa usando un tornillo pequeño (A), una arandela de cierre pequeña (M) y una tuerca pequeña de mariposa (G).

Nota: La tapa se ilustra volteada hacia abajo.

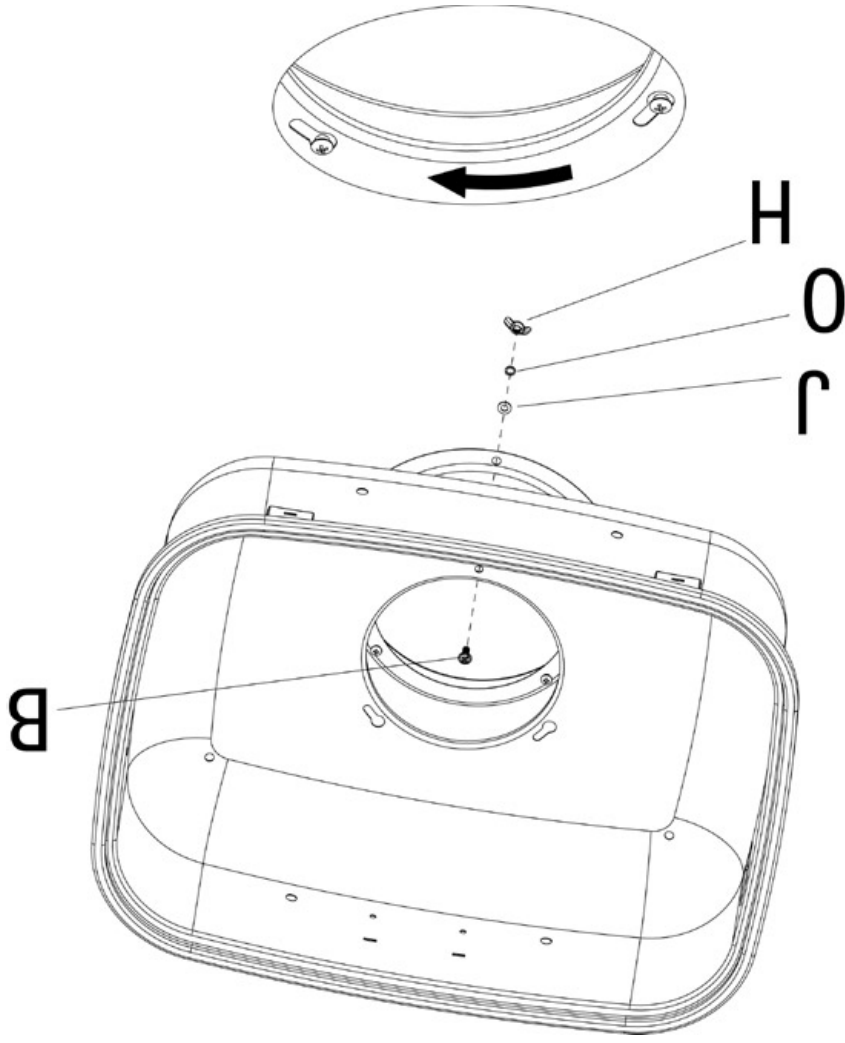


Paso 2

Fije el elemento de deslizamiento

A. Inserte el elemento de deslizamiento en la cara de abajo del cuenco. Gire el elemento para que encaje en su sitio.

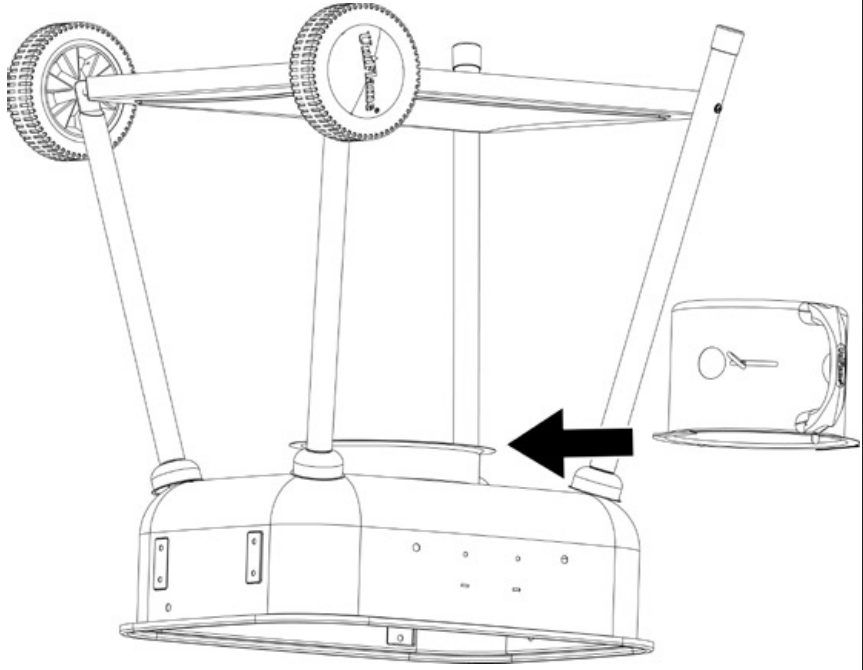
B. Fije el elemento de deslizamiento de abajo al fondo del cuenco usando un tornillo mediano (B), arandela mediana (J), arandela de cierre grande (O) y tuerca de mariposa grande (H).



Paso 4

Fije el receptor de ceniza

Inserte el receptor de ceniza en el cuenco.



Paso 3

Fije las patas, la placa del fondo y las ruedas

A. Con el cuenco volteado hacia abajo, fije las patas izquierdas y las patas de las ruedas al fondo del cuenco usando 4 copas para las patas, 4 arandelas de tamaño extra (L) y 4 arandelas de cierre grandes (O) y 4 tornillos grandes (C).

Nota: No apriete los tornillos grandes (C).

B. Fije la placa del fondo a las patas izquierdas usando 2 tornillos de tamaño extra (D), 2 arandelas grandes (K), 2 arandelas medianas (J), 2 arandelas de cierre grandes (O) y 2 tuercas de mariposa grandes (H).

C. Fije las ruedas y la placa del fondo en las patas de las ruedas usando el eje y 2 tuercas (E).

D. Fije los tapacubos de las ruedas.

E. Apriete los tornillos grandes (C).

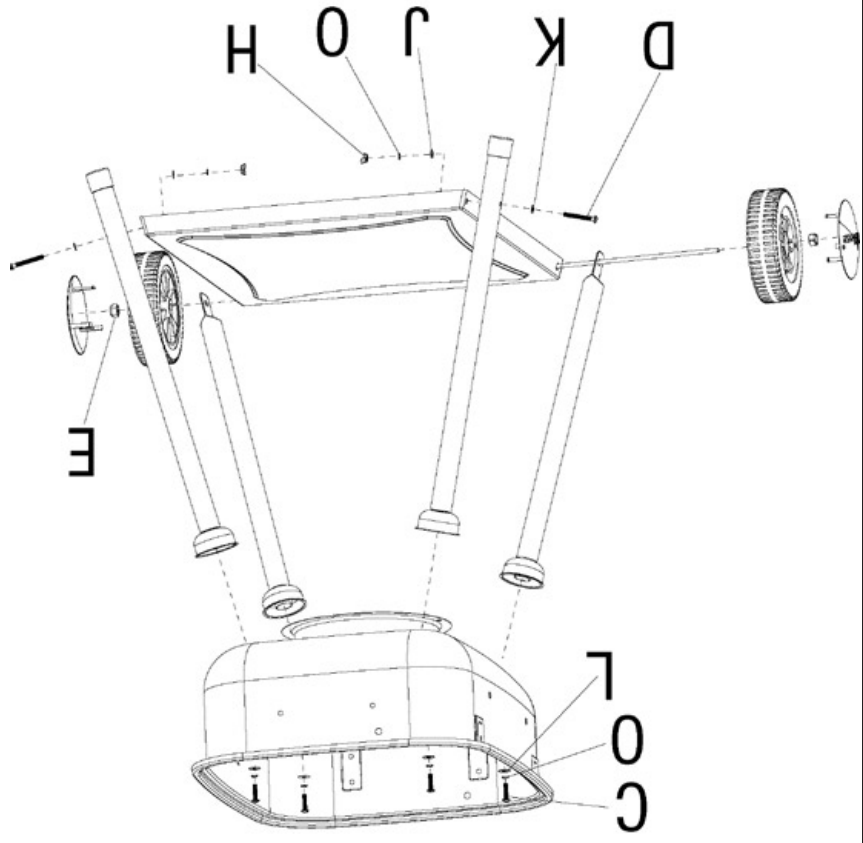
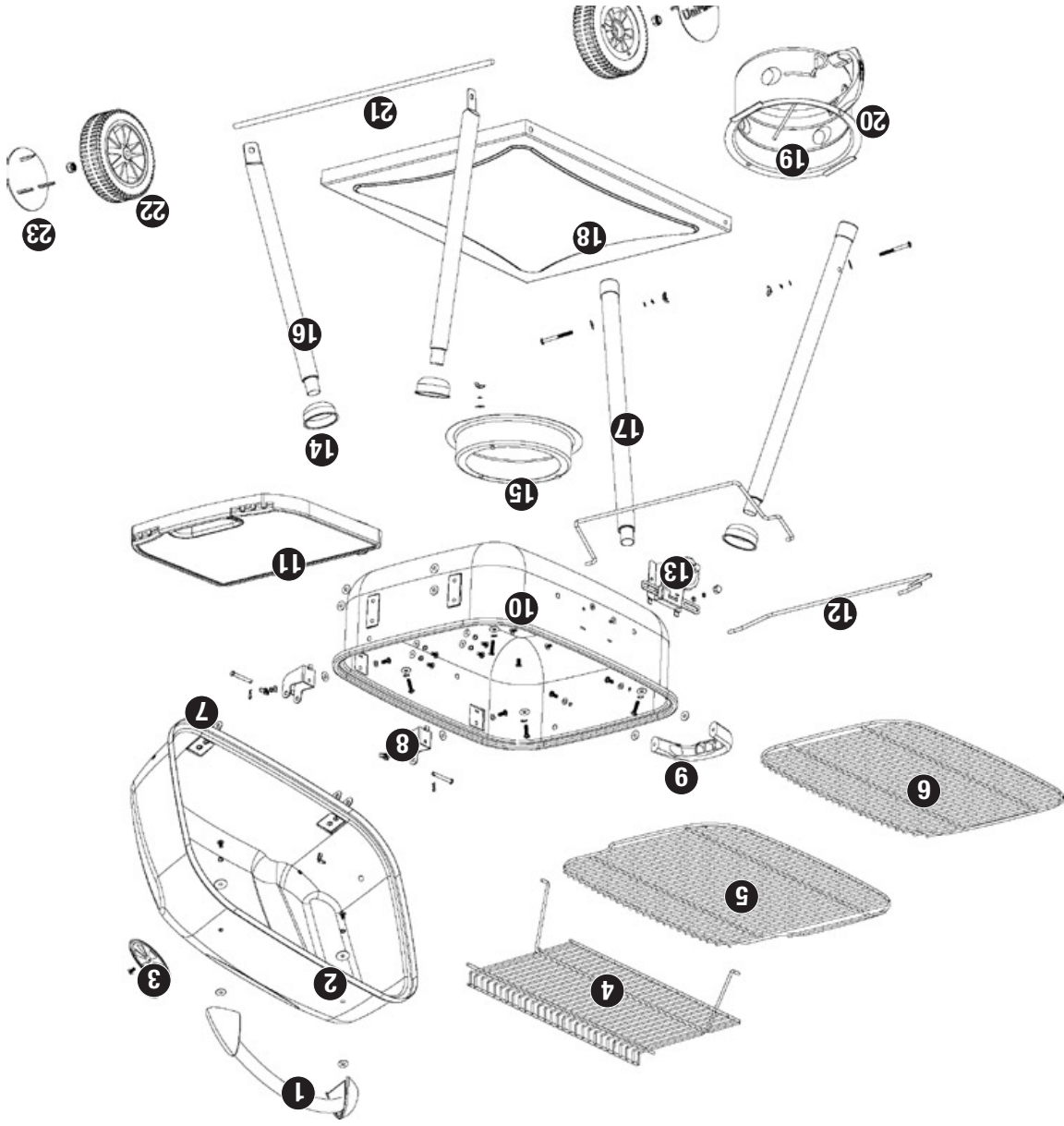


Diagrama de Explosión

- 1. Manija de la tapa. 55-15-124
- 2. Tapa. 55-15-120
- 3. Regulador de aire. 55-14-857
- 4. Rejilla de calentamiento. 55-14-855
- 5. Parrilla de cocción. 55-14-873
- 6. Rejilla para carbón de leña. 55-14-856
- 7. Bisagra de arriba (2)*. 55-15-123
- 8. Bisagra de abajo (2). 55-14-868
- 9. Manija lateral. 55-14-870
- 10. Cuenco de abajo. 55-14-865
- 11. Repisa lateral. 55-14-869
- 12. Barra de soporte de la rejilla para carbón de leña (2). 55-14-872
- 13. Perilla ajustable. 55-14-871
- 14. Copa para las patas (4). 55-14-864
- 15. Elemento de deslizamiento. 55-14-866
- 16. Pata de rueda (2). 55-14-860
- 17. Pata izquierda (2). 55-14-863
- 18. Placa de abajo. 55-14-858
- 19. Receptor de ceniza. 55-15-125
- 20. Manija del receptor de ceniza*. 55-13-263
- 21. Eje. 55-14-859
- 22. Rueda (2). 55-14-861
- 23. Tapacubos (2). 55-14-862

*Viene ensamblado



Elementos de Ferrería

A.	Tornillo pequeño Tornillo de cabeza abombada Philips M5x12	3
B.	Tornillo mediano Tornillo de cabeza abombada Philips M6x16	11
C.	Tornillo grande Tornillo de cabeza abombada Philips M6x40	4
D.	Tornillo de tamaño extra Tornillo de cabeza abombada Philips M6x45	2
E.	Tuerca** Tuerca galvanizada hexagonal M10	2
F.	Tuerca de tapa** Tuerca de tapa de aluminio M5	2
G.	Tuerca de mariposa pequeña** Tuerca galvanizada M5	1
H.	Tuerca de mariposa grande** Tuerca galvanizada M6	5
I.	Arandela pequeña Arandela galvanizada ø5,5	2

Herramientas incluidas

J.	Arandela mediana Arandela galvanizada ø6,5	5
K.	Arandela grande Arandela galvanizada ø6,5	12
L.	Arandela de tamaño extra Arandela galvanizada ø6,2	4
M.	Arandela resistente al calor Arandela resistente al calor ø6	12
N.	Arandela de cierre pequeña Arandela de cierre galvanizada ø5,5	3
O.	Arandela de cierre grande Arandela de cierre galvanizada ø6,5	11
P.	Pernos**	2
Q.	Pasadores de horquilla**	2
R.	Destornillador**	1
S.	Llave**	2

**Esta pieza no se ve a tamaño real.



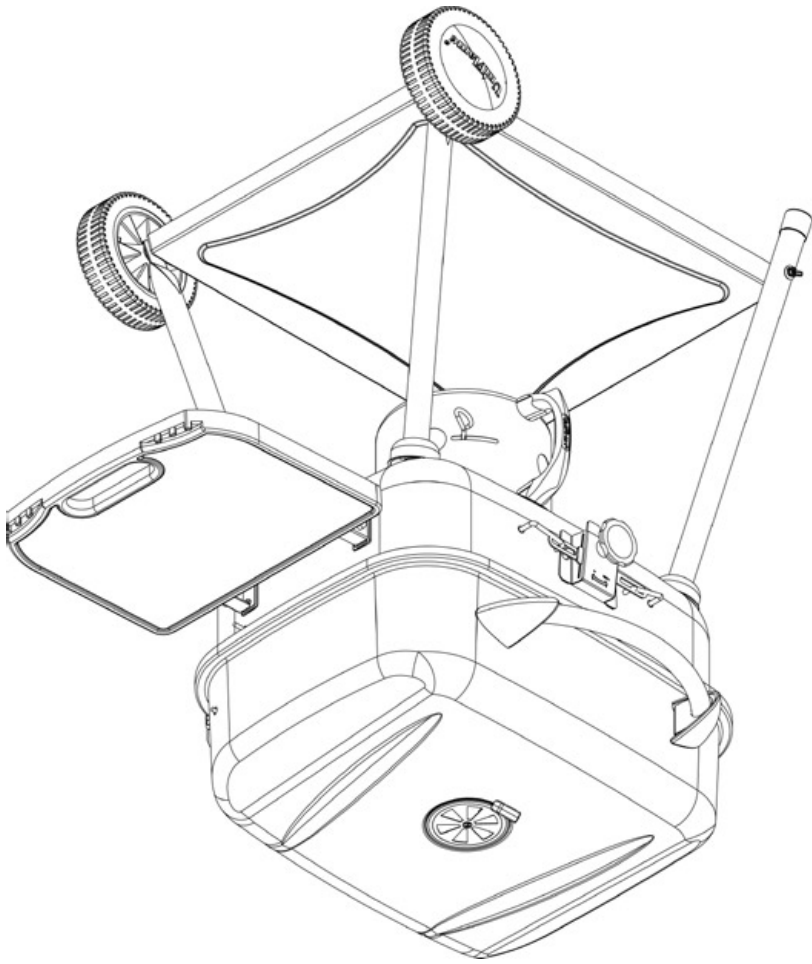
ADVERTENCIA
PARA SU SEGURIDAD:

1. Esta parrilla es para ser usada al aire libre únicamente y no debe usarse en un edificio, garaje o cualquier otra área cerrada.
2. Esta parrilla de gas NO ha sido diseñada para uso comercial.
3. NO use la parrilla para cocinar dentro o calentar el ambiente. Los gases tóxicos de monóxido de carbono pueden acumularse y provocar la asfixia.
4. No utilice gasolina, queroseno o alcohol para encender la parrilla.
5. No utilice el equipo en una atmósfera explosiva. Mantenga la zona de la parrilla libre de materiales combustibles, gasolina y cualquier otro vapor o líquido inflamable.
6. No guarde o use gasolina u otros líquidos o vapores inflamables a menos de 25 pies (7,62 m) de esta unidad.
7. Las briquetas de encendido instantáneo pueden arder a muy alta temperatura durante su encendido inicial. Asegúrese de tener la tapa abierta hasta que las briquetas se tornen en carbones encendidos.
8. Mantenga todo material y superficies combustibles a por lo menos 53 cm (21 pulg.) de la parrilla en todo momento. NO use esta parrilla debajo de aleros o cerca de construcciones combustibles que no estén debidamente protegidas.
9. No altere la parrilla de ninguna forma.
10. No utilice la parrilla a menos que esté completamente montada y que todas las piezas estén bien fijadas y apretadas.
11. Esta parrilla de gas debe limpiarse y verificarse completamente de manera regular.
12. Use únicamente piezas autorizadas de fábrica de Blue Rhino Global Sourcing, LLC. El uso de cualquier pieza no autorizada de fábrica puede ser peligroso. Su uso invalida su garantía. Llame al 1.800.762.1142.
13. No encienda esta unidad sin haber leído las instrucciones de "Encendido" que se encuentran en este manual.
14. No toque las piezas de metal de la parrilla hasta que no se haya entrado completamente (alrededor de 45 minutos) para evitar quemaduras, a menos que usted tenga puestos elementos de protección tales como guantes o almohadilla para las ollas, guantes de barbacoa, etc.
15. Nunca toque rejillas (de carbón de leña o de cocción), las cenizas o el carbón para determinar si están calientes.
16. No usar sobre terrazas de madera, muebles de madera o sobre cualquier otra una superficie combustible.
17. NO instalar o utilizar en embarcaciones o vehículos de recreo.
18. Coloque la parrilla de manera que el viento no lleve cenizas a superficies combustibles.
19. No utilice la parrilla si hace mucho viento.
20. Nunca se apoye sobre la parrilla cuando la está encendiendo.
21. No deje una parrilla encendida sin vigilancia, especialmente, mantenga los niños y las mascotas lejos de la parrilla en todo momento.
22. No intente mover la parrilla mientras esté encendida. Deje que la parrilla se enfríe antes de moverla o guardarla.
23. Abra siempre la tapa de la parrilla en forma cuidadosa y lentamente, pues el calor y el vapor que hay dentro de la parrilla pueden ocasionarle severas quemaduras.
24. Coloque siempre la parrilla sobre una superficie firme y nivelada que no sea combustible. Una superficie de asfalto o de pavimento puede no sea adecuada para este propósito.
25. NO quite las cenizas antes de que éstas se hayan completamente entrado y apagado.
26. Briqueas y carbones encendidos pueden crear un riesgo de incendio.
27. Siempre vacíe el receptor de ceniza y la parrilla después de haberlos usado. No remueva la ceniza antes de que toda ella se haya extinguido completamente.
28. No coloque materias combustibles (briqueas, madera o carbón de leña en bloque) directamente en el fondo de la parrilla. Coloque la materia combustible únicamente en la rejilla y bandeja para el carbón de leña.
29. Verifique que las aberturas de ventilación están libres de ceniza o residuos antes de usar la parrilla y mientras la está usando.
30. Verifique que el receptor de ceniza está asegurado y totalmente en su lugar antes de usar la parrilla.
31. Use siempre guantes de protección cuando vaya a agregar materia combustible para mantener el nivel de temperatura deseada.
32. Mantenga todos los cables eléctricos lejos de una parrilla caliente.
33. Use siempre un termómetro para carne para asegurar que la comida ha quedado cocida a la temperatura apropiada.
34. El no seguir exactamente las instrucciones dadas arriba puede producir daños a la propiedad, lesiones serias y hasta fatales.



Parrilla de Carbón de Leña para Exteriores

Modelo n° NPC1924N



Indice

- 2. Salvaguardias importantes
- 3. Diagrama de explosión y elementos de ferreteria
- 4. Instrucciones de armado
- 6. Instrucciones de operación
- 6. Limpieza y cuidado
- 6. Registro del producto
- 6. Garantía limitada

ADVERTENCIA
PARA SU SEGURIDAD:
Solamente Para Uso En Exteriores
(fuera de cualquier recinto)

ADVERTENCIA
PARA SU SEGURIDAD:
1. Una instalación, ajuste, alteración, reparación o mantenimiento inadecuados puede causar lesiones o daños a la propiedad.
2. Lea atentamente las instrucciones de instalación, funcionamiento y mantenimiento del equipo antes de instalarlo, ponerlo en marcha o darle servicio.
3. El no seguir estas instrucciones puede ocasionar un incendio o una explosión, con sus consecuentes daños a la propiedad, lesiones personales y hasta accidentes fatales.

Conserve estas instrucciones para futuras consultas. Si está montando esta unidad para otra persona, entéguele este manual para futuras consultas.

Free Manuals Download Website

<http://myh66.com>

<http://usermanuals.us>

<http://www.somanuals.com>

<http://www.4manuals.cc>

<http://www.manual-lib.com>

<http://www.404manual.com>

<http://www.luxmanual.com>

<http://aubethermostatmanual.com>

Golf course search by state

<http://golfingnear.com>

Email search by domain

<http://emailbydomain.com>

Auto manuals search

<http://auto.somanuals.com>

TV manuals search

<http://tv.somanuals.com>