

Endless Summer[®]



Cleaning emitter and burner



Series:
60000-66000
70000-91000
LP Gas



Tools needed:

- #2 Phillips screw driver
- 7/16 wrench
- Needle-nose pliers
- Non-abrasive scouring pad
- Bottle brush
- Pipe cleaners
- Air hose or can of compressed air
- Rubber gloves

DANGERS and *Cautions*

- 1. Installation and repair should be done by a qualified service person.**
- 2. Use only Blue Rhino Global Sourcing, LLC. factory authorized parts. The use of any part that is not factory authorized can be dangerous. This will also void your warranty. Contact 1.800.762.1142.**
- 3. Do not use flammable solutions or material to clean heater or heater parts. Use only warm soapy water to clean outside of heater.**
- 4. Do not submerge control valve in water.**



Steps 1-3

1. Remove propane cylinder.
2. Remove dome.
3. Remove wire guard.



Step 4



Using a #2 Phillips screwdriver, remove the 4 screws that secures the emitter to the emitter bottom.



Step 5



1. Using a non-abrasive scouring pad, clean the outside and inside of the emitter.
2. Finish up by blowing any loose soot off the emitter with air or a can of compressed air.



Step 6



To remove the burner from the emitter bottom unscrew the 2 screws.



Step 7



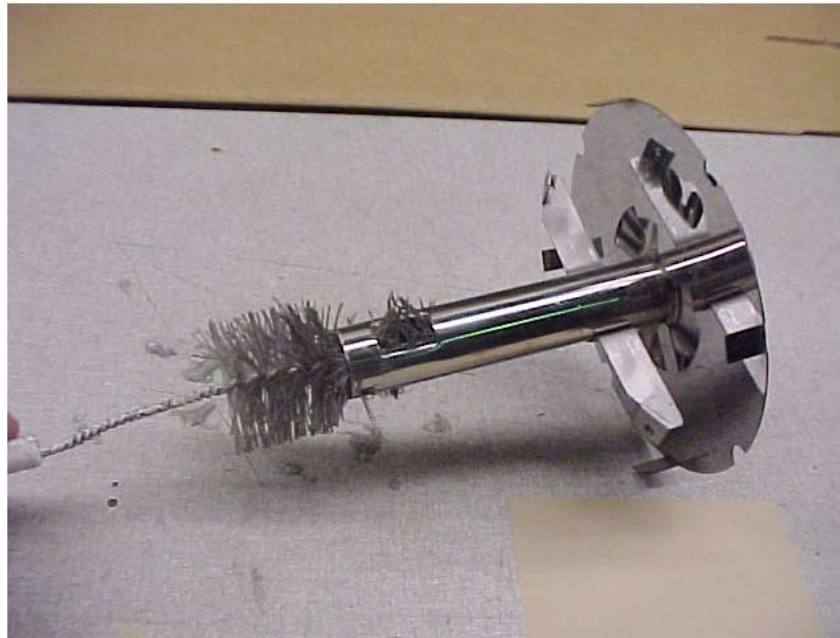
1. In the post, locate the 4 oblong holes. In two of the holes there are 2 small screws.

Note: The 2 screws are opposite of each other.

2. Remove both of these screws. Use care not to lose them. Once the screws have been removed, carefully remove burner.



Step 8



With the burner removed, clean the inside of the venturi tube. Insert a bottle brush completely into the venturi tube and twist a couple of times to loosen any debris.



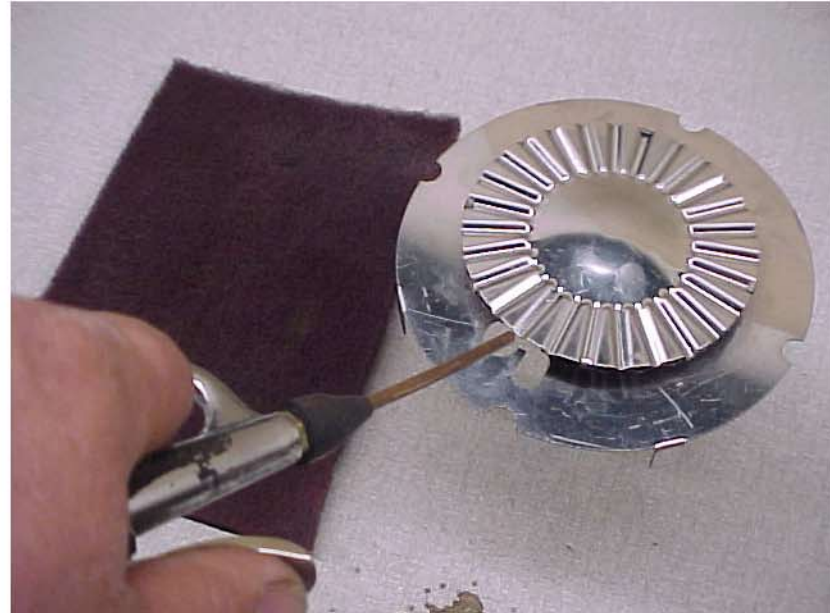
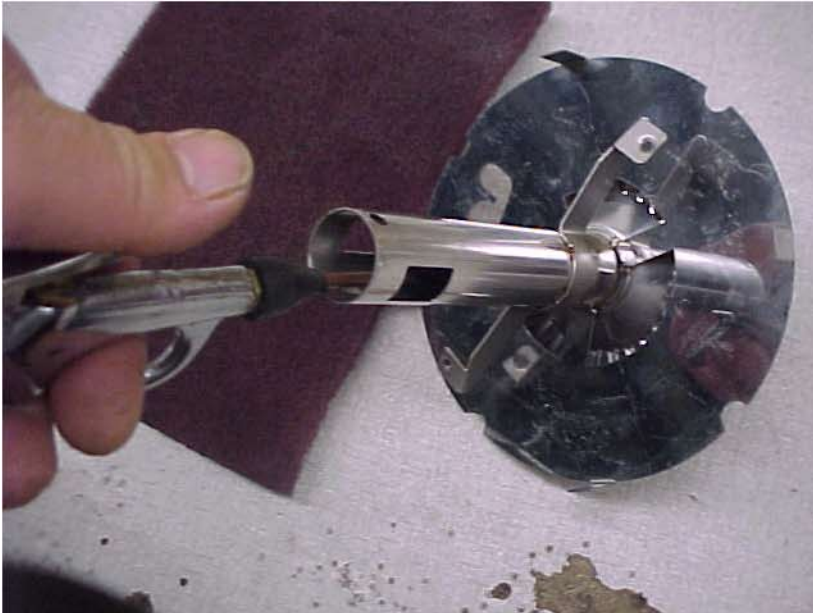
Step 9



Use a pipe cleaner to clean all burner ports. Clean the top of the heat shield on the burner with a non-abrasive scouring pad to remove any soot or carbon build-up.



Step 10



With the venturi tube, burner ports and the heat shield cleaned, use the air or a can of compressed air to blow out any soot or carbon build-up.



Step 11

After the burner and the emitter are clean, reassemble the burner to the main supply tube. Be careful to insert the thermal-couple and igniter into the hole in the heat shield. Before reattaching the emitter to the emitter bottom, insert a propane tank into the valve housing and check to ensure that the heater lights.

Make sure the burner sits straight.

Note: The burner top cannot be tipped to one side or the other. If the burner is not straight; the emitter will not be heated evenly. This will cause the heater to perform improperly. Once the burner is installed correctly, replace emitter and dome.



Step 12- IMPORTANT

Perform leak check.



WARNING FOR YOUR SAFETY

If you smell gas -

1. Shut off gas to appliance.
2. Extinguish any open flame.
3. If odor continues, immediately call your gas supplier or your fire department.

1. Do not operate if gas leak is present. Gas leaks may cause a fire or explosion.
2. You must follow all leak-checking procedures before operating. To prevent fire or explosion hazard when testing for a leak:
 - a. Always perform leak test before lighting the heater and each time the tank is connected for use.
 - b. No smoking. Do not use or permit sources of ignition in the area while conducting a leak test.
 - c. Conduct the leak test outdoors in a well-ventilated area.
 - d. Do not use matches, lighters, or a flame to check for leaks.
 - e. Do not use heater until any and all leaks are corrected.If you are unable to stop a leak, disconnect the LP gas supply. Call a gas appliance serviceman or your local LP gas supplier.

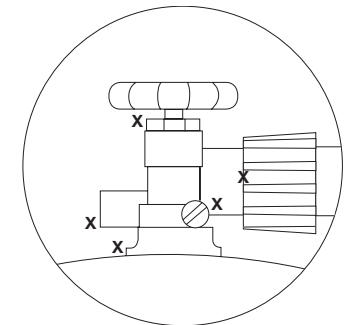
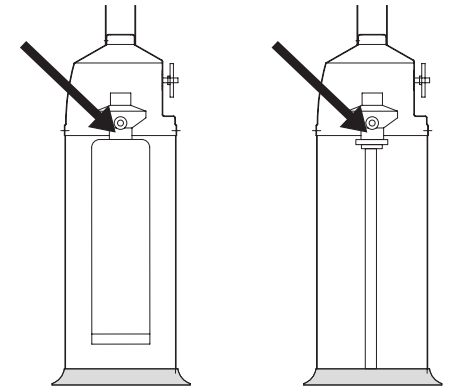


Burner Connections

1. Make sure the regulator valve and hose connections are securely fastened to the burner and the tank.
2. If your unit was assembled for you, visually check the connection between the burner pipe and orifice. Make sure the burner pipe fits over the orifice.

WARNING: Failure to inspect this connection or follow these instructions could cause a fire or an explosion which can cause death, serious bodily injury, or damage to property.

3. Please refer to diagram for proper installation.
4. If the burner pipe does not rest flush to the orifice, please contact 1.800.762.1142 for assistance.



Tank/Gas Line Connection

1. Make 2-3 oz. of leak solution by mixing one part liquid dishwashing soap with three parts water.
2. Make sure control knobs are off.
3. Turn LP gas tank ON at valve.
4. Spoon leak check solution at all "x" and arrow locations.
5. If any bubbles appear turn LP gas tank OFF, reconnect and re-test. If you continue to see bubbles after several attempts, disconnect LP gas source and contact 1.800.762.1142 for assistance.
6. If no bubbles appear after one minute turn tank OFF, wipe away solution and proceed.



Blue Rhino Global Sourcing, LLC
104 Cambridge Plaza Drive, Winston-Salem, NC 27104 USA
1.800.762.1142, www.bluerhino.com

© 2004 Blue Rhino Global Sourcing, LLC All Rights Reserved.
Endless Summer® is a registered trademark of Blue Rhino Global Sourcing, LLC All Rights Reserved.
Blue Rhino® is a registered trademark of Ferrellgas, L.P. All Rights Reserved.

Free Manuals Download Website

<http://myh66.com>

<http://usermanuals.us>

<http://www.somanuals.com>

<http://www.4manuals.cc>

<http://www.manual-lib.com>

<http://www.404manual.com>

<http://www.luxmanual.com>

<http://aubethermostatmanual.com>

Golf course search by state

<http://golfingnear.com>

Email search by domain

<http://emailbydomain.com>

Auto manuals search

<http://auto.somanuals.com>

TV manuals search

<http://tv.somanuals.com>