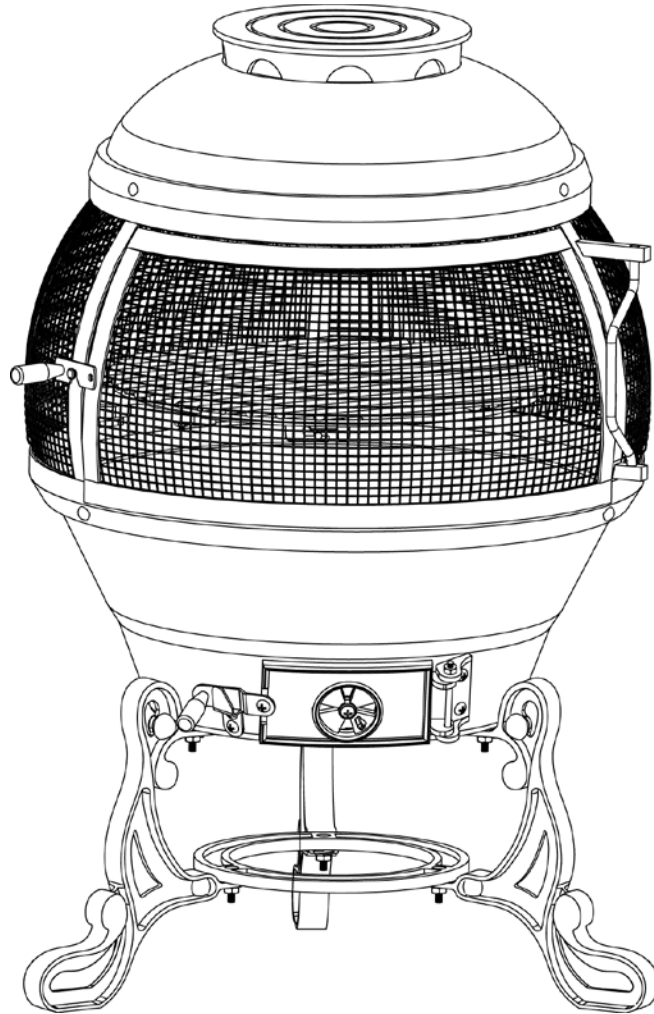




Outdoor Fireplace

Model No. 252207



WARNING
FOR YOUR SAFETY:
For Outdoor Use Only
(outside any enclosure)

WARNING
FOR YOUR SAFETY:

- 1. Improper installation, adjustment, alteration, service or maintenance can cause injury or property damage.**
- 2. Read the installation, operation, and maintenance instructions thoroughly before installing or servicing this equipment.**
- 3. Failure to follow these instructions could result in fire or explosion, which could cause property damage, personal injury, or death.**

Save these instructions for future reference. If you are assembling this unit for someone else, give this manual to him or her to read and save for future reference.

Table of Contents

Important Safeguards 2
Assembly Instructions 3
Operating Instructions 4
 Lighting 4
 Tending the Fire 4
 Extinguishing 4
Cleaning and Care 4
 Inspecting 4
 Cleaning 4
 Storing 4
Product Registration 4
Limited Warranty 4
Exploded View & Hardware Appendix A

Manufactured in China for:
Blue Rhino Global Sourcing, LLC
Winston-Salem, NC 27104 USA
1.800.762.1142, www.bluerhino.com



WARNING
FOR YOUR SAFETY

1. This appliance is for outdoor use only, and shall NOT be used in a building, garage, or any other enclosed area.
2. Do NOT use this outdoor fireplace for indoor heating. TOXIC carbon monoxide fumes can accumulate and cause asphyxiation.
3. This outdoor fireplace is NOT for commercial use.
4. This outdoor fireplace is NOT to be operated by children.
5. This outdoor fireplace is NOT to be used in or on boats or recreational vehicles.
6. Always use in accordance with all applicable local, state and national codes. Contact your local fire department for details on outdoor burning.
7. When using this outdoor fireplace, exercise the same precautions you would with any open fire.
8. The use of alcohol, prescription or non-prescription drugs may impair the consumer's ability to properly assemble or safely operate this outdoor fireplace.
9. Do NOT use this outdoor fireplace without reading the entire "Owner's Manual".
10. This outdoor fireplace is for use with dry, seasoned hardwood. It will burn hotter, more completely and create less smoke.
11. Do NOT burn charcoal briquets, lump charcoal, manufactured logs, driftwood, trash, leaves, paper, cardboard, plywood, painted or stained or pressure treated wood. Avoid using softwoods such as pine or cedar that can throw sparks.
12. Do NOT alter this outdoor fireplace in any manner.
13. Do NOT use this outdoor fireplace until it is COMPLETELY assembled and all parts are securely fastened and tightened.
14. Do NOT store or use gasoline or other flammable vapors or liquids in the vicinity of this or any other appliance.
15. Do NOT store or use an LP gas cylinder within 10 feet (3.05 m) of this outdoor fireplace while it is in operation.
16. Do NOT use this outdoor fireplace near automobiles, trucks, vans or recreational vehicles.
17. Do NOT use in an explosive atmosphere. Keep outdoor fireplace area clear and free from combustible materials, gasoline and other flammable liquids.
18. Do NOT use this outdoor fireplace under any overhead or near any unprotected combustible constructions. Avoid using near or under overhanging trees and shrubs.
19. Always use this outdoor fireplace on a hard, level non-combustible surface such a concrete, rock or stone. An asphalt or blacktop surface may not be acceptable for this purpose. Do NOT use on wooden decks.
20. Always empty this outdoor fireplace before each use.
21. Do NOT wear flammable or loose clothing when operating this outdoor fireplace.
22. Do NOT use in windy conditions.
23. Do NOT use this outdoor fireplace unless spark guards are securely in place.
24. Do NOT use gasoline, kerosene, diesel fuel, lighter fluid or alcohol to light or relight fires.
25. Keep all electrical cords away from a hot fireplace.
26. All surfaces of this outdoor fireplace are hot when in operation. To avoid burns, do NOT touch fireplace until it has completely cooled unless you are wearing protective gear (Potholders, gloves, BBQ mittens, hot pads & etc.). Never touch ashes or coals to see if they are hot.
27. Do NOT leave a lit outdoor fireplace unattended, especially around children and pets.
28. Do NOT attempt to move or store this outdoor fireplace until all ashes and coals are completely extinguished.
29. Do NOT remove ashes or coals until they are completely and fully extinguished.
30. Use heat-resistant gloves or hot pads when contacting handles.
31. Use long, sturdy fireplace tools when adding or moving logs.
32. Do NOT place wood directly into bottom of the outdoor fireplace. Place wood only on the wood grid.
33. Do NOT overload the fireplace. Do not add additional firewood until the fire burns down. NOTICE: If any portion of the bowl, lid or spark guards of this outdoor fireplace are glowing red it is overloaded.
34. Do NOT lean over this outdoor fireplace when lighting or when in use.
35. Do NOT place a hot spark guard or hot fireplace tools onto combustible surfaces such as grass, wooden deck or furniture.
36. Avoid breathing smoke from the fire and avoid getting it into your eyes.
37. This outdoor fireplace should be thoroughly inspected and cleaned on a regular basis.
38. After a period of storage and/or non-use, check for signs of damage and creosote build-up. Do NOT operate until necessary repairs and/or cleanup are executed.
39. Use only Blue Rhino Global Sourcing, LLC factory authorized parts. The use of any part that is NOT factory authorized can be dangerous and will void your warranty. Contact 1.800.762.1142.
40. Deaths, serious injury or damage to property may occur if the above is not followed exactly.

Assembly Instructions

DO NOT RETURN PRODUCT TO STORE.

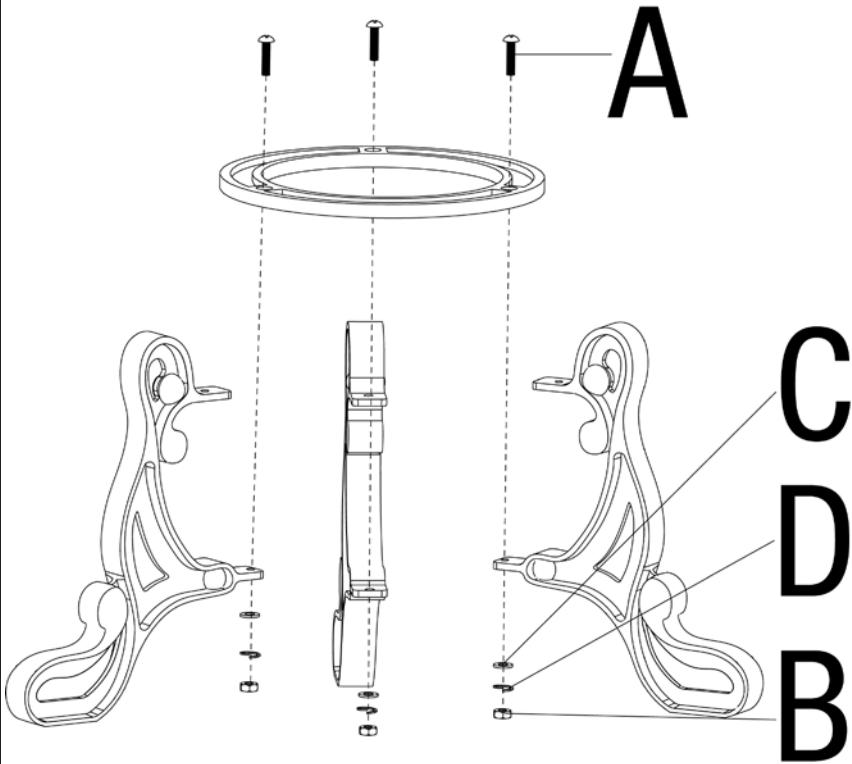
For assistance call 1.800.762.1142 toll free. Please have your owner's manual available for reference.

For Easiest Assembly:

- To avoid losing any small components or hardware, assemble your product on a hard level surface that does not have cracks or openings.
- Clear an area large enough to layout all components and hardware.
- When applicable, tighten all hardware connections by hand first. Once the step is completed go back and fully tighten all hardware.
- Follow all steps in order to properly assemble your product.

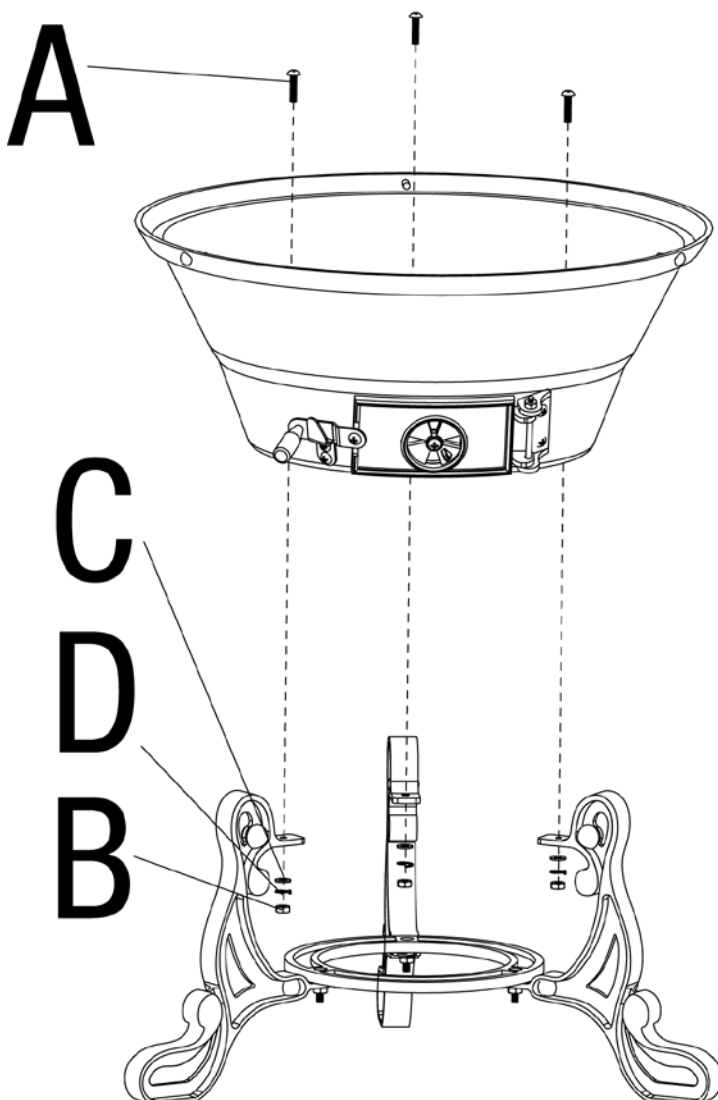
Step 1 Assemble legs

Attach legs to leg plate ring using 3 sets of screws (A), washers (C), lock washers (D), and nuts (B).



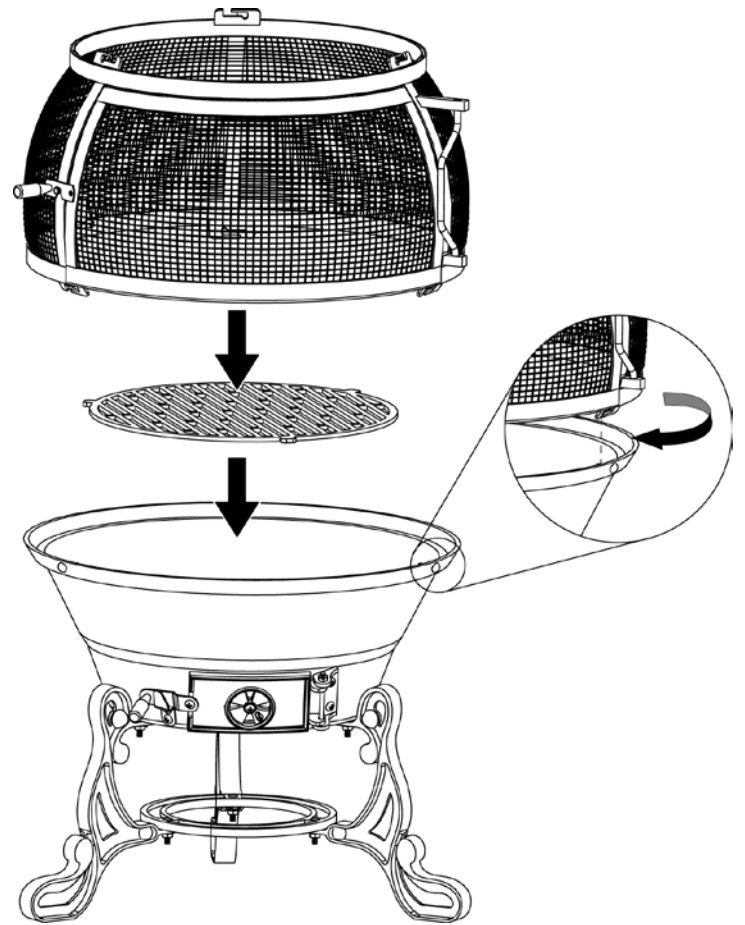
Step 2 Attach bowl

Attach bowl to legs using using 3 sets of screws (A), washers (C), lock washers (D), and nuts (B).



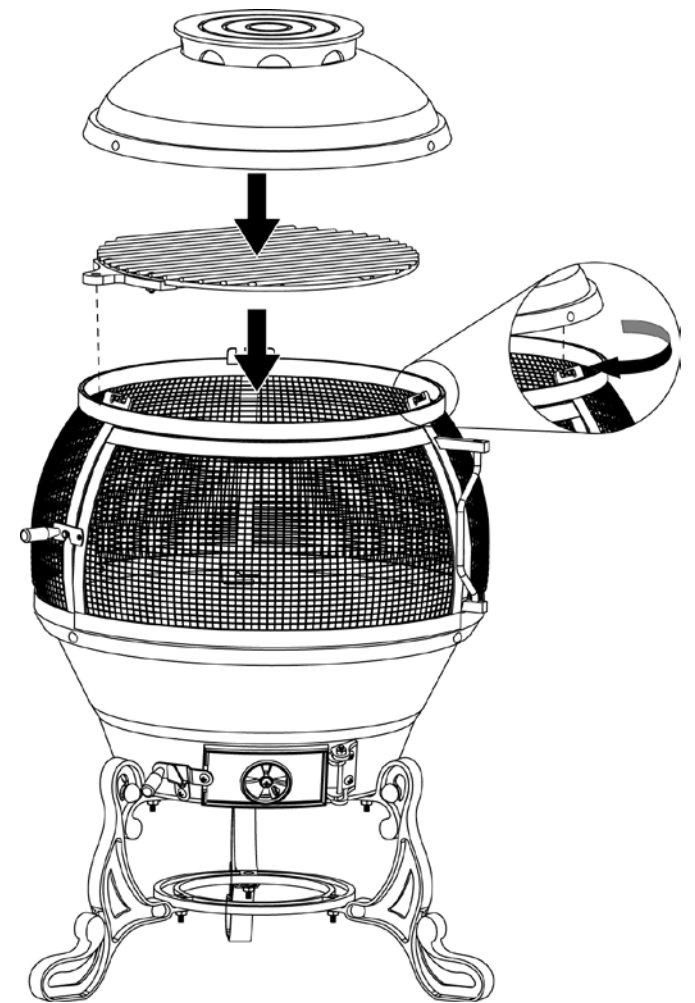
Step 3 Insert charcoal grid and spark guard

- Insert charcoal grid into bowl.
- Place spark guard onto bowl, turn left to secure.



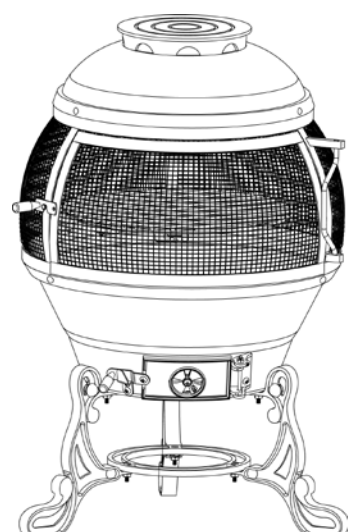
Step 4 Insert cooking grid and top lid

- Place cooking grid onto peg on inside of spark guard.
- Place top onto spark guard, turn left to secure.



Step 7 Completed

Congratulations your assembly is now complete. Read Operating Instructions before proceeding.





Operating Instructions



WARNING **FOR YOUR SAFETY**

Before using this outdoor fireplace, make sure you have read, understand and are following all information provided in the Important Safeguards presented on page 2. Failure to follow those instructions can cause death, serious injury or property damage.

Lighting

1. Make sure there is only a small amount of ash in the bottom of the bowl.
2. Place a layer of dry kindling or a natural firestarter such as Fatwood™ onto the center of the grate.
3. Place above that a layer of dry seasoned hardwood that is cut to lengths no more than 3/4 the diameter of the bowl.
4. Use a match to light kindling or firestarter.
5. Using a hook and heat resistant gloves, replace spark guard once the kindling or firestarter is lit.

Tending the Fire

You may need to shift and/or add logs for an ideal experience.

Do NOT place a hot spark guard or hot fireplace tools onto combustible surfaces such as grass, wooden deck or furniture.

1. Using a hook and heat resistant gloves, carefully remove spark guard.
2. While using a long handled fireplace tool, shift coals and logs to allow additional airflow.
3. Do NOT add gasoline, kerosene, diesel fuel, lighter fluid or alcohol to relight or enhance an existing fire.
4. Wait until glowing coals have developed before adding any additional wood. If additional wood is required, place wood on top coals. Be careful not to shift ashes.
4. Using a hook and heat resistant gloves, replace spark guard.

Extinguishing

1. Allow fire to burn itself out.
2. Do NOT use water to extinguish as this is dangerous and can cause damage to this outdoor fireplace.

Cleaning & Care

Inspecting

This outdoor fireplace should be inspected on a regular basis to ensure product safety and longer product life.

Do NOT attempt to inspect this outdoor fireplace until the fire is COMPLETELY out.

1. Check handles to make sure they are secure.
2. Check components for any signs of damage or rust.
3. If damage to any component is detected, do NOT operate until repairs are executed.

Cleaning

This outdoor fireplace should be cleaned on a regular basis to promote safer experiences and longer product life.

Note: After repeated use, a slight discoloration of the finish may occur.

Do NOT attempt to clean this outdoor fireplace until the fire is COMPLETELY out.

Do NOT use oven cleaner or abrasive cleaners as they will damage this product.

Do NOT clean any part of this outdoor fireplace in a self cleaning oven as it may damage the finish.

1. Wipe exterior surfaces with a mild dishwashing detergent or baking soda.
2. For stubborn surfaces use a citrus based degreaser and a nylon scrubbing brush.
3. Rinse clean with water.
4. Remove built-up creosote from components with a chimney cleaning product.

Storage

Do NOT move or store this outdoor fireplace until the fire is COMPLETELY out.

1. Once the fire is out, coals are cold and outdoor fireplace is cool to the touch, remove ashes and properly dispose.
2. Cover outdoor fireplace with a durable vinyl cover designed to fit this unit.
3. Store assembled in a location away from children and pets.

Note: If you do not use a cover, store this outdoor fireplace in a dry location to maximize product life.

Product Registration

Please register your product immediately at www.BlueRhino.com or call 1.800.762.1142.

Limited Warranty

Blue Rhino Global Sourcing, LLC ("Vendor") warrants to the original retail purchaser of this product, and to no other person, that if this product is assembled and operated in accordance with the printed instructions accompanying it, then for a period of one (1) year from the date of purchase, all parts in such product shall be free from defects in material and workmanship. Vendor may require reasonable proof of your date of purchase. Therefore, you should retain your sales slip or invoice. This Limited Warranty shall be limited to the repair or replacement of parts, which prove defective under normal use and service and which Vendor shall determine in its reasonable discretion upon examination to be defective. Before returning any parts, you should contact Vendor's Customer Service Department using the contact information listed below. If Vendor confirms, after examination, a defect covered by this Limited Warranty in any returned part, and if Vendor approves the claim, Vendor will replace such defective part without charge. If you return defective parts, transportation charges must be prepaid by you. Vendor will return replacement parts to the original retail purchaser, freight or postage prepaid.

This Limited Warranty does not cover any failures or operating difficulties due to accident, abuse, misuse, alteration, misapplication, improper installation or improper maintenance or service by you or any third party, or failure to perform normal and routine maintenance on the product as set out in this owner's manual. In addition, the Limited Warranty does not cover damage to the finish, such as scratches, dents, discoloration, rust or other weather damage, after purchase.

This Limited Warranty is in lieu of all other express warranties. Vendor disclaims all warranties for products that are purchased from sellers other than authorized retailers or distributors, including the warranty of merchantability or the warranty of fitness for a particular purpose. **VENDOR ALSO DISCLAIMS AND ANY ALL IMPLIED WARRANTIES, INCLUDING WITHOUT LIMITATION THE IMPLIED WARRANTIES OF MERCHANTABILITY AND FITNESS FOR A PARTICULAR PURPOSE. VENDOR SHALL NO LIABILITY TO PURCHASER OR ANY THIRD PARTY FOR ANY SPECIAL, INDIRECT, PUNITIVE, INCIDENTAL, OR CONSEQUENTIAL DAMAGES.** Vendor further disclaims any implied or express warranty of, and assumes no responsibility for, defects in workmanship caused by third parties.

This Limited Warranty gives the purchaser specific legal rights; a purchaser may have other rights depending upon where he or she lives. Some jurisdictions do not allow the exclusion or limitation of special, incidental or consequential damages, or limitations on how long a warranty lasts, so the above exclusion and limitations may not apply to everyone.

Vendor does not authorize any person or company to assume for it any other obligation or liability in connection with the sale, installation, use, removal, return, or replacement of its equipment, and no such representations are binding on Vendor.

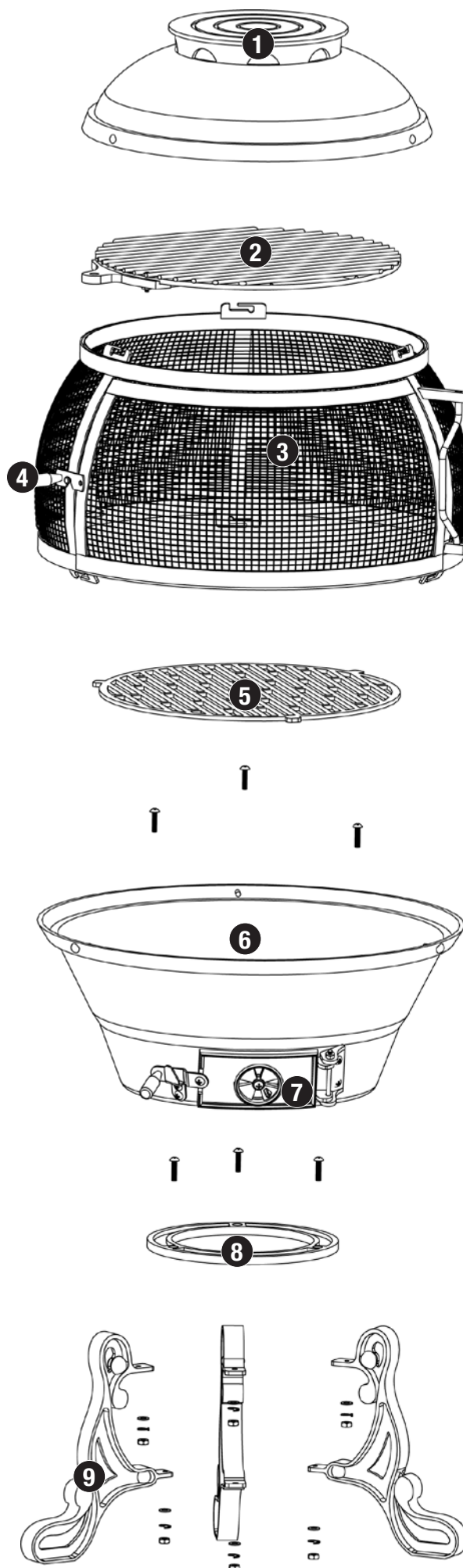
Blue Rhino Global Sourcing, LLC
Winston-Salem, North Carolina 27104 USA
(800) 762-1142

CustomerService@bluerhino.com

Exploded View

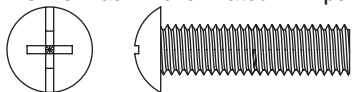
1. Top
2. Cooking Grid
3. Spark Guard
4. Handle**
5. Charcoal Grid
6. Bowl
7. Ash Door**
8. Leg Plate Ring
9. Leg (3)
10. Cover*

* Not Shown
 ** Pre-Assembled.

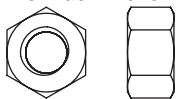


Hardware

A. Screw 6 pcs
 M6x25 Black Nickel Plated Phillips Truss Head Screw



B. Nut 6 pcs
 M6 Black Nickel Plated Hex Nut



C. Washer 6 pcs
 M6 Black Nickel Plated Washer

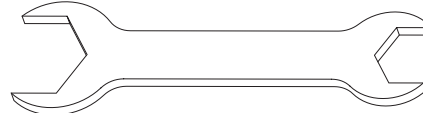


D. Lock Washer 6 pcs
 M6 Black Nickel Plated Lock Washer

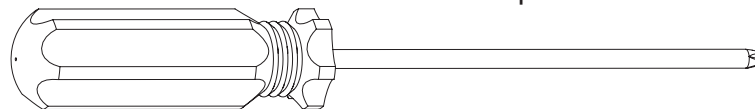


Tools Included:

E 2 Sided Wrench*** 1 pc



F. Screwdriver*** 1 pc



***Not shown at actual size.

Vista de explosión

1. Tapa

2. Parrilla de cocción

3. Resguardo contra chispas

4. Manija**

5. Rejilla para briquetas

6. Cuenco

7. Puerta para ceniza**

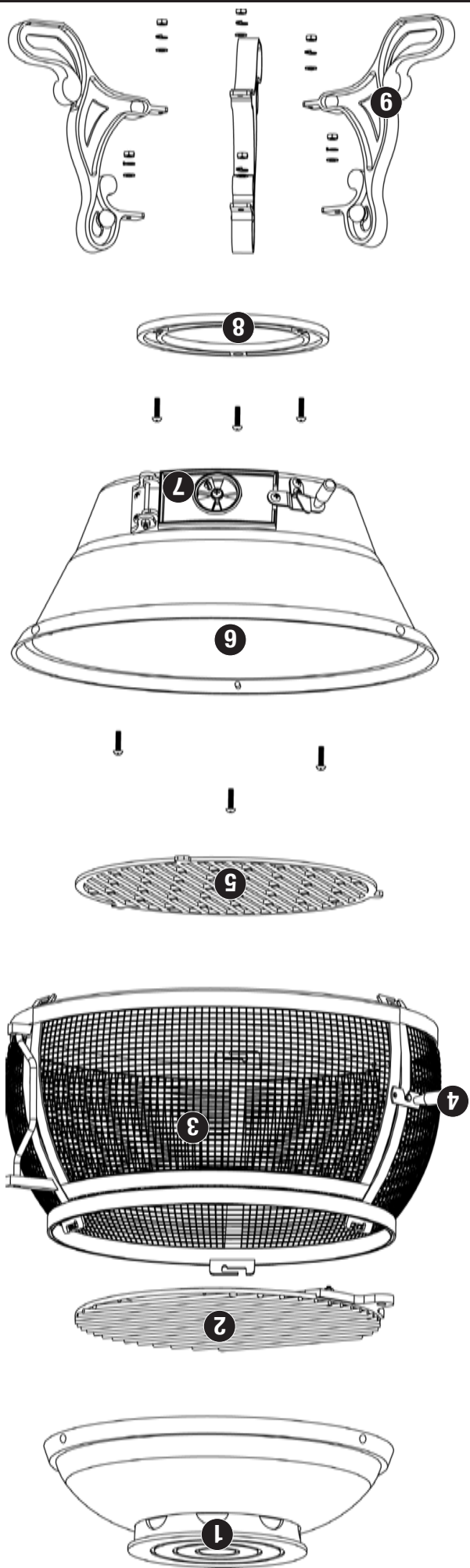
8. Anillo de placa para pata

9. Pata (3)

10. Funda protectora*

* No se muestra en el diagrama

** Viene ensamblado



Elementos de ferretería

A. Tornillo
Tornillo niquelado negro Phillips de cabeza abombada M6X25
6 pzs

B. Tuerca
Tuerca hexagonal niquelada negra M6
6 pzs

C. Arandela
Arandela niquelada negra M6
6 pzs

D. Arandela de cierre
Arandela de cierre niquelada negra M6
6 pzs

Herramientas incluidas

E. Llave de tuercas de 2 cabezas***
1 pz

F. Destornillador***
1 pz

*** No se muestra a tamaño real



Instrucciones de operación



ADVERTENCIA PARA SU SEGURIDAD:

Antes de usar este hogar al aire libre, asegúrese de haber leído y entendido completamente las importantes Precauciones que se presentan en la página 2. Siga estas instrucciones completamente pues la falla en seguir las puede causar daños a la propiedad, serias lesiones y aún la muerte.

Encendido

1. Verifique que únicamente ha quedado una pequeña cantidad de ceniza en el fondo del cuenco.
 2. Coloque una capa de leña menuda seca o un material natural para encender el fuego, tal como Fatwood™, en el centro de la rejilla.
 3. Coloque encima una capa de leña seca cortada en longitudes no mayores de 3/4 del diámetro del cuenco.
 4. Use una cerilla para encender la leña menuda o el material para encender el fuego.
 5. Use el gancho y guantes resistentes al calor para volver a colocar el resguardo contra chispas una vez que la leña menuda o el material de encendido han quedado prendidos.
- Usted puede necesitar mover los leños o agregar leños para obtener un funcionamiento ideal.

NO coloque un resguardo contra chispas o herramientas calientes sobre el césped, sobre terrazas de madera o muebles.

1. Use el gancho y guantes resistentes al calor para retirar cuidadosamente el resguardo contra chispas.
2. Usando un accesorio de chimenea de mango largo, mueva leños y brasas para permitir un flujo adicional de aire.
3. NO vierta gasolina, kerosén, aceite diesel, líquido para encendedores o alcohol para volver a encender o aumentar un fuego que se extingue.
4. Espere hasta que el fuego se haya convertido en brasas antes de agregar más leña. Si se necesita más leña coloque la leña encima de las brasas. Tenga cuidado de no mover la ceniza.
5. Use el gancho y guantes resistentes al calor para volver a colocar el resguardo contra chispas.

Cuidado del fuego

Esta garantía limitada reemplaza cualquier otra garantía. El fabricante no asume ninguna responsabilidad por garantías vendidas por quienes no sean distribuidores o vendedores al detal autorizados. Esta exención de responsabilidad incluye cualquier garantía de comerciabilidad o la garantía de aptitud para un propósito en particular. EL FABRICANTE NO SE HACE RESPONSABLE POR NINGUNA GARANTIA IMPLICITA INCLUYENDO, SIN LIMITACIONES, LAS GARANTIAS IMPLICITAS DE COMERCIABILIDAD Y ADAPTABILIDAD A UN PROPOSITO PARTICULAR. EL FABRICANTE NO ASUME RESPONSABILIDAD ANTE EL COMPRADOR O ANTE CUALQUIER TERCERA PERSONA POR DAÑOS ESPECIALES, INDIRECTOS, PUNITIVOS, INCIDENTALES O CONSECUENCIALES. El fabricante no autoriza a ninguna persona o compañía para asumir por el fabricante cualquier otra obligación a responsabilidad relacionada con la venta, instalación, uso, remoción, devolución o reemplazo de este equipo y cualquier representación de esta unidad.

Esta garantía limitada reemplaza cualquier otra garantía. El fabricante no asume ninguna responsabilidad por garantías vendidas por quienes no sean distribuidores o vendedores al detal autorizados. Esta exención de responsabilidad incluye cualquier garantía de comerciabilidad o la garantía de aptitud para un propósito en particular. EL FABRICANTE NO SE HACE RESPONSABLE POR NINGUNA GARANTIA IMPLICITA INCLUYENDO, SIN LIMITACIONES, LAS GARANTIAS IMPLICITAS DE COMERCIABILIDAD Y ADAPTABILIDAD A UN PROPOSITO PARTICULAR. EL FABRICANTE NO ASUME RESPONSABILIDAD ANTE EL COMPRADOR O ANTE CUALQUIER TERCERA PERSONA POR DAÑOS ESPECIALES, INDIRECTOS, PUNITIVOS, INCIDENTALES O CONSECUENCIALES. El fabricante no autoriza a ninguna persona o compañía para asumir por el fabricante cualquier otra obligación a responsabilidad relacionada con la venta, instalación, uso, remoción, devolución o reemplazo de este equipo y cualquier representación de esta unidad.

Registro del producto

Sírvase registrar su unidad inmediatamente visitando nuestro sitio de internet www.BlueRhino.com o llamando al 1-800-762-1142.

Garantía limitada

Esta Garantía Limitada no cubre fallas o dificultades de operación debidas a accidente, abuso, mal uso, alteración, empleo en usos inapropiados, instalación defectuosa o mantenimiento o servicio inapropiado o falla en la realización de mantenimiento normal y rutinario como se prescribe en este manual del usuario. Además, la garantía limitada no cubre daños al terminado de la unidad, tales como rasguños, abolladuras, descoloridos, oxidaciones y otros daños causados por la intemperie después de la compra de la unidad.

Esta garantía limitada reemplaza cualquier otra garantía. El fabricante no asume ninguna responsabilidad por garantías vendidas por quienes no sean distribuidores o vendedores al detal autorizados. Esta exención de responsabilidad incluye cualquier garantía de comerciabilidad o la garantía de aptitud para un propósito en particular. EL FABRICANTE NO SE HACE RESPONSABLE POR NINGUNA GARANTIA IMPLICITA INCLUYENDO, SIN LIMITACIONES, LAS GARANTIAS IMPLICITAS DE COMERCIABILIDAD Y ADAPTABILIDAD A UN PROPOSITO PARTICULAR. EL FABRICANTE NO ASUME RESPONSABILIDAD ANTE EL COMPRADOR O ANTE CUALQUIER TERCERA PERSONA POR DAÑOS ESPECIALES, INDIRECTOS, PUNITIVOS, INCIDENTALES O CONSECUENCIALES. El fabricante no autoriza a ninguna persona o compañía para asumir por el fabricante cualquier otra obligación a responsabilidad relacionada con la venta, instalación, uso, remoción, devolución o reemplazo de este equipo y cualquier representación de esta unidad.

Almacenamiento

1. Una vez que el fuego se haya apagado, las brasas estén frías y la unidad se sienta suficientemente fría al tacto, remueva la ceniza y descártela de manera apropiada.
 2. Cubra el hogar al aire libre con una cubierta durable de vinilo diseñada para acomodar la unidad.
 3. Guarde la unidad armada en una ubicación alejada de niños y mascotas.
- Nota:* Si no usa cubierta, guarde este hogar al aire libre en una ubicación seca para prolongar la vida del producto.

Limpeza

- Este hogar al aire libre debe inspeccionarse a intervalos regulares para asegurar que su funcionamiento es seguro y prolongar su vida útil.
- No trate de inspeccionar este hogar al aire libre antes de que el fuego se haya apagado COMPLETAMENTE.**
1. Examine las manijas para estar seguro de que continúan firmemente instaladas.
 2. Inspeccione los componentes para detectar señales de daños u oxidación.
 3. Si encuentra que algún componente está dañado, NO opere la unidad antes de haberla reparada.
- Este hogar al aire libre debe limpiarse a intervalos regulares para asegurar su funcionamiento seguro y prolongar su vida útil.
- Nota:* Después de repetido uso, la superficie de metal puede descolorarse un poco.
- NO trate de limpiar este hogar al aire libre antes de que el fuego se haya extinguido COMPLETAMENTE.**
- NO use productos para limpieza de hornos o limpiadores abrasivos pues estos dañan la unidad.**
- NO trate de limpiar ningún componente de este hogar al aire libre en un horno automático de limpieza pues esto daña el terminado de la unidad.**
1. Limpie las superficie exteriores con un detergente suave para el lavado de platos o con soda de hornear.
 2. En superficies donde el detergente o la soda no son suficientes para la limpieza, use un desengrasante a base de cítricos y un cepillo de nylon para fregar.
 3. Enjuague con agua limpia.
 4. Remueva la acumulación de creosota de la tapa y los costados del resguardo de ceniza con un producto de limpieza para chimeneas.

Instrucciones de armado

NO DEVUELVA EL PRODUCTO AL LUGAR DE COMPRA

Si necesita ayuda llame, sin cargo, al 1.800.762.1142. Por favor tenga a mano su manual, para referencia.

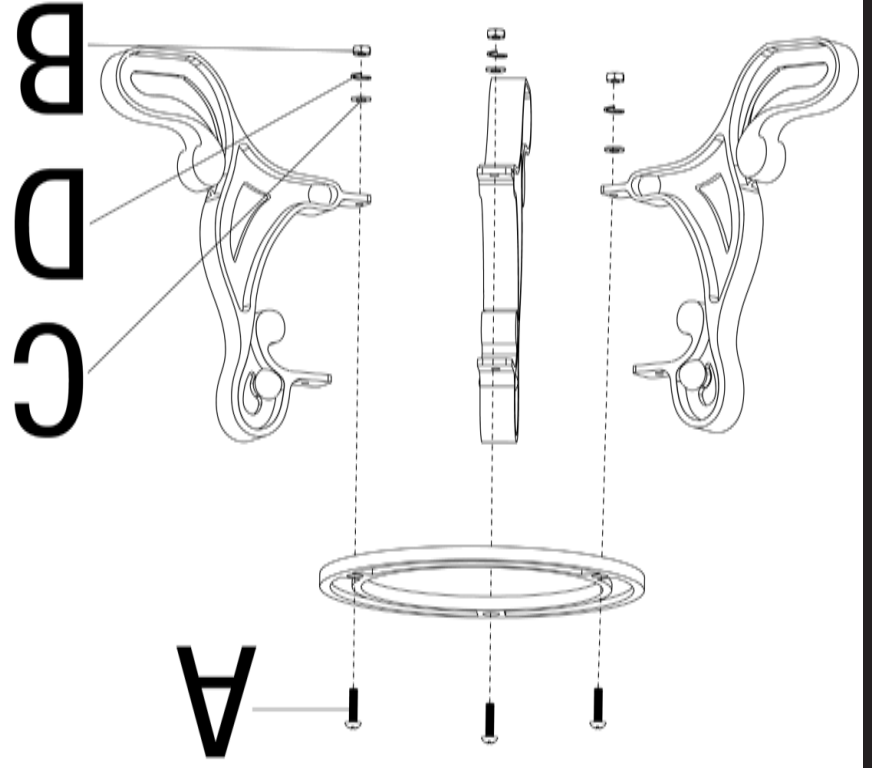
Para facilitar el armado:

- Evite la pérdida de componentes pequeños o elementos de ferretería, armando el producto en un lugar de piso plano sin aberturas ni hendiduras.
- Despeje un área suficientemente grande para disponer todos los componentes y los elementos de ferretería.
- Cuando sea del caso, apriete a mano, en un principio, las conexiones de ferretería. Una vez que ha terminado el paso, apriete completamente todos los elementos de ferretería.
- Siga todos los pasos en el orden indicado para armar debidamente esta unidad.

Paso 1

Arme las patas

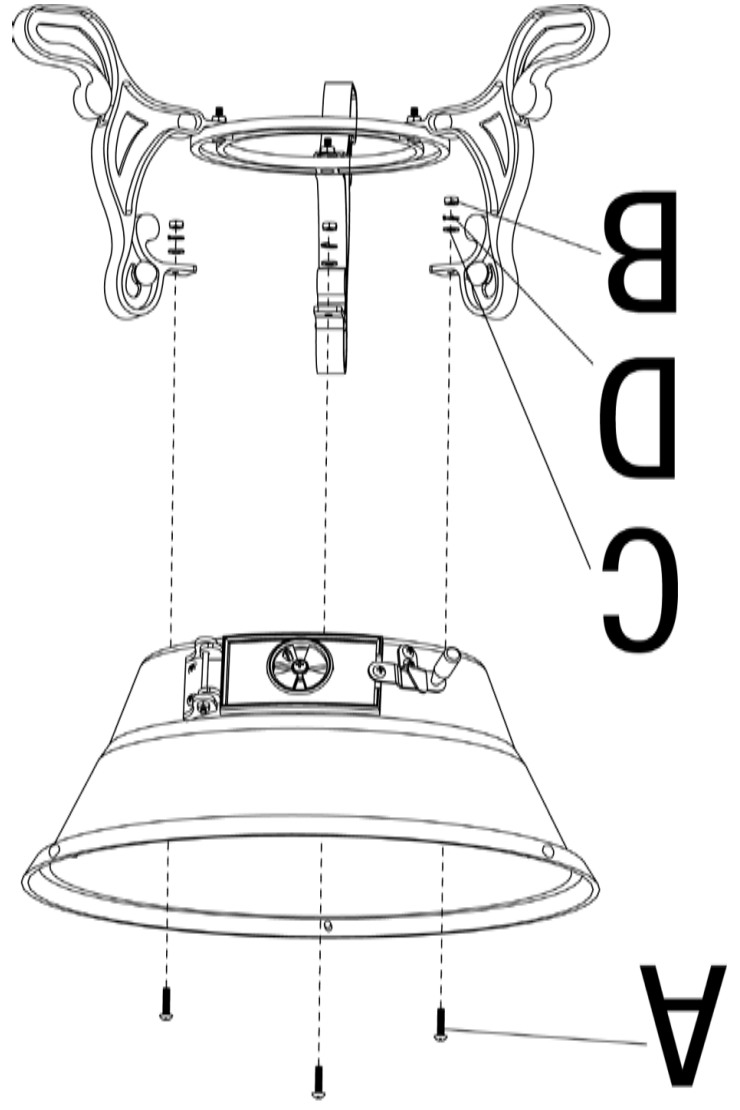
Fije las patas en el anillo de plancha para pata, usando 3 juegos de tornillos (A), arandelas (C), arandelas de cierre (D) y tuercas (B).



Paso 2

Instale el cuenco.

Instale el cuenco en las patas usando 3 juegos de tornillos (A), arandelas (C), arandelas de cierre (D) y tuercas (B).

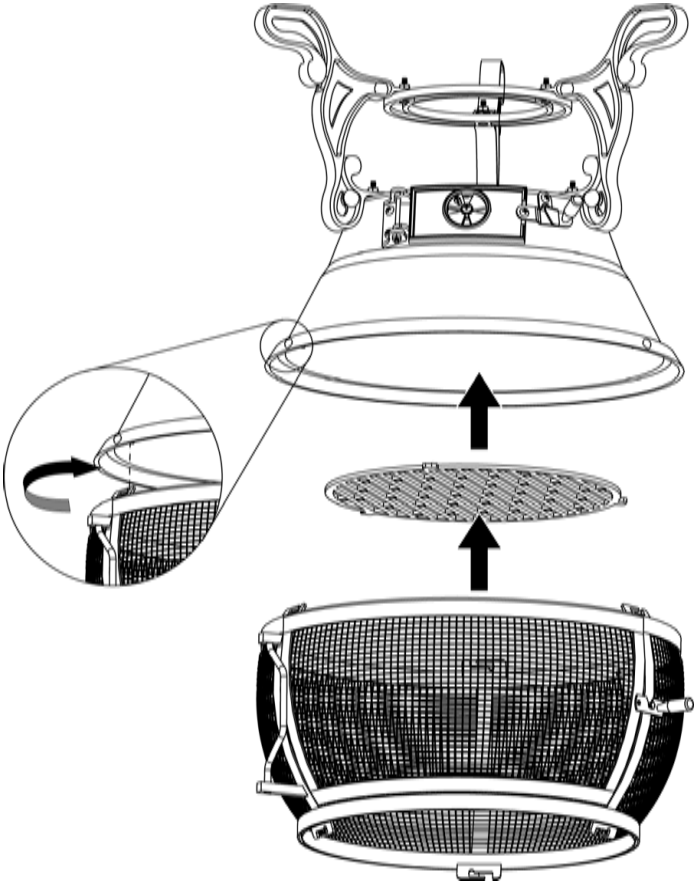


Paso 3

Coloque la rejilla para briquetas y el resguardo contra chispas

A. Coloque la rejilla para briquetas dentro del cuenco.

B. Coloque el resguardo contra chispas dentro del cuenco y gírelo a la izquierda para asegurarlo.

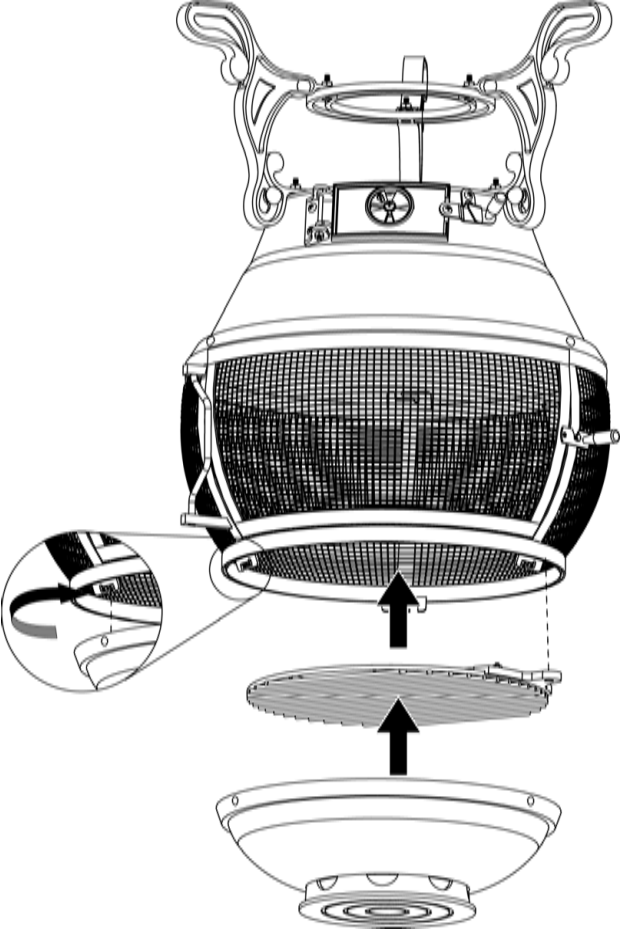


Paso 4

Instale la parrilla de cocción y la tapa

A. Coloque la parrilla de cocción en la clavija en el lado interno del resguardo contra chispas.

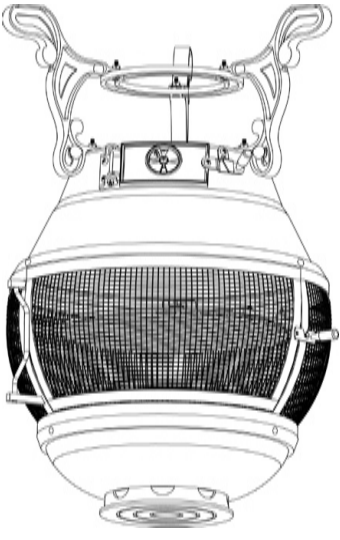
B. Coloque la tapa sobre el resguardo contra chispas y gírela hacia la izquierda para asegurarla.



Paso 7

Trabajo terminado

Felicitaciones, el armado ha terminado. Lea las instrucciones de operación antes de seguir adelante.





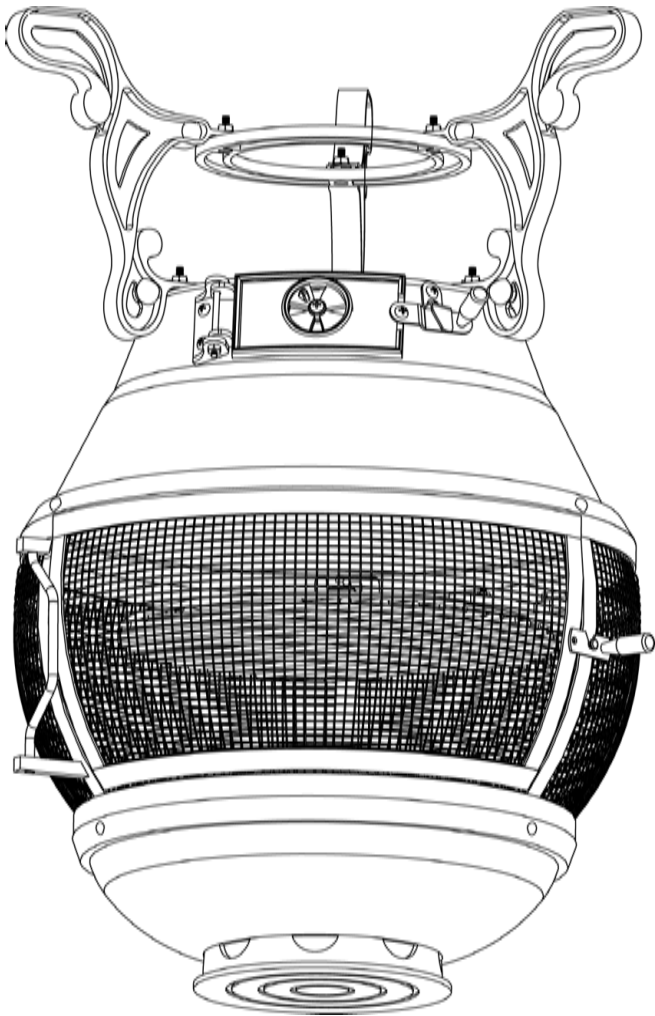
ADVERTENCIA
PARA SU SEGURIDAD:

1. Esta unidad es para ser usada al aire libre únicamente y NO debe usarse en un edificio, garaje o cualquier otra área cerrada.
2. NO use este hogar al aire libre para calentar el ambiente en interiores. Los gases TÓXICOS de monóxido de carbono pueden acumularse y provocar la asfixia.
3. Este hogar al aire libre NO ha sido diseñado para uso comercial.
4. El hogar al aire libre NO debe ser usado por los niños.
5. NO utilice este hogar al aire libre en embarcaciones o vehículos de recreo.
6. Observe siempre y use la unidad cumpliendo todos los códigos de incendio aplicables, locales y nacionales. Obtenga de su Departamento de Incendios local detalles en cuanto a quemas al aire libre.
7. Al usar este hogar al aire libre, observe las mismas precauciones que merece cualquier fuego abierto.
8. El uso de bebidas alcohólicas, medicamentos o drogas de farmacia puede afectar la habilidad del usuario para armar debidamente u operar en forma segura este hogar al aire libre.
9. NO encienda este hogar al aire libre sin haber leído completamente todas las instrucciones de este manual del usuario.
10. Use siempre leña seca para quemar, que quemar a mayor temperatura, en forma más completa, y que produce menos humo con este hogar al aire libre.
11. NO quemar briquetas de carbón de leña, carbón, leños de madera aglomerada, madera de deriva, basura, hojas, cartón o pedazos de madera como pino o cedro pues estas maderas hacen saltar chispas.
12. NO altere este hogar al aire libre de ninguna forma.
13. NO utilice el hogar al aire libre a menos que esté COMPLETAMENTE montado y que todas las piezas estén bien fijadas y apretadas.
14. NO guarde o use gasolina u otros líquidos o vapores inflamables cerca de esta unidad o de cualquier otro aparato.
15. NO use o guarde un tanque de gas propano líquido en un radio inferior a 10 pies (3,05 metros) de este hogar al aire libre.
16. NO use este hogar al aire libre cerca de automóviles, camiones, furgones o vehículos de recreo.
17. NO utilice esta unidad en una atmósfera explosiva. Escija una zona para el hogar al aire libre alejada de materiales combustibles, gasolina y cualquier otro vapor o líquido inflamable.
18. NO use este hogar al aire libre debajo de aleros o cerca de construcciones combustibles que no estén debidamente protegidas. Evite usar el hogar al aire libre cerca o debajo de árboles y arbustos.
19. Coloque siempre el hogar al aire libre sobre superficies firmes y niveladas no combustibles tales como las de hormigón, ladrillo o piedra. Una superficie de asfalto o de pavimento puede que no sea adecuada para este propósito. NO use esta unidad sobre plataformas y terrazas de madera.
20. Siempre vacíe el hogar al aire libre después de haberlo usado.
21. NO use ropa inflamable o floja cuando usa el hogar al aire libre.

22. NO utilice el hogar si hace mucho viento.
23. NO utilice el hogar al aire libre sin haber instalado los reguardos contra chispas.
24. NO use gasolina, kerosén, combustibles de diesel, líquidos para encender carbón o alcohol para encender o volver a encender el hogar al aire libre.
25. Mantenga todos los cables eléctricos lejos de un hogar al aire libre si está caliente.
26. Cuando el hogar al aire libre se usa, las superficies estarán calientes. NO toque el hogar al aire libre hasta que no se haya enfriado completamente para evitar quemaduras, a menos que usted tenga puestos elementos de protección tales como guantes o almohadilla para las ollas, manoplas, guantes de barbacoa, etc. Nunca toque las cenizas o las brazas para determinar si están calientes.
27. NO deje un hogar al aire libre encendido sin vigilancia, especialmente si hay niños o mascotas presentes.
28. NO intente mover o guardar el hogar al aire libre antes de que las cenizas y las brazas se hayan completamente enfriado y apagado.
29. NO quite las cenizas o las brasas antes de que se hayan completamente enfriado y apagado.
30. Use guantes y almohadillas resistentes al calor cuando deba manejar las manijas.
31. Use accesorios de chimenea largos y fuertes cuando deba agregar o mover los leños.
32. NO coloque leña directamente en el fondo del hogar para exteriores. Coloque los leños únicamente en la rejilla.
33. NO recargue el hogar al aire libre. No le agregue leña antes de que las llamas se hayan extinguido. AVISO: Si cualquier parte del hogar al aire libre se nota enrojecida es señal de que la unidad se ha sobrecargado.
34. NO se apoye sobre el hogar al aire libre cuando lo está encendiendo o usando.
35. NO coloque un resguardo contra chispas o herramientas calientes sobre el césped, sobre terrazas de madera o muebles.
36. Evite respirar el humo del fuego y evite que le llegue a los ojos.
37. Este hogar al aire libre debe limpiarse y verificarse completamente de manera regular.
38. Después de un periodo de almacenamiento o de haber dejado de usar la unidad por algún tiempo, revise que no haya señales de daños o acumulación de creosota. NO opere la unidad antes de hacer las reparaciones requeridas o realizar la limpieza necesaria.
39. Use únicamente piezas autorizadas de fábrica de Blue Rhino Global Sourcing, LLC. El uso de cualquier pieza no autorizada de fábrica puede ser peligroso. Su uso invalida su garantía. Llame al 1.800.762.1142.
40. El no seguir exactamente las instrucciones dadas arriba puede producir daños a la propiedad, lesiones serias y hasta fatales.

Hogar al aire libre

Modelo n° 252207




Índice

2	Salvaguardias importantes
3	Instrucciones de armado
4	Instrucciones de operación
4	Encendido
4	Cuidado del fuego
4	Apagado del hogar al aire libre
4	Limpieza y cuidado
4	Inspección
4	Limpieza
4	Almacenamiento
4	Registro del producto
4	Garantía limitada
	Diagrama de explosión y elementos de ferretería
	Apéndice A

ADVERTENCIA

PARA SU SEGURIDAD:

Solamente Para Uso En Exteriores
(fuera de cualquier recinto)



ADVERTENCIA

PARA SU SEGURIDAD:

- Una instalación, ajuste, alteración, reparación o mantenimiento inadecuados puede causar lesiones o daños a la propiedad.
- Lea atentamente las instrucciones de instalación, funcionamiento y mantenimiento del equipo antes de instalarlo, ponerlo en marcha o darle servicio.
- El no seguir estas instrucciones puede ocasionar un incendio o una explosión, con sus consecuentes daños a la propiedad, lesiones personales y hasta accidentes fatales.

Conserve estas instrucciones para futuras consultas. Si esta montando esta unidad para otra persona, entéguele este manual para futuras consultas.

Fabricado en China para:
Blue Rhino Global Sourcing, LLC
Winston-Salem, NC 27104 EE.UU.
1.800.762.1142, www.bluerhino.com

© 2006 Blue Rhino Global Sourcing, LLC. Todos los derechos reservados.
UniFlame® es una marca registrada de Blue Rhino Global Sourcing, LLC. Todos los derechos reservados.

Free Manuals Download Website

<http://myh66.com>

<http://usermanuals.us>

<http://www.somanuals.com>

<http://www.4manuals.cc>

<http://www.manual-lib.com>

<http://www.404manual.com>

<http://www.luxmanual.com>

<http://aubethermostatmanual.com>

Golf course search by state

<http://golfingnear.com>

Email search by domain

<http://emailbydomain.com>

Auto manuals search

<http://auto.somanuals.com>

TV manuals search

<http://tv.somanuals.com>