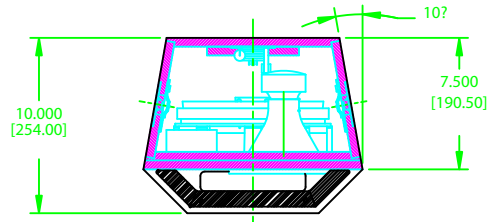
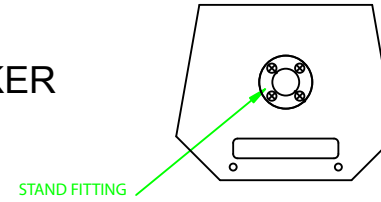


AE-3s2 LOUDSPEAKER

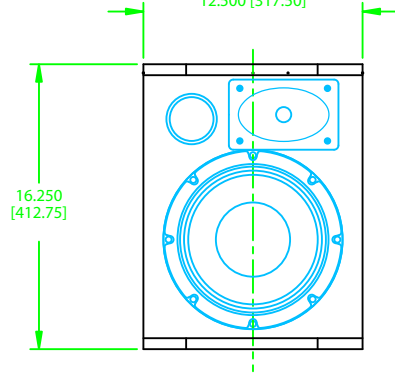
OVERHEAD VIEW
W/TOP REMOVED



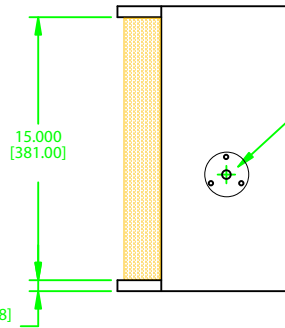
BOTTOM VIEW



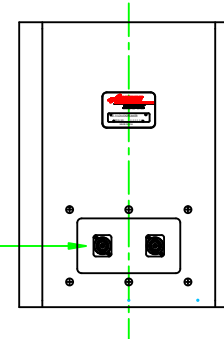
12.500 [317.50]



FRONT VIEW
W/GRILL REMOVED



CONNECTOR PANEL



NOTE: DIMENSIONS ARE IN INCHES & [MILLIMETERS]

<small>INFORMATION CONTAINED IN THIS DOCUMENT IS THE SOLE PROPERTY OF APOGEE SOUND INTERNATIONAL, LLC. REPRODUCTION OF ALL OR ANY PART OF THIS DOCUMENT WITHOUT WRITTEN CONSENT FROM APOGEE SOUND INTERNATIONAL, LLC IS PROHIBITED.</small>	NOT TO SCALE					
	SCALE	1/3	DRAWN		WWE	8/26/99
	PRODUCT NUMBER:	100-3110	SIZE	D	DRAWING NO.	ZAE-3
			REVISION	A		AE-3s2 LOUDSPEAKER

Free Manuals Download Website

<http://myh66.com>

<http://usermanuals.us>

<http://www.somanuals.com>

<http://www.4manuals.cc>

<http://www.manual-lib.com>

<http://www.404manual.com>

<http://www.luxmanual.com>

<http://aubethermostatmanual.com>

Golf course search by state

<http://golfingnear.com>

Email search by domain

<http://emailbydomain.com>

Auto manuals search

<http://auto.somanuals.com>

TV manuals search

<http://tv.somanuals.com>